



Installation Guide

Quality, Design and Innovation



home.liebherr.com/fridge-manuals





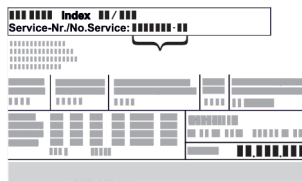


LIEBHERR



General safety instructions

Contents

1	General safety instructions.....	2
2	Installation requirements.....	3
2.1	Installation site.....	3
2.2	Position in space.....	3
3	Appliance dimensions.....	3
4	Transporting the appliance.....	3
4.1	Transporting the appliance for initial use.....	4
4.2	Transporting the appliance after initial use.....	4
5	Unpacking the appliance.....	4
6	Removing transport lock.....	4
7	Installing door handle*.....	4
8	Installing door handle*.....	4
9	Installing appliance.....	4
10	Setting up the appliance so it is level.....	5
11	Installing multiple appliances.....	5
12	After installation.....	5
13	Disposing of packaging.....	5
14	Reversing the door opening direction.....	5
15	Aligning the door.....	14
16	Connecting the appliance to the power supply....	15

The manufacturer is continually working on the further development of all types and models. Please be aware that we reserve the right to make changes to the shape, equipment and technology.

Symbol	Explanation
	<p>Read instructions</p> <p>Please read the information in these instructions carefully to understand all of the benefits of your new appliance.</p>
	<p>Additional information on the Internet</p> <p>The digital manual with additional information and in other languages can be found via the QR code on the front of the manual or by entering the service number at home.liebherr.com/fridge-manuals.</p> <p>The service number can be found on the serial tag:</p>  <p style="text-align: center;"><i>Fig. Example illustration</i></p>
	<p>Check appliance</p> <p>Check all parts for transport damage. If you have any complaints, please contact your agent or customer service.</p>
	<p>Differences</p> <p>These instructions apply to a range of models, so differences are possible. Sections that apply to certain models only are marked with an asterisk (*).</p>

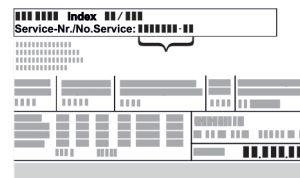
Symbol	Explanation
	<p>Instructions and results</p> <p>Instructions are marked with a ▶.</p> <p>Results are marked with a ▷.</p>
	<p>Videos</p> <p>Videos about the appliances are available on the YouTube channels of Liebherr-Hausgeräte.</p>

Open source licences:




The appliance contains software components that use open source licences. Information on the open source licences used can be found here: home.liebherr.com/open-source-licences

1 General safety instructions

- Please keep this assembly manual in a safe place so you can refer back to it at any time.
- If you pass the appliance on, please hand this assembly manual to the next user.
- Read this assembly manual carefully before installation and use to ensure safe and correct use of the appliance. Follow the instructions, safety instructions and warning messages included at all times. They are important for ensuring you can operate and install the appliance safely and without any problems.
- First read the general safety instructions in the “General safety instructions” section of the **operating instructions**, which accompany these installation instructions, and follow them. If you cannot find the **operating instructions**, you can download the **operating instructions** from the internet by entering the service number at home.liebherr.com/fridge-manuals. The service number can be found on the serial tag:



- **Observe the warning messages and other detailed information in the other sections when installing the appliance:**

	DANGER	identifies a situation involving direct danger which, if not obviated, may result in death or severe bodily injury.
	WARNING	identifies a dangerous situation which, if not obviated, may result in death or severe bodily injury.
	CAUTION	identifies a dangerous situation which, if not obviated, may result in minor or medium bodily injury.
	NOTICE	identifies a dangerous situation which, if not obviated, may result in damage to property.
	Note	identifies useful instructions and tips.

2 Installation requirements

The installation conditions are crucial to ensure that you can operate your appliance safely, efficiently and without problems.

- Observe all safety instructions.
- Consider the location and position in the room.



WARNING

Danger of fire due to incorrect positioning!

- ▶ Make sure the mains cable is not trapped under the appliance when you position the appliance.
- ▶ Position the appliance so that it does not touch the plug or mains cable.
- ▶ Do not connect any appliances to sockets in the area of the back of the appliance.
- ▶ Do **not** place and operate multi-sockets/power distributors and other electronic devices (such as halogen transformers) at the back of the appliances.



WARNING

Fire hazard due to dampness!

If live parts or the mains lead become damp this may cause short circuits.

- ▶ The appliance is designed for use in enclosed areas. Do not operate the appliance outdoors or in areas where it is exposed to splash water or damp conditions.



WARNING

Leaking coolant and oil!

Fire. The coolant contained in the appliance is eco-friendly, but also flammable. The oil contained in the appliance is flammable. Escaping coolant and oil can ignite if the concentration is high enough and in contact with an external heat source.

- ▶ Do not damage the pipelines of the coolant circuit and the compressor.

2.1 Installation site

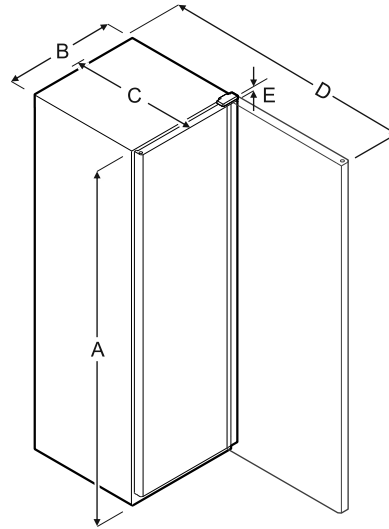
- Only set up and use the appliance in enclosed spaces.
- A dry and well-ventilated room is an optimum installation location.
- If the appliance is installed in a very damp environment, condensation may form on the appliance exterior. Always make sure there is good ventilation and aeration at the installation site.
- The more refrigerant there is in the appliance, the larger the room must be in which it is located. In rooms that are too small, a leak can produce a flammable gas/air mixture. For every 8 g of refrigerant, the installation room must be at least 1 m³ in size. Information on the refrigerant contained is given on the type plate inside the appliance.
- The floor on which the appliance stands must be horizontal and level.

2.2 Position in space

- Do not place the appliance in direct sunlight or near radiators or similar sources of heat.
- You can place the appliance directly next to an oven.
- If the appliance is placed directly next to an oven, the energy consumption may increase slightly. This is dependent on the service life and usage intensity of the oven.

- Always position the appliance with the rear directly on the wall.
- Use in hazardous areas is not permitted.

3 Appliance dimensions



	A	B	C	D	E
WPbl 4201	1284 mm	600 mm	763 mm	1323 mm	23 mm
WSbl 4201					
WPbl 4601	1484 mm	600 mm	763 mm	1323 mm	23 mm
WSbl 4601					
WPbl 5001					
WPbli 5031	1684 mm	600 mm	763 mm	1323 mm	23 mm
WSbl 5001					
WSbli 5031					
WPbl 5231					
WPbli 5231	1884 mm	600 mm	763 mm	1323 mm	23 mm
WSbl 5231					
WSbl 7731	2044 mm	750 mm	763 mm	1473 mm	23 mm
WSbli 7731					

A = appliance height including feet/castors/hinges

B = appliance width without handle

C = appliance depth without handle

D = appliance depth with door open

E = hinge height

4 Transporting the appliance



WARNING

Risk of injury due to broken glass!*

When transporting at an altitude of more than 1500 m, the glass panes of the door may break. This can result in sharp-edged fragments, which can cause serious injuries.

- ▶ Take appropriate protective action.

Unpacking the appliance

4.1 Transporting the appliance for initial use

Ensure that the following requirements are met:

- The appliance is packaged.
- The appliance is upright.
- ▶ Transport the appliance with the help of two people.
- ▶ Unpacking the appliance. (see 5 Unpacking the appliance)

4.2 Transporting the appliance after initial use

Observe the following instructions if you wish to transport or move the appliance again after initial use.

Ensure that the following requirements are met:

- The appliance is emptied.
- The appliance is upright.
- Appliance with door(s): Door is secured against accidental opening.
- Appliance with telescopic unit: The telescopic unit is secured against accidental opening.
- Appliance with adjustable feet: Adjustable feet are screwed in.
- ▶ Transport the appliance with the help of two people.

After transport:

- ▶ Unscrew the adjustable feet on the appliance.
- ▶ Align the appliance.

5 Unpacking the appliance

Before you connect the appliance, report any damage immediately to the delivery company.

- ▶ Check the appliance and the packaging for damage during transport. Contact the supplier immediately if you suspect any level of damage.
- ▶ Remove all materials from the back or the side walls of the appliance that may prevent proper installation or ventilation.
- ▶ Remove all protective films from the appliance. Do not use sharp or pointed objects for this.

6 Removing transport lock

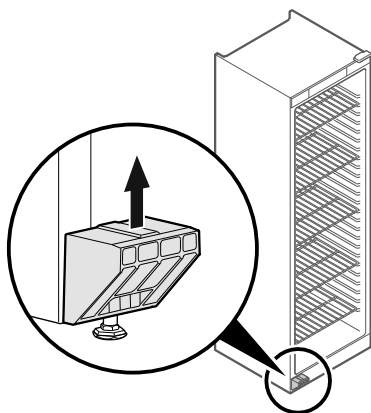


Fig. 1

- ▶ Remove transport lock in upwards direction.
- ▶ Base holder remains on the appliance.

7 Installing door handle*

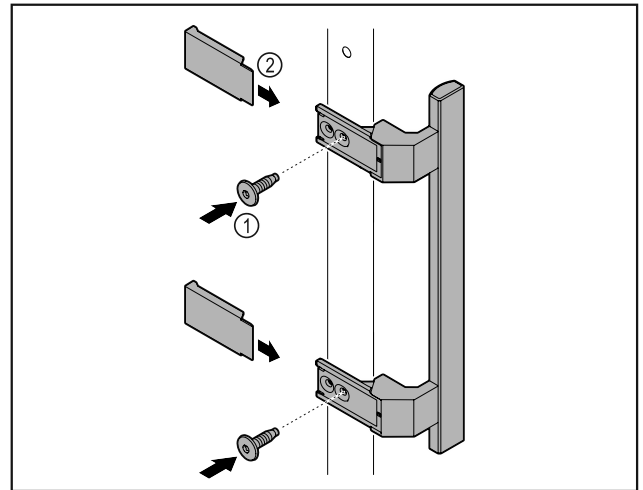


Fig. 2

- ▶ Attach handle from accessory kit to the door using the screws Fig. 2 (1) supplied.
- ▶ Put on cover Fig. 2 (2).
- ▶ Insert the plug from the accessory pack on the opposite side.*

8 Installing door handle*

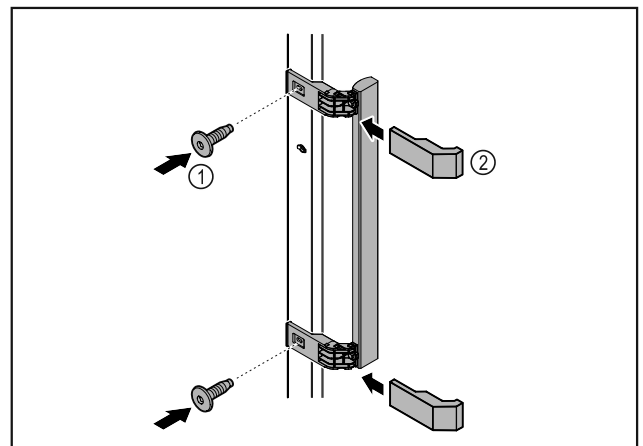


Fig. 3

- ▶ Attach handle from accessory kit to the door using the screws supplied Fig. 3 (1).
- ▶ Put on cover Fig. 3 (2).
- ▶ Insert the plug from the accessory pack on the opposite side.*

9 Installing appliance



CAUTION

Risk of injury and damage.

- ▶ Use 2 people to install appliance.



CAUTION

Risk of injury and damage.

The door can knock against the wall and become damaged as a result. In the case of glass doors, the damaged glass can cause injuries.

- ▶ Protect the door from knocking against the wall. Attach door stopper, e.g. felt stopper, to the wall.

Setting up the appliance so it is level

- ▶ Connect all necessary components (e.g. mains cable) to the back of the appliance and route to the side.

Note

Cables can be damaged.

- ▶ Do not jam the cable when pushing the appliance back.

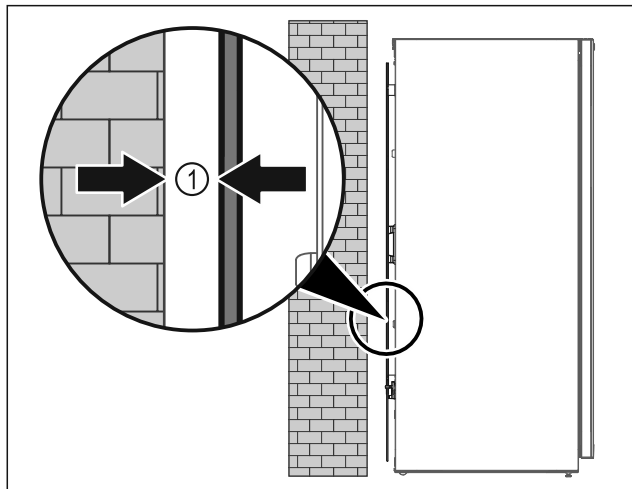


Fig. 4

- ▶ Set up the appliance either free-standing or directly against a wall at a minimum distance of 5 mm Fig. 4 (1).

10 Setting up the appliance so it is level

NOTICE

Appliance body is deformed and door does not close.

- ▶ Align appliance horizontally and vertically.
- ▶ Compensate for uneven floors using adjustable feet.



WARNING

Incorrect height adjustment of the adjustable foot! Can cause severe or even fatal injury. Incorrect height adjustment can cause the bottom part of the adjustable foot to come loose and the appliance to tip over.

- ▶ Do not unscrew the adjustable foot too far.

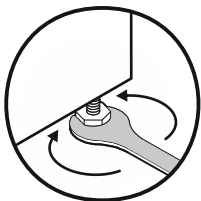


Fig. 5

Raising appliance:

- ▶ Turn adjustable foot clockwise.

Lowering appliance:

- ▶ Turn adjustable foot anticlockwise.

11 Installing multiple appliances

NOTICE

Risk of damage due to condensation between the side walls.

- ▶ Do not install the appliance directly next to another fridge.
- ▶ Install appliances with a space 3 cm between appliances.
- ▶ Only install multiple appliances up to temperatures of 35 °C and 65% humidity next to one another.
- ▶ At higher levels of humidity, increase space between appliances.

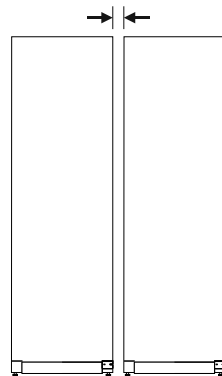


Fig. 6 Side-by-side installation

Note

A side-by-side kit is available as an accessory via Liebherr Customer Service.

12 After installation

- ▶ Peel off the protective films. *
- ▶ Clean appliance.
- ▶ If necessary: Disinfect the appliance.
- ▶ Keep the invoice so you have the appliance and dealer information available if needed.

13 Disposing of packaging



WARNING

Danger of suffocation due to packing material and plastic film!

- ▶ Do not allow children to play with packing material.

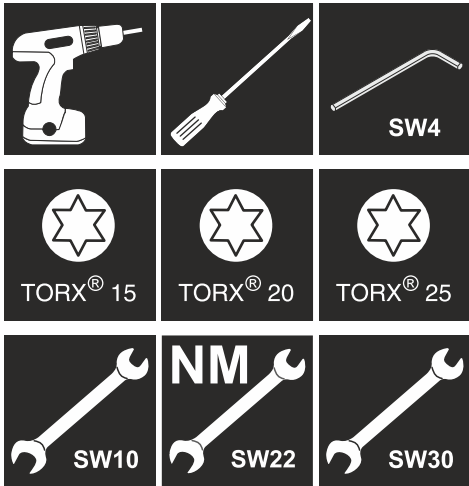
The packaging is made of recyclable materials:

- corrugated board/cardboard
 - expanded polystyrene parts
 - polythene bags and sheets
 - polypropylene straps
 - nailed wooden frame with polyethylene panel*
- ▶ Take the packaging material to an official collecting point.

14 Reversing the door opening direction

Tools

Reversing the door opening direction



WARNING

Risk of injury if the door is not reversed correctly!
 ► Replace the door hinge with specialist personnel.



WARNING

Risk of injury and material damage due to heavy door!
 ► Only perform the conversion if you can carry a weight of 25 kg.
 ► Always have someone help you carry out the conversion.

NOTICE

Live parts!
 Damage to electrical components.
 ► Remove the mains plug before you reverse the door.
 ► Open the door.

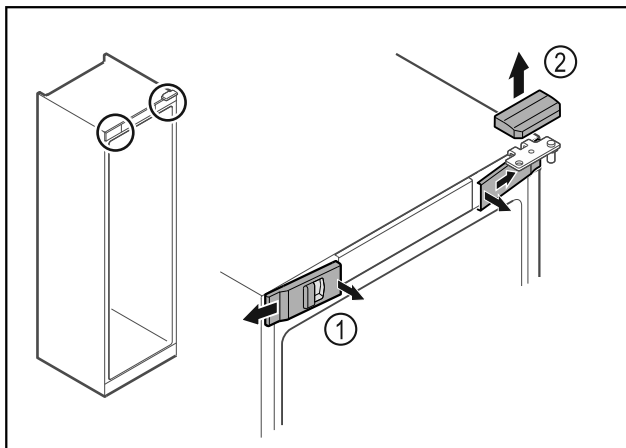


Fig. 7*

- Unlatch the front covers Fig. 7 (1) on the inside and remove them sideways.*
- Lift off the upper cover Fig. 7 (2).*

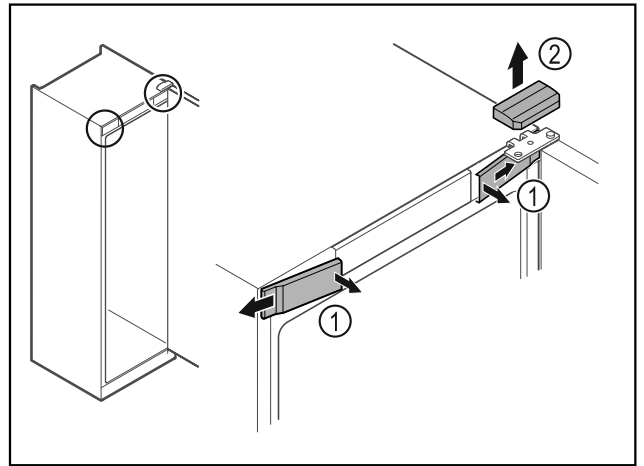


Fig. 8*

- Unlatch the front covers Fig. 8 (1) on the inside and remove them sideways.*
- Lift off the upper cover Fig. 8 (2).*

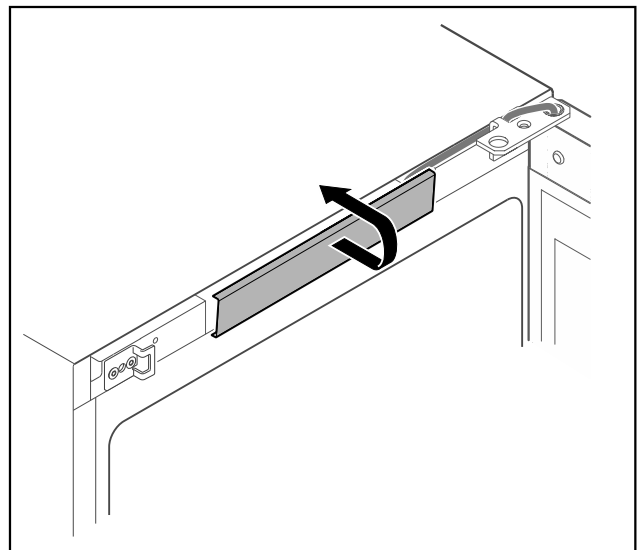


Fig. 9

- Unlatch the middle cover and remove it.

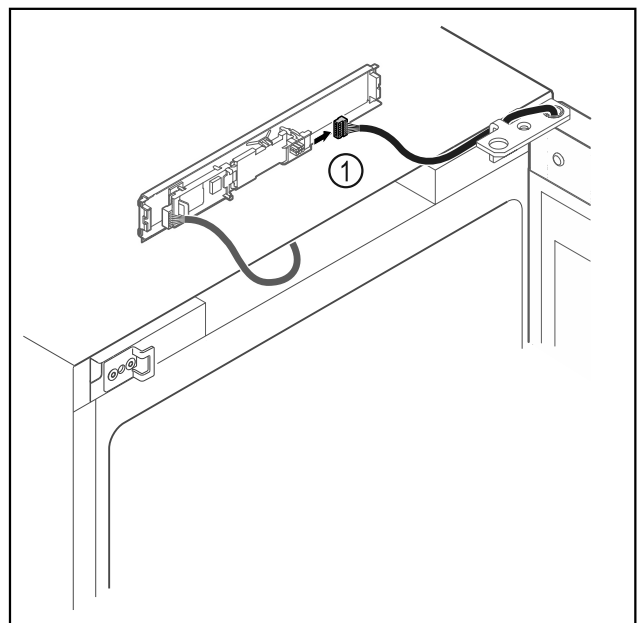


Fig. 10

- Disconnect the plug Fig. 10 (1) from the circuit board.

Reversing the door opening direction

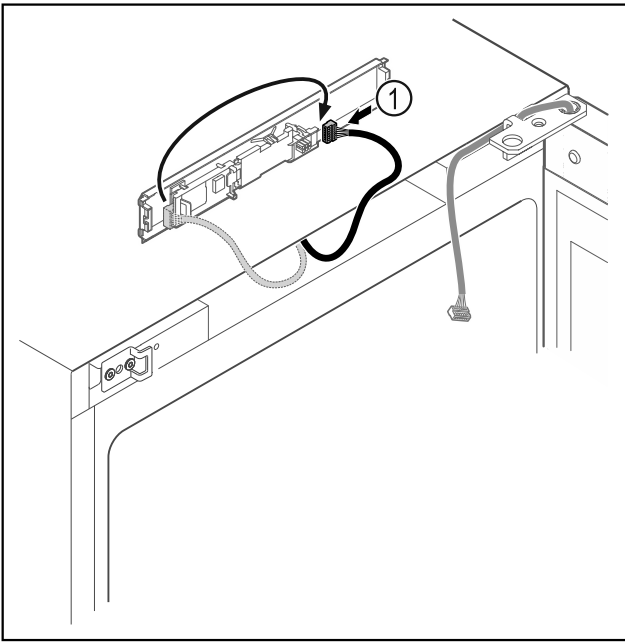


Fig. 11

- ▶ Connect the plug Fig. 11 (1) to the circuit board.

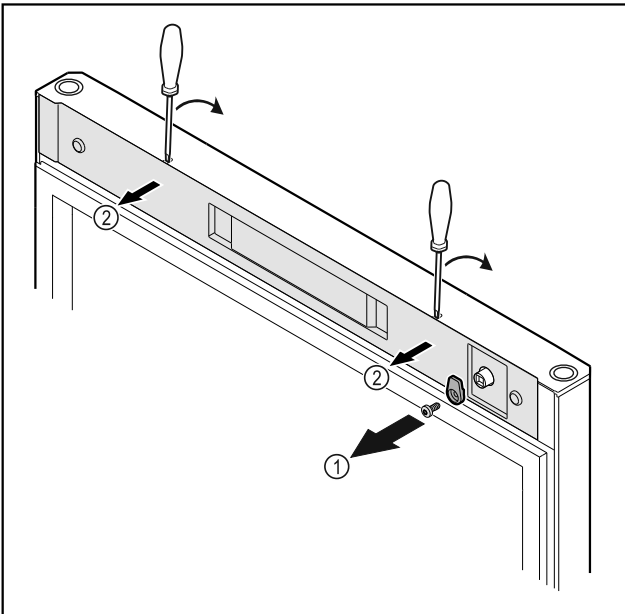


Fig. 12 *

- ▶ Unscrew the door latch Fig. 12 (1)*
- ▶ Unlatch the cover Fig. 12 (2) with a small screwdriver and remove it.*

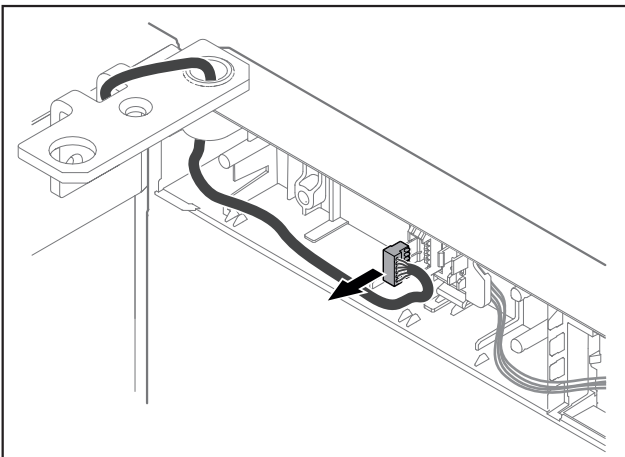


Fig. 13

- ▶ Remove the plug from the plug holder.
- or-

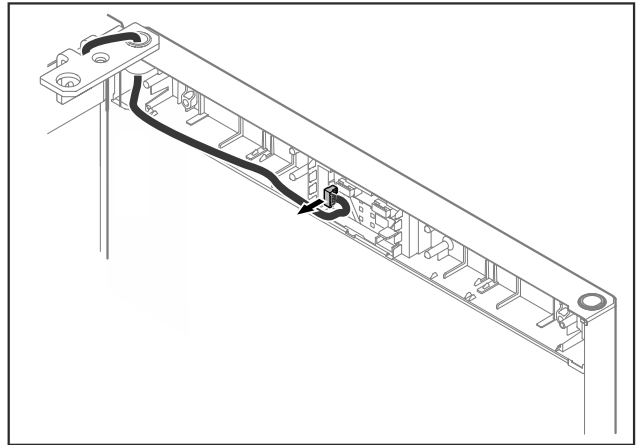


Fig. 14

- ▶ Remove the plug from the circuit board.

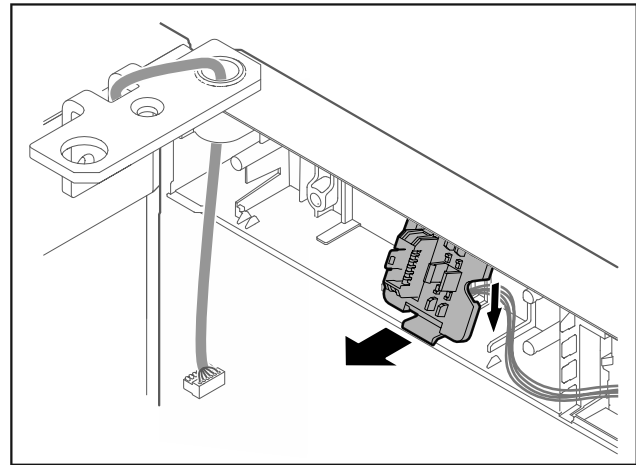


Fig. 15 The installation position for the plug holder can be rotated by 180°.*

- ▶ Unlatch the plug holder.*

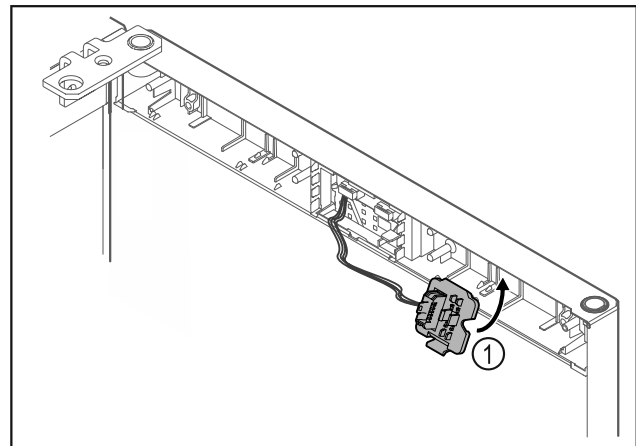


Fig. 16

- ▶ Engage the plug holder Fig. 16 (1) on the opposite side.*

Reversing the door opening direction

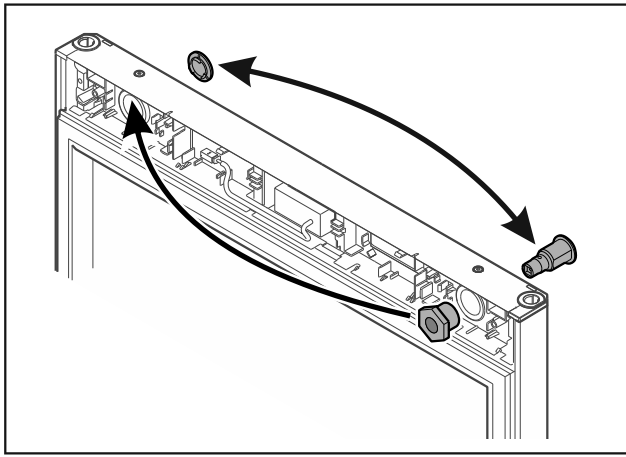


Fig. 17*

- ▶ Put the lock and cover on the opposite side.*
- or-

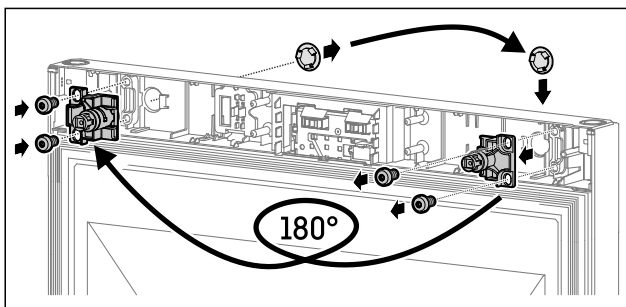


Fig. 18

- ▶ Put the lock and cover on the opposite side.*

NOTICE

Risk of injury if the door tips out!

- ▶ Hold the door.

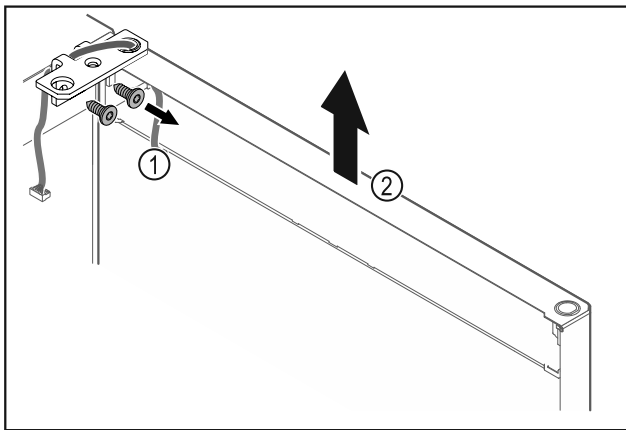


Fig. 19

- ▶ Unscrew the hinge Fig. 19 (1).
- ▶ Lift the door with the hinge straight up by Fig. 19 (2) roughly 200 mm and take it off.
- ▶ Carefully place the door on a soft surface.

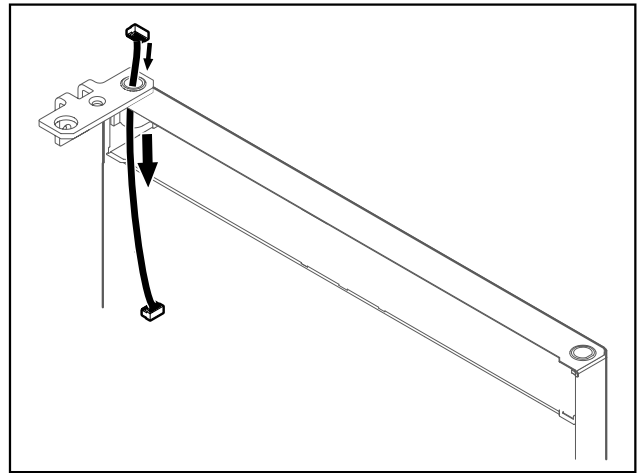


Fig. 20

- ▶ Carefully pull out the cable.

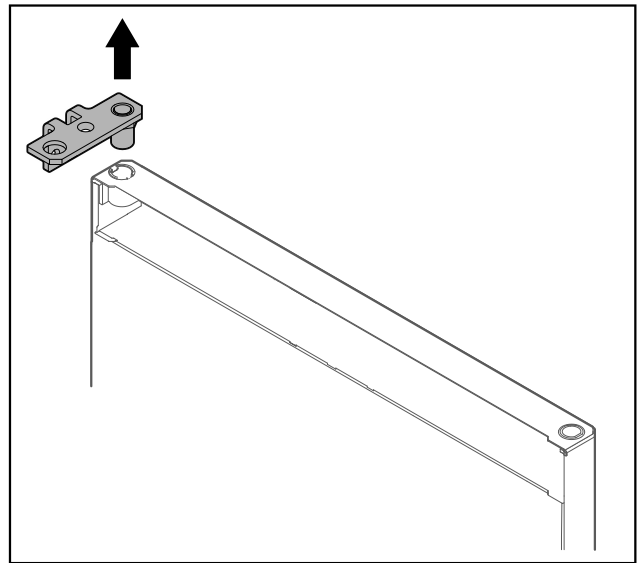


Fig. 21

- ▶ Pull out the hinge.

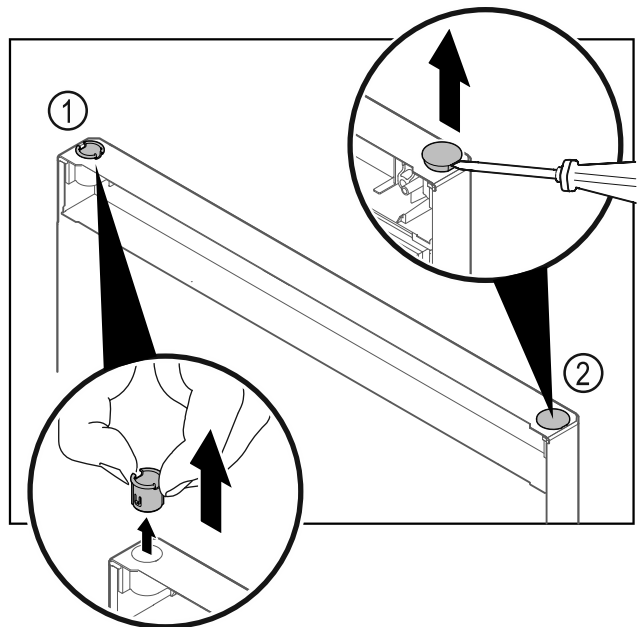


Fig. 22

- ▶ Pull out the hinge bushing Fig. 22 (1) with your fingers.
- ▶ Carefully lift the cover plug Fig. 22 (2) with a slotted screwdriver and pull it out.

Reversing the door opening direction

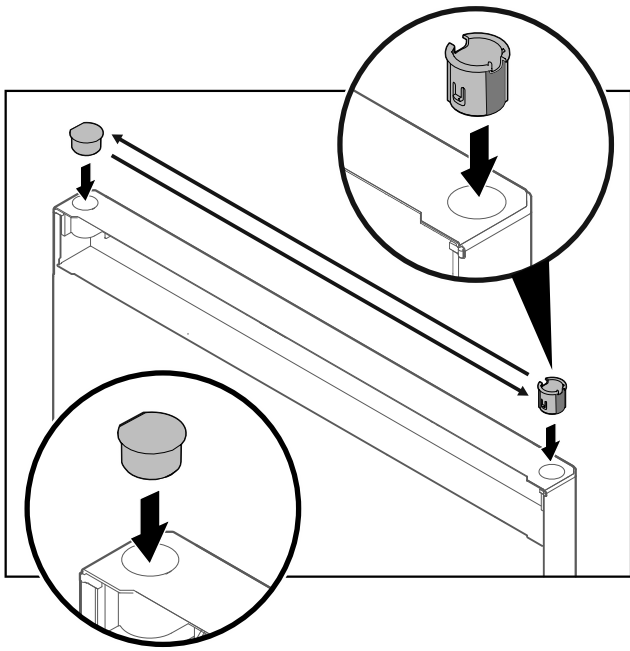


Fig. 23

- ▶ Insert hinge bushing and cover plug on the opposite side (the flattened sides face outwards).

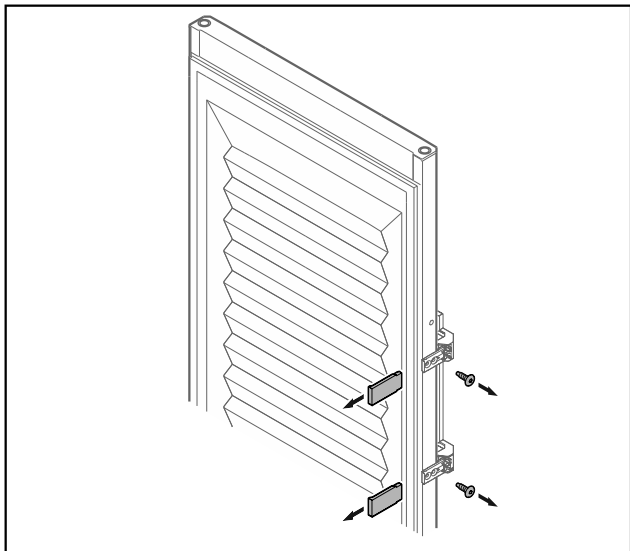


Fig. 24 Insulated door*

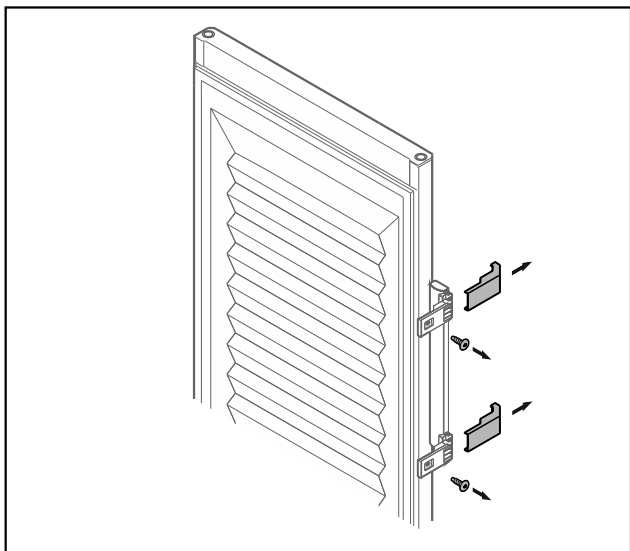


Fig. 24 Insulated door*

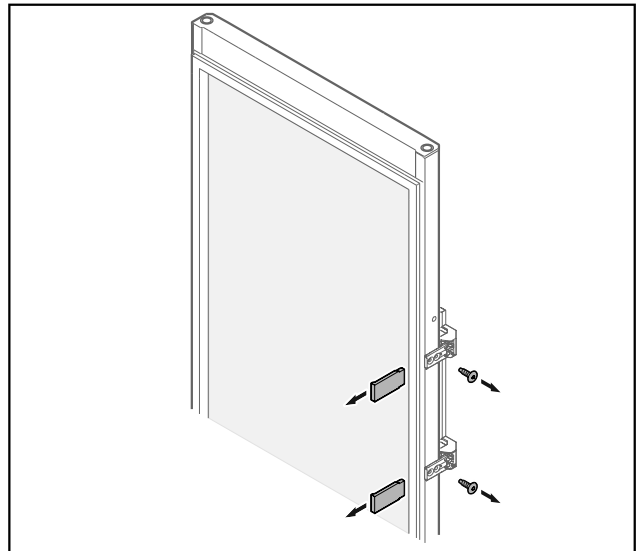


Fig. 25 Glass door*

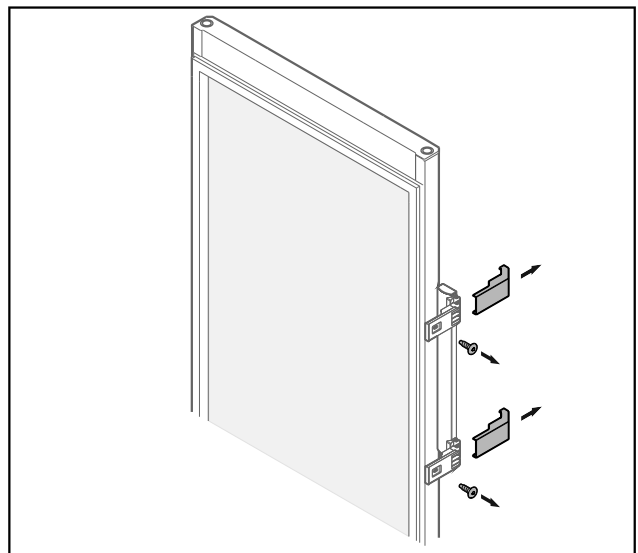


Fig. 25 Glass door*

- ▶ Remove the panels.
- ▶ Unscrew the handle.

Reversing the door opening direction

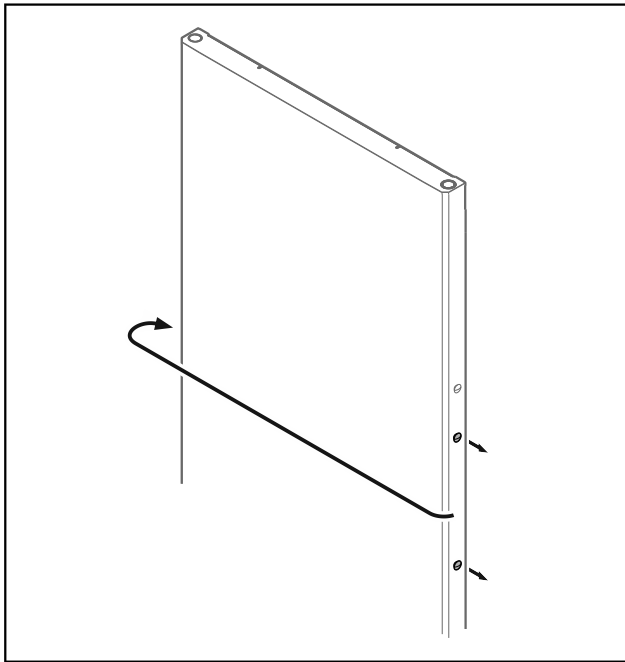


Fig. 26

- Put the stopper on the opposite side.

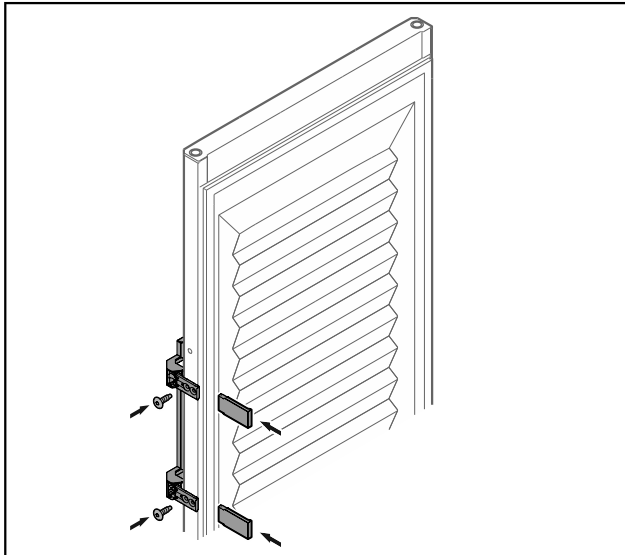


Fig. 27 Insulated door*

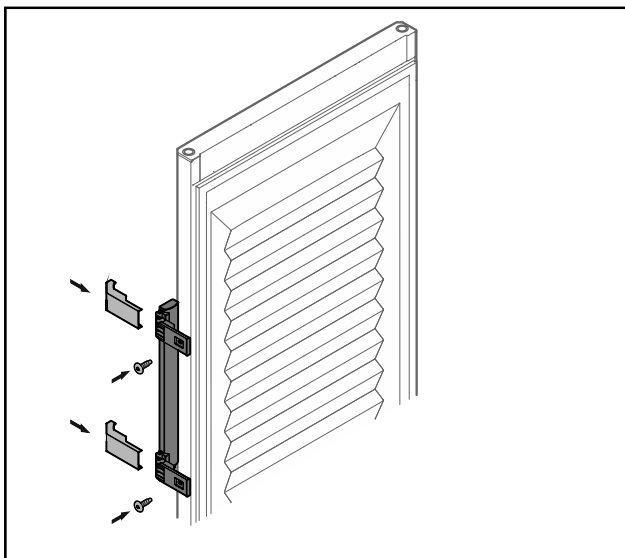


Fig. 27 Insulated door*

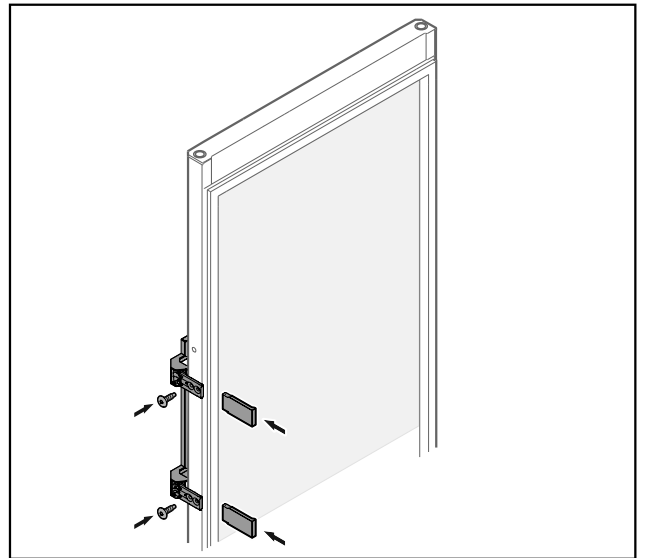


Fig. 28 Glass door*

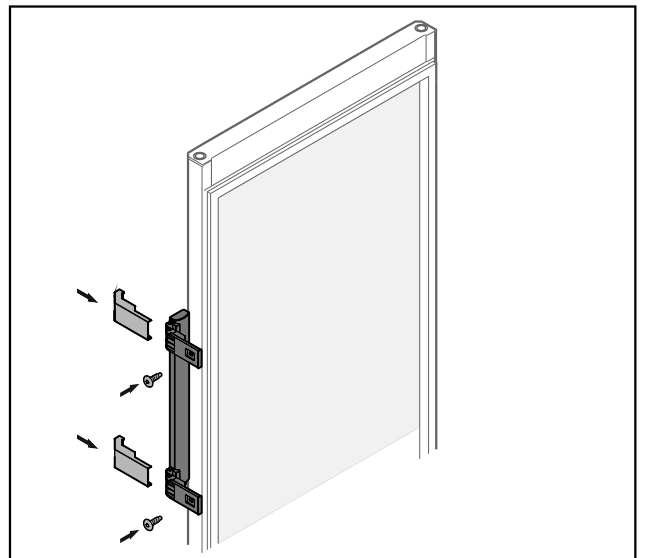


Fig. 28 Glass door*

- Screw the handle onto the opposite side.
- Attach the panels.

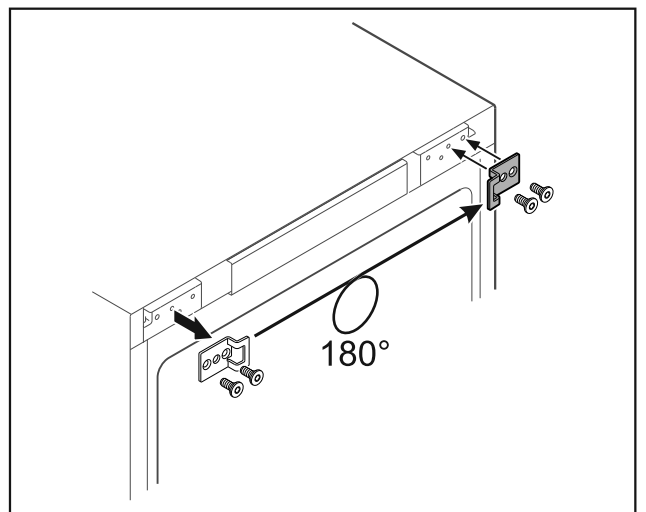


Fig. 29 *

- Put the closing bracket on the opposite side.*

Reversing the door opening direction

Note

The holes are pre-marked and must be pierced with the self-tapping screws.*

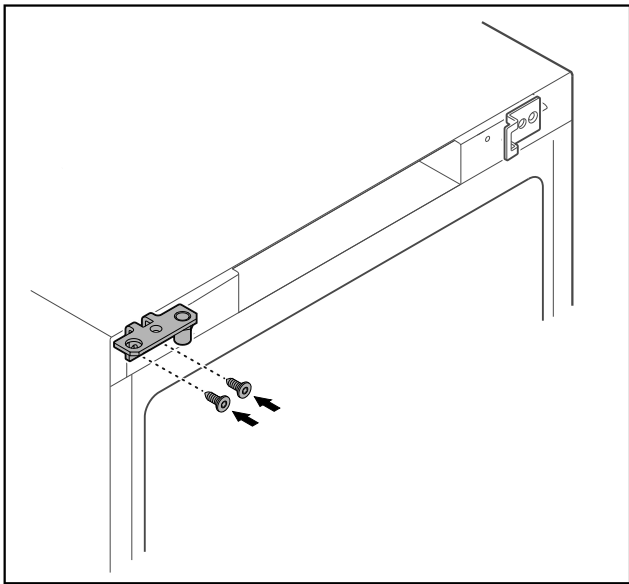


Fig. 30 *

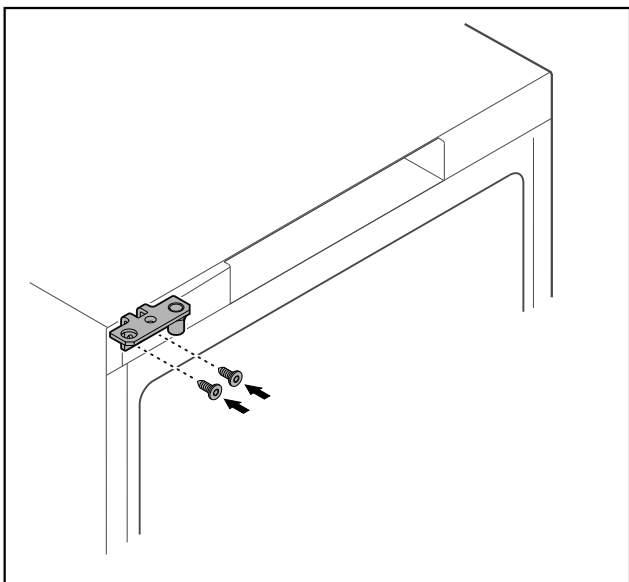


Fig. 31 *

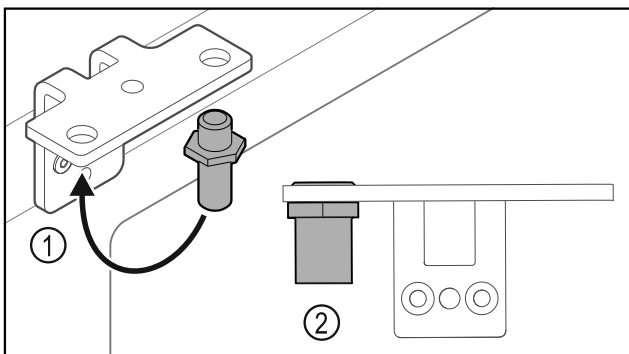
- Move the hinge to the opposite side.



WARNING

Risk of injury and material damage if the door tips out!

- Tighten the bearing pins to the specified torque.



* Depending on model and options

Fig. 32

- Put the pin back into the hinge Fig. 32 (1).
- Tighten the pin Fig. 32 (2) to a **torque of 12 Nm**.
- Unscrew the hinge again.

NOTICE

Risk of injury due to tensioned spring!

- Do not disassemble the door closing system Fig. 33 (1).

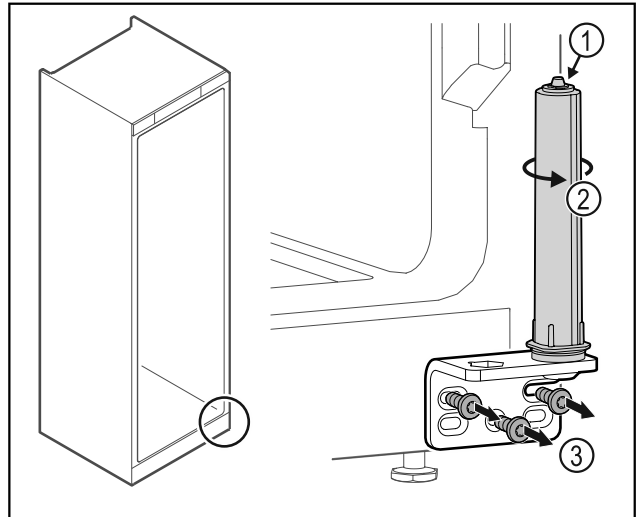


Fig. 33

- Turn the closing system Fig. 33 (2) until it clicks.
- The tension of the closing system is released.
- Unscrew the hinge Fig. 33 (3).

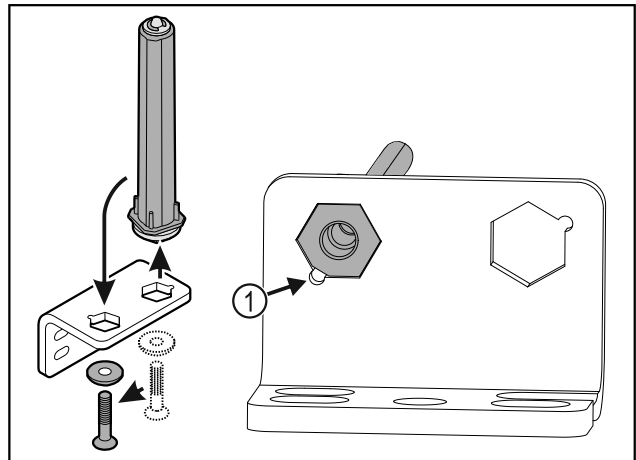


Fig. 34

- Put the door closing system in the hinge.
- Make sure the pin chamfer Fig. 34 (1) faces the round hole when you put it in.

-or-

Note

Incorrect alignment of the height adjustment washers. Nuts no longer have sufficient hold.

- The washer must lock into the underside of the closing system.

Reversing the door opening direction

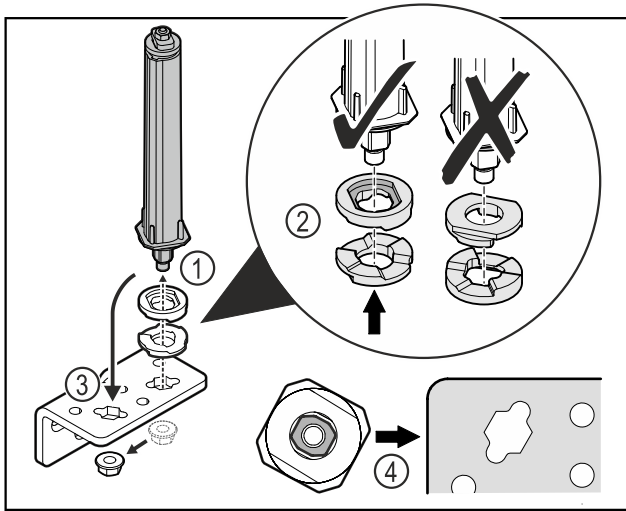


Fig. 35

- ▶ Loosen the nut and remove the door closing system Fig. 35 (1).
- ▶ Observe the correct alignment of the height adjustment washers Fig. 35 (2).
- ▶ Put the door closing system in the hinge and fix in place with the nut Fig. 35 (3).
- ▶ Observe the correct alignment of the door closing system when doing so Fig. 35 (4).

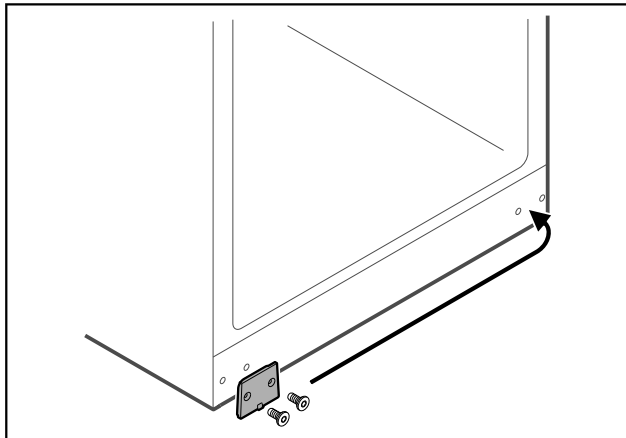


Fig. 36

- ▶ Put the cover plate on the opposite side.

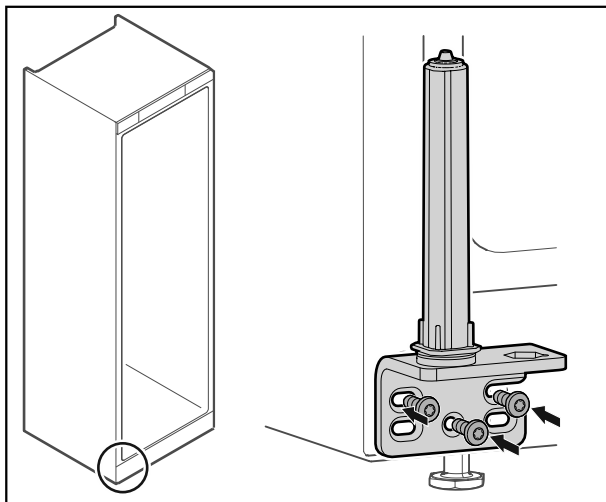


Fig. 37

- ▶ Screw the hinge onto the opposite side.

Note

Correct alignment and tension are important for the closing system to work properly.

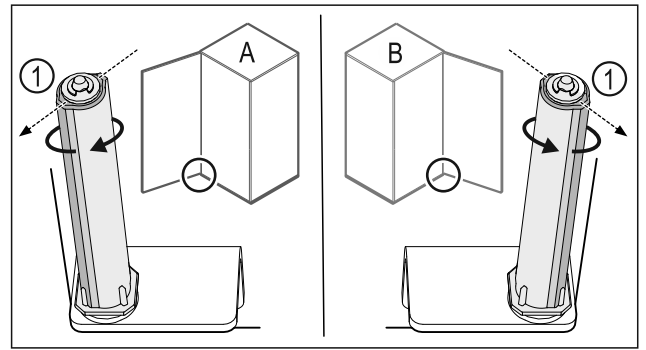


Fig. 38 Left-hinged (A) / Right-hinged (B)

- ▶ Turn the closing system against the resistance until the bar of the closing system Fig. 38 (1) points outwards.
- ▶ The closing system automatically stays in this position.
- ▶ The closing system is now aligned and tensioned.

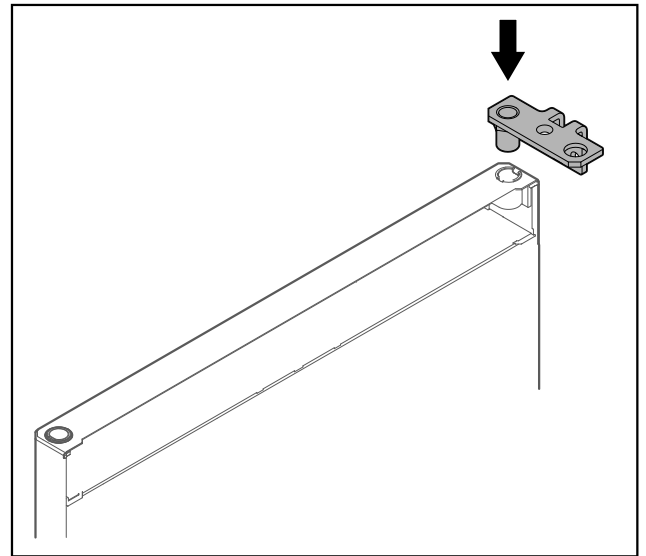


Fig. 39

- ▶ Put the hinge into the door.

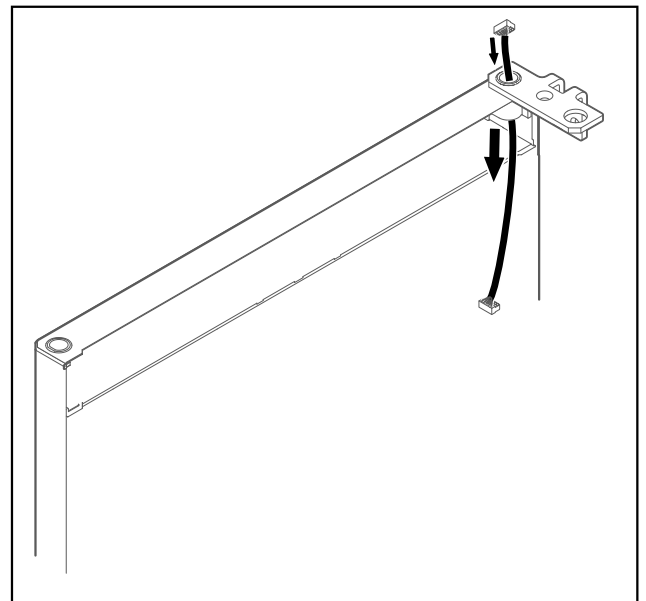


Fig. 40

- ▶ Carefully push the cable through.

Reversing the door opening direction

NOTICE

Risk of injury if the door tips out!

- ▶ Hold the door.

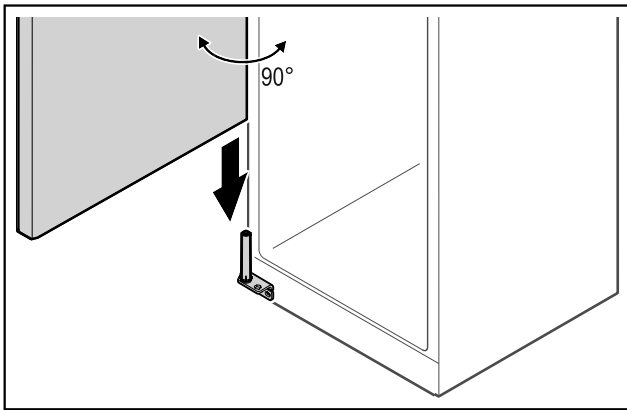


Fig. 41

- ▶ Together with a second person, lift the door from the ground.
- ▶ Carefully put the door on the closing system with the door opened at a 90° angle.

NOTICE

Material damage due to incorrect mounting!

- ▶ Do not pinch the cable when mounting the hinge.

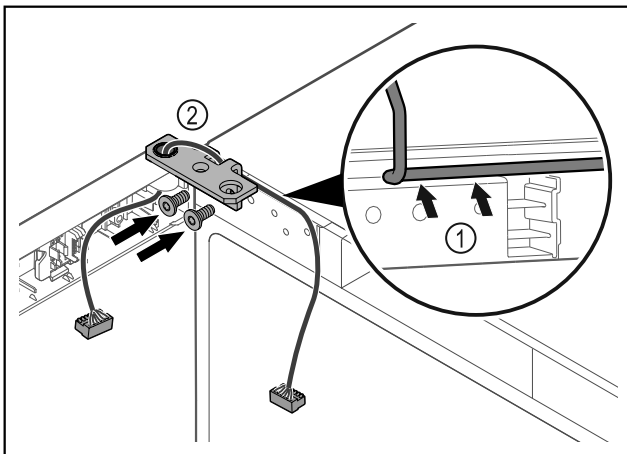


Fig. 42

- ▶ Feed the cable through the recess in the hinge and lay it carefully Fig. 42 (1).
- ▶ Screw on the hinge Fig. 42 (2).

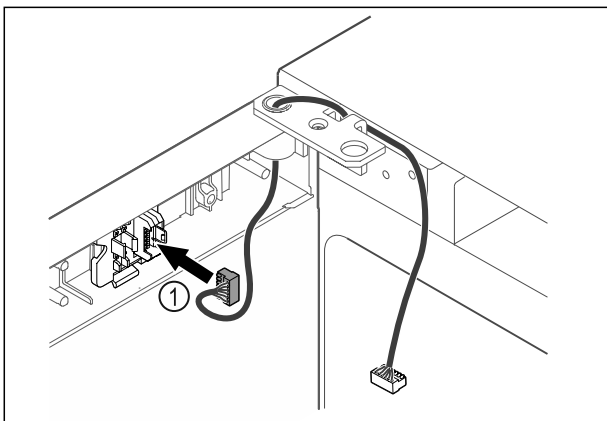


Fig. 43

- ▶ Put the plug Fig. 43 (1) in the plug holder.

-or-

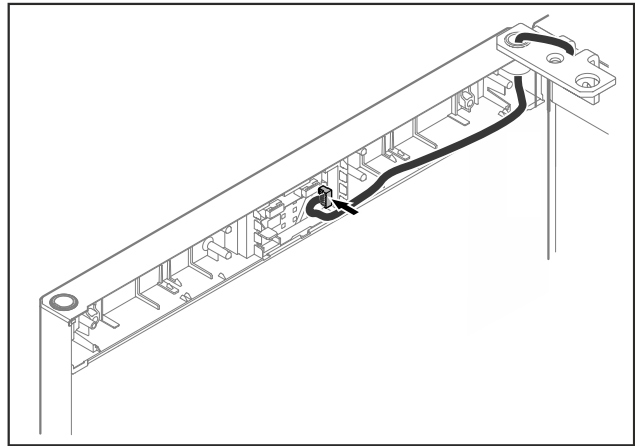


Fig. 44

- ▶ Plug the connector into the circuit board.

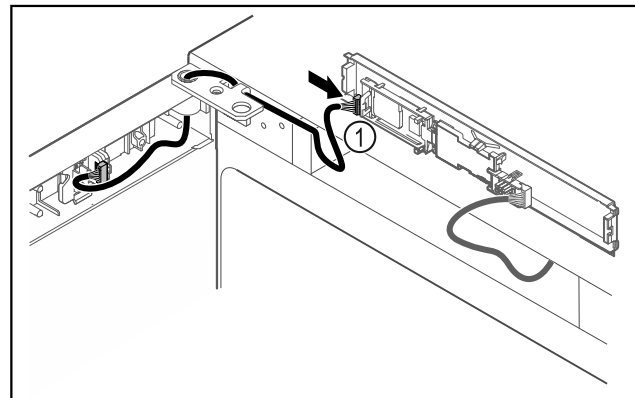


Fig. 45

- ▶ Connect the plug Fig. 45 (1) to the circuit board.

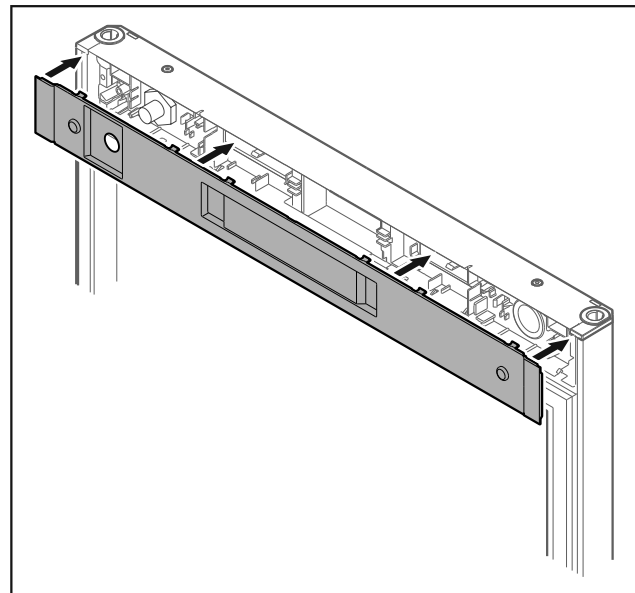


Fig. 46 *

- ▶ Set the cover back in place.*

Aligning the door

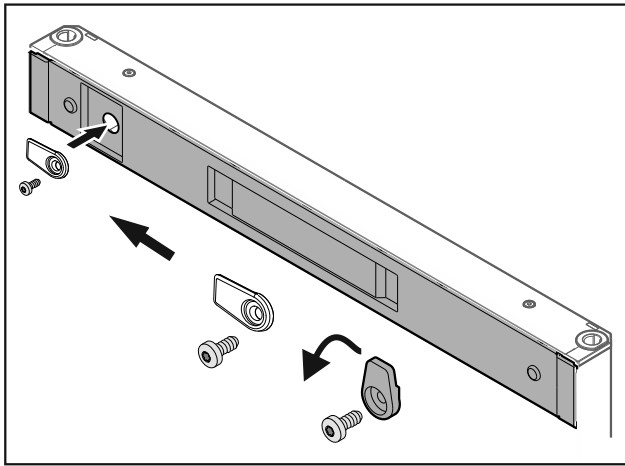


Fig. 47 *

- ▶ Screw on the door latch.*

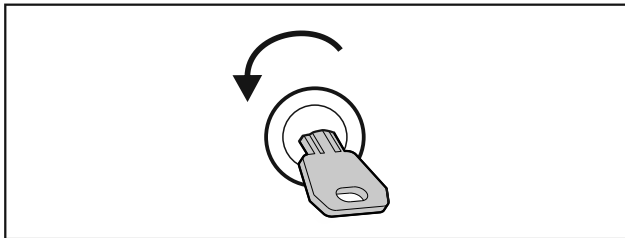


Fig. 48 *

- ▶ Open the door.*

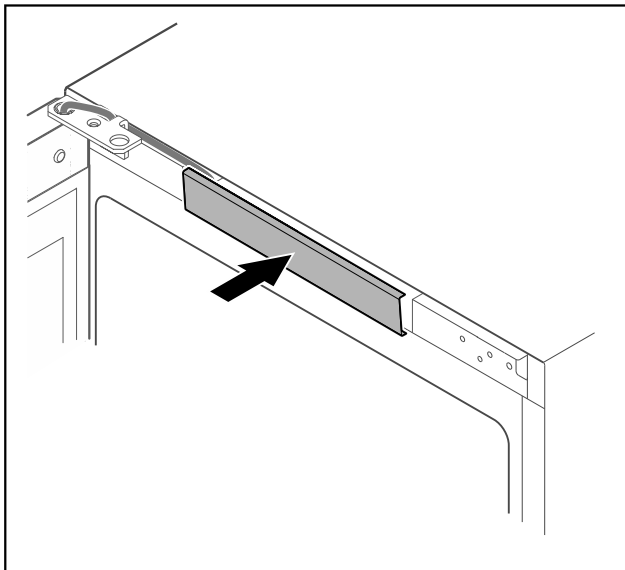


Fig. 49

- ▶ Snap in the middle cover.

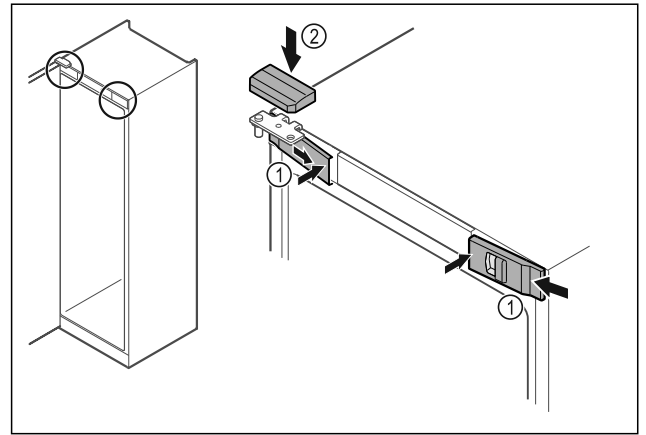


Fig. 50 *

- ▶ Hook in the front covers Fig. 50 (1) on the side and snap them into place on the inside.*
- ▶ Snap on the top cover Fig. 50 (2) from above.*

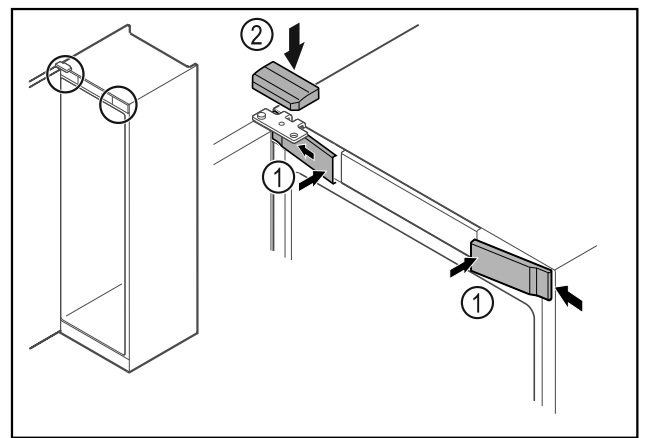


Fig. 51 *

- ▶ Hook in the front covers Fig. 51 (1) on the side and snap them into place.*
- ▶ Snap on the top cover Fig. 51 (2) from above.*
- ▶ Close the door.
- ▶ The door has now been reversed.

15 Aligning the door

If the door is not straight, you can adjust it on the lower hinge.

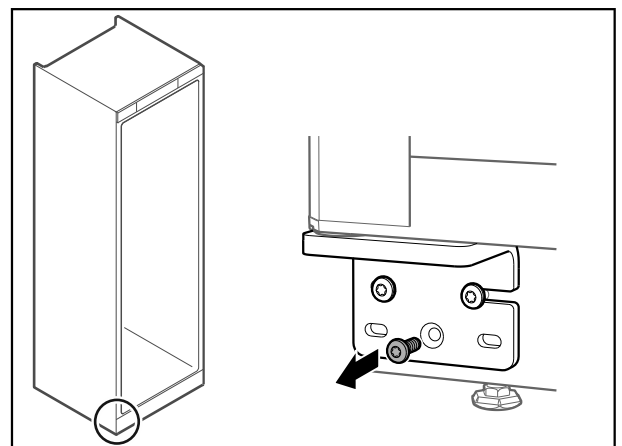


Fig. 52

- ▶ Remove the middle screw on the lower hinge.

Connecting the appliance to the power supply

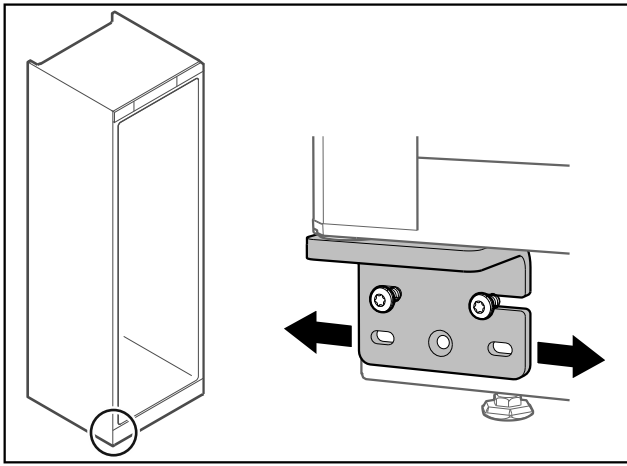


Fig. 53

- ▶ Slightly undo both screws and move the door with the hinge to the left or right.
- ▶ Fully tighten the screws (the middle screw is no longer needed).
- ▶ The door is now straight.

16 Connecting the appliance to the power supply



WARNING

Danger of electric shock and injury due to damaged appliance or damaged mains cable!
Danger of cuts and fatal injuries. If the appliance or the mains cable is damaged during transport, you may be electrocuted. You could also cut yourself on damaged parts of the appliance housing.

- ▶ Check the appliance and the mains cable for damage after transport.
- ▶ Never put the appliance into operation if the appliance or the mains cable are damaged.
- ▶ Contact Customer Service.

You can connect your appliance to the mains using the power cable supplied separately. The mains power cable has an appliance coupler at one end and a mains plug at the other end.

Make sure that the following requirements are fulfilled:

- The appliance and power cable are undamaged.
- The appliance is set up in accordance with the regulations. (see 6 Removing transport lock)
- Requirements for the electrical connection are met.
- Dimensions for connection in accordance with regulations are known and observed.
- Mains voltage and frequency correspond to the specifications on the type plate.
- The socket is earthed according to the regulations and fused.
- The fuse tripping current is between 10 A and 16 A.
- The socket is easily accessible and is not behind the appliance.

NOTICE

Danger of damage to incorrect operation!
Damage to the electrical components of the appliance.

- ▶ Only use the supplied mains cable.

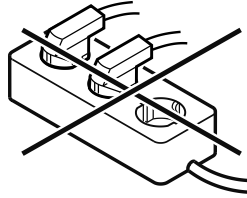


WARNING

Danger of fire due to incorrect connection!
Burns.

Damage to the appliance.

- ▶ Do not use an extension cable.
- ▶ Do not use distributor blocks.



NOTICE

Danger of damage to incorrect connection!

Damage to the appliance.

- ▶ Do not connect the appliance to a stand-alone inverter, e.g. solar power systems and petrol generators.

- ▶ Connect the mains cable plug to the power supply. Ensure that the plug is tightly in the socket.
- ▶ The standby symbol appears in the display.
- ▶ If no action occurs within 60 seconds: The standby symbol fades or disappears.
- ▶ The appliance is connected. For information regarding first use, see the following section or the operating instructions.



home.liebherr.com/fridge-manuals

EN wine storage

Issue date: 20260213

Part number index: 7083362-00

Liebherr-Hausgeräte GmbH
Memminger Straße 77-79
88416 Ochsenhausen
Deutschland