



## Installation Guide

Quality, Design and Innovation



[home.liebherr.com/fridge-manuals](http://home.liebherr.com/fridge-manuals)





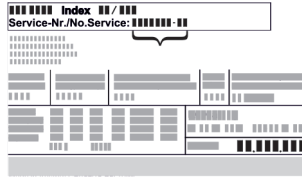

# LIEBHERR




# General safety instructions

## Contents

<b>1</b>	<b>General safety instructions.....</b>	<b>2</b>
<b>2</b>	<b>Installation requirements.....</b>	<b>3</b>
2.1	Installation site.....	3
2.2	Position in space.....	3
2.3	Insert under worktop.....	3
<b>3</b>	<b>Appliance dimensions.....</b>	<b>3</b>
<b>4</b>	<b>Recess dimensions.....</b>	<b>4</b>
<b>5</b>	<b>Unit front.....</b>	<b>4</b>
5.1	Unit front weight.....	4
5.2	Unit door.....	4
5.3	Unit front dimensions.....	5
5.4	Decorative plate dimensions.....	5
<b>6</b>	<b>Transporting the appliance.....</b>	<b>5</b>
6.1	Transporting the appliance for initial use.....	5
6.2	Transporting the appliance after initial use.....	5
<b>7</b>	<b>Unpacking the appliance.....</b>	<b>5</b>
<b>8</b>	<b>Disposing of packaging.....</b>	<b>5</b>
<b>9</b>	<b>Aligning the telescopic unit.....</b>	<b>5</b>
<b>10</b>	<b>Recessed installation.....</b>	<b>6</b>
10.1	Tool.....	6
10.2	Preparing the appliance.....	6
10.3	Screwing the appliance to the ceiling.....	7
10.4	Fixing the appliance on the side.....	7
10.5	Aligning the appliance.....	7
10.6	Fitting the base.....	8
10.7	Screwing the appliance into the niche.....	8
<b>11</b>	<b>Fitting the unit door.....</b>	<b>8</b>
<b>12</b>	<b>Connecting the appliance to the power supply....</b>	<b>9</b>

The manufacturer is continually working on the further development of all types and models. Please be aware that we reserve the right to make changes to the shape, equipment and technology.

Symbol	Explanation
	<p><b>Read instructions</b></p> <p>Please read the information in these instructions carefully to understand all of the benefits of your new appliance.</p>
	<p><b>Additional information on the Internet</b></p> <p>The digital manual with additional information and in other languages can be found via the QR code on the front of the manual or by entering the service number at <a href="http://home.liebherr.com/fridge-manuals">home.liebherr.com/fridge-manuals</a>.</p> <p>The service number can be found on the serial tag:</p>  <p style="text-align: center;"><i>Fig. Example illustration</i></p>
	<p><b>Check appliance</b></p> <p>Check all parts for transport damage. If you have any complaints, please contact your agent or customer service.</p>

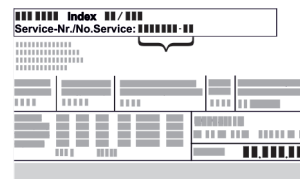
Symbol	Explanation
	<p><b>Differences</b></p> <p>These instructions apply to a range of models, so differences are possible. Sections that apply to certain models only are marked with an asterisk (*).</p>
	<p><b>Instructions and results</b></p> <p>Instructions are marked with a ▶.</p> <p>Results are marked with a ▷.</p>
	<p><b>Videos</b></p> <p>Videos about the appliances are available on the YouTube channels of Liebherr-Hausgeräte.</p>

### Open source licences:




The appliance contains software components that use open source licences. Information on the open source licences used can be found here: [home.liebherr.com/open-source-licences](http://home.liebherr.com/open-source-licences)

## 1 General safety instructions

- Please keep this assembly manual in a safe place so you can refer back to it at any time.
- If you pass the appliance on, please hand this assembly manual to the next user.
- Read this assembly manual carefully before installation and use to ensure safe and correct use of the appliance. Follow the instructions, safety instructions and warning messages included at all times. They are important for ensuring you can operate and install the appliance safely and without any problems.
- First read the general safety instructions in the "General safety instructions" section of the **operating instructions**, which accompany these installation instructions, and follow them. If you cannot find the **operating instructions**, you can download the **operating instructions** from the internet by entering the service number at [home.liebherr.com/fridge-manuals](http://home.liebherr.com/fridge-manuals). The service number can be found on the serial tag:



- **Observe the warning messages and other detailed information in the other sections when installing the appliance:**

	DANGER	identifies a situation involving direct danger which, if not obviated, may result in death or severe bodily injury.
	WARNING	identifies a dangerous situation which, if not obviated, may result in death or severe bodily injury.
	CAUTION	identifies a dangerous situation which, if not obviated, may result in minor or medium bodily injury.
	NOTICE	identifies a dangerous situation which, if not obviated, may result in damage to property.

Note	identifies useful instructions and tips.
------	--

## 2 Installation requirements

The installation conditions are crucial to ensure that you can operate your appliance safely, efficiently and without problems.

- Observe all safety instructions.
- Consider the location and position in the room.

### WARNING

Danger of fire due to incorrect positioning!  
If the mains cable or plug touches the back of the appliance, the vibration can damage the mains cable or the plug resulting in a short circuit.

- ▶ Make sure the mains cable is not trapped under the appliance when you position the appliance.
- ▶ Stand the appliance so that it is not touched by connectors or main cables.
- ▶ Do not connect any appliances to sockets in the area of the back of the appliance.
- ▶ Do **not** place and operate multi-sockets/power distributors and other electronic devices (such as halogen transformers) at the back of the appliances.

### WARNING

Fire hazard due to dampness!  
If live parts or the mains lead become damp this may cause short circuits.

- ▶ The appliance is designed for use in enclosed areas. Do not operate the appliance outdoors or in areas where it is exposed to splash water or damp conditions.

### WARNING

Leaking coolant and oil!  
Fire. The coolant contained in the appliance is eco-friendly, but also flammable. The oil contained in the appliance is flammable. Escaping coolant and oil can ignite if the concentration is high enough and in contact with an external heat source.

- ▶ Do not damage the pipelines of the coolant circuit and the compressor.

## 2.1 Installation site

- Only set up and use the appliance in enclosed spaces.
- Only operate the appliance when it is installed.
- If the appliance is installed in a very damp environment, condensation may form on the appliance exterior. Always make sure there is good ventilation and aeration at the installation site.
- The more refrigerant there is in the appliance, the larger than room must be in which it is located. In rooms that are too small, a leak can produce a flammable gas/air mixture. For every 8 g of refrigerant, the installation room must be at least 1 m<sup>3</sup> in size. Information on the refrigerant contained is given on the type plate inside the appliance.
- The floor on which the appliance stands must be horizontal and level.

## 2.2 Position in space

- Do not install the appliance in direct sunlight or near radiators or similar sources of heat.
- You can install the appliance directly next to an oven.
- If the appliance is installed directly next to an oven, the energy consumption may increase slightly. This is dependent on the service life and usage intensity of the oven.
- If you install the appliance in a island unit, appliances with an integrated exhaust air system can damage the appliance. Either ensure separate air ducting or install a partition wall between the appliances.
- Use in hazardous areas is not permitted.

## 2.3 Insert under worktop

- If you are installing the appliance in a kitchen unit that is standing on uneven ground: Levelling kitchen furniture.

## 3 Appliance dimensions

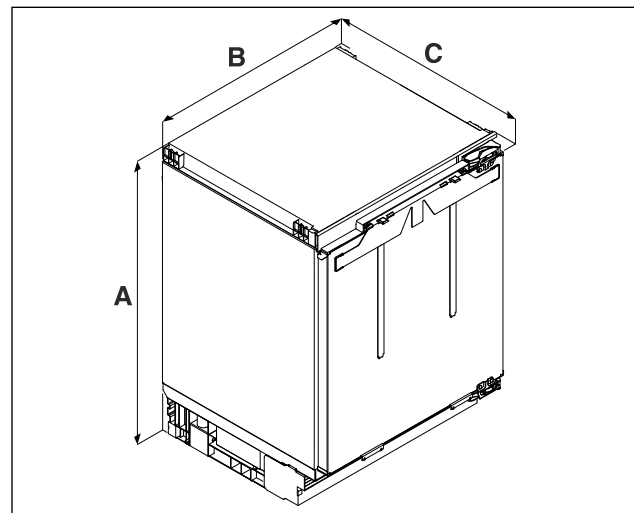


Fig. 1 Example illustration

- (A) Appliance height including feet
- (B) Appliance width
- (C) Appliance depth

	U.. 36.. <sup>A)</sup>	U.. 37.. <sup>A)</sup>
<b>A</b>	819 mm	859 mm
<b>B</b>	597 mm	
<b>C</b>	556 mm	

<sup>A)</sup> Appliance type designation

# Recess dimensions

## 4 Recess dimensions

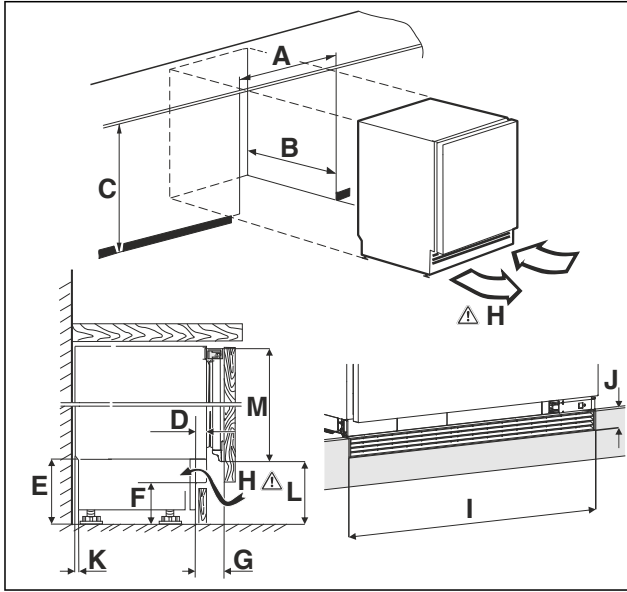


Fig. 2 Example illustration

- (A) Niche width (C) Niche height  
(B) Niche depth (H) Ventilation cross-section

<b>A</b>	600 mm	
<b>B</b>	min. 560 mm	
<b>C</b>	<b>U.. 36..<sup>A)</sup></b> 820 mm to 880 mm	<b>U.. 37..<sup>A)</sup></b> 860 mm to 920 mm
<b>D</b>	11 mm to 66 mm	
<b>E</b>	100 mm to 160 mm	
<b>F</b>	60 mm to 120 mm	
<b>G</b>	54 mm to 109 mm	
<b>H</b>	150 cm <sup>2</sup>	
<b>I</b>	600 mm	
<b>J</b>	40 mm	
<b>K</b>	18 mm	
<b>L</b>	<b>SDUFD 3603 / DURD 3600 / DuRd 3601:</b> 99 mm to 159 mm <b>SUFd 3603 / SUFNd 365i / SUFNh 3653 / URd 3600 / URh 3600 / URD 365i / URd 3601 / URh 365i:</b> 104 mm to 164 mm <b>URPh 365i / URPd 356i / SUFNpc 365i:</b> 126 mm to 186 mm <b>SUFNc 375i / SUFc 3703 / URc 3700 / URC 375i / URC 3701 / SUBa 375i / URh 375i / URPc 375i:</b> 104 mm to 164 mm	
<b>M</b>	<b>SDUFD 3603 / DURD 3600 / DuRd 3601:</b> 752 mm <b>SUFd 3603 / SUFNd 365i / SUFNh 3653 / URd 3600 / URh 3600 / URD 365i / URd 3601 / URh 365i:</b> 705 mm <b>URPh 365i / URPd 356i / SUFNpc 365i:</b> 680 mm <b>SUFNc 375i / SUFc 3703 / URc 3700 / URC 375i / URC 3701 / SUBa 375i / URh 375i / URPc 375i:</b> 744 mm	

A) Appliance type designation

## 5 Unit front

### 5.1 Unit front weight

#### NOTICE

A heavy unit door may pose a risk of damage! If the unit door is too heavy, damage to the hinges cannot be ruled out, which may compromise functionality.

- Before fitting the unit door, ensure that the unit door does not exceed the permissible weight.

Niche height	Maximum weight of the unit door
.. 36.. <sup>A)</sup>	10 kg
.. 37.. <sup>A)</sup>	10 kg

A) Appliance type designation

### 5.2 Unit door

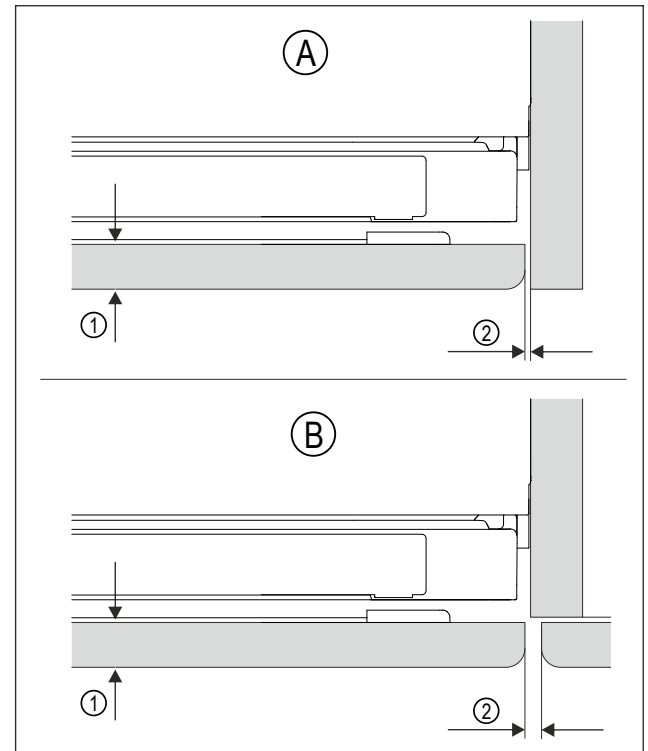


Fig. 3 Example illustration

- (A) Niche with wall (1) Front thickness  
(B) Niche with neighbouring furniture (2) Gap dimension

Front thickness	At least 16 mm
Gap dimension	At least 3 mm
The unit door must be flat and mounted without tension.	

## 5.3 Unit front dimensions

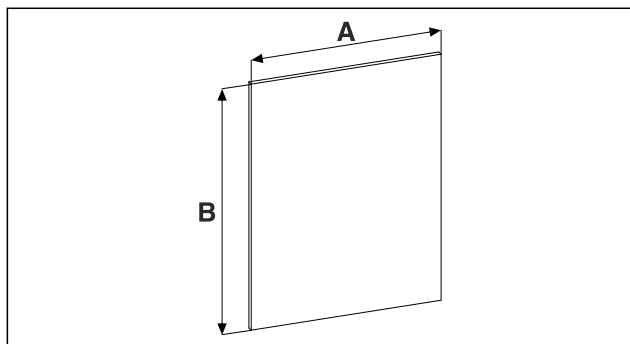


Fig. 4

Niche height	.. 36..	.. 37..
A	At least 595 mm	
B	at least 711 mm, maximum value may not be less than the ventilation cross-section of 150 cm <sup>2</sup> .	at least 757 mm, maximum value may not be less than the ventilation cross-section of 150 cm <sup>2</sup> .

A) Appliance type designation

## 5.4 Decorative plate dimensions

The decorative plate is pushed into the frame that is already fitted to the support plate. The support plate is supplied with the appliance. The support plate with the decorative plate is then installed on the appliance.

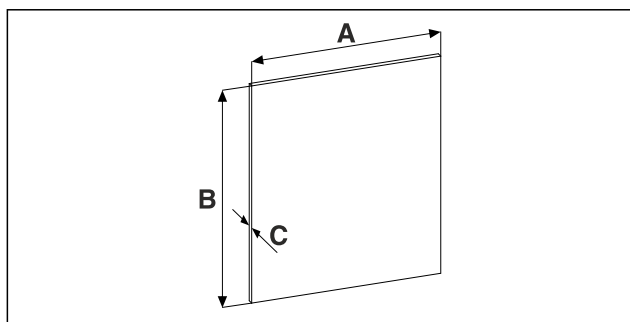


Fig. 5

Niche height	.. 36..
A	585 mm
B	678 mm
C	maximum 4 mm

A) Appliance type designation

## 6 Transporting the appliance

### 6.1 Transporting the appliance for initial use

Ensure that the following requirements are met:

- The appliance is packaged.
- The appliance is upright.
- ▶ Transport the appliance with the help of two people.
- ▶ Unpacking the appliance. (see 7 Unpacking the appliance)

### 6.2 Transporting the appliance after initial use

Observe the following instructions if you wish to transport or move the appliance again after initial use.

Ensure that the following requirements are met:

- The appliance is emptied.
- The appliance is upright.
- Appliance with door(s): Door is secured against accidental opening.
- Appliance with telescopic unit: The telescopic unit is secured against accidental opening.
- Appliance is removed.
- ▶ Transport the appliance with the help of two people.

## 7 Unpacking the appliance

### NOTICE

Risk of damage to the floor!

- ▶ Protect your floors by covering them before removing packaging from the appliance.

Before you connect the appliance, report any damage immediately to the delivery company.

- ▶ Check the appliance and the packaging for damage during transport. Contact the supplier immediately if you suspect any level of damage.
- ▶ Remove all materials from the back or the side walls of the appliance that may prevent proper installation or ventilation.
- ▶ Remove all protective films from the appliance. Do not use sharp or pointed objects for this.

## 8 Disposing of packaging



### WARNING

Danger of suffocation due to packing material and plastic film!

- ▶ Do not allow children to play with packing material.

The packaging is made of recyclable materials:

- corrugated board/cardboard
- expanded polystyrene parts
- polythene bags and sheets
- polypropylene straps
- nailed wooden frame with polyethylene panel\*
- ▶ Take the packaging material to an official collecting point.

## 9 Aligning the telescopic unit

If the telescopic unit is not straight, you can align the telescopic unit. This setting is intended exclusively for the event that the telescopic unit no longer closes properly over time. The unit is set up via the unit front.

- ▶ Remove the container.

# Recessed installation

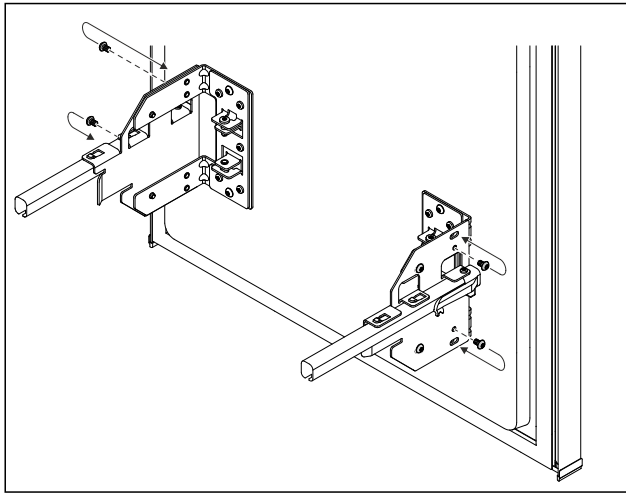


Fig. 6 Example illustration

- ▶ Relocate the screws.
- ▶ Do not screw the screws fully tight.

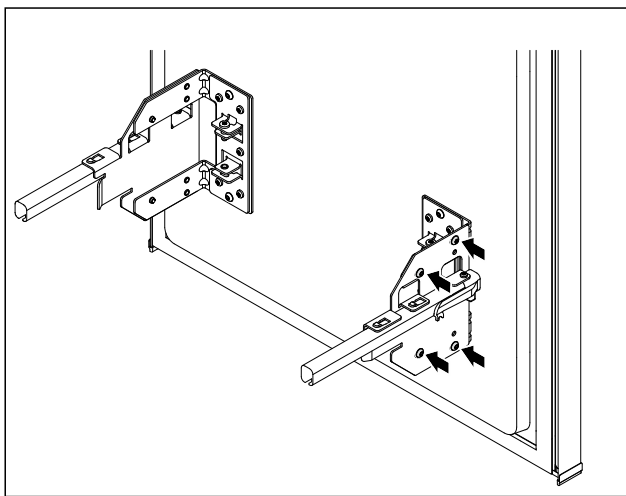


Fig. 7 Example illustration

- ▶ Loosen screws slightly.
- ▶ Move telescopic units forwards or backwards with mounting bracket.
- ▶ Tighten the screws as far as they will go.

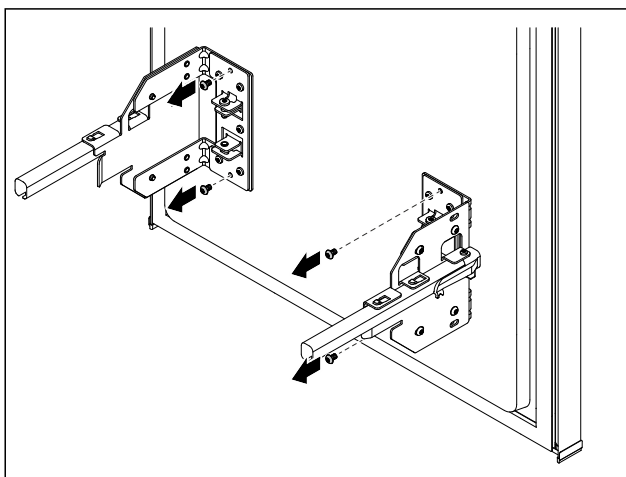


Fig. 8 Example illustration

- ▶ Remove the screws from the mounting bracket (screws are no longer required).

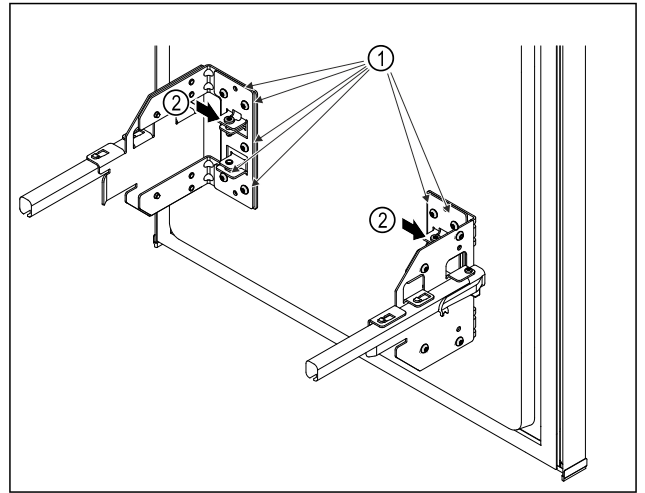


Fig. 9

- ▶ Loosen screws Fig. 9 (1) slightly.
- ▶ Turn the screws Fig. 9 (2) to move the telescopic unit up or down.
- ▶ Tighten the screws Fig. 9 (1) as far as they will go.
- ▶ The telescopic unit is aligned.

## 10 Recessed installation

### 10.1 Tool

Make sure that the following tools are to hand:

- Torx® 20
- Slotted screwdriver
- Measuring tape
- Pencil
- Cord
- Spirit level

Before installing the appliance in the niche, note the fixing method:

Lateral fixing	Ceiling mounting
Substructure under a hard worktop such as granite	No granite slab
The appliance is lower than the worktop when the adjustable feet are fully extended.	Appliance sits slightly braced under worktop when adjustable feet are fully extended.
Appliance side panel available for screwing.	

### 10.2 Preparing the appliance

- ▶ Plug the mains cable's IEC socket completely into the appliance plug on the back of the appliance.
- ▶ Ensure that the IEC socket is tight.
- ▶ Use a cord to lay the mains plug to a freely accessible socket.

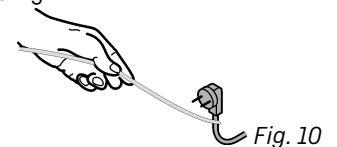


Fig. 10

## NOTICE

Risk of damage if the appliance is moved!  
If you move the appliance, you may damage the floor or the appliance's adjustable feet may break off.

Before moving:

- ▶ Screw in the levelling feet completely.
- ▶ Place a cardboard strip (e.g. packaging) with approx. 100 mm x 600 mm under each of the adjustable feet.

When moving:

- ▶ Move the appliance carefully.
- ▶ For uneven floors: Carefully lift the appliance.

After moving:

- ▶ Remove the cardboard strips.

## 10.3 Screwing the appliance to the ceiling

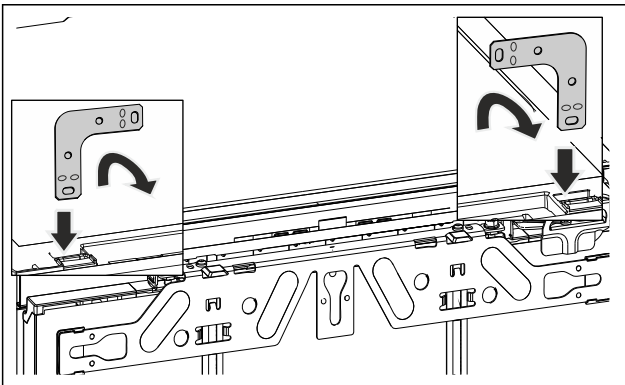


Fig. 11 Example illustration

- ▶ Insert the bracket into the opening in the unit ceiling and bend it forwards.



## WARNING

Risk of fire due to short circuit!

- ▶ When you push the appliance into the niche: do not kink, jam or damage the mains cable.
- ▶ The appliance must not be operated with a defective mains cable.

- ▶ Slide the appliance into the recess and align, see point (see 10.5 Aligning the appliance) .

## 10.4 Fixing the appliance on the side

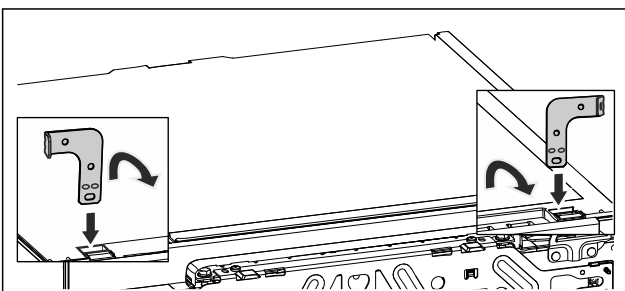


Fig. 12 Example illustration

- ▶ Bend one end of each bracket before installation. Insert the straight side into the opening in the appliance cover and bend it forwards.



## WARNING

Risk of fire due to short circuit!

- ▶ When you push the appliance into the niche: do not kink, jam or damage the mains cable.
- ▶ The appliance must not be operated with a defective mains cable.

- ▶ Slide the appliance into the recess and align, see point (see 10.5 Aligning the appliance) .

## 10.5 Aligning the appliance

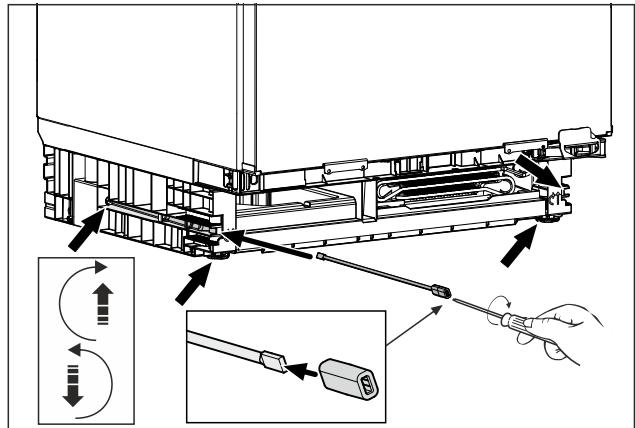


Fig. 13 Example illustration

- ▶ Unscrew the levelling feet to below the worktop.
- ▶ Align the appliance in an upright position using a spirit level.
- ▶ Keep the rod with adapter piece to remove the appliance.

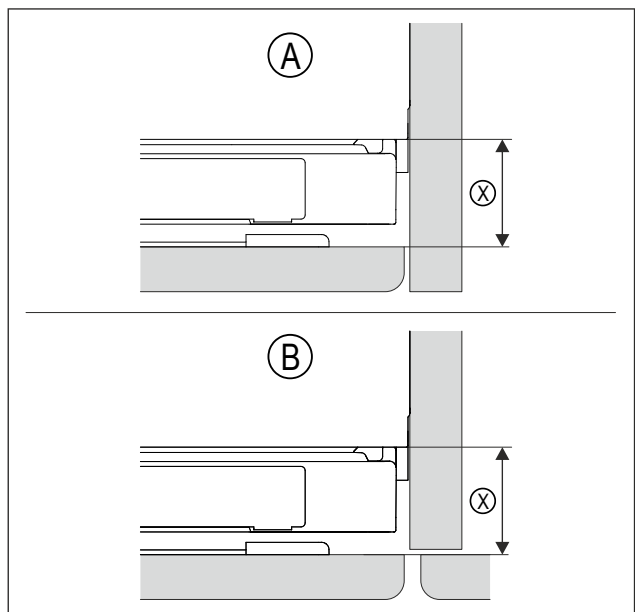


Fig. 14 Example illustration

(A) Niche with wall

(X) is the distance between the body of the appliance and the rear of the mounted furniture front

(B) Niche with neighbouring furniture

- ▶ Check that the distance (X) corresponds to installation situation (A) or (B).

(X)	42 mm
If there is no unit side panel, orientate on the worktop.	

## Fitting the unit door

- ▶ Unscrew the levelling feet alternately to the maximum. The maximum adjustment travel is 60 mm.
- ▶ Appliance is aligned upright.
- ▶ The appliance is slightly braced in the recess between the floor and worktop.

### 10.6 Fitting the base

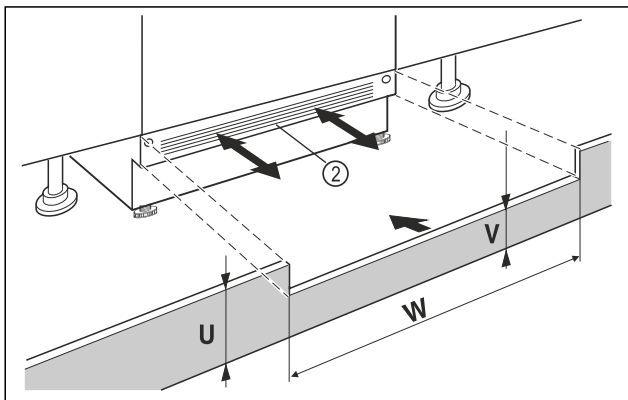


Fig. 15 Example illustration

- ▶ Put on the appliance base cover Fig. 15 (2) but do not fix it in place yet.
  - ▶ Position the unit door and unit base panel for testing
  - ▶ If the base panel is visible Fig. 15 (2), pull it forwards so that the front edge of the ventilation grille and the unit base panel are level.
- or-
- ▶ If the base panel is concealed Fig. 15 (2), push it all the way back.
  - ▶ Ensure that the ventilation slots are completely free: If necessary, cut the height of the unit base panel Fig. 15 (U) to size!
  - ▶ Adjust the web height Fig. 15 (V) under the appliance base panel Fig. 15 (2) along the niche width Fig. 15 (W).

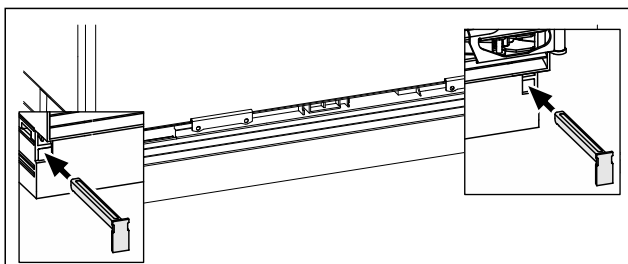


Fig. 16 Example illustration

- ▶ Fix the appliance base panel: Insert the latch while holding the appliance base panel.
- ▶ Fasten the unit base panel.

### 10.7 Screwing the appliance into the niche

Ceiling mounting:

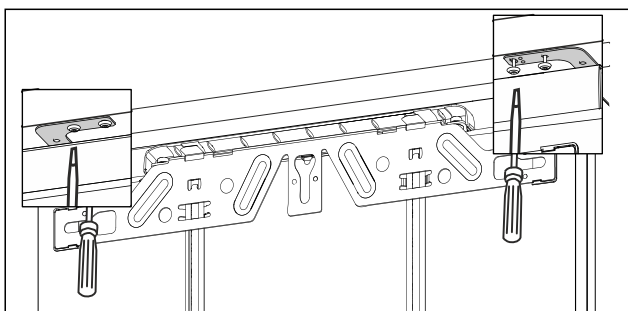


Fig. 17 Example illustration

- ▶ For mounting under the worktop, screw on the mounting brackets with two screws each underneath the worktop.

Lateral fixing:

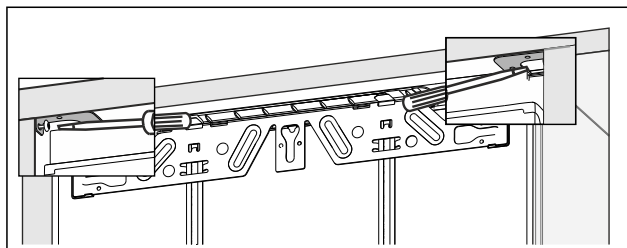


Fig. 18 Example illustration

- ▶ For side mounting, screw the mounting bracket into the niche with one screw on the right and one on the left.

## 11 Fitting the unit door

- ▶ Fit the handle to the unit door.

Note

- To ensure that the pull-out trolley is pulled out evenly:
- ▶ Always fit the unit door handle in the centre of the unit door.

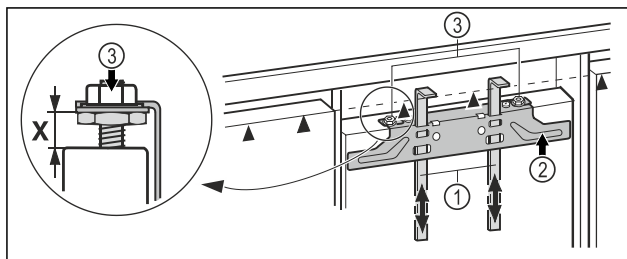


Fig. 19

- ▶ Check the default setting of  $X = 8 \text{ mm}$ . (Distance between appliance door and lower edge of traverse)
- ▶ Push the assembly aids Fig. 19 (1) up to unit door height. Lower stop edge ▲ of the assembly aid = upper edge of the unit door to be assembled.
- ▶ Unscrew the fastening bar Fig. 19 (2) using the lock nuts Fig. 19 (3).

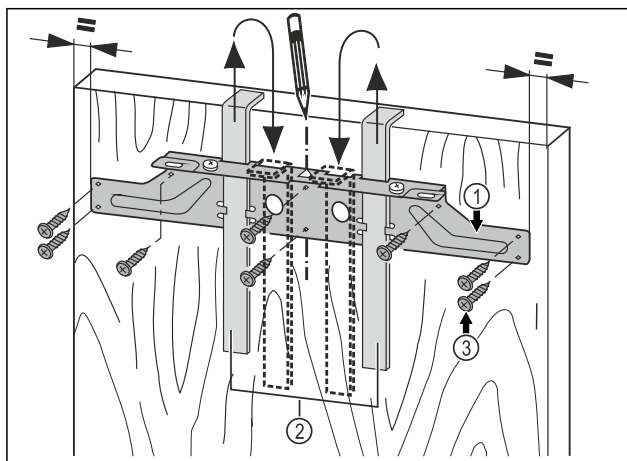


Fig. 20

- ▶ Hang the fastening bar Fig. 20 (1) with the mounting aids on the inside of the unit door Fig. 20 (2).
  - ▶ Align the fastening bar Fig. 20 (1) in the centre of the door.
  - ▶ The distances to the outer edge are the same on the left and right.
- For chipboard doors:**
- ▶ Tighten the mounting bar Fig. 20 (1) with at least 6 screws Fig. 20 (3).

# Connecting the appliance to the power supply

## For panelled doors:

- ▶ Screw the mounting bar Fig. 20 (1) to the edge with 4 screws Fig. 20 (3).
- ▶ Pull the assembly devices Fig. 20 (2) upwards and push them, at an angle, into the receiving openings.

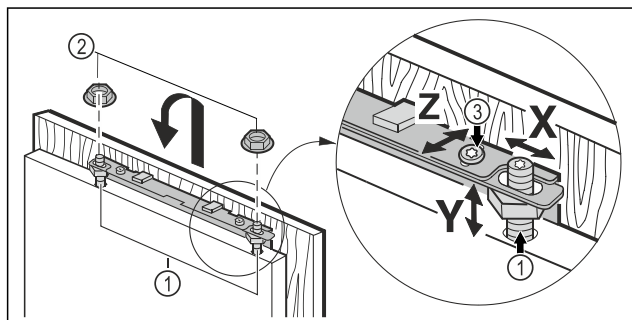


Fig. 21

- ▶ Hook the unit door onto the adjustment bolts Fig. 21 (1) and screw the lock nuts Fig. 21 (2) loosely onto the adjustment bolts.
- ▶ Close the door.
- ▶ Check the distance of the door against the surrounding unit doors.
- ▶ Align the unit door sideways: Move unit door in X direction.
- ▶ Align the unit door in height Y and in the lateral inclination: Adjust the adjustment bolt Fig. 21 (1) with a screwdriver.
- ▶ The unit door is aligned flush with the surrounding unit doors.
- ▶ Tighten the lock nuts Fig. 21 (3).

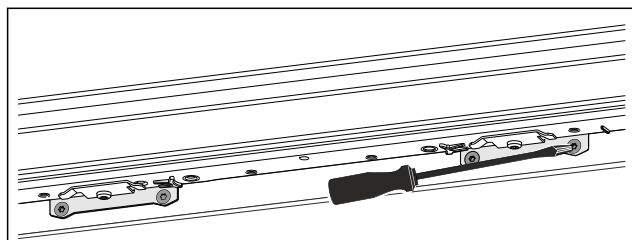


Fig. 22

- ▶ Screw the unit door to the appliance door.
- ▶ Pre-drill the fastening holes in the unit door (if necessary, pre-pierce with a graver).
- ▶ Screw the appliance door to the unit door using screws through the mounting brackets.

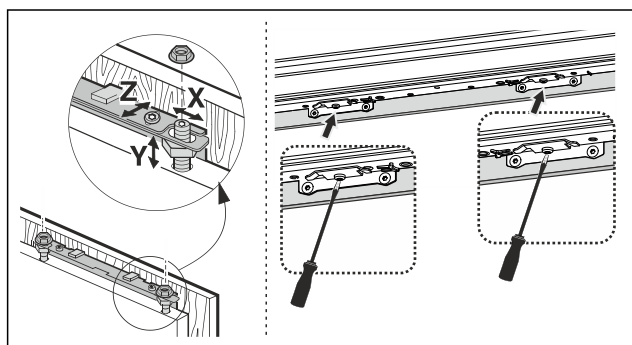


Fig. 23

- ▶ Align the unit door at depth Z: loosen the screws at the top and bottom of the door, then move the door.
- ▶ Do not allow any burrs or sealing lips to touch - this is important for correct function!
- ▶ Allow an air gap of 2 mm between the unit door and the cabiner carcass.

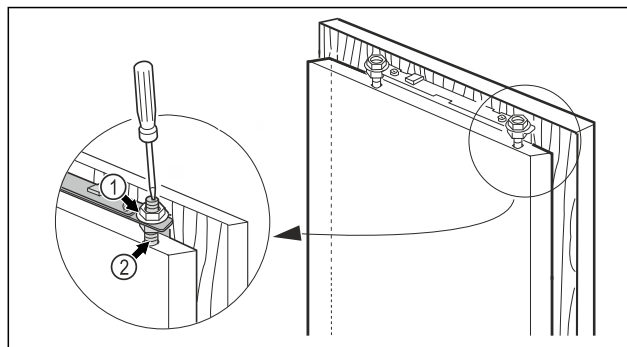
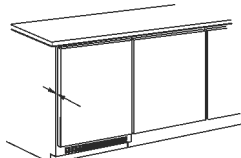


Fig. 24

- ▶ Check the fit of the door and readjust if necessary.
- ▶ Tighten all screws.
- ▶ Tighten the lock nuts Fig. 24 (1) with a hexagon spanner 13, stabilising the adjusting bolt Fig. 24 (2) with a screwdriver.

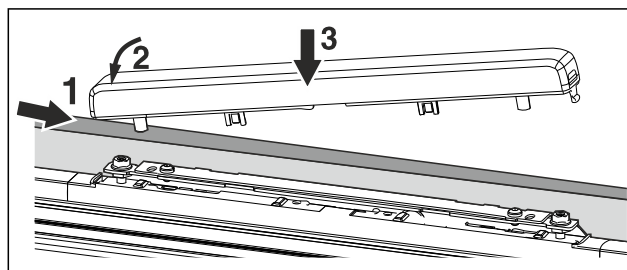


Fig. 25

- ▶ Position the upper cover and engage it.

## 12 Connecting the appliance to the power supply



### WARNING

Danger of electric shock and injury due to damaged appliance or damaged mains cable!

Danger of cuts and fatal injuries. If the appliance or the mains cable is damaged during transport, you may be electrocuted. You could also cut yourself on damaged parts of the appliance housing.

- ▶ Check the appliance and the mains cable for damage after transport.
- ▶ Never put the appliance into operation if the appliance or the mains cable are damaged.
- ▶ Contact Customer Service.

You can connect your appliance to the mains using the power cable supplied separately. The mains power cable has an appliance coupler at one end and a mains plug at the other end.

Make sure that the following requirements are fulfilled:

- The appliance and power cable are undamaged.
- The appliance is installed in accordance with the regulations. (see 10 Recessed installation)
- Requirements for the electrical connection are met.
- Dimensions for connection in accordance with regulations are known and observed.
- Mains voltage and frequency correspond to the specifications on the type plate.
- The socket is earthed according to the regulations and fused.
- The fuse tripping current is between 10 A and 16 A.

# Connecting the appliance to the power supply

---

## NOTICE

Danger of damage to incorrect operation!  
Damage to the electrical components of the appliance.  
▶ Only use the supplied mains cable.

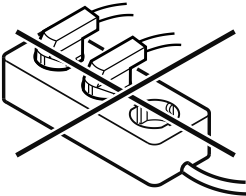
---



## WARNING

Danger of fire due to incorrect connection!  
Burns.  
Damage to the appliance.  
▶ Do not use an extension cable.  
▶ Do not use distributor blocks.

---



## NOTICE

Danger of damage to incorrect connection!  
Damage to the appliance.  
▶ Do not connect the appliance to a stand-alone inverter, e.g. solar power systems and petrol generators.

---

- ▶ Connect the mains cable plug to the power supply. Ensure that the plug is tightly in the socket.
- ▶ If no action occurs within 60 seconds: The standby symbol fades or disappears.\*
- ▶ The appliance is connected. For information regarding first use, see the following section or the operating instructions.





[home.liebherr.com/fridge-manuals](https://home.liebherr.com/fridge-manuals)

**EN** base unit fridges and freezers, pull-out trolley

Issue date: 20260323

**Part number index: 7083760-00**

Liebherr-Hausgeräte GmbH  
Memminger Straße 77-79  
88416 Ochsenhausen  
Deutschland