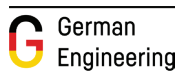


# SC5781 and SCB5790IM

Freestanding counter-depth

# LIEBHERR

## Refrigeration and Freezing



home.liebherr.com



### SC5781 and SCB5790IM

| Energy consumption  |  |
|---|--|
| Left appliance: <b>SC5781</b>   |  |
| Energy consumption in 365 days kWh  | 300**                                    |
| Estimated Yearly Energy Cost in US \$   | 42                                       |
| Right appliance: <b>SCB5790IM</b>   |  |
| Energy consumption in 365 days kWh  | 370**                                    |
| Estimated Yearly Energy Cost in US \$   | 52                                       |
| Capacity  |  |
| Total capacity cu.ft. (l)   | 25.5 (723)                               |
| Refrigerator comp. cu.ft. (l)   | 18.1 (515)                               |
| BioFresh compartment cuft (l)   | 3.4 (96)                                 |
| <b>Sound rating dB(A)</b>   | 33*                                      |
| <b>Ice cube output lbs. (kg) / 24h</b>  | 2.6 (1.2)                                |
| <b>Ice cube stock lbs. (kg)</b>   | 11.9 (5.4)                               |
| <b>Door hinges</b>  | Left / right                             |
| Product dimensions  |  |
| in inch (H / W / D)   | 79 5/16 / 47 3/8 / 26 5/8                |
| in cm (H / W / D)   | 201.5 / 120.4 / 67.5                     |
| Cut out dimensions  |  |
| in inch (H / W / D)   | 80 / 48 / 24                             |
| in cm (H / W / D)   | 203.2 / 121.9 / 60.9                     |
| Energy supply   |  |
| Voltage V / Hz  | 115/60                                   |
| <b>Net weight lbs. (kg)</b>   | 354 (160)                                |
| <b>Ventilation requirements for installation per unit included with cut-out dimension</b> | 200cm <sup>2</sup> / 31 inc <sup>2</sup> |

Models can only be installed Side by Side on the original door swing.

\* Sound rating dB(A) based on a controlled environment reading.

\*\* Estimated energy costs will depend on utility rates and use.

Estimated energy costs are based on a national average electricity cost of 14 cents per kWh.

September, 2025

### Accessories

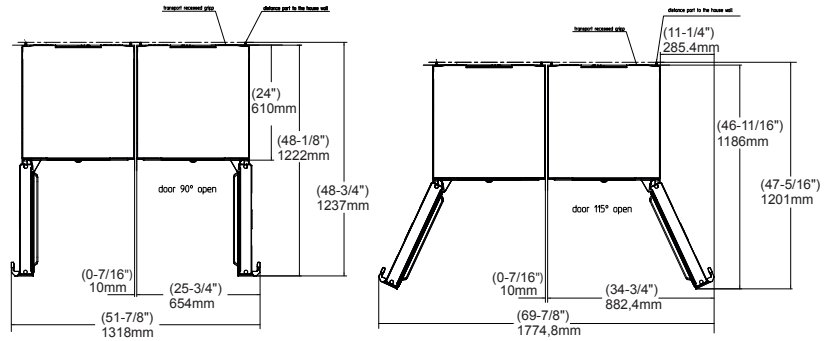
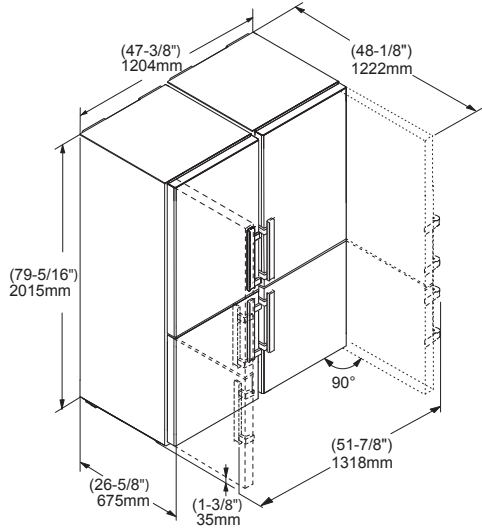
|   |         |
|---|---------|
| <b>Side-by-side kit</b>                     | 9903573 |
| <b>Top Ventilation grill for 84" niche</b>  | 9900368 |
| <b>Door opening limitation</b>              | 9096414 |
| <b>FreshAir carbon activated air filter</b> | 9882460 |

### Features

- Duo Cooling** Lengthen the shelf life and preserve the flavor of your foods with a dual refrigeration system that creates ideal conditions in both the refrigerator and freezer.
- Fish & Seafood Safe** The Fish & Seafood Safe stores fish and seafood at the optimum temperature of 28° F (-2°C) zone as much as you want - and store the remaining meat and dairy products at the optimum 32° F (0 °C). An LED display indicates that the 28° F (-2°C) zone is currently active.
- Vario Temp** VarioTemp means you have plenty of scope when storing food in your fridge freezer. This is because you can also set the accurate temperature in the freezer compartment in a range between 28°F to 57°F (-2°C to 14°C) – and therefore also use this compartment as a further cooling zone.
- Hydro Breeze** Do you want to cool fruit and vegetables like professionals? The cold mist combined with a temperature in the safe of just over 32°F (0°C) gives food that extra boost for longer shelf life.
- Light Tower** Enjoy an optimally illuminated interior: the LightTower shows off the food in its best light and is positioned so that all of your filled fridge is illuminated at all times. The flush mounting of the LightTower in the side walls means there is also more space for your food.

# Diagrams

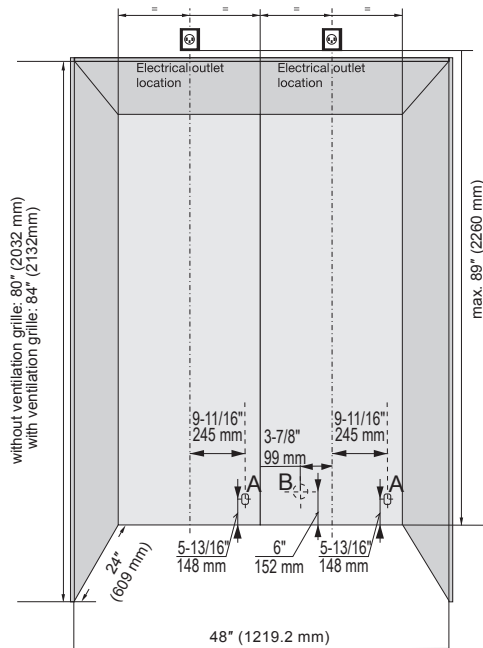
## Product Dimensions



If the appliances are installed with the hinges next to a wall, the distance between the appliance and the wall must be at least 1 1/2" (40 mm). This is how far the handle protrudes when the door is open.

A set for restricting the door opening angle to 90° can be acquired from Customer Services for appliances with soft closing.

## Semi built-in look – Cutout Dimensions

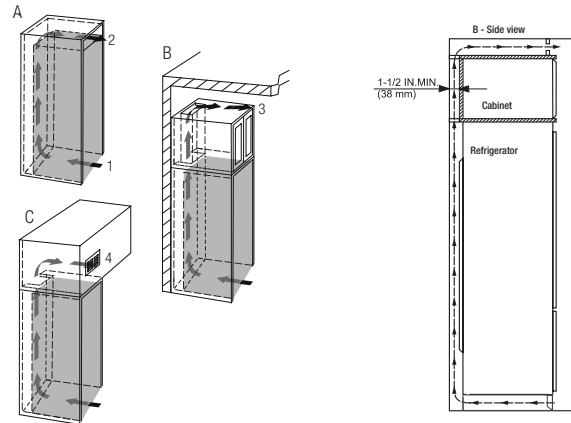


This side by side requires a Side by Side kit to attach both appliances together and provide a finish look.

This side by side combination can be installed in a 84" recess, the remaining gap above the appliances can be covered with a decorative grill 9900 368, adjustable to a width of 48". The decorative grille is intended to be used as a filler for 84" openings.

The decorative top grille is attached to the cabinets / gables on either side of it and not to the appliance itself nor any cabinet above.

## Ventilation Requirements



If the appliance is integrated in a fitted kitchen, the following ventilation requirements must be met: - The spacing fins on the back of the appliance are used to ensure sufficient ventilation. These must not lie in cavities or recesses in their final installation position. - Basically, the larger the ventilation gap, the more energy the appliance saves during operation. Do not restrict the air flow.

A cross-sectional air flow of at least 31 in<sup>2</sup> (200cm<sup>2</sup>) per appliance at the airflow inlet (1) and at the airflow outlet (2).

The top ventilation space can be directed in one of the following ways:

- A. Directly over the appliance (2) with a gap between the ceiling of the unit and the cabinet
- B. Above the cabinet and below the ceiling (3).
- C. Through a vent installed in a soffit (4).

Be sure to consider the possibility of having to raise some of the leveling legs in order to level the appliance when installing. If you adjust the height of the appliance - it will effectively reduce air flow. Therefore leave yourself some room for adjustment. The appliance is designed to allow proper air flow when installed up against the wall.