

---

# A 918 Compact Litronic

---

## LIEBHERR

Wheeled excavator



**Generation**  
8

**Operating weight**  
17,500–19,600 kg

**Engine**  
120 kW / 163 HP  
Stage V

**Bucket capacity**  
0.17–1.05 m<sup>3</sup>

## Performance

Compact, flexible – perfect combination for maximum performance

## Economy

A sound investment – optimum economy and environmentally friendly

## Reliability

Competence, consistency, innovation – proven experience

## Comfort

Ergonomic excellence – superior cab design for operator comfort and wellbeing

## Maintainability

Service every step of the way – simple, fast and reliable







## A 918 Compact Litronic

**Operating weight**

17,500–19,600 kg

**Engine**

120 kW / 163 HP

Stage V

**Bucket capacity**

0.17–1.05 m<sup>3</sup>

# Wheeled excavator

## A 918 Compact Litronic overview

### Innovative cab design meets intuitive controls

- Newly developed cab with advanced intuitive INTUSI operating and dual display concept
  - 10" main display and haptic user feedback
  - 3.5" display with additional user interface for Prio functions
- Smart functions such as personalisable operation and advanced hot-key navigation
- Integration of assistance systems into a user interface
- Intuitive control and feedback logic
- Customisable joystick configurations
- Proportional control with 4-way mini joystick
- Large glass surfaces for a more direct view of the work area
- More legroom thanks to longer cab
- Convenient radio operation with hands-free device
- Automatic air conditioning (standard)
- Powerful LED headlights (standard)
- Joystick steering (optional)
- Comfort/Premium operator's seat (optional)
- Top and front protective guards, hinged (optional)

### Superbly designed equipment for maximum reliability

- Various boom versions and stick lengths
- Liebherr hydraulic cylinders
- Pipe fracture safety valves for hoist and stick cylinders
- Overload warning system (standard)
- Vibration damper (optional)
- Liebherr quick coupling systems (optional)
- Wide selection of Liebherr attachments (optional)







## Next-generation assistance systems

- Seamless bird's eye view of the machine environment with Skyview 360°
- Higher productivity thanks to precise control of the working plane with 2D and 3D machine control
- More adept at working in confined areas with the workspace warning system advance
- MiC 4.0 BUS enables cross-manufacturer communication between construction machines and attachments

## Superior technology for highest economy

- Liebherr diesel engine complies with emission stage V
- Exhaust gas treatment with Liebherr-SCRT technology
- Liebherr-Power-Efficiency (LPE)
- Load sensing control
- Selection of different operating modes (Sensitive, ECO, Power, Power-Plus)
- Sensor-controlled automatic idling

## Sophisticated maintenance concept for maximum productivity

- Fully automatic central lubrication system for upper-carriage and equipment
- Large, wide-opening service doors
- Central maintenance points, including air filter and wiper water on the cab, easily accessible from the ground

## Perfect combination for maximum performance

- Short tail radius
- Various support versions, welded on
- Travel drive integrated in undercarriage
- Automatic service brake
- Liebherr tyres without intermediate ring

# Technical data



## Diesel engine

<b>Rating per ISO 9249</b>	120kW (163HP) at 1,800RPM
<b>Model</b>	D924 - FPT motor designed for Liebherr
<b>Type</b>	4 cylinder in-line
<b>Bore / Stroke</b>	104 / 132 mm
<b>Displacement</b>	4.5 l
<b>Engine operation</b>	4-stroke diesel Common-Rail Turbo-charged and after-cooled Reduced emissions
<b>Air cleaner</b>	Dry-type air cleaner with pre-cleaner, primary and safety elements
<b>Engine idling</b>	Sensor controlled
<b>Electrical system</b>	
<b>Voltage</b>	24 V
<b>Batteries</b>	2 x 135 Ah / 12 V
<b>Alternator</b>	Three-phase current 28 V / 140 A
<b>Stage V</b>	
<b>Harmful emissions values</b>	According to regulation (EU) 2016/1628
<b>Emission control</b>	Liebherr-SCRT technology
<b>Fuel tank</b>	243 l
<b>Urea tank</b>	46 l



## Cooling system

<b>Diesel engine</b>	Water-cooled Compact cooling system consisting cooling unit for water, hydraulic oil and charge air with stepless thermostatically controlled fan, fans for radiator cleaning can be completely folded away
----------------------	----------------------------------------------------------------------------------------------------------------------------------------------------------------------------------------------------------------



## Hydraulic controls

<b>Power distribution</b>	Via control valves with integrated safety valves, simultaneous and independent actuation of chassis, swing drive and equipment
<b>Servo circuit</b>	
<b>Equipment and swing</b>	With electro-hydraulic pilot control and proportional joystick levers
<b>Chassis</b>	Electro-proportional via foot pedal
<b>Additional functions</b>	Via switch or electro-proportional foot pedals
<b>Proportional control</b>	Proportionally acting transmitters on the joysticks for additional hydraulic functions



## Hydraulic system

<b>Hydraulic pump</b>	Liebherr axial piston variable displacement pump
<b>For equipment and travel drive</b>	
<b>Max. flow</b>	300 l/min.
<b>Max. pressure</b>	350 bar
<b>Hydraulic pump regulation and control</b>	Liebherr-Synchron-Comfort-system (LSC) with electronic engine speed sensing regulation, pressure and flow compensation, torque controlled swing drive priority
<b>Hydraulic tank</b>	135 l
<b>Hydraulic system</b>	max. 300 l
<b>Filtration</b>	1 main return filter with integrated partial micro filtration (10 µm)
<b>MODE selection</b>	Adjustment of engine and hydraulic performance via a mode pre-selector to match application, e.g. for especially economical and environmentally friendly operation or for maximum digging performance and heavy-duty jobs
<b>S (Sensitive)</b>	Mode for precision work and lifting through very sensitive movements
<b>E (Eco)</b>	Mode for especially economical and environmentally friendly operation
<b>P (Power)</b>	Mode for high performance with low fuel consumption
<b>P+ (Power-Plus)</b>	Mode for highest performance and for very heavy duty applications, suitable for continuous operation
<b>Engine speed and performance setting</b>	Stepless alignment of engine output and hydraulic power via engine speed
<b>Option</b>	Tool Control: 20 pre-adjustable pump flows and pressures for add-on attachments



## Swing drive

<b>Drive</b>	Liebherr axial piston motor with adjustable run-out braking torque
<b>Swing ring</b>	Liebherr, sealed race ball bearing swing ring, internal teeth
<b>Swing speed</b>	0-10.0 RPM stepless
<b>Swing torque</b>	54 kNm
<b>Holding brake</b>	Wet multi-disc (spring applied, pressure released)
<b>Option</b>	Positioning swing brake manual Positioning swing brake automatic

## Cab

<b>Cab</b>	ROPS safety cab structure (roll-over protection system) with individual windscreens or featuring a slide-in subpart under the ceiling, headlights integrated in the ceiling, a door with a sliding window, large stowing and depositing possibilities, shock-absorbing suspension, sound damping insulating, laminated safety glass, separate window shades for the sunroof window and windscreen
<b>Operator's seat Standard</b>	Air cushioned operator's seat with 3D-adjustable armrests, headrest, lap belt, seat heater, manual weight adjustment, adjustable seat cushion inclination and length and mechanical lumbar vertebrae support
<b>Operator's seat Comfort (Option)</b>	In addition to operator's seat standard: lockable horizontal suspension, automatic weight adjustment, adjustable suspension stiffness, pneumatic lumbar vertebrae support, passive seat climatisation with active coal and seat heater (2-stage)
<b>Operator's seat Premium (Option)</b>	In addition to operator's seat comfort: active electronic weight adjustment (automatic readjustment), pneumatic low frequency suspension and active seat climatisation with active coal and ventilator
<b>Arm consoles</b>	Joysticks with control consoles and swivel seat, folding left control console
<b>Operation and displays</b>	Large high-resolution operating unit, self-explanatory, colour display with touchscreen, video-compatible, numerous setting, control and monitoring options, e.g. air conditioning control, fuel consumption, machine and attachment parameters
<b>Air-conditioning</b>	Automatic air-conditioning, recirculated air function, fast de-icing and demisting at the press of a button, air vents can be operated via a menu; recirculated air and fresh air filters can be easily replaced and are accessible from the outside; heating-cooling unit, designed for extreme outside temperatures, sensors for solar radiation, inside and outside temperatures (country-dependent)
Refrigerant	R134a
Global warming potential	1,430
Quantity at 25 °C	1,300 g
CO <sub>2</sub> equivalent	1.859 t
<b>Vibration emission*</b>	
Hand / arm vibrations	< 2.5 m/s <sup>2</sup>
Whole-body vibrations	< 0.5 m/s <sup>2</sup>
Measuring inaccuracy	According with standard EN 12096:1997

## Undercarriage

<b>Drive</b>	Oversized two speed power shift transmission with additional creeper speed, Liebherr axial piston motor with functional brake valve on both sides
<b>Pulling force</b>	127 kN
<b>Travel speed</b>	0- 3.5 km/h stepless (creeper speed off-road) 0- 7.0 km/h stepless (off-road) 0-13.0 km/h stepless (creeper speed on-road) 0-20.0 km/h stepless (road travel) 0-max. 30.0 or 37.0 km/h Speeder (option)
<b>Driving operation</b>	Automotive driving using accelerator pedal, cruise control function: storage of variable accelerator pedal positions, both off-road and on-road
<b>Axles</b>	Manual or automatic hydraulically controlled front axle oscillation lock
<b>Service brake</b>	Two circuit travel brake system with accumulator, wet and backlash-free disc brake
<b>Automatic digging brake</b>	Works automatically when driving off (accelerator pedal actuation) and when the machine is stationary (engagement); the digging brake engages automatically - can be coupled with automatic swing axle lock
<b>Holding brake</b>	Wet multi-disc (spring applied, pressure released)
<b>Stabilization</b>	Rear stabilizer blade (adjustable during travel for dozing) Rear outriggers + front stabilizer blade
<b>Option</b>	EW undercarriage 2.75 m / 9'

## Equipment

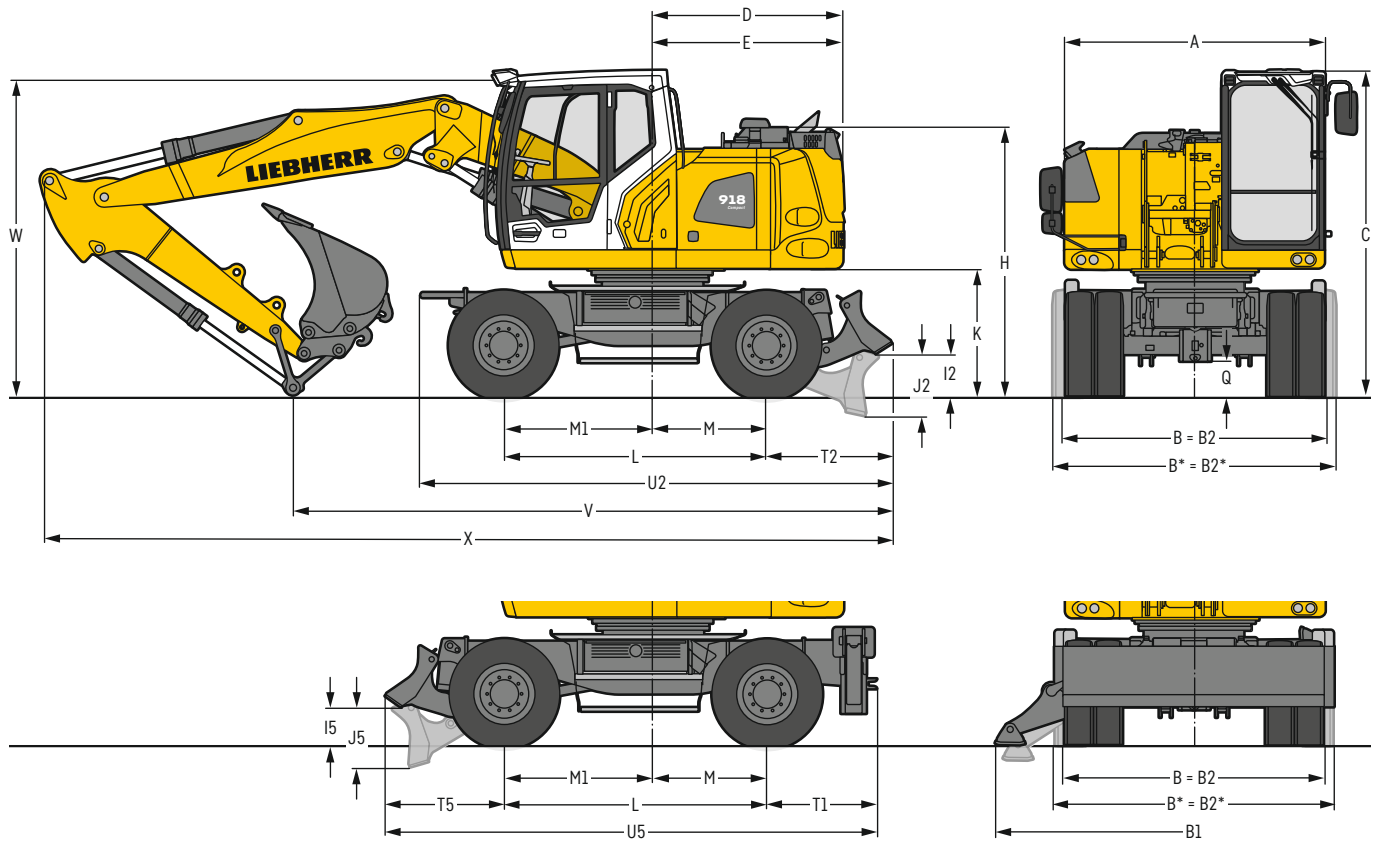
<b>Type</b>	High-strength steel plates at highly-stressed points for the toughest requirements. Complex and stable mountings of equipment and cylinders
<b>Hydraulic cylinders</b>	Liebherr cylinders with special sealing and guide system and, depending on cylinder type, shock absorption
<b>Bearings</b>	Sealed, low maintenance

## Complete machine

<b>Lubrication</b>	Liebherr central lubrication system for uppercarriage and equipment, automatically
<b>Noise emission</b>	
ISO 6396	71 dB(A) = L <sub>pA</sub> (inside cab)
2000/14/EC	100 dB(A) = L <sub>WA</sub> (surround noise)

\* for risk assessment according to 2002/44/EC see ISO/TR 25398:2006

# Dimensions



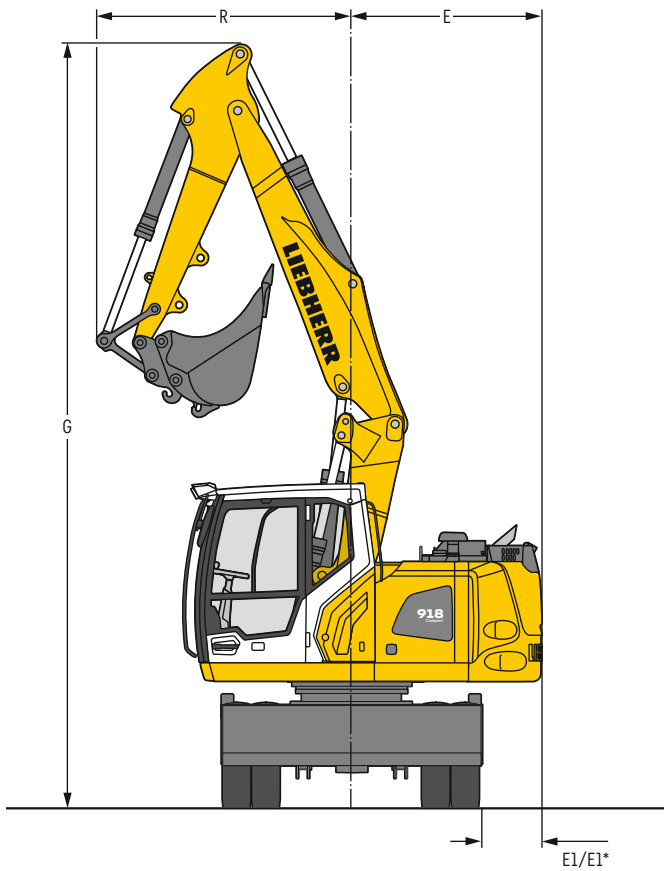


	mm
A	2,525
B	2,540
B*	2,750
B1	3,695
B2	2,540
B2*	2,750
C	3,160
D	1,850
E	1,850
H	2,600
I2	410
I5	370
J2	605
J5	580
K	1,205
L	2,540
M	1,100
M1	1,440
Q	340
T1	1,047
T2	1,230
T5	1,155
U2	4,575
U5	4,765

\* EW undercarriage  
E = Tail radius  
Tyres 290/90-20

	Stick m	Two-piece boom 5.05 m	
		Rear blade mm	Rear outriggers + front blade mm
V	2.25	5,900	5,750
	2.45	5,800	5,650
	2.65	5,550	5,850*
W	2.25	3,000	3,000
	2.45	3,050	3,050
	2.65	3,050	3,050*
X	2.25	8,300	8,100
	2.45	8,300	8,100
	2.65	8,300	8,550*

Dimensions are with equipment over steering axle  
\* Equipment over digging axle for shorter transport dimensions  
W = Max. ground clearance including approx. 150mm piping

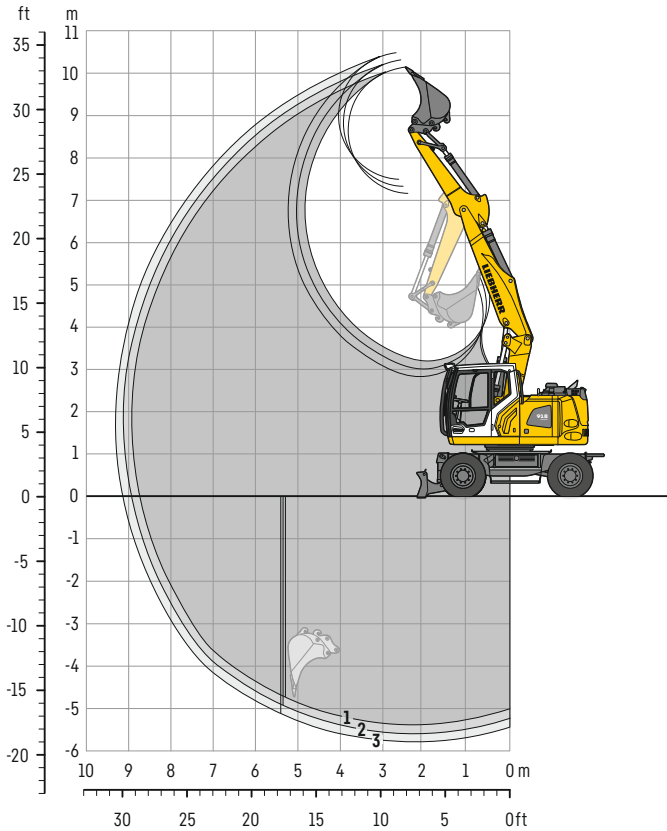


Boom	Stick m	G mm	R mm	E mm	E1/E1* mm
Two-piece boom	2.25	7,430	2,395	1,850	580/475*
Two-piece boom	2.45	7,430	2,470	1,850	580/475*
Two-piece boom	2.65	7,430	2,550	1,850	580/475*

\* EW undercarriage

# Backhoe bucket

with two-piece boom 5.05 m



## Digging envelope

with quick coupler		1	2	3
Stick length	m	2.25	2.45	2.65
Max. digging depth	m	5.40	5.60	5.80
Max. reach at ground level	m	8.75	8.95	9.15
Max. dumping height	m	7.15	7.30	7.50
Max. teeth height	m	10.15	10.30	10.50
Min. equipment radius	m	2.40	2.47	2.55

## Digging forces

without quick coupler		1	2	3
Max. digging force (ISO 6015)	kN	82.4	77.1	72.5
	t	8.4	7.9	7.4
Max. breakout force (ISO 6015)	kN	95.0	95.0	95.0
	t	9.7	9.7	9.7

Max. breakout force with ripper bucket

92.8 kN (9.5 t)

## Operating weight

The operating weight includes the basic machine with 8 tyres plus intermediate rings, two-piece boom 5.05 m, stick 2.45 m, quick coupler SWA 33 and bucket 850 mm / 0.60 m<sup>3</sup>.

Undercarriage versions	Weight (kg)
A 918 Compact Litronic with rear blade	17,500
A 918 Compact Litronic with rear outriggers + front blade	18,500
A 918 Compact EW Litronic with rear blade	17,600
A 918 Compact EW Litronic with rear outriggers + front blade	18,600

## Buckets Machine stability per ISO 10567\* (75% of tipping capacity)

Cutting width mm	Capacity ISO 7451 <sup>1)</sup> m <sup>3</sup>	Weight kg	Stabilizers raised			Rear blade down			Rear outriggers + front blade down			EW Stabilizers raised			EW Rear blade down			EW Rear outriggers + front blade down		
			Stick length (m)			Stick length (m)			Stick length (m)			Stick length (m)			Stick length (m)			Stick length (m)		
			2.25	2.45	2.65	2.25	2.45	2.65	2.25	2.45	2.65	2.25	2.45	2.65	2.25	2.45	2.65	2.25	2.45	2.65
500 <sup>2)</sup>	0.30	300	■	■	■	■	■	■	■	■	■	■	■	■	■	■	■	■	■	■
650 <sup>2)</sup>	0.42	360	■	■	■	■	■	■	■	■	■	■	■	■	■	■	■	■	■	■
850 <sup>2)</sup>	0.60	410	■	■	■	■	■	■	■	■	■	■	■	■	■	■	■	■	■	■
1,050 <sup>2)</sup>	0.80	490	■	■	■	■	■	■	■	■	■	■	■	■	■	■	■	■	■	■
1,250 <sup>2)</sup>	0.95	540	△	△	△	■	■	△	■	■	■	■	■	△	■	■	■	■	■	■
500 <sup>3)</sup>	0.30	330	■	■	■	■	■	■	■	■	■	■	■	■	■	■	■	■	■	■
650 <sup>3)</sup>	0.42	390	■	■	■	■	■	■	■	■	■	■	■	■	■	■	■	■	■	■
850 <sup>3)</sup>	0.60	460	■	■	■	■	■	■	■	■	■	■	■	■	■	■	■	■	■	■
1,050 <sup>3)</sup>	0.80	550	■	■	△	■	■	■	■	■	■	■	■	■	■	■	■	■	■	■
1,250 <sup>3)</sup>	0.95	600	△	△	-	■	■	△	■	■	■	■	△	△	■	■	■	■	■	■
500 <sup>4)</sup>	0.32	310	■	■	■	■	■	■	■	■	■	■	■	■	■	■	■	■	■	■
650 <sup>4)</sup>	0.45	380	■	■	■	■	■	■	■	■	■	■	■	■	■	■	■	■	■	■
850 <sup>4)</sup>	0.65	430	■	■	■	■	■	■	■	■	■	■	■	■	■	■	■	■	■	■
1,050 <sup>4)</sup>	0.85	530	■	△	△	■	■	■	■	■	■	■	■	■	■	■	■	■	■	■
1,250 <sup>4)</sup>	1.05	570	△	-	-	△	△	△	■	■	■	△	△	△	■	■	■	■	■	■

\* Indicated loads are based on ISO 10567 and do not exceed 75% of tipping or 87% of hydraulic capacity, max. stick length without quick coupler, lifted 360° on firm with blocked oscillating axle

<sup>1)</sup> comparable with SAE (heaped)

<sup>2)</sup> Bucket with teeth <sup>3)</sup> Bucket with teeth in HD version <sup>4)</sup> Bucket with cutting edge (also available in HD version)

Buckets with 500 mm cutting width with limited digging depth

Max. material weight ■ = ≤ 1.8 t/m<sup>3</sup>, ■ = ≤ 1.5 t/m<sup>3</sup>, △ = ≤ 1.2 t/m<sup>3</sup>, - = not authorised

# Lift capacities

## with two-piece boom 5.05 m

### Stick 2.25 m

m	Undercarriage stabilized		3.0 m		4.5 m		6.0 m		7.5 m		m
	rear	front									
7.5	-	-	-	-	-	-	-	-	-	-	5.0
	Blade	-	3.6*	3.6*	3.6*	3.6*	-	-	2.4*	2.4*	
	Outriggers	Blade	3.6*	3.6*	3.6*	3.6*	-	-	2.4*	2.4*	
6.0	-	-	4.4	4.7*	4.4	4.7*	2.7	3.3*	2.2*	2.2*	6.3
	Blade	-	4.7*	4.7*	4.7*	4.7*	3.0	3.3*	2.2*	2.2*	
	Outriggers	Blade	4.7*	4.7*	4.7*	4.7*	3.3*	3.3*	2.2*	2.2*	
4.5	-	-	6.2*	6.2*	4.3	5.8*	2.7	4.4	1.9	2.1*	7.1
	Blade	-	6.2*	6.2*	4.6	6.6*	3.0	4.8*	2.1*	2.1*	
	Outriggers	Blade	6.2*	6.2*	5.8*	5.8*	4.5	4.8*	2.1*	2.1*	
3.0	-	-	7.5	10.2*	4.2	6.6	2.7	4.4	1.7	2.5*	7.6
	Blade	-	8.2	10.2*	4.6	6.6*	3.0	5.1*	1.9	2.5*	
	Outriggers	Blade	10.2*	10.2*	6.6*	6.6*	4.5	5.1*	2.5*	2.5*	
1.5	-	-	7.3	10.7*	4.2	6.5	2.6	4.3	1.7	2.9	7.7
	Blade	-	8.1	10.7*	4.6	7.3*	2.9	5.4*	1.9	3.2*	
	Outriggers	Blade	10.7*	10.7*	6.6	7.3*	4.4	5.4*	3.0	3.2*	
0	-	-	7.1	11.5*	3.9	6.5	2.4	4.1	1.6	2.6*	7.4
	Blade	-	8.1	11.5*	4.4	7.4*	2.7	5.4*	1.8	2.6*	
	Outriggers	Blade	11.5*	11.5*	6.6	7.4*	4.3	5.4*	2.6*	2.6*	
-1.5	-	-	6.7	11.8*	3.7	6.5	2.3	4.0	1.8	3.1*	6.9
	Blade	-	7.6	11.8*	4.1	7.5*	2.5	5.3*	2.0	3.1*	
	Outriggers	Blade	11.8*	11.8*	6.6	7.5*	4.1	5.3*	3.1*	3.1*	
-3.0	-	-	6.5	11.9*	3.4	6.2	-	-	2.3	3.2*	5.9
	Blade	-	7.4	11.9*	3.9	6.8*	-	-	2.6	3.2*	
	Outriggers	Blade	11.9*	11.9*	6.3	6.8*	-	-	3.2*	3.2*	

### Stick 2.45 m

m	Undercarriage stabilized		3.0 m		4.5 m		6.0 m		7.5 m		m
	rear	front									
7.5	-	-	-	-	-	-	-	-	-	-	5.3
	Blade	-	3.7*	3.7*	3.7*	3.7*	-	-	2.2*	2.2*	
	Outriggers	Blade	3.7*	3.7*	3.7*	3.7*	-	-	2.2*	2.2*	
6.0	-	-	4.4*	4.4*	4.4*	4.4*	2.7	3.4*	2.0*	2.0*	6.6
	Blade	-	4.4*	4.4*	4.4*	4.4*	3.0	3.4*	2.0*	2.0*	
	Outriggers	Blade	4.4*	4.4*	4.4*	4.4*	3.4*	3.4*	2.0*	2.0*	
4.5	-	-	5.2*	5.2*	4.3	5.4*	2.8	4.4	1.8	1.9*	7.4
	Blade	-	5.2*	5.2*	4.8	5.4*	3.1	4.7*	1.9*	1.9*	
	Outriggers	Blade	5.2*	5.2*	5.4*	5.4*	4.5	4.7*	1.9*	1.9*	
3.0	-	-	7.5	9.8*	4.2	6.5*	2.7	4.4	1.7	3.0	7.8
	Blade	-	8.3	9.8*	4.6	6.5*	3.0	5.0*	1.9	3.1*	
	Outriggers	Blade	9.8*	9.8*	6.5*	6.5*	4.5	5.0*	3.0	3.1*	
1.5	-	-	7.2	10.7*	4.1	6.4	2.6	4.3	1.7	2.9	7.9
	Blade	-	8.0	10.7*	4.5	7.2*	2.9	5.3*	1.9	3.8*	
	Outriggers	Blade	10.7*	10.7*	6.6	7.2*	4.4	5.3*	3.0	3.8*	
0	-	-	7.1	11.4*	4.0	6.5	2.5	4.2	1.6	2.8	7.7
	Blade	-	8.1	11.4*	4.4	7.4*	2.8	5.4*	1.8	3.3*	
	Outriggers	Blade	11.4*	11.4*	6.6	7.4*	4.3	5.4*	2.9	3.3*	
-1.5	-	-	6.7	11.7*	3.7	6.5	2.3	4.0	1.7	2.8*	7.1
	Blade	-	7.6	11.7*	4.2	7.5*	2.6	5.4*	1.9	2.8*	
	Outriggers	Blade	11.7*	11.7*	6.7	7.5*	4.1	5.4*	2.8*	2.8*	
-3.0	-	-	6.5	12.1*	3.4	6.2	2.2	3.6*	2.1	3.1*	6.2
	Blade	-	7.5	12.1*	3.9	7.2*	2.5	3.6*	2.3	3.1*	
	Outriggers	Blade	12.1*	12.1*	6.3	7.2*	3.6*	3.6*	3.1*	3.1*	

### Stick 2.65 m

m	Undercarriage stabilized		3.0 m		4.5 m		6.0 m		7.5 m		m
	rear	front									
9.0	-	-	-	-	-	-	-	-	2.8*	2.8*	3.2
	Blade	-	-	-	-	-	-	-	2.8*	2.8*	
	Outriggers	Blade	-	-	-	-	-	-	2.8*	2.8*	
7.5	-	-	3.6*	3.6*	3.6*	3.6*	-	-	2.0*	2.0*	5.6
	Blade	-	3.6*	3.6*	3.6*	3.6*	-	-	2.0*	2.0*	
	Outriggers	Blade	3.6*	3.6*	3.6*	3.6*	-	-	2.0*	2.0*	
6.0	-	-	4.0*	4.0*	2.8	3.4*	-	-	1.8*	1.8*	6.8
	Blade	-	4.0*	4.0*	3.0	3.4*	-	-	1.8*	1.8*	
	Outriggers	Blade	4.0*	4.0*	3.4*	3.4*	-	-	1.8*	1.8*	
4.5	-	-	4.3	4.8*	2.8	4.4*	1.8	2.0*	1.7	1.7*	7.6
	Blade	-	4.7	4.8*	3.1	4.4*	2.0	2.0*	1.7*	1.7*	
	Outriggers	Blade	4.8*	4.8*	4.4*	4.4*	2.0*	2.0*	1.7*	1.7*	
3.0	-	-	7.5	9.4*	4.2	6.3*	2.8	4.3	1.7	3.0	8.0
	Blade	-	8.3	9.4*	4.6	6.3*	3.1	4.9*	2.0	3.3*	
	Outriggers	Blade	9.4*	9.4*	6.3*	6.3*	4.4	4.9*	3.0	3.3*	
1.5	-	-	7.2	10.6*	4.1	6.4	2.7	4.3	1.7	2.9	8.0
	Blade	-	8.0	10.6*	4.5	7.1*	3.0	5.2*	1.9	4.1*	
	Outriggers	Blade	10.6*	10.6*	6.5	7.1*	4.4	5.2*	3.0	4.1*	
0	-	-	7.2	11.3*	4.0	6.4	2.5	4.2	1.6	2.8	7.9
	Blade	-	8.0	11.3*	4.4	7.3*	2.8	5.3*	1.8	4.0*	
	Outriggers	Blade	11.3*	11.3*	6.5	7.3*	4.3	5.3*	2.9	4.0*	
-1.5	-	-	6.7	11.6*	3.7	6.5	2.3	4.0	1.6	2.5*	7.3
	Blade	-	7.6	11.6*	4.2	7.4*	2.6	5.4*	1.8	2.5*	
	Outriggers	Blade	11.6*	11.6*	6.7	7.4*	4.1	5.4*	2.5*	2.5*	
-3.0	-	-	6.5	12.1*	3.4	6.2	2.1	3.9	1.9	3.1*	6.4
	Blade	-	7.5	12.1*	3.9	7.4*	2.4	4.2*	2.2	3.1*	
	Outriggers	Blade	12.1*	12.1*	6.3	7.4*	4.0	4.2*	3.1*	3.1*	
-4.5	-	-	6.3	7.8*	-	-	-	-	4.8	5.9*	3.5
	Blade	-	7.2	7.8*	-	-	-	-	5.5	5.9*	
	Outriggers	Blade	7.8*	7.8*	-	-	-	-	5.9*	5.9*	

Height Can be slewed through 360° In longitudinal position of undercarriage Max. reach \* Limited by hydr. capacity

The lift capacities on the load hook of the Liebherr quick coupler SWA 33 without attachment are stated in metric tons (t) and are valid on a firm, level supporting surface with blocked oscillating axle. These capacities can be slewed through 360° with the undercarriage in the transverse position. Capacities in the longitudinal position of the undercarriage ( $\pm 15^\circ$ ) are specified over the steering axle with the stabilizers raised and over the rigid axle with the stabilizers down. The values apply when the adjusting cylinder is in the optimal position. Indicated loads based on the ISO 10567 standard and do not exceed 75% of tipping or 87% of hydraulic capacity, or are limited by the permissible load of the load hook on the quick coupler (max. 5 t). Without the quick coupler, lift capacities will increase by up to 110 kg.

In accordance with the harmonised European Standard EN 474-5, hydraulic excavators used for lifting operations must be equipped with pipe fracture safety valves, an overload warning device, a load hook and a lift capacity chart.



# Lift capacities

with two-piece boom 5.05 m, EW undercarriage

## Stick 2.25 m

m	Undercarriage stabilized		3.0 m		4.5 m		6.0 m		7.5 m		m
	rear	front	rear	front	rear	front	rear	front	rear	front	
7.5	-	-							2.4*	2.4*	5.0
	Blade	-							2.4*	2.4*	
	Outriggers	Blade							2.4*	2.4*	
6.0	-	-							2.2*	2.2*	6.3
	Blade	-							2.2*	2.2*	
	Outriggers	Blade							2.2*	2.2*	
4.5	-	-							2.1*	2.1*	7.1
	Blade	-	6.2* 6.2*	4.7 5.8*	3.0 4.4	3.3 5.1*	2.1 2.5*	2.1 2.5*	2.1*	2.1*	
	Outriggers	Blade	6.2* 6.2*	5.8* 5.8*	4.7 4.8*	3.3 3.3*	2.1* 2.1*	2.1* 2.1*	2.1*	2.1*	
3.0	-	-							1.9 2.5*	1.9 2.1*	7.6
	Blade	-	8.2 10.2*	4.6 6.6	3.0 4.4	3.3 5.1*	2.1 2.5*	2.1 2.5*	1.9 2.1*	1.9 2.1*	
	Outriggers	Blade	10.2* 10.2*	6.6* 6.6*	4.6 5.1*	4.6 5.1*	2.5* 2.5*	2.5* 2.5*	2.1*	2.1*	
1.5	-	-							1.8 2.3*	1.8 2.3*	7.7
	Blade	-	8.0 10.7*	4.5 6.5	2.9 4.3	3.2 5.4*	2.1 3.2*	2.1 3.2*	1.8 2.3*	1.8 2.3*	
	Outriggers	Blade	10.7* 10.7*	6.9 7.3*	4.6 5.4*	4.6 5.4*	3.1 3.2*	3.1 3.2*	2.3*	2.3*	
0	-	-							1.8 2.6*	1.8 2.6*	7.4
	Blade	-	8.0 11.5*	4.4 6.5	2.7 4.2	3.0 5.4*	2.0 3.1*	2.0 3.1*	1.8 2.6*	1.8 2.6*	
	Outriggers	Blade	11.5* 11.5*	6.9 7.4*	4.5 5.4*	4.5 5.4*	2.6* 2.6*	2.6* 2.6*	2.0*	2.0*	
-1.5	-	-							2.0 3.1*	2.0 3.1*	6.9
	Blade	-	8.7 11.8*	4.6 7.5*	2.9 5.3*	3.1 5.4*	2.0 3.1*	2.0 3.1*	2.3 3.1*	2.3 3.1*	
	Outriggers	Blade	11.8* 11.8*	7.0 7.5*	4.3 5.3*	4.3 5.3*	2.5 3.2*	2.5 3.2*	3.1*	3.1*	
-3.0	-	-							2.9 3.2*	2.9 3.2*	5.9
	Blade	-	7.4 11.9*	3.8 6.2					2.9 3.2*	2.9 3.2*	
	Outriggers	Blade	11.9* 11.9*	6.7 6.8*					3.2*	3.2*	

## Stick 2.45 m

m	Undercarriage stabilized		3.0 m		4.5 m		6.0 m		7.5 m		m
	rear	front	rear	front	rear	front	rear	front	rear	front	
7.5	-	-									5.3
	Blade	-									
	Outriggers	Blade									
6.0	-	-									6.6
	Blade	-									
	Outriggers	Blade									
4.5	-	-									7.4
	Blade	-	5.2* 5.2*	4.7 5.4*	3.0 4.4	3.3 5.4*	2.1 2.5*	2.1 2.5*	1.9*	1.9*	
	Outriggers	Blade	5.2* 5.2*	5.4* 5.4*	4.7* 4.7*	4.7* 4.7*	1.9* 1.9*	1.9* 1.9*	1.9*	1.9*	
3.0	-	-							1.9 3.0	1.8 1.9*	7.8
	Blade	-	8.2* 9.8*	4.6 6.5*	3.0 4.4	3.3 5.0*	2.2 3.1*	2.2 3.1*	1.9*	1.9*	
	Outriggers	Blade	9.8* 9.8*	6.5* 6.5*	4.6 5.0*	4.6 5.0*	3.1* 3.1*	3.1* 3.1*	1.9*	1.9*	
1.5	-	-							1.9 2.9	1.7 2.1*	7.9
	Blade	-	8.0 10.7*	4.5 6.5	2.9 4.4	3.2 5.3*	2.1 3.8*	2.1 3.8*	1.9 2.1*	1.7 2.1*	
	Outriggers	Blade	10.7* 10.7*	6.8 7.2*	4.6 5.3*	4.6 5.3*	3.1 3.8*	3.1 3.8*	2.1*	2.1*	
0	-	-							1.8 2.8	1.7 2.3*	7.7
	Blade	-	8.0 11.4*	4.4 6.5	2.7 4.2	3.1 5.4*	2.0 3.3*	2.0 3.3*	2.0 2.3*	2.0 2.3*	
	Outriggers	Blade	11.4* 11.4*	6.9 7.4*	4.5 5.4*	4.5 5.4*	3.1 3.3*	3.1 3.3*	2.3*	2.3*	
-1.5	-	-							1.9 2.8*	1.9 2.8*	7.1
	Blade	-	8.7 11.7*	4.7 7.5*	2.9 5.4*	3.1 5.4*	2.1 2.8*	2.1 2.8*	2.1 2.8*	2.1 2.8*	
	Outriggers	Blade	11.7* 11.7*	7.0 7.5*	4.3 5.4*	4.3 5.4*	2.8* 2.8*	2.8* 2.8*	2.3 3.1*	2.3 3.1*	
-3.0	-	-							2.6 3.6*	2.6 3.6*	6.2
	Blade	-	7.4 12.1*	3.8 6.2	2.4 3.6*	2.4 3.6*	2.3 3.1*	2.3 3.1*	2.6 3.6*	2.6 3.6*	
	Outriggers	Blade	12.1* 12.1*	6.7 7.2*	3.6* 3.6*	3.6* 3.6*	3.1* 3.1*	3.1* 3.1*	2.6 3.6*	2.6 3.6*	

## Stick 2.65 m

m	Undercarriage stabilized		3.0 m		4.5 m		6.0 m		7.5 m		m
	rear	front	rear	front	rear	front	rear	front	rear	front	
9.0	-	-									3.2
	Blade	-									
	Outriggers	Blade									
7.5	-	-									5.6
	Blade	-									
	Outriggers	Blade									
6.0	-	-									6.8
	Blade	-									
	Outriggers	Blade									
4.5	-	-									7.6
	Blade	-									
	Outriggers	Blade									
3.0	-	-									8.0
	Blade	-									
	Outriggers	Blade									
1.5	-	-									8.0
	Blade	-	8.2 9.4*	4.6 6.3*	3.0 4.4	3.4 4.9*	2.2 3.3*	2.2 3.3*	1.7* 1.7*	1.7* 1.7*	
	Outriggers	Blade	9.4* 9.4*	6.3* 6.3*	4.6 4.9*	4.6 4.9*	3.2 3.3*	3.2 3.3*	1.7*	1.7*	
0	-	-									7.9
	Blade	-	8.0 10.6*	4.5 6.4	2.9 4.3	3.4 4.9*	2.2 3.3*	2.2 3.3*	1.6 1.9*	1.6 1.9*	
	Outriggers	Blade	10.6* 10.6*	6.8 7.1*	4.6 5.2*	4.6 5.2*	3.1 4.1*	3.1 4.1*	1.9*	1.9*	
-1.5	-	-									7.3
	Blade	-	8.0 11.3*	4.4 6.4	2.8 4.2	3.1 5.3*	2.0 4.0*	2.0 4.0*	1.6 2.1*	1.6 2.1*	
	Outriggers	Blade	11.3* 11.3*	6.8 7.3*	4.5 5.3*	4.5 5.3*	3.0 4.0*	3.0 4.0*	2.1*	2.1*	
-3.0	-	-									6.4
	Blade	-	7.6 11.6*	4.1 6.6	2.5 4.0	3.0 4.0*	2.1* 2.1*	2.1* 2.1*	1.8 2.5*	1.8 2.5*	
	Outriggers	Blade	11.6* 11.6*	7.0 7.4*	4.3 5.4*	4.3 5.4*	2.5* 2.5*	2.5* 2.5*	2.2 3.1*	2.2 3.1*	
-4.5	-	-									3.5
	Blade	-	7.4 12.1*	3.8 6.2	2.4 3.9						
	Outriggers	Blade	12.1* 12.1*	6.7 7.4*	4.2* 4.2*						

 Height  Can be slewed through 360°  In longitudinal position of undercarriage  Max. reach \* Limited by hydr. capacity

The lift capacities on the load hook of the Liebherr quick coupler SWA 33 without attachment are stated in metric tons (t) and are valid on a firm, level supporting surface with blocked oscillating axle. These capacities can be slewed through 360° with the undercarriage in the transverse position. Capacities in the longitudinal position of the undercarriage ( $\pm 15^\circ$ ) are specified over the steering axle with the stabilizers raised and over the rigid axle with the stabilizers down. The values apply when the adjusting cylinder is in the optimal position. Indicated loads based on the ISO 10567 standard and do not exceed 75% of tipping or 87% of hydraulic capacity, or are limited by the permissible load of the load hook on the quick coupler (max. 5 t). Without the quick coupler, lift capacities will increase by up to 110 kg.

In accordance with the harmonised European Standard EN 474-5, hydraulic excavators used for lifting operations must be equipped with pipe fracture safety valves, an overload warning device, a load hook and a lift capacity chart.

# Equipments

## Clamshell grabs

### Clamshell grabs GMZ 18 Machine stability per ISO 10567\* (75% of tipping capacity)

Width of clamshells mm	Capacity m <sup>3</sup>	Weight kg	Stabilizers raised			Rear blade down			Rear outriggers + front blade down			EW Stabilizers raised			EW Rear blade down			EW Rear outriggers + front blade down		
			Stick length (m)			Stick length (m)			Stick length (m)			Stick length (m)			Stick length (m)			Stick length (m)		
			2.25	2.45	2.65	2.25	2.45	2.65	2.25	2.45	2.65	2.25	2.45	2.65	2.25	2.45	2.65	2.25	2.45	2.65
<b>Two-piece boom 5.05 m</b>																				
320 <sup>1)</sup>	0.17	700	■	■	■	■	■	■	■	■	■	■	■	■	■	■	■	■	■	
400 <sup>1)</sup>	0.22	730	■	■	■	■	■	■	■	■	■	■	■	■	■	■	■	■	■	
600 <sup>1)</sup>	0.30	740	■	■	■	■	■	■	■	■	■	■	■	■	■	■	■	■	■	
800 <sup>1)</sup>	0.40	790	■	■	■	■	■	■	■	■	■	■	■	■	■	■	■	■	■	
1,000 <sup>1)3)</sup>	0.80	1,000	△	-	-	■	△	△	■	■	■	△	△	△	■	■	■	■	■	
320 <sup>2)</sup>	0.17	750	■	■	■	■	■	■	■	■	■	■	■	■	■	■	■	■	■	
400 <sup>2)</sup>	0.22	820	■	■	■	■	■	■	■	■	■	■	■	■	■	■	■	■	■	
600 <sup>2)</sup>	0.30	830	■	■	■	■	■	■	■	■	■	■	■	■	■	■	■	■	■	
800 <sup>2)</sup>	0.40	900	■	■	■	■	■	■	■	■	■	■	■	■	■	■	■	■	■	

### Clamshell grabs GMZ 24 Machine stability per ISO 10567\* (75% of tipping capacity)

Width of clamshells mm	Capacity m <sup>3</sup>	Weight kg	Stabilizers raised			Rear blade down			Rear outriggers + front blade down			EW Stabilizers raised			EW Rear blade down			EW Rear outriggers + front blade down		
			Stick length (m)			Stick length (m)			Stick length (m)			Stick length (m)			Stick length (m)			Stick length (m)		
			2.25	2.45	2.65	2.25	2.45	2.65	2.25	2.45	2.65	2.25	2.45	2.65	2.25	2.45	2.65	2.25	2.45	2.65
<b>Two-piece boom 5.05 m</b>																				
320 <sup>1)</sup>	0.16	790	■	■	■	■	■	■	■	■	■	■	■	■	■	■	■	■	■	
400 <sup>1)</sup>	0.22	830	■	■	■	■	■	■	■	■	■	■	■	■	■	■	■	■	■	
500 <sup>1)</sup>	0.28	860	■	■	■	■	■	■	■	■	■	■	■	■	■	■	■	■	■	
600 <sup>1)</sup>	0.35	910	■	■	■	■	■	■	■	■	■	■	■	■	■	■	■	■	■	
800 <sup>1)</sup>	0.45	1,010	■	■	■	■	■	■	■	■	■	■	■	■	■	■	■	■	■	
1,000 <sup>1)</sup>	0.60	1,060	■	△	△	■	■	■	■	■	■	■	■	■	■	■	■	■	■	
320 <sup>2)</sup>	0.17	850	■	■	■	■	■	■	■	■	■	■	■	■	■	■	■	■	■	
400 <sup>2)</sup>	0.22	880	■	■	■	■	■	■	■	■	■	■	■	■	■	■	■	■	■	
600 <sup>2)</sup>	0.35	970	■	■	■	■	■	■	■	■	■	■	■	■	■	■	■	■	■	
800 <sup>2)</sup>	0.45	990	■	■	■	■	■	■	■	■	■	■	■	■	■	■	■	■	■	

\* Indicated loads are based on ISO 10567 and do not exceed 75% of tipping or 87% of hydraulic capacity, max. stick length without quick coupler, lifted 360° on firm with blocked oscillating axle

<sup>1)</sup> without ejector

<sup>2)</sup> with ejector

<sup>3)</sup> Shells for loose material

Max. material weight ■ = ≤ 1.8t/m<sup>3</sup>, ■ = ≤ 1.5t/m<sup>3</sup>, △ = ≤ 1.2t/m<sup>3</sup>, - = not authorised

# Equipments

## Ditch cleaning buckets / tilt buckets

### Ditch cleaning buckets Machine stability per ISO 10567\* (75% of tipping capacity)

Cutting width mm	Capacity ISO 7451 <sup>1)</sup> m <sup>3</sup>	Weight kg	Stabilizers raised			Rear blade down			Rear outriggers + front blade down			EW Stabilizers raised			EW Rear blade down			EW Rear outriggers + front blade down		
			Stick length (m)			Stick length (m)			Stick length (m)			Stick length (m)			Stick length (m)			Stick length (m)		
			2.25	2.45	2.65	2.25	2.45	2.65	2.25	2.45	2.65	2.25	2.45	2.65	2.25	2.45	2.65	2.25	2.45	2.65
<b>Two-piece boom 5.05 m</b>																				
1,500 <sup>3)</sup>	0.50	280	■	■	■	■	■	■	■	■	■	■	■	■	■	■	■	■	■	■
1,600 <sup>2)</sup>	0.55	650	■	■	■	■	■	■	■	■	■	■	■	■	■	■	■	■	■	■
1,600 <sup>4)</sup>	0.60	780	■	■	■	■	■	■	■	■	■	■	■	■	■	■	■	■	■	■
2,000 <sup>2)</sup>	0.50	690	■	■	■	■	■	■	■	■	■	■	■	■	■	■	■	■	■	■
2,000 <sup>3)</sup>	0.48	350	■	■	■	■	■	■	■	■	■	■	■	■	■	■	■	■	■	■
2,000 <sup>2)</sup>	0.70	790	■	■	■	■	■	■	■	■	■	■	■	■	■	■	■	■	■	■
2,000 <sup>4)</sup>	0.70	810	■	■	△	■	■	■	■	■	■	■	■	■	■	■	■	■	■	■

\* Indicated loads are based on ISO 10567 and do not exceed 75% of tipping or 87% of hydraulic capacity, max. stick length without quick coupler, lifted 360° on firm with blocked oscillating axle

<sup>1)</sup> comparable with SAE (heaped)

<sup>2)</sup> with 2 x 50° rotator with cylinder

<sup>3)</sup> rigid ditch cleaning bucket

<sup>4)</sup> with 2 x 50° rotator with rotary motor

Max. material weight ■ = ≤ 1.8t/m<sup>3</sup>, ■ = ≤ 1.5t/m<sup>3</sup>, △ = ≤ 1.2t/m<sup>3</sup>, - = not authorised

### Tilt buckets Machine stability per ISO 10567\* (75% of tipping capacity)

Cutting width mm	Capacity ISO 7451 <sup>1)</sup> m <sup>3</sup>	Weight kg	Stabilizers raised			Rear blade down			Rear outriggers + front blade down			EW Stabilizers raised			EW Rear blade down			EW Rear outriggers + front blade down		
			Stick length (m)			Stick length (m)			Stick length (m)			Stick length (m)			Stick length (m)			Stick length (m)		
			2.25	2.45	2.65	2.25	2.45	2.65	2.25	2.45	2.65	2.25	2.45	2.65	2.25	2.45	2.65	2.25	2.45	2.65
<b>Two-piece boom 5.05 m</b>																				
1,500 <sup>2)</sup>	0.60	650	■	■	■	■	■	■	■	■	■	■	■	■	■	■	■	■	■	■
1,600 <sup>2)</sup>	0.80	740	△	△	△	■	■	■	■	■	■	■	■	■	■	■	■	■	■	■

\* Indicated loads are based on ISO 10567 and do not exceed 75% of tipping or 87% of hydraulic capacity, max. stick length without quick coupler, lifted 360° on firm with blocked oscillating axle

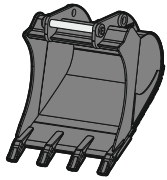
<sup>1)</sup> comparable with SAE (heaped)

<sup>2)</sup> with 2 x 50° rotator

Max. material weight ■ = ≤ 1.8t/m<sup>3</sup>, ■ = ≤ 1.5t/m<sup>3</sup>, △ = ≤ 1.2t/m<sup>3</sup>, - = not authorised

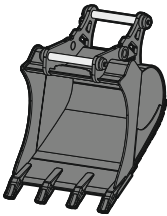


# Attachments



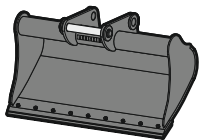
## Backhoe bucket TL 03

Mountings	direct mounting, SWA 33 mechanical, SWA 33 hydraulic, SWA 33 Solidlink, SWA 48 mechanical, SWA 48 hydraulic, SWA 48 Solidlink, Oilquick OQ 60/5, Oilquick OQ 65, Oilquick OQ 70, Oilquick OQ 70/55, Open-S 60 mechanical, Open-S 65 mechanical, Open-S 70 mechanical, Open-S 70/55 mechanical								
Cutting width	mm	300 <sup>3)4)</sup>	400 <sup>3)4)</sup>	500 <sup>4)</sup>	650	750	850	1,050	1,250
Capacity	m <sup>3</sup>	0,17 <sup>5)</sup>	0,24 <sup>5)</sup>	0.32	0.42	0.50	0.60	0.80	0.95
Weight <sup>2)</sup>	kg	270	290	295	375	395	435	510	555



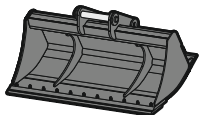
## 2in1 bucket HTL 03

Mountings	SWA 33 mechanical, SWA 33 hydraulic, SWA 33 Solidlink, SWA 48 mechanical, SWA 48 hydraulic, SWA 48 Solidlink							
Cutting width	mm	300 <sup>1)3)</sup>	400 <sup>1)3)</sup>	500 <sup>2)4)</sup>	650 <sup>2)</sup>	850 <sup>2)</sup>	1,050 <sup>2)</sup>	1,250 <sup>2)</sup>
Capacity	m <sup>3</sup>	0.17	0.24	0.32	0.42	0.60	0.80	0.95
Weight	kg	280	290	413	450	510	584	628



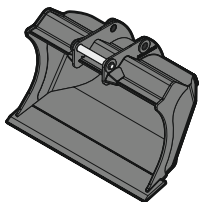
## Universal bucket

Mountings	SWA 33 mechanical, SWA 33 hydraulic, SWA 33 Solidlink, SWA 48 mechanical, SWA 48 hydraulic, SWA 48 Solidlink								
<b>UL 02</b>									
Cutting width	mm	1,400						1,400	
Capacity	m <sup>3</sup>	0.40						0.50	
Weight <sup>1)</sup>	kg	227						240	
<b>UL 03</b>									
Cutting width	mm	1,500						1,500	
Capacity	m <sup>3</sup>	0.60						0.60	
Weight <sup>1)</sup>	kg	368						368	
<b>UL 04</b>									
Cutting width	mm	1,600						1,600	
Capacity	m <sup>3</sup>	0.80						1.00	
Weight <sup>2)</sup>	kg	473						496	



## Ditch cleaning bucket (rigid)

<b>GRL rigid 02</b>									
Mountings	direct mounting, SWA 33 mechanical, SWA 33 hydraulic, SWA 33 Solidlink, SWA 48 mechanical, SWA 48 hydraulic, SWA 48 Solidlink								
Cutting width	mm	1,500	2,000	2,000					
Capacity	m <sup>3</sup>	0.50	0.48	0.65					
Weight <sup>1)</sup>	kg	362	351	385					
<b>GRL rigid 02B</b>									
Mountings	SWA 33 mechanical, SWA 33 hydraulic, SWA 33 Solidlink								
Cutting width	mm	600	800	1,000	1,200	1,400	1,600	1,800	2,000
Capacity	m <sup>3</sup>	0.17	0.25	0.30	0.38	0.45	0.50	0.57	0.65
Weight <sup>1)</sup>	kg	167	196	225	255	293	330	360	390



## Grading bucket 03

Mountings	SWA 33 mechanical, SWA 33 hydraulic, SWA 33 Solidlink, SWA 48 mechanical, SWA 48 hydraulic, SWA 48 Solidlink, Oilquick OQ 65, Oilquick OQ 70, Oilquick OQ 70/55, Open-S 65 mechanical, Open-S 70 mechanical, Open-S 70/55 mechanical								
Cutting width	mm	1,400						1,600	
Capacity	m <sup>3</sup>	0.65						0.75	
Weight <sup>1)</sup>	kg	350						405	

<sup>1)</sup> weights based on an attachment in a standard design with the machine SWA 33 Solidlink mounting

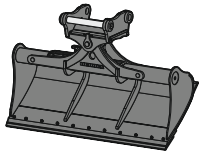
<sup>2)</sup> weights based on an attachment in a standard design with the machine SWA 48 Solidlink mounting

<sup>3)</sup> limited digging depth due to mounting for SWA 33 quick coupler

<sup>4)</sup> limited digging depth due to mounting for SWA 48 quick coupler

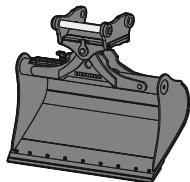
<sup>5)</sup> reduced capacity with direct mounting

# Attachments



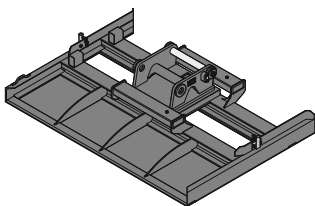
## Ditch cleaning bucket GRL 90

Mountings		direct mounting, SWA 33 mechanical, SWA 33 hydraulic, SWA 33 Solidlink, SWA 48 mechanical, SWA 48 hydraulic, SWA 48 Solidlink										
Cutting width	mm	1,600	1,600	2,000	2,000	2,000	2,200	2,200	2,200	2,400	2,400	2,800
Capacity	m <sup>3</sup>	0.55	0.80	0.50	0.70	1.00	0.80	1.15	1.40	0.85	1.25	1.85
Weight <sup>2)</sup>	kg	690	850	695	875	935	910	985	995	890	1,000	1,090
Tilt angle		2 x 50°	2 x 50°	2 x 50°	2 x 50°	2 x 50°	2 x 50°	2 x 50°	2 x 50°	2 x 50°	2 x 50°	2 x 50°



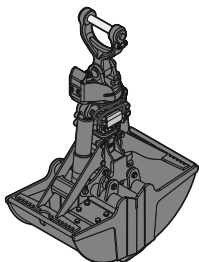
## Tilt bucket SL 90

Mountings		direct mounting, SWA 33 mechanical, SWA 33 hydraulic, SWA 33 Solidlink, SWA 48 mechanical, SWA 48 hydraulic, SWA 48 Solidlink						
Cutting width	mm	1,400	1,500	1,500	1,600	1,600	1,600	1,600
Capacity	m <sup>3</sup>	0.55	0.60	1.20	0.80	1.00	1.35	1.55
Weight <sup>2)</sup>	kg	715	680	970	820	890	970	1,030
Tilt angle		2 x 50°	2 x 50°	2 x 50°	2 x 50°	2 x 50°	2 x 50°	2 x 50°



## Grading beam PB 20

Mountings		SWA 33 mechanical, SWA 33 hydraulic, SWA 33 LIKUFIX, SWA 48 mechanical, SWA 48 hydraulic, SWA 48 Solidlink	
Cutting width	mm	2,500	
Weight <sup>1)</sup>	kg	627	



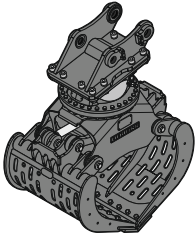
## Clamshell grab

Mountings		direct mounting, SWA 33 mechanical, SWA 33 hydraulic, SWA 33 Solidlink, SWA 48 mechanical, SWA 48 hydraulic, SWA 48 Solidlink, Oilquick OQ 65, Oilquick OQ 70, Oilquick OQ 70/55						
<b>GMZ 18 clamshell buckets</b>								
Shell width	mm	320	400	600	800			
Capacity	m <sup>3</sup>	0.17	0.22	0.30	0.40			
Opening width	mm	1,462	1,462	1,392	1,392			
Weight <sup>3)</sup>	kg	670	705	715	765			
<b>GMZ 22 clamshell buckets</b>								
Shell width	mm	300	400	600	800	1,000		
Capacity	m <sup>3</sup>	0.14	0.20	0.30	0.42	0.54		
Opening width	mm	1,502	1,502	1,502	1,502	1,502		
Weight <sup>3)</sup>	kg	680	710	780	855	935		
<b>GMZ 24 clamshell buckets</b>								
Shell width	mm	320	400	500	600	800	1,000	
Capacity	m <sup>3</sup>	0.16	0.22	0.28	0.34	0.46	0.60	
Opening width	mm	1,515	1,515	1,515	1,515	1,515	1,515	
Weight <sup>3)</sup>	kg	720	755	780	815	890	965	

<sup>1)</sup> weights based on an attachment in a standard design with the machine SWA 33 Solidlink mounting

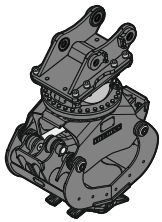
<sup>2)</sup> weights based on an attachment in a standard design with the machine SWA 48 Solidlink mounting

<sup>3)</sup> weights without suspension



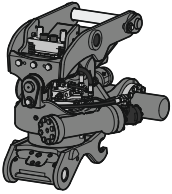
## Sorting grab

		per- forated	ribbed	closed	per- forated	ribbed	closed	per- forated	ribbed	closed	per- forated	closed
Mountings		direct mounting, SWA 33 mechanical, SWA 33 hydraulic, SWA 33 Solidlink, SWA 48 mechanical, SWA 48 hydraulic, SWA 48 Solidlink										
<b>SG 20B</b>												
Shell width	mm	800		800	1,000		1,000	1,200		1,200	1,400	1,400
Capacity	m <sup>3</sup>	0.40		0.40	0.50		0.50	0.60		0.60	0.70	0.70
Max. closing force	kN	40		40	40		40	40		40	40	40
Weight <sup>4)</sup>	kg	750		765	795		810	840		850	885	895
<b>SG 25B</b>												
Shell width	mm	800	800	800	1,000	1,000	1,000	1,200	1,200	1,200	1,400	1,400
Capacity	m <sup>3</sup>	0.55	0.50	0.55	0.75	0.65	0.75	0.90	0.80	0.90	1.10	1.10
Max. closing force	kN	60	60	60	60	60	60	60	60	60	60	60
Weight <sup>4)</sup>	kg	1,040	1,085	1,060	1,105	1,170	1,130	1,170	1,255	1,200	1,235	1,270



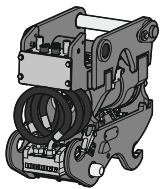
## Sorting grab SG 20B with universal shell

Mountings		direct mounting, SWA 33 mechanical, SWA 33 hydraulic, SWA 33 Solidlink, SWA 48 mechanical, SWA 48 hydraulic, SWA 48 Solidlink										
Shell width	mm	650										
Capacity	m <sup>3</sup>	0.15										
Max. closing force	kN	57										
Weight <sup>4)</sup>	kg	831										



## Tilt rotator

Mounting machine side		SWA 33 mechanical, SWA 33 hydraulic, SWA 33 Solidlink, SWA 48 mechanical, SWA 48 hydraulic, SWA 48 Solidlink										
<b>TR 20B</b>												
Mountings attachment side		SWA 33 mechanical, SWA 33 hydraulic, SWA 48 mechanical, SWA 48 hydraulic										
Weight <sup>1)</sup>	kg	641										
Rotation		360°										
Tilt		2 x 50°										
<b>TR 25</b>												
Mountings attachment side		SWA 33 mechanical, SWA 33 hydraulic, SWA 48 mechanical, SWA 48 hydraulic										
Weight <sup>2)</sup>	kg	787										
Rotation		360°										
Tilt		2 x 50°										



## Tilt unit<sup>5) 6)</sup>

<b>LiTiU 33</b>												
Mounting machine side		SWA 33 Solidlink										
Mountings attachment side		SWA 33 hydraulic, SWA 33 Solidlink										
Weight <sup>3)</sup>	kg	410										
Tilt		2 x 50°										
<b>LiTiU 48</b>												
Mounting machine side		SWA 48 Solidlink										
Mountings attachment side		SWA 48 hydraulic, SWA 48 Solidlink										
Weight <sup>3)</sup>	kg	740										
Tilt		2 x 45°										

<sup>1)</sup> based on standard tiltrotator TR 20B with mounting SWA 33 Solidlink machine side and mounting SWA 33 hydraulic on the underside tiltrotator

<sup>2)</sup> based on standard tiltrotator TR 25 with mounting SWA 48 Solidlink machine side and mounting SWA 48 hydraulic on the underside tiltrotator

<sup>3)</sup> based on standard tilt unit LiTiU 33 / 48 with both side SWA 33 / 48 Solidlink (underside of tilt unit and machine side mounting)

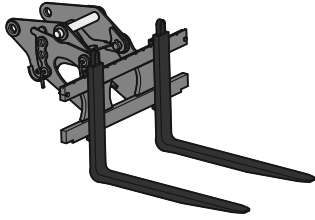
<sup>4)</sup> weights without mounting

<sup>5)</sup> on the machine side, a 14-pin signal contact strip is always required; switching takes place between tilting the LiTiU and the grab rotation circle for the attachment

<sup>6)</sup> on the machine side, the control unit for the second quick coupler is always required



# Attachments



## Pallet fork

### PG SWA 33 FEM II

Mountings		SWA 33 mechanical, SWA 33 hydraulic, SWA 33 Solidlink
Pallet forks length	mm	1,200 1,400
Max. width pallet fork	mm	1,245 1,245
Lift capacity (ISO 2328)	t	2.5 2.5
Weight	kg	330 363

### PG SWA 33 FEM III

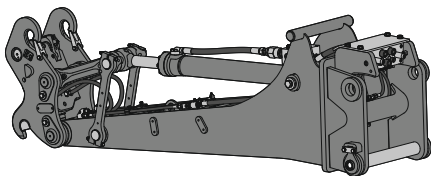
Mountings		SWA 33 mechanical, SWA 33 hydraulic, SWA 33 Solidlink
Pallet forks length	mm	1,200 1,500
Max. width pallet fork	mm	1,500 1,500
Lift capacity (ISO 2328)	t	5.0 5.0
Weight	kg	579 620

### PG SWA 48 FEM II

Mountings		SWA 48 mechanical, SWA 48 hydraulic, SWA 48 Solidlink
Pallet forks length	mm	1,200 1,400
Max. width pallet fork	mm	1,245 1,245
Lift capacity (ISO 2328)	t	2.5 2.5
Weight	kg	345 378

### PG SWA 48 FEM III

Mountings		SWA 48 mechanical, SWA 48 hydraulic, SWA 48 Solidlink
Pallet forks length	mm	1,200 1,500
Max. width pallet fork	mm	1,500 1,500
Lift capacity (ISO 2328)	t	5.0 5.0
Weight	kg	585 626



## Stick extension LS 12

Mounting machine side		SWA 33 Solidlink, SWA Solidlink 33-9, SWA 48 Solidlink
Mountings attachment side		SWA 33 mechanical, SWA 33 mechanical Solidlink <sup>2)</sup> , SWA 33 hydraulic <sup>4)</sup> , SWA 33 Solidlink <sup>3)</sup> <sup>4)</sup> <sup>5)</sup>
Length	m	2.25 2.70
Weight <sup>1)</sup>	kg	approx. 580-630 approx. 530-770

<sup>1)</sup> weights based on an attachment in a standard design with the machine SWA 33 Solidlink mounting

<sup>2)</sup> attachment with high pressure circuit only possible with the manual switchover tipping cylinder or an extended hydraulic circuit on the carrier machine

<sup>3)</sup> attachment with high pressure circuit only possible with the electric / manual switchover tipping cylinder or an extended hydraulic circuit on the carrier machine

<sup>4)</sup> 14-pin signal contact strip is required, for example to control and monitor the hydraulic quick coupling system on the stick extension on the attachment side or to transfer electrical signals for the switchover

<sup>5)</sup> either a socket on the stick above the signal contact strip of the carrier machine or machine side Solidlink 33-9 is required for switching between different hydraulic circuits

# Equipment

## Undercarriage

General	
Trailer coupling with bolt (diameter of towing eye 40 mm), automatic (outrigger support)	+
Trailer coupling with bolt (diameter of towing eye 40 mm), automatic (blade support)	+
Hydraulic connection for tipping the trailer (single-acting tipping cylinder)	+
Mudguards (rear and front)	+
Lubrication undercarriage (decentral), manual (grease points)	+
Storage compartment left, incl. base plate	+
Storage compartment with drawer left	+
Storage compartment with drawer right	+
Storage compartment right, incl. base plate	+
Power socket for lighting extension coupling, 24V ISO 1724 (rear)	+
Central lubrication of undercarriage, manual (one grease point)	+
Stabilization & driving	
Rear stabilizer blade 2,550 mm	+
Rear stabilizer blade 2,750 mm	+
Piston rod guard for rear outriggers	+
Piston rod guard for rear blade	+
Piston rod guard for front blade	+
Automatic swing axle lock	●
Rear outriggers, front stabilizer blade 2,550 mm	+
Rear outriggers, front stabilizer blade 2,750 mm	+
Single tyres, Alliance HD I-331 600/40-22.5	+
Single tyres, Michelin XF-445/70R19.5	+
Speeder 30 km/h	+
Speeder 37 km/h	+
Undercarriage EW 2,750 mm wide	+
Twin tyres, Liebherr EM 22, 290/90-20 PR 18	+
Twin tyres, Mitas EM-22, 10.00-20 PR 16	+

## Upper-carriage

General	
Extended tool kit including toolbox	+
Automatic amber beacon, at uppercarriage, LED double flash (safety lever)*	+
Storage box in the uppercarriage	●
Automatic central lubrication system, uppercarriage and equipment	●
Hydraulic & engine	
Tank refilling pump fuel	+
Hydraulic oil, Liebherr Hydraulic HVI (-20 to +40 °C)	+
Hydraulic oil, Liebherr Hydraulic Plus Arctic, high performance oil (-40 to +30 °C)	+
Hydraulic oil, Liebherr Hydraulic Plus, high performance oil (-30 to +45 °C)	+
Reversible fan drive	+
Air pre-filter with cyclonical dust trap	+
Automatic engine shutdown after idling (with timer)	+
Automatic engine shutdown after idling (without timer)	+
Bypass filter hydraulic oil	+
Power Pack EU Stage V*	+
Lubricants and operating fluids Standard (-20 to +40 °C)	●
Preheating fuel*	+

## Equipment

Boom	
PowerLift	●
Pipe fracture safety valve stick cylinder	●
Two-piece boom	+
Stick & attachment mounting	
GPS for attachment (via 14-pin signal contacts)	+
GPS for attachment (via 5-pin signal contacts)	+
Coupling system Solidlink 33-9 for quick coupler SWA 33	+
Coupling system Solidlink for quick coupler SWA 33	+
Coupling system Solidlink for quick coupler SWA 48	+
Load holding valve for tipping cylinder	+
Load holding valve for tipping cylinder (both sides)	+
Lifting eye on stick 8.0t (500 mm from stick end pin)	+
Lifting eye on stick 8.0t (1,000 mm from stick end pin)	+
Cables for additional control circuit for SWA	+
Light package stick	+
Stick 2.25 m	+
Stick 2.45 m	+
Stick 2.65 m	+
Quick coupler SWA 33 hydraulic	+
Quick coupler SWA 48 hydraulic	+
Hydraulic hose guard Solidlink 33	+
Hydraulic hose guard Solidlink 48	+
Swivel unit LiTiU 18 direct installation	+
Swivel unit LiTiU 18 direct installation with Solidlink	+
Signal contacts for Solidlink 5-pin	+
Signal contacts for Solidlink 5-pin and 14-pin	+
Signal contacts for Solidlink 14-pin	+
Power socket on stick (24 V) via signal contacts	+
Power socket on stick, 24 V / 10 A (ISO 1724)	+
Stick camera	+
Stick bottom protection	+
Centralised lubrication extended for quick coupler	+
Centralised lubrication extended for connecting link	+

# Equipment



## Cab

Interior	
3-points seat belt, 2"	+
Storage tablet	●
Mood lighting LED	●
Armrests adjustable in length, height and inclination	●
Double pedal, left	+
Operator's seat Comfort	●
Operator's seat Premium	+
Operator's seat cover	+
Travel alarm system switchable	+
Fire extinguisher*	+
Air-conditioned bottle holder	●
Footrest	+
Seat belt reminder	●
Mobile phone holder with inductive charging	+
Automatic air conditioning	●
Wheel steering	●
Multifunction mounting bracket	+
Positioning swing brake manual	+
Radio Comfort	●
Acoustic back-up warning system not switchable	+
Additional roll-down sun blind for windscreen	+
Roll-down sun blinds for windscreen and roof window	●
Roll-down sun blinds for rear and side window, right	+
Auxiliary heater programmable	+
Air-conditioned storage compartment	●
Electric sockets in cab (USB)	●
First-aid box	+
Warning triangle	+
Exterior	
Electrically adjustable and heated outside rear-view mirrors	+
Rearview mirror	+
Cab air filters, accessible from ground level	●
Licence plate holder with light	+
Lightbar on cab, LED	+
Warning beacon foldable on cab, LED, 1 piece	+
Roof window wiper	+
FOPS top guard flat	+
FOPS top guard	+
FGPS front guard with side opening	+
Retractable laminated two-piece windscreen	+
Impact resistant one-piece windscreen	+



## General

Liebherr Connect	
MyLiebherr Maintenance	+
MyLiebherr Performance	+
MyLiebherr Portal <sup>1)</sup>	●



## Control

Safety & operation	
Digging brake, automatic	●
Attachment continuous operation system	+
Electronic anti-theft protection with key	+
Ride control	+
Boom cylinder cushioning	●
Modetronic	●
Positioning swing brake automatic	+
Power Plus for Tools	+
Smartphone interface	●
Lift chart for forks	+
Lift chart for stick extension	+
Overload warning system	●
Hydraulic & control	
10" colour touchscreen	●
Control pattern digital	●
Display with haptic feedback	●
Grapple lines for stick with tipping kinematic	+
High pressure circuit with Tool Control	+
Joystick proximity sensor	●
Joysticks Premium	●
Leak oil lines for attachment	+
Wheel and joystick steering	+
Mowing-bucket operation	+
Machine settings personalised on display	●
Medium pressure circuit	●
Mode selector	●
Filter for hydraulic hammer return flow	+
Touchpad 3.5"	●
Assistance systems	
Workspace warning advanced	●
Integral tyre pressure monitoring system	+
Load torque limitation	+
Machine control 2D	+
Machine control 3D ready Leica	+
Machine guidance system 3D iCON IXE3 passive Leica designed for Liebherr	+
MiC 4.0 BUS communication standard	●
Skyview 360°	+
Smart Key Comfort	+
Smart Key Standard	+
Weighing system Liebherr	+



## Packages

Light package Comfort	+
Light package Premium	+
Light package Standard	+
Light package Surround	+

● = Standard, + = Option

\* country-dependent, <sup>1)</sup> free activation required

Options and /or special equipment, supplied by vendors other than Liebherr, are only to be installed with the knowledge and approval of Liebherr in order to retain warranty.

## Liebherr-Hydraulikbagger GmbH

Liebherrstraße 12 · 88457 Kirchdorf (Iller), Germany · Phone +49 7354 80-0

info.lhb@liebherr.com · www.liebherr.com · www.facebook.com/LiebherrConstruction