
Freestanding Side-by-side Appliances

Design Guide

LIEBHERR

Refrigeration and Freezing







Table of Contents

Planning information	6
Single unit	10
Side-by-side combination	14
Triple combination	24
Accessories	25





The Freestanding Appliances

The new puristic design language of a Liebherr stands out due to its extraordinary contours, high-quality surfaces and simple silhouette.

InteriorFit. Make elegant use of kitchen niches. InteriorFit allows you to make optimum use of the space in your kitchen with our freestanding appliances as you do not need a space at the side for ventilation next to the walls or furniture. Only the fridge door is visible in into your kitchen. Everything else is invisible.

General Planning Information

Location

IMPORTANT

Do not install appliances

- ▲ outdoors
- ▲ in damp rooms

Positioning

- Do not install appliance in direct sunlight
- Only set up and use the appliance in enclosed spaces. A dry and well-ventilated room is an optimum installation location.
- If the appliance is installed in a very humid environment, condensation can build up on the outside of the unit. Always ensure good airflow and ventilation in the installation location.
- Install the appliance with the rear panel up against the wall and always use the supplied wall spacers.

The appliance should be installed in a dry, ventilated room. **Do not operate the appliance outside the specified room temperature range.**

The appliance should not be exposed to constant direct sunlight or excessive heat.

There should be no covering or blocking of external ventilation openings as this could impair the efficiency of the appliance, increase electricity consumption and could cause damage to the components.

NOTE:

When wine cabinet or fridge is installed next to a heat source, it may cause external condensation on the external doors, door frame and result in damages of the cabinetry.

Integrating the appliance into a kitchen unit

The appliance can be installed as slot-in. Please observe the following installation conditions:-

- If you fit a stacking cabinet above the appliance, you must allow for a ventilation cross-section with the appropriate depth at the rear of the stacking cabinet.
- If you place the appliance with the hinges next to a wall, you must take the distance to the side of the appliance into account.
- To ensure that the door can be opened fully, the appliance must protrude beyond the front thickness. Depending on the niche depth, the appliance may protrude further.

Note:

Please contact Customer Services to acquire a kit to limit the door opening angle to 90° for appliances with soft close mechanisms.

When installing multiple appliances

Risk of damage due to condensate!

Do not install the appliance directly alongside a further refrigerator/freezer.

Do not install the appliance directly above another refrigerator or freezer. These appliances are designed for a variety of installation options. Only combine appliances that are designed to be installed in combination.

Do not install your Liebherr model next to any other refrigerator, freezer or wine column except another Liebherr model. Liebherr models are designed to allow for Side-by-Side installation. They are equipped with a heating system to eliminate condensation when units are installed Side-by-Side. Installing this unit next to any other refrigerator, freezer or wine column can cause condensation or cause damage to the Liebherr unit.

Flooring / Substructure

Verify the following:

- Floors can support appliance's weight plus approximately 544 kg of food weight.
- Finished kitchen floor height is level. Refrigerator must be shimmed to the floor level or leveled to make sure air vents are not obstructed.
- Remove anything attached to the rear or side walls that can obstruct appliance opening.
- Cut out dimensions are accurate.
- Electrical outlet is in correct location.

Supporting Floor

- The floor of the installation site must be horizontal and even.

IMPORTANT

To protect the refrigerator from possible damage, allow the appliance to stand 1 hour in place before turning the electricity on. This allows the refrigerant and lubrication system to reach equilibrium.

Ventilation Requirements

NOTICE

Danger of overheating due to insufficient air ventilation! The compressor may be damaged if there is insufficient air ventilation.

- Take care to ensure adequate air ventilation.
- Observe the ventilation requirements

As a general rule: The larger the ventilation cross section, the more energy the appliance will be able to save.

Electrical Requirement & Safety

The socket must be easily accessible so that the appliance can be disconnected quickly from the electricity in an emergency.

It must not be located in the area behind the appliance.

WARNING!

Keep ventilation openings, in the appliance enclosure or in the built-in structure must be clear of obstruction.

Danger of tipping and falling:

Do not misuse the plinth, drawers, doors etc. as a step or for support. This applies particularly to children.

Electrocution hazard.

Electrical grounding required.

- ▲ Do not remove the round grounding prong from the plug.
- ▲ Do not use extension cords or ungrounded (two-prong) adapters.
- ▲ Do not use a power cord that is frayed or damaged.
- ▲ Do not use a power strip.

Failure to follow these instructions may result in fire, electrical shock or death.

Only operate the appliance with alternating current (AC).

The maximum voltage and frequency depend on the appliance design for the country concerned. The type of current and voltage at the installation site complies with the information on the type plate. Sockets must be properly earthed and protected by a fuse.

Sockets must not be situated behind the appliance and must be easily accessible to disconnect the appliance from the mains if necessary.

A separate circuit for the appliance is recommended to prevent food defrosting or spoiling due to a power failure caused by other appliances.

It is recommended to plan it in the cabinet above the appliance. Please refer to individual product's installation diagram for details.

In event if power cord is too short, an optional 3-meter power cord is available for purchase from your local Liebherr aftersales service for selected models. The receptacle should be installed by a licensed electrician only. For the installation position of the receptacle refer to individual product's installation diagrams.

WARNING!

The refrigerant R600a contained within the appliances is environmentally friendly, but flammable. Leaking refrigerant can ignite. To prevent possible ignition, designed ventilation is required.

Water Requirements

If your appliance has a fixed water connection, a hose is supplied with it. You can purchase a hose of a different length as an accessory.

A water supply line with a water shut-off valve and an R 3/4" connector is required for the IceMaker.



If you have a water purification system, please prepare a 2- to 6-point external thread water pipe adapter in advance.

The water shut-off valve must not be situated behind the appliance and must be easily accessible to disconnect the appliance from the water supply if necessary.

The rear of appliance is accessible so that you can connect the appliance to the drinking water supply.

The appliance must be levelled to ensure that all the chambers in the ice-cube tray of the IceMaker are completely filled with water.

Do not damage or kink the hose during installation.

Water Pressure

The water pressure must be between **0.15 and 0.62 MPa (1.5 - 6.2 bar)**.

If the water filter is inserted in the appliance, the water pressure must lie between **0.28 and 0.62 MPa (2.8 - 6.2 bar)**.

If the water pressure with the inserted water filter is too low, this may cause the ice maker to malfunction.

Only use the supply hose provided with the appliance to connect the IceMaker to the water supply.

The water supply to the appliance must be through a cold water pipe that can withstand the operating pressure and complies with the hygiene regulations.

Safety instructions and warnings

- Do not connect to the water supply while the combined refrigerator-freezer is connected to the electricity supply.
- **The connection to the mains water supply may only be made by trained personnel.**
- **The water quality must comply with the drinking water directives of the country in which the appliance is used.**
- The IceMaker is designed exclusively to make ice cubes in quantities required by a household and may only be operated with drinking water.
- All repairs and work on the ice maker may only be carried out by customer service personnel or other trained personnel.
- **The manufacturer cannot accept liability for damage caused by a faulty connection to the mains water supply. The water shut-off valve must not sit directly above the socket! The gap between the water shut-off valve and the socket must comply with the regulations of the country in which the appliance is used!**

Single Unit

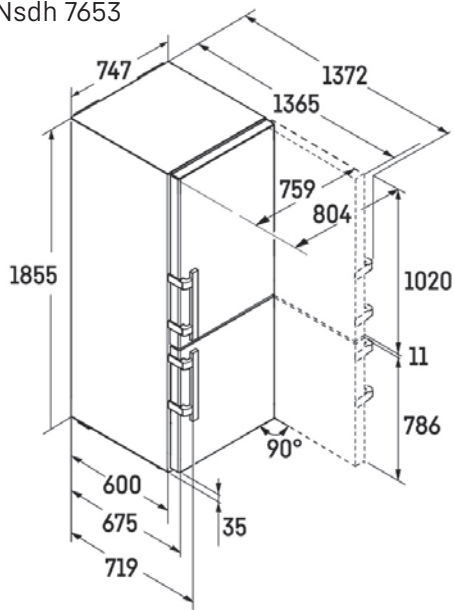




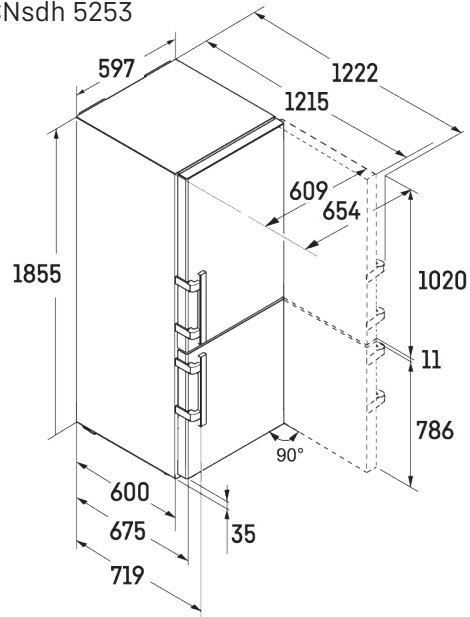
Refrigerator - Freezer

Applicable models: CBNsdh 7653, SCNsdh 5253

CBNsdh 7653



SCNsdh 5253



Niche Dimension for appliances with lever handle

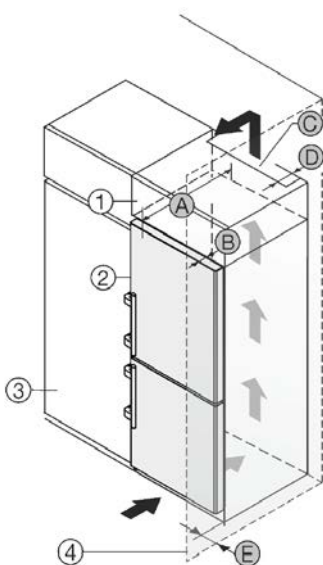


Fig. 1
 (1) Top unit
 (2) Appliance
 (3) Kitchen cupboard
 (4) Wall
 (A) Appliance depth
 (B) Door depth
 (C) Ventilation cross-section
 (D) Distance from rear of appliance
 (E) Distance to side of appliance

Dimensions with lever handle:	
A	675 mm ^x
B	75 mm
C	min. 300 cm ²
D	min. 50 mm
E	min. 57 mm

^xThe use of wall spacers increases the dimensions by 15 mm.

You can place the appliance directly beside the kitchen cabinet Fig. 1 (3).

There must be a ventilation shaft at the depth Fig. 1 (D) of the back of the top cupboard over the entire width of the top cupboard.

The ventilation cross-section Fig. 1 (C) must be maintained under the ceiling.

If the appliance is set up with the hinges next to a wall Fig. 1 (4), the distance between the appliance and the wall must be at least 57 mm. This is how far the handle protrudes when the door is open.

In order to be able to fully open the door, the appliance must protrude by the depth of the door Fig. 1 (B) from the front of the kitchen cabinet. The appliance may protrude further depending on the depth of the kitchen cabinets Fig. 1 (3) and whether wall spacers are used.

Ventilation Requirements

⚠ NOTICE

Danger of overheating due to insufficient air ventilation! The compressor may be damaged if there is insufficient air ventilation.

Note

Please contact Customer Services to acquire a kit to limit the door opening angle to 90° for appliances with soft close mechanisms.

Connection Dimension for Power Supply

The connection to the power supply is on the rear of the appliance. To connect your appliance safely, ensure that the following requirements are met:

- Dimensions for the connection to the power supply are known and are adhered to. See table below.
- Connection to the power supply according to the instructions.

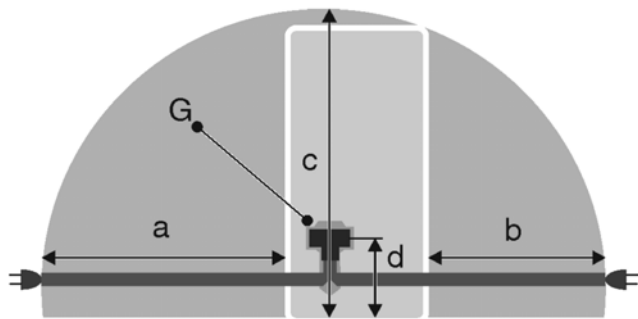


Fig. 2
 (a) Maximum available length of the mains connection cable
 (b) Maximum available length of the mains connection cable
 (c) Maximum available vertical length of the mains connection cable
 (d) Gap between appliance plug and floor
 (G) Appliance plug

For 600 mm wide appliances:	
a	~ 1800 mm
b	~ 1400 mm
c	~ 2100 mm
d	~ 200 mm

For 750 mm wide appliances:	
a	~ 1725 mm
b	~ 1325 mm
c	~ 2100 mm
d	~ 200 mm

CAUTION

Danger of injury and damage due to the appliance being unstable! The appliance can topple over. Secure the appliance as described in the instructions

WARNING

Risk of fire due to short circuit!

- ▶ When you set the appliance up: do not kink, jam or damage the mains cable.
- ▶ The appliance must not be operated with a defective mains cable.

Fire hazard and danger of damage!

- ▶ Do not place appliances emitting heat e.g. micro waves, toasters etc. on the appliance!

Note

Remove the mains cable from the package.

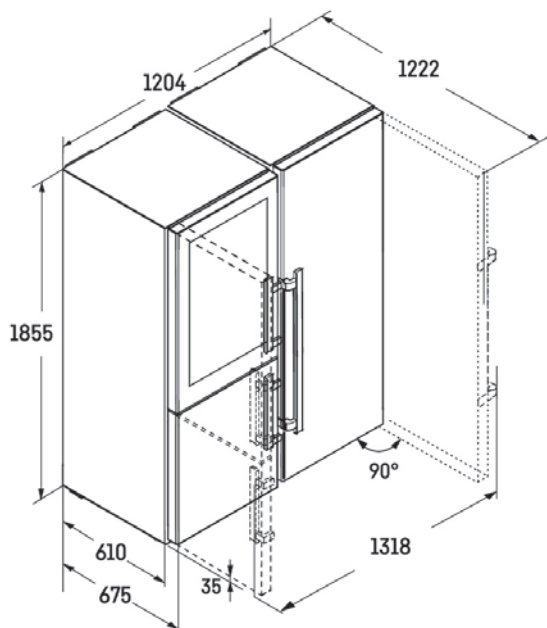
- ▶ Plug the mains cable's IEC socket completely into the appliance plug on the back of the appliance. Ensure that the IEC socket is tight.
- ▶ Use a cord to lay the mains plug to a freely accessible socket if required.

SBS Units

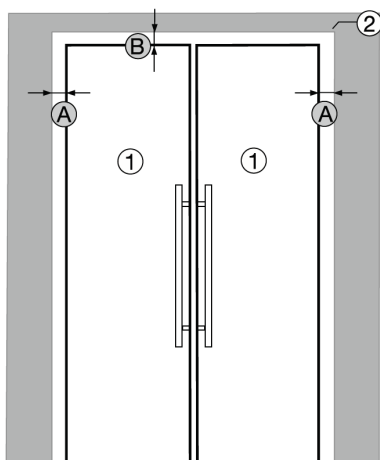




Product Dimension



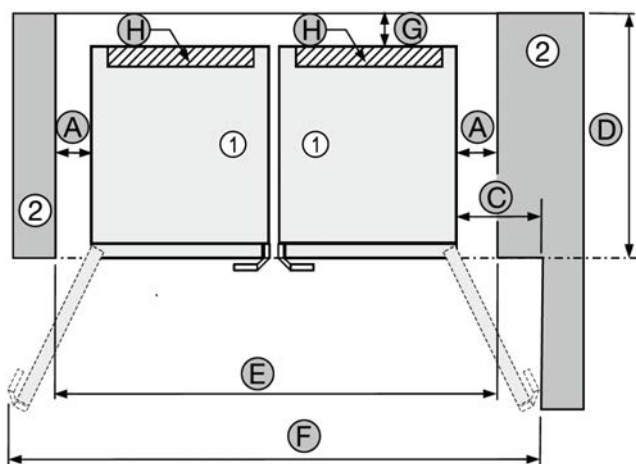
Niche Dimension for appliances with lever handle



View of flush installation, completely surrounded by kitchen units/wall

- (1) SBS appliances
- (2) Kitchen cupboard / wall

- (A) Distance to the side of kitchen cabinet / wall
- min. 35mm
- (B) Distance upwards to kitchen cabinet / wall
- min. 10 mm
- (C) Distance to kitchen cabinet / wall with door opening angle 115°
- min. 270 mm
- (D) Recess depth with wall spacer
- min. 690 mm with wall spacer
- (E) Niche width
- min. 1280 mm
- (F) Overall width with door opening angle 115°
- min. 1745 mm
- (G) Wall clearance to the rear with wall spacer
- 15 mm
- (H) Ventilation cut-out per appliance
- min. 300 cm²



Top view of flush installation with kitchen cabinet / wall on the right and door opening angle 115°

Ventilation Requirements

⚠ NOTICE

Danger of overheating due to insufficient air ventilation! The compressor may be damaged if there is insufficient air ventilation.

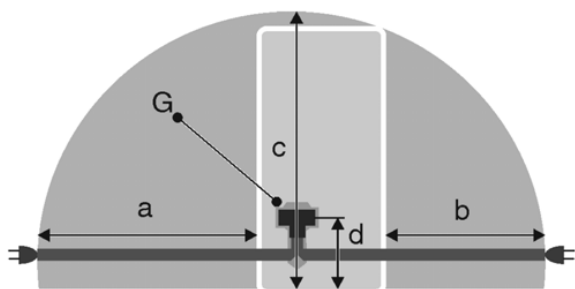
Note

Please contact Customer Services to acquire a kit to limit the door opening angle to 90° for appliances with soft close mechanisms.

Connection Dimension for Power Supply

The connection to the power supply is on the rear of the appliance. To connect your appliance safely, ensure that the following requirements are met:

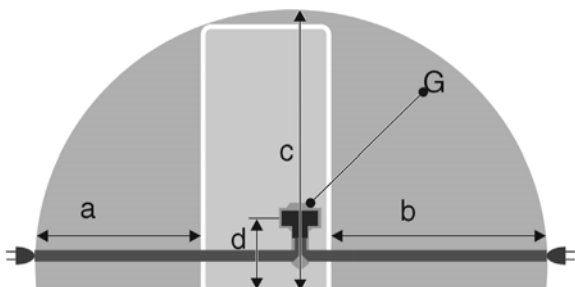
- Dimensions for the connection to the power supply are known and are adhered to. See table below.
- Connection to the power supply according to the instructions.



Fridge / Freezer combinations / Freezers / Full-capacity BioFresh appliances*

- (a) Maximum available length of the mains connection cable
- (b) Maximum available length of the mains connection cable
- (c) Maximum available vertical length of the mains connection cable
- (d) Gap between appliance plug and floor
- (G) Appliance plug

For 600 mm wide appliances: *	
a	~ 1800 mm *
b	~ 1400 mm *
c	~ 2100 mm *
d	~ 200 mm *



Refrigerators

- (a) Maximum available length of the mains connection cable
- (b) Maximum available length of the mains connection cable
- (c) Maximum available vertical length of the mains connection cable
- (d) Gap between appliance plug and floor
- (G) Appliance plug

For 600 mm wide appliances:	
a	~ 1350 mm
b	~ 1800 mm
c	~ 2050 mm
d	~ 150 mm

CAUTION

Danger of injury and damage due to the appliance being unstable! The appliance can topple over. Secure the appliance as described in the instructions

WARNING

Risk of fire due to short circuit!

- ▶ When you set the appliance up: do not kink, jam or damage the mains cable.
- ▶ The appliance must not be operated with a defective mains cable.

Fire hazard and danger of damage!

- ▶ Do not place appliances emitting heat e.g. micro waves, toasters etc. on the appliance!

Note

Remove the mains cable from the package.

- ▶ Plug the mains cable's IEC socket completely into the appliance plug on the back of the appliance. Ensure that the IEC socket is tight.
- ▶ Use a cord to lay the mains plug to a freely accessible socket if required.

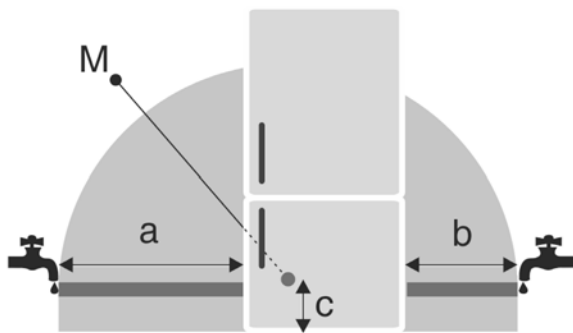
Water Connection

If your appliance has a fixed water connection, a hose is supplied with it. You can purchase a hose of a different length as an accessory.

It's recommended to install a water stop valve on the water pipe for easy maintenance.

If you have a water purification system, please prepare a 2- to 6-point external thread water pipe adapter in advance.

Connection Dimension for Water Supply



- (a) Maximum available hose length - ~1650 mm
- (b) Maximum available hose length - ~ 1500 mm
- (c) Distance of solenoid valve to floor - ~ 150 mm
- (M) Solenoid valve

Water Pressure

The water connection line and solenoid valve of the appliance are suitable for a water pressure of up to 1 MPa (10 bar).

To ensure that the appliance functions correctly (flow rate, ice cube size, noise level), maintain the following water pressure:

Water pressure:	
bar	MPa
1.5 to 6.2	0.15 to 0.62

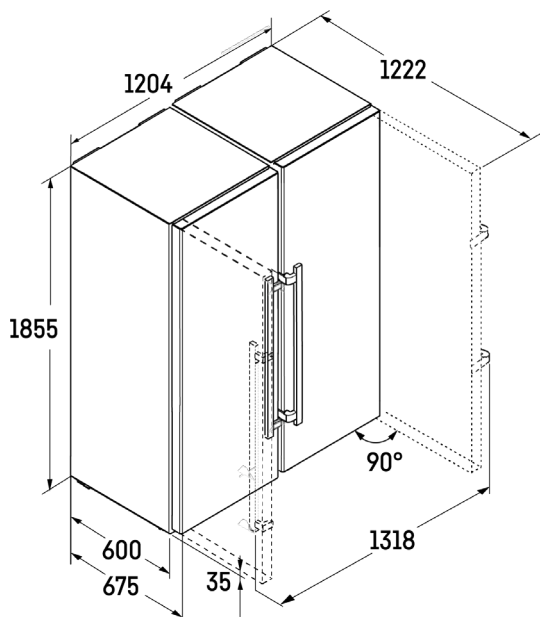
Water pressure when using the water filter:	
bar	MPa
2.8 to 6.2	0.28 to 0.62

If the pressure is higher than 6.2 bar:

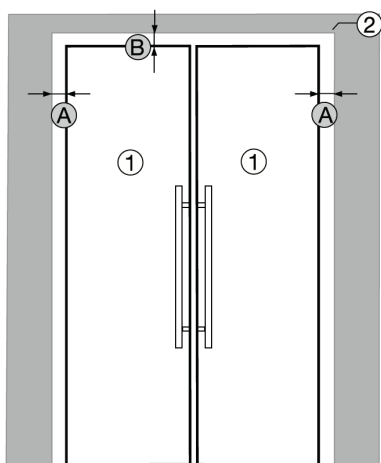
- ▶ Fit a pressure reducer.
- ▶ Make the water connection



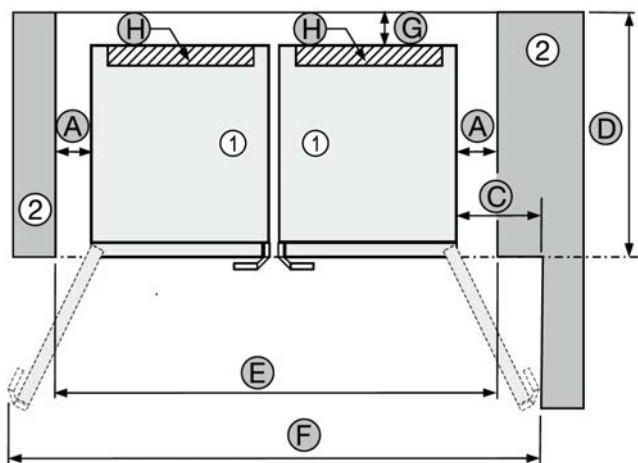
Product Dimension



Niche Dimension for appliances with lever handle



View of flush installation, completely surrounded by kitchen units/wall



Top view of flush installation with kitchen cabinet / wall on the right and door opening angle 115°

- (1) SBS appliances
- (2) Kitchen cupboard / wall

- (A) Distance to the side of kitchen cabinet / wall
- min. 35mm
- (B) Distance upwards to kitchen cabinet / wall
- min. 10 mm
- (C) Distance to kitchen cabinet / wall with door opening angle 115°
- min. 270 mm
- (D) Recess depth with wall spacer
- min. 690 mm with wall spacer
- (E) Niche width
- min. 1280 mm
- (F) Overall width with door opening angle 115°
- min. 1745 mm
- (G) Wall clearance to the rear with wall spacer
- 15 mm
- (H) Ventilation cut-out per appliance
- min. 300 cm²

Ventilation Requirements

⚠ NOTICE

Danger of overheating due to insufficient air ventilation! The compressor may be damaged if there is insufficient air ventilation.

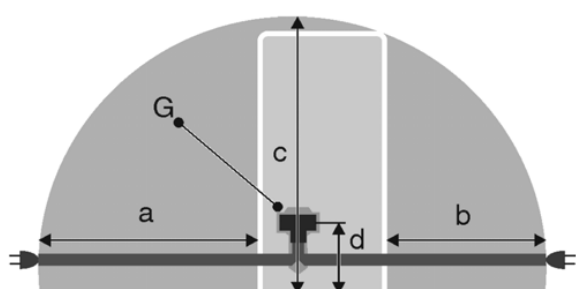
Note

Please contact Customer Services to acquire a kit to limit the door opening angle to 90° for appliances with soft close mechanisms.

Connection Dimension for Power Supply

The connection to the power supply is on the rear of the appliance. To connect your appliance safely, ensure that the following requirements are met:

- Dimensions for the connection to the power supply are known and are adhered to. See table below.
- Connection to the power supply according to the instructions.



Fridge / Freezer combinations / Freezers / Full-capacity BioFresh appliances*

- (a) Maximum available length of the mains connection cable
- (b) Maximum available length of the mains connection cable
- (c) Maximum available vertical length of the mains connection cable
- (d) Gap between appliance plug and floor
- (G) Appliance plug

For 600 mm wide appliances: *	
a	~ 1800 mm *
b	~ 1400 mm *
c	~ 2100 mm *
d	~ 200 mm *

CAUTION

Danger of injury and damage due to the appliance being unstable! The appliance can topple over. Secure the appliance as described in the instructions

WARNING

Risk of fire due to short circuit!

- ▶ When you set the appliance up: do not kink, jam or damage the mains cable.
- ▶ The appliance must not be operated with a defective mains cable.

Fire hazard and danger of damage!

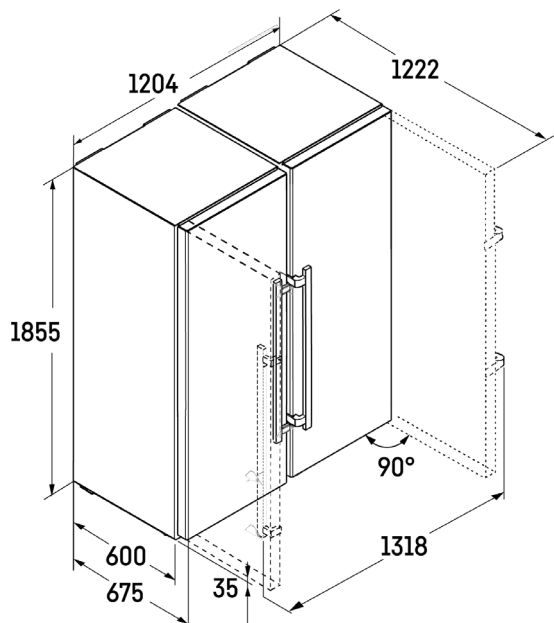
- ▶ Do not place appliances emitting heat e.g. micro waves, toasters etc. on the appliance!

Note

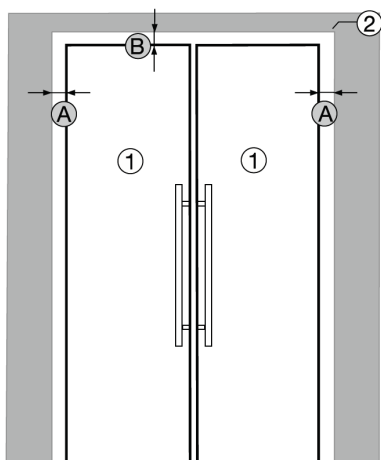
Remove the mains cable from the package.

- ▶ Plug the mains cable's IEC socket completely into the appliance plug on the back of the appliance. Ensure that the IEC socket is tight.
- ▶ Use a cord to lay the mains plug to a freely accessible socket if required.

Product Dimension



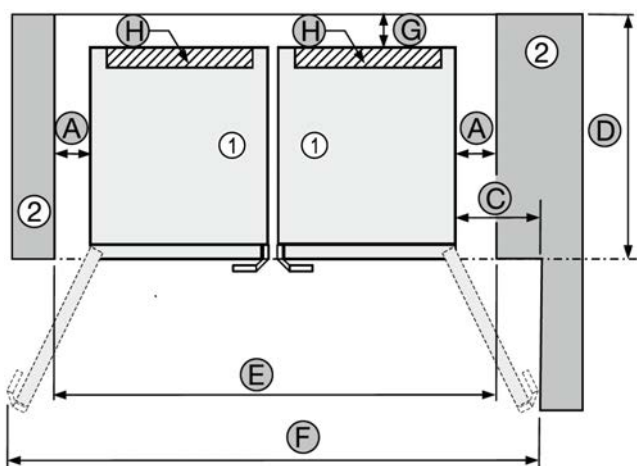
Niche Dimension for appliances with lever handle



View of flush installation, completely surrounded by kitchen units/wall

- (1) SBS appliances
- (2) Kitchen cupboard / wall

- (A) Distance to the side of kitchen cabinet / wall
 - min. 35mm
- (B) Distance upwards to kitchen cabinet / wall
 - min. 10 mm
- (C) Distance to kitchen cabinet / wall with door opening angle 115°
 - min. 270 mm
- (D) Recess depth with wall spacer
 - min. 690 mm with wall spacer
- (E) Niche width
 - min. 1280 mm
- (F) Overall width with door opening angle 115°
 - min. 1745 mm
- (G) Wall clearance to the rear with wall spacer
 - 15 mm
- (H) Ventilation cut-out per appliance
 - min. 300 cm²



Top view of flush installation with kitchen cabinet / wall on the right and door opening angle 115°

Ventilation Requirements

⚠ NOTICE

Danger of overheating due to insufficient air ventilation! The compressor may be damaged if there is insufficient air ventilation.

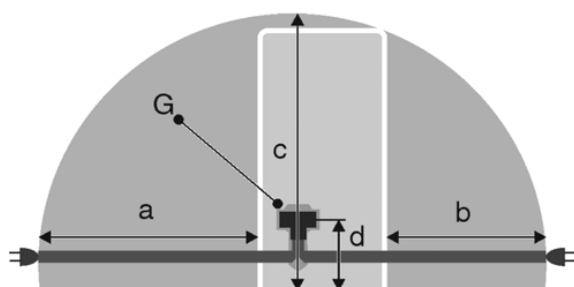
Note

Please contact Customer Services to acquire a kit to limit the door opening angle to 90° for appliances with soft close mechanisms.

Connection Dimension for Power Supply

The connection to the power supply is on the rear of the appliance. To connect your appliance safely, ensure that the following requirements are met:

- Dimensions for the connection to the power supply are known and are adhered to. See table below.
- Connection to the power supply according to the instructions.



Fridge / Freezer combinations / Freezers / Full-capacity BioFresh appliances*

- (a) Maximum available length of the mains connection cable
- (b) Maximum available length of the mains connection cable
- (c) Maximum available vertical length of the mains connection cable
- (d) Gap between appliance plug and floor
- (G) Appliance plug

For 600 mm wide appliances: *	
a	~ 1800 mm *
b	~ 1400 mm *
c	~ 2100 mm *
d	~ 200 mm *

⚠ CAUTION

Danger of injury and damage due to the appliance being unstable! The appliance can topple over. Secure the appliance as described in the instructions

⚠ WARNING

Risk of fire due to short circuit!

- ▶ When you set the appliance up: do not kink, jam or damage the mains cable.
- ▶ The appliance must not be operated with a defective mains cable.

Fire hazard and danger of damage!

- ▶ Do not place appliances emitting heat e.g. micro waves, toasters etc. on the appliance!

Note

Remove the mains cable from the package.

- ▶ Plug the mains cable's IEC socket completely into the appliance plug on the back of the appliance. Ensure that the IEC socket is tight.
- ▶ Use a cord to lay the mains plug to a freely accessible socket if required.

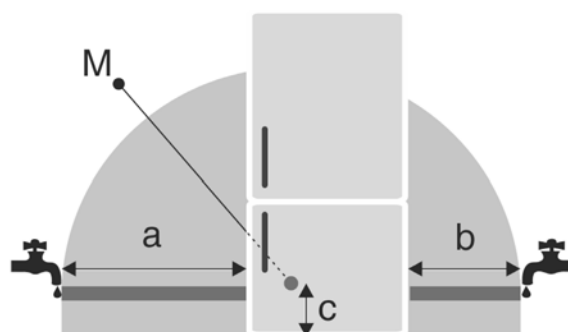
Water Connection

If your appliance has a fixed water connection, a hose is supplied with it. You can purchase a hose of a different length as an accessory.

It's recommended to install a water stop valve on the water pipe for easy maintenance.

If you have a water purification system, please prepare a 2- to 6-point external thread water pipe adapter in advance.

Connection Dimension for Water Supply



- (a) Maximum available hose length - ~1800 mm
- (b) Maximum available hose length - ~ 1450 mm
- (c) Distance of solenoid valve to floor - ~ 150 mm
- (M) Solenoid valve

Water Pressure

The water connection line and solenoid valve of the appliance are suitable for a water pressure of up to 1 MPa (10 bar).

To ensure that the appliance functions correctly (flow rate, ice cube size, noise level), maintain the following water pressure:

Water pressure:	
bar	MPa
1.5 to 6.2	0.15 to 0.62

Water pressure when using the water filter:	
bar	MPa
2.8 to 6.2	0.28 to 0.62

If the pressure is higher than 6.2 bar:

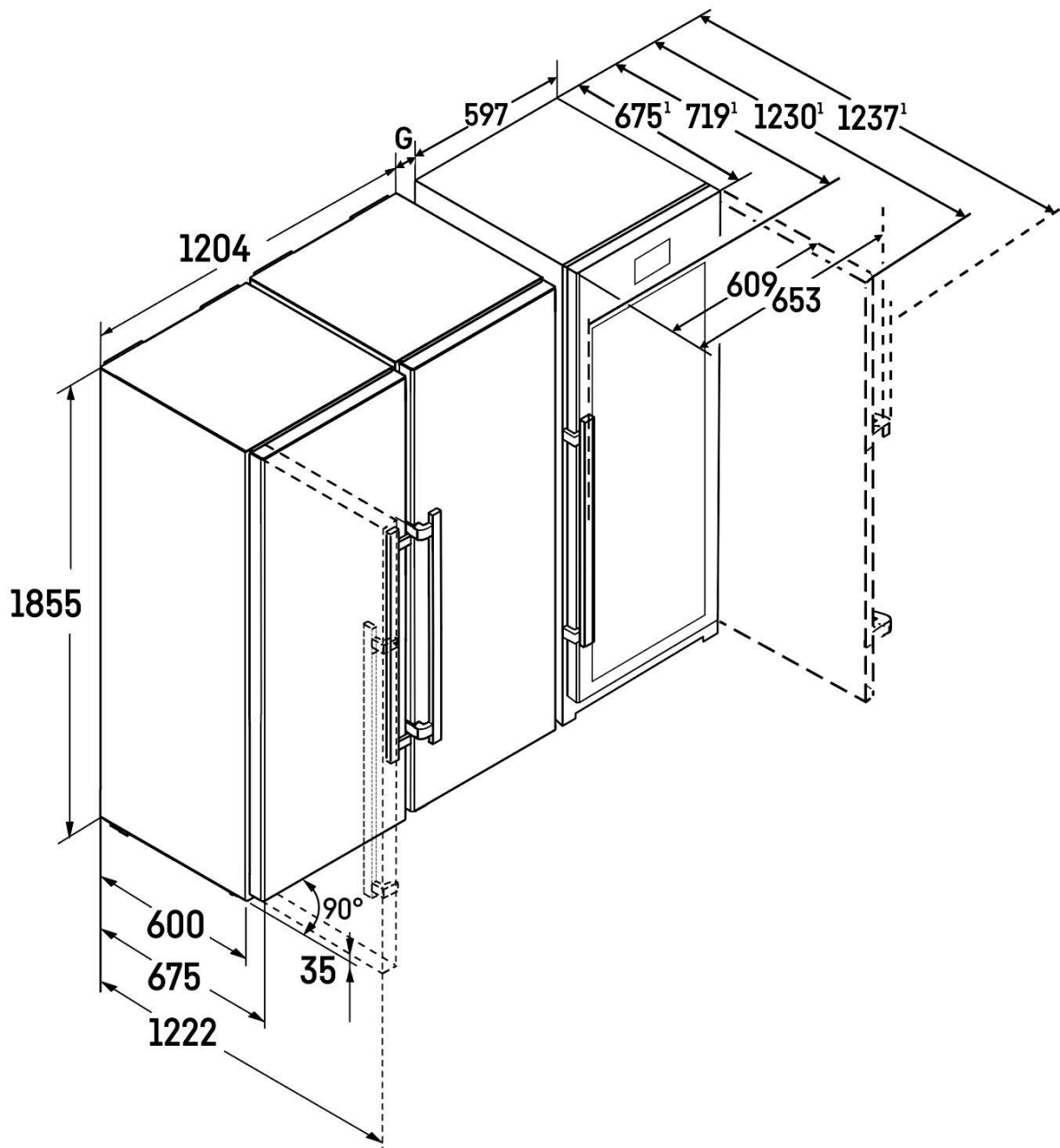
- ▶ Fit a pressure reducer.
- ▶ Make the water connection

Triplet Units





Triplet unit installation diagram



G) 2 options available:

01) Min. 25 mm with door limiter on the middle appliance for 90° opening.

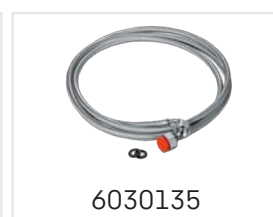
(Door limiter can be purchased separately)

02) Min. 50 mm without door limiter; 115° full opening for the middle appliance.

Accessories

Installation Accessories

FreshAir Activated Charcoal Filter	Set of 2	9882429
Door Opening Limiter	1 piece	9096414
3-metre Hose	1 piece	6030135
SmartDevice Box	1 piece	6125265



Liebherr-Singapore Pte Ltd

home.liebherr.com

Whilst every effort is made to ensure all specifications and information in this design guide are accurate,
Liebherr reserves the right to make changes without notification.

Where actual appliance measurements, specifications, and ratings are crucial, we recommend that the actual appliance installation
instructions that accompany each appliance be checked. Liebherr will not be liable for any loss.

For the latest available data, see home.liebherr.com. (Version 1.0/0526)