



Installation Guide

Quality, Design and Innovation



home.liebherr.com/fridge-manuals





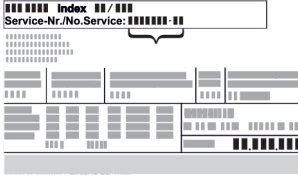




LIEBHERR

General safety instructions

Contents

| | | |
|---|--|---|
| 1 | General safety instructions | 2 |
| 2 | Installation dimensions | 3 |
| 3 | Integrating the appliance into a kitchen unit | 3 |
| 4 | Side by side assembly | 4 |

The manufacturer is continually working on the further development of all types and models. Please be aware that we reserve the right to make changes to the shape, equipment and technology.

| Symbol | Explanation |
|---|--|
|  | <p>Read instructions</p> <p>Please read the information in these instructions carefully to understand all of the benefits of your new appliance.</p> |
|  | <p>Additional information on the Internet</p> <p>The digital manual with additional information can be found via the QR code on the front of the manual or by entering the service number at home.liebherr.com/fridge-manuals.</p> <p>The service number can be found on the serial tag:</p>  <p style="text-align: center;"><i>Fig. Example illustration</i></p> |
|  | <p>Check appliance</p> <p>Check all parts for transport damage. If you have any complaints, please contact your agent or customer service.</p> |
|  | <p>Differences</p> <p>These instructions apply to a range of models, so differences are possible. Sections that apply to certain models only are marked with an asterisk (*).</p> |
|  | <p>Instructions and results</p> <p>Instructions are marked with a ▶.</p> <p>Results are marked with a ▷.</p> |
|  | <p>Videos</p> <p>Videos about the appliances are available on the YouTube channels of Liebherr-Hausgeräte.</p> |

Open source licences:

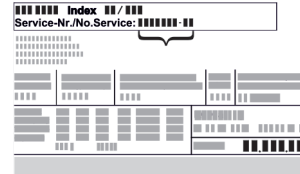
The appliance contains software components that use open source licences. Information on the open source licences used can be found here: home.liebherr.com/open-source-licences

1 General safety instructions




- Please keep this assembly manual in a safe place so you can refer back to it at any time.
- If you pass the appliance on, please hand this assembly manual to the next user.
- Read this assembly manual carefully before installation and use to ensure safe and correct use of the appliance. Follow the instructions, safety instructions and warning

messages included at all times. They are important for ensuring you can operate and install the appliance safely and without any problems.

- First read the general safety instructions in the “General safety instructions” section of the **operating instructions**, which accompany these installation instructions, and follow them. If you cannot find the **operating instructions**, you can download the **operating instructions** from the internet by entering the service number at home.liebherr.com/fridge-manuals. The service number can be found on the serial tag:



- **Observe the warning messages and other detailed information in the other sections when installing the appliance:**

| | | |
|--|---------|---|
|  | DANGER | identifies a situation involving direct danger which, if not obviated, may result in death or severe bodily injury. |
|  | WARNING | identifies a dangerous situation which, if not obviated, may result in death or severe bodily injury. |
|  | CAUTION | identifies a dangerous situation which, if not obviated, may result in minor or medium bodily injury. |
| | NOTICE | identifies a dangerous situation which, if not obviated, may result in damage to property. |
| | Note | identifies useful instructions and tips. |

2 Installation dimensions

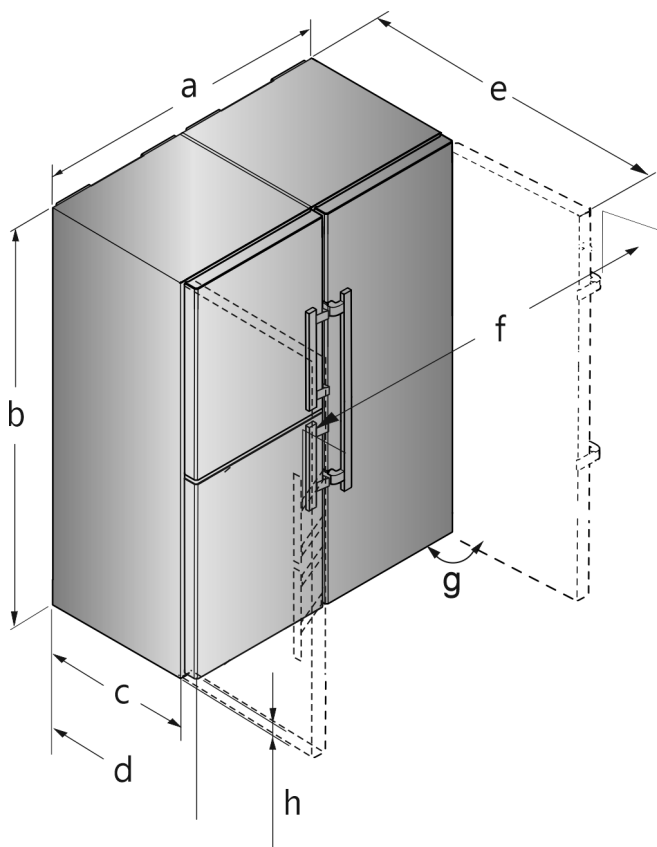


Fig. 1 Example illustration

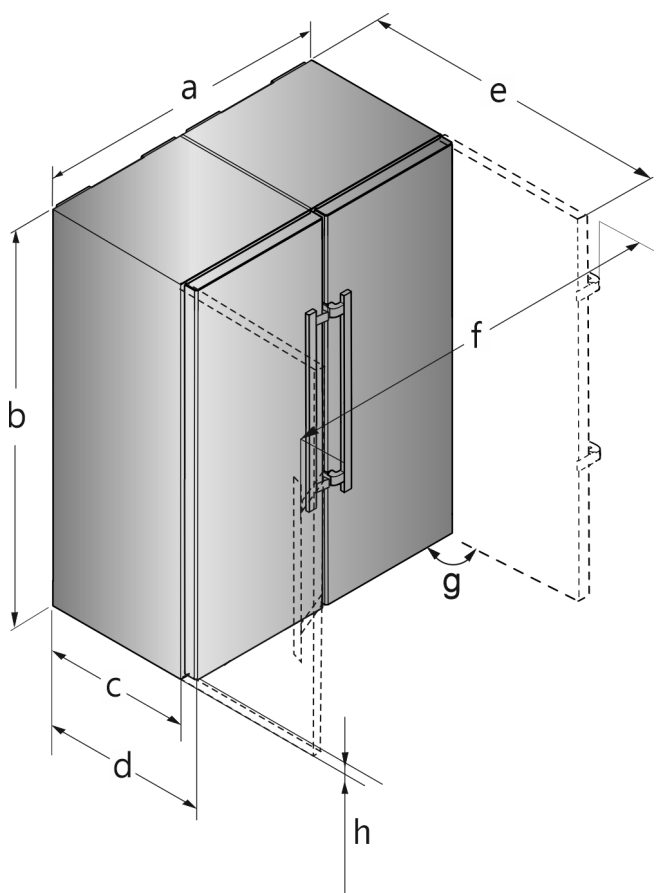


Fig. 2 Example illustration

| XCC.. 52.. / XRC.. 52.. / XRF.. 52.. | |
|--------------------------------------|------|
| a (mm) | 1204 |
| b (mm) | 1855 |
| c (mm)^x | 600 |
| d (mm)^x | 675 |
| e (mm)^x | 1222 |
| f (mm) | 1318 |
| g | 90° |
| h (mm) | 35 |

Dimensions with lever handle

^x If you use wall spacers, the specified dimension increases by 15 mm.*

e These dimensions apply for an opening angle of 90°.

f Spacing angles will vary according to the opening angle.

3 Integrating the appliance into a kitchen unit

You can integrate two SBS-compatible appliances flush into one kitchen unit. (see Fig. 3)

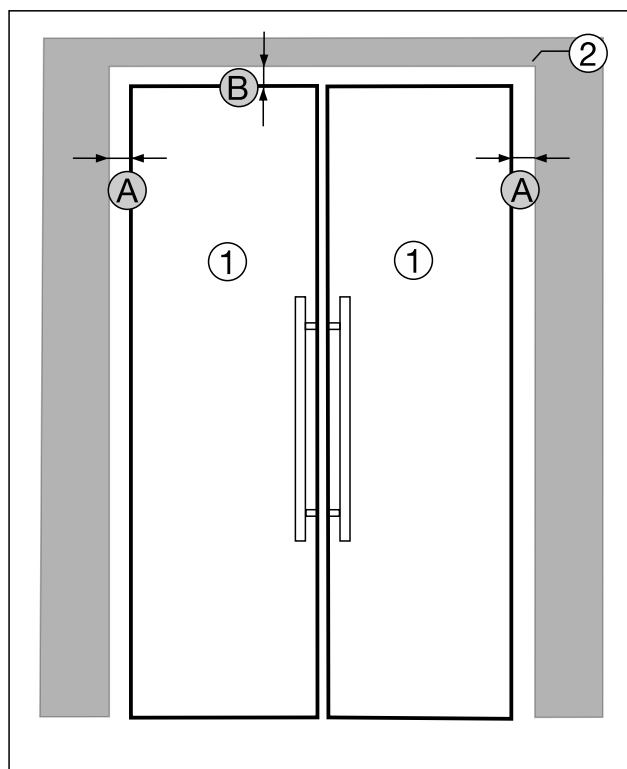


Fig. 3 View of flush installation, completely surrounded by kitchen units / wall

(1) SBS appliances

(A) Distance to the side of the kitchen cabinet / wall

(2) Kitchen cupboard / wall

(B) Distance upwards to kitchen cabinet / wall

Side by side assembly

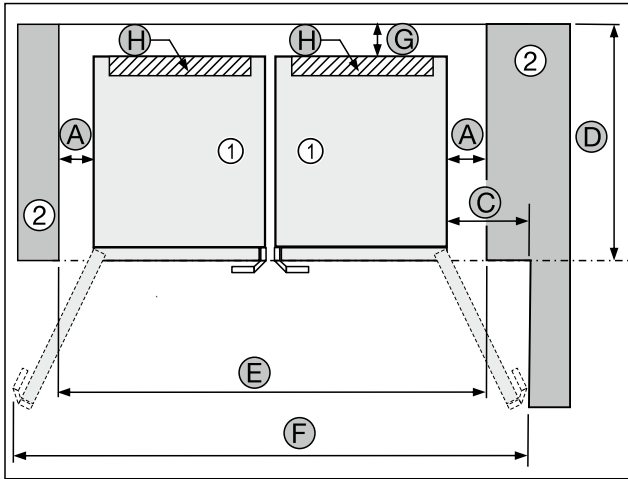


Fig. 4 Top view of flush installation with kitchen cabinet / wall on the right and door opening angle 115°

- (1) SBS appliances
- (2) Kitchen cupboard / wall
- (A) Distance to the side of the kitchen cabinet / wall
- (B) Distance to the side of the appliance
- (C) Distance to kitchen cabinet / wall with door opening angle 115°
- (D) Recess depth with wall spacer*
- (E) Niche width
- (F) Overall width with door opening angle 115°
- (G) Wall clearance to the rear with wall spacer*
- (H) Ventilation cut-out per appliance

| Installation dimensions | |
|-------------------------|-------------------------------|
| A | min. 35 mm |
| B | min. 10 mm |
| C | mind. 284 mm |
| D | min. 690 mm with wall spacer* |
| E | min. 1280 mm |
| F | mind. 1772 mm |
| G | 15 mm |
| H | min. 300 cm ² |



WARNING

Risk of fire due to short circuit!

- ▶ When you set the appliance up: do not kink, jam or damage the mains cable.
- ▶ The appliance must not be operated with a defective mains cable.

Ensure that the following requirements are met:

- The socket is easily accessible and is not behind the appliance.
- Connection dimensions are taken into account.
- Wall spacers are fitted. *
- ▶ Push the appliance into the kitchen unit.

4 Side by side assembly

NOTICE

Risk of damage due to door collision!

Damage to the appliances with Side-by-Side positioning. If you set up two appliances next to each other in a specific Side-by-Side arrangement, the door hinge of both appliances is preset at the factory.

- ▶ Side-by-Side positioning: Do not change the door hinge.

Set up the freezer or the appliance with the freezer compartment from the left when viewed from the front. These appliances are equipped with a side-wall heater on the right hand side to prevent condensation forming.

All the assembly components are supplied with the appliance.

Assembly parts in the accessory kit

For appliances with lever handle

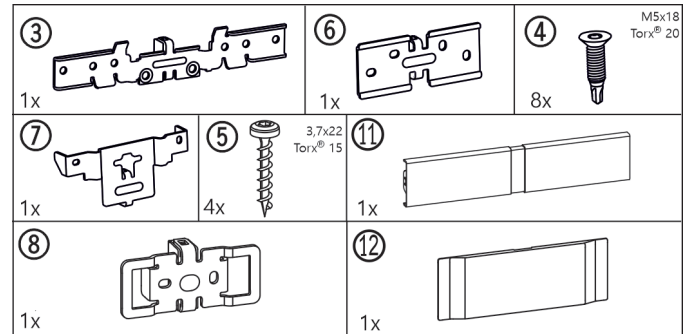


Fig. 5

For appliances with recessed grip

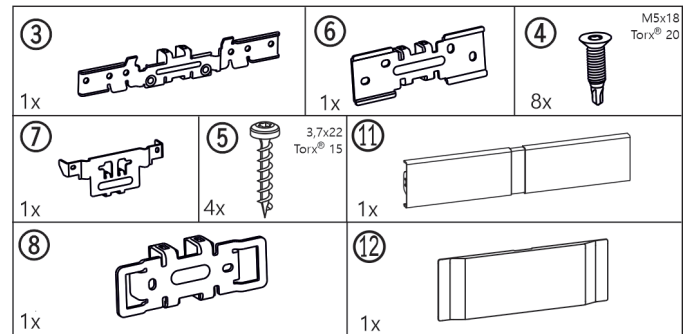


Fig. 6

For all appliances

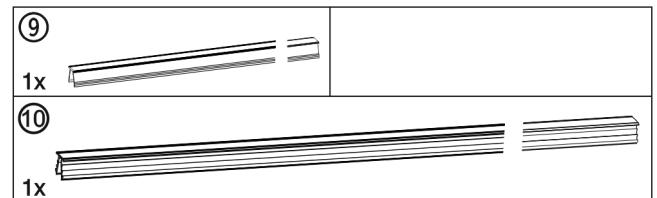


Fig. 7

For appliances with bottom soft stop mechanism

Base trims

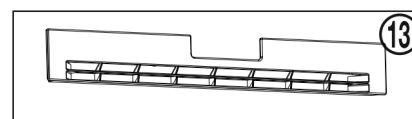


Fig. 8

For appliances without bottom soft stop mechanism

Base trims

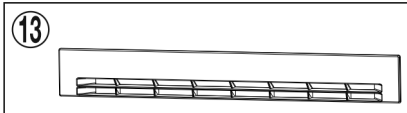


Fig. 9

Tool for assembly

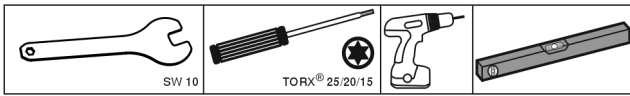


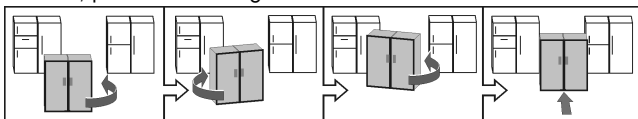
Fig. 10

Ensure that the following tools are to hand:

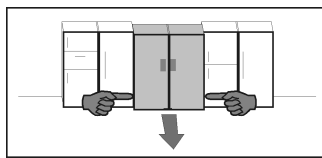
- ❑ Size 10 open-ended spanner (supplied)
- ❑ Torx® 25/20/15 screwdriver
- ❑ Cordless screwdriver
- ❑ Spirit level

Information on moving the SBS combination:

- ❑ Set up the appliances as close to the final position as possible before assembly. The appliances must be accessible on all sides for correct assembly.
- ❑ When moving the appliances after assembly, always take hold from the front outer corners. Never press your knee against the side walls or door.
- ❑ The SBS combination can be moved most easily when moved diagonally, that is by alternately pushing from the left and right corners. If the combination is standing directly in front of the recess, push it in straight.



- ❑ If the combination has to be pulled out of the recess again, take hold of the bottom third of the combination and pull forward straight.



NOTICE

Risk of damage when moving the combined SBS appliance! The combined SBS appliance is heavy once assembled. The appliance may be dented by improper movement.

- ▶ Observe the information given on moving the appliance (see above).

- ▶ Take off all protective film from the exterior of the appliance.

Bottom front of the appliance:

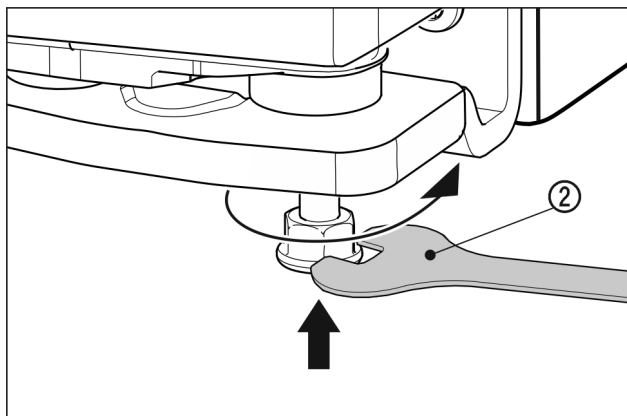


Fig. 11

- ▶ Tighten the outer adjusting feet. The appliances can be moved easier.

For appliances with lever handle

- ▶ Push both appliances so that they are approx. 10 mm apart from each other, and they are positioned flush facing forwards.

For appliances with recessed grip

- ▶ Push both appliances so that they are approx. 32 mm apart from each other, and they are positioned flush facing forwards.
- ▶ Straighten the appliances up using a spirit level on the top of the appliance.

Top front of the appliance:

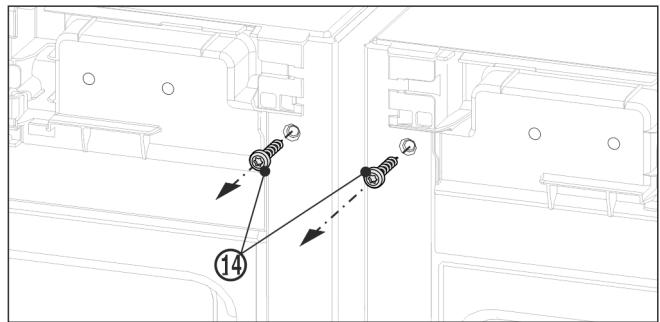


Fig. 12

- ▶ Remove the existing covers.
- ▶ Before fitting the top bracket remove both earthing screws Fig. 12 (14).
- ▶ Store the earthing screws safely. The screws will be necessary for fitting the bracket as shown below.

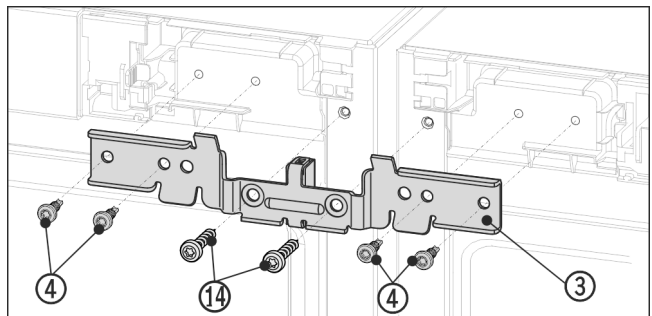


Fig. 13 Example illustration

- ▶ Slide the bracket Fig. 13 (3) onto the pins with the spacer between the appliances. Loosely screw in the brackets alternately right and left with four screws Fig. 13 (4) and the previously removed earthing screws Fig. 13 (14).
- ▶ If necessary: Check the appliance is stood straight by laying a spirit level on the top of the appliance.

Bottom front of the appliance:

- ▶ Remove the existing covers.

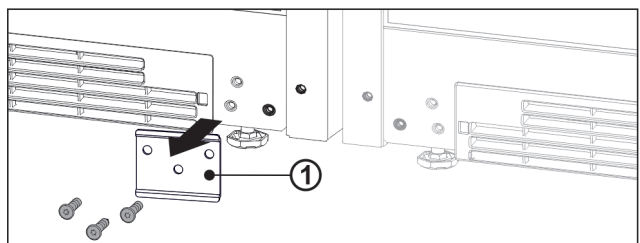


Fig. 14

- ▶ If the metal plate Fig. 14 (1) is installed, unscrew the metal plate.

Note

If you want to transport the appliance or set it up as an individual appliance, you must re-attach the metal plate.

Side by side assembly

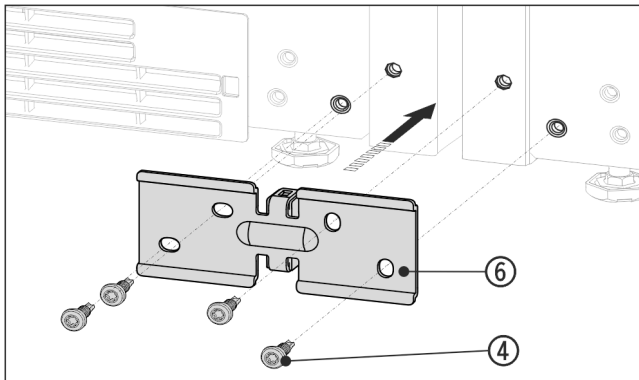


Fig. 15 Example illustration

- ▶ Slide the bracket Fig. 15 (6) on with the spacer between the appliances and screw in loosely with the 4 screws Fig. 15 (4).
- ▶ If necessary: Set up the appliances so that they are level.
- ▶ Tighten the screws firmly at the top and bottom.

Top rear of the appliance:

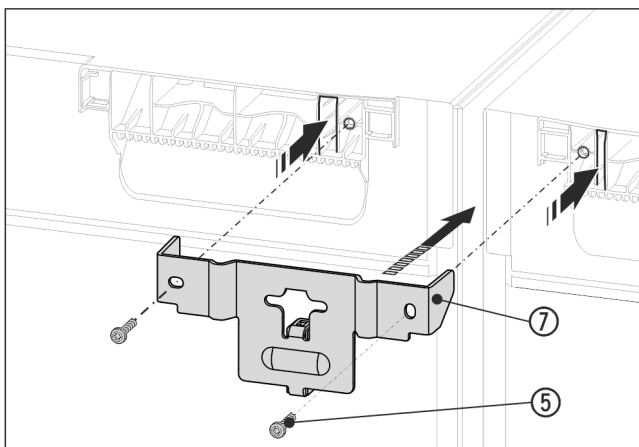


Fig. 16 Example illustration

- ▶ Slide the bracket Fig. 16 (7) onto the appliance ceiling with the lugs and with the spacer between the appliances. Screw in firmly with 2 screws Fig. 16 (5).

Bottom rear of the appliance:

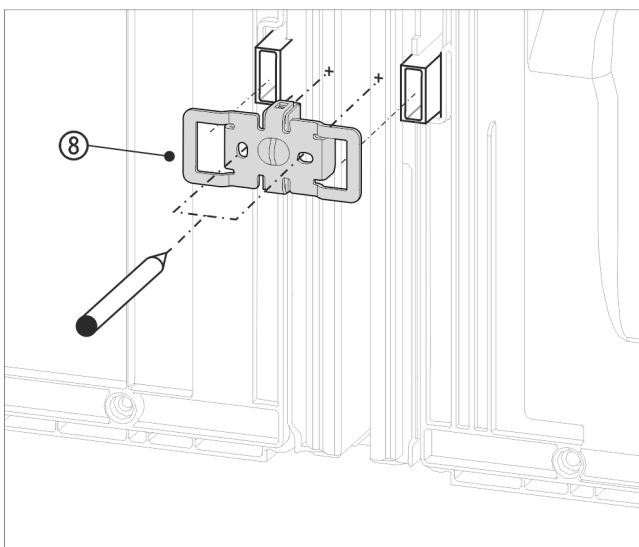


Fig. 17 Example illustration

- ▶ Slide the bracket Fig. 17 (8) on with the slots over the retainer for the wall spacers.

Note

Holes for the screws must be pre-drilled.

- ▶ Mark the position of the holes to be drilled with a pencil.
- ▶ Remove the bracket again.

Note

Only drill through the metal plate. Drill depth approx. 1 mm.

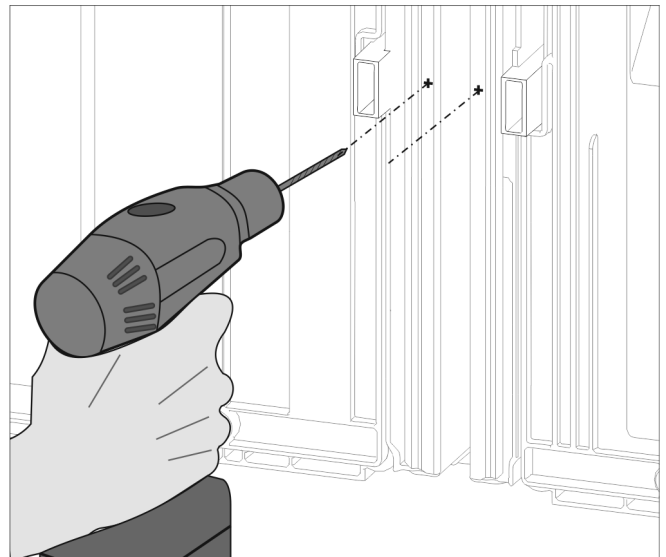


Fig. 18

- ▶ Pre-drill the screw holes with a 3 mm bit and deburr.

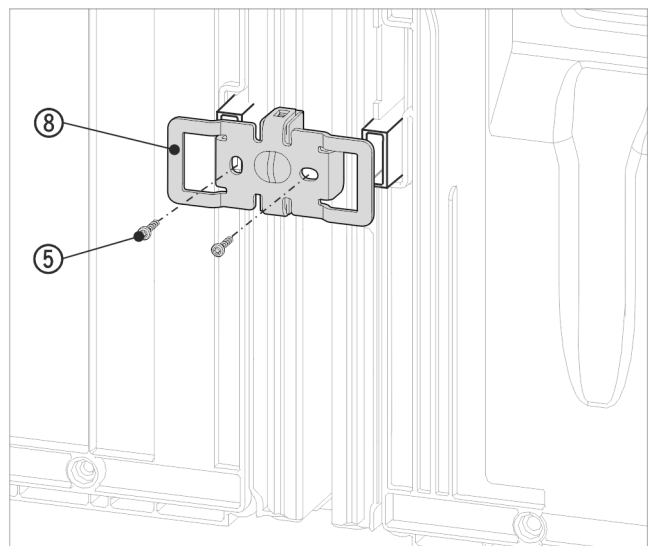


Fig. 19 Example illustration

- ▶ Slide the bracket Fig. 19 (8) on once more with the slots over the retainer for the wall spacers.
- ▶ Screw in tightly with the 2 screws Fig. 19 (5).

Before fitting the top and front cover strips, push the two bars together over the whole length. The strips can be inserted more easily into the gap. Use a soft cloth to push the strips in to avoid dents in the surface of the cover strips. Press the strips into the gap carefully and evenly in order to achieve an optimum bond.

For appliances with lever handle

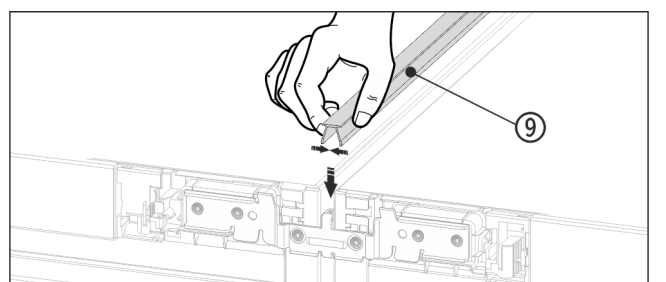


Fig. 20

- ▶ On the top press the short cover strip Fig. 20 (9) into the horizontal gap.

For appliances with recessed grip

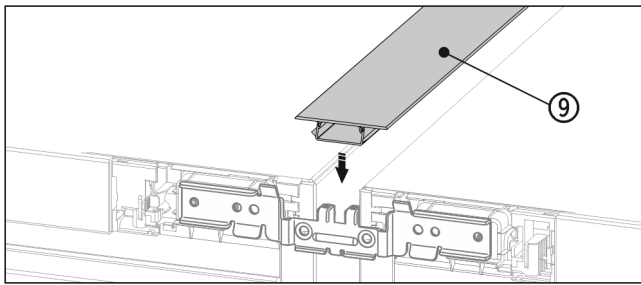


Fig. 21

- ▶ On the top press the short cover strip Fig. 21 (9) into the horizontal gap.

For appliances with lever handle

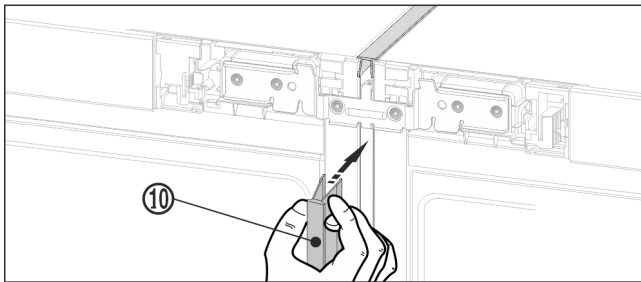


Fig. 22

- ▶ On the front, press the long cover strip Fig. 22 (10) into the vertical gap. Ensure that the strip rests on the connecting plate.

For appliances with recessed grip

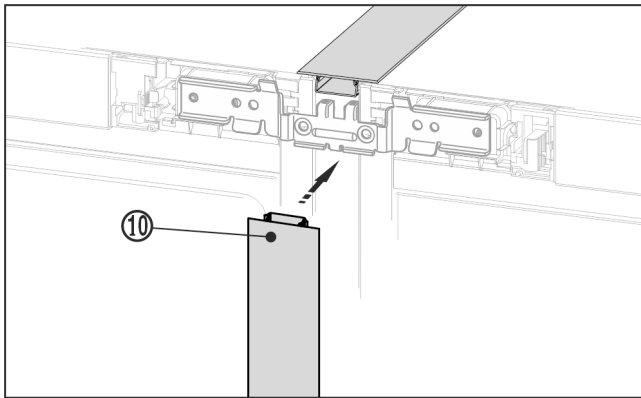


Fig. 23

- ▶ On the front, press the long cover strip Fig. 23 (10) into the vertical gap. Ensure that the strip rests on the connecting plate.
- ▶ Take off the protective film from the cover strip.*

Top front of the appliance:

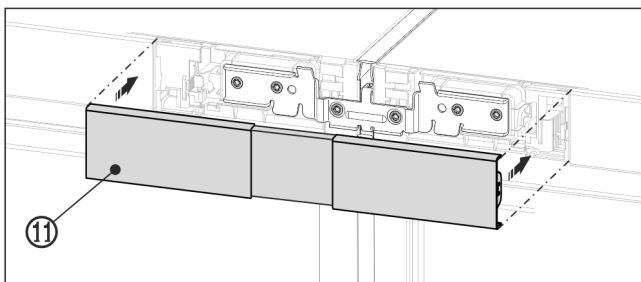


Fig. 24 Example illustration

- ▶ Snap the top cover Fig. 24 (11) onto the still open gap between the two control panel trims. Make sure that the outer sides of the cover form a flush finish with the control panel trims.

Bottom front of the appliance

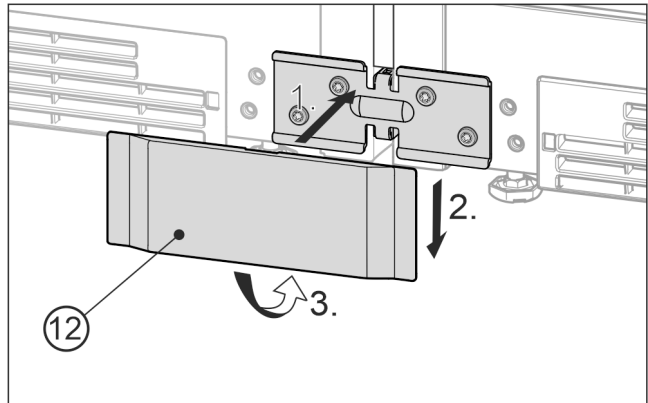


Fig. 25 Example illustration

- ▶ Place the bottom cover Fig. 25 (12) onto the bracket from the front Fig. 25 (1), slide it down Fig. 25 (2) and snap it in at the bottom Fig. 25 (3).
- ▶ To disassemble the cover, insert a screwdriver at the bottom on the side below the cover and release both lower hooks. The cover can swing out upwards.
- ▶ Connect the combination electrically. See the installation guide.
- ▶ Appliances with IceMaker or InfinitySpring:
▶ Connect the appliance to the fixed water connection. See the installation guide.

NOTICE

Risk of damage when moving the combined SBS appliance! The combined SBS appliance is heavy once assembled. The appliance may be dented by improper movement.

- ▶ Observe the information given on moving the appliance (see above).

- ▶ Carefully push the SBS combination into the specified position.
- ▶ If necessary, align the SBS combination using the leveling feet.
- ▶ Then prop up the door: Lower outer adjusting feet on the bearing bracket until they are resting on the floor.

The doors can be straightened at height on the outer lower bearing brackets:

- ▶ Open the door to 90°.

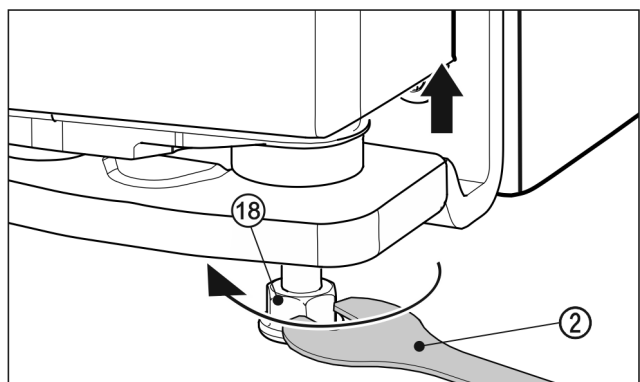


Fig. 26

- ▶ To lift the door, unscrew the adjusting foot Fig. 26 (18) clockwise using the supplied open-ended spanner Fig. 26 (2) until the foot makes contact with the floor. Then continue turning until the door is adjusted to the right height. When delivered, the bearing pin is completely screwed in.

Side by side assembly

Fit decorative base trim.

After you have assembled and straightened out the appliances, the base trims can be fitted at the bottom of the appliances. The base trims are decorative and will not affect the functionality of the appliances.

For appliances with bottom soft stop mechanism

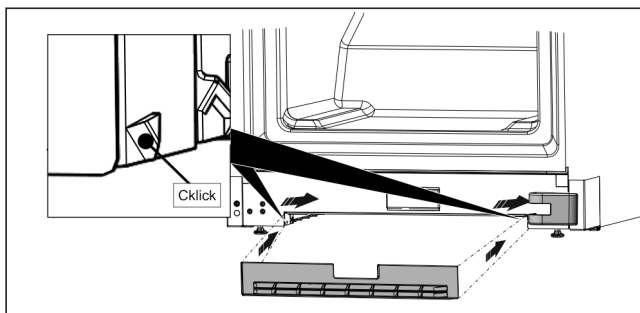


Fig. 27

- ▶ Attach the base trim to the bottom of the appliance in the recess.

Note

The base trim must be pushed to a little behind the bearing bracket cover.

For appliances without bottom soft stop mechanism

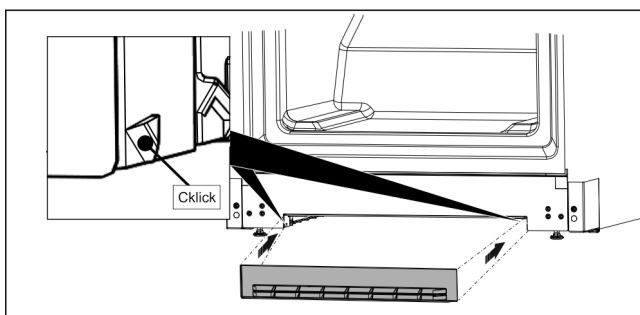


Fig. 28

- ▶ Secure the base trim recess at the bottom of the appliance, as shown in the figure.



home.liebherr.com/fridge-manuals

EN Side-by-Side combinations

Issue date: 20260206

Part number index: 7086163-01

Liebherr-Hausgeräte Marica EOOD
Bezirk Plovdiv
4202 Radinovo
Bulgarien