

# Operating and installation instructions



[home.liebherr.com/  
fridge-manuals](https://home.liebherr.com/fridge-manuals)

LIEBHERR

EN

ORIGINAL OPERATOR'S MANUAL

**LIEBHERR**

# Contents



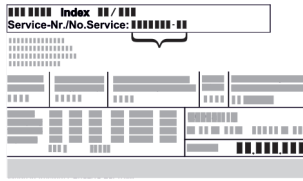




|          |  |           |
|----------|--|-----------|
| <b>1</b> | <b>Safety information and warnings.....</b>                  | <b>3</b>  |
| 1.1      | Intended use.....  | 3         |
| 1.2      | Climate classes.....   | 3         |
| 1.3      | User group.....  | 3         |
| 1.4      | Installation and commissioning.....                          | 4         |
| 1.5      | Safe handling of the appliance.....                          | 4         |
| 1.6      | Cleaning.....  | 4         |
| 1.7      | Faults, damage and repairs.....                              | 4         |
| 1.8      | Disposal.....  | 4         |
| 1.9      | Conformity.....  | 4         |
| 1.10     | SVHC substances in accordance with the REACH Regulation..... | 4         |
| 1.11     | EPREL database.....  | 4         |
| 1.12     | Open source licences.....                                    | 4         |
| 1.13     | Spare parts.....   | 5         |
| 1.14     | Symbols on the appliance.....                                | 5         |
| 1.15     | Warning levels.....  | 5         |
| <b>2</b> | <b>Appliance at a glance.....</b>                            | <b>5</b>  |
| 2.1      | Scope of delivery.....                                       | 5         |
| 2.2      | Overview of appliances and equipment.....                    | 5         |
| 2.3      | SmartDevice.....   | 5         |
| <b>3</b> | <b>Setting up and connecting.....</b>                        | <b>6</b>  |
| 3.1      | Installation requirements.....                               | 6         |
| 3.2      | Appliance dimensions.....                                    | 7         |
| 3.3      | Recess dimensions.....                                       | 7         |
| 3.4      | Custom panel weights.....                                    | 8         |
| 3.5      | Transporting the appliance.....                              | 8         |
| 3.6      | Unpacking the appliance.....                                 | 8         |
| 3.7      | Explanation of symbols used.....                             | 8         |
| 3.8      | Reversing the door.....                                      | 9         |
| 3.9      | Setting up the appliance.....                                | 11        |
| 3.10     | Installing multiple appliances.....                          | 11        |
| 3.11     | Disposing of packaging.....                                  | 12        |
| 3.12     | Installing the appliance in the recess.....                  | 12        |
| 3.12     | Cabinet fronts.....  | 19        |
| 3.13     | Dimensions.....  | 19        |
| 3.14     | Mounting the cabinet front(s).....                           | 19        |
| 3.15     | Setting the clearance to avoid collision.....                | 19        |
| 3.16     | Connecting the appliance to the power supply.....            | 20        |
| <b>4</b> | <b>Functionality of the Touch display.....</b>               | <b>20</b> |
| 4.1      | Navigation and symbol explanation.....                       | 20        |
| 4.2      | Menus.....   | 21        |
| 4.3      | Sleep mode.....  | 22        |
| <b>5</b> | <b>Putting into operation.....</b>                           | <b>22</b> |
| 5.1      | Switching on appliance (first use).....                      | 22        |
| <b>6</b> | <b>Storage.....</b>  | <b>22</b> |
| 6.1      | Information regarding storage.....                           | 22        |
| 6.2      | Fridge compartment.....                                      | 22        |
| 6.3      | BioFresh.....  | 22        |
| 6.4      | Freezer compartment.....                                     | 23        |
| 6.5      | Storage times.....   | 23        |
| <b>7</b> | <b>Saving energy.....</b>                                    | <b>24</b> |
| <b>8</b> | <b>Controls.....</b>   | <b>24</b> |
| 8.1      | Controls and displays.....                                   | 24        |
| 8.1.1    | Status display.....  | 24        |
| 8.1.2    | Display symbols.....   | 25        |
| 8.2      | Appliance functions.....                                     | 25        |
| 8.2.1    | Notes on the appliance functions.....                        | 25        |
|          | Switching the appliance off and on.....                      | 25        |
|          | Switching temperature zone off and on.....                   | 25        |
|          | Temperature.....   | 26        |



|   |           |
|---|-----------|
| BioFresh B-Value .....                                | 26        |
| D-Value.....  | 27        |
| SuperCool.....  | 27        |
| SuperFrost.....                                       | 27        |
| PartyMode .....                                       | 28        |
| HolidayMode.....                                      | 28        |
| SabbathMode.....                                      | 29        |
| E-Saver .....   | 29        |
| CleaningMode.....                                     | 30        |
| Input lock.....                                       | 30        |
| Reminder.....   | 30        |
| Temperature unit.....                                 | 31        |
| Display brightness.....                               | 31        |
| WiFi.....   | 31        |
| Device information.....                               | 32        |
| Software.....   | 32        |
| Start defrosting cycle*.....                          | 33        |
| Door alarm.....                                       | 33        |
| Demo mode.....  | 33        |
| Resetting to factory settings.....                    | 34        |
| 8.3 Messages.....                                     | 34        |
| 8.3.1 Overview of warnings.....                       | 34        |
| 8.3.2 Ending warnings.....                            | 35        |
| 8.3.3 Overview of reminders.....                      | 36        |
| 8.3.4 Ending reminders.....                           | 36        |
| <b>9 Features.....</b>                                | <b>36</b> |
| 9.1 Door rack.....                                    | 36        |
| 9.2 Shelves.....                                      | 37        |
| 9.3 Dividing shelf.....                               | 37        |
| 9.4 Space for baking tray.....                        | 37        |
| 9.5 Adjustable bottle shelf.....                      | 37        |
| 9.6 Drawers.....                                      | 38        |
| 9.7 Compartment lid for Fruit & Vegetable Safe.....   | 39        |
| 9.8 Glass shelves.....                                | 40        |
| 9.9 VarioSpace.....                                   | 40        |
| 9.10 Bottle holder.....                               | 40        |
| 9.11 FlexCube.....                                    | 41        |
| <b>10 Maintenance.....</b>                            | <b>41</b> |
| 10.1 FreshAir carbon filter.....                      | 41        |
| 10.2 Removing / inserting the bottle holder.....      | 41        |
| 10.3 Disassembling / assembling pull-out systems..... | 42        |

|           |   |           |
|-----------|---|-----------|
| 10.4      | Removing / inserting the variable bottle rack.....                    | 42        |
| 10.5      | Compartment lid for Fruit & Vegetable Safe.....                       | 42        |
| 10.6      | Defrosting the appliance.....   | 43        |
| 10.7      | Cleaning the appliance.....   | 43        |
| <b>11</b> | <b>Customer help.....</b>   | <b>44</b> |
| 11.1      | Technical specifications.....   | 44        |
| 11.2      | Operating noises.....   | 44        |
| 11.3      | Technical fault.....  | 45        |
| 11.4      | Customer Service.....   | 46        |
| 11.5      | Model plate.....  | 46        |
| <b>12</b> | <b>Shutting down.....</b>   | <b>46</b> |
| <b>13</b> | <b>Disposal.....</b>  | <b>46</b> |
| 13.1      | Preparing the appliance for disposal.....                             | 46        |
| 13.2      | Disposing of the appliance in an environmentally friendly manner..... | 46        |

The manufacturer is continually working on the further development of all types and models. Please be aware that we reserve the right to make changes to the shape, equipment and technology.

| Symbol   | Explanation  |
|--|--|
|    | <p><b>Read instructions</b></p> <p>Please read the information in these instructions carefully to understand all of the benefits of your new appliance.</p>  |
|   | <p><b>Additional information on the Internet</b></p> <p>The digital manual with additional information and in other languages can be found via the QR code on the front of the manual or by entering the service number at <a href="http://home.liebherr.com/fridge-manuals">home.liebherr.com/fridge-manuals</a>.</p> <p>The service number can be found on the serial tag:</p>  <p style="text-align: center;"><i>Fig. Example illustration</i></p> |
|  | <p><b>Check appliance</b></p> <p>Check all parts for transport damage. If you have any complaints, please contact your agent or customer service.</p>  |
|  | <p><b>Differences</b></p> <p>These instructions apply to a range of models, so differences are possible. Sections that apply to certain models only are marked with an asterisk (*).</p>   |
|  | <p><b>Instructions and results</b></p> <p>Instructions are marked with a ▶.</p> <p>Results are marked with a ▷.</p>  |
|  | <p><b>Videos</b></p> <p>Videos about the appliances are available on the YouTube channels of Liebherr-Hausgeräte.</p>  |

### Open source licences:

The appliance contains software components that use open source licences. Information on the open source licences used can be found here: [home.liebherr.com/open-source-licences](http://home.liebherr.com/open-source-licences)

This user information applies to the following appliances:

|               |      |
|---------------|------|
| ICB(N)..(i)   | 51.. |
| IKGBN 51Vd23i |      |

### Note

If your appliance has an N in its appliance designation, it is a NoFrost appliance.\*

## 1 Safety information and warnings

Keep this user information in a safe place so that you can refer to it at any time.

If you pass on the appliance, pass this user information on to subsequent owners.

To use the appliance properly and safely, read this user information carefully before installation and use. Always follow the instructions, safety instructions and warnings contained therein. They are important so that you can install and operate the appliance safely and properly.

### 1.1 Intended use

- This appliance is intended for household use and similar applications such as:
  - in staff kitchen areas in shops, offices and other work areas
  - in agricultural environments and by guests in hotels, motels and other accommodation
  - in bed and breakfasts
  - in catering and similar wholesale operations
- Further uses:
  - All other types of application are impermissible.

### 1.2 Climate classes

Depending on its climate class, the appliance is designed for operation within certain ambient temperature limits. The climate class for your appliance is printed on the type plate.

### Note

- ▶ In order to guarantee fault-free operation comply with the specified ambient temperatures.

| Climate class | for ambient temperatures from |
|---------------|-------------------------------|
| SN            | 10 °C to 32 °C                |
| N             | 16 °C to 32 °C                |
| ST            | 16 °C to 38 °C                |
| T             | 16 °C to 43 °C                |
| SN-ST         | 10 °C to 38 °C                |
| SN-T          | 10 °C to 43 °C                |

### 1.3 User group

- This appliance can be used by children aged from 8 years and above and persons with reduced physical, sensory or mental capabilities or lack of experience and knowledge if they have been given supervision or instruction concerning use of the appliance in a safe way and understand the hazards involved.
- Children must not play with the appliance.
- Children must not carry out cleaning and user maintenance without supervision.
- Children aged from 3 to 8 years are allowed to load and unload refrigerating appliances.

# Safety information and warnings

## 1.4 Installation and commissioning

- Only install and connect the appliance in accordance with the instructions in the user information.
- Install the appliance according to the instructions in the user information to prevent the appliance from tipping over.
- Do not close the ventilation openings in the appliance housing or in the installation housing.
- Do not damage the mains cable. The appliance must not be operated with a defective mains cable.
- Do not place portable multiple sockets or power supply units at the rear of the appliance.
- It must be easy to access the socket so that the appliance can be quickly disconnected from the power supply in case of an emergency. It must not be behind the appliance.

## 1.5 Safe handling of the appliance

- Do not store any explosive substances, such as aerosol containers with flammable propellant gas, in the appliance. These types of aerosol can be identified by the list of contents printed on it, or by a flame symbol. Any leaking gas may ignite due to electrical parts.
- Keep burning candles, lamps and other objects with naked flames away from the appliance, so that these do not set fire to the appliance.
- Alcoholic beverages and other containers bearing alcohol must be sealed tight for storage. Any leaking alcohol may ignite due to electrical parts.
- Avoid prolonged skin contact with cold surfaces or with cold/frozen food. Use gloves for protection, for example.
- The refrigerant contained (information on the type plate) is environmentally friendly but flammable. Leaking refrigerant may ignite.
  - Do not damage the refrigeration circuit.
  - Do not use any ignition sources inside the appliance.
  - Do not use electrical appliances inside the appliance (e.g. steam cleaners, heaters).
  - If the refrigerant leaks: remove any naked flames or ignition sources from the vicinity of the leakage point. Properly air the room. Inform customer service.
- Only open the door for a short time. This prevents the temperature inside the appliance from rising.
- Do not reach between the door and the appliance when opening and closing. Fingers may become trapped.
- The temperature in the warmest part of the appliance may be higher than the set temperature.

## 1.6 Cleaning

- Regularly clean surfaces that come into contact with food.
- Clean the defrost water drain regularly.
- Do not use an electric heater or steam cleaner, naked flames or defrost spray to speed up the defrosting process.
- Do not remove the ice with sharp objects.

## 1.7 Faults, damage and repairs

- If the mains connection cable of the appliance is damaged, replace the mains connection cable.
- Repairs and interventions on the appliance may only be carried out by the customer service or by other qualified personnel trained for this purpose.
- In the event of malfunctions and appliance faults, pull out the mains plug or switch off the fuse. Always hold the plug when pulling out the mains plug. Never tug on the cable.

## 1.8 Disposal

- The appliance contains valuable materials and is marked with the appropriate symbol. (see 1.14 Symbols on the appliance)
  - Do not dispose of the appliance in the household waste.
  - Dispose of the appliance free of charge at your local recycling centre using the Class 1 collection containers.
  - When purchasing a new appliance, return the old appliance to the retailer free of charge.
  - Provide information about return options.
- Your appliance may contain personal data.
  - Delete personal data before disposal.
- The appliance contains refrigerant (information on the type plate) and oil. The refrigerant inside the appliance is environmentally friendly, but flammable. The oil it contains is also flammable. Escaping refrigerant and oil can ignite in high concentrations and in contact with an external heat source.
  - Do not damage the refrigeration circuit.
  - Only dispose of the appliance in accordance with the instructions in the user information.

## 1.9 Conformity

The coolant circuit has been tested for leak-tightness. When installed, the appliance complies with the relevant safety regulations and directives.

|                     |   |
|---------------------|---|
| For the EU market:* | The appliance complies with Directive 2014/53/EU.*                                  |
| For GB market:*     | The appliance complies with the Radio Equipment Regulations 2017 SI 2017 No. 1206.* |

The full text of the EU Declaration of Conformity is available at the following web address: [www.liebherr.com](http://www.liebherr.com)

The BioFresh compartment fulfils the requirements of a chiller compartment in accordance with DIN EN 62552:2020.

## 1.10 SVHC substances in accordance with the REACH Regulation

- You can use the following link to check whether your appliance contains SVHC substances in accordance with the REACH Regulation:  
<https://go.liebherr.com/z3eewm>

## 1.11 EPREL database

- From 1 March 2021, the information on energy labelling and eco-design requirements will be available in the European product database (EPREL). The product database can be accessed via the following link <https://eprel.ec.europa.eu/>. Here, you are asked to enter the model identifier. You will find the model identifier on the type plate.

## 1.12 Open source licences

- The appliance contains software components that use open source licences. Information on the open source licences used can be found here:  
[home.liebherr.com/open-source-licences](http://home.liebherr.com/open-source-licences)

## 1.13 Spare parts

- The spare parts availability for functional parts and stockable parts of the equipment is 15 years.

## 1.14 Symbols on the appliance

|  |   |
|--|---|
|  | This symbol may be found on the compressor. It pertains to the oil in the compressor and indicates the following danger: Can be fatal if swallowed or with penetration of the respiratory tract. This information is only significant for recycling. No risk exists with normal use. Do not remove this symbol. |
|  | Warning: Fire hazard due to flammable substances. This symbol is located on the compressor and can also be found in other places on the appliance. This symbol warns of flammable substances. Do not remove this symbol.  |
|  | This or a similar symbol may be on the rear of the appliance. It indicates that there are vacuum insulation panels (VIP) or perlite panels in the door and/or housing. This information is only significant for recycling. Do not remove this symbol.   |
|  | This symbol is located on the type plate. It indicates that the appliance contains valuable materials and that you must not dispose of it with household waste. (see 1.8 Disposal)  |

## 1.15 Warning levels

|                  |   |
|------------------|---|
|                  | <b>DANGER</b><br>Identifies an immediately dangerous situation that will result in death or serious bodily injuries if it is not prevented. |
|                  | <b>WARNING</b><br>Identifies a dangerous situation that could result in death or serious bodily injury if it is not prevented.              |
|                  | <b>CAUTION</b><br>Identifies an immediately dangerous situation that could result in slight or moderate injuries if it is not prevented.    |
| <b>ATTENTION</b> | Identifies a hazardous situation that could result in property damage if it is not prevented.   |
| <b>Note</b>      | Identifies useful information and tips.   |

## 2 Appliance at a glance

### 2.1 Scope of delivery

Check all parts for transport damage. Contact your dealer or customer service in the event of complaints. (see 11.4 Customer Service)

Your new appliance comes with the following parts:

- Built-in appliance
- Features (depending on the model)
- Installation materials (depending on the model)

- "Quick Start Guide"
- "Installation Guide"\*
- Service Brochure

### 2.2 Overview of appliances and equipment

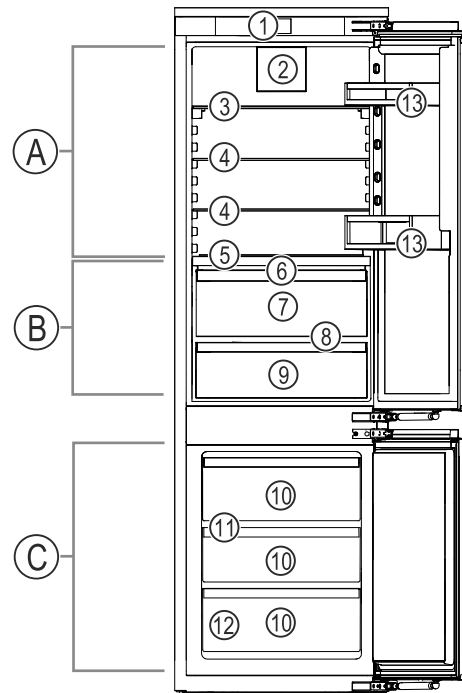


Fig. 1 Example illustration

#### Temperature range

- (A) Fridge compartment      (C) Freezer compartment  
(B) BioFresh

#### Equipment

- (1) Controls      (8) Drain hole  
(2) Fan with FreshAir activated charcoal filter      (9) Meat & Dairy safe  
(3) Divisible storage shelf      (10) Freezer drawer  
(4) Storage shelf      (11) VarioSpace  
(5) Variable bottle shelf      (12) Type plate  
(6) Lid for Fruit & Vegetable safe      (13) Door shelf  
(7) Fruit & Vegetable safe

### 2.3 SmartDevice

SmartDevice is the networking solution for your fridge-freezer.

If your appliance SmartDevice-enabled or compatible, you can quickly and easily connect your appliance to your WiFi. With the SmartDevice app, you can operate your appliance from a mobile device. Additional functions and setting options are available in the SmartDevice SmartDevice app.

SmartDevice-enabled appliance:\*

Your appliance is capable of being a SmartDevice. To be able to connect your device to WiFi, you need to download the SmartDevice app.\*

SmartDevice-compatible appliance:\*

Your appliance is compatible for use with the SmartDeviceBox. You must first purchase and install the SmartDeviceBox. In order to connect your appliance to the WiFi, you need to download the SmartDevice app.\*

# Setting up and connecting

More information about SmartDevice:

[smartdevice.liebherr.com](http://smartdevice.liebherr.com)

Purchasing the SmartDeviceBox in the Liebherr-Hausgeräte store:\*

[home.liebherr.com/shop/de/deu/smartdevicebox.html](http://home.liebherr.com/shop/de/deu/smartdevicebox.html)\*

Downloading the SmartDevice app:



After installing and configuring the SmartDevice app, you can connect your appliance to your Wi-Fi (see Wi-Fi) using the SmartDevice app and the appliance's Wi-Fi function.

## Note

The SmartDevice function is not available in the following countries: Russia, Belarus, Kazakhstan.

You cannot use the SmartDeviceBox.\*

## 3 Setting up and connecting

### 3.1 Installation requirements

The installation conditions are crucial to ensure that you can operate your appliance safely, efficiently and without problems.

- Observe all safety instructions.
- Consider the location and position in the room.



## WARNING

Danger of fire due to incorrect positioning!

If the mains cable or plug touches the back of the appliance, the vibration can damage the mains cable or the plug resulting in a short circuit.

- ▶ Make sure the mains cable is not trapped under the appliance when you position the appliance.
- ▶ Stand the appliance so that it is not touched by connectors or main cables.
- ▶ Do not connect any appliances to sockets in the area of the back of the appliance.
- ▶ Do **not** place and operate multi-sockets/power distributors and other electronic devices (such as halogen transformers) at the back of the appliances.



## WARNING

Fire hazard due to dampness!

If live parts or the mains lead become damp this may cause short circuits.

- ▶ The appliance is designed for use in enclosed areas. Do not operate the appliance outdoors or in areas where it is exposed to splash water or damp conditions.



## WARNING

Leaking coolant and oil!

Fire. The coolant contained in the appliance is eco-friendly, but also flammable. The oil contained in the appliance is flammable. Escaping coolant and oil can ignite if the concentration is high enough and in contact with an external heat source.

- ▶ Do not damage the pipelines of the coolant circuit and the compressor.

### 3.1.1 Installation site

- Only set up and use the appliance in enclosed spaces.
- Only operate the appliance when it is installed.
- If the appliance is installed in a very damp environment, condensation may form on the appliance exterior. Always make sure there is good ventilation and aeration at the installation site.
- The more refrigerant there is in the appliance, the larger the room must be in which it is located. In rooms that are too small, a leak can produce a flammable gas/air mixture. For every 8 g of refrigerant, the installation room must be at least 1 m<sup>3</sup> in size. Information on the refrigerant contained is given on the type plate inside the appliance.
- The floor on which the appliance stands must be horizontal and level.

### 3.1.2 Position in space

- Do not install the appliance in direct sunlight or near radiators or similar sources of heat.
- You can install the appliance directly next to an oven.
- If the appliance is installed directly next to an oven, the energy consumption may increase slightly. This is dependent on the service life and usage intensity of the oven.
- Only fit the appliance into solid units.
- Use in hazardous areas is not permitted.

## 3.2 Appliance dimensions

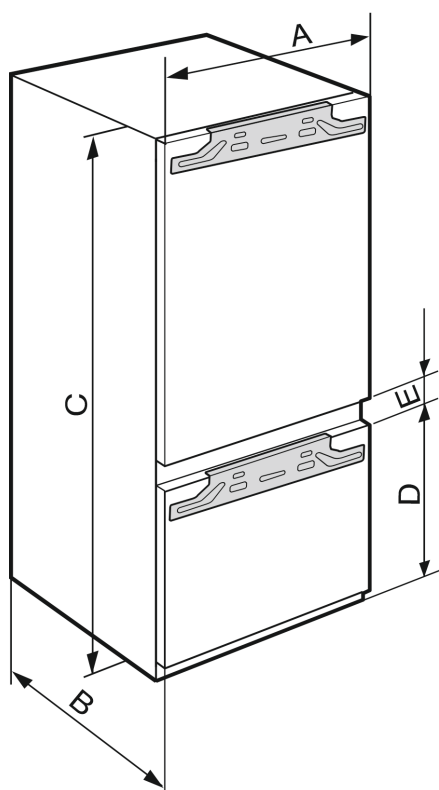


Fig. 2

| ICB..(i) 51.. |      |
|---------------|------|
| <b>A (mm)</b> | 559  |
| <b>B (mm)</b> | 546  |
| <b>C (mm)</b> | 1770 |
| <b>D (mm)</b> | 549  |
| <b>E (mm)</b> | 15   |

Niche height 1780 - combinations with 2 freezer compartments

| IC(B)(N)..(i) 51.. / ICBNbsci 5173 / IKG 51Ve03 / IKGN 51Vc03 / IKGBN 51VD23i / ICNbsci 5173 / SICN..i 51.. / IKGN 51Ve03 / IKGnc 1783 / IC(B)Ndx 5173 |      |
|--|------|
| <b>A (mm)</b>  | 559  |
| <b>B (mm)</b>  | 546  |
| <b>C (mm)</b>  | 1770 |
| <b>D (mm)</b>  | 695  |
| <b>E (mm)</b>  | 15   |

Niche height 1780 - combinations with 3 freezer compartments

## 3.3 Recess dimensions

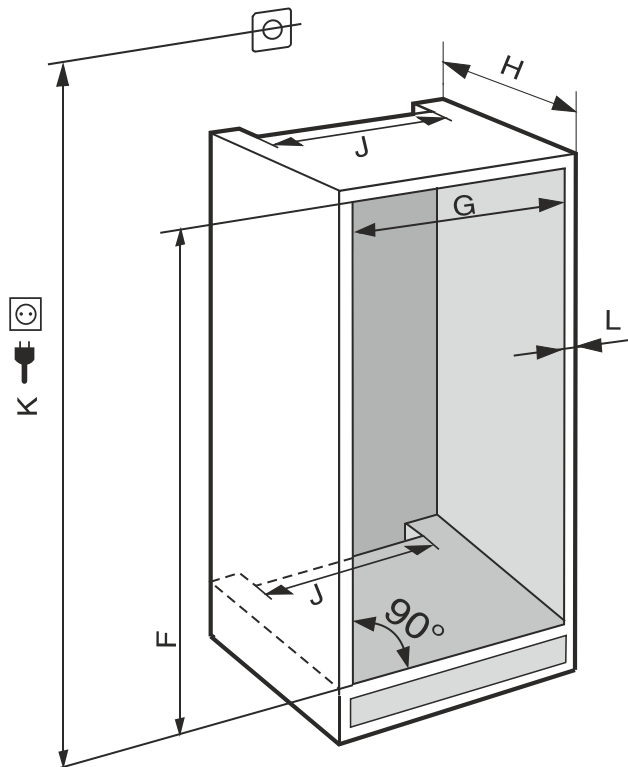


Fig. 3 (K): max. 2100 mm

Observe the following information for devices with a fixed water connection:

- Water connection
- Connecting the device to the water supply

IC(B)(N)..(i) 51.. / ICBNbsci 5173 / IKG 51Ve03 / IKGN 51Vc03 / ICNbsci 5173 / IKGN 51Ve03 / IKGBN 51VD23i / IR(B)(P)..(i) 51.. / IRD..i 51.. / IRBbsci 5170 / IRBbsci 5171 / IRBPbsci 5170 / IKB 51Vc50i / IKB 51Vc51i / IK 51Vd00 / IK 51Ve00 / IK 51Ve01 / IK(B).. 1780 / IK(B).. 1784 / IKGnc 1783 / SICN..i 51.. / SIFN..(i) 51.. / SIFNbsdi 51.. / SIGN 51Vd28 / IC(B)Ndx 5173

|               |                           |
|---------------|---------------------------|
| <b>F (mm)</b> | 1772 to 1788              |
| <b>G (mm)</b> | 560 to 570                |
| <b>H (mm)</b> | min. 550, recommended 560 |
| <b>J (mm)</b> | min. 500                  |
| <b>L (mm)</b> | max. 19                   |

The specified energy consumption was determined with a kitchen unit depth of 560 mm. The appliance will work properly at a kitchen unit depth of 550 mm, but with a slightly higher energy consumption.

- ▶ Check the wall thickness of adjacent cabinets: They must have a minimum of 16 mm .
- ▶ Only fit the appliance into stable, solid kitchen units. Secure the unit against tipping.
- ▶ Align the cabinets with a spirit level and a try square. If necessary, level them by putting something underneath them.
- ▶ Make sure floor and the side panels of the cabinet are at right angles to each other.

# Setting up and connecting

## 3.3.1 Ventilation requirements

### NOTICE

Covered vents!

Damage. Appliance can overheat, which can reduce the service life of various parts of the appliance and lead to operational impairments.

- ▶ Always make sure there is good ventilation.
- ▶ Always keep vents or ventilation grids in the appliance housing and in the kitchen furniture (fully integrated appliance) unobstructed.
- ▶ Always keep the fan air vents unobstructed.

Always follow the required ventilation gaps:

- The depth of the ventilation shaft at the back of the cabinet must be at least 38 mm.
- At least 200 cm<sup>2</sup> is required for the ventilation gap cross sections in the plinth and the housing cabinet.
- As a rule, the larger the ventilation cross-section, the more efficiently the appliance will run.

Sufficient ventilation is required for the operation of the appliance. The ventilation grids provided ensure an effective ventilation cross-section on the appliance of 200 cm<sup>2</sup>. If you replace the ventilation grids with a cover plate the ventilation cross-section must be as least as large as the ventilation grid provided by the manufacturer.

## 3.4 Custom panel weights

### NOTICE

An excessively heavy custom panel can potentially cause damage!

If the custom panel is too heavy, damage to the hinges cannot be ruled out, which may compromise the functionality of the unit.

- ▶ Before fitting the custom panel, ensure the custom panel does not exceed the permissible weight.

| Niche height (mm) | Maximum weight of custom panel (kg) |                          |
|-------------------|-------------------------------------|--------------------------|
|                   | Fridge compartment door             | Freezer compartment door |
| 1780              | 18                                  | 12                       |

*Customising combinations*

## 3.5 Transporting the appliance

### 3.5.1 Transporting the appliance for initial use

Ensure that the following requirements are met:

- The appliance is packaged.
- The appliance is upright.
- ▶ Transport the appliance with the help of two people.
- ▶ Unpacking the appliance. (see 3.6 Unpacking the appliance)

### 3.5.2 Transporting the appliance after initial use

Observe the following instructions if you wish to transport or move the appliance again after initial use.

Ensure that the following requirements are met:

- The appliance is emptied.
- The appliance is upright.
- Appliance with door(s): Door is secured against accidental opening.











- Appliance with telescopic unit: The telescopic unit is secured against accidental opening.
- Appliance is removed.
- ▶ Transport the appliance with the help of two people.


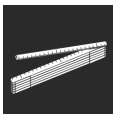









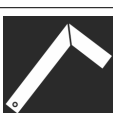
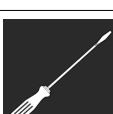



## 3.6 Unpacking the appliance

Before you connect the appliance, report any damage immediately to the delivery company.

- ▶ Check the appliance and the packaging for damage during transport. Contact the supplier immediately if you suspect any level of damage.
- ▶ Remove all materials from the back or the side walls of the appliance that may prevent proper installation or ventilation.
- ▶ Remove all protective films from the appliance. Do not use sharp or pointed objects for this.

## 3.7 Explanation of symbols used

|  |  |
|--|--|
|     | There is a danger of injury during this step! Observe the safety instructions!   |
|     | The instruction is valid for several models. Only perform this step if it applies to your appliance.                   |
|    | For installation, please refer to the detailed description in the text section of the instructions.                    |
|  | Section is valid for either a single-door appliance or a double-door appliance.  |
|  | Choose between the following options: Appliance with door hinge on the right or appliance with door hinge on the left. |
|   | Installation step required for IceMaker and/or InfinitySpring.   |
|   | Only loosen or lightly tighten the screws.   |
|   | firmly tighten the screws.   |
|   | Check whether the following step is necessary for your model.  |
|   | Check that the components used are correctly installed/fitted.   |

|  |  |
|--|--|
|    | Measure the specified dimension and correct if necessary.  |
|    | Tool for installation: Metre stick   |
|       | Tool for installation: Cordless screwdriver and use<br>A lengthwise bit insert is recommended for good access to the screws. |
|    |  |
|    | Tool for installation: Spirit level  |
|    | Tool for installation: Open-end wrench with AF 7 and AF 10   |
|   | Two people are required for this step.   |
|   | The step takes place at the marked location on the appliance.  |
|    | Aid for installation: String   |
|    | Aid for installation: Protractor   |
|    | Aid for installation: Screwdriver  |
|    | Aid for installation: Scissors   |
|    | Aid for installation: Marking pen, wipeable  |
|    | Included: Remove components  |



Dispose of components that are no longer required in accordance with local regulations.

## 3.8 Reversing the door

### Tool



Fig. 4

### NOTICE

Live parts!

Damage to electrical components.

► Remove the mains plug before you reverse the door.

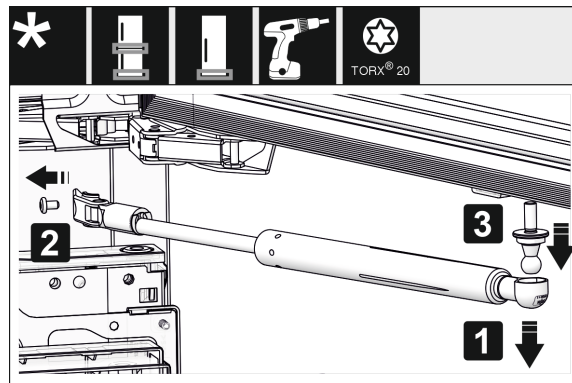


Fig. 5

► Removing the soft stop damper: Remove the soft stop damper from the ball stud (1). Unscrew the retainer (2). Remove the ball stud with a screwdriver (3).

### Note

If the closing damper is only slightly above the floor, you can only remove the ball pins when the door is removed.

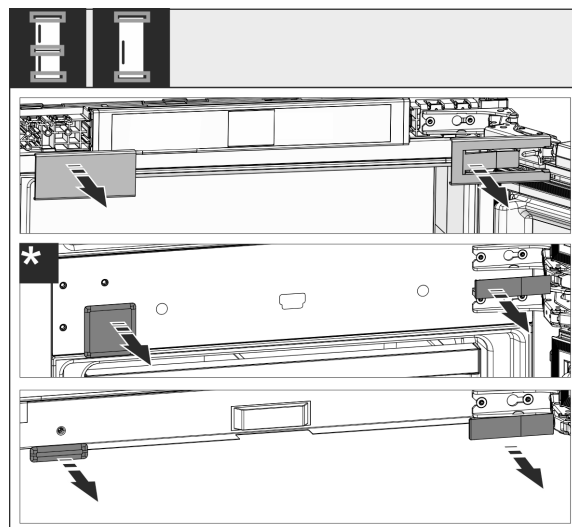


Fig. 6

► Remove covers.

# Setting up and connecting

## Note

When removing the covers, ensure that the surface does not get scratched.

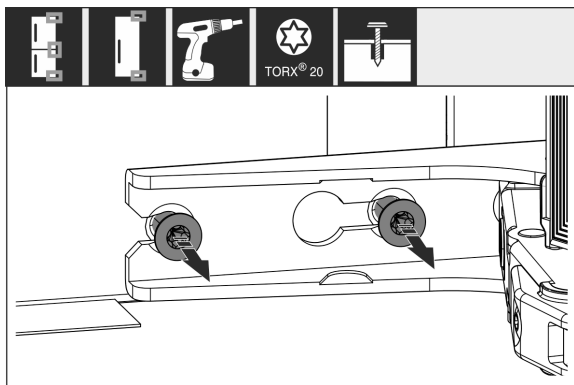


Fig. 7

- ▶ Loosen the screws on **all** hinges but do not remove them.

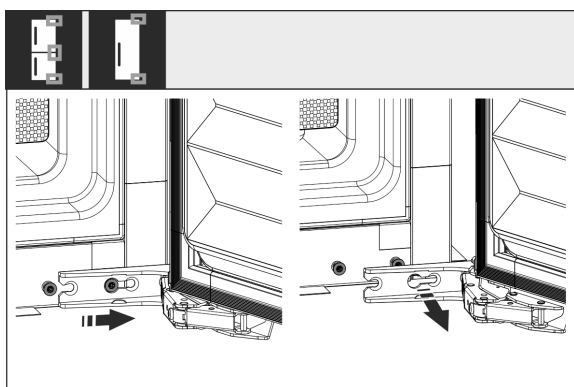


Fig. 8\*

- ▶ Removing the door: Push the door forward and then out, unhang it and put it to one side.

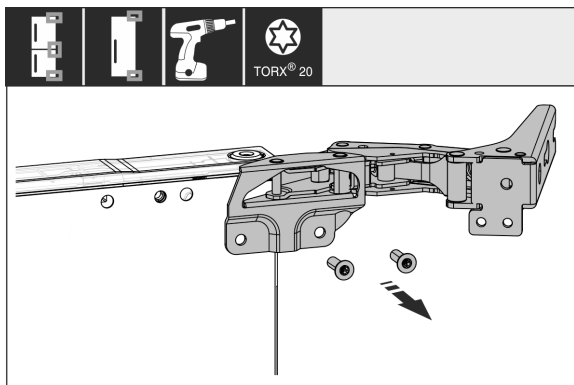


Fig. 9

- ▶ Unscrew all hinges and set aside together with the screws.

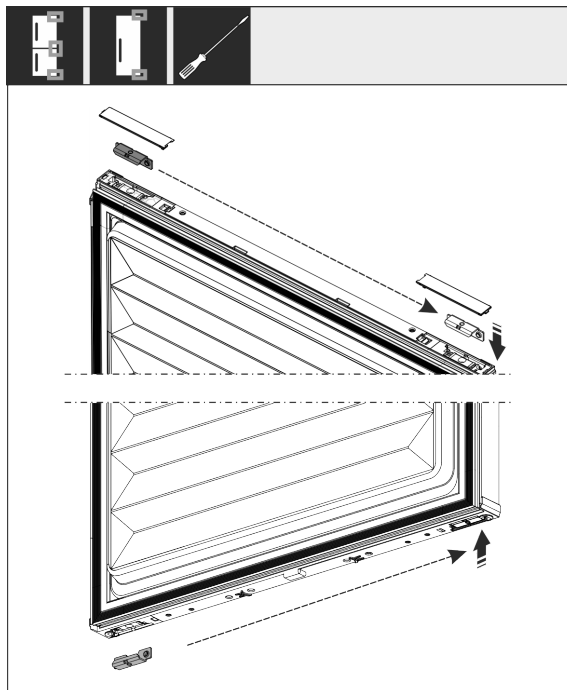


Fig. 10

- ▶ Loosen and shift the bracket at the top and bottom of the door. The bracket must be shifted so you can screw on the hinges.

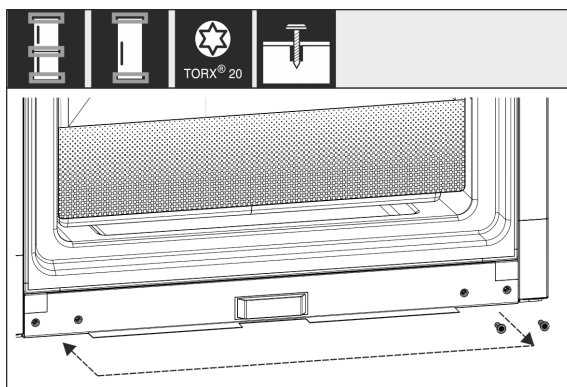


Fig. 11

- ▶ Shift the screws to fasten the hinge. Do not screw tightly after shifting – you need to hang the hinges later.

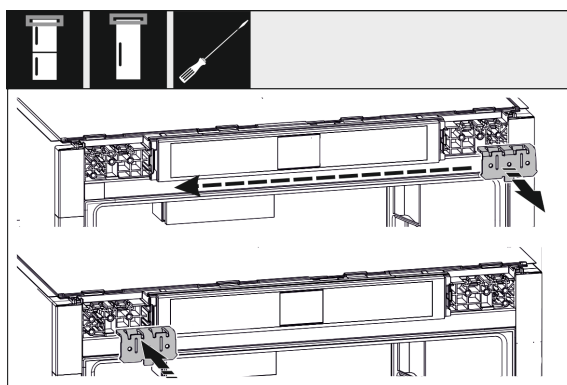


Fig. 12

- ▶ Move the fixing bracket to the opposite side.

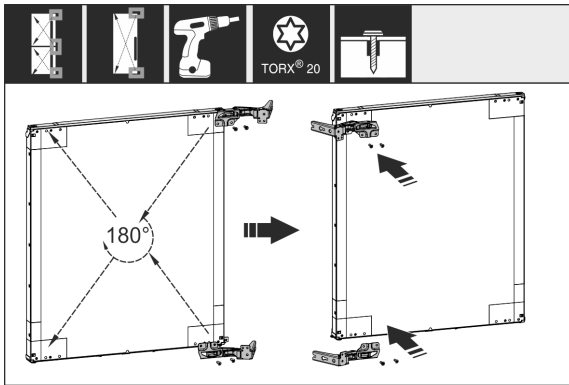


Fig. 13

- ▶ Turn all hinges 180° to the opposite side and screw firmly.

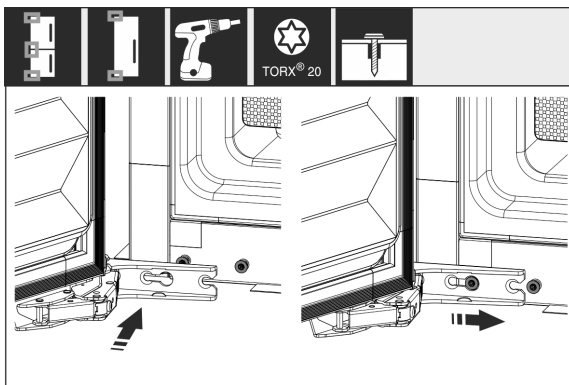


Fig. 14 \*

- ▶ Refitting the door: Hang the door with its hinges and tighten the screws.

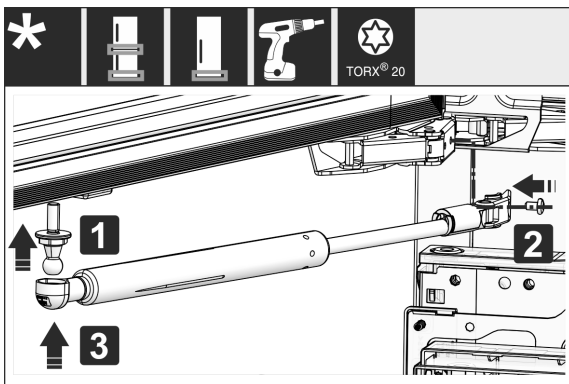


Fig. 15

- ▶ Refitting the closing dampers: Screw in the ball studs (1), tighten the bracket (2) and hang the closing dampers in the ball studs.
- ▶ Check all screws and retighten if necessary.

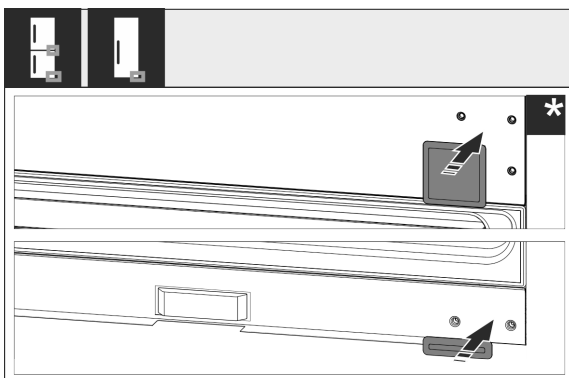


Fig. 16

- ▶ Reassemble the bottom and centre cover. Only replace the remaining covers after installing the appliance back into the cabinet.

## 3.9 Setting up the appliance



### CAUTION

Risk of injury due to heavy appliance!

- ▶ Have two people transport the appliance to its installation site.



### WARNING

Danger of injury and damage due to the appliance being unstable!

The appliance can topple over.

- ▶ Secure the appliance as described in the instructions.



### WARNING

Fire hazard and danger of damage!

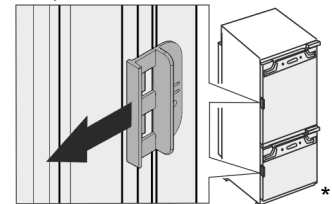
- ▶ Do not place appliances emitting heat e.g. microwaves, toasters etc. on the appliance!

If possible, have the appliance installed in the kitchen unit by a professional.

Do not install the appliance on your own.

### 3.9.1 After installation

- ▶ Remove all transport safety components.
- ▶ Pull off the transport lock on the appliance door.



- ▶ Clean the appliance (see User Guide, Cleaning the appliance).

## 3.10 Installing multiple appliances

The appliances have been developed for different installation methods. If you wish to install several appliances next to each other or on top of each other, ensure that the following requirements are met:

- Only install appliances next to or on top of each other if they have been developed for this.
- Observe notices and the following table.

### NOTICE

Risk of damage due to condensate!

- ▶ Do not place the appliance directly next to another cooling/refrigeration unit.

### NOTICE

Risk of damage due to condensation!

- ▶ Do not place the appliance directly on top of another cooling/refrigeration unit.

| Model  | Installation method |
|--|---------------------|
| All models   | Standalone          |
| Models with a model designation starting with <b>S</b> ... | Side-by-Side (SBS)  |

# Setting up and connecting

| Model   | Installation method  |
|---|----------------------|
| Models up to a maximum niche height of 880 mm and with a heated ceiling can be installed "on top of each other".<br>Top appliance: up to a maximum niche height of 140 mm | On top of each other |

Models and their installation method

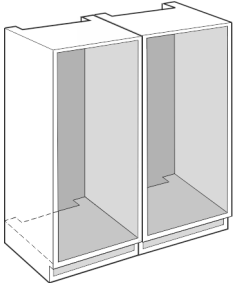


Fig. 17

Install each appliance into a separate unit niche.

## 3.11 Disposing of packaging



### WARNING

Danger of suffocation due to packing material and plastic film!

► Do not allow children to play with packing material.

The packaging is made of recyclable materials:

- corrugated board/cardboard
- expanded polystyrene parts
- polythene bags and sheets
- polypropylene straps
- nailed wooden frame with polyethylene panel\*

► Take the packaging material to an official collecting point.

## 3.12 Installing the appliance in the recess

Tool

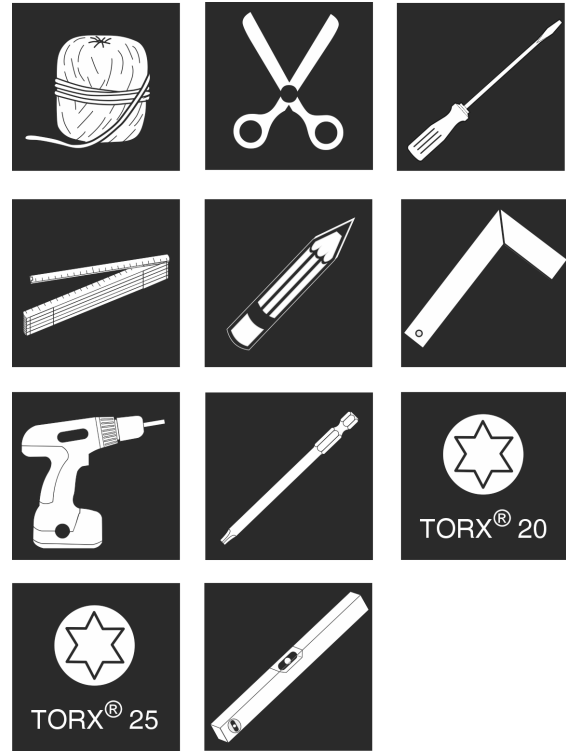


Fig. 18

### Supplied assembly parts

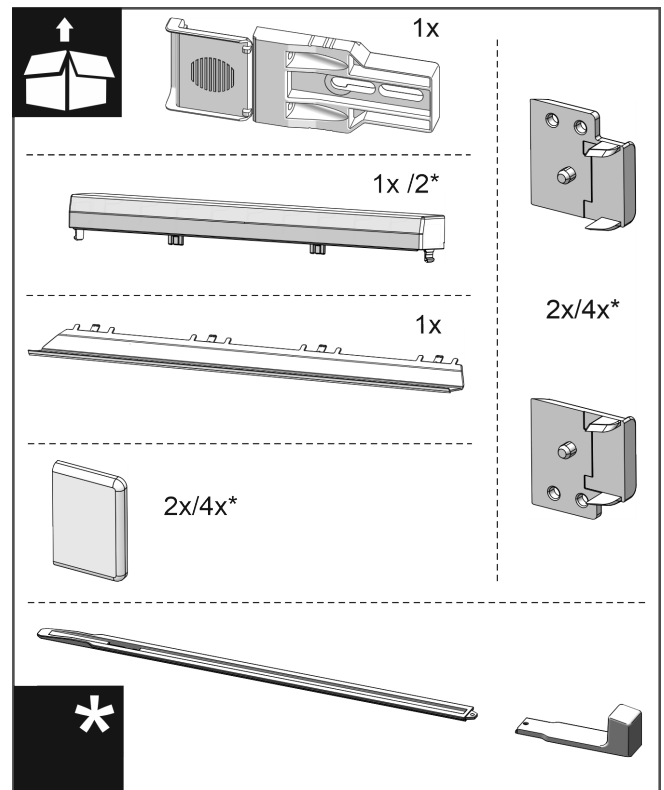


Fig. 19

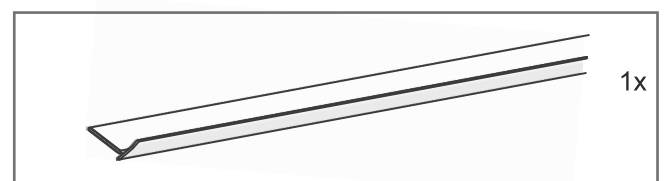


Fig. 20



Fig. 21



Fig. 22



Fig. 23

- Disconnect the base installation bracket at the perforation.

## NOTICE

Correct installation depth of the appliance.

- Using the mounting bracket ensures the correct installation depth of the appliance.

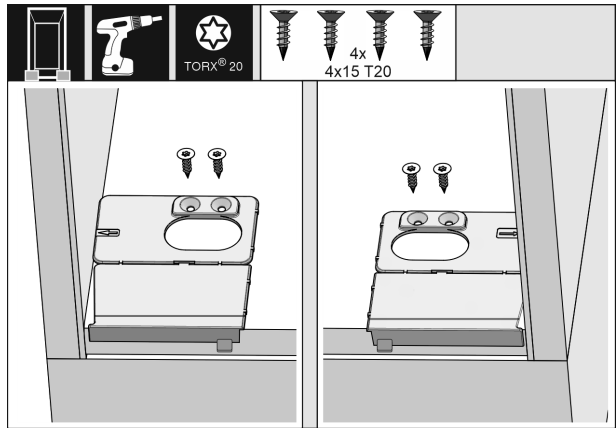


Fig. 24

- Screw the mounting brackets on the left and right of the recess floor, flush to the side wall.

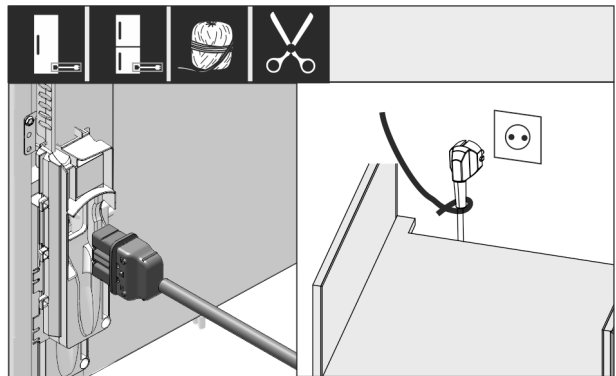


Fig. 25

- Remove the mains cable from the package.
- Plug the mains cable's IEC socket completely into the appliance plug on the back of the appliance. Ensure that the IEC socket is tight.
- Use a cord to lay the mains plug to a freely accessible socket.

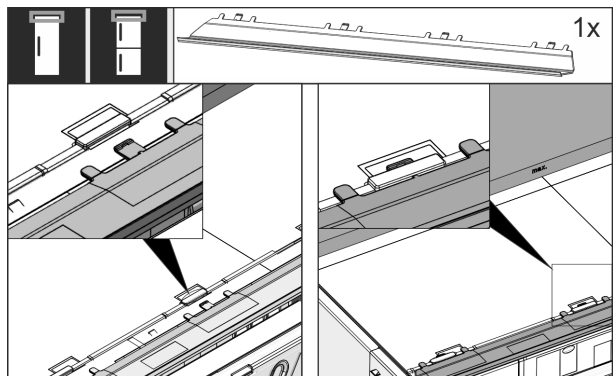


Fig. 26

- Insert the adapter panel on the top of the appliance. The panel can be moved to both sides.

# Setting up and connecting

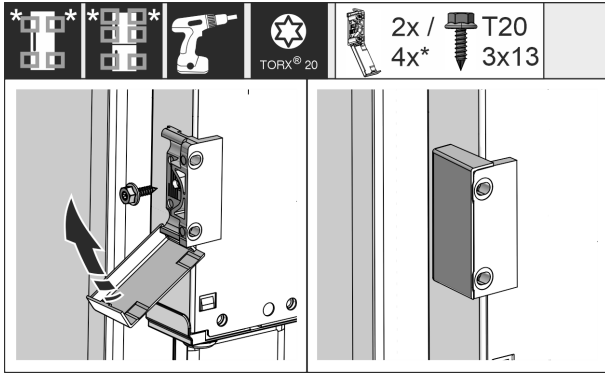


Fig. 27

- ▶ Fit the mounting bracket. Attach the mounting bracket at the height of the custom door panel handle. For a large door, use four mounting brackets.
- ▶ After assembly, fold the covers onto the bracket.



Fig. 28

- ▶ Insert the appliance 2/3 of the way into the recess.



Fig. 29

- ▶ Check whether the unit side wall is 16 mm or 19 mm thick.



Fig. 30

- ▶ 16 mm thick unit side walls: Put a spacer on all hinges.
- ▶ 19 mm thick unit side walls: You do not need a spacer.

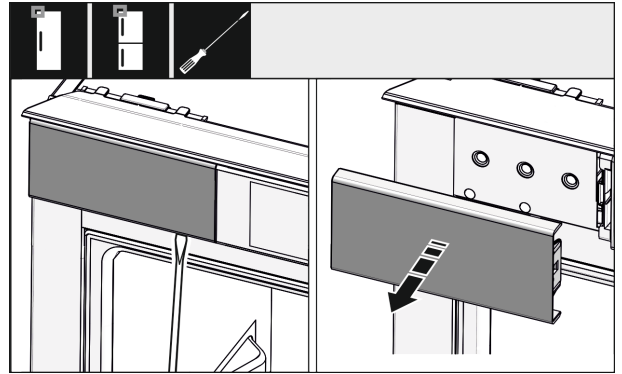


Fig. 31

- ▶ Use a screwdriver to loosen the cover at the top left and remove it.



Fig. 32

- ▶ Loosely tighten the mounting bracket screw. The bracket should still be easy to move.



Fig. 33

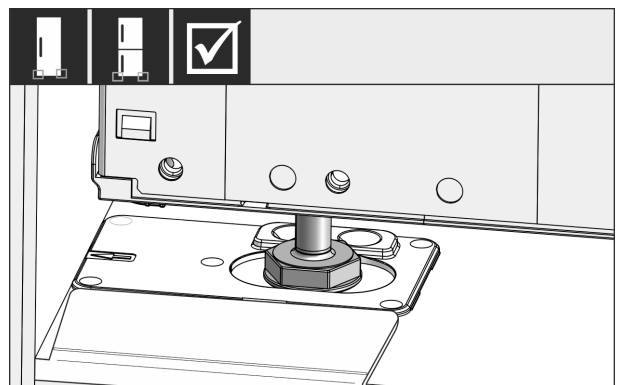


Fig. 34

## **WARNING**

Risk of fire due to short circuit!

- ▶ When you push the appliance into the niche: do not kink, jam or damage the mains cable.
- ▶ The appliance must not be operated with a defective mains cable.

- ▶ Push the appliance all the way into the unit recess. The adjustable feet must rest in the recesses in the brackets on both sides.

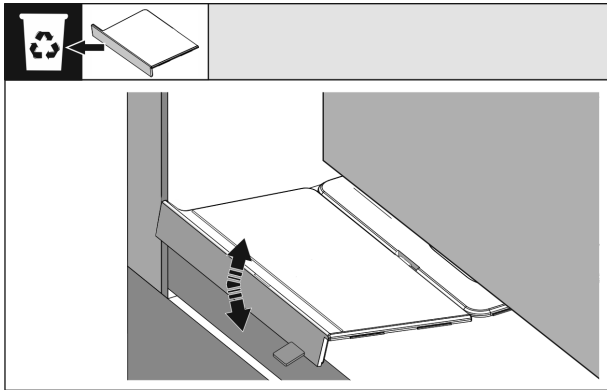


Fig. 35

- ▶ Remove the floor mounting bracket stopper. Loosen the stopper by moving it and, if necessary, pull it off using pliers.

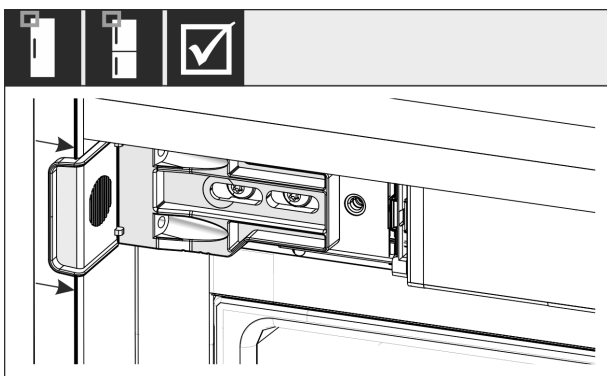


Fig. 36

- ▶ Check that the appliance is flush in the cabinet recess. The mounting bracket must be attached to the side wall of the cabinet recess.

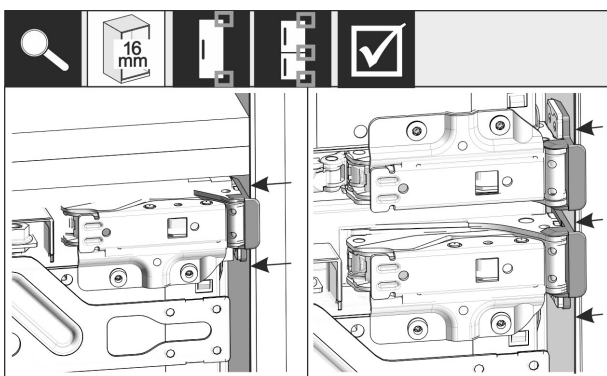


Fig. 37

**Note**  
With 16 mm unit side walls, the spacers fit against the unit recess on the hinge side.

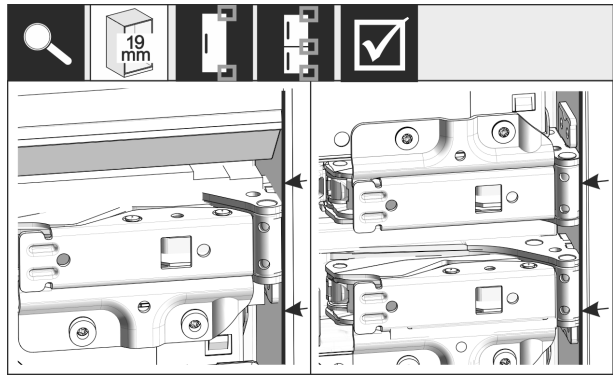


Fig. 38

- ▶ 19 mm thick unit side walls: Align the front of the hinges flush with the unit side wall.

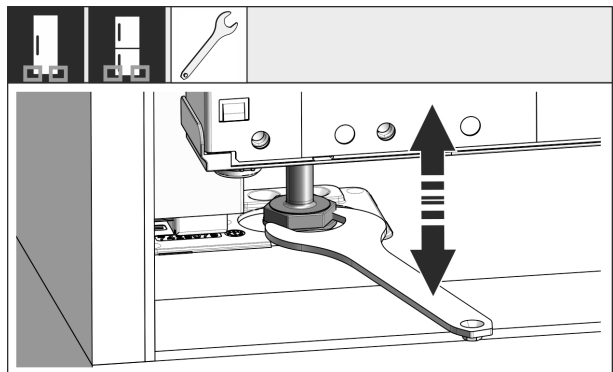


Fig. 39

- ▶ If necessary, use the adjustable feet to correct the tilt of the appliance.

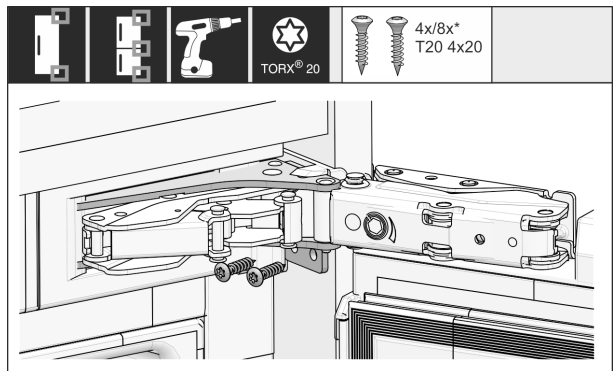


Fig. 40

- ▶ Screw on the appliance on the hinge side.

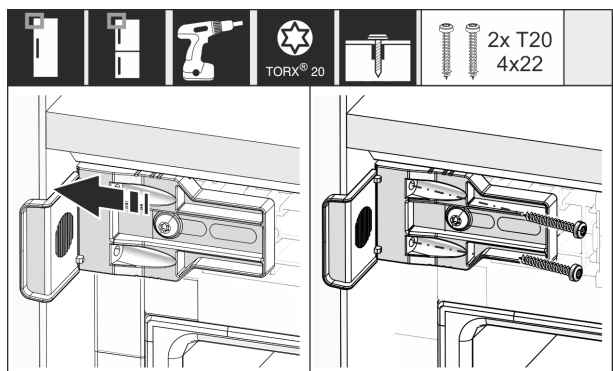


Fig. 41

- ▶ Move the bracket so it sits flush on the side wall of the cabinet recess.
- ▶ Tighten all the screws securely.

# Setting up and connecting



Fig. 42

- ▶ Remove the stop from the bracket on the handle side and dispose of it.



Fig. 43

- ▶ Put covers into position.



Fig. 44

- ▶ Slide the panel so that it sits flush with the side of the cabinet wall.



Fig. 45

- ▶ If necessary: Shorten the sealing strip as necessary with a sharp pair of scissors.
- ▶ Position the sealing strip below the top cover and press it in. The sealing strip is magnetic.

**From a niche height of 1400 mm, install levelling rails:**



Fig. 46

You must install levelling rails under the appliance from a niche height of 1400 mm. The levelling rails **reduce the noise level**. Two levelling rails and an installation handle are enclosed as standard from a niche height of 1400 mm.



Fig. 47

- ▶ Attach the installation handle Fig. 47 (1) to the levelling rail Fig. 47 (2).



Fig. 48

- ▶ Push the levelling rail into the guide under the appliance base until it reaches the stop.
- ▶ Remove the installation handle and attach it to the second levelling rail.
- ▶ Proceed in the same way for the second levelling rail.



Fig. 49

- ▶ Close the door.
- ▶ Check the preset of 8 mm from the upper edge of the appliance door to the crosspiece support.



Fig. 50

- ▶ Push the assembly aids to the unit door height. Lower stop edge of the assembly aid = upper edge of the door to be assembled.

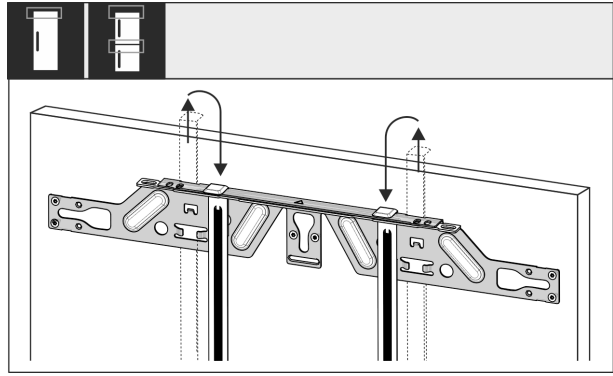


Fig. 54

- ▶ Remove the fitting aids, turn round and insert into the adjacent opening.

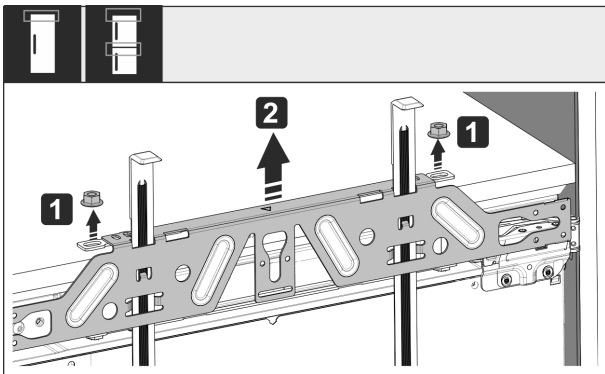


Fig. 51

- ▶ Loosen locknuts Fig. 51 (1).
- ▶ Remove crosspiece Fig. 51 (2).

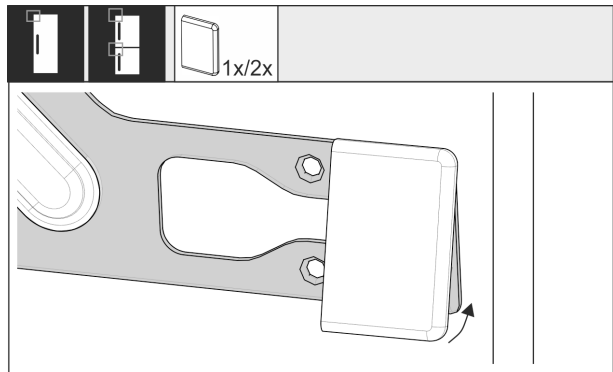


Fig. 55

- ▶ Put the cover on the crosspiece on the handle side.

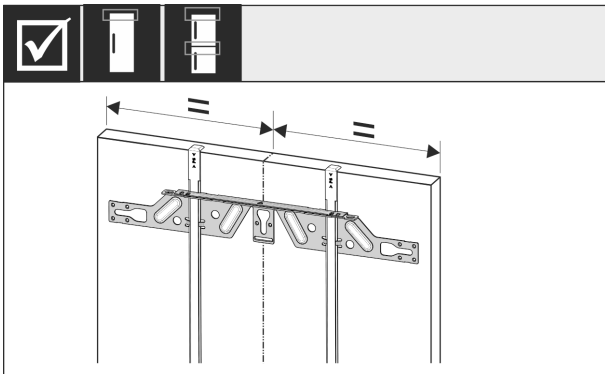


Fig. 52

- ▶ Hang the crosspiece on the inside of the unit door and make sure it is central.

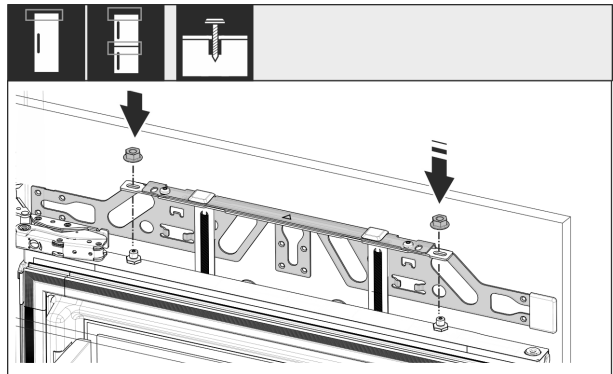


Fig. 56

- ▶ Attach the custom panel and loosely screw the lock nuts onto the adjusting bolts.

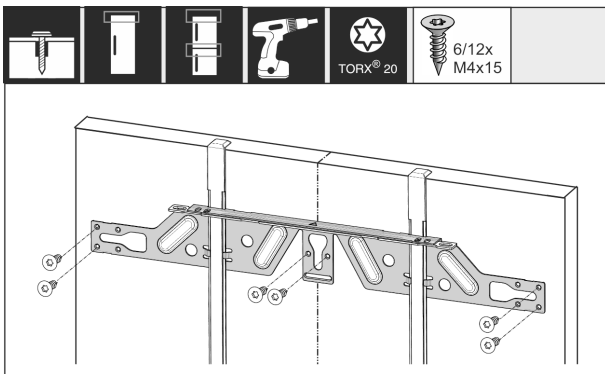


Fig. 53

- ▶ Fix the crosspiece using at least 6 screws for chipboard doors and at least 4 screws for panel doors.



Fig. 57

- ▶ Align the custom panel in the X and Y direction using the adjusting bolts.

# Setting up and connecting

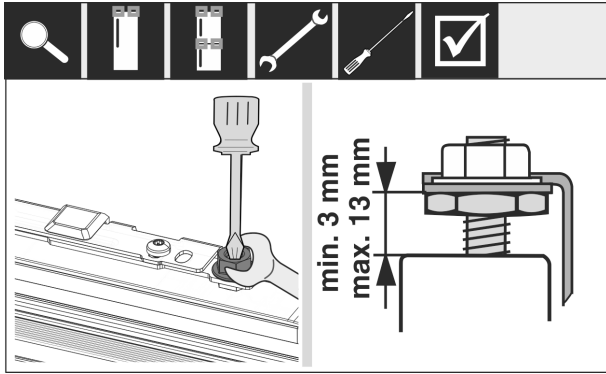


Fig. 58

- ▶ Tighten the lock nuts.
- ▶ Check the adjusted height.

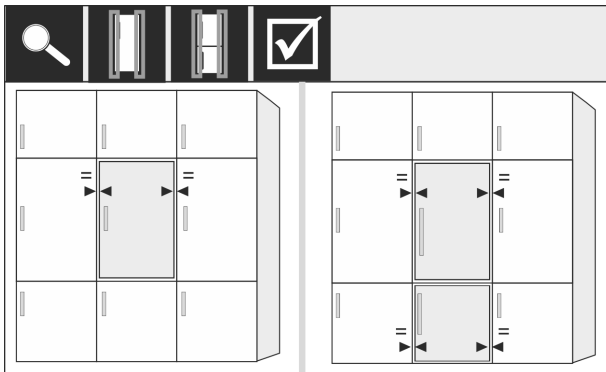


Fig. 59

For front panels thicker than 19 mm:

- ▶ Check the dimensions, weights and information in the following sections: (see 3.4 Custom panel weights) (see 3.12 Cabinet fronts)

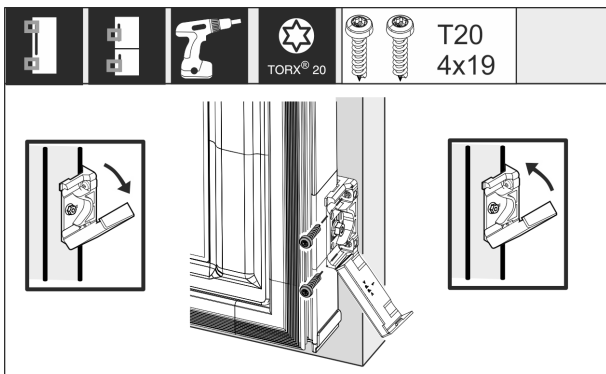


Fig. 60

Mounting the fastening bracket on the custom panel:

- ▶ Open the cover.
- ▶ Mounting the fastening bracket on the custom panel:
  - ▶ Align the front edge of the mounting bracket parallel with the custom door panel edge and screw the bracket down tightly.
- ▶ Mounting the fastening bracket on the custom panel:
  - ▶ Fold up the cover.

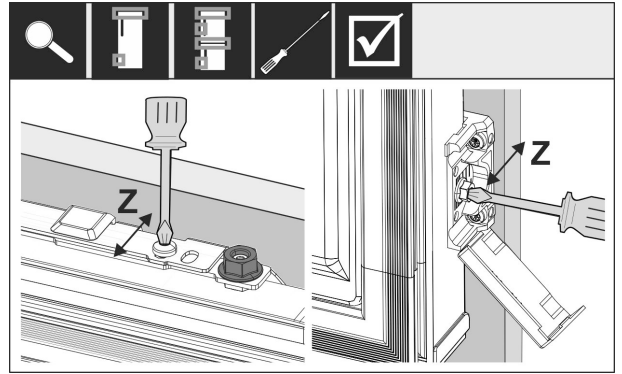


Fig. 61

Align the custom panel in the Z direction:

- ▶ Loosen the adjusting screw on the crosspiece and the screw on the mounting bracket.
- ▶ Move the door.

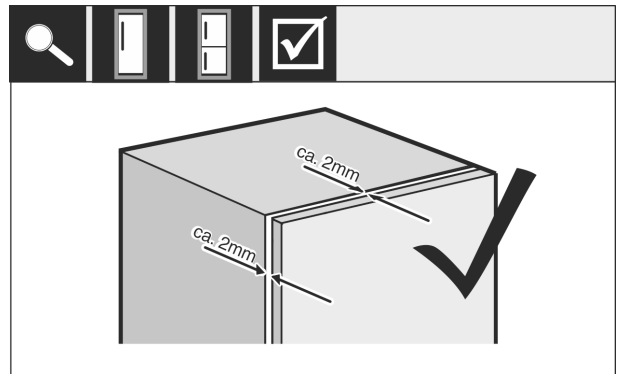


Fig. 62

- ▶ Check the gap between the custom panel and the unit body.
- ▶ Check all the screws and tighten them if necessary.

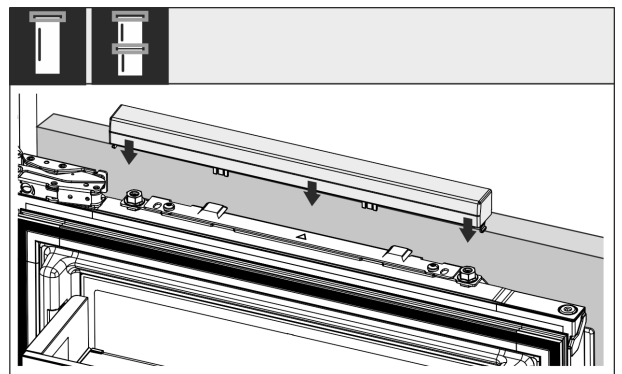


Fig. 63

- ▶ Put on the top cover.

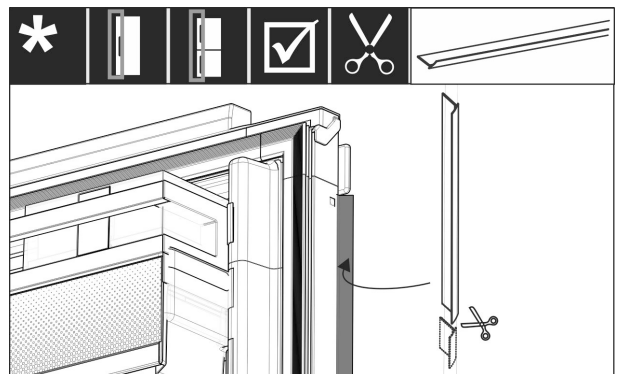


Fig. 64

- ▶ Cut the sealing strip to the required length.

- ▶ Insert the sealing strip between the front panel and the appliance door.

To make sure the appliance is correctly installed and there will not be any icing up, condensation or malfunctions, the following criteria apply:

- The door must close properly.
- The custom door panel must not touch the body of the unit.
- The seal on the upper corner on the handle side must be fitted securely.
- ▶ Check recess installation according to the criteria above.

## 3.12 Cabinet fronts

## 3.13 Dimensions

Depending on your model, you will need one or two cabinet doors. The size of the cabinet door(s) depends on the overall recess size and cabinet unit thickness.

### Note

Observe the corresponding appliance and niche dimensions, and installation sketches.

### General requirements:

- Please note our appliance-specific recommendations on size and weight for fixed door installation. (see 3.4 Custom panel weights)
- The body of the unit should be at least 16 mm thick but not more than 19 mm.
- When mounting a 2-door cabinet door, observe the recommended clearances.

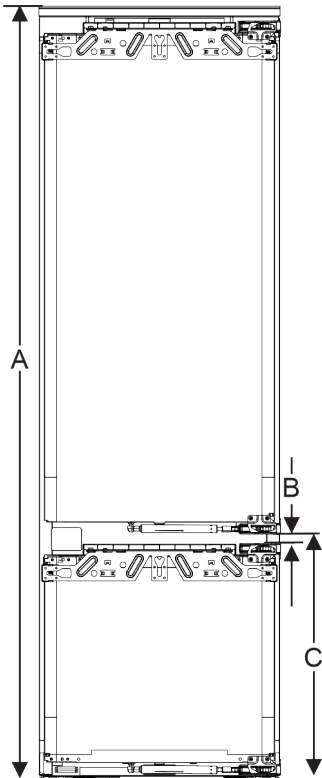


Fig. 65 Clearances for a 2-door cabinet door

### Other cabinet door above, below or next to it:

- The vertical gap between custom panels must be 4 mm.
- The horizontal gap between custom panels must be 4 mm. Check the risk of them clashing here. (see 3.15 Setting the clearance to avoid collision)

### Weight and hinges:

- With heavy furniture fronts, the stress on the hinge is very high. The hinge may be damaged. Please note the maximum weight specification for your appliance in the chapter Furniture front weights (see 3.4 Custom panel weights).
- If the cabinet front exceeds the maximum permitted weight, an appliance with door-tracking device can help by loading the weight over several concealed hinges on the cabinet.
- If you use long unit fronts that protrude far above the appliances, we recommend an additional door hinge (e.g. Kamat), which must have the same pivot point as the fixed door hinge used with your appliance. By using another hinge (Kamat), the weight is shared over several points. The use of a milled compensating fastening is recommended for high unit fronts to counteract warping (convex/concave).

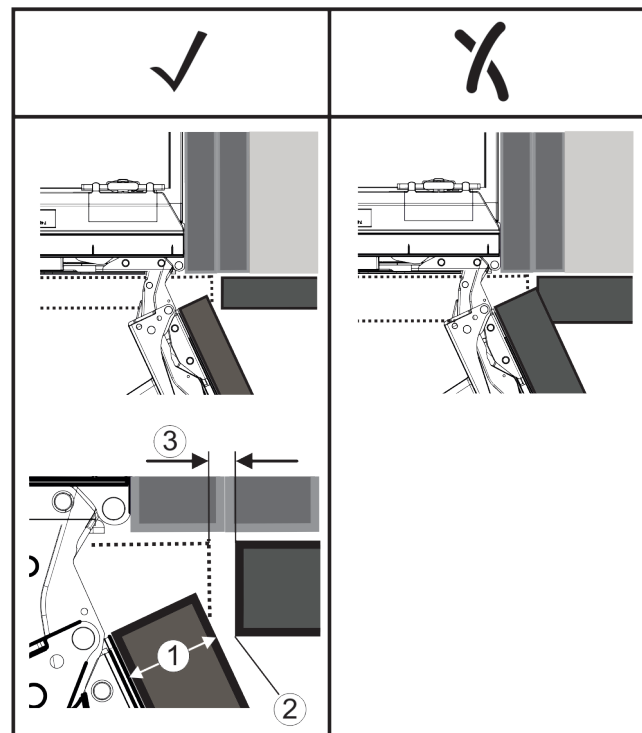
## 3.14 Mounting the cabinet front(s)

### When installing, note:

- Cabinet front must be installed symmetrically to the refrigerator door.
- Adjoining cabinet front is exactly level.
- Adjoining cabinet front has the same edge radius as the front of the appliance.
- Cabinet front is flat and tension-free.
- The front panel has a minimum depth setting of approx. 2 mm to the body.
- ▶ Install the appliance in the recess. (see 3.12 Installing the appliance in the recess)
- ▶ Fasten the front panel to the appliance door. (see 3.12 Installing the appliance in the recess)
- ▶ Check that the front panel can close unobstructed. (see 3.15 Setting the clearance to avoid collision)

## 3.15 Setting the clearance to avoid collision

After installing the cabinet front(s), check that the cabinet fronts do not collide.



# Functionality of the Touch display

Fig. 66

- (1) Front thickness (FD)      (3) Clearance (S)  
 (2) Edge radius (R)

| FD(1) (mm) | R (2) = 0 mm     |                  | R = 1,2 mm       |                  | R = 2 mm         |                  | R = 3 mm         |                  |
|------------|------------------|------------------|------------------|------------------|------------------|------------------|------------------|------------------|
|            | G <sub>min</sub> | G <sub>max</sub> | G <sub>min</sub> | G <sub>max</sub> | G <sub>min</sub> | G <sub>max</sub> | G <sub>min</sub> | G <sub>max</sub> |
| 16         | 0,3              | 0,9              | 0,1              | 0,4              | 0,1              | 0,2              | 0,1              | 0,2              |
| 19         | 0,7              | 2,4              | 0,3              | 1,9              | 0,5              | 2,3              | 0,1              | 0,8              |
| 20         | 2                | 4,3              | 1,5              | 3,6              | 1                | 3,1              | 0,6              | 2,7              |
| 22         | 3,5              | 6,3              | 3                | 5,6              | 2,6              | 5,3              | 2,1              | 4,6              |
| 24         | 5,5              | 8,3              | 5                | 7,8              | 4,5              | 7,4              | 4                | 6,9              |
| 26         | 7,6              | 10,7             | 7                | 10,3             | 6,6              | 9,9              | 6,2              | 9,4              |

Fig. 67 Table of clearance limits\*

G<sub>min</sub> = min. clearance in mm\*

G<sub>max</sub> = max. clearance in mm\*

## Note

When making adjustments, always make sure that the cabinet front suits the general appearance.

## Check the collision factors and adjust them accordingly:

- ▶ Determine the front thickness and edge radius.
- ▶ Refer to the table for the min./max. clearance dimensions.
- ▶ Check the clearance size against the table.
- ▶ Do one of the following depending on the measured clearance size.

| Clearance                     | Description   |
|-------------------------------|---|
| $S > G_{max}$                 | If the clearance size is greater than the two limits, you do not need to make any adjustments.                  |
| $S < G_{min}$                 | If the clearance size is below the limits, you must increase it. Another option is to increase the edge radius. |
| $G_{min} \leq S \leq G_{max}$ | If the clearance is between the two limits, you have to be careful. This will quickly lead to collisions.       |

## 3.16 Connecting the appliance to the power supply



### WARNING

Danger of electric shock and injury due to damaged appliance or damaged mains cable!

Danger of cuts and fatal injuries. If the appliance or the mains cable is damaged during transport, you may be electrocuted. You could also cut yourself on damaged parts of the appliance housing.

- ▶ Check the appliance and the mains cable for damage after transport.
- ▶ Never put the appliance into operation if the appliance or the mains cable are damaged.
- ▶ Contact Customer Service.

You can connect your appliance to the mains using the power cable supplied separately. The mains power cable has an appliance coupler at one end and a mains plug at the other end.

Make sure that the following requirements are fulfilled:

- The appliance and power cable are undamaged.
- The appliance is installed in accordance with the regulations. (see 3.12 Installing the appliance in the recess)
- Requirements for the electrical connection are met.
- Dimensions for connection in accordance with regulations are known and observed.

- Mains voltage and frequency correspond to the specifications on the type plate.
- The socket is earthed according to the regulations and fused.
- The fuse tripping current is between 10 A and 16 A.
- The socket is easily accessible and is not behind the appliance. (see 3.3 Recess dimensions)

## NOTICE

Danger of damage to incorrect operation!

Damage to the electrical components of the appliance.

- ▶ Only use the supplied mains cable.

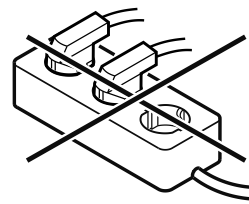


### WARNING

Danger of fire due to incorrect connection!  
Burns.

Damage to the appliance.

- ▶ Do not use an extension cable.
- ▶ Do not use distributor blocks.



## NOTICE

Danger of damage to incorrect connection!

Damage to the appliance.

- ▶ Do not connect the appliance to a stand-alone inverter, e.g. solar power systems and petrol generators.

- ▶ Connect the mains cable plug to the power supply. Ensure that the plug is tightly in the socket.
- ▶ The Liebherr logo appears in the display.
- ▶ The display switches to the standby symbol.
- ▶ If no action occurs within 60 seconds: The standby symbol fades or disappears.
- ▶ The appliance is connected. For information regarding first use, see the following section or the operating instructions.


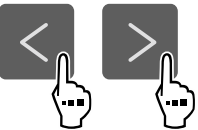



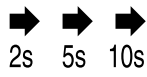
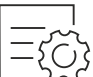

## 4 Functionality of the Touch display

You operate your appliance using the Touch display. You select appliance functions in the Touch display (hereafter referred to as display) by tapping them. If you do not perform any action on the display for 10 seconds, the display either jumps back to the higher-level menu or directly to the status display.

### 4.1 Navigation and symbol explanation

In the illustrations, different symbols are used to navigate the display. The following table describes these symbols.

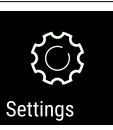
| Symbol | Description  |
|--------|--|
|        | <b>Press the Next navigation arrow:</b><br>Navigates to the next option in the menu. |

| Symbol   | Description   |
|--|---|
|    | <b>Press the Back navigation arrow:</b><br>Jumps back one option in the menu.   |
|    | <b>Press the navigation arrow several times in succession:</b><br>Navigates in the menu to the desired function.  |
|    | <b>Press the Confirm symbol:</b><br>Activates/deactivates function.<br>Opens submenu.   |
|    | <b>Press the Confirm symbol together with the back icon:</b><br>Jumps back one menu level.  |
|    | <b>Arrow with clock:</b><br>It takes more than 10 seconds for the following message to appear in the display.   |
|   | <b>Arrow with a time indication:</b><br>It takes the specified amount of time until the following message appears in the display.   |
|  | <b>“Open Settings menu” symbol:</b><br>Navigates to the Settings menu and opens the settings menu.<br>If necessary: Navigate to the desired function in the Settings menu.<br>(see 4.2.1 Opening the Settings menu) |
|  | <b>“Open Advanced menu” symbol:</b><br>Navigates to the Advanced menu and opens the advanced menu.<br>If necessary: Navigate to the desired function in the Advanced menu.<br>(see 4.2.2 Opening the Advanced menu) |
| No action for 10 seconds   | If you do not perform any action on the display for 10 seconds, the display either jumps back to the higher-level menu or directly to the status display.   |
| Close the door and open it again.  | If you close the door and immediately open it again, the display jumps directly back to the status display.   |

Note: Illustrations of the display are shown in the English version.

## 4.2 Menus

The appliance functions can be found in various menus.

| Menu  | Description  |
|---|--|
| Main menu   | When you switch the appliance on, you are automatically in the main menu.<br>From here you can navigate to the most important appliance functions, to the Settings menu and to the Advanced menu.          |
|  Settings menu | The Settings menu contains additional appliance functions for setting up your appliance.<br>(see 4.2.1 Opening the Settings menu)  |
| Advanced menu   | The advanced menu contains special appliance functions for setting up your appliance. Access to the Advanced menu is protected by the numerical code <b>151</b> .<br>(see 4.2.2 Opening the Advanced menu) |

### 4.2.1 Opening the Settings menu

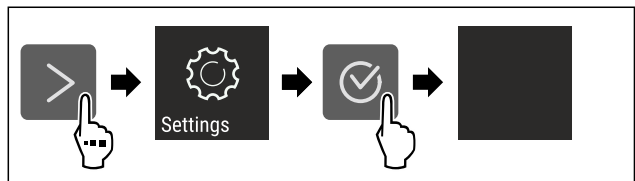


Fig. 68 Example illustration

- ▶ Carry out action steps according to the illustration.
- ▶ Settings menu is open.
- ▶ If necessary: Navigate to the desired function.

### 4.2.2 Opening the Advanced menu



Fig. 69

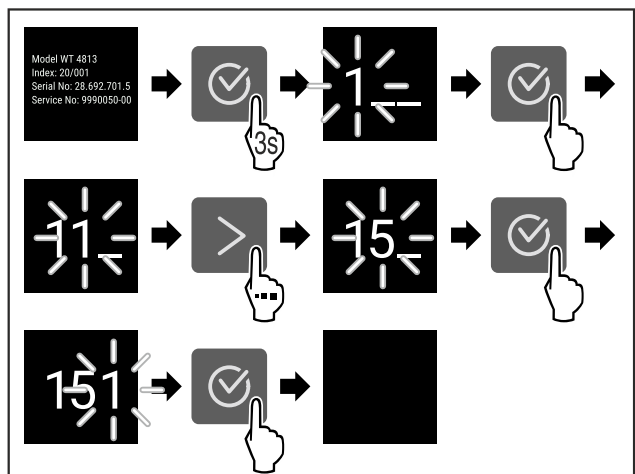


Fig. 70 Example illustration, access with numerical code **151**

- ▶ Carry out action steps according to the illustration.
- ▶ The expanded menu is open.
- ▶ If necessary: Navigate to the desired function.

# Putting into operation

## 4.3 Sleep mode

If you do not touch the display for 1 minute, the display switches to sleep mode. In sleep mode, the display brightness is dimmed.

### 4.3.1 Ending sleep mode

- ▶ Press any navigation key.
- ▶ Sleep mode is ended.

## 5 Putting into operation

### 5.1 Switching on appliance (first use)

Make sure that the following requirements are fulfilled:

- The appliance is properly installed and connected according to the installation instructions.
- All adhesive strips, adhesive and protective films and transport locks are removed from inside and on the appliance.
- All marketing leaflets are removed from the drawers.
- You are familiar with the functionality of the Touch display. (see 4 Functionality of the Touch display)

#### Switch on the appliance using the Touch display:

- ▶ If the display is in sleep mode: Press the confirmation symbol.
- ▶ Carry out action steps according to the illustration.

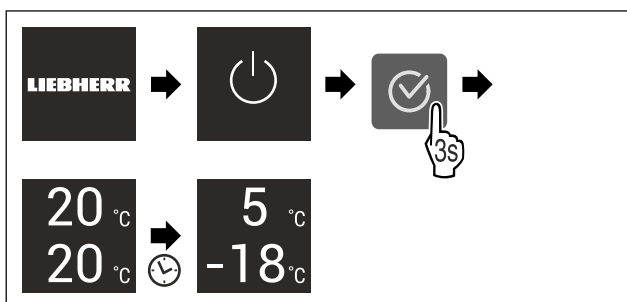


Fig. 71 Example illustration

- ▶ Status display appears.
- ▶ The appliance cools to the temperature set at the factory.
- ▶ The appliance starts in demo mode (status display with DEMO appears): If the appliance starts in demo mode, you can deactivate demo mode within the next 5 minutes. (see Demo mode)

#### More information:

- Start the SmartDevice for the first time. (see 2.3 Smart-Device) and (see WiFi)

#### Note

The manufacturer recommends:

- ▶ Stock with food: Wait for around 6 hours until the set temperature is reached.
- ▶ **Store frozen foods** at -18 °C or colder.
- ▶ Observe the notes on storing food. (see 6.1 Information regarding storage)

#### Note

Accessories can be purchased from the Liebherr-Hausgeräte store at [home.liebherr.com/shop/de/deu/zubehor.html](http://home.liebherr.com/shop/de/deu/zubehor.html).

## 6 Storage

### 6.1 Information regarding storage



#### WARNING

Fire hazard from electrical appliances!

If you use electrical appliances in the food area of your appliance, they can cause a fire.

- ▶ Do not use electrical appliances in the food area of the appliance unless recommended by the manufacturer.

#### Note

The energy consumption increases and the cooling power goes down if ventilation is not sufficient.

- ▶ Always keep air slots clear.

Observe the following specifications for storage:

- Keep the air vents on the fan free.
- In the freezer compartment: Package food properly.
- Package or cover foods that readily take on or give off odours or taste in closed containers.
- Package raw meat or fish in clean, closed containers. This will prevent meat or fish from touching or dripping onto other food.
- Keep liquids in closed containers.
- Leave space between goods to ensure good air circulation.
- Store food according to the instructions on the packaging.
- Always observe the best-before date indicated on the packaging.

#### Note

Failure to follow these guidelines can lead to foodstuffs spoiling.

### 6.2 Fridge compartment

The air circulation in the appliance creates different temperature zones. You will find the different temperature zones in the appliance and equipment overview. (see 2.2 Overview of appliances and equipment)

#### 6.2.1 Arranging your food properly

- ▶ Upper area and door: Store butter, cheese, tinned food and tubes.
- ▶ Coldest temperature zone: Store perishable foods such as pre-cooked meals.

### 6.3 BioFresh

BioFresh will extend the storage time for some fresh foods compared to traditional refrigeration.

#### Note

- If the temperature drops below 0 °C foods may freeze.
- ▶ Store cold-sensitive produce such as cucumbers, aubergines, courgettes and tropical fruit in the fridge compartment.

#### 6.3.1 Fruit & Vegetable safe

This safe creates a storage climate of close to 0 °C. The compartment lid ensures constant levels of humidity. This storage climate is suitable for storing unpackaged food with high intrinsic moisture (for example, lettuce, vegetables, fruit).

The humidity in the compartment depends on the moisture content of the chilled goods placed in it, and also depends on how often the compartment is opened. You can regulate the humidity level.

## Arranging your food properly

- ▶ Store unpackaged fruit and vegetables.  
If the humidity is too high:
- ▶ Regulate the humidity.

### 6.3.2 Meat & Dairy safe

This safe creates a storage climate of close to 0 °C. This storage climate is suitable for more sensitive foods (e.g. dairy products, meat, fish, sausage).

## Arranging your food properly

- ▶ Store dry or packaged food.

## 6.4 Freezer compartment

Here, a dry, frosty storage climate is created at -18 °C. A frosty storage climate is suitable for storing frozen food for several months, for making ice cubes or freezing fresh food.

### 6.4.1 Freezing food

#### Freezing quantity

The maximum amount of fresh food that you can freeze within 24 hours is specified on the type plate (see 11.5 Model plate) under "Freezing capacity ... kg/24h".

To ensure that food quickly freezes through, adhere to the following quantities per package:

- Fruit and vegetables up to 1 kg
- Meat up to 2.5 kg

#### Freezing food using SuperFrost

Depending on the quantity to be frozen, you can activate SuperFrost before freezing in order to achieve lower freezing temperatures. (see SuperFrost)

Appliance without NoFrost:\*

- ▶ Activate SuperFrost if the amount of food you have to freeze is more than approx. 1 kg.\*

Appliance with NoFrost:\*

- ▶ Activate SuperFrost if the amount of food you have to freeze is more than approx. 2 kg.\*

The time at which you activate SuperFrost depends on the amount of food you have to freeze:

| Freezing quantity                | Time at which you should activate SuperFrost  |
|----------------------------------|---|
| Small amount of food to freeze   | Activate SuperFrost about 6 hours before freezing.<br>As soon as the appliance automatically deactivates SuperFrost, you can rearrange the food.  |
| Maximum amount of food to freeze | Activate SuperFrost about 24 hours before freezing.<br>As soon as the appliance automatically deactivates SuperFrost, you can rearrange the food. |

## Arranging your food properly



### CAUTION

Risk of injury from broken glass!

Bottles and cans with beverages can burst during freezing. This applies in particular to carbonated beverages.

- ▶ Only freeze bottles and cans with beverages if you have activated the BottleTimer function in the SmartDevice app.

| Freezing quantity                | Arranging your food properly  |
|----------------------------------|---|
| Small amount of food to freeze   | Distribute packaged groceries throughout all drawers.<br>If possible, place groceries at the back of the drawer near the rear wall. |
| Maximum amount of food to freeze | Distribute packaged groceries throughout all drawers.<br>If possible, place groceries at the back of the drawer near the rear wall. |

### 6.4.2 Defrosting food



### WARNING

Risk of food poisoning!

- ▶ Do not re-freeze thawed food.
- ▶ Use defrosted foodstuff as soon as possible.

You can defrost food in several ways:

- In the fridge compartment
- In the microwave
- In the oven/fan-assisted oven
- At room temperature
- ▶ Take out only as much food as necessary.

## 6.5 Storage times

Refer to the specified storage times as a guide.

In the case of foods with a minimum shelf life, the date indicated on the packaging still applies.

### 6.5.1 Fridge section

Always follow the best-before date stated on the packaging.

### 6.5.2 BioFresh

| Recommended storage periods in the Meat & Dairy-Safe |         |                |
|--|---------|----------------|
| Butter   | at 1 °C | up to 90 days  |
| Hard cheese  | at 1 °C | up to 110 days |
| Milk   | at 1 °C | up to 12 days  |
| Sausage, cold meats                                  | at 1 °C | up to 8 days   |
| Poultry  | at 1 °C | up to 6 days   |
| Pork   | at 1 °C | up to 6 days   |
| Beef   | at 1 °C | up to 6 days   |
| Game   | at 1 °C | up to 6 days   |

#### Note

- ▶ Remember that high-protein foods perish quicker; shellfish and crustaceans do not last as long as fish, and fish does not last as long as meat.

# Saving energy

| Recommended storage periods in the Fruit & Vegetable-Safe |         |                |
|---|---------|----------------|
| <b>Vegetables, salads</b>                                 |         |                |
| Artichokes  | at 1 °C | up to 14 days  |
| Celery  | at 1 °C | up to 28 days  |
| Cauliflower   | at 1 °C | up to 21 days  |
| Broccoli  | at 1 °C | up to 13 days  |
| Chicory   | at 1 °C | up to 27 days  |
| Lettuce   | at 1 °C | up to 19 days  |
| Peas  | at 1 °C | up to 14 days  |
| Kale  | at 1 °C | up to 14 days  |
| Carrots   | at 1 °C | up to 80 days  |
| Garlic  | at 1 °C | up to 160 days |
| Turnip  | at 1 °C | up to 14 days  |
| Lettuce   | at 1 °C | up to 13 days  |
| Herbs   | at 1 °C | up to 13 days  |
| Leeks   | at 1 °C | up to 29 days  |
| Mushrooms   | at 1 °C | up to 7 days   |
| Radishes  | at 1 °C | up to 10 days  |
| Brussels sprouts  | at 1 °C | up to 20 days  |
| Asparagus   | at 1 °C | up to 18 days  |
| Spinach   | at 1 °C | up to 13 days  |
| Savoy   | at 1 °C | up to 20 days  |
| <b>Fruit</b>  |         |                |
| Apricots  | at 1 °C | up to 13 days  |
| Apples  | at 1 °C | up to 80 days  |
| Pears   | at 1 °C | up to 55 days  |
| Blackberries  | at 1 °C | up to 3 days   |
| Dates   | at 1 °C | up to 180 days |
| Strawberries  | at 1 °C | up to 7 days   |
| Figs  | at 1 °C | up to 7 days   |
| Blueberries   | at 1 °C | up to 9 days   |
| Raspberries   | at 1 °C | up to 3 days   |
| Currants  | at 1 °C | up to 7 days   |
| Sweet cherries  | at 1 °C | up to 14 days  |
| Kiwis   | at 1 °C | up to 80 days  |
| Peaches   | at 1 °C | up to 13 days  |
| Plums   | at 1 °C | up to 20 days  |
| Cranberries   | at 1 °C | up to 60 days  |
| Rhubarb   | at 1 °C | up to 13 days  |
| Gooseberries  | at 1 °C | up to 13 days  |
| Grapes  | at 1 °C | up to 29 days  |

## 6.5.3 Freezer compartment

| Recommended storage period for various types of food |           |               |
|--|-----------|---------------|
| Ice cream  | at -18 °C | 2 to 6 months |

| Recommended storage period for various types of food |           |                |
|--|-----------|----------------|
| Sausages, ham  | at -18 °C | 2 to 3 months  |
| Bread, baked goods                                   | at -18 °C | 2 to 6 months  |
| Game, pork   | at -18 °C | 6 to 9 months  |
| Fatty fish   | at -18 °C | 2 to 6 months  |
| Lean fish  | at -18 °C | 6 to 8 months  |
| Cheese   | at -18 °C | 2 to 6 months  |
| Poultry, beef  | at -18 °C | 6 to 12 months |
| Vegetables, fruit                                    | at -18 °C | 6 to 12 months |

## 7 Saving energy

- Pay attention to good ventilation. Do not cover ventilation holes or grids.
- Always keep the fan air slits clear.
- Do not install the appliance in direct sunlight or near radiators or similar sources of heat.
- If the appliance is installed directly next to an oven, the energy consumption may increase slightly. This is dependent on the service life and usage intensity of the oven.
- Energy consumption depends on the installation conditions, e.g. the ambient temperature. A warmer ambient temperature can increase the energy consumption.
- Open the appliance for as short a time as possible.
- The lower the temperature is set the higher the energy consumption.
- Sort your food: [home.liebherr.com/food](http://home.liebherr.com/food).
- Keep all food properly packed and covered. This prevents frost from forming.
- Only take food out for as long as necessary so that it doesn't warm up too much.
- Inserting warm food: allow to cool down to room temperature first.
- Thaw frozen food in the refrigerator.
- If there is a thick layer of frost in the appliance: defrost the appliance.\*
- For longer periods of absence, use HolidayMode (see HolidayMode).

## 8 Controls

### 8.1 Controls and displays

#### 8.1.1 Status display

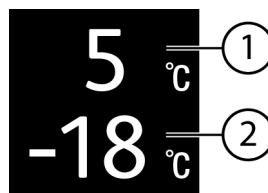






Fig. 72

- (1) Temperature display of the fridge section      (2) Freezer compartment temperature display

The Status display shows the set temperature and is the home display. From there, you can navigate to the options and settings.

## 8.1.2 Display symbols

Display symbols provide information on the current appliance status:

| Symbol   | Appliance status  |
|--|---|
|  | <b>Standby</b><br>The appliance or temperature zone is switched off.                                |
|  | <b>Flashing number</b><br>Appliance is working. Temperature flashes until the set value is reached. |
|  | <b>Flashing symbol</b><br>Appliance is working. Setting is made.                                    |
|  | <b>Bar grows steadily</b><br>Function is activated.   |

## 8.2 Appliance functions

### 8.2.1 Notes on the appliance functions

The appliance functions are set at the factory so that your appliance is fully functional.

Before you alter, activate or deactivate the device functions, make sure that the following requirements are met:

- You have read and understood the descriptions of how the display works. (see 4 Functionality of the Touch display)
- You have familiarised yourself with the operating and display elements of your appliance.

### Switching the appliance off and on

Use this function to switch the entire appliance off and on.

#### Switching off the appliance

When you switch the appliance off, then the previously saved settings are saved.

Make sure that the following requirements are fulfilled:

- Handling instructions (see 12 Shutting down) are carried out.



Fig. 73

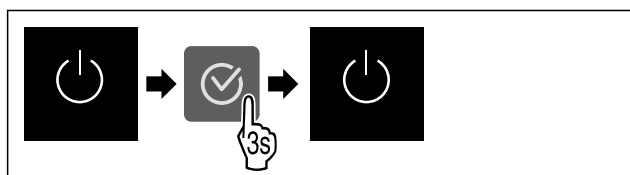


Fig. 74

- ▶ Carry out action steps according to the illustration.
- ▶ Appliance is switched off.
- ▶ The standby symbol appears in the display.
- ▶ Display turns black.

#### Switching on the appliance

If the display is in sleep mode:

- ▶ Press any navigation key.

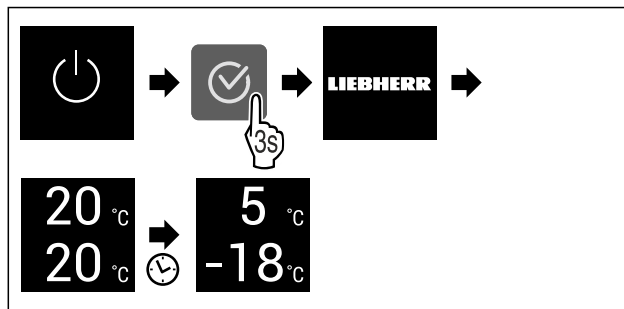


Fig. 75 Example illustration

- ▶ Carry out action steps according to the illustration. When the appliance starts in demo mode:
- ▶ Deactivating demo mode. (see Deactivating demo mode)
- ▶ The appliance is switched on.
- ▶ Previous settings are restored.
- ▶ The appliance cools to the target temperature set.

### -18°C Switching temperature zone off and on

You can switch temperature zones of the appliance off independently.

Application:

- Cleaning
- Defrosting

#### Switching the fridge compartment off

Make sure that the following requirements are fulfilled:

- Refrigerator compartment has been emptied.

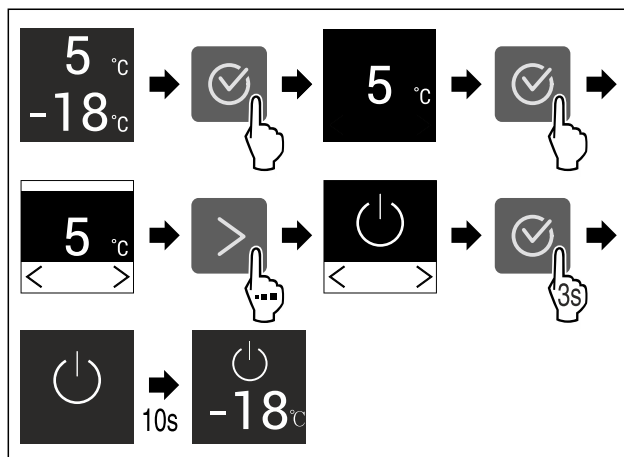


Fig. 76 Example illustration

- ▶ Carry out action steps according to the illustration.
- ▶ Refrigerator compartment is switched off.

#### Switching the fridge compartment on

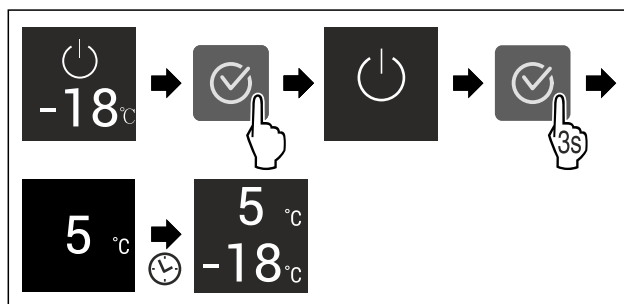


Fig. 77 Example illustration

- ▶ Carry out action steps according to the illustration.
- ▶ Refrigerator compartment is switched on.
- ▶ The appliance cools to the last set temperature.

# Controls

## 5 °C Temperature

Use this function to set the temperature.

The temperature depends on the following factors:

- Frequency of door opening
- Duration of door opening
- Room temperature of the installation site
- Type, temperature and quantity of food

| Temperature zone       | Factory-set temperature | Recommended setting             |
|------------------------|-------------------------|---------------------------------|
| 5 °C Fridge section    | 5 °C                    | 4 °C                            |
| -18 °C Freezer section | -18 °C                  | -18 °C                          |
| 0 °C BioFresh          | 0 °C                    | B-Value (see BioFresh B-Value ) |

### Setting the temperature in the fridge section

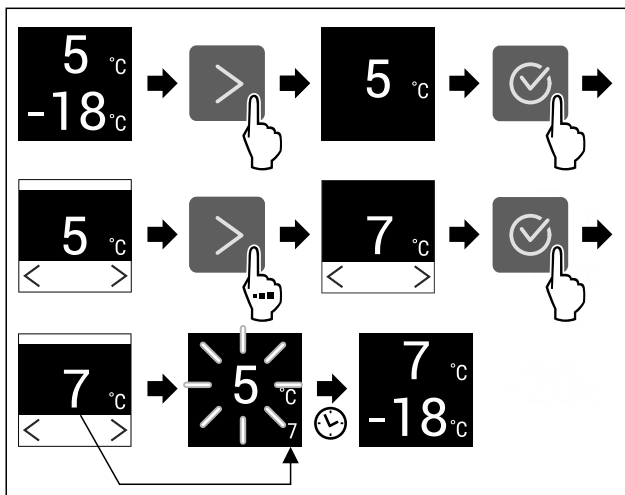


Fig. 78 Example illustration

- ▶ Carry out action steps according to the illustration.
- ▶ Temperature is set.

### Setting the temperature in the freezer section

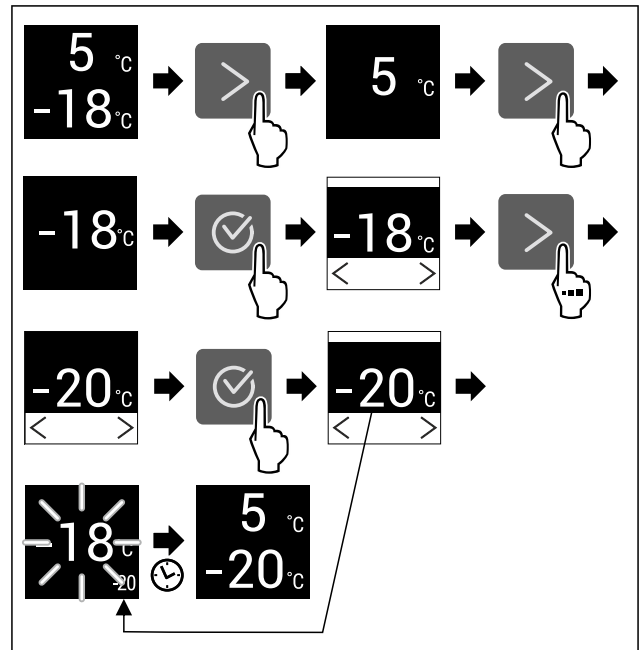


Fig. 79 Example illustration

- ▶ Carry out action steps according to the illustration.
- ▶ Temperature is set.

### Setting the temperature in BioFresh

Set the temperature using the **BioFresh B-Value**. (see BioFresh B-Value )

## B5 BioFresh B-Value

Use this function to set the BioFresh B-Value. With the BioFresh B-Value, you can set BioFresh slightly warmer or colder if necessary due to higher or lower ambient temperatures. The BioFresh B-Value is pre-set to value B5 as delivered. If you change the B-Value, refer to the following table:

| Value | Description   |
|-------|---|
| B1    | Lowest temperature  |
| B1-B4 | The temperature can drop below 0 °C which means foods can easily freeze.* |
| B5    | Pre-set temperature   |
| B9    | Highest temperature   |

### Setting the BioFresh B-Value



Fig. 80

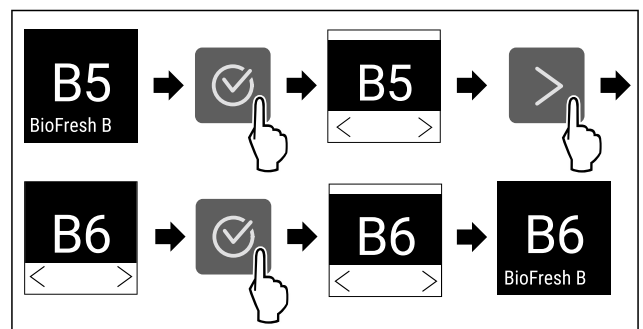


Fig. 81 Example illustration: Switch from B5 to B6.

- ▶ Carry out action steps according to the illustration.
- ▶ The BioFresh B-Value is set.

## D1 D-Value

The D-Value is pre-set for your appliance and is not permitted to be changed.

## SuperCool

You can use this function to activate or deactivate SuperCool. If SuperCool is activated, then the appliance increases the cooling capacity. It allows you to achieve lower cooling temperatures. You can activate SuperCool when you would like to cool a large quantity of food quickly.

If the function is active, the appliance operates at higher power. As a result, the appliance's operating noise may be temporarily louder and energy consumption will increase.

### Activating SuperCool

Time for activation of the function:

- When you would like to store fresh food in the fridge section: Activate the function when inserting food.



Fig. 82

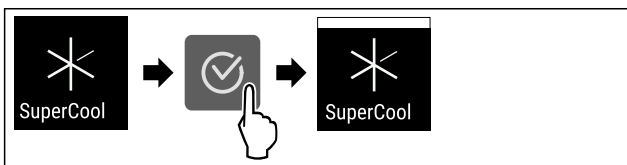


Fig. 83

- ▶ Carry out action steps according to the illustration.

-or-

- ▶ Activate with the SmartDevice app.\*

- ▶ SuperCool is activated.

### Deactivating SuperCool

SuperCool is deactivated automatically after 18 hours. However, you can also deactivate SuperCool manually at any time:

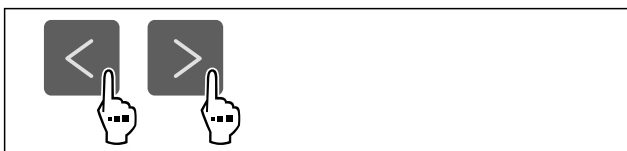


Fig. 84

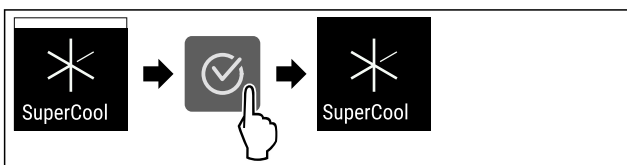


Fig. 85

- ▶ Carry out action steps according to the illustration.

-or-

- ▶ Deactivate with the SmartDevice app.\*

- ▶ SuperCool is deactivated.

- ▶ The appliance continues to run in normal mode.

- ▶ The appliance cools to the temperature set previously.

## SuperFrost

You can use this function to activate or deactivate SuperFrost. If SuperFrost is activated, then the appliance increases the freezing capacity. It allows you to achieve lower freezing temperatures.

Application:

- Quickly freeze fresh food through to the core. This ensures that the nutrition, appearance and taste of frozen food is maintained.
- Increase the cold reserve in stored frozen food before defrosting the appliance.

If the function is active, the appliance operates at higher power. As a result, the appliance's operating noise may be temporarily louder and energy consumption will increase.

If the door is open for too long, e.g. because you are putting food in, the appliance automatically checks whether the actual temperature in the appliance matches the set temperature. If the difference exceeds a certain value, the appliance automatically cools more vigorously. As a result, the temperature shown on the display may be higher than the actual temperature in the appliance. This is normal and your appliance is working correctly.\*

### Activating SuperFrost

Make sure that the following requirements are fulfilled:

- Freezing quantity and time for activation of SuperFrost are taken into account. (see Freezing food using SuperFrost)

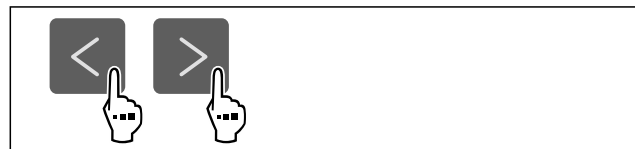


Fig. 86

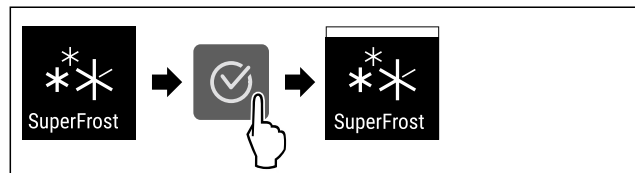


Fig. 87

- ▶ Carry out action steps according to the illustration.

-or-

- ▶ Activate with the SmartDevice app.\*

- ▶ SuperFrost is activated.

### Deactivating SuperFrost

SuperFrost is automatically deactivated after 56 to 72 hours depending on the quantity of the food inserted. However, you can also deactivate SuperFrost manually at any time:

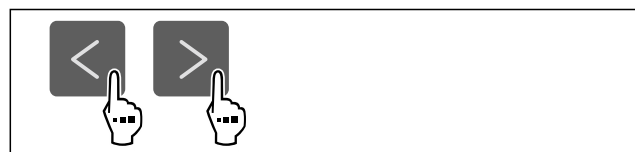


Fig. 88

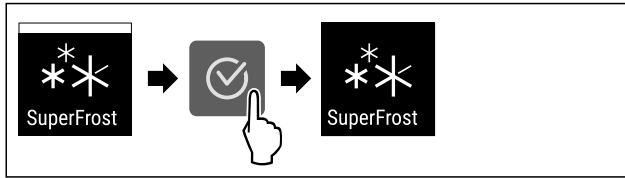


Fig. 89

- ▶ Carry out action steps according to the illustration.
- or-
- ▶ Deactivate with the SmartDevice app.\*
- ▶ SuperFrost is deactivated.
- ▶ The appliance continues to run in normal mode.
- ▶ The appliance cools to the temperature set previously.



## PartyMode

You can use this function to activate or deactivate PartyMode. PartyMode activates various functions that are useful for a party.

PartyMode activates the following functions:

- SuperCool (see SuperCool)
- SuperFrost (see SuperFrost)

You can adjust all listed functions individually and flexibly. When you deactivate PartyMode, all changes are discarded.

If the function is active, the device operates at higher power. As a result, the device's operating noise may be temporarily louder and energy consumption will increase.

### Activating PartyMode

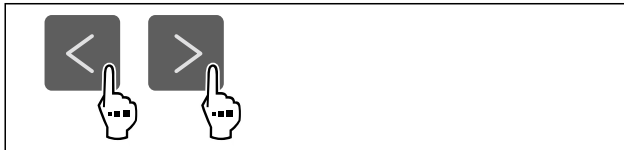


Fig. 90

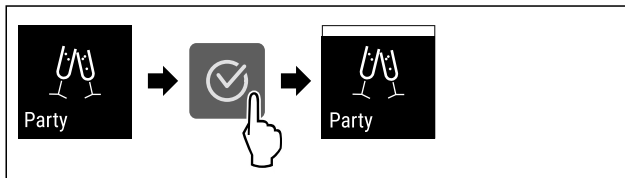


Fig. 91

- ▶ Carry out action steps according to the illustration.
- ▶ PartyMode and the associated functions are activated.
- ▶ The current temperature flashes until the target temperature is reached.

### Deactivating PartyMode

The PartyMode is automatically deactivated after 24 seconds. However, you can also deactivate PartyMode manually at any time:

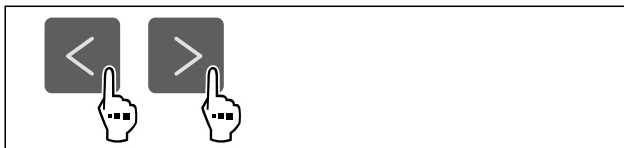


Fig. 92

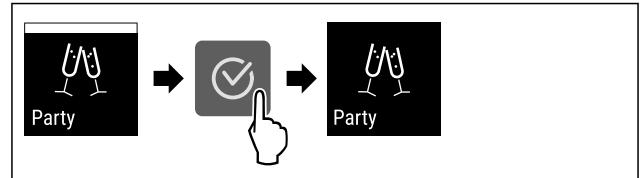


Fig. 93

- ▶ Carry out action steps according to the illustration.
- ▶ PartyMode is deactivated.
- ▶ The appliance cools to the temperature set previously: The current temperature flashes until the target temperature is reached.



## HolidayMode

You can use this function to activate or deactivate HolidayMode. If you activate HolidayMode, the fridge section is set to 15 °C. This saves you energy during longer periods of absence and prevents bad odours and growth of mould.

| Appliance status when HolidayMode is active               |
|---|
| Fridge section cools to 15 °C.                            |
| BioFresh cools to 15 °C.                                  |
| The set temperature is maintained in the freezer section. |
| PartyMode is deactivated.                                 |
| SuperCool is deactivated.                                 |

### Activating HolidayMode

- ▶ Empty the fridge section completely.
- ▶ Empty BioFresh completely.

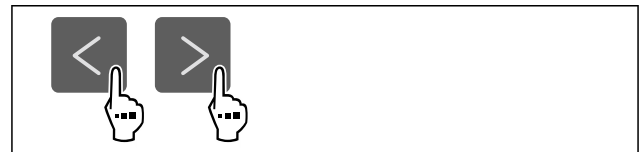


Fig. 94

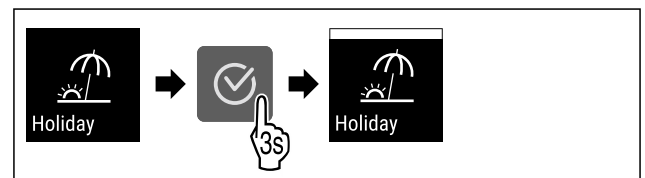


Fig. 95

- ▶ Carry out action steps according to the illustration.
- ▶ HolidayMode is activated.
- ▶ Temperature display shows HolidayMode symbol.

### Deactivating HolidayMode

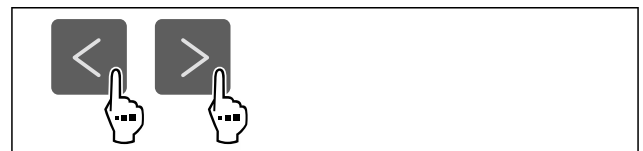


Fig. 96

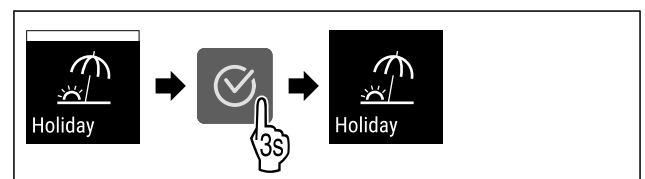


Fig. 97

- ▶ Carry out action steps according to the illustration.
- ▶ HolidayMode is deactivated.
- ▶ The appliance cools to the temperature set previously.

## SabbathMode

You can use this function to activate or deactivate SabbathMode. If you activate this function, some electronic functions are switched off. As a result, your device meets the religious requirements for Jewish holidays such as Sabbath and complies with STAR-K Kosher certification.

|   |
|---|
| Device status when SabbathMode is active  |
| The status display shows SabbathMode permanently.   |
| All functions on the display are locked except for the <b>Deactivate SabbathMode function</b> .           |
| Active functions remain active.   |
| The display remains bright when you close the door.   |
| The interior lighting is deactivated.   |
| Reminders are not implemented. The set time interval stops.   |
| Reminders and warnings are not displayed.   |
| There is no door alarm.   |
| There is no temperature alarm.  |
| The defrosting cycle operates only for the specified time, without considering the appliance consumption. |
| After a power failure, the appliance returns to SabbathMode.  |

*Device status*

### Note

This appliance has certification from the "Institute for Science and Halacha". ([www.machonhalacha.co.il](http://www.machonhalacha.co.il))

You can find a list of STAR-K-certified appliances at [www.star-k.org/appliances](http://www.star-k.org/appliances).

### Activating SabbathMode



#### WARNING

Danger of food poisoning from spoiled food!  
If you have SabbathMode activated and a power failure occurs, no message appears in the status display about the power failure. Once the power is restored, the appliance continues to operate in SabbathMode. The power failure may mean that food spoils and the consumption of this food could lead to food poisoning.

After a power failure:

- ▶ Do not consume food that was frozen and has thawed out.



Fig. 98

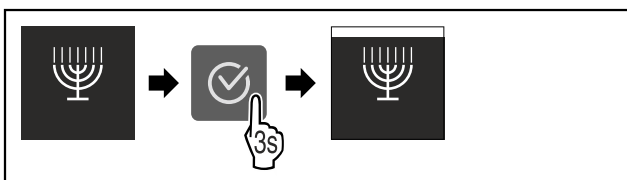


Fig. 99

- ▶ Carry out action steps according to the illustration.
- ▶ SabbathMode is activated.
- ▶ The status display shows SabbathMode permanently.

### Deactivating SabbathMode

The SabbathMode is automatically deactivated after 80 hours. However, you can also deactivate SabbathMode manually at any time:

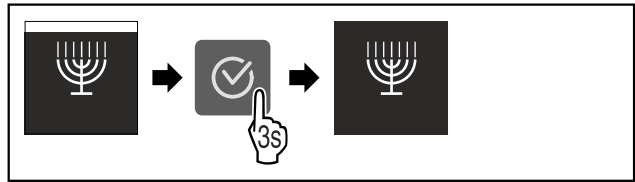


Fig. 100

- ▶ Carry out action steps according to the illustration.
- ▶ SabbathMode is deactivated.



### E-Saver

You can use this function to activate or deactivate Energy saving mode. If energy saving mode is activated, the energy consumption decreases and the temperature in the device increases. The food remains fresh, but the shelf life is shortened.

| Temperature zone       | Recommended setting (see Setting the temperature in the fridge section) | Temperature with active E-Saver |
|------------------------|---|---------------------------------|
| 5 °C Fridge section    | 4 °C  | 7 °C                            |
| -18 °C Freezer section | -18 °C  | -16 °C                          |

*Temperatures*

### Activating E-Saver

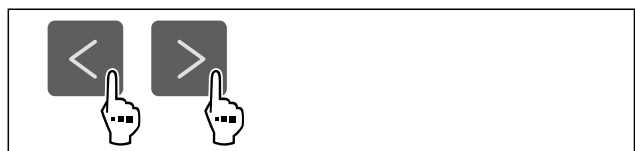


Fig. 101

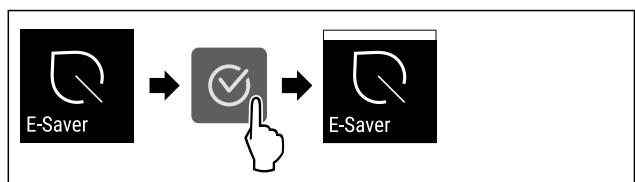


Fig. 102

- ▶ Carry out action steps according to the illustration.
- ▶ Energy saving mode is activated.

### Deactivating E-Saver

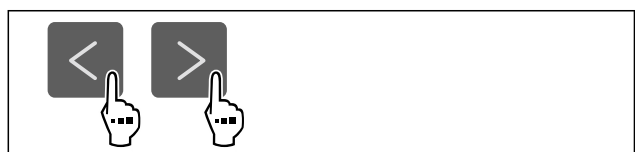


Fig. 103

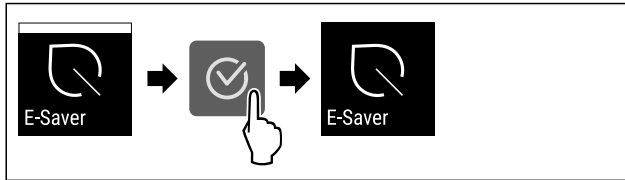


Fig. 104

- ▶ Carry out action steps according to the illustration.
- ▶ Energy saving mode is deactivated.



## CleaningMode

You can use this function to activate or deactivate CleaningMode. CleaningMode enables the appliance to be cleaned conveniently.

This setting applies to the fridge section.

Application:

- Clean the fridge section. (see 10.7 Cleaning the appliance)

|  |
|--|
| Device status when CleaningMode is active                            |
| The status display shows CleaningMode permanently.                   |
| The fridge section is switched off.                                  |
| Interior lighting is activated.                                      |
| The reminders and warnings are not displayed. No signal tone sounds. |

Device status

### Activating CleaningMode



Fig. 105

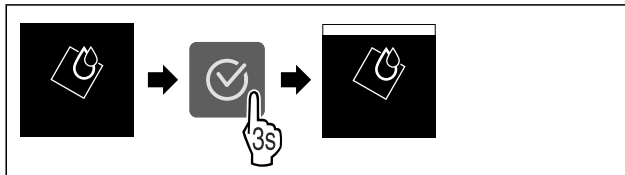


Fig. 106

- ▶ Carry out action steps according to the illustration.
- ▶ CleaningMode is activated.
- ▶ The status display shows CleaningMode permanently.

### Deactivating CleaningMode

CleaningMode is deactivated automatically after 60 minutes. However, you can also deactivate CleaningMode manually at any time:

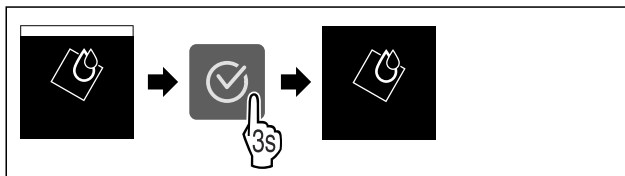


Fig. 107

- ▶ Carry out action steps according to the illustration.
- ▶ CleaningMode is deactivated.
- ▶ The appliance cools to the temperature set previously.



## Input lock

You can use this function to activate or deactivate the input lock. The input lock prevents the appliance being operated accidentally, e.g. by children.

Application:

- Avoid unintentional modification of functions.
- Avoid unintentional switching off of the device.
- Avoid unintentional temperature setting.

### Activating the input lock

If you activate the input lock, you can continue to navigate in the menus but you cannot select or change other functions.



Fig. 108

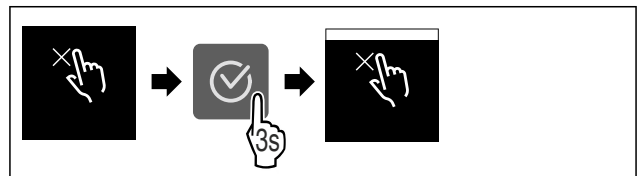


Fig. 109

- ▶ Carry out action steps according to the illustration.
- ▶ Input lock is activated.

### Deactivating the input lock



Fig. 110

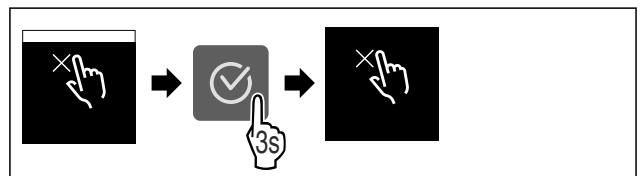


Fig. 111

- ▶ Carry out action steps according to the illustration.
- ▶ Input lock is deactivated.



## Reminder

Use this function to activate or deactivate the reminders. The function is activated on delivery.

If the function is activated, the following reminders will appear:

- Replace the FreshAir activated carbon filter (see Replace the FreshAir activated carbon filter)

### Activating the reminder



Fig. 112

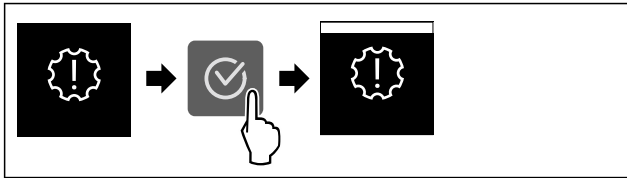


Fig. 113

- ▶ Carry out action steps according to the illustration.
- ▷ Reminder is activated.

### Deactivating the reminder

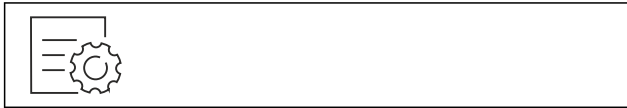


Fig. 114

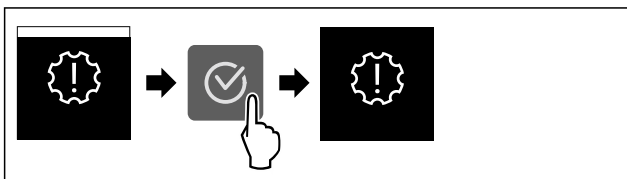


Fig. 115

- ▶ Carry out action steps according to the illustration.
- ▷ Reminder is deactivated.

## °C/°F Temperature unit

Use this function to set the temperature unit. You can set degrees Celsius or degrees Fahrenheit as the temperature unit.

### Setting the temperature unit



Fig. 116

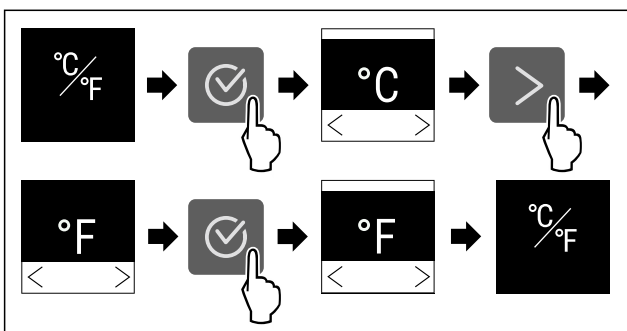


Fig. 117 Example illustration: Switch from degrees Celsius to degrees Fahrenheit.

- ▶ Carry out action steps according to the illustration.
- ▷ The temperature unit is set.

## ☀ Display brightness

Use this function to set the display brightness in stages.

You can select the following brightness levels:

- 40 %
- 60 %
- 80 %
- 100 % (pre-setting)

### Setting the brightness



Fig. 118

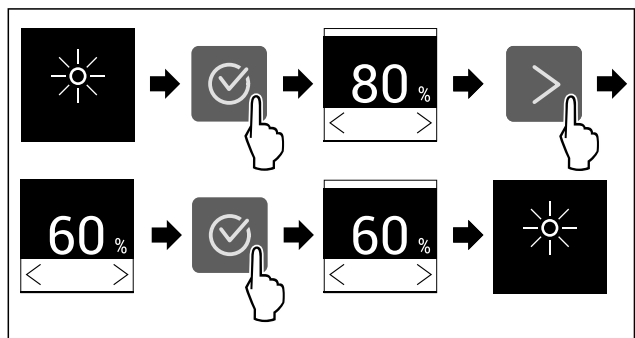


Fig. 119 Example illustration: Switch from 80 % to 60 %.

- ▶ Carry out action steps according to the illustration.
- ▷ The brightness is set.

## WiFi

Use this function to connect your appliance to WiFi. You can then operate it via the SmartDevice app on a mobile device. You can also use this function to disconnect or reset the WiFi connection.

To connect your device to WiFi, you need the SmartDeviceBox.\*

More information on the SmartDevice: (see 2.3 SmartDevice)

### Note

The SmartDevice function is not available in the following countries: Russia, Belarus, Kazakhstan.

You cannot use the SmartDeviceBox.\*

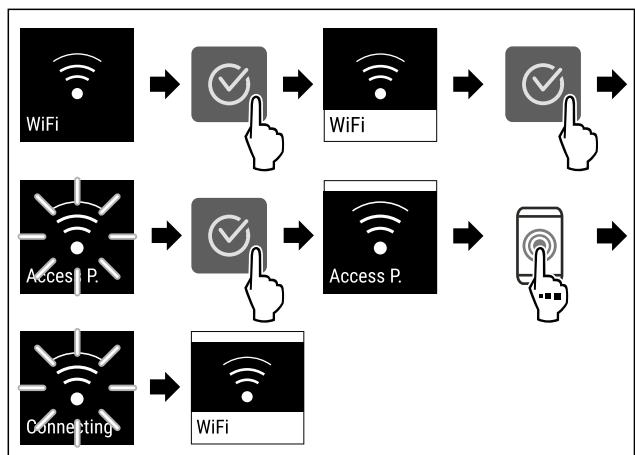
### Establishing the WiFi connection for the first time

Make sure that the following requirements are fulfilled:

- You have purchased and inserted a SmartDeviceBox. (see 2.3 SmartDevice) \*
- You have installed the SmartDevice app (see [apps.home.liebherr.com](https://apps.home.liebherr.com)).
- Registration in the SmartDevice app is completed.



Fig. 120



# Controls

Fig. 121

- ▶ Carry out action steps according to the illustration.
- ▷ Connection is established.

## Disconnecting from the WiFi

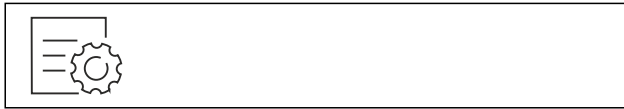


Fig. 122

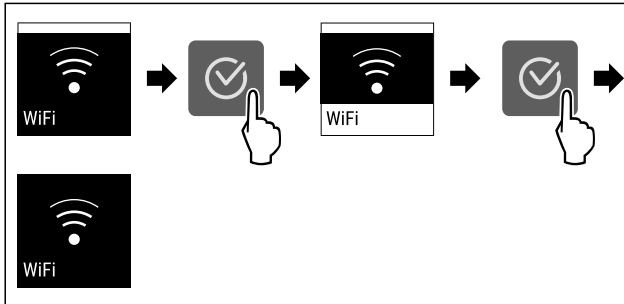


Fig. 123

- ▶ Carry out action steps according to the illustration.
- ▷ There is no connection.

## Resetting the WiFi connection



Fig. 124

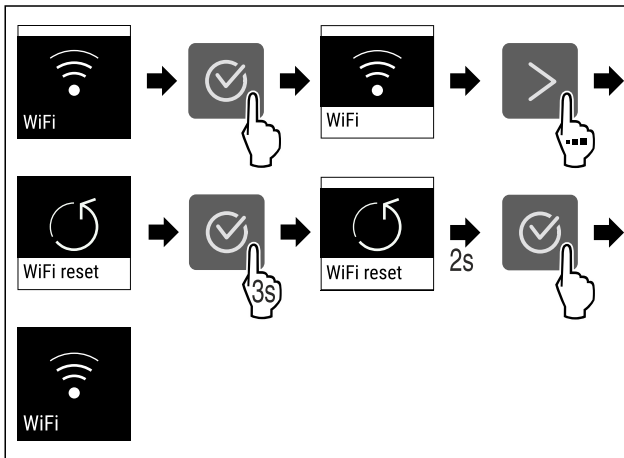


Fig. 125

- ▶ Carry out action steps according to the illustration.
- ▷ WiFi connection and other WiFi settings are reset to factory settings.

## Showing information about the WiFi connection



Fig. 126

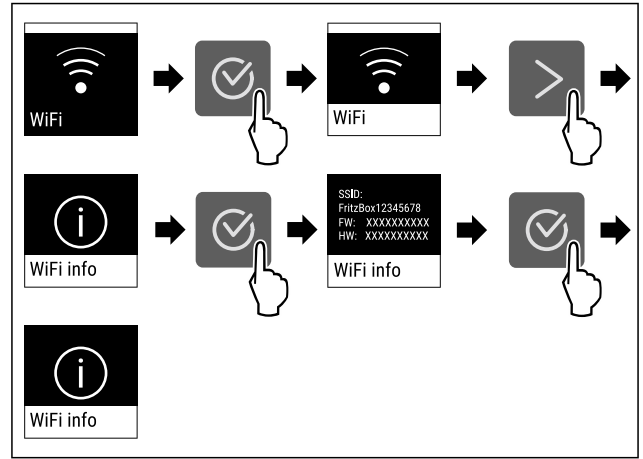


Fig. 127

- ▶ Carry out action steps according to the illustration.



## Device information

Use this function to indicate the model name, index, serial number and service number of your device. You will need the device information when you contact customer service. (see 11.4 Customer Service)

This function also opens the Advanced menu. (see 4 Functionality of the Touch display)

## Indicating the device information

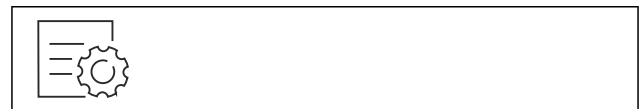


Fig. 128



Fig. 129

- ▶ Carry out action steps according to the illustration.
- ▷ Display indicates device information.



## Software

Use this function to indicate the software version of your device.

## Indicating the software version

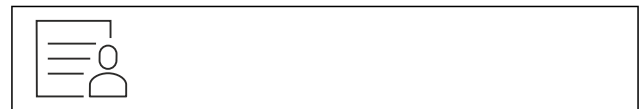


Fig. 130



Fig. 131

- ▶ Carry out action steps according to the illustration.
- ▷ Display indicates software version.

## Start defrosting cycle\*

Use this function to start the automatic defrosting cycle manually if it does not start automatically in the event of a fault.

This function applies to NoFrost devices.\*

### Starting defrosting cycle



Fig. 132

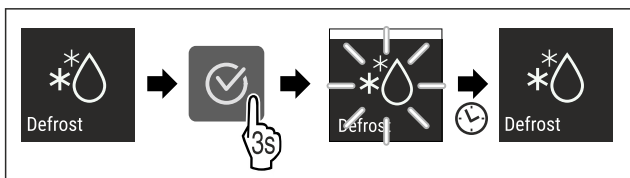


Fig. 133

- ▶ Carry out action steps according to the illustration.
- ▶ Defrosting cycle has started: Icon flashes until defrosting cycle is automatically completed.
- ▶ When defrosting cycle is finished: The device continues to run in normal mode.

### Cancelling defrosting cycle

The defrosting cycle will be stopped automatically. However, you can also cancel the defrosting cycle at any time during the defrosting process:

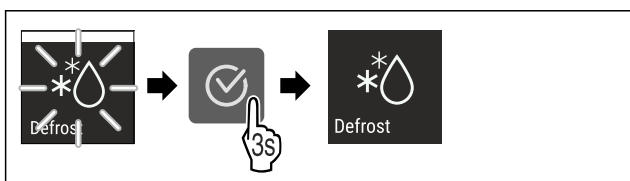


Fig. 134

- ▶ Carry out action steps according to the illustration.
- ▶ Defrosting cycle is cancelled.
- ▶ The device continues to run in normal mode.

## Door alarm

Use this function to activate or deactivate the door alarm. The door alarm sounds if the door is open for too long. The door alarm is activated on delivery. You can set how long the door may be open before the door alarm sounds.

The following values can be set:

- 1 minute
- 2 minutes
- 3 minutes
- Off

### Setting the door alarm



Fig. 135

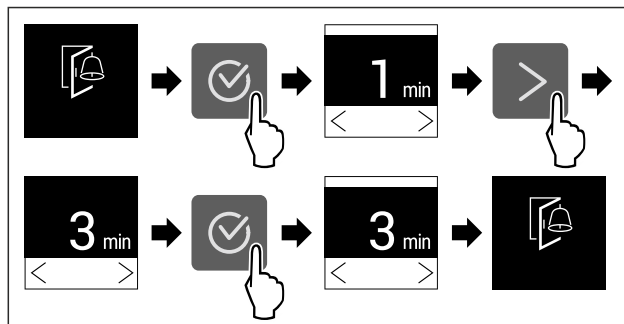


Fig. 136 Example illustration: Change door alarm from 1 minute to 3 minutes.

- ▶ Carry out action steps according to the illustration.
- ▶ The door alarm is set.

### Deactivating the door alarm

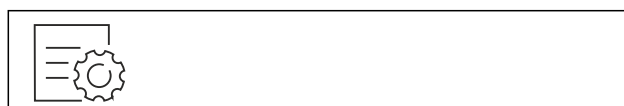


Fig. 138

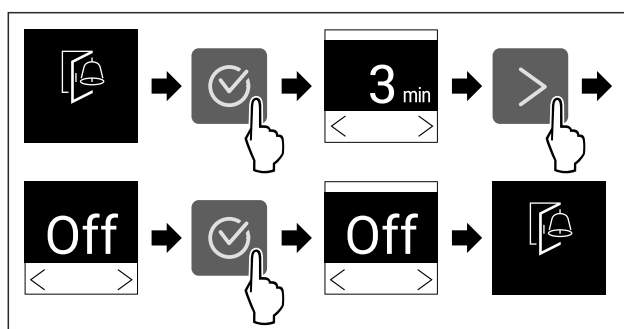


Fig. 139

- ▶ Carry out action steps according to the illustration.
- ▶ The door alarm is deactivated.

## Demo mode

Demo mode is a special feature for dealers who want to demonstrate appliance features. If you activate demo mode, all refrigeration functions are deactivated.

If you switch on your appliance and “Demo” appears in the status display, then demo mode is already activated.

If you activate and then deactivate demo mode, the appliance will be reset to factory defaults. (see Resetting to factory settings)

### Activating demo mode



Fig. 140

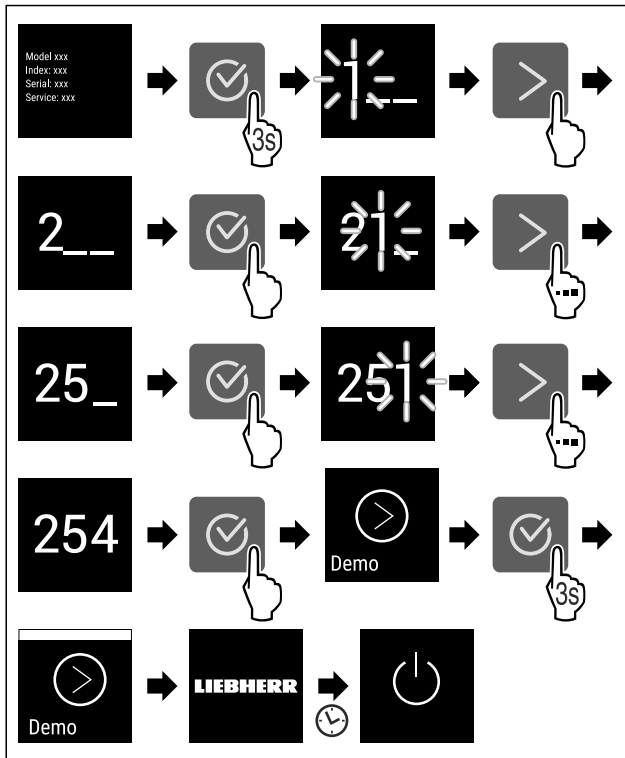


Fig. 141

- ▶ Carry out action steps according to the illustration.
- ▶ Demo mode is activated.
- ▶ Appliance is switched off.
- ▶ Switch on the appliance. (see 5.1 Switching on appliance (first use))
- ▶ “DEMO” appears in the status display.

### Deactivating demo mode



Fig. 142

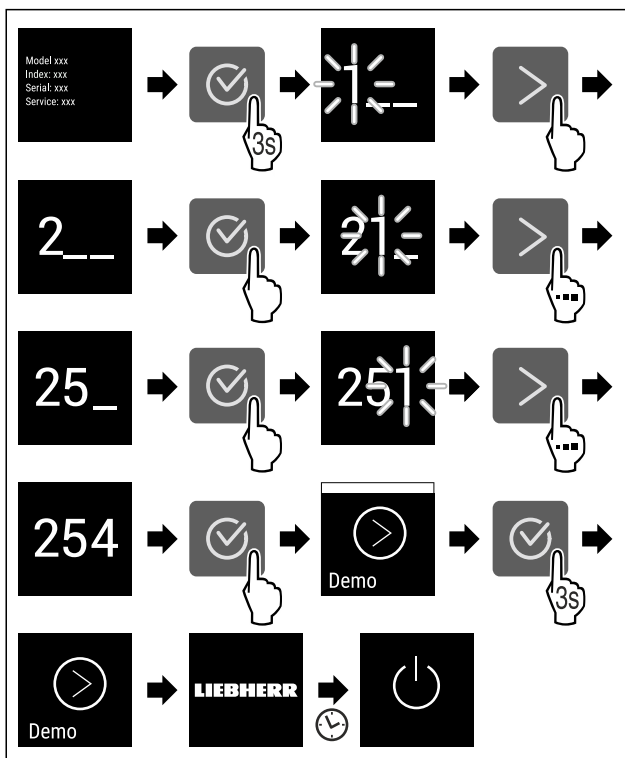


Fig. 143

- ▶ Carry out action steps according to the illustration.
- ▶ Demo mode is deactivated.
- ▶ Appliance is switched off.
- ▶ Switch on the appliance. (see 5.1 Switching on appliance (first use))
- ▶ Appliance is reset to factory settings.



### Resetting to factory settings

Use this function to reset all settings to factory defaults. All settings you have made so far are reset to their original settings.

#### Performing a reset



Fig. 144

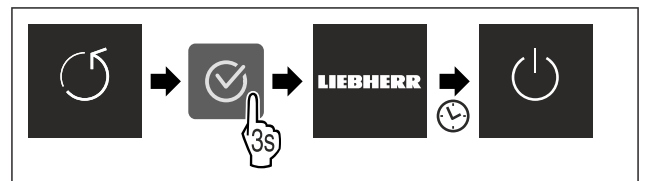


Fig. 145

- ▶ Carry out action steps according to the illustration.
- ▶ Device is reset.
- ▶ Device is switched off.
- ▶ Restart the device. (see 5.1 Switching on appliance (first use))

## 8.3 Messages

There are two categories of messages:

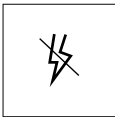

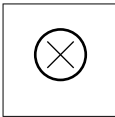

| Category | Importance   |
|----------|--|
| Warning  | Warnings appear in the event of a door alarm or malfunction.<br>Simple warnings can be cancelled by yourself. In the event of serious malfunctions, you must contact customer service. (see 11.4 Customer Service) |
| Reminder | Reminders remind you of general processes. You can carry out these operations to end the message.  |

### 8.3.1 Overview of warnings

Behaviour of the appliance in the event of warnings:

- Warning appears on the display.
- The alarm tone sounds at an ever-increasing volume.
- The interior lighting pulsates for some warnings.

| Message               | Cause   | Exit the message                         |
|-----------------------|---|--|
| <br><b>Door alarm</b> | The message appears if the door is open for too long. | Carry out action steps. (see Door alarm) |

| Message  | Cause  | Exit the message                                 |
|--|--|--|
| <br><b>Power outage alarm</b>                | The message appears if the freezing temperature has risen due to a power failure.  | Carry out action steps. (see Power outage alarm) |
| <br><b>Temperature alarm</b>                 | The message appears if the freezing temperature does not correspond to the set temperature.  | Carry out action steps. (see Temperature alarm)  |
| <br><b>Error</b>                             | The message appears if there is an appliance error. A component of the appliance has a fault.  | Carry out action steps. (see Error)              |
| <br><b>WiFi Error*</b><br><b>WLAN error*</b> | The message appears if the appliance could not be connected to the WLAN. (see Establishing the WiFi connection for the first time) The message only appears during the initial setup.* | Carry out action steps. (see WLAN error*) *      |

## 8.3.2 Ending warnings

### Door alarm

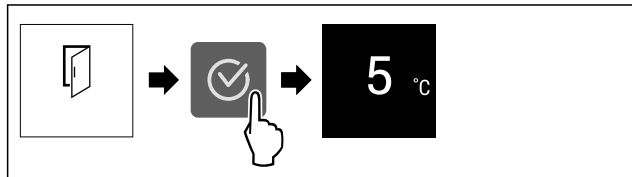


Fig. 146 Example illustration

- ▶ Carry out action steps according to the illustration.

-or-

- ▶ Close the door.

- ▶ The display returns to the status indicator.
- ▶ The appliance cools more vigorously, which means that the temperature shown on the display may be higher than the actual temperature inside the appliance.\*
- ▶ Appliance noises can be louder.\*

You can set how long the door may be open before the door alarm sounds. (see Setting the door alarm)

### Power outage alarm

When the power failure has ended, the appliance will automatically cool down to the previously set target temperature without you having to confirm the message. However, for the message to disappear from the display, you must confirm it.

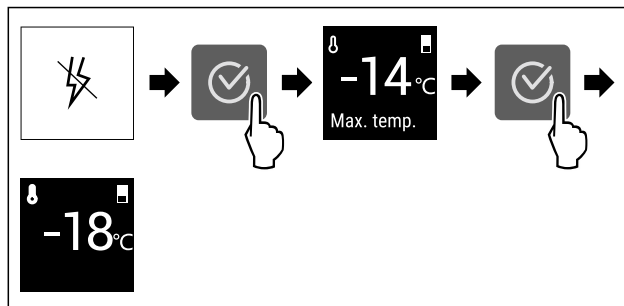


Fig. 147 Example illustration

- ▶ Press the confirmation symbol.
- ▶ Warmest freezing temperature is displayed.
- ▶ If the freezing temperature was below -9 °C: Food can still be consumed. If the freezing temperature has risen above -9 °C:
  - ▶ Check the food.
  - ▶ Press the confirmation symbol.
- ▶ The display returns to the status indicator: Current temperature and target temperature are displayed.

### Temperature alarm

Temperature differences can be caused by:

- You have put in warm, fresh food.
- Too much warm air has got in while you were sorting out the freezer or removing items.
- There has been a longer power failure.
- The appliance is faulty.
- ▶ Eliminate causes.
- ▶ The appliance cools to the target temperature set previously.

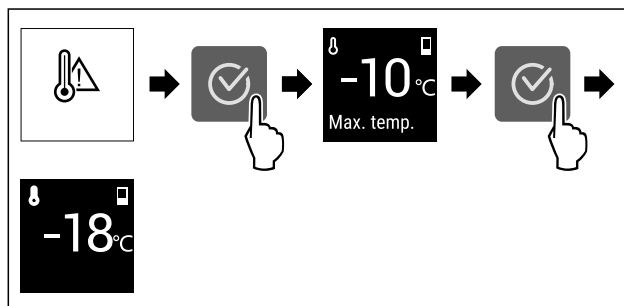


Fig. 148 Example illustration

- ▶ Press the confirmation symbol.
- ▶ Warmest freezing temperature is displayed.
- ▶ If the freezing temperature was below -9 °C: Food can still be consumed. If the freezing temperature has risen above -9 °C:
  - ▶ Check the food.
  - ▶ Press the confirmation symbol.
- ▶ The display returns to the status indicator: Current temperature and target temperature are displayed.

### Error

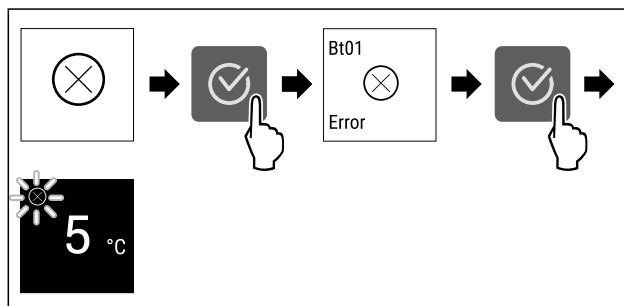


Fig. 149 Example illustration

- ▶ Press the confirmation symbol.
- ▶ Error code is displayed.

# Features

- ▶ Note the error code.
- ▶ Press the confirmation symbol.
- ▶ The display returns to the status indicator.
- ▶ Contact Customer Service. (see 11.4 Customer Service)

## WLAN error\*

- ▶ Check WLAN connection.
- ▶ Reconnect the appliance to the WLAN. (see WiFi)


### 8.3.3 Overview of reminders

Behaviour of the appliance during reminders:

- Reminder appears on the display.
- Alarm tone sounds.
- The interior lighting pulsates for some reminders.

The following reminders can be deactivated (see Deactivating the reminder) :

- Replace the FreshAir activated carbon filter

| Message  | Cause   | Exit the message   |
|--|---|--|
|  <p><b>Replace the FreshAir activated carbon filter</b></p> | The message appears when the FreshAir activated carbon filter needs to be replaced. | Carry out action steps. (see Replace the FreshAir activated carbon filter) |

### 8.3.4 Ending reminders

#### Replace the FreshAir activated carbon filter

Liebherr recommends: Replace the FreshAir activated carbon filter every 6 months.

#### Note

FreshAir activated charcoal filters can be purchased from the Liebherr-Hausgeräte store at [home.liebherr.com/shop/de/deu/zubehor.html](http://home.liebherr.com/shop/de/deu/zubehor.html).

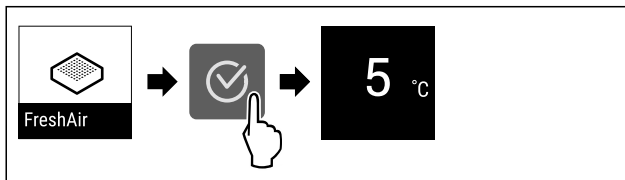


Fig. 150 Example illustration

- ▶ Press the confirmation symbol.
- ▶ Replace the activated carbon filter. (see 10.1 FreshAir carbon filter)
- ▶ Activated carbon filter ensures optimum air quality in the cooling unit.
- ▶ Reminder appears again after 6 months.

If you no longer wish to receive this reminder, you can deactivate it. (see Deactivating the reminder)

## 9 Features

### 9.1 Door rack

Door racks are suitable for storing drinks and food. You can move door racks for your own individual use and take them apart for cleaning. However, Liebherr recommends using the door racks in the position in the door as delivered from the factory.

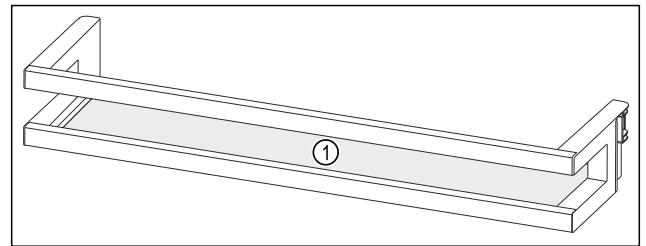


Fig. 151 Example illustration, Door rack

(1) Shelf

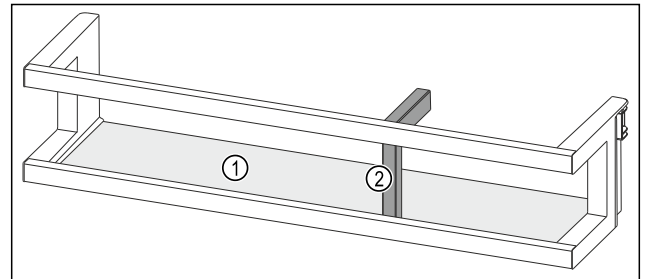


Fig. 152 Example illustration, Door rack with bottle holder

(1) Shelf

(2) Bottle holder

The following table shows examples of what can be stored in each door rack. Do not exceed the maximum loading weight of the door.

| Door rack                                   | Food   |
|---|--|
| Door rack (see Fig. 151)                    | Butter, cheese, tinned food, tubes   |
| Door rack with bottle holder (see Fig. 152) | Bottles<br>The sliding bottle holder secures the bottles in the door rack. |

### 9.1.1 Removing the door rack

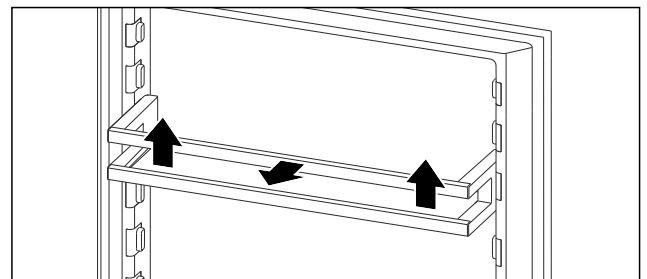


Fig. 153 Example illustration

- ▶ Push the door rack upwards.
- ▶ Pull the door rack forward.

### 9.1.2 Inserting the door rack

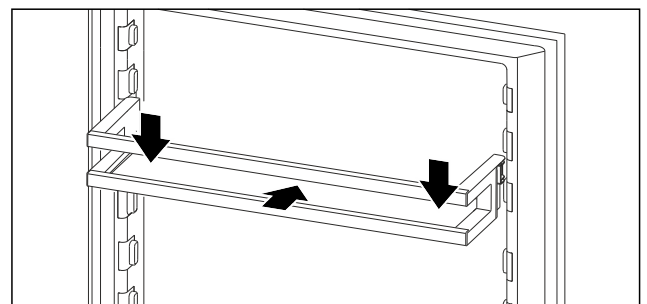


Fig. 154 Example illustration

- ▶ Slide in the door rack.
- ▶ Press the door rack down.

## 9.2 Shelves

### 9.2.1 Adjusting/removing the shelves

The shelves are prevented from being pulled out accidentally by pull out stops.

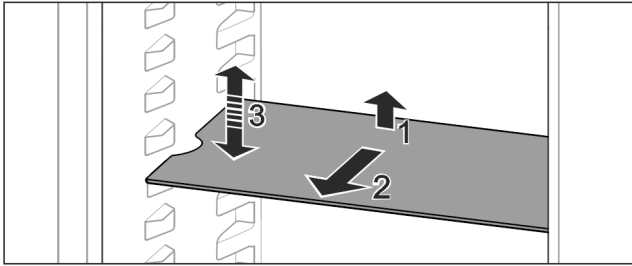


Fig. 155

- ▶ Lift the shelf and pull forward.
- ▶ Line up the side runner.
- ▶ Adjust the height of the shelf: Lift or lower it to the desired height and slide it in.

-or-

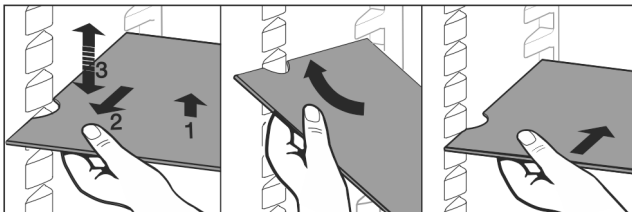


Fig. 156

- ▶ Remove the shelf completely: Pull it out to the front.
- ▶ Easier removal: Set the shelf at an angle.
- ▶ Insert the shelf again: Slide it in all the way.
- ▶ The pull-out stoppers point downwards.
- ▶ The pull-out stoppers are behind the front support.

## 9.3 Dividing shelf

### 9.3.1 Using the dividing shelf

The shelves are prevented from being pulled out accidentally by pull out stops.

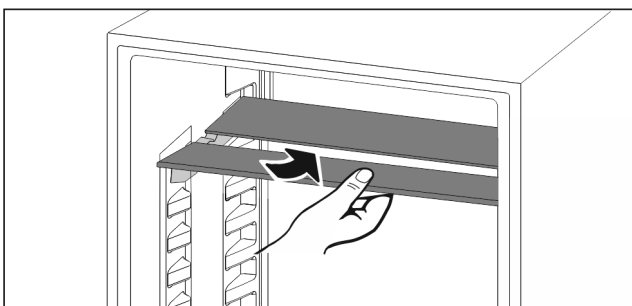


Fig. 157

- ▶ Push the dividing shelf underneath as shown.

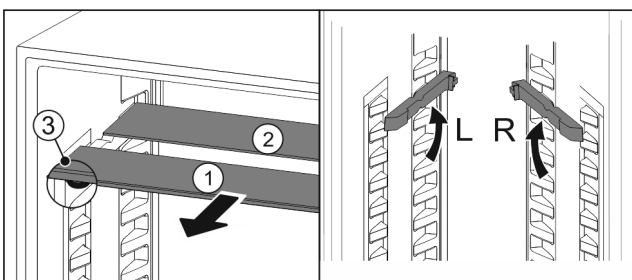


Fig. 158

### Adjusting the height:

- ▶ Pull the glass panels out Fig. 158 (1) from the front, one at a time.
- ▶ Release the support rails and click in at the height you want.
- ▶ Slide in the glass panels one at a time.
- ▶ Flat pull-out stoppers at the front, right behind the support rails.
- ▶ High pull-out stoppers at the back.

### Using both shelves:

- ▶ Hold the glass panel with one hand and pull it to the front.
- ▶ The glass panel Fig. 158 (1) and trim strip are at the front.
- ▶ The stops Fig. 158 (3) point down.

## 9.4 Space for baking tray

There is space for a baking tray () above the drawers.



Fig. 159

Ensure that the following conditions are met:

- Max. baking tray dimensions are adhered to (see 11.1 Technical specifications).
- Baking tray is cooled to room temperature.
- The lowest door rack is set at least one position higher.

With the door open to 90°:

- ▶ Slide the baking tray onto the lower side runners.

-or-

If baking tray is uneven:

- ▶ Use the supplied support rails.

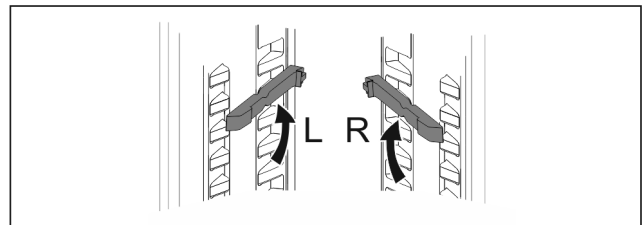


Fig. 160

- ▶ Snap support rails into the lowest runners. With the door open to 90°:
- ▶ Slide the baking tray in on the support rails.

## 9.5 Adjustable bottle shelf

Either the glass shelf or the variable bottle rack can be used in the bottom section of the refrigerator. The glass shelf is inserted at delivery.

# Features

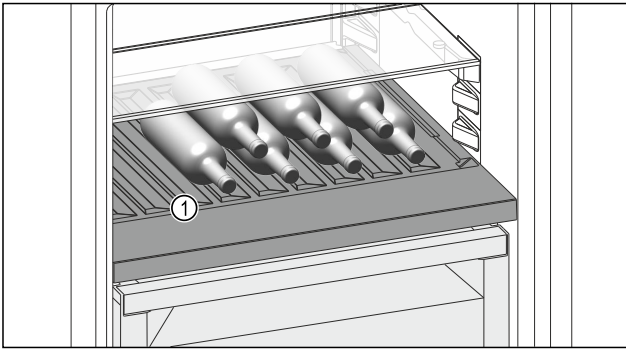


Fig. 161 Example illustration

(1) Variable bottle rack

## 9.5.1 Using the variable bottle rack

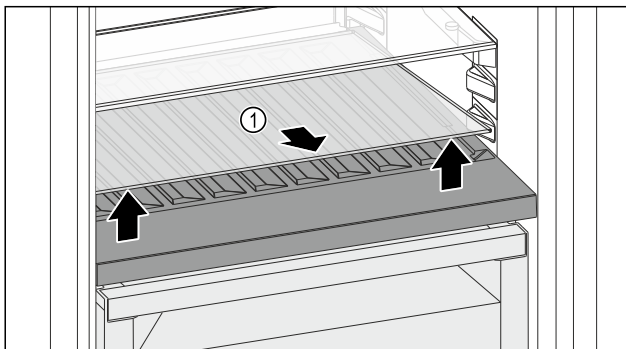


Fig. 162

- ▶ Lift the glass shelf Fig. 162 (1) at the front and remove.
- ▶ Store the glass shelf Fig. 162 (1) in a safe place outside the appliance.
- ▶ Insert the glass shelf (2) under the variable bottle rack.

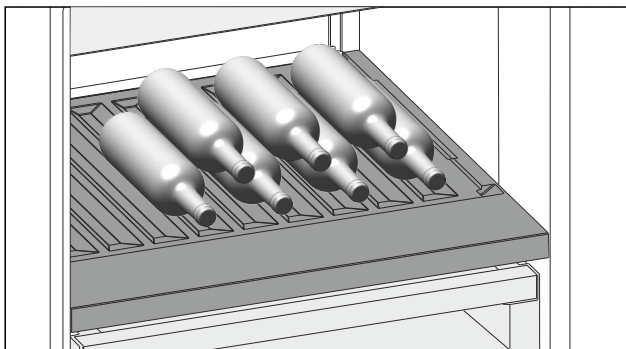


Fig. 163 Example illustration

- ▶ Place bottles in the back row with their bases against the back wall. (see Fig. 163)

### Note

When the bottles protrude over the variable bottle rack at the front:

- ▶ Set the lower door rack one position higher.

## 9.5.2 Using the glass shelf

Ensure that the following requirements are met:

- Bottles have been removed.
- Variable bottle rack has been cleaned. (see 10.4 Removing / inserting the variable bottle rack) (see 10.7.3 Clean the components)

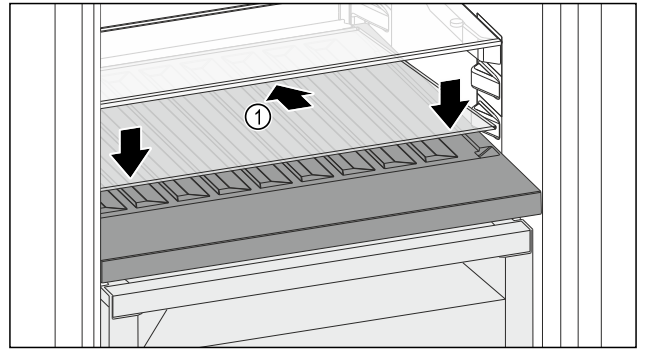


Fig. 164

- ▶ Place the glass shelf Fig. 164 (1) at an angle, sloping it downwards and backwards.
- ▶ Lower the glass shelf Fig. 164 (1) at the front.

## 9.6 Drawers

You can remove the drawers for cleaning.

You can remove the drawers to use VarioSpace.

The way to remove/insert the drawers varies depending on the pull-out system. Your appliance can contain various pull-out systems.

For appliances with NoFrost:\*

### Note

The energy consumption increases and the cooling power goes down if ventilation is not sufficient.\*

- ▶ Leave the bottom drawer inside the appliance.\*
- ▶ Always keep the inside vents at the rear wall clear.\*

For appliances without NoFrost:\*

### Note

The energy consumption increases and the cooling power goes down if ventilation is not sufficient.\*

- ▶ Always keep the inside vents at the rear wall clear.\*

### 9.6.1 Drawer on appliance base or glass shelf

The drawer runs directly on the appliance base or on a glass shelf. There are no rails.

When you remove the drawers, you can use the glass shelves below them as storage shelves.

#### Removing drawer

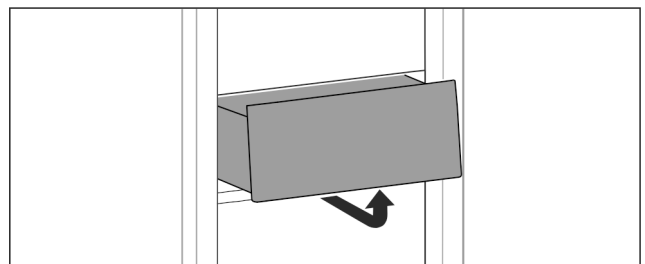


Fig. 165

- ▶ Remove drawer as shown in the illustration.

## Inserting drawer

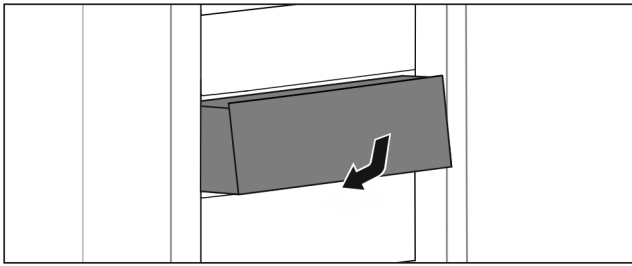


Fig. 166

- ▶ Insert drawer as shown in the illustration.

## 9.6.2 Drawer on telescopic rails

The drawer runs on extendible rails (telescopic rails). There are fully extendible telescopic rails and telescopic rails with partial pull-out. Drawers which are fully extendible can be pulled out fully from the appliance. Drawers with partial pull-out cannot be removed fully from the appliance. The system in your appliance depends on the type of appliance.

### Fully extendible\*

If you have fully extendible rails, there is a clamp located at the back on the left and right of the rail.

### Removing drawer

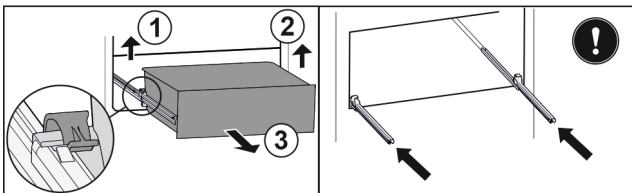


Fig. 167

- ▶ Pull out drawer as far as it will go.
- ▶ Lift left clamp and simultaneously pull drawer forwards on the left. Fig. 167 (1)
- ▶ Lift right clamp and simultaneously pull drawer forwards on the right. Fig. 167 (2)
- ▶ Remove drawer to the front. Fig. 167 (3)
- ▶ Slide rails in.

### Inserting drawer

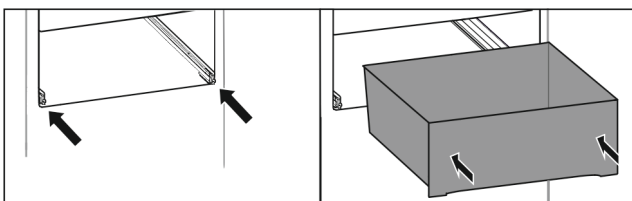


Fig. 168

- ▶ Slide rails in.
- ▶ Place drawer on rails.
- ▶ Slide in drawer to the back.
- ▶ Drawer latches in audibly at the back.

### Partial pull-out fridge compartment\*

### Removing drawer

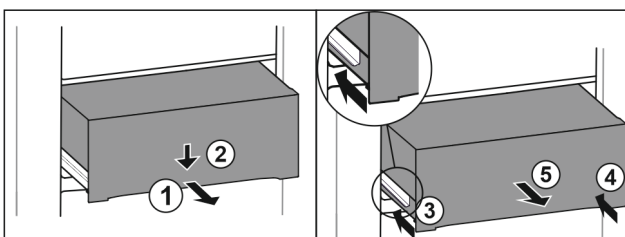


Fig. 169

- ▶ Pull out drawer half-way. Fig. 169 (1)
- ▶ Push the drawer down at the front. Fig. 169 (2)
- ▶ Push the left rail in by about 2 cm. Fig. 169 (3)
- ▶ Push the right rail in by about 2 cm. Fig. 169 (4)
- ▶ Remove drawer to the front. Fig. 169 (5)

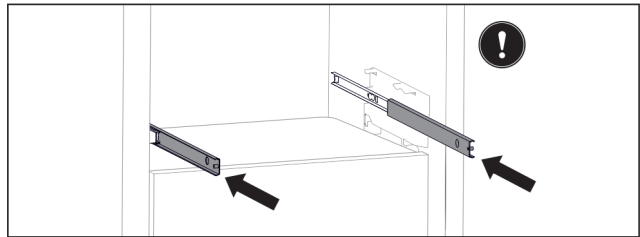


Fig. 170

If the rails are not yet fully inserted after removing the drawer:

- ▶ Push rails in completely.

### Inserting drawer

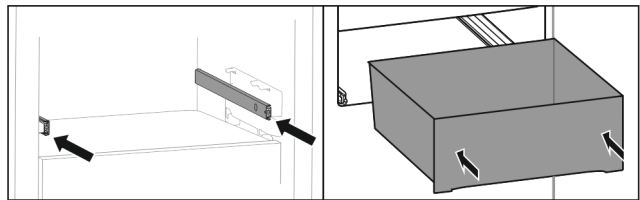


Fig. 171

- ▶ Slide rails in.
- ▶ Place drawer on rails.
- ▶ Slide in drawer to the back.

## 9.7 Compartment lid for Fruit & Vegetable Safe

The compartment lid ensures constant levels of humidity. The compartment lid is directly on the drawer and can be covered by shelves or additional drawers.

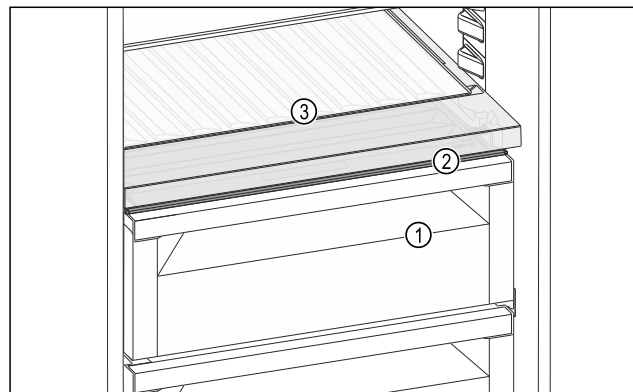


Fig. 172 Example illustration, compartment lid for Fruit & Vegetable Safe

- (1) Fruit & Vegetable Safe
- (2) Compartment lid for Fruit & Vegetable Safe
- (3) Variable bottle rack

# Features

## 9.7.1 Reducing the air humidity in the drawer

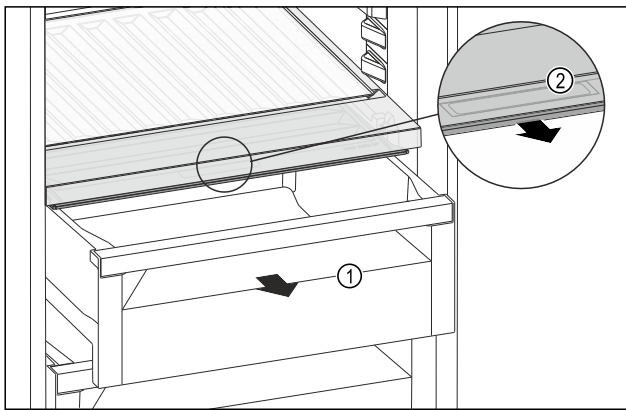


Fig. 173

- ▶ Pull out the drawer Fig. 173 (1).
- ▶ Grasp the recessed grip Fig. 173 (2) on the compartment lid and pull the compartment lid forwards at the same time.
- ▷ When the drawer is closed, there is a small gap between the compartment lid and the drawer.

## 9.7.2 Increasing the air humidity in the drawer

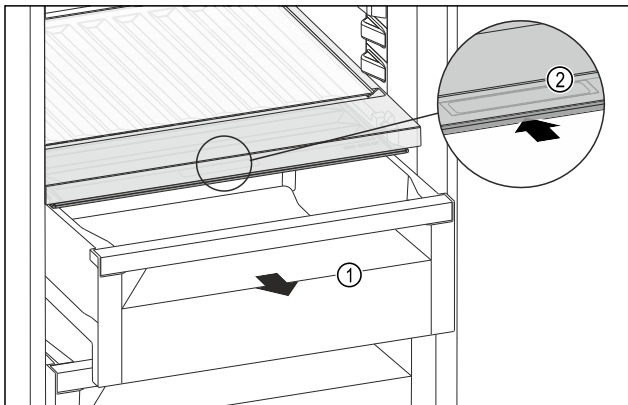


Fig. 174

- ▶ Pull out the drawer Fig. 174 (1).
- ▶ Grasp the recessed grip Fig. 174 (2) on the compartment lid and push the compartment lid backwards at the same time.
- ▷ When the drawer is closed, the compartment lid seals with the drawer.

## 9.7.3 Using Fruit & Vegetable Safe as Meat & Dairy Safe

You can use the Fruit & Vegetable Safe as Meat & Dairy Safe. To do this, you must reduce the humidity in the drawer. (see 9.7.1 Reducing the air humidity in the drawer)

## 9.8 Glass shelves

You can remove the glass shelves under the drawers for cleaning.

You can remove the glass shelves under the drawers to use VarioSpace.

### 9.8.1 Removing / inserting the glass shelf

Make sure that the following requirements are fulfilled:

- Glass shelf under the drawer: The drawer has been removed. (see 9.6 Drawers)

### Removing glass shelf

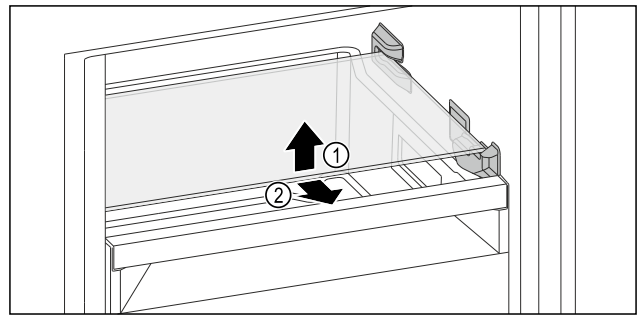


Fig. 175 Example illustration, glass shelf

- ▶ Lift the glass shelf forwards.
- ▶ Remove the glass shelf forwards.

### Inserting glass shelf

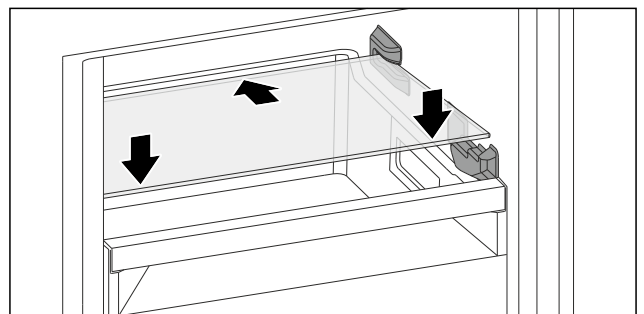


Fig. 176 Example illustration, glass shelf

- ▶ Place the glass shelf at an angle behind the stoppers.
- ▶ Lower glass shelf.
- ▶ Slide in glass shelf to the back.

## 9.9 VarioSpace

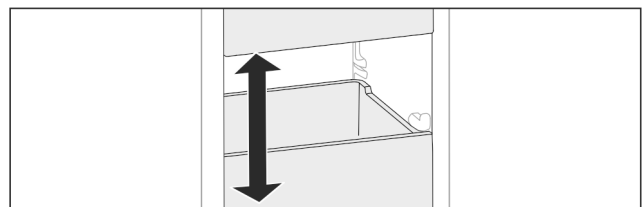


Fig. 177

You can remove drawers and glass panels from your appliance. This provides more room for large food items such as poultry, joints of meat, large game, and tall baked products. You can then freeze these items whole for later preparation.

- ▶ Note the weight limits on the drawers and glass panels (see 11.1 Technical specifications).

## 9.10 Bottle holder

### 9.10.1 Using the bottle holder

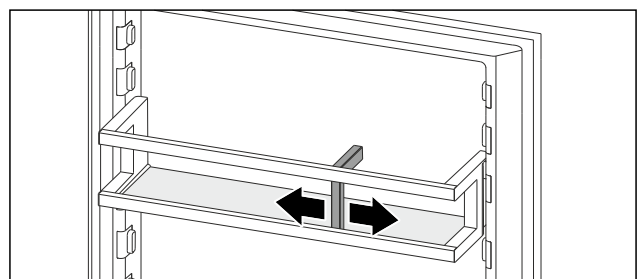


Fig. 178

- ▶ Push the bottle holder onto the bottles.
- ▷ The bottles are prevented from falling over.

## 9.11 FlexCube

The FlexCube has different sized openings, so you can store small items such as tubes, open yoghurt pots or quail eggs in it. The FlexCube fits into all Liebherr door racks, for example. If necessary, you can also set up several FlexCubes next to each other.

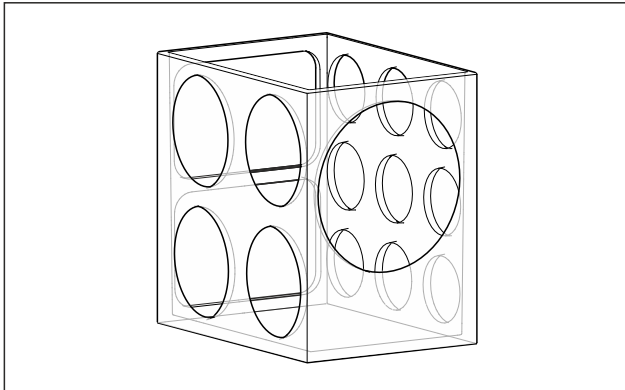


Fig. 179 Example illustration

### Note

These accessories can be purchased from the Liebherr-Hausgeräte shop at [home.liebherr.com/shop/de/deu/zubehor.html](http://home.liebherr.com/shop/de/deu/zubehor.html).

### 9.11.1 Using the FlexCube

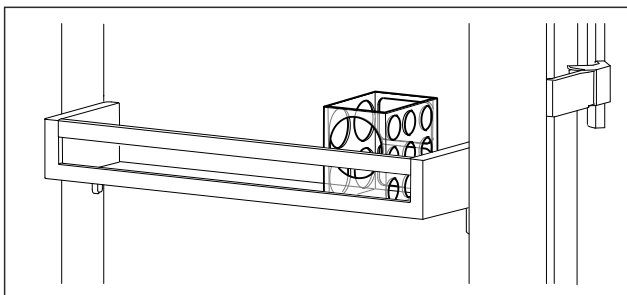


Fig. 180 Example illustration

- ▶ Insert the FlexCube in the door rack.
- or-

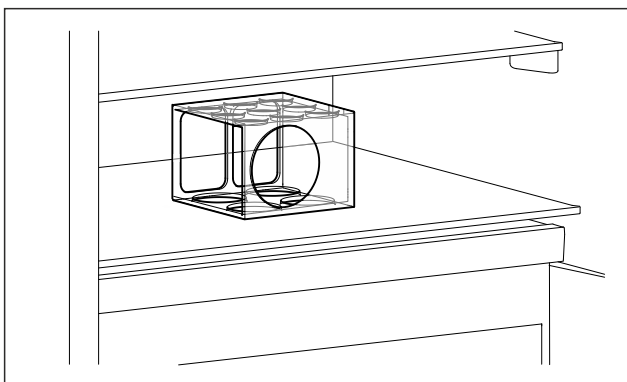


Fig. 181 Example illustration

- ▶ Place FlexCube on shelf.
- ▶ Sort small parts into the FlexCube for storage.

## 10 Maintenance

### 10.1 FreshAir carbon filter

The FreshAir carbon filter is in the compartment above the fan.

It guarantees the best air quality.

- ❑ Replace the carbon filter every 6 months. When the reminder is set, a message on the display prompts you to change it.
- ❑ The carbon filter can be disposed of with the regular household waste.

### Note

FreshAir activated charcoal filters can be purchased from the Liebherr-Hausgeräte store at [home.liebherr.com/shop/de/deu/zubehor.html](http://home.liebherr.com/shop/de/deu/zubehor.html).

#### 10.1.1 Removing the FreshAir carbon filter

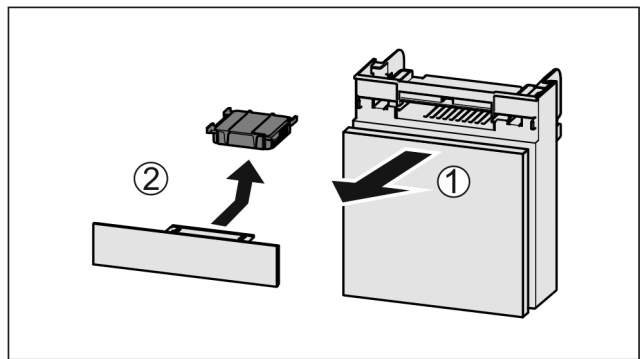


Fig. 182

- ▶ Pull out the compartment Fig. 182 (1).
- ▶ Remove the carbon filter Fig. 182 (2).

#### 10.1.2 Inserting the FreshAir carbon filter

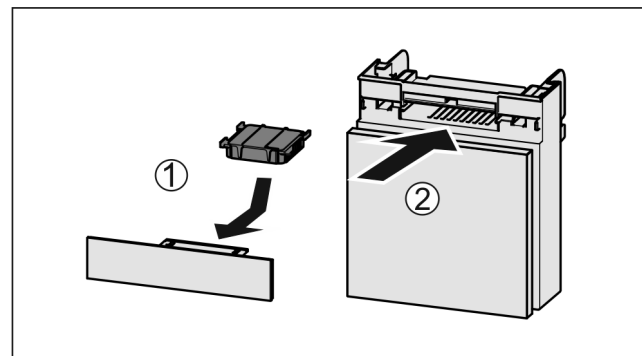


Fig. 183

- ▶ Insert the carbon filter as shown in the diagram Fig. 183 (1).
- ▶ The carbon filter clicks into place. If the carbon filter is pointing downwards:
- ▶ Push the compartment in Fig. 183 (2).
- ▶ The carbon filter is now ready for use.

### 10.2 Removing / inserting the bottle holder

#### 10.2.1 Removing the bottle holder

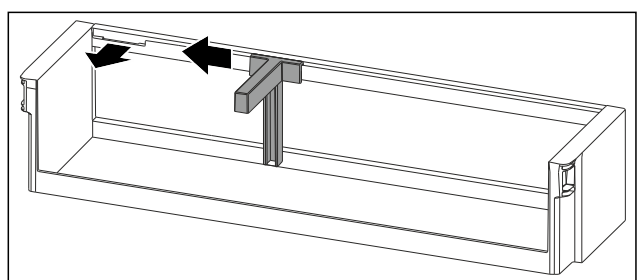


Fig. 184

# Maintenance

- ▶ Slide the bottle holder to the side as far as the recess.
- ▶ Remove the bottle holder forwards.

## 10.2.2 Inserting the bottle holder

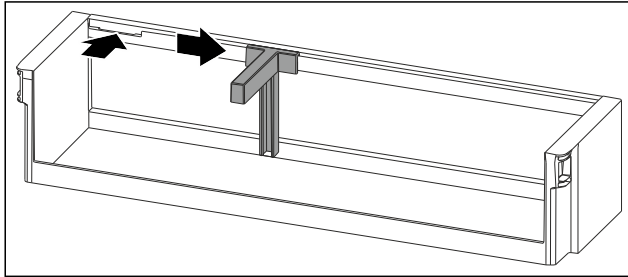


Fig. 185

- ▶ Insert the bottle holder in the recess.
- ▶ Push the bottle holder to the desired position to the side.

## 10.3 Disassembling / assembling pull-out systems

### 10.3.1 Notes on disassembly

You can disassemble some of the pull-out systems for cleaning. Your appliance can contain a variety of pull-out systems.

The following pull-out systems can be disassembled or cannot be disassembled:

| Pull-out system                         | can be disassembled / cannot be disassembled |
|---|--|
| Drawer on appliance base or glass shelf | cannot be disassembled                       |
| Fully extendible*                       | cannot be disassembled*                      |
| Fridge section partial pull-out*        | cannot be disassembled*                      |

## 10.4 Removing / inserting the variable bottle rack

The variable bottle rack can be removed for cleaning.

### 10.4.1 Removing the variable bottle rack

Ensure that the following requirements are met:

- Bottles have been removed.
- Glass shelf has been removed. (see 9.5.1 Using the variable bottle rack)

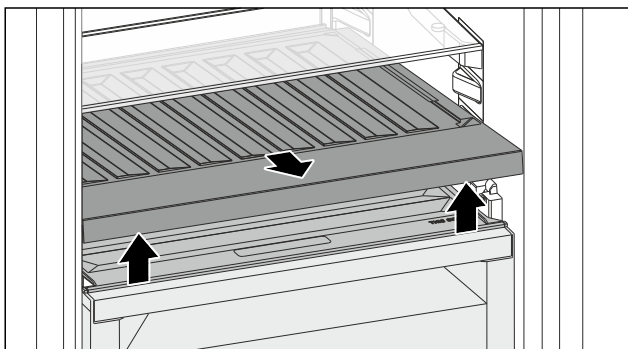


Fig. 186

- ▶ Lift the variable bottle rack at the front and pull it out.
- ▶ The compartment lid is visible.

### Note

Liebherr recommends:

Do not place any items on the compartment lid below.

## 10.4.2 Inserting the variable bottle rack

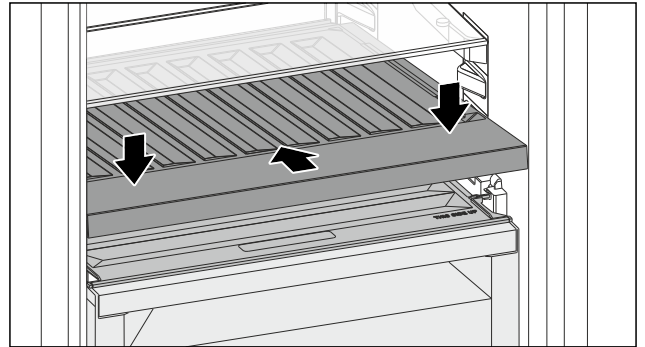


Fig. 187

- ▶ Push the variable bottle rack in to the end stop and press it down.
- ▶ Insert the glass shelf. (see 9.5.2 Using the glass shelf)
- or-
- ▶ Use the variable bottle rack for bottles.

## 10.5 Compartment lid for Fruit & Vegetable Safe

You can remove the compartment lid for cleaning.

### 10.5.1 Removing the compartment lid

Ensure that the following requirements are met:

- The glass shelf directly above the variable bottle rack has been removed.
- The variable bottle rack has been removed.
- The drawer directly below the compartment lid has been removed. (see 9.6 Drawers)

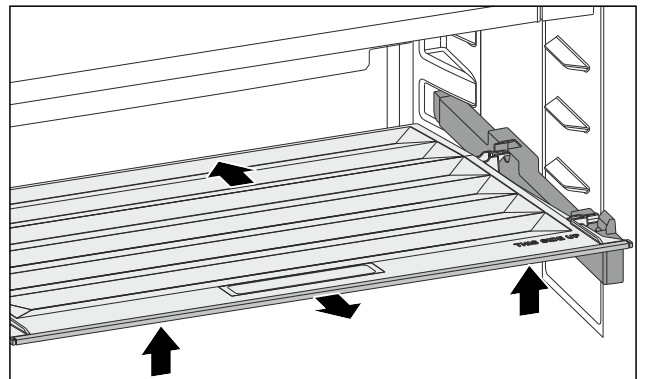


Fig. 188

- ▶ Push the compartment lid backwards.
- ▶ Lift the compartment lid forwards.
- ▶ Remove the compartment lid forwards and upwards at an angle.

## 10.5.2 Inserting the compartment lid

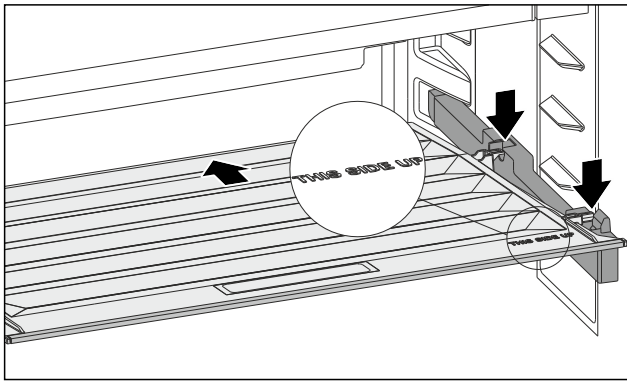


Fig. 189

If the THIS SIDE UP lettering is at the top:

- ▶ Insert the rear retaining parts into the relevant rear openings.
- ▶ Push the compartment lid backwards.
- ▶ Lower the compartment lid forwards and engage the front retaining parts into the openings.
- ▶ Move the compartment lid into the required position.

## 10.6 Defrosting the appliance



### WARNING

Improper defrosting of the appliance!\*  
Injuries and damage.

- ▶ Do not use mechanical equipment or other methods to speed up the defrosting process other than those recommended by the manufacturer.
- ▶ Do not use electrical heating or steam-cleaning appliances, naked flames or defroster sprays to defrost.
- ▶ Do not use sharp objects to remove ice.

### 10.6.1 Defrosting the fridge compartment

Defrosting is performed automatically. The water from the thawing process drains through the outlet and evaporates.

- ▶ Clean the drain opening at regular intervals.  
(see 10.7 Cleaning the appliance)

### 10.6.2 Defrosting the freezer compartment with NoFrost\*

Defrosting is performed automatically with the NoFrost system. The moisture is deposited on the evaporator, is periodically defrosted and evaporates.

The appliance does not have to be defrosted.

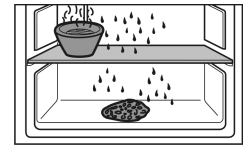
### 10.6.3 Defrosting the freezer compartment manually\*

A layer of frost or ice forms after prolonged use.

The following factors promote the formation of frost or ice:

- The appliance is opened frequently.
- Hot food is put in.  
One day before defrosting:
  - ▶ Activate the SuperFrost. (see 8.2 Appliance functions)
  - ▶ Frozen goods have a "residual coldness".
  - ▶ Switch the appliance off.
  - ▶ Pull the mains plug out of the socket or switch the fuse off.
  - ▶ Wrap the frozen produce in newspaper or blankets and store in a cool place.

- ▶ Place a pan of hot water (not boiling) on the middle shelf.



- ▶ This speeds up the defrosting process.
- ▶ Leave the appliance door open during defrosting.
- ▶ Remove loosened pieces of ice.
- ▶ Make sure that there is no melted ice water in the cabinet.
- ▶ Soak up the melted ice water with a sponge or cloth several times as necessary.
- ▶ Clean the appliance. (see 10.7 Cleaning the appliance)

## 10.7 Cleaning the appliance

### 10.7.1 Ready



### WARNING

Danger of electric shock!

- ▶ Remove the refrigerator connector or interrupt the power supply.



### WARNING

Risk of fire

- ▶ Do not damage the refrigeration circuit.

- ▶ Empty the appliance.
- ▶ Remove mains connector.

-or-

- ▶ Activate CleaningMode. (see CleaningMode)

### 10.7.2 Cleaning the interior

#### NOTICE

Improper cleaning!  
Damage to the appliance.

- ▶ Only use soft cleaning cloths and ph-neutral all-purpose cleaners.
- ▶ Do not use abrasive sponges or steel wool which may cause scratches.
- ▶ Do not use any sharp or abrasive cleaning agents, nor any that contain sand, chloride or acid.

- ▶ Plastic surfaces: clean by hand with a soft clean cloth, lukewarm water and a little detergent.
- ▶ Metal surfaces: clean by hand with a soft clean cloth, lukewarm water and a little detergent.
- ▶ Drain hole: remove deposits using a thin item (for example a cotton bud).

### 10.7.3 Clean the components

#### NOTICE

Improper cleaning!  
Damage to the appliance.

- ▶ Only use soft cleaning cloths and ph-neutral all-purpose cleaners.
- ▶ Do not use abrasive sponges or steel wool which may cause scratches.
- ▶ Do not use any sharp or abrasive cleaning agents, nor any that contain sand, chloride or acid.

**Clean with a soft, clean cloth, lukewarm water and some detergent:**

- Door rack
- Shelf
- Dividing shelf

# Customer help

- Compartment lid for Fruit & Vegetable Safe
- Drawer
- Adjustable bottle shelf

## Clean with a damp cloth:

- Retractable rails  
Please note: The grease in the tracks is used for lubrication and must not be removed!

## Wash in the dishwasher up to 60 °C:

- Bottle rack
- Holder of the dividing shelf
- Ice cube tray
- FlexCube
- ▶ To disassemble components: see the relevant section.
- ▶ Clean the components.

## 10.7.4 After cleaning

- ▶ Wipe the appliance and the components dry.
- ▶ Connect and switch on the appliance.
- ▶ Activate SuperFrost (see 8.2 Appliance functions).  
The temperature is cold enough:
- ▶ Place the food inside.
- ▶ Repeat cleaning regularly.

# 11 Customer help

## 11.1 Technical specifications

| Temperature range |                  |
|-------------------|------------------|
| Cooling           | 3 °C to 9 °C     |
| BioFresh          | 0 °C to 3 °C     |
| Freeze            | -26 °C to -15 °C |

| Maximum ice cube quantity / 24 hours |  |
|--------------------------------------|--|
| Freezer compartment                  | see type plate under "Freezing capacity .../ 24 h" |

| Maximum component capacity  |  |  |  |
|---|--|--|--|
| Features  | Appliance width 550 mm (see installation instructions, appliance dimensions) | Appliance width 600 mm (see installation instructions, appliance dimensions) | Appliance width 700 mm (see installation instructions, appliance dimensions) |
| Drawer on glass shelf (see 9.6.1 Drawer on appliance base or glass shelf) | 12 kg  | 15 kg  | --   |

| Maximum size baking tray |        |
|--------------------------|--------|
| Width                    | 466 mm |
| Depth                    | 386 mm |
| Height                   | 50 mm  |

| Lighting   |              |
|--|--------------|
| Class <sup>1</sup>   | Light source |
| This product contains one or more energy efficiency class G light sources. | LED          |

<sup>1</sup> The appliance may contain light sources with different energy efficiency classes. The lowest energy efficiency class is indicated.

For appliances with a WiFi connection:\*

| Frequency specification*          |  |
|-----------------------------------|--|
| Frequency band                    | 2,4 GHz  |
| Maximum radiated power            | < 100 mW   |
| Purpose of the wireless equipment | Integration in the local WiFi network for data communication |

## 11.2 Operating noises

The appliance makes different noises when it is on.

- At **higher temperatures** the appliance uses less energy but works for longer. It is **quieter**.
- At **lower temperatures** the food is cooled faster. It is **louder**.

Examples:

- Functions on (see 8.2 Appliance functions)
- Fan running
- Food recently added
- High ambient temperature
- Door open for a while

| Noise                  | Possible cause  | Type of noise          |
|------------------------|---|------------------------|
| Bubbling and splashing | Coolant flowing into the cooling circuit.                           | Normal operating noise |
| Hissing                | Coolant sprays into the cooling circuit.                            | Normal operating noise |
| Humming                | The appliance is cooling. The volume depends on the cooling output. | Normal operating noise |
| Suction noises         | Soft-closing door is being opened and closed.                       | Normal operating noise |
| Humming and rustling   | The fan is running.   | Normal operating noise |
| Clicking               | Components are switched on and off.                                 | Normal switching noise |
| Rattling or humming    | Valves or flaps are working.  | Normal switching noise |

| Noise     | Possible cause        | Type of noise   | Lifting                                      |
|-----------|-----------------------|-----------------|--|
| Vibration | Improper installation | Defective noise | Check the installation. Level the appliance. |

| Noise    | Possible cause                         | Type of noise   | Lifting  |
|----------|--|-----------------|--|
| Rattling | Components, items inside the appliance | Defective noise | Secure components. Leave enough space between the items. |

### 11.3 Technical fault

Your appliance is designed and built to ensure it works reliably and has a long service life. In the unlikely event that a fault occurs during operation, please check whether it is due to an operating error. If so, you will be charged for the callout and repair costs even if it falls within the warranty period.

You can fix the following faults yourself.

#### 11.3.1 Appliance function

| Defect   | Cause  | Remedy   |
|--|--|--|
| <b>The appliance is not working.</b>   | → The appliance is not switched on.  | ▶ Switch the appliance on.   |
|  | → The power plug is not properly plugged into the socket.  | ▶ Check the power plug.  |
|  | → There is something wrong with the power outlet fuse.   | ▶ Check the fuse.  |
|  | → Power cut  | ▶ Keep the appliance closed.<br>▶ Safeguarding food: Place cold packs on top of food or use another freezer if the power cut lasts longer.<br>▶ Do not re-freeze defrosted food, |
|  | → The IEC socket is not plugged into the appliance correctly.  | ▶ Check the IEC socket.  |
| <b>Temperature is not cold enough.</b>   | → The appliance door is not closed properly.   | ▶ Close the appliance door.  |
|  | → Not enough ventilation.  | ▶ Keep ventilation grille clear, and clean it.   |
|  | → The ambient temperature is too high.   | ▶ Problem solution: (see 1.2 Climate classes)  |
|  | → The appliance was opened too many times or for too long.   | ▶ Wait to see if the required temperature corrects itself. If not, contact Customer Service. (see 11.4 Customer Service)   |
|  | → Too much fresh food was placed inside without SuperFrost.  | ▶ Solution: (see SuperFrost)   |
|  | → The temperature is set incorrectly.  | ▶ Turn down the temperature and check after 24 hours.  |
|  | → The appliance is too close to a heat source (oven, radiator, etc).   | ▶ Move the appliance or the heat source.   |
|  | → The appliance was not correctly installed in the recess.   | ▶ Check if the appliance was installed correctly and that the door closes properly.  |
| <b>The temperature shown on the display is higher than the actual temperature in the appliance.*</b> | → Appliance door was open for a long time and the door alarm was triggered automatically. This causes the appliance to cool more vigorously. | ▶ Close appliance door.  |
| <b>The door seal is defective or needs to be replaced for another reason.</b>                        | → The door seal can be replaced. It can be replaced without the need for special tools.  | ▶ Contact Customer Service. (see 11.4 Customer Service)  |
| <b>The appliance builds up too much ice or condensation.</b>   | → The door seal may have slipped out of its groove.  | ▶ Check that the door seal is well fitted in the groove.   |

# Shutting down

## 11.3.2 Features

| Defect                               | Cause   | Remedy   |
|--------------------------------------|---|--|
| The internal light does not come on. | → The appliance is not switched on.                       | ▶ Switch the appliance on.   |
|                                      | → The door was open for longer than 15 minutes.           | ▶ Interior lighting switches off automatically after about 15 minutes when the door is open. |
|                                      | → The LED interior light is faulty or the lid is damaged. | ▶ Contact Customer Service. (see 11.4 Customer Service)                                      |

## 11.4 Customer Service

First check whether you can rectify the fault yourself (see 11 Customer help) . If you cannot rectify the problem, contact Customer Service.

You can find the address in the enclosed brochure "Liebherr-Service" or at [home.liebherr.com/service](http://home.liebherr.com/service).



### WARNING

Unprofessional repair!  
Injuries.

- ▶ Have any repairs and action - not expressly specified - on the appliance and mains cable carried out by service personnel only. (see 10 Maintenance)
- ▶ A damaged mains cable may only be replaced by the manufacturer, the manufacturer's Customer Service or a similarly qualified person.
- ▶ In the case of appliances with an IEC connector, the change may be made by the customer.

### 11.4.1 Contacting Customer Service

Make sure that the following appliance information is available:

- Appliance name (model and index)
  - Service no. (Service)
  - Serial no. (S no.)
  - ▶ Call up the appliance information via the display. (see Device information)
- or-
- ▶ Refer to the type plate for appliance information. (see 11.5 Model plate)
  - ▶ Note down the appliance information.
  - ▶ Notify customer service: Report errors and the appliance information.
  - ▶ This will help us to provide you with a faster, more accurate service.
  - ▶ Follow further instructions from Customer Service.

## 11.5 Model plate

The model plate is behind the drawers on the inside of the appliance.

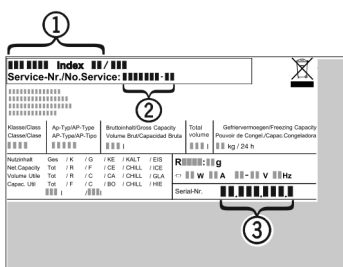


Fig. 190

(1) Appliance description      (3) Serial no.

- (2) Service no.
- ▶ Note the data on the model plate.

## 12 Shutting down

- ▶ Empty the appliance.
- ▶ Switch off appliance. (see Switching the appliance off and on)
- ▶ Pull the mains plug out of the socket.
- ▶ Remove the IEC socket if required: Pull the IEC socket out of the appliance plug and move it to the left and right at the same time.
- ▶ Clean appliance. (see 10.7 Cleaning the appliance)
- ▶ Leave the door open, so that no unpleasant odours arise.

## 13 Disposal

Ensure that the following requirements are met:

- Meaning of the symbols on the appliance: are familiar. (see 1.14 Symbols on the appliance)
- Notes on disposal are familiar. (see 1.8 Disposal)

### 13.1 Preparing the appliance for disposal

- ▶ Shutting your appliance down. (see 12 Shutting down)

### 13.2 Disposing of the appliance in an environmentally friendly manner



### WARNING

Leaking coolant and oil!  
Fire. The coolant contained in the appliance is eco-friendly, but also flammable. The oil contained in the appliance is flammable. Escaping coolant and oil can ignite if the concentration is high enough and in contact with an external heat source.

- ▶ Do not damage the pipelines of the coolant circuit and the compressor.
- ▶ Observe the notes on transporting the appliance. (see 3.5 Transporting the appliance)
- ▶ Remove the appliance without damaging it.
- ▶ Dispose of appliance according to specifications.



Scan QR Code and find  
digital operating and  
installation instructions.



[home.liebherr.com](https://home.liebherr.com)

20260526

**7088668-00**

---

**Liebherr-Hausgeräte GmbH**  
Memminger Straße 77-79  
88416 Ochsenhausen  
Deutschland