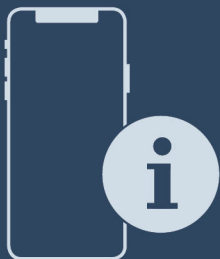




Installation Guide

Quality, Design and Innovation



home.liebherr.com/fridge-manuals




LIEBHERR


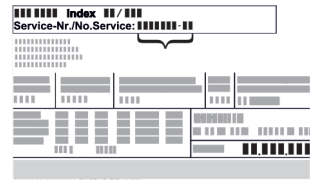




General safety instructions

Contents

| | | |
|-----------|---|-----------|
| 1 | General safety instructions..... | 2 |
| 2 | Installation requirements..... | 3 |
| 2.1 | Installation site..... | 3 |
| 2.2 | Position in space..... | 3 |
| 2.3 | Integration into a kitchen unit..... | 3 |
| 3 | Installation dimensions..... | 4 |
| 4 | Ventilation requirements..... | 4 |
| 5 | Connection dimensions for the power supply..... | 4 |
| 6 | Transporting the appliance..... | 5 |
| 6.1 | Transporting the appliance for initial use..... | 5 |
| 6.2 | Transporting the appliance after initial use..... | 5 |
| 7 | Unpacking the appliance..... | 5 |
| 8 | Mounting wall spacers*..... | 5 |
| 9 | Setting up the appliance..... | 5 |
| 10 | Setting up the appliance so that it is level..... | 6 |
| 11 | After setting up..... | 6 |
| 12 | Installing multiple appliances..... | 6 |
| 13 | Integrating the appliance into a kitchen unit..... | 6 |
| 13.1 | Niche dimensions for appliances with recessed handles*..... | 7 |
| 13.2 | Niche dimensions for appliances with lever handle*..... | 7 |
| 14 | Disposing of packaging..... | 8 |
| 15 | Door hinge change..... | 8 |
| 15.1 | Removing the soft stop mechanism..... | 8 |
| 15.2 | Empty door racks..... | 9 |
| 15.3 | Detaching the door..... | 9 |
| 15.4 | Relocating the upper bearing components..... | 10 |
| 15.5 | Moving the lower bearing parts to the other side.. | 10 |
| 15.6 | Moving the handles to the other side*..... | 11 |
| 15.7 | Fitting the door..... | 12 |
| 15.8 | Aligning the door..... | 12 |
| 15.9 | Appliances with closing damper: Fitting the closing damper..... | 12 |
| 16 | Connecting the appliance to the power supply.... | 13 |

The manufacturer is continually working on the further development of all types and models. Please be aware that we reserve the right to make changes to the shape, equipment and technology.

| Symbol | Explanation |
|---|--|
|  | Read instructions Please read the information in these instructions carefully to understand all of the benefits of your new appliance. |

| Symbol | Explanation |
|---|--|
|  | Additional information on the Internet The digital manual with additional information can be found via the QR code on the front of the manual or by entering the service number at home.liebherr.com/fridge-manuals . The service number can be found on the serial tag:  <i>Fig. Example illustration</i> |
|  | Check appliance Check all parts for transport damage. If you have any complaints, please contact your agent or customer service. |
|  | Differences These instructions apply to a range of models, so differences are possible. Sections that apply to certain models only are marked with an asterisk (*). |
|  | Instructions and results Instructions are marked with a ▶. Results are marked with a ▷. |
|  | Videos Videos about the appliances are available on the YouTube channels of Liebherr-Hausgeräte. |

Open source licences:

The appliance contains software components that use open source licences. Information on the open source licences used can be found here: home.liebherr.com/open-source-licences

1 General safety instructions

- Please keep this assembly manual in a safe place so you can refer back to it at any time.
- If you pass the appliance on, please hand this assembly manual to the next user.
- Read this assembly manual carefully before installation and use to ensure safe and correct use of the appliance. Follow the instructions, safety instructions and warning messages included at all times. They are important for ensuring you can operate and install the appliance safely and without any problems.
- First read the general safety instructions in the “General safety instructions” section of the **operating instructions**, which accompany these installation instructions, and follow them. If you cannot find the **operating instructions**, you can download the **operating instructions** from the internet by entering the service number at home.liebherr.com/fridge-manuals.

The service number can be found on the serial tag:



- Observe the warning messages and other detailed information in the other sections when installing the appliance:

| | | |
|--|---------|---|
| | DANGER | identifies a situation involving direct danger which, if not obviated, may result in death or severe bodily injury. |
| | WARNING | identifies a dangerous situation which, if not obviated, may result in death or severe bodily injury. |
| | CAUTION | identifies a dangerous situation which, if not obviated, may result in minor or medium bodily injury. |
| | NOTICE | identifies a dangerous situation which, if not obviated, may result in damage to property. |
| | Note | identifies useful instructions and tips. |

2 Installation requirements

The installation conditions are crucial to ensure that you can operate your appliance safely, efficiently and without problems.

- Observe all safety instructions.
- Consider the location and position in the room.

WARNING

- Danger of fire due to incorrect positioning!
If the mains cable or plug touches the back of the appliance, the vibration can damage the mains cable or the plug resulting in a short circuit.
- ▶ Make sure the mains cable is not trapped under the appliance when you position the appliance.
 - ▶ Stand the appliance so that it is not touched by connectors or main cables.
 - ▶ Do not connect any appliances to sockets in the area of the back of the appliance.
 - ▶ Do **not** place and operate multi-sockets/power distributors and other electronic devices (such as halogen transformers) at the back of the appliances.

WARNING

- Fire hazard due to dampness!
If live parts or the mains lead become damp this may cause short circuits.
- ▶ The appliance is designed for use in enclosed areas. Do not operate the appliance outdoors or in areas where it is exposed to splash water or damp conditions.

WARNING

- Leaking coolant and oil!
Fire. The coolant contained in the appliance is eco-friendly, but also flammable. The oil contained in the appliance is flammable. Escaping coolant and oil can ignite if the concentration is high enough and in contact with an external heat source.
- ▶ Do not damage the pipelines of the coolant circuit and the compressor.

2.1 Installation site

- Only set up and use the appliance in enclosed spaces.
- A dry and well-ventilated room is an optimum installation location.
- If the appliance is installed in a very damp environment, condensation may form on the appliance exterior. Always make sure there is good ventilation and aeration at the installation site.
- The more refrigerant there is in the appliance, the larger than room must be in which it is located. In rooms that are too small, a leak can produce a flammable gas/air mixture. For every 8 g of refrigerant, the installation room must be at least 1 m³ in size. Information on the refrigerant contained is given on the type plate inside the appliance.
- The floor on which the appliance stands must be horizontal and level.

2.2 Position in space

- Do not place the appliance in direct sunlight or near radiators or similar sources of heat.
- You can place the appliance directly next to an oven.
- If the appliance is placed directly next to an oven, the energy consumption may increase slightly. This is dependent on the service life and usage intensity of the oven.
- Always position the appliance with the rear directly against the wall, or with wall spacer brackets attached (see below) then with these directly against the wall.*
- Always position the appliance with the rear directly on the wall.*
- Use in hazardous areas is not permitted.

2.3 Integration into a kitchen unit

- You can convert the appliance with kitchen cabinets. (see 13 Integrating the appliance into a kitchen unit)

Installation dimensions

3 Installation dimensions

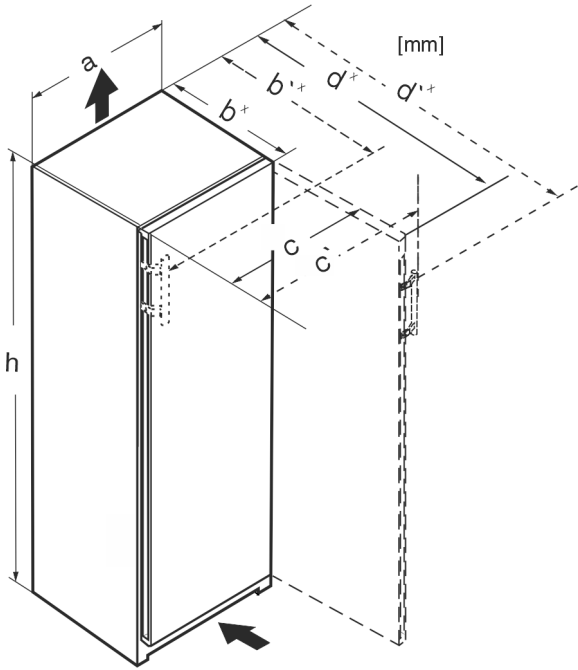


Fig. 1

| | h | a | b | b' | c | c' | d | d' |
|-------------------|------|-----|------------------|------------------|-----|-----|-------------------|-------------------|
| RB.. 4250 | 1255 | 597 | 675 ^x | 719 ^x | 609 | 654 | 1215 ^x | 1222 ^x |
| R.. 5250 | 1855 | 597 | 675 ^x | 719 ^x | 609 | 654 | 1215 ^x | 1222 ^x |
| SR(B).. 525.. (i) | 1855 | 597 | 675 ^x | 719 ^x | 609 | 654 | 1215 ^x | 1222 ^x |
| RB.. 528..(i) | 1855 | 597 | 675 ^x | – | 609 | – | 1217 ^x | – |
| SRB.. 528..(i) | 1855 | 597 | 675 ^x | – | 609 | – | 1217 ^x | – |
| SRB.. 529i | 1855 | 597 | 675 ^x | 719 ^x | 609 | 654 | 1215 ^x | 1222 ^x |
| SRB.. 526..(i) | 1855 | 597 | 675 ^x | 719 ^x | 609 | 654 | 1215 ^x | 1222 ^x |

^x For appliances with supplied wall spacers, the dimensions must be increased by 15 mm (see 8 Mounting wall spacers*).

4 Ventilation requirements

NOTICE

Danger of overheating due to insufficient air ventilation! The compressor may be damaged if there is insufficient air ventilation.

- ▶ Take care to ensure adequate air ventilation.
- ▶ Observe the ventilation requirements.

If the appliance is integrated into a kitchen unit, the following ventilation requirements must be observed:

- As a general rule: the larger the ventilation cross section, the more energy the appliance will be able to save.



Fig. 2*

| |
|------------|
| Wall gap A |
| 25 mm |

The energy consumption has been determined with a gap of Fig. 2 (A) between the rear of the appliance and the wall. If the wall gap is less than Fig. 2 (A), this does not affect the appliance's operability but the energy consumption does increase slightly at a smaller wall gap.

5 Connection dimensions for the power supply

The connection to the power supply is on the rear of the appliance. To connect your appliance safely, ensure that the following requirements are met:

- ❑ Dimensions for the connection to the power supply are known and are adhered to. See table below.
- ❑ Connection to the power supply according to the instructions. (see 16 Connecting the appliance to the power supply)

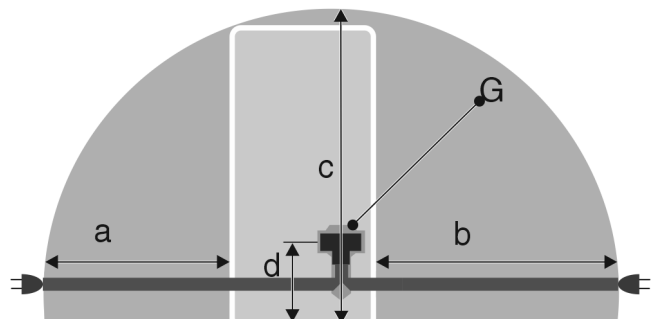


Fig. 3 Refrigerators

- (a) Maximum available length of the mains connection cable
- (b) Maximum available length of the mains connection cable
- (d) Gap between appliance plug and floor
- (G) Appliance plug

- (c) Maximum available vertical length of the mains connection cable

| For 600 mm wide appliances: | |
|-----------------------------|-----------|
| a | ~ 1350 mm |
| b | ~ 1800 mm |
| c | ~ 2050 mm |
| d | ~ 150 mm |

6 Transporting the appliance

6.1 Transporting the appliance for initial use

Ensure that the following requirements are met:

- The appliance is packaged.
- The appliance is upright.

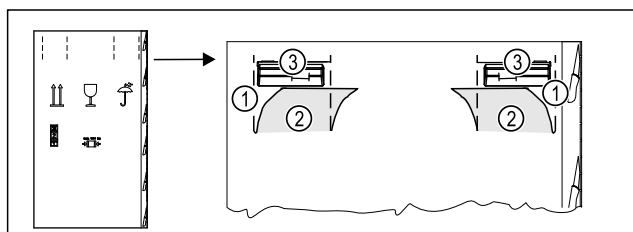


Fig. 4

- ▶ Press the packaging cardboard into the perforation Fig. 4 (1) at the top.
- ▶ Pull out any tabs Fig. 4 (2) that have been pushed in.
- ▶ Carrying handle Fig. 4 (3) visible on the right and left.
- ▶ Hold the appliance by the carrying handles Fig. 4 (3).
- ▶ Transport the appliance with the help of two people.
- ▶ Unpacking the appliance. (see 7 Unpacking the appliance)

6.2 Transporting the appliance after initial use

Observe the following instructions if you wish to transport or move the appliance again after initial use.

Ensure that the following requirements are met:

- The appliance is emptied.
- The appliance is upright.
- Appliance with door(s): Door is secured against accidental opening.
- Appliance with telescopic unit: The telescopic unit is secured against accidental opening.
- Appliance with adjustable feet: Adjustable feet are screwed in.
- ▶ Hold the appliance by the carrying handles.
- ▶ Transport the appliance with the help of two people.

After transport:

- ▶ Unscrew the adjustable feet on the appliance.
- ▶ Align the appliance. (see 10 Setting up the appliance so that it is level)

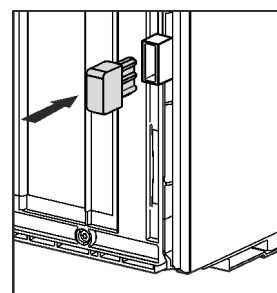
7 Unpacking the appliance

Before you connect the appliance, report any damage immediately to the delivery company.

- ▶ Check the appliance and the packaging for damage during transport. Contact the supplier immediately if you suspect any level of damage.
- ▶ Remove all materials from the back or the side walls of the appliance that may prevent proper installation or ventilation.
- ▶ Remove all protective films from the appliance. Do not use sharp or pointed objects for this.

8 Mounting wall spacers*

With wall spacers, your device achieves the declared energy consumption and no condensation forms in high ambient humidity. The device is fully functional without the spacer brackets, but its energy consumption will be slightly higher. If you insert the wall spacers, then the device depth increases by approx. 15 mm.*



- ▶ Appliance with enclosed wall spacers: Insert the wall spacers on the rear of the appliance at the bottom left and right.

9 Setting up the appliance



CAUTION

Risk of injury due to heavy appliance!

- ▶ Have two people transport the appliance to its installation site.



WARNING

Risk of fire due to short circuit!

- ▶ When you set the appliance up: do not kink, jam or damage the mains cable.
- ▶ The appliance must not be operated with a defective mains cable.



WARNING

Fire hazard and danger of damage!

- ▶ Do not place appliances emitting heat e.g. microwaves, toasters etc. on the appliance!

Ensure that the following conditions are met:

- Only move the device when it is not loaded.
- Only install the appliance with help.
- ▶ Remove the mains cable from the package.
- ▶ Plug the mains cable's IEC socket completely into the appliance plug on the back of the appliance. Ensure that the IEC socket is tight.
- ▶ Use a cord to lay the mains plug to a freely accessible socket if required.

Setting up the appliance so that it is level

10 Setting up the appliance so that it is level

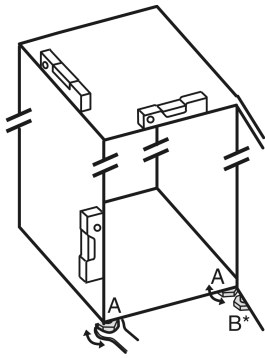


Fig. 5

- Unscrew the adjustable feet Fig. 5 (A) using the enclosed open-end spanner and a spirit level until the appliance is firmly aligned and level.



CAUTION

Risk of injury and damage due to the appliance tipping over! If the additional adjustable foot on the lower swap bearing block does not rest properly on the floor, the appliance may tip over. This can lead to property damage and injuries.

- Unscrew the additional adjustable foot on the swap bearing block as instructed.
- Unscrew the adjustable foot Fig. 5 (B) on the swap bearing block with the enclosed open-end spanner until it rests on the floor.
- Turn the adjustable foot Fig. 5 (B) 90° further.
- The appliance is aligned.

11 After setting up

- Remove all transport safety components.
- Take off the protective film from the exterior of the appliance.
- Take off the protective film from the trim panels.*
- Take off the protective film from the stainless steel rear panel.*
- Clean the appliance. (see operating instructions)
- Note the type (model, number), appliance designation, appliance/serial number, purchase date and dealer's address.

12 Installing multiple appliances

The appliances have been developed for different installation methods. If you wish to install several appliances next to each other or on top of each other, ensure that the following requirements are met:

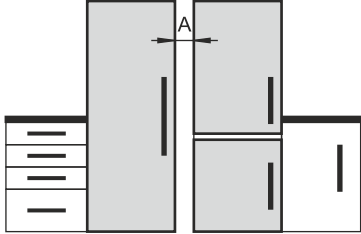
- Only install appliances next to or on top of each other if they have been developed for this.
- Observe notices and the following table.

NOTICE

Risk of damage due to condensate!

- Do not place the appliance directly next to another cooling/refrigeration unit.

| Model | Installation method |
|------------|---------------------|
| All models | Standalone |

| Model | Installation method |
|---|---|
| Models with a model designation starting with S... | Side-by-Side (SBS) |
| Models without side wall heating |  <p>Next to each other: Install with gap A of 70 mm between the appliances. If you do not comply with this gap, condensation will form on the side walls between the appliances.</p> <p>On an exterior wall: Install with gap A as with installation next to each other. If you do not comply with this gap, condensation may form on the appliance's side wall.</p> |

Models and their installation method

Assemble the appliances according to the separate installation instructions.

13 Integrating the appliance into a kitchen unit

The appliance can be integrated into a kitchen unit. Please observe the following installation conditions:

- If you fit a stacking cabinet above the appliance, you must allow for a ventilation cross-section with the appropriate depth at the rear of the stacking cabinet.
- If you place the appliance with the hinges next to a wall, you must take the distance to the side of the appliance into account.
- To ensure that the door can be opened fully, the appliance must protrude beyond the front thickness. Depending on the niche depth, the appliance may protrude further.

Note

A set for limiting the door opening angle to 90° can be obtained from customer service for appliances with soft closing.

Integrating the appliance into a kitchen unit



WARNING

Risk of fire due to short circuit!

- ▶ When you set the appliance up: do not kink, jam or damage the mains cable.
- ▶ The appliance must not be operated with a defective mains cable.

Ensure that the following requirements are met:

- ❑ The socket is easily accessible and is not behind the appliance.
- ❑ Ventilation requirements are met. (see 4 Ventilation requirements) .
- ❑ Connection dimensions are taken into account. (see 16 Connecting the appliance to the power supply)
- ❑ Wall spacers are fitted.*

13.1 Niche dimensions for appliances with recessed handles*

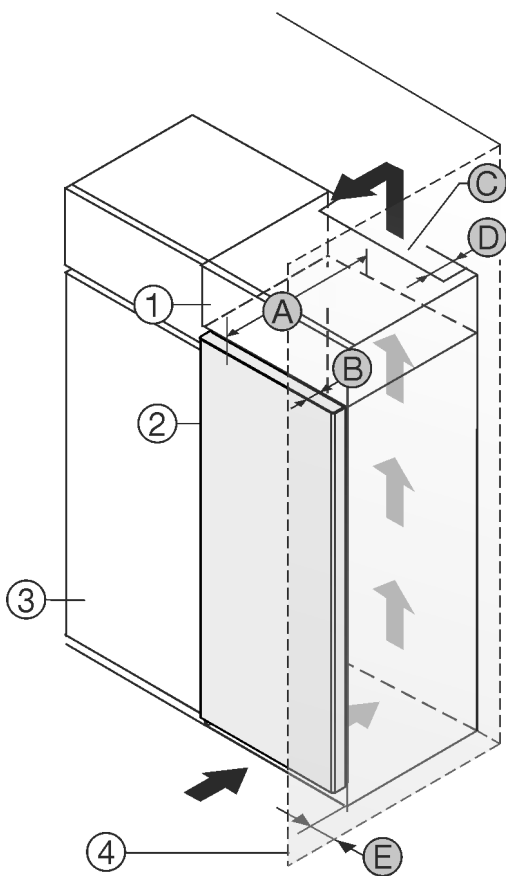


Fig. 6

- (1) Top Unit
- (2) Appliance
- (3) Kitchen cupboard
- (4) Wall
- (A) Appliance depth
- (B) Door depth
- (C) Ventilation cross-section
- (D) Distance from rear of the appliance
- (E) Distance to the side of the appliance

| Appliances with a recessed grip: | |
|----------------------------------|--------------------------|
| A | 675 mm ^x |
| B | 75 mm |
| C | min. 300 cm ² |
| D | min. 50 mm |
| E | min. 13 mm |

| Appliances with recessed handle and glass front / stone front: | |
|--|--------------------------|
| A | 682 mm ^x |
| B | 82 mm |
| C | min. 300 cm ² |
| D | min. 50 mm |
| E | min. 20 mm |

^x On devices with wall spacer brackets, this dimension increases by 15 mm.*

13.2 Niche dimensions for appliances with lever handle*

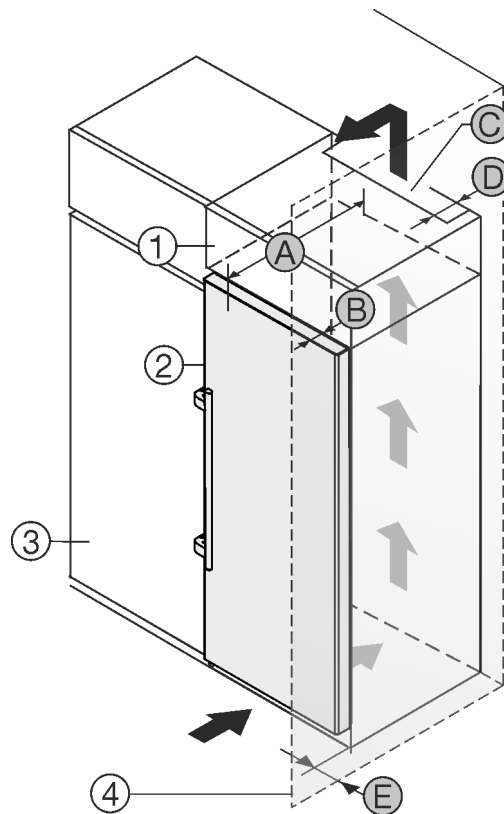


Fig. 7

- (1) Top Unit
- (2) Appliance
- (3) Kitchen cupboard
- (4) Wall
- (A) Appliance depth
- (B) Door depth
- (C) Ventilation cross-section
- (D) Distance from rear of the appliance
- (E) Distance to the side of the appliance

| Dimensions with lever handle: | |
|-------------------------------|--------------------------|
| A | 675 mm ^x |
| B | 75 mm |
| C | min. 300 cm ² |
| D | min. 50 mm |
| E | min. 57 mm |

^x On devices with wall spacer brackets, this dimension increases by 15 mm.*

Disposing of packaging

14 Disposing of packaging



WARNING

Danger of suffocation due to packing material and plastic film!

- ▶ Do not allow children to play with packing material.

The packaging is made of recyclable materials:

- corrugated board/cardboard
- expanded polystyrene parts
- polythene bags and sheets
- polypropylene straps
- nailed wooden frame with polyethylene panel*

- ▶ Take the packaging material to an official collecting point.

15 Door hinge change

Tools

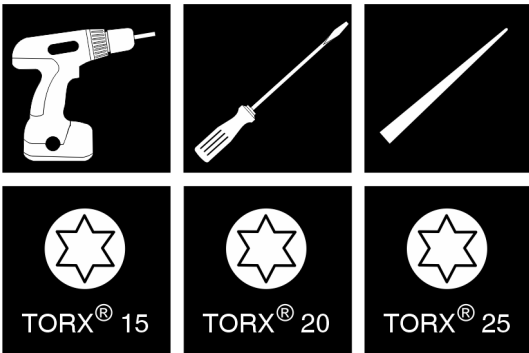


Fig. 8

NOTICE

Risk of damage due to door collision!
Damage to the appliances with Side-by-Side positioning. If you set up two appliances next to each other in a specific Side-by-Side arrangement, the door hinge of both appliances is preset at the factory.

- ▶ Side-by-Side positioning: Do not change the door hinge.

These sections apply for appliances **with a soft stop mechanism**:

- For appliances **with** a soft stop mechanism
- For all appliances

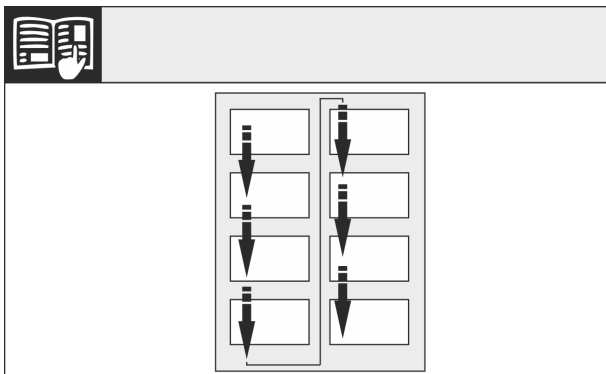


Fig. 9

Remember the reading direction.

15.1 Removing the soft stop mechanism

For appliances with a soft stop mechanism:

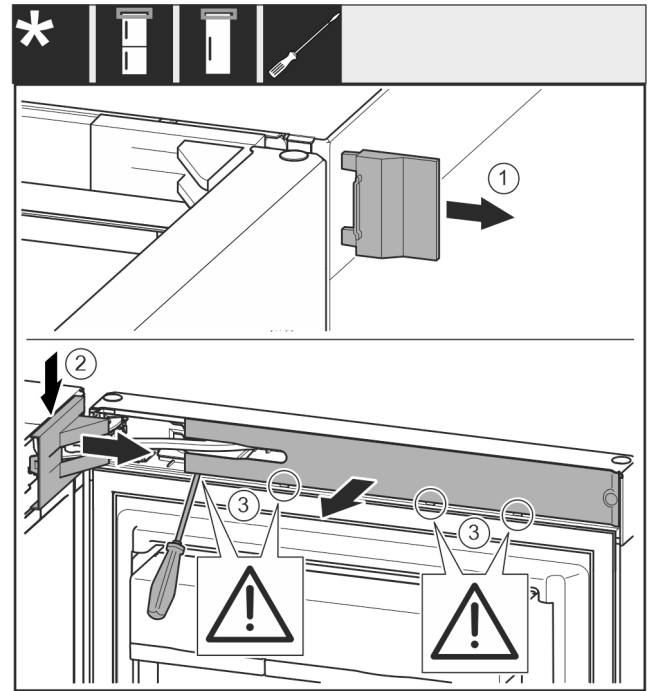


Fig. 10

- ▶ Open the door.

NOTICE

Risk of damage from screwdrivers!

If you damage the door seal, the door will not close properly resulting in inadequate cooling.

- ▶ Use a screwdriver carefully as an aid.
- ▶ Do not damage the door seal with the screwdriver.

- ▶ Remove cover Fig. 10 (1).
- ▶ Disengage and loosen the swap bearing block cover Fig. 10 (2).
- ▶ Remove the swap bearing block cover Fig. 10 (3).
- ▶ Use a slotted screwdriver to unlatch the trim Fig. 10 (3) and swing it to the side.

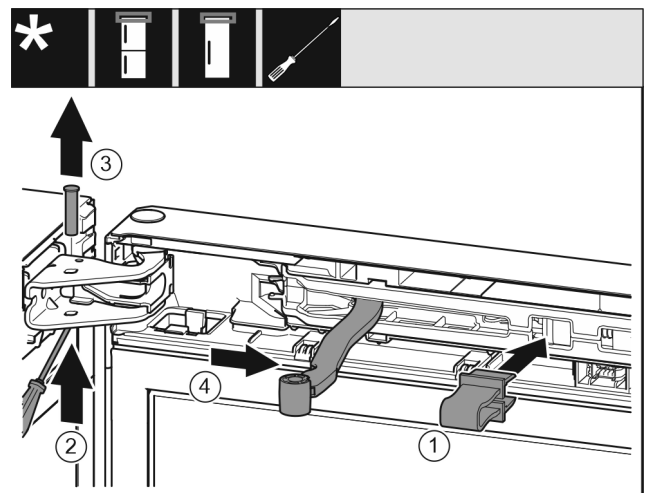


Fig. 11



CAUTION

Crushing hazard by joint folding up!

- ▶ Engage safety device.

- ▶ Latch safeguard Fig. 11 (1) into opening.
- ▶ Slide out the bolt Fig. 11 (2).
- ▶ Remove the bolt Fig. 11 (3) upwards.
- ▶ Turn the joint Fig. 11 (4) towards the door.

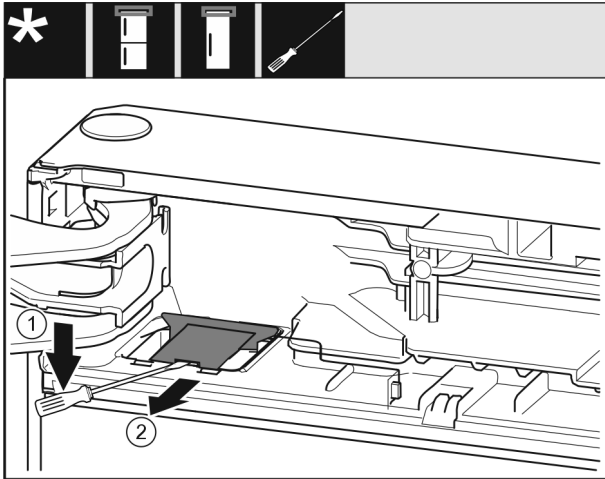


Fig. 12

- ▶ Use a flat-blade screwdriver to disengage the cover Fig. 12 (1).
- ▶ Remove the cover Fig. 12 (2).

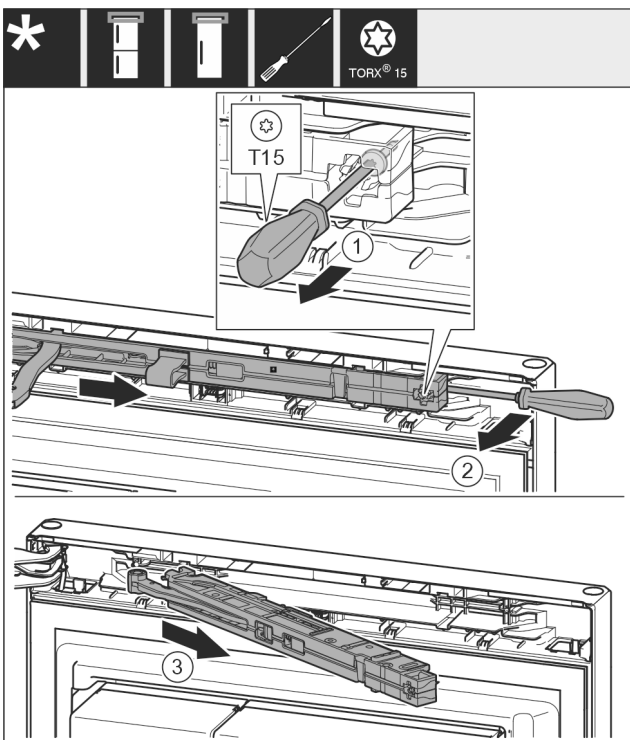


Fig. 13

- ▶ Use screwdriver to loosen the screw Fig. 13 (1) on the closing damper unit by 14 mm.
- ▶ Lever the closing damper unit Fig. 13 (2) forwards on the handle side using a screwdriver.
- ▶ Pull out the closing damper unit Fig. 13 (3).

15.2 Empty door racks

- ▶ Remove food from the door racks.
- ▶ Food does not fall out of the door when you remove the door.

15.3 Detaching the door

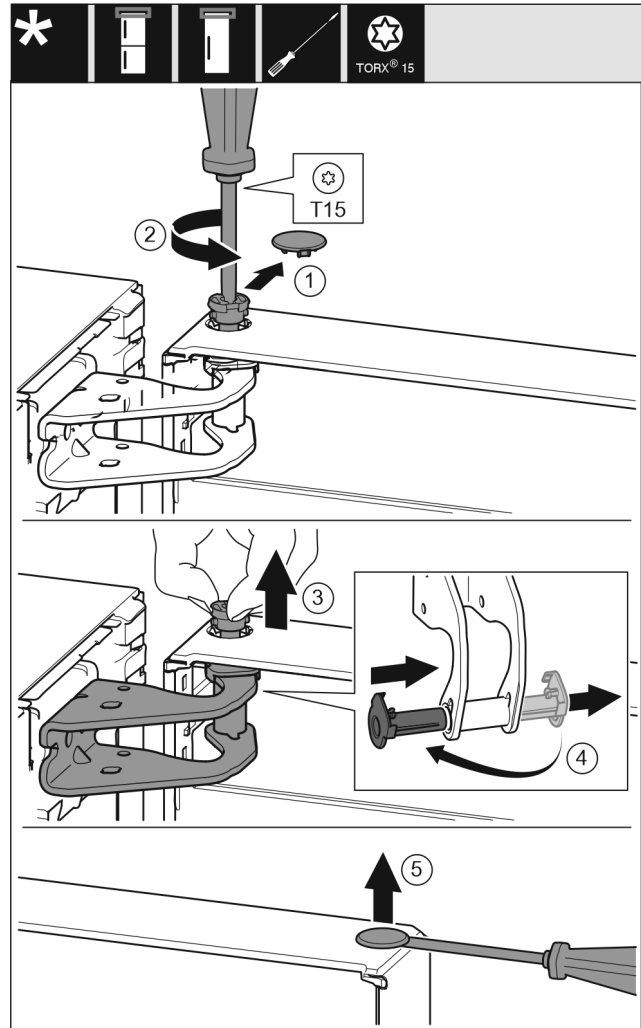


Fig. 14

- ▶ Carefully remove the cover (1).
- ▶ Use screwdriver to loosen the bolts (2) a little.



CAUTION

Danger of injury due to door tipping out!
If you remove the bolt on the door completely, the door may tilt out and you may injure yourself.

- ▶ Hold the door firmly before removing the bolt.
- ▶ Hold door in place.
- ▶ Pull out the bolt (3) with your fingers.
- ▶ Pull the bearing bush (4) out of the guide.
- ▶ Insert the bearing bush (4) on the other side and engage.
- ▶ Lift the door and put it to one side.
- ▶ Carefully lift and remove the cover (5) with a screwdriver.

Door hinge change

15.4 Relocating the upper bearing components

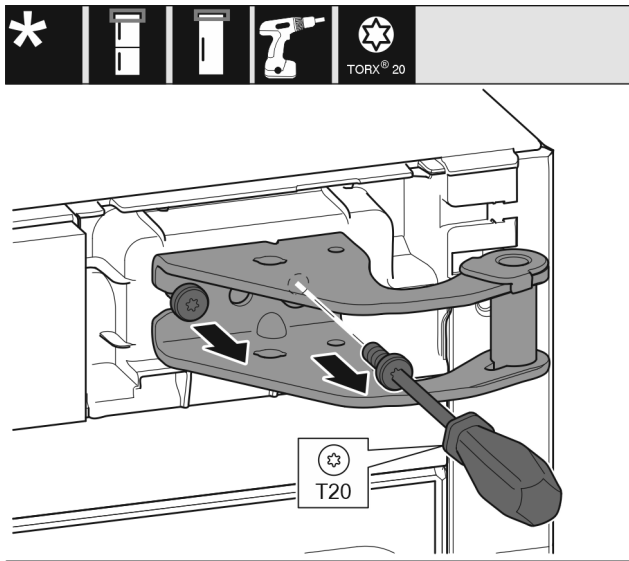


Fig. 15

- ▶ Unscrew the screws.
- ▶ Lift and remove the swap bearing block.



WARNING

Danger of injury due to door falling out!

If the bearing parts are not screwed on tightly enough, the door may fall out. This can result in serious injuries. In addition, the door may not close with the result that the appliance does not cool properly.

- ▶ Screw on the bearing brackets/bearing pins tightly with 4 Nm.
- ▶ Check all screws and retighten them if necessary.

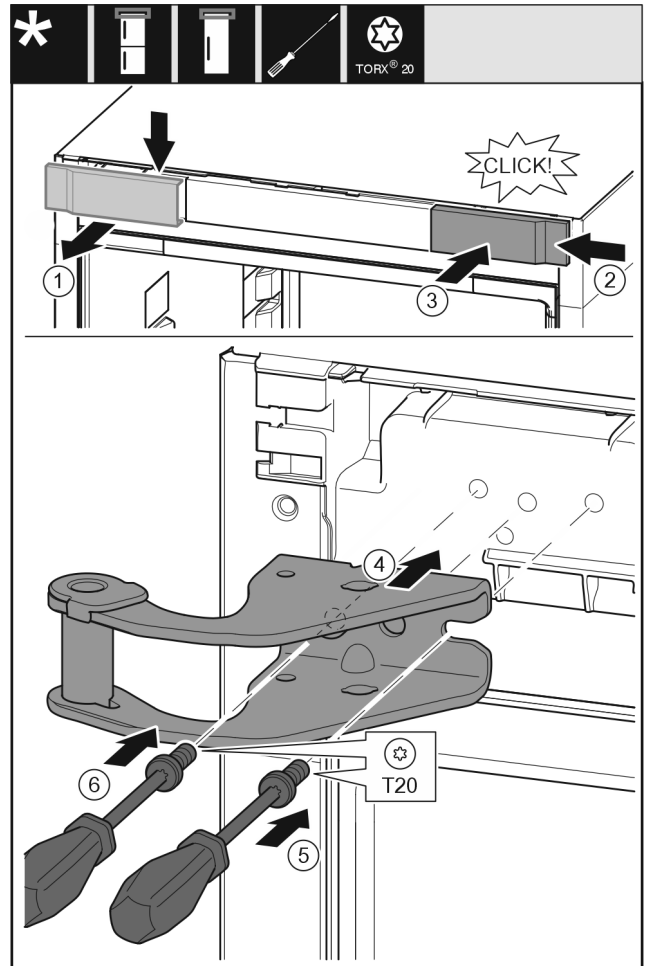


Fig. 16

- ▶ Remove the cover (1) from above towards the front.
- ▶ Turn the cover (2) by 180° and attach to the other side from the right.
- ▶ Engage the cover (3).
- ▶ Place the top swap bearing block (4).
- ▶ Screw the screw (5) tight.
- ▶ Screw the screw (6) tight.

15.5 Moving the lower bearing parts to the other side

For all appliances:



WARNING

Danger of injury due to door falling out!

If the bearing parts are not screwed on tightly enough, the door may fall out. This can result in serious injuries. In addition, the door may not close with the result that the appliance does not cool properly.

- ▶ Screw on the bearing brackets/bearing pins tightly with 4 Nm.
- ▶ Check all screws and retighten them if necessary.

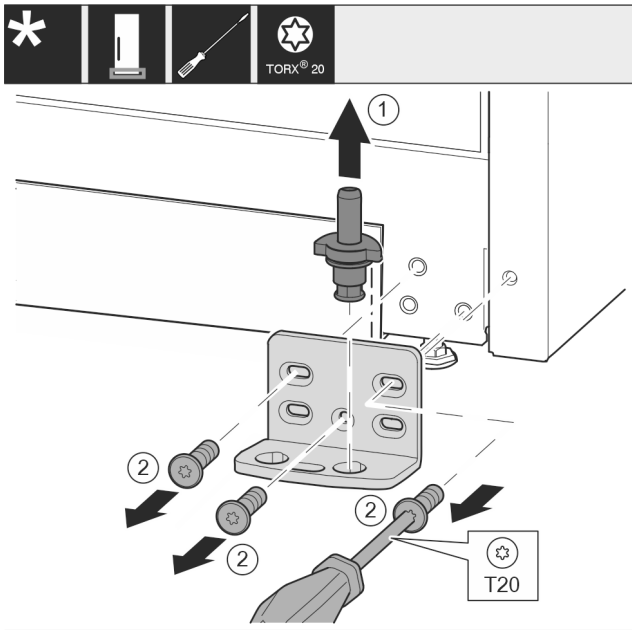


Fig. 17

- ▶ Pull the bearing bolt Fig. 17 (1) out upwards completely.
- ▶ Use screwdriver to unscrew the screws Fig. 17 (2) and remove the swap bearing block.

For all appliances:

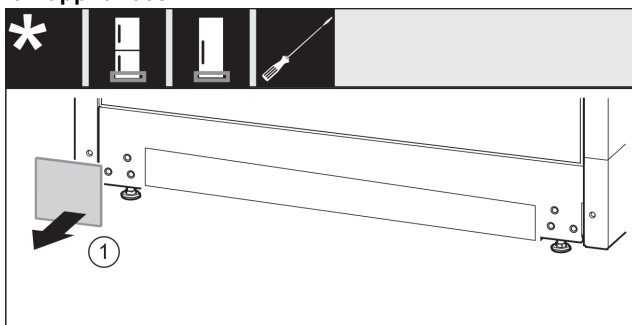


Fig. 18

- ▶ Remove cover Fig. 18 (1).

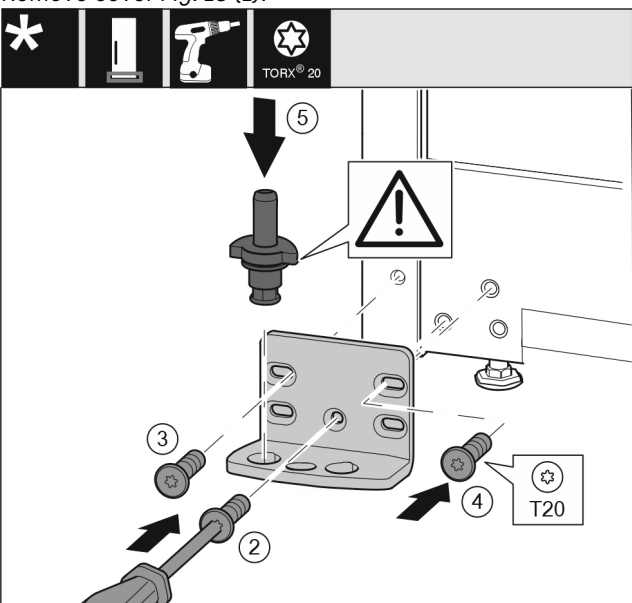


Fig. 19

- ▶ Place the swap bearing block on the other side and use a screwdriver to screw it on. Start with the screw Fig. 19 (2) at the bottom in the middle.
- ▶ Tighten screw Fig. 19 (3) and screw Fig. 19 (4).
- ▶ Insert the bearing bolt Fig. 19 (5) completely. Ensure that the latching cam is pointing towards the rear.

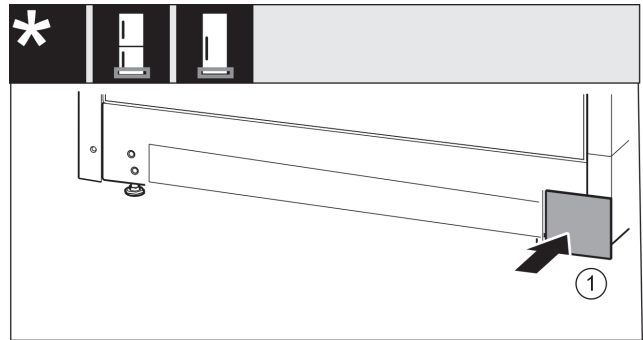


Fig. 20

- ▶ Re-attach the cover Fig. 20 (1) to the other side.

15.6 Moving the handles to the other side*

For all appliances:

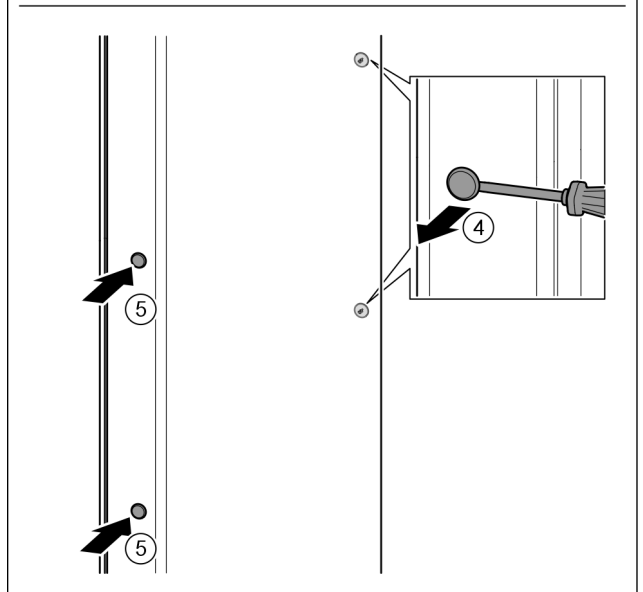
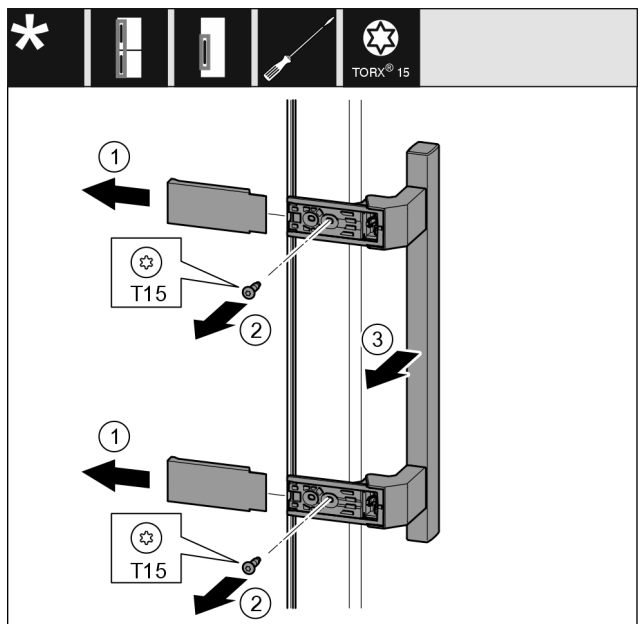


Fig. 21

- ▶ Remove the cover Fig. 21 (1).
- ▶ Unscrew screws Fig. 21 (2) with screwdriver.
- ▶ Remove the handle Fig. 21 (3).
- ▶ Use a slotted screwdriver to lift the side plug Fig. 21 (4) carefully and pull it out.

Door hinge change

- ▶ Re-insert the plug Fig. 21 (5) on the other side.

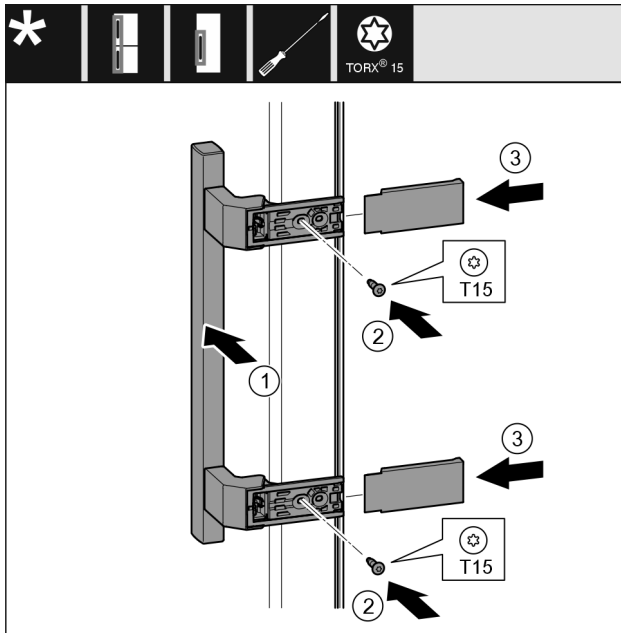


Fig. 22

- ▶ Place the handle Fig. 22 (1) on the opposite side.
- ▶ The screw holes must be exactly above each other.
- ▶ Tighten screws Fig. 22 (2) with screwdriver.
- ▶ Place the covers Fig. 22 (3) on the side and push them on.
- ▶ Ensure that they latch into place.

15.7 Fitting the door

- ▶ Place the door on the lower bearing pins.

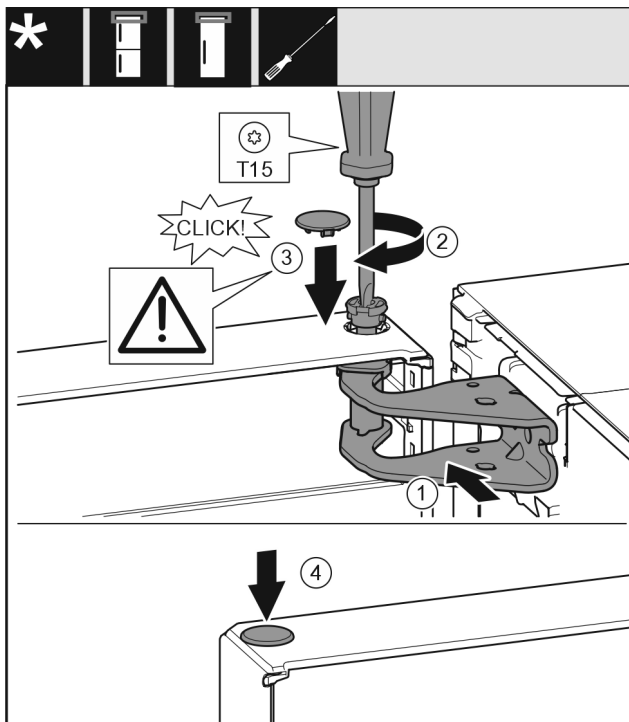


Fig. 23

- ▶ Align the top door with the opening in the swap bearing block Fig. 23 (1).
- ▶ Insert the bolt Fig. 23 (2) and use screwdriver to tighten it.
- ▶ Insert the cover Fig. 23 (3).
- ▶ Check that the cover Fig. 23 (3) is resting on the door.
- ▶ Insert the cover Fig. 23 (4).

15.8 Aligning the door

For all appliances:



WARNING

Danger of injury due to door falling out!

If the bearing parts are not screwed on tightly enough, the door may fall out. This can result in serious injuries. In addition, the door may not close with the result that the appliance does not cool properly.

- ▶ Screw the bearing brackets on firmly with 4 Nm.
- ▶ Check all screws and retighten them if necessary.
- ▶ Align the doors flush with the appliance housing using the two slots in the bearing bracket if needed. To do this undo the middle screw in the bottom bearing bracket with the T20 tool supplied. Undo the remaining screws a little with the T20 tool or with a T20 screwdriver and align using the slotted holes.
- ▶ Prop up the door: Take off the adjustable foot on the bearing bracket using the open-ended wrench SW10 until it comes into contact with the floor, then turn an additional 90°.

15.9 Appliances with closing damper: Fitting the closing damper

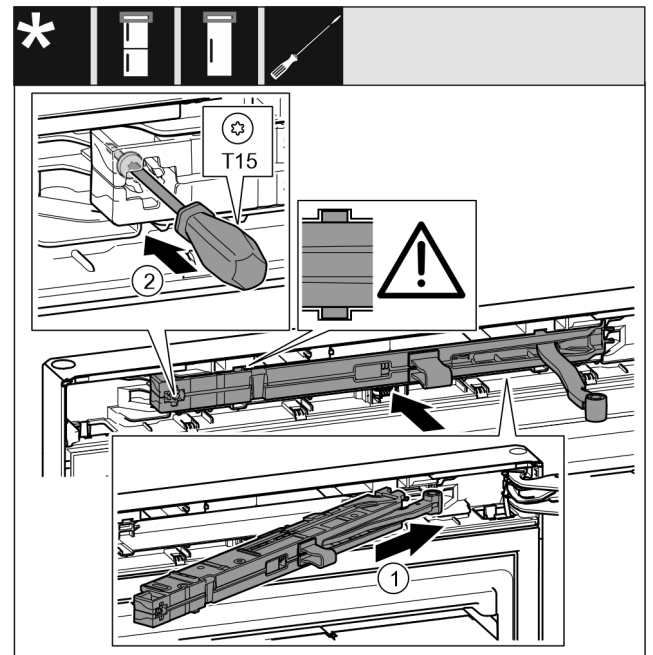


Fig. 24

- ▶ On the swap bearing block side, slide the closing damper unit Fig. 24 (1) into the recess at an angle up to the stop.
- ▶ Push the closing damper unit completely in.
- ▶ The closing damper unit is positioned correctly if the closing damper unit's rib is in the guide in the housing.
- ▶ Use a screwdriver to tighten the screw Fig. 24 (2).

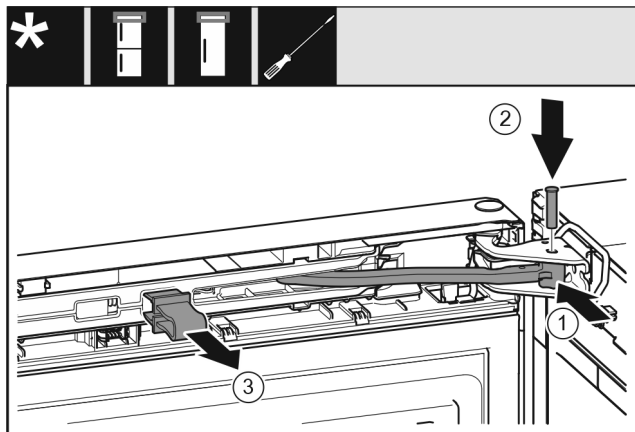


Fig. 25

The door is open 90°.

- ▶ Turn the joint Fig. 25 (1) in the bearing block.
- ▶ Insert the bolt Fig. 25 (2) into the bearing bracket and joint. Ensure that the latching cam is in the groove properly.
- ▶ Remove the safeguard Fig. 25 (3).

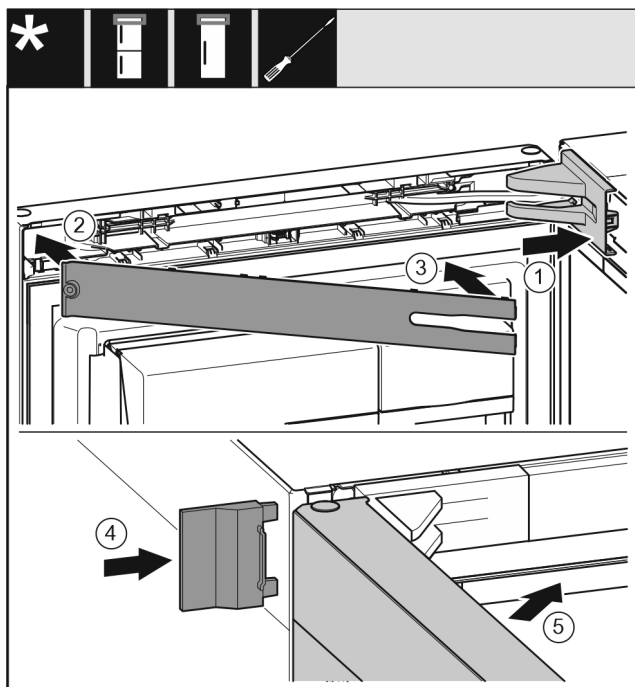


Fig. 26

- ▶ Put the swap bearing block cover Fig. 26 (1) on and engage, push apart carefully if required.
- ▶ Fit the trim Fig. 26 (2).
- ▶ Swivel in the cover Fig. 26 (3) and engage.
- ▶ Push the outer cover Fig. 26 (4) on.
- ▶ Close the upper door Fig. 26 (5).

16 Connecting the appliance to the power supply



WARNING

Danger of electric shock and injury due to damaged appliance or damaged mains cable!
 Danger of cuts and fatal injuries. If the appliance or the mains cable is damaged during transport, you may be electrocuted. You could also cut yourself on damaged parts of the appliance housing.

- ▶ Check the appliance and the mains cable for damage after transport.
- ▶ Never put the appliance into operation if the appliance or the mains cable are damaged.
- ▶ Contact Customer Service.

You can connect your appliance to the mains using the power cable supplied separately. The mains power cable has an appliance coupler at one end and a mains plug at the other end.

Make sure that the following requirements are fulfilled:

- The appliance and power cable are undamaged.
- The appliance is set up in accordance with the regulations. (see 8 Mounting wall spacers*)
- Requirements for the electrical connection are met.
- Dimensions for connection in accordance with regulations are known and observed. (see 5 Connection dimensions for the power supply)
- Mains voltage and frequency correspond to the specifications on the type plate.
- The socket is earthed according to the regulations and fused.
- The fuse tripping current is between 10 A and 16 A.
- The socket is easily accessible and is not behind the appliance. (see 5 Connection dimensions for the power supply)

NOTICE

Danger of damage to incorrect operation!
 Damage to the electrical components of the appliance.

- ▶ Only use the supplied mains cable.

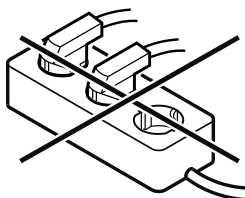


WARNING

Danger of fire due to incorrect connection!
 Burns.

Damage to the appliance.

- ▶ Do not use an extension cable.
- ▶ Do not use distributor blocks.



NOTICE

Danger of damage to incorrect connection!
 Damage to the appliance.

- ▶ Do not connect the appliance to a stand-alone inverter, e.g. solar power systems and petrol generators.

- ▶ Connect the mains cable plug to the power supply. Ensure that the plug is tightly in the socket.
- ▶ The Liebherr logo appears in the display.
- ▶ The display switches to the standby symbol.

Connecting the appliance to the power supply

- ▷ If no action occurs within 60 seconds: The standby symbol fades or disappears.
- ▷ The appliance is connected. For information regarding first use, see the following section or the operating instructions.



home.liebherr.com/fridge-manuals

EN Refrigerator

Issue date: 20260304

Part number index: 7086345-00

Liebherr-Hausgeräte Marica EOOD
Bezirk Plovdiv
4202 Radinovo
Bulgarien