
XCCsdh 5250

Side-by-Side combination
○ Prime

LIEBHERR

Freestanding



SCNsdh 5253

Fridge-freezer with EasyFresh and NoFrost

◊ Prime



← 60 →

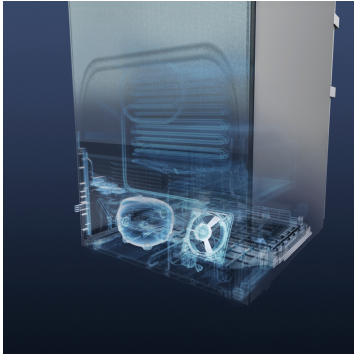


Energy consump. in 365 days/24 h	227 kWh ¹
Total volume	332 l ²
Noise output	33 dB(A)
Frequency / voltage	50-60 Hz / 220-240 V~
Connection Rating	1.4 A 183 W
Door / Side walls	SmartSteel / silver
Exterior dimensions in cm (h / w / d)	185.5 / 59.7 / 67.5 ¹
Controls	
Type of Control	2.4" TFT-colour display behind-the-door, touch- & swipe Digital temperature display for fridge and freezer compartments
Interface	SmartDeviceBox: optional accessory (Only available in selected countries)
Door alarm	visual and acoustic
Alarm in case of malfunction	visual and acoustic
Fridge compartment	
Forced air system	PowerCooling with FreshAir activated charcoal filter
Door interior	GlassLine storage shelves with bottle holder, removable VarioBoxes, adjustable egg tray
VarioSafe	yes
Bottle shelf	Bottle shelf
Interior light	LED light panel, both sides
Fruit and vegetable bins	1 EasyFresh Safe on telescopic rails
Freezer compartment	
Star coding	****
Interior light	LED lighting
Number of drawers	3 drawers, VarioSpace
Features	
Side-by-Side concept	Side wall heating right, suitable for combination with other refrigerators, freezers and/or wine appliances
Door hinges	Reversible door hinge, left
Replaceable door seal	yes
EAN-Nr.	4016803136774

¹ To achieve the indicated energy consumption level, the wall spacers provided with the appliance must be used. These increase the appliance depth by approximately 1.5 cm. If the wall spacers are not used, the appliance will remain fully functional, but will have a slightly higher energy consumption level.

² In accordance with Regulation EU 2019/2016 we indicate the total volume to the nearest integer (rounded off) and the volume of the frozen compartments and refrigeration compartments to one place after the decimal point.

Features



BluPerformance

Offering even more interior capacity for food storage, economy and energy efficiency, quiet operation, ease-of-use and exceptional design: Liebherr's BluPerformance appliances set both a new direction in refrigeration and freezing, and new benchmarks.



EasyFresh

The guarantee of market freshness in the home is our EasyFresh-Safe. Whether it's unpackaged vegetables or fruit, this ensures optimal storage for everything. Thanks to the air-tight closure, the food causes the humidity in the safe to rise. This keeps the food fresh for a long time.



DuoCooling

DuoCooling uses two completely separate refrigeration circuits to ensure no air is exchanged between the fridge and freezer compartments. The food neither dries out nor is odour transferred. This means throwing less away, shopping less often, but saving more and greater enjoyment.



NoFrost

When you open your freezer, you want to see frozen food – and certainly not ice and frost. NoFrost protects the freezer compartment from unwanted icing, which consumes a lot of energy and can be expensive. NoFrost means no more tedious and time-consuming defrosting of the freezer compartment, more time for other things – and saving money.



SmartSteel

Thanks to its SmartSteel surface, the purist design language of the appliance is the perfect accent to any kitchen. The horizontal polish brings out the stainless steel and gives it a silky sheen and a pleasant feel. The special coating minimises fingerprints and makes the surface insensitive to scratches. So nothing disturbs the high-quality exterior.



VarioTemp

Enjoy total flexibility in food storage with VarioTemp. You can set the freezer compartment between -15 °C and -26 °C, or convert it to a fridge or cellar compartment when additional cooling space is required, with an adjustable temperature range from -2 °C to +14 °C. If you don't need the freezer compartment at all, simply switch it off independently of the fridge to save energy and money.

SCNsdh 5253

Fridge-freezer with EasyFresh and NoFrost

◊ Prime



← 60 →



Energy consump. in 365 days/24 h	227 kWh ¹
Total volume	332 l ²
Noise output	33 dB(A)
Frequency / voltage	50-60 Hz / 220-240 V~
Connection Rating	1.4 A 183 W
Door / Side walls	SmartSteel / silver
Exterior dimensions in cm (h / w / d)	185.5 / 59.7 / 67.5 ³

Controls

Type of Control	2.4" TFT-colour display behind-the-door, touch- & swipe Digital temperature display for fridge and freezer compartments
-----------------	--

Interface	SmartDeviceBox: optional accessory (Only available in selected countries)
-----------	--

Door alarm	visual and acoustic
------------	---------------------

Alarm in case of malfunction	visual and acoustic
------------------------------	---------------------

Fridge compartment

Forced air system	PowerCooling with FreshAir activated charcoal filter
-------------------	--

Door interior	GlassLine storage shelves with bottle holder, removable VarioBoxes, adjustable egg tray
---------------	--

VarioSafe	yes
-----------	-----

Bottle shelf	Bottle shelf
--------------	--------------

Interior light	LED light panel, both sides
----------------	-----------------------------

Fruit and vegetable bins	1 EasyFresh Safe on telescopic rails
--------------------------	--------------------------------------

Freezer compartment

Star coding	****
-------------	------

Interior light	LED lighting
----------------	--------------

Number of drawers	3 drawers, VarioSpace
-------------------	-----------------------

Features

Side-by-Side concept	Side wall heating left, suitable for combination with other refrigerators, freezers and/or wine appliances
----------------------	--

Door hinges	Reversible door hinging, right
-------------	--------------------------------

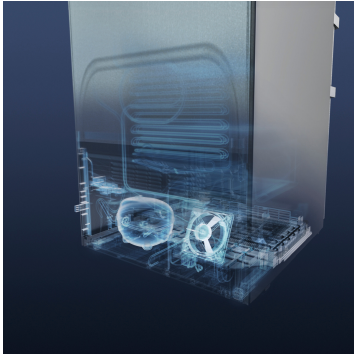
Replaceable door seal	yes
-----------------------	-----

EAN-Nr.	4016803136750
---------	---------------

¹ To achieve the indicated energy consumption level, the wall spacers provided with the appliance must be used. These increase the appliance depth by approximately 1.5 cm. If the wall spacers are not used, the appliance will remain fully functional, but will have a slightly higher energy consumption level.

² In accordance with Regulation EU 2019/2016 we indicate the total volume to the nearest integer (rounded off) and the volume of the frozen compartments and refrigeration compartments to one place after the decimal point.

Features



BluPerformance

Offering even more interior capacity for food storage, economy and energy efficiency, quiet operation, ease-of-use and exceptional design: Liebherr's BluPerformance appliances set both a new direction in refrigeration and freezing, and new benchmarks.



EasyFresh

The guarantee of market freshness in the home is our EasyFresh-Safe. Whether it's unpackaged vegetables or fruit, this ensures optimal storage for everything. Thanks to the air-tight closure, the food causes the humidity in the safe to rise. This keeps the food fresh for a long time.



DuoCooling

DuoCooling uses two completely separate refrigeration circuits to ensure no air is exchanged between the fridge and freezer compartments. The food neither dries out nor is odour transferred. This means throwing less away, shopping less often, but saving more and greater enjoyment.



NoFrost

When you open your freezer, you want to see frozen food – and certainly not ice and frost. NoFrost protects the freezer compartment from unwanted icing, which consumes a lot of energy and can be expensive. NoFrost means no more tedious and time-consuming defrosting of the freezer compartment, more time for other things – and saving money.



SmartSteel

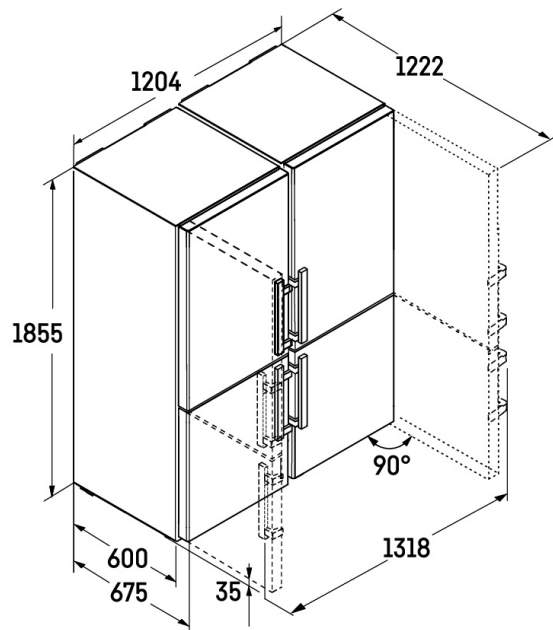
Thanks to its SmartSteel surface, the purist design language of the appliance is the perfect accent to any kitchen. The horizontal polish brings out the stainless steel and gives it a silky sheen and a pleasant feel. The special coating minimises fingerprints and makes the surface insensitive to scratches. So nothing disturbs the high-quality exterior.



VarioTemp

Enjoy total flexibility in food storage with VarioTemp. You can set the freezer compartment between -15 °C and -26 °C, or convert it to a fridge or cellar compartment when additional cooling space is required, with an adjustable temperature range from -2 °C to +14 °C. If you don't need the freezer compartment at all, simply switch it off independently of the fridge to save energy and money.

Technical drawing



Products and their details are staged for advertising purposes. Whilst every effort is made to ensure all specifications and information in this flyer are accurate, Liebherr reserves the right to make changes without notification. Where actual appliance measurements, specifications, and ratings are crucial, we recommend that the actual appliance installation instructions that accompany each appliance be checked. Liebherr will not be liable for any damage. (24.10.2025)

