



User Guide

Quality, Design and Innovation








home.liebherr.com/fridge-manuals



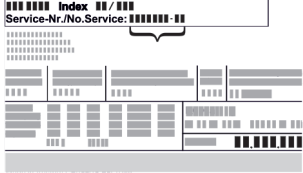






LIEBHERR

General safety instructions

Contents

1	General safety instructions.....	2	12	Disposal.....	22
2	Appliance at a glance.....	4	12.1	Preparing appliance for disposal.....	22
2.1	Scope of supply.....	4	12.2	Disposing of the appliance in an environmentally friendly manner.....	22
2.2	Overview of the appliance and equipment.....	4	13	Additional information.....	23
2.3	Special features.....	4	The manufacturer is continually working on the further development of all types and models. Please be aware that we reserve the right to make changes to the shape, equipment and technology.		
2.4	Range of use of appliance.....	4			
2.5	Appliance noise emissions.....	5			
2.6	Conformity.....	5			
2.7	SVHC substances according to REACH regulation.....	5			
3	Setting up and connecting.....	5			
3.1	Installation requirements.....	5			
3.2	Appliance dimensions.....	6			
3.3	Transporting the appliance.....	6			
3.4	Unpacking appliance.....	6			
3.5	Swapping the door hinge side.....	6			
3.6	Aligning the door.....	9			
3.7	Installing appliance.....	9			
3.8	Installing multiple appliances.....	10			
3.9	Sliding the appliance under a worktop.....	10			
3.10	After installation.....	10			
3.11	Disposing of packaging.....	10			
3.12	Connecting the appliance to the power supply.....	10			
4	Functionality of the display.....	11			
4.1	Navigation by touchbutton and symbol explanation.....	11			
4.2	Menus.....	11			
5	Putting into operation.....	13			
5.1	Switching on device (first use).....	13			
6	Storage.....	13			
6.1	Information regarding storage.....	13			
7	Controls.....	13			
7.1	Operating controls and display elements.....	13			
7.1.1	Temperature display/Status indicator.....	13			
7.1.2	LED behaviour.....	14			
7.1.3	Audible signals.....	14			
7.2	Appliance functions.....	14			
7.2.1	Notes on the appliance functions.....	14			
	Switching the appliance off and on.....	14			
	Temperature.....	15			
	Input lock.....	15			
7.2.5	WLAN/LAN.....	15			
	Demo mode.....	16			
	Resetting to factory settings.....	17			
7.3	Messages.....	17			
7.3.1	Ending messages.....	17			
8	Features.....	18			
8.1	Safety lock.....	18			
8.2	Sensors.....	18			
9	Maintenance.....	18			
9.1	Maintenance schedule.....	18			
9.2	Defrosting appliance.....	19			
9.3	Cleaning the appliance.....	20			
10	Customer help.....	20			
10.1	Technical specifications.....	20			
10.2	Technical fault.....	21			
10.3	Customer Service.....	21			
10.4	Type plate.....	22			
11	Shutting down.....	22			

Symbol	Explanation
	Read instructions Please read the information in these instructions carefully to understand all of the benefits of your new appliance.
	Additional information on the Internet The digital manual with additional information and in other languages can be found via the QR code on the front of the manual or by entering the service number at home.liebherr.com/fridge-manuals . The service number can be found on the serial tag:  <i>Fig. Example illustration</i>
	Check appliance Check all parts for transport damage. If you have any complaints, please contact your agent or customer service.
	Differences These instructions apply to a range of models, so differences are possible. Sections that apply to certain models only are marked with an asterisk (*).
	Instructions and results Instructions are marked with a ▶. Results are marked with a ▷.
	Videos Videos about the appliances are available on the YouTube channels of Liebherr-Hausgeräte.

Open source licences:

The appliance contains software components that use open source licences. Information on the open source licences used can be found here: home.liebherr.com/open-source-licences

These operating instructions apply to:

SFC.. 801

1 General safety instructions

Please keep these operating instructions in a safe place so you can refer back to them at any time.

If you pass the appliance on, please hand these operating instructions to the next user.

Read these operating instructions carefully before use to ensure safe and correct use of the appliance. Follow the instructions, safety instructions and warning messages included at all times. They are important for ensuring you can operate and install the appliance safely and without any problems.

Danger for the user:

- This appliance may only be used by specialist and laboratory personnel who have been trained for this purpose and are familiar with all safety measures pertaining to laboratory work. Children and persons with reduced physical, sensory or mental capabilities or lack of experience and knowledge must not commission or operate this appliance.
- The socket must be easily accessible so that the appliance can be disconnected quickly from the electricity supply in an emergency. It must not be located in the area behind the appliance.
- When disconnecting the appliance from the supply, always take hold of the plug. Do not pull the cable.
- In the event of a fault pull out the mains plug or deactivate the fuse.
- **WARNING:** Do not damage the mains power cable. Do not operate the appliance with a defective mains power cable.
- **WARNING:** Multiple sockets/distributors and other electronic equipment (such as halogen transformers) must not be placed or operated at the rear of the appliance.
- **WARNING:** Keep ventilation openings, in the appliance enclosure or in the built-in structure, clear of obstruction.
- Only customer service or other specially trained staff may repair or perform other operations on the appliance.
- Only assemble, connect and dispose of the appliance according to the instructions.

Fire hazard

- The coolant used (information on the model plate) is ecofriendly but also flammable. Any leaking coolant may ignite.
 - **WARNING:** Do not damage refrigeration circuit.
 - Do not handle ignition sources inside the appliance.
 - **WARNING:** Do not use electrical appliances in the fridge compartment which do not comply with the design recommended by the manufacturer.
 - If the refrigerant leaks: remove any naked flames or ignition sources from the vicinity of the leakage point. Properly air the room. Inform customer services.
- Do not operate the appliance close to explosive gases.
- Do not store or use petrol or other flammable gases and liquids close to the appliance.
- Do not store any explosive substances, such as aerosol containers with flammable propellant gas, in the appliance. To identify these spray cans, look for the list of contents printed on the can, or a flame symbol. Gases possibly escaping may ignite due to electrical components.
- Keep burning candles, lamps and other items with naked flames away from the appliance so that they do not set the appliance on fire.
- Alcoholic liquids or other containers with alcohol inside must only be stored tightly sealed. Any alcohol that leaks out may be ignited by electrical components.

Danger of tipping and falling:

- Do not misuse the plinth, drawers, doors etc. as a step or for support.

Danger of frostbite, numbness and pain:

- Avoid prolonged skin contact with cold surfaces or refrigerated/frozen goods or take protective measures, e.g. wear gloves.

Danger of injury and damage:

- **WARNING:** Do not use mechanical equipment or other methods to speed up the defrosting process other than those recommended by the manufacturer.
- **WARNING:** Risk of injury due to electric shock! There are live electrical parts under the cover. Only have the LED interior lighting replaced or repaired by customer service or other suitably trained professionals.
- **NOTICE:** Appliance must only be used using original manufacturer accessories or using accessories from other providers approved by the manufacturer. The user bears the risk of using accessories which are not approved.

Risk of crushing

- Do not hold the hinge when opening and closing the door. Fingers may get caught.

Specialist personnel qualifications:

The appliance may only be installed, tested, maintained, and commissioned by specialist personnel who are familiar with the installation, commissioning, and operation of the appliance. Specialist personnel are persons who, on account of their specialist training, knowledge and experience as well as their knowledge of the relevant standards, are able to assess and perform the work assigned to them and identify potential hazards. They must have training, instruction, and authorisation to work on the appliance.

Symbols on the appliance:



This symbol may be located on the compressor. It relates to the oil in the compressor and makes reference to the risk that: **Swallowing or inhaling can be fatal.** This advice is only relevant to recycling. There is no danger in normal operation.



WARNING: Danger of fire / flammable materials. This symbol is located on the compressor and indicates the danger of flammable materials. Do not remove the sticker.



This or a similar sticker may be located on the rear of the appliance. This sticker indicates that there are vacuum insulation panels (VIP) or perlite panels in the door and/or housing. This advice is only relevant to recycling. Do not remove the sticker.



WARNING: Cold surface! Only touch with suitable hand protection. This or similar sticker may be on the appliance and indicates the danger of frostbite.

Please note the warning messages and other specific advice in the other chapters:

	DANGER	Indicates an immediately hazardous situation which will lead to death or serious injuries if it is not avoided.
	WARNING	Indicates a hazardous situation which will lead to death or serious injuries if it is not avoided.
	CAUTION	Indicates a hazardous situation which will lead to minor or moderate injuries if it is not avoided.

Appliance at a glance

NOTICE	Indicates a hazardous situation which may lead to damage to property if it is not avoided.
Note	Indicates useful instructions and tips.

2 Appliance at a glance

2.1 Scope of supply

Check all parts for transport damage. If you have any complaints, please contact your dealer or Customer Service. (see 10.3 Customer Service)

The delivery comprises the following parts:

- Free-standing appliance
- Equipment *
- Installation materials *
- Operating instructions
- Service brochure
- Quality certificate *
- Mains cable

2.2 Overview of the appliance and equipment

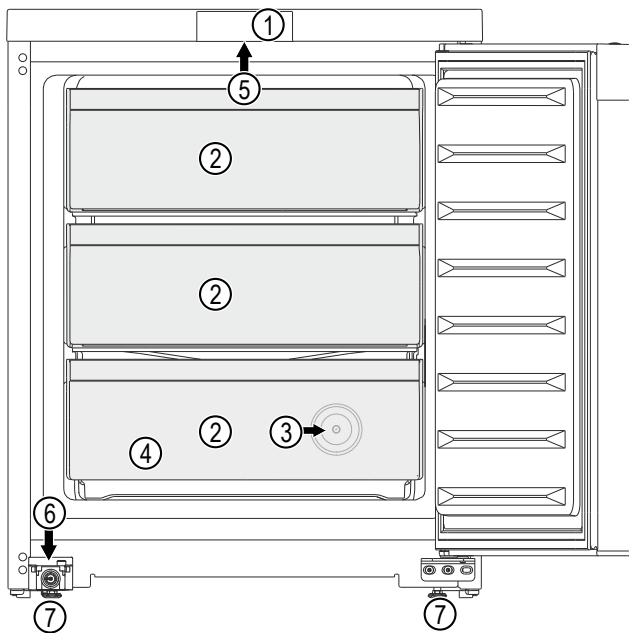


Fig. 1 Example illustration

Equipment

- | | |
|---------------------------------|---------------------|
| (1) Controls | (5) Lighting |
| (2) Freezer drawer | (6) Lock |
| (3) Sensor feedthrough P-sensor | (7) Adjustable foot |
| (4) Type plate | |

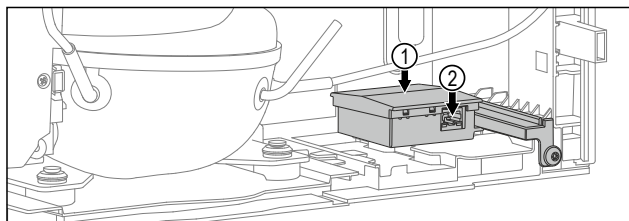


Fig. 2 Example illustration, rear end

Equipment

- (1) Housing for the slot of the SmartModules (2) LAN interface

2.3 Special features

Note

You can obtain accessories from customer service (see 10.3 Customer Service) or from specialised dealers via the dealer search on our service page on the Internet:

home.liebherr.com

SmartModule

The appliance can be equipped with a SmartModule. It is a WLAN and LAN interface for the connection between the appliance and an external documentation and alarm system such as Liebherr SmartMonitoring dashboard.

Liebherr SmartMonitoring dashboard is not available in all countries. Check availability via the QR code (see 7.2.5 WLAN/LAN) by entering your model.

Retrofitting drawers

When retrofitting drawer systems in Liebherr refrigerators/freezers that are used to store temperature-sensitive materials such as medicines requiring refrigeration and refrigerated goods that are subject to special standard requirements, a temperature qualification is required. Retrofitting drawers in Liebherr refrigerators/freezers can lead to spoilage of the stored goods or damage to the stored goods. Therefore, retrofitting must only be carried out by authorised service providers of the refrigerator/freezer manufacturer.

2.4 Range of use of appliance

Intended use

This laboratory freezer is suitable for the professional storage of products at temperatures between -12 °C and -28 °C.

Typical products to be stored include research samples, reagents, laboratory inventory etc.

The storage of temperature-sensitive substances requires the use of an independent, continuous monitoring alarm system. This alarm system must be designed in such a way that a responsible person can register any alarm status so that appropriate action can be taken.

Foreseeable incorrect use

Do not use the appliance for the following applications:

- Storage and refrigeration of:
 - Chemically unstable, flammable or corrosive substances
 - Blood, plasma or other body fluids for the purpose of infusion, application or introduction in the human body.
- Use in potentially explosive atmospheres.
- Use outdoors or in areas exposed to dampness and splashing water.
- Use in residential areas because adequate protection of radio reception cannot be ensured in such environments.*

Improper use of the appliances will result in goods stored being damaged or spoiled.

Climate classes

The applicable climate class for your appliance is printed on the type plate.

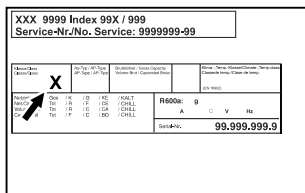


Fig. 3 Type plate

(X) This climate class indicates the ambient conditions in which the appliance can be safely operated.

Climate class (X)	max. room temperature	max. rel. humidity
7	35 °C	75%

Note

The minimum permitted room temperature at the setup location is 10 °C.

2.5 Appliance noise emissions

The A-weighted emission sound pressure level during operation of the appliance is under 70 dB(A) (sound power rel. 1 pW).

2.6 Conformity

The coolant circuit has been tested for leak-tightness. The appliance complies with the relevant safety regulations.

The designated product complies with the provisions of the following European directives and regulations:

(EU) 2019/2020, 2014/35/EU, 2014/30/EU, 2011/65/EU

The full text of the EU Declaration of Conformity is available at the following web address: www.liebherr.de

2.7 SVHC substances according to REACH regulation

You can check whether your appliance contains SVHC substances according to REACH regulation at the following link: <https://go.liebherr.com/z3eewm>

3 Setting up and connecting

3.1 Installation requirements

The installation conditions are crucial to ensure that you can operate your appliance safely, efficiently and without problems.

- Observe all safety instructions.
- Consider the location and position in the room.



WARNING

Danger of fire due to incorrect positioning!

If the mains cable or plug touches the back of the appliance, the vibration can damage the mains cable or the plug resulting in a short circuit.

- ▶ Make sure the mains cable is not trapped under the appliance when you position the appliance.
- ▶ Stand the appliance so that it is not touched by connectors or main cables.
- ▶ Do not connect any appliances to sockets in the area of the back of the appliance.
- ▶ Do **not** place and operate multi-sockets/power distributors and other electronic devices (such as halogen transformers) at the back of the appliances.



WARNING

Fire hazard due to dampness!

If live parts or the mains lead become damp this may cause short circuits.

- ▶ The appliance is designed for use in enclosed areas. Do not operate the appliance outdoors or in areas where it is exposed to splash water or damp conditions.



WARNING

Leaking coolant and oil!

Fire. The coolant contained in the appliance is eco-friendly, but also flammable. The oil contained in the appliance is flammable. Escaping coolant and oil can ignite if the concentration is high enough and in contact with an external heat source.

- ▶ Do not damage the pipelines of the coolant circuit and the compressor.

3.1.1 Installation site

- A dry and well-ventilated room is an optimum installation location.
- If the appliance is installed in a very damp environment, condensation may form on the appliance exterior. Always make sure there is good ventilation and aeration at the installation site.
- The more refrigerant there is in the appliance, the larger the room must be in which it is located. In rooms that are too small, a leak can produce a flammable gas/air mixture. For every 8 g of refrigerant, the installation room must be at least 1 m³ in size. Information on the refrigerant contained is given on the type plate inside the appliance.
- The floor on which the appliance stands must be horizontal and level.
- The site of use must be able to bear the weight of the device including the maximum load. (see 10.1 Technical specifications)
- Do not place the appliance on another appliance, a worktop, a cupboard or similar.

3.1.2 Position in space

- Do not place the appliance in direct sunlight or near radiators or similar sources of heat.
- Always position the appliance with the rear directly on the wall.
- Use in hazardous areas is not permitted.

Setting up and connecting

3.2 Appliance dimensions

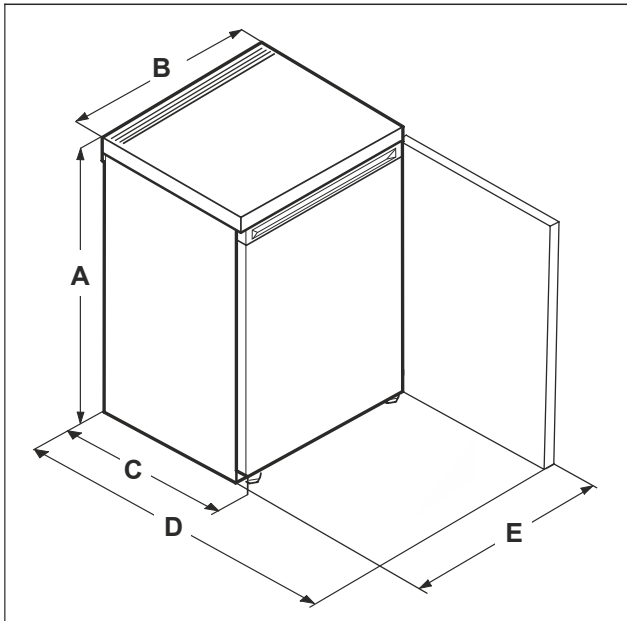


Fig. 4 Example illustration

- (A) Appliance height including feet
- (B) Appliance width
- (C) Appliance depth
- (D) Device depth with door open
- (E) Appliance width with door open

SRC.. 801 / SFC.. 801	
A	680 mm
B	550 mm
C	610 mm
D	1106 mm
E	547 mm

3.3 Transporting the appliance

3.3.1 Transporting the appliance for initial use

Ensure that the following requirements are met:

- The appliance is packaged.
- The appliance is upright.
- ▶ Transport the appliance with the help of two people.
- ▶ Unpacking the appliance.

3.3.2 Transporting the appliance after initial use

Observe the following instructions if you wish to transport or move the appliance again after initial use.

Ensure that the following requirements are met:

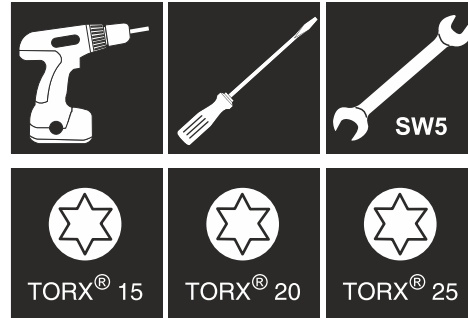
- The appliance is emptied.
 - The appliance is upright.
 - Appliance with door(s): Door is secured against accidental opening.
 - Appliance with telescopic unit: The telescopic unit is secured against accidental opening.
 - Appliance with adjustable feet: Adjustable feet are screwed in.
 - ▶ Transport the appliance with the help of two people.
- After transport:
- ▶ Align the appliance.

3.4 Unpacking appliance

- ▶ Check the appliance and the packaging for damage during transport. Contact the supplier immediately if you suspect any damage. Do not connect appliance to the power supply.
- ▶ Remove all packaging materials from the rear or the side walls of the fridge that may prevent proper installation or prevent air flow and ventilation.

3.5 Swapping the door hinge side

Tool



WARNING

Danger of injury due to door falling out! If the bearing parts are not screwed on tightly enough, the door may fall out. This can result in serious injuries. In addition, the door may not close with the result that the appliance does not cool properly.

- ▶ Screw on the bearing brackets/bearing pins tightly with 4 Nm.
- ▶ Check all screws and retighten them if necessary.

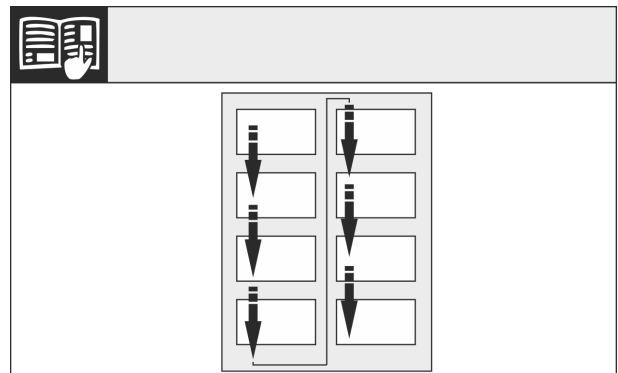


Fig. 5

Note the direction of reading.

3.5.1 Preparation

- ▶ Unlock appliance.
- ▶ Tilt the device backwards with two persons.

3.5.2 Loosen the lower bearing components



CAUTION

Danger of injury due to door tipping out! If you remove the bolt on the door completely, the door may tilt out and you may injure yourself.

- ▶ Hold the door firmly before removing the bolt.

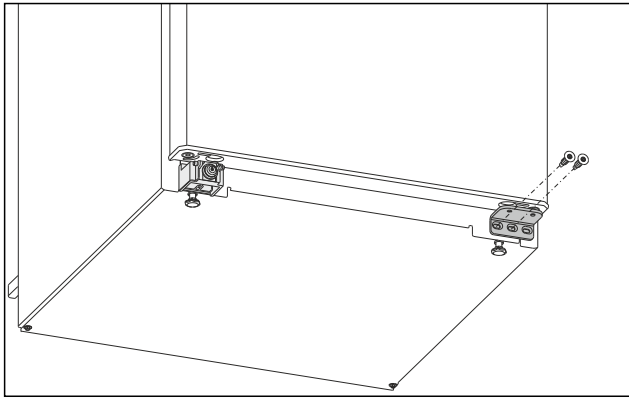


Fig. 6

- ▶ Unscrew the middle screw on the lower swap bearing block with a Torx 20 screwdriver. Fig. 6 (1)
- ▶ Unscrew the inner screw on the lower swap bearing block with a Torx 20 screwdriver. Fig. 6 (2)
- ▶ Put the screws aside.

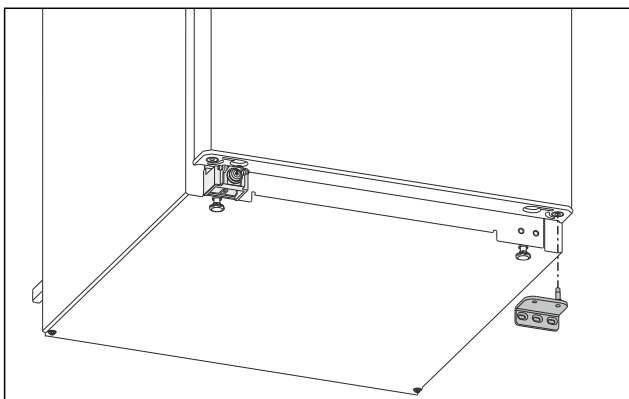


Fig. 7

- ▶ Remove the swap bearing block downwards. (see Fig. 7)
- ▶ Set the swap bearing block aside.

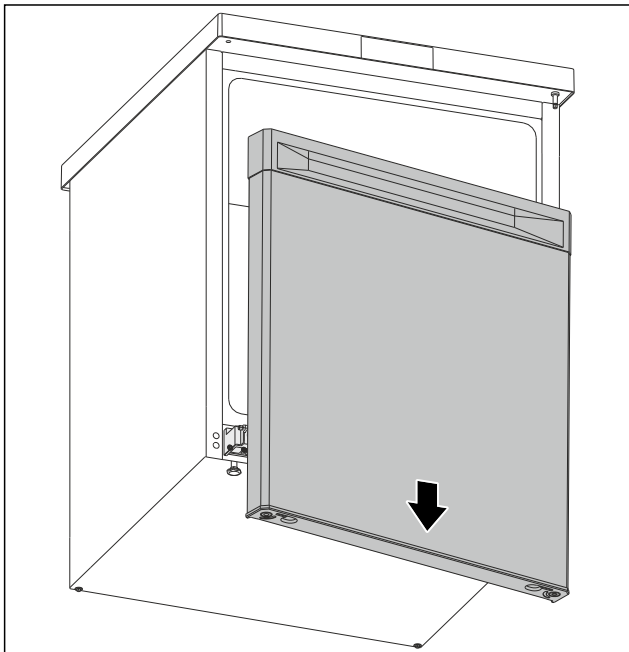


Fig. 8

- ▶ Remove the door downwards. (see Fig. 8)
- ▶ Set down the door.

3.5.3 Preparing the door

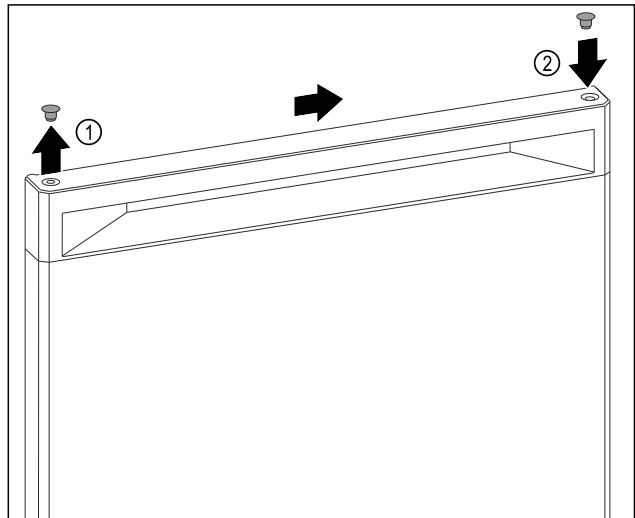


Fig. 9

- ▶ Carefully lift the cover plug on the top of the door Fig. 9 (1) with a slotted screwdriver.
- ▶ Insert the cover plug on the opposite side. Fig. 9 (2)

3.5.4 Switching the lock

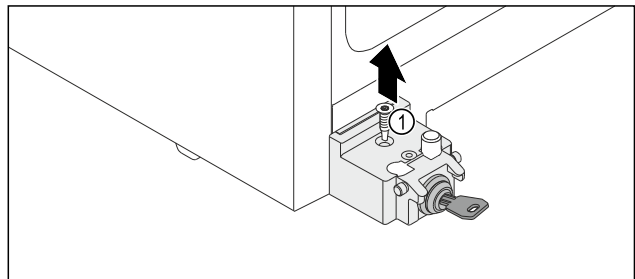


Fig. 10

- ▶ Unscrew the screw Fig. 10 (1).

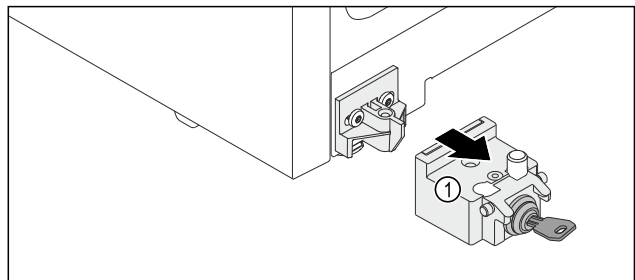


Fig. 11

- ▶ Remove the locking device Fig. 11 (1) forwards.

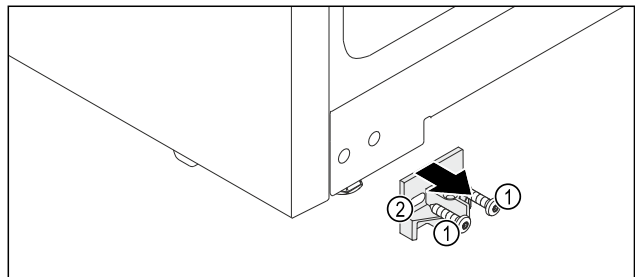


Fig. 12

- ▶ Unscrew the screws Fig. 12 (1).
- ▶ Remove the retaining part Fig. 12 (2) forwards.

Setting up and connecting

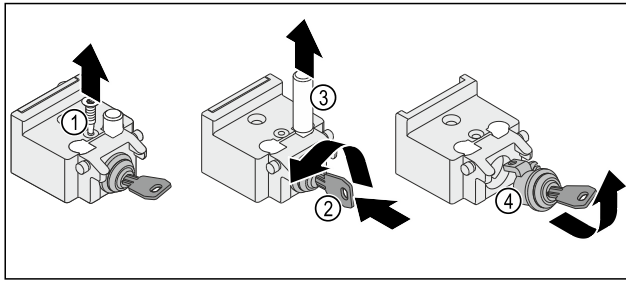


Fig. 13

- ▶ Unscrew the screw Fig. 13 (1).
- ▶ Insert the key Fig. 13 (2) and turn it.
- ▶ Remove the bolt Fig. 13 (3) upwards.
- ▶ Pull out the lock Fig. 13 (4).

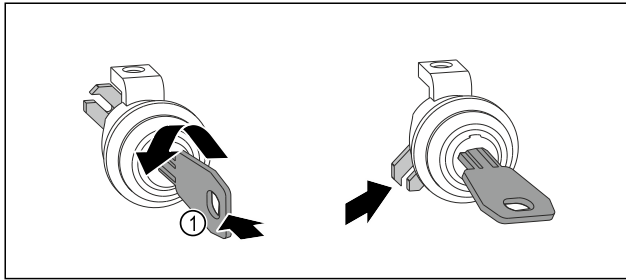


Fig. 14

- ▶ Insert the key Fig. 14 (1) and turn it.

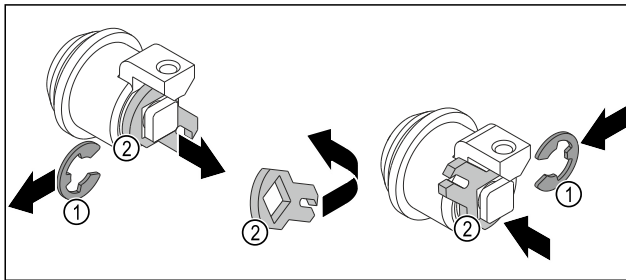


Fig. 15

- ▶ Remove the circlip Fig. 15 (1).
- ▶ Remove the locking hook Fig. 15 (2), turn it around and reinsert it.
- ▶ Insert the circlip Fig. 15 (1).

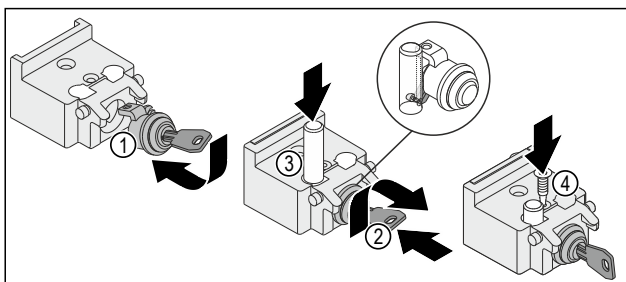


Fig. 16

- ▶ Insert the lock Fig. 16 (1).
- ▶ Insert the key Fig. 16 (2) and turn it.
- ▶ Insert the bolt Fig. 16 (3).
- ▶ After insertion, the transverse pin in the bolt sits in the groove of the lock hook.
- ▶ Screw in the screw Fig. 16 (4).

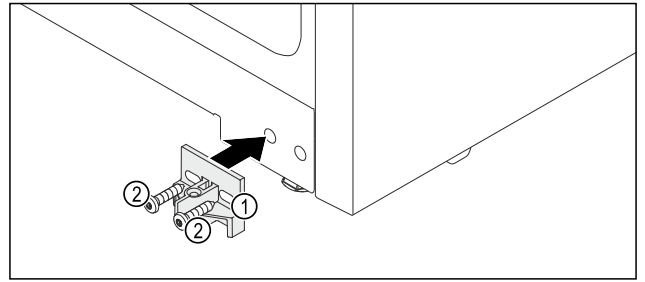


Fig. 17

- ▶ Fit the retaining part Fig. 17 (1) with screws Fig. 17 (2) on the opposite side of the device housing.

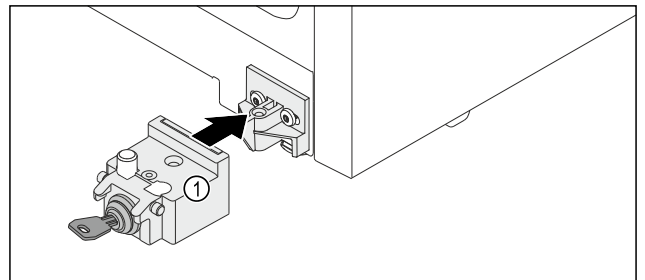


Fig. 18

- ▶ Fit the locking device Fig. 18 (1).

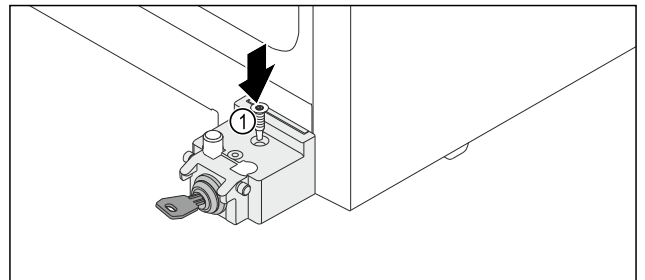


Fig. 19

- ▶ Screw in the screw Fig. 19 (1).

3.5.5 Relocating the bearing components

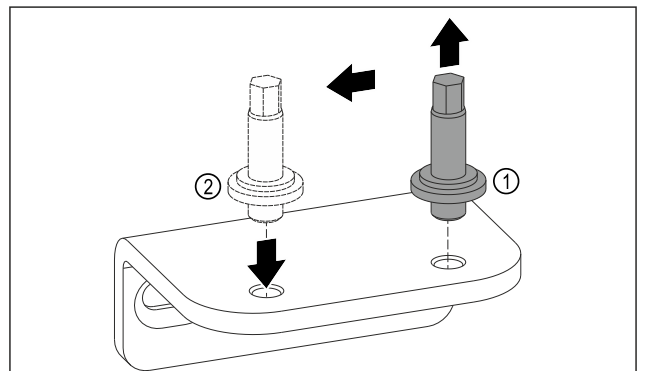


Fig. 20

- ▶ Unscrew the bolt of the lower swap bearing block with an Allen key AF5. Fig. 20 (1)
- ▶ Insert the bolt on the opposite side. Fig. 20 (2)
- ▶ Tighten the bolt with an Allen key AF5.

3.5.6 Relocating the upper bearing components

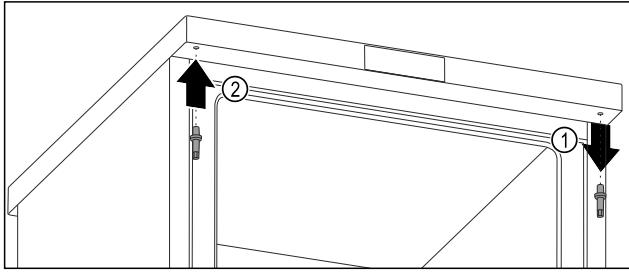


Fig. 21

- ▶ Unscrew the upper bolt with an Allen key. Fig. 21 (1)
- ▶ Tighten the bolt on the opposite side with an Allen key. Fig. 21 (2)

3.5.7 Fitting the door



WARNING

Danger of injury due to door falling out! If the bearing parts are not screwed on tightly enough, the door may fall out. This can result in serious injuries. In addition, the door may not close with the result that the appliance does not cool properly.

- ▶ Screw the bearing brackets on firmly with 4 Nm.
- ▶ Check all screws and retighten them if necessary.

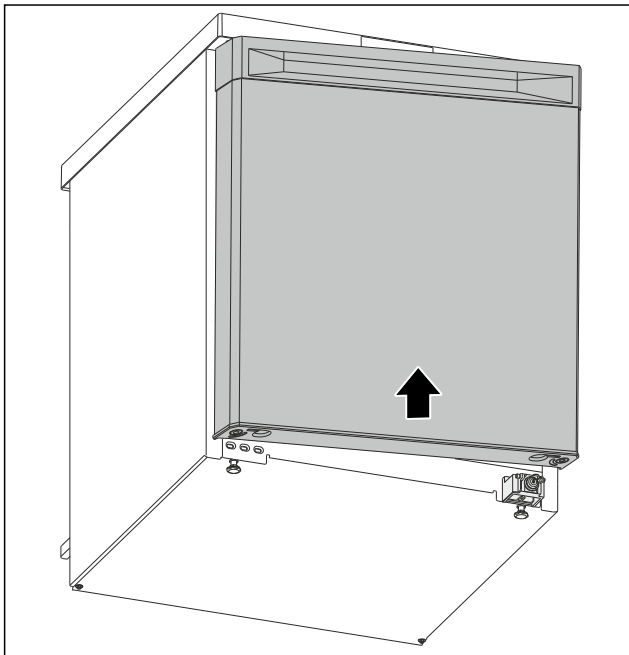


Fig. 22

- ▶ Slide the door onto the upper bolt in open status. (see Fig. 22)

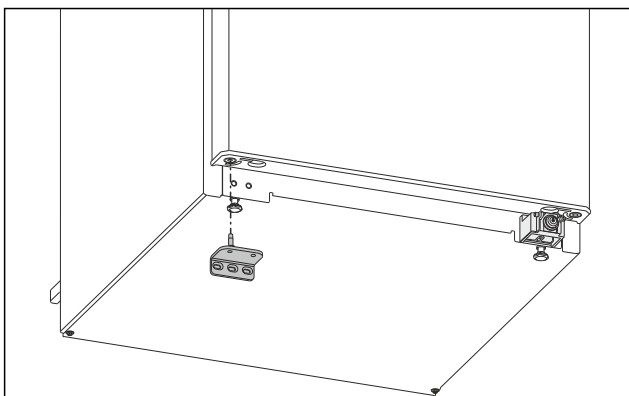


Fig. 23

- ▶ Insert the lower swap bearing block on the opposite side. (see Fig. 23)

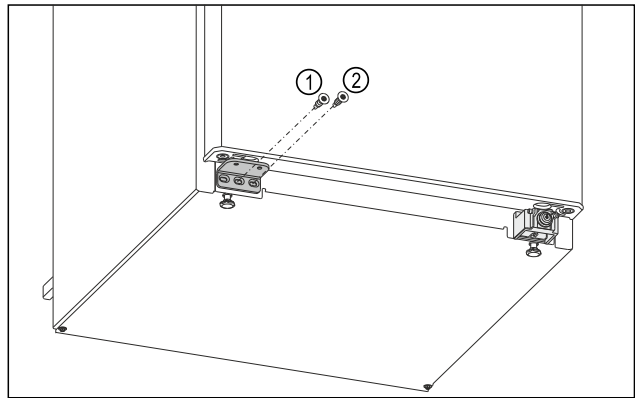


Fig. 24

- ▶ Tighten the middle screw of the swap bearing block Fig. 24 (1) with a Torx 20 screwdriver.
- ▶ Tighten the inner screw of the swap bearing block Fig. 24 (2) with a Torx 20 screwdriver.
- ▶ Check the door.
- ▶ The door hinge has been changed.

3.6 Aligning the door

If the door is not straight, you can adjust it on the lower hinge.

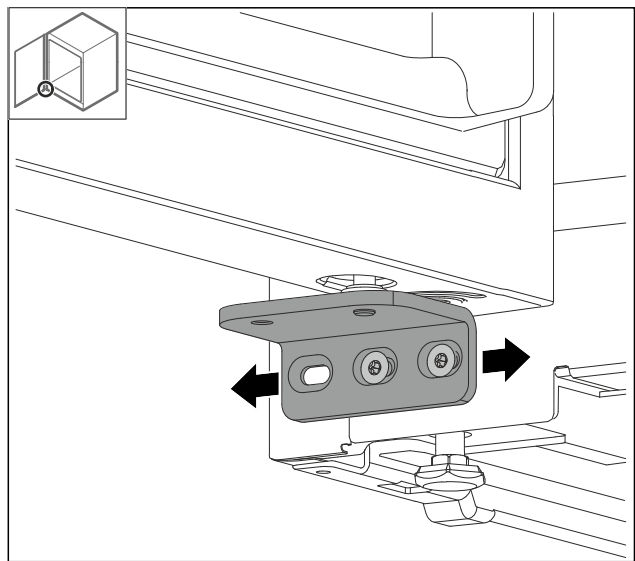


Fig. 25

- ▶ Slightly undo both screws and move the door with the hinge to the left or right.
- ▶ Tighten the screws as far as they will go.
- ▶ The door is now straight.

3.7 Installing appliance



CAUTION

Risk of injury and damage.

- ▶ Use 2 people to install appliance.

Setting up and connecting



CAUTION

Risk of injury and damage. The door can knock against the wall and become damaged as a result. In the case of glass doors, the damaged glass can cause injuries.

► Protect the door from knocking against the wall. Attach door stopper, e.g. felt stopper, to the wall.

► Connect all necessary components (e.g. mains cable) to the back of the appliance and route to the side.

Note

Cables can be damaged.

► Do not jam the cable when pushing the appliance back.

3.8 Installing multiple appliances

NOTICE

Risk of damage due to condensation between the side walls!

- Do not place the appliance directly next to another cooling unit.
- Install appliances with a gap of 10 cm between the appliances.
- Only install several appliances next to each other at temperatures of up to 35 °C and 65% humidity.
- Increase the gap between the appliances at high humidity levels.

3.9 Sliding the appliance under a worktop

You can slide tabletop appliances with a maximum height of 850 mm under a continuous worktop.

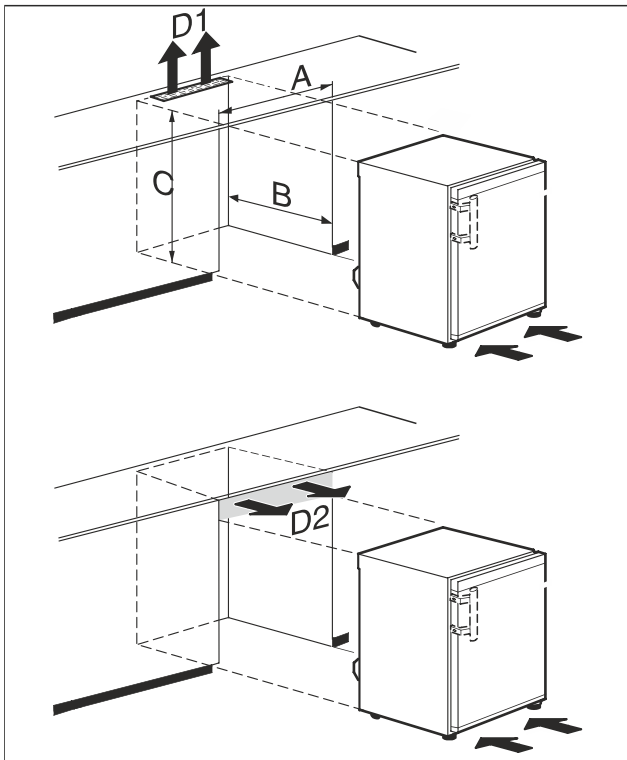


Fig. 26

- (A) Width of appliance without table top
- (B) Niche depth

- (D1) Ventilation cross-section in the workplate
- (D2) Ventilation cross-section between worktop and appliance

(C) Niche height

A	at least 553 mm
B	at least 610 mm
C	at least 685 mm
D1 or D2	at least 200 cm ²



WARNING

Risk of fire due to short circuit!

- When you set the appliance up: do not kink, jam or damage the mains cable.
- The appliance must not be operated with a defective mains cable.

Ensure that the following requirements are met:

- The socket is easily accessible and is not behind the appliance.
- Slide the appliance under the worktop.

3.10 After installation

- Peel off the protective films. *
- Clean appliance. (see 9.3 Cleaning the appliance)
- If necessary: Disinfect the appliance.
- Keep the invoice so you have the appliance and dealer information available if needed.

3.11 Disposing of packaging



WARNING

Danger of suffocation due to packing material and plastic film!

- Do not allow children to play with packing material.

The packaging is made of recyclable materials:

- corrugated board/cardboard
- expanded polystyrene parts
- polythene bags and sheets
- polypropylene straps
- nailed wooden frame with polyethylene panel*
- Take the packaging material to an official collecting point.

3.12 Connecting the appliance to the power supply



WARNING

Danger of electric shock and injury due to damaged appliance or damaged mains cable!

Danger of cuts and fatal injuries. If the appliance or the mains cable is damaged during transport, you may be electrocuted. You could also cut yourself on damaged parts of the appliance housing.

- Check the appliance and the mains cable for damage after transport.
- Never put the appliance into operation if the appliance or the mains cable are damaged.
- Contact Customer Service.

You can connect your appliance to the mains using the power cable supplied separately. The mains power cable has an appliance coupler at one end and a mains plug at the other end.

Make sure that the following requirements are fulfilled:

- The appliance and power cable are undamaged.
- The appliance is set up in accordance with the regulations. (see 3.7 Installing appliance)
- Requirements for the electrical connection are met. (see 3.1 Installation requirements)
- Dimensions for connection in accordance with regulations are known and observed.
- Mains voltage and frequency correspond to the specifications on the type plate.
- The socket is earthed according to the regulations and fused.
- The fuse tripping current is between 10 A and 16 A.
- The socket is easily accessible and is not behind the appliance.

NOTICE

Danger of damage to incorrect operation!
Damage to the electrical components of the appliance.
▶ Only use the supplied mains cable.

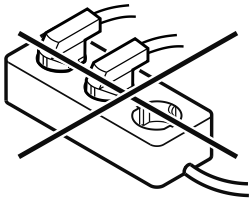


WARNING

Danger of fire due to incorrect connection!
Burns.

Damage to the appliance.

- ▶ Do not use an extension cable.
- ▶ Do not use distributor blocks.



NOTICE

Danger of damage to incorrect connection!
Damage to the appliance.

- ▶ Do not connect the appliance to a stand-alone inverter, e.g. solar power systems and petrol generators.

- ▶ Connect the mains cable plug to the power supply. Ensure that the plug is tightly in the socket.
- ▶ The appliance is connected. For information regarding first use, see the following section or the operating instructions.

4 Functionality of the display

You operate your device with the touchbutton.

4.1 Navigation by touchbutton and symbol explanation

In the illustrations, different symbols are used to navigate the display by touchbutton. The following table describes these symbols.

Symbol	Description
	Touch the touchbutton with your finger briefly: Navigate through main menu and submenu. If a number is shown on the hand: The number tells you how many times you have to touch the touchbutton briefly in succession to navigate to a particular function.
	Touch the touchbutton with your finger for 3 seconds: Switch on the device. In the main menu: Switch off the device. In the submenu: Switch to the main menu. Deactivate active function of the submenu.
	Touch the touchbutton with your finger for 7 seconds: In the main menu: Open the submenu.
	Arrow with clock: It takes more than 10 seconds for the following message to appear in the display.
	Arrow with a time indication: It takes the specified amount of time until the following message appears in the display.

Note

If you touch the touchbutton for **15 seconds**, then you open the service menu. You can recognise the service menu by the flashing of LED 5 and the WLAN LED. This menu is especially for service technicians.

- ▶ Exiting the service menu: Touch the touchbutton for 3 seconds or perform no action on the display for 5 minutes.

4.2 Menus

The device functions can be found in various menus.





Menu	Description
Main menu	When you switch the device on, you are automatically in the main menu. From here, navigate to device functions and the submenu.
Submenu	The submenu contains additional device functions for setting up your device.

4.2.1 Main menu

In the main menu, it is possible to activate/deactivate the following functions:

LED	Description
	Temperature -12 °C

Functionality of the display

LED	Description
	Temperature -16 °C
	Temperature -20 °C
	Temperature -24 °C
	Temperature -28 °C

Meaning of the LEDs in the main menu

4.2.1 Opening the submenu

When you switch the device on, you are automatically in the main menu.

If you are in the submenu and want to switch to the main menu:

- ▶ Carry out action steps (see 4.2.2 Exiting the submenu) .

4.2.1 Navigating in the main menu

If you navigate in the main menu, LED 5 is followed by LED 1 again.



Fig. 27

- ▶ Touch the touchbutton briefly until the LED of the desired function lights up.
- ▶ Function is activated.

4.2.1 Sleep mode of the display

If you do not touch the touchbutton in the main menu for 10 seconds, the display switches to sleep mode. Sleep mode prevents you from adjusting the temperature by accidentally touching the touchbutton.

Ending sleep mode:


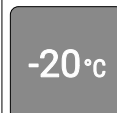



Fig. 28

- ▶ Briefly touch the touchbutton.
- ▶ Confirmation tone sounds.
- ▶ Set temperature flashes once.
- ▶ Sleep mode is ended.

4.2.2 Submenu

In the submenu, the following functions can be activated/deactivated:

LED	Description	LED position
	Input lock	LED 1
	Resetting to factory settings	LED 3
	Select WLAN or LAN. This function is activated when you equip your appliance with a SmartModule. (see 2.3 Special features)	LED 5

Meaning of the LEDs in the submenu

4.2.2 Opening submenu



Fig. 29

- ▶ Carry out the steps as shown in the illustration until you hear a double confirmation tone after 7 seconds.
- ▶ LEDs 1-5 light up: You are in the submenu.
- ▶ If you do not perform any action on the display for 5 seconds, the display returns to the main menu.

4.2.2 Exiting the submenu



Fig. 30

- ▶ Carry out action steps according to the illustration.
- or-
- ▶ Do not touch the touchbutton for 5 seconds.
- ▶ You are in the main menu.

4.2.2 Navigating in the submenu

If you navigate in the submenu, LED 1 follows the LED of the last function in the submenu.



Fig. 31

- ▶ Touch the touchbutton briefly until the LED of the desired function lights up.
- ▶ After 5 seconds without interaction, selected function is automatically activated.

5 Putting into operation

5.1 Switching on device (first use)

Make sure that the following requirements are fulfilled:

- ❑ The device has been installed and connected in accordance with the installation instructions.
- ❑ All adhesive strips, adhesive and protective films and transport locks are removed from inside and on the device.
- ❑ All marketing leaflets are removed from the drawers.
- ❑ You are familiar with the functionality of the display. (see 4 Functionality of the display)

Switching on the device:

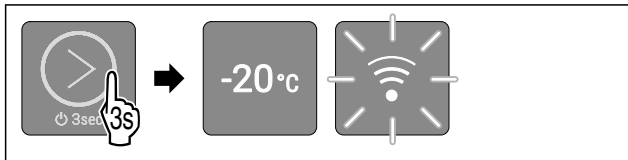


Fig. 32 On appliances with a built-in/retrofitted SmartModule

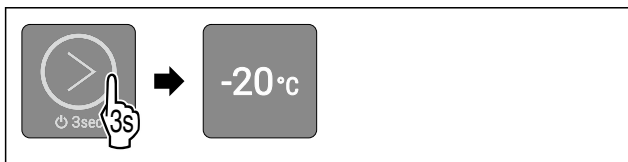


Fig. 33 On appliances without a SmartModule

- ▶ Touch the touchbutton as shown in the illustration for 3 seconds until you hear the confirmation tone.
- ▶ The device is switched on.
- ▶ Interior lighting is activated.
- ▶ LED 3 lights up: Temperature is set to -20 °C at the factory.
- ▶ The device cools to the target temperature set at the factory.
- ▶ If SmartModule is inserted: WLAN LED flashes. WLAN access point is open for 15 minutes.

Device starts in demo mode:

When the device starts in demo mode:

- ▶ Deactivating demo mode. (see Deactivating demo mode)

Display switches to sleep mode:

When the display switches to sleep mode:

- ▶ Briefly touch the touchbutton. (see 4.2.1 Sleep mode of the display)

6 Storage

6.1 Information regarding storage

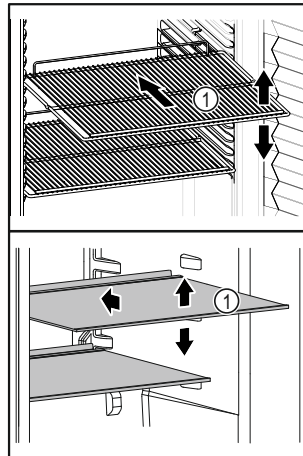


Fig. 34 Example illustration

When stocking observe the following:

- ❑ If storage surfaces Fig. 34 (1) are movable, adjust them according to height.
- ❑ Observe maximum load weight. (see 10.1 Technical specifications)
- ❑ Do not load appliance until storage temperature has been reached (maintain cold chain).
- ❑ Refrigerated goods must not touch the rear wall.
- ❑ Refrigerated items do not protrude beyond the shelves.
- ❑ Keep liquids in closed containers.
- ❑ Leave space when storing items for refrigeration to ensure good air circulation.

7 Controls

7.1 Operating controls and display elements

The display provides a quick overview of the current status of the appliance, the temperature setting, the status of functions and messages.

You operate your appliance with the touchbutton.

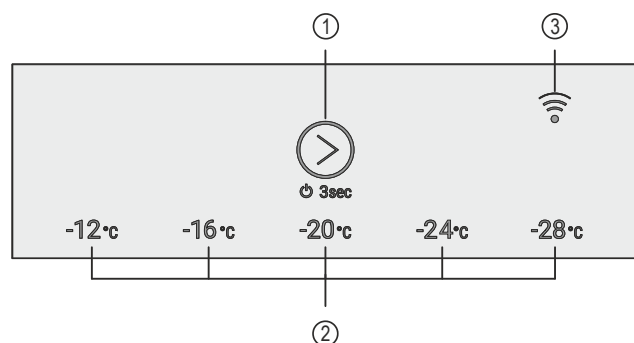


Fig. 35 Example illustration: Display

- (1) Touchbutton (operating control)
- (2) Temperature display/Status indicator
- (3) WLAN LED

7.1.1 Temperature display/Status indicator

The temperature display/status indicator consists of five LEDs:

Controls

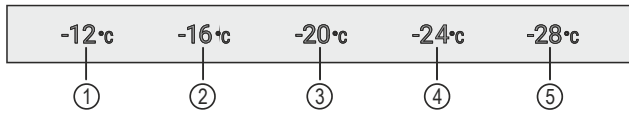


Fig. 36 Example illustration

- (1) LED 1
- (2) LED 2
- (3) LED 3
- (4) LED 4
- (5) LED 5

The LEDs indicate temperature settings (see 4.2.1 Main menu) in the main menu and functions in the submenu (see 4.2.2 Submenu) .

7.1.2 LED behaviour

You can recognise the status of the device by the light up or flashing of the LEDs:

LED behaviour (example illustration)	Description
	LED does not light up: LED is not selected. Function is not active.
	LED lights up: LED is selected or function is active.
	LED of the temperature display/status indicator flashes: LED flashes after a power failure or temperature alarm until set temperature is reached. Several LEDs flash simultaneously: An error has occurred. (see 7.3 Messages)
	If SmartModule is inserted and WLAN LED flashes: WLAN access point is open or WLAN connection is being established.
	If SmartModule is inserted and WLAN LED lights up: LAN connection is selected.
	WLAN LED does not light up: WLAN connection is selected.

LED behaviour

7.1.3 Audible signals

An audible signal sounds in the following cases:

Audible signal	Description
Confirmation tone	Sounds when the touchbutton is touched.
Alarm tone	Sounds when an error occurs. (see 7.3 Messages)
Error tone	Sounds when the touchbutton is touched, but the interaction is not possible.

7.2 Appliance functions

7.2.1 Notes on the appliance functions

The appliance functions are set at the factory so that your appliance is fully functional.

Before you alter, activate or deactivate the device functions, make sure that the following requirements are met:

- You have read and understood the descriptions of how the display works. (see 4 Functionality of the display)
- You have familiarised yourself with the operating and display elements of your appliance. (see 7.1 Operating controls and display elements)



Switching the appliance off and on

Use this function to switch the entire appliance off and on.

Switching off the device

When you switch the appliance off, then the previously saved settings are saved.

Make sure that the following requirements are fulfilled:

- Handling instructions are carried out.
- You are in the main menu. (see 4.2.2 Exiting the submenu)



Fig. 37

- ▶ Carry out the action steps according to the illustration until you hear the confirmation tone.
- ▷ LEDs of the display no longer light up.
- ▷ Interior lighting is deactivated.
- ▷ Device is switched off.

Switching on the device

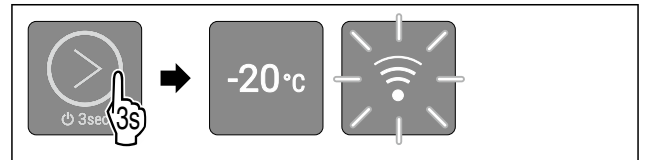


Fig. 38 Example illustration: On appliances with a built-in/inserted SmartModule

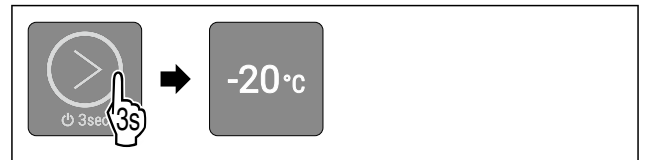


Fig. 39 Example illustration: On appliances without a SmartModule

- ▶ Carry out the action steps according to the illustration until you hear the confirmation tone.
- ▷ The device is switched on.
- ▷ Interior lighting is activated.
- ▷ During first use: The appliance cools to the target temperature set at the factory.
- ▷ If the device has been in operation before: The appliance cools to the target temperature set previously.
- ▷ If SmartModule is inserted: When using the device for the first time or if the device was not previously connected to the WLAN, the Wi-Fi access point will be open for 15 minutes.

- ▶ If SmartModule is inserted: If the appliance was previously connected to the Wi-Fi, it will automatically reconnect to the Wi-Fi.

Temperature

Use this function to set the temperature.

The temperature depends on the following factors:

- Frequency of door opening
- Duration of door opening
- Room temperature of the installation site
- Type, temperature and quantity of food

Setting the temperature

The function is located in the main menu on the positions of LEDs 1-5.

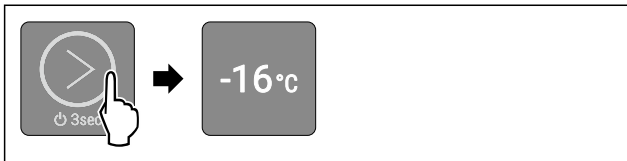


Fig. 42 Example illustration

- ▶ Briefly touch the touchbutton as shown until the desired temperature lights up.
- ▶ Temperature is set.
- ▶ The device cools to the target temperature set.

Input lock

You can use this function to activate or deactivate the input lock. The input lock prevents the appliance being operated accidentally, e. g. by children.

Application:

- Avoid unintentional modification of functions.
- Avoid unintentional switching off of the device.
- Avoid unintentional temperature setting.

Activating the input lock

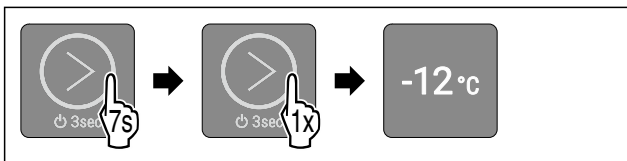


Fig. 44

- ▶ Carry out action steps according to the illustration.
- ▶ LED 1 lights up.
- ▶ After 5 seconds without interaction, input lock is automatically activated.

Deactivating the input lock



Fig. 45

- ▶ Carry out the action steps according to the illustration until you hear the confirmation tone.
- ▶ Input lock is deactivated.
- ▶ You are in the main menu.

7.2.5 WLAN/LAN

Use this function to connect your appliance to the internet either wirelessly (via WLAN) or via a cable (via LAN). You can then use the Liebherr SmartMonitoring Dashboard to monitor the temperature in the appliance. You can also use this function to disconnect or reset the connection, as well as to switch between WLAN and LAN.

If you wish to connect your appliance to the internet via WLAN or LAN, ensure that the following requirements are met:

- The SmartModule has been procured.
- The SmartModule is inserted in the correct position. (see 2.2 Overview of the appliance and equipment)

Note

You can obtain accessories from customer service (see 10.3 Customer Service) or from specialised dealers via the dealer search on our service page on the Internet:

home.liebherr.com

If you wish to use the Liebherr SmartMonitoring Dashboard, ensure that the following requirements are met:

- The SmartModule has been installed.
- A commercial MyLiebherr account has been set up. You can register at <https://my.liebherr.com>.
- Call the Liebherr SmartMonitoring Dashboards: <https://smartmonitoring.liebherr.com>.

Note

Liebherr SmartMonitoring Dashboard is not available in all countries.

Establishing a WLAN connection

Ensure that the following requirements are met:

- The appliance has not yet been connected to the WLAN!
- The SmartModule is inserted.
- The Liebherr SmartMonitoring Dashboard has been installed.
- Registration in the Liebherr SmartMonitoring Dashboard is complete.
- ▶ Switch the appliance off. (see Switching off the device)
- ▶ Switch the appliance on. (see 5.1 Switching on device (first use))
- ▶ The WLAN LED flashes: WLAN access point is open for 15 minutes.
- ▶ The appliance attempts to establish a connection automatically.
- ▶ If the appliance is connected to WLAN: The WLAN LED extinguishes.

Establishing a LAN connection

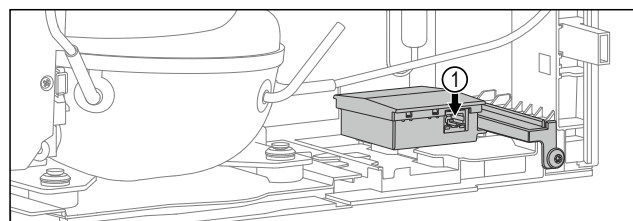


Fig. 46

Ensure that the following requirements are met:

- The appliance has not yet been connected to the LAN!
- The SmartModule is inserted.
- A network cable is connected. Fig. 46 (1)
- The network is connected to the internet.
- ▶ Switch the appliance off. (see Switching off the device)

Controls

- ▶ Switch the appliance on. (see 5.1 Switching on device (first use))
- ▶ The WLAN LED flashes.
- ▶ The appliance attempts to establish a LAN connection automatically.
- ▶ If the appliance is connected to the LAN: The WLAN LED illuminates continuously.

Displaying the connection type

In order to view the connection type, you must navigate to the submenu. (see 4.2.2 Submenu)

WLAN is active:

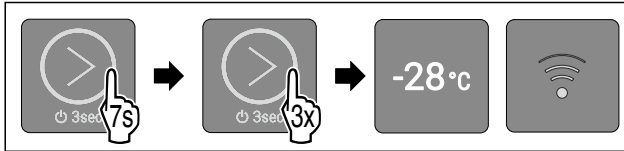


Fig. 47

- ▶ Carry out action steps according to the illustration.
- ▶ LED 5 illuminates.
- ▶ LED 6 does not illuminate.

LAN is active:

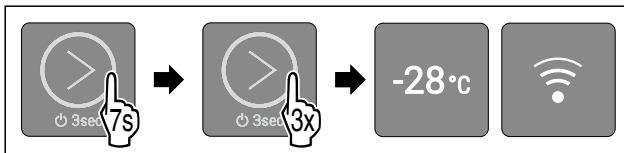


Fig. 48

- ▶ Carry out action steps according to the illustration.
- ▶ LED 5 illuminates.
- ▶ LED 6 illuminates.

Switching from the LAN connection to the WLAN connection

Ensure that the following requirements are met:

- The LAN connection is active.
- The SmartModule is inserted.
- ▶ Switch the appliance off.
- ▶ Remove the network cable.
- ▶ Switch the appliance on.
- ▶ The access point is open for 15 minutes.
- ▶ Carry out action steps according to the illustration.

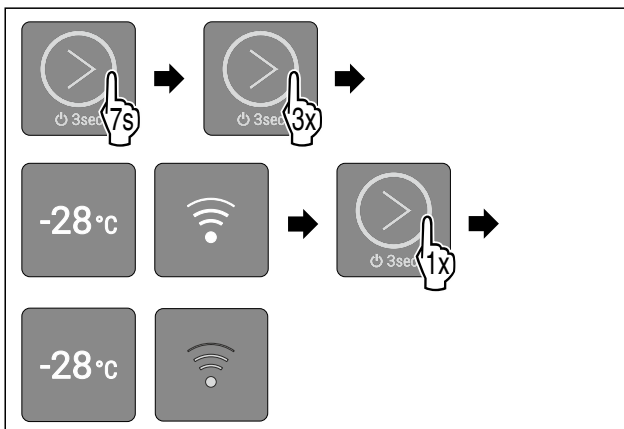


Fig. 49

- ▶ Carry out action steps according to the illustration.
- ▶ LED 6 does not illuminate.
- ▶ The WLAN connection is active.

Switching from the WLAN connection to the LAN connection

Ensure that the following requirements are met:

- The WLAN connection is active.
- The SmartModule is inserted.
- ▶ Switch the appliance off.
- ▶ Plug in the network cable. Fig. 46 (1)
- ▶ Switch the appliance on.

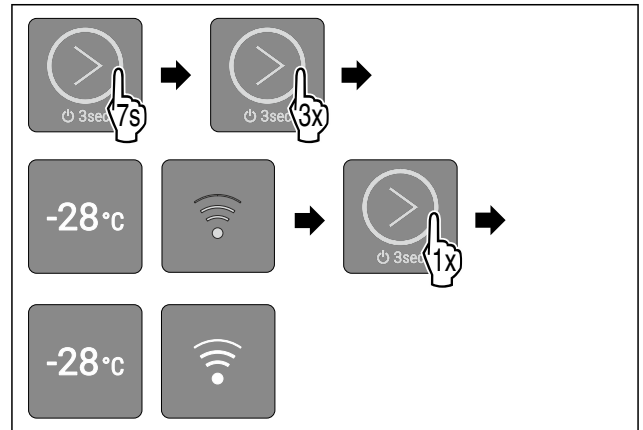


Fig. 50

- ▶ Carry out action steps according to the illustration.
- ▶ LED 6 illuminates.
- ▶ The LAN connection is active.

Disconnecting the WLAN connection

You can remove the SmartModule to disconnect the WLAN connection.

- ▶ Switch the appliance off. (see Switching the appliance off and on)
- ▶ Remove the SmartModule.
- ▶ Switch the appliance on. (see Switching the appliance off and on)
- ▶ The appliance has been restarted.
- ▶ The appliance is ready for operation without an internet connection.

Disconnecting the LAN connection

You can remove the network cable to disconnect the WLAN connection.

- ▶ Switch the appliance off. (see Switching the appliance off and on)
- ▶ Remove the network cable.
- ▶ Switch the appliance on. (see Switching the appliance off and on)
- ▶ The appliance has been restarted.
- ▶ The appliance attempts to establish a WLAN connection automatically. (see Establishing a WLAN connection)

Note

If you wish to operate the appliance without a WLAN connection, you must disconnect the WLAN connection. (see Disconnecting the WLAN connection)

Resetting the WLAN or LAN connection

You can reset the WLAN or LAN connection by resetting the entire appliance to factory settings. (see Resetting to factory settings)



Demo mode

Demo mode is a special feature for dealers who want to demonstrate device features. If you activate demo mode, all refrigeration functions are deactivated and you cannot open the submenu.

If you activate and then deactivate demo mode, the device will be reset to factory defaults. (see Resetting to factory settings)

Activating demo mode

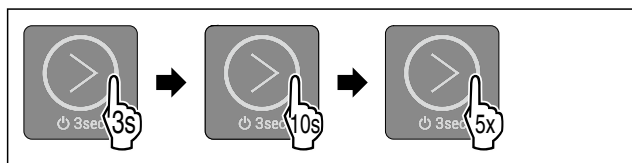


Fig. 51

- ▶ Touch the touchbutton as shown in the illustration for 3 seconds until you hear the confirmation tone.
- ▶ Device is switched off.
- ▶ Touch the touchbutton as shown in the illustration for 10 seconds until you hear the confirmation tone after 10 seconds.
- ▶ Briefly touch the touchbutton five times.
- ▶ All temperature LEDs light up twice for a short time: Demo mode is activated.
- ▶ Device is switched off.
- ▶ Switch on the device. (see Switching on the device)
- ▶ The device is in demo mode.

Deactivating demo mode

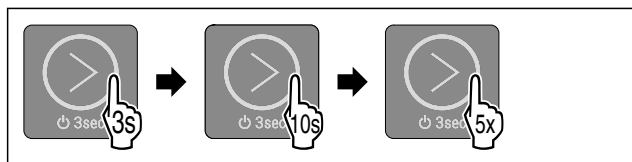


Fig. 52

- ▶ Touch the touchbutton as shown in the illustration for 3 seconds until you hear the confirmation tone.
- ▶ Device is switched off.
- ▶ Touch the touchbutton as shown in the illustration for 10 seconds until you hear the confirmation tone after 10 seconds.
- ▶ Briefly touch the touchbutton five times.
- ▶ All temperature LEDs light up briefly four times: Demo mode is deactivated.
- ▶ Device is switched off.
- ▶ Switch on the device. (see Switching on the device)

Resetting to factory settings

Use this function to reset all settings to factory defaults. All settings you have made so far (e.g. log-in data) are reset to their original settings.

Application:

- Reset device

Performing a reset

- ▶ Carry out action steps according to the illustration.
- ▶ LED 3 lights up.
- ▶ After 5 seconds without interaction, the appliance is reset.
- ▶ Appliance is switched off.
- ▶ Switch on the appliance. (see 5.1 Switching on device (first use))
- ▶ Log-in data is reset.

7.3 Messages

Messages are indicated audibly by an alarm tone and visually by the LEDs flashing in the display. Different LEDs flash depending on the type of message.

You can end the following messages yourself. For all other messages, you must contact the customer service. (see 10.3 Customer Service)

Message	Cause	Exit the message
Alarm tone sounds. Interior lighting pulses. Door alarm	The message appears if the door is open for more than 60 seconds.	Carry out action steps (see Door alarm) .
LED 1-5 flash. Alarm tone sounds. Interior lighting pulses. Power outage alarm	The message appears when a power failure has occurred and the freezing temperature has changed.	Carry out action steps (see Power outage alarm) .
LED 1-5 flash. Alarm tone sounds. Interior lighting pulses. Temperature alarm	The message appears if the temperature does not correspond to the set temperature.	Carry out action steps (see Temperature alarm) .
LED 2, LED 4 and WLAN LED flash. WLAN error	The message appears if the device could not be connected to the WLAN or if the WLAN connection is interrupted.	Carry out action steps (see WLAN error) .

Overview of messages

7.3.1 Ending messages

Door alarm

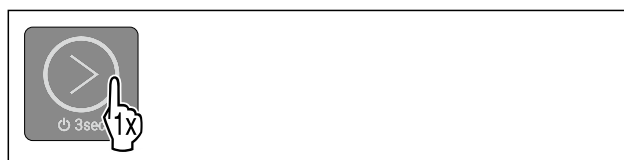


Fig. 53

- ▶ End alarm: Carry out action steps according to the illustration.

-or-

- ▶ Close the door.
- ▶ Alarm has ended.
- ▶ If the door is not closed: Message appears again after 1 minutes.

Power outage alarm

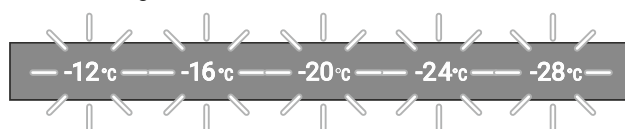


Fig. 54 Display in case of power failure



Fig. 55

- ▶ End alarm: Carry out action steps according to the illustration.

Features

- ▷ The device continues to run in normal mode.
- ▷ LED of the previously set temperature flashes until temperature is reached.

Temperature alarm

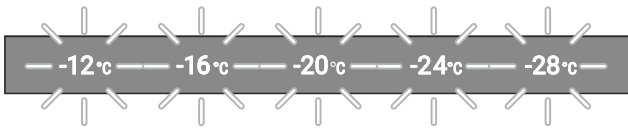


Fig. 56 Display in case of temperature alarm

Possible causes for temperature differences:

- You have put in warm, fresh food.
 - Too much warm air has got in while you were sorting out the freezer or removing items.
 - There has been a longer power failure.
 - The device is faulty.
- ▶ Eliminating causes.



Fig. 57

- ▶ End alarm: Carry out action steps according to the illustration.
- ▷ The device continues to run in normal mode.
- ▷ LED of the previously set temperature flashes until temperature is reached.

WLAN error

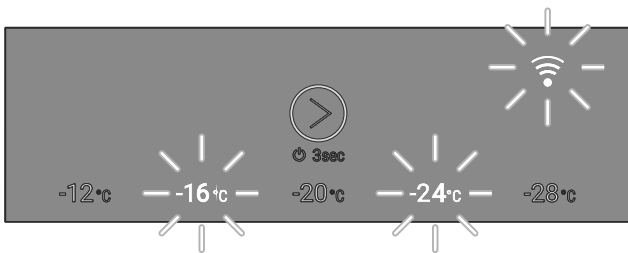


Fig. 58 Display in case of WLAN error

- ▶ Check WLAN connection.



Fig. 60

- ▶ End alarm: Carry out action steps according to the illustration.

-or-

- ▶ Re-establish WLAN connection.
- ▷ The device continues to run in normal mode. LED of the previously set temperature lights up.

8 Features

8.1 Safety lock

The lock in the appliance door is equipped with a safety mechanism.

8.1.1 Locking appliance

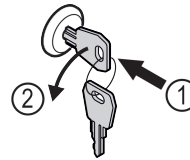


Fig. 61 Example illustration

- ▶ Insert key.
- ▶ Turn key anticlockwise by 90°.
- ▷ The appliance is locked.

8.1.2 Unlocking appliance

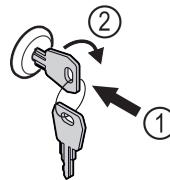


Fig. 62 Example illustration

- ▶ Insert key Fig. 62 (1).
- ▶ Turn key clockwise by 90° Fig. 62 (2).
- ▷ The appliance is unlocked.

8.2 Sensors

The appliance can be equipped with the following sensors for temperature monitoring:

- C sensor

8.2.1 C-sensor (control sensor)

The C-sensor is installed securely and regulates the interior temperature of the appliance.

9 Maintenance

9.1 Maintenance schedule

Maintenance work is to be performed at regular intervals to ensure proper appliance function.



CAUTION

Danger of injury and damage due to unprofessional maintenance work!

Personal injury and material damage.

- ▶ Maintenance work may only be performed by trained specialist personnel.



WARNING

Short-circuit hazard due to live parts!

Electric shock or damage to the electronics.

- ▶ **Switch off the appliance.**
- ▶ Pull out mains plug or switch off fuse.

Note

We recommend creating a maintenance log in which all work (repairs, checks) performed is documented.

Note

Liebherr recommends yearly maintenance. For an individual offer, please contact Customer Service (see 10.3 Customer Service).

Component	Activity	Maintenance interval
Sheet metal parts	Check for damage and corrosion. Replace damaged parts: (see 10.3 Customer Service)	Yearly
Door, hinges	Check alignment (see 3.6 Aligning the door) , ease of movement, and tight fit.	Yearly
Lock, door handle *	Check for ease of movement and tight fit.	Yearly
Door seal	Check for damage, wear, and tight fit. A replacement door seal is available via Customer Service (see 10.3 Customer Service) .	Yearly
Sensor feedthrough	Check that the sealing compound is intact.	Yearly
Surfaces	Cleaning (see 9.3 Cleaning the appliance)	Recommendation: monthly or as required/specified at installation location
Surfaces	Disinfection Liebherr has tested the following disinfectants: Dismozon pur 1 % Lösung (Bode Chemie), Suma Quicksan (Diversey), Incidin Extra N (Ecolab Healthcare), Acrylan (Antiseptica chem.-pharm. Produkte), Buraton 10 F (Schülke und Mayr), Frankocid N (Franken Chemie), Apesin DSR 50 (Tana), Nüscosept Spray (Dr. Nüsken), Melsept SF (B. Braun Melsungen), Kohrsolin (Bode Chemie), Neoquat S (Dr. Weigert), Indicin Rapid (Ecolab Healthcare), Bacillocid Spezial (Bode Chemie), Neoform K Spray (Dr. Weigert), Apesin Desinf. Spray (Tana), Nüscosept 100 (Dr. Nüsken), Antisept T (Fink Tec), Apesin AP 100 0,50% Lösung (Tana), Perform Pulver 2% Lösung (Schülke und Mayr) Observe the operating instructions of the respective manufacturer. If disinfectants other than those stated are used, test them on a less exposed area first.	Recommendation: monthly or as required/specified at installation location
Installation location, appliance	Decontamination The appliance is suitable for room decontamination with hydrogen peroxide H ₂ O ₂ . In this context, the values of the following application specifications must not be exceeded: Concentration: maximum 250 ppm. Humidity: maximum 85%. Maximum permissible room temperature as per climate class. (see 2.4 Range of use of appliance)	Recommendation: as required/ specified at installation location, maximum 2x per year
Network cable	Check for damage.	Yearly or When changing the location

9.2 Defrosting appliance



WARNING

Improper defrosting of the appliance!
Injuries and damage.

- ▶ Do not use mechanical equipment or other methods to speed up the defrosting process other than those recommended by the manufacturer.
- ▶ Do not use electrical heating or steam-cleaning appliances, naked flames or defroster sprays to defrost.
- ▶ Do not use sharp objects to remove ice.

If automatic defrosting is insufficient, defrost the appliance manually:

- ▶ Switch off appliance. (see Switching the appliance off and on)
- ▶ Pull out mains plug.
- ▶ Store refrigerated items elsewhere.
- ▶ Leave appliance door open during defrosting process.
- ▶ Absorb any remaining defrost water with a cloth and clean the appliance.

To maintain the functionality of the appliance, we recommend defrosting it when there is a high buildup of ice. Icing in the interior is determined by the location (e.g. high humidity), settings on the appliance and incorrect user behaviour.

Customer help

9.3 Cleaning the appliance

9.3.1 Preparing



WARNING

Short-circuit hazard due to live parts!
Electric shock or damage to the electronics.

- ▶ **Switch off the appliance.**
- ▶ Pull out mains plug or switch off fuse.



WARNING

Risk of fire

- ▶ Do not damage the refrigeration circuit.
- ▶ Empty the appliance.
- ▶ Pull out the mains plug.
- ▶ Observe the notes on transporting the appliance.

9.3.2 Cleaning housing

NOTICE

Improper cleaning!
Damage to the appliance.

- ▶ Only use soft cleaning cloths and ph-neutral all-purpose cleaners.
- ▶ Do not use abrasive sponges or steel wool which may cause scratches.
- ▶ Do not use any sharp or abrasive cleaning agents, nor any that contain sand, chloride or acid.



WARNING

Risk of injury and damage as a result of hot steam!
Hot steam can lead to burns and can damage the surfaces.

- ▶ Do not use any steam cleaners!

NOTICE

Risk of damage due to short circuit.

- ▶ When cleaning the appliance, make sure no water gets into the electrical components.
- ▶ Wipe the housing down with soft, clean cloth. If very dirty, use lukewarm water with a neutral cleaner. Glass surfaces can also be cleaned with glass cleaner.
- ▶ Clean condenser coil each year. If the condenser coil is not cleaned, this significantly reduces the efficiency of the appliance.

9.3.3 Cleaning interior



WARNING

Short-circuit hazard due to live parts!
Electric shock or damage to the electronics.

- ▶ **Switch off the appliance.**
- ▶ Pull out mains plug or switch off fuse.



WARNING

Risk of injury and damage as a result of hot steam!
Hot steam can lead to burns and can damage the surfaces.

- ▶ Do not use any steam cleaners!

NOTICE

Improper cleaning!
Damage to the appliance.

- ▶ Only use soft cleaning cloths and ph-neutral all-purpose cleaners.
- ▶ Do not use abrasive sponges or steel wool which may cause scratches.
- ▶ Do not use any sharp or abrasive cleaning agents, nor any that contain sand, chloride or acid.

Note

Do not damage or remove the type plate on the inside of the appliance. The type plate is important for Customer Service. (see 10.3 Customer Service)

- ▶ Open the door.
- ▶ Empty the appliance.
- ▶ Clean interior and equipment parts with lukewarm water and a little detergent. Do not use any gritty or acidic cleaning agent or any chemical solvent.

9.3.4 After cleaning

- ▶ Wipe appliance and equipment parts dry.
- ▶ Connect and switch on appliance. Once the temperature is sufficiently cold:
 - ▶ put in items for refrigeration goods.
 - ▶ Repeat cleaning regularly.
 - ▶ Clean and remove dust from the refrigeration unit with heat exchanger once a year.

10 Customer help

10.1 Technical specifications

Temperature range	
Freezing	-12 °C to -28 °C

Maximum load per shelf ^{A)}			
Appliance width	550 mm	600 mm	750 mm
Grid shelves	--	45 kg	60 kg
Glass shelf	40 kg	40 kg	40 kg
Drawer (freezer appliances)	15 kg	15 kg	15 kg

A) Heavier loads may result in a slight bending of the shelves.

Maximum total load and net weight		
Model (see 3.2 Appliance dimensions)	Maximum total load	Net weight
SFC.. 801	120 kg	32.7 kg

Net capacity	
See net capacity on the type plate. (see 2.2 Overview of the appliance and equipment)	

Lighting	
Energy efficiency class ^{A)}	Light source
This product contains one or more energy efficiency class G light sources	LED

A) The appliance may contain light sources with different energy efficiency classes. The lowest energy efficiency class is indicated.

WLAN frequency specification	
Frequency band	2.4 GHz
Maximum radiated power	<100 mW
Purpose of the wireless equipment	Integration in the local WiFi network for data communication

Set-up conditions	
Degrees of pollution (surrounding the appliance)	PD2
Ambient temperature	+10 °C to +35 °C
Maximum relative ambient moisture	75%, not condensing
Maximum operating elevation (metres above sea level)	2000 m

Electrical values	
Nominal voltage	220-240 V ~

Electrical values	
Frequency	50 Hz
Connected load	1,3 A
Maximum mains fluctuation	+/-10%
Overvoltage categories	II

10.2 Technical fault

Your appliance is designed and built to ensure it works reliably and has a long service life. In the unlikely event that a fault occurs during operation, please check whether the fault is due to an operating error. If this is the case, you will be charged for the cost incurred even if this falls within the warranty period.

You can fix the following faults yourself.

10.2.1 Appliance function

Defect	Cause	Remedy
The appliance is not working.	→ The appliance is not switched on.	▶ Switch on the appliance.
	→ The mains plug is not properly plugged into the socket.	▶ Check the mains plug.
	→ There is something wrong with the fuse in the socket.	▶ Check fuse.
	→ Power cut	▶ Keep the appliance closed. ▶ If necessary move the refrigerated/frozen items to another fridge or freezer if the power is off for a prolonged period.
	→ The IEC socket is not plugged into the appliance correctly.	▶ Check the IEC socket.
Temperature is not cold enough.	→ The appliance door is not closed properly.	▶ Close appliance door.
	→ Ventilation is not sufficient.	▶ Clear ventilation grille and clean it.
	→ The ambient temperature is too high.	▶ Ensure the correct ambient conditions: (see 2.4 Range of use of appliance)
	→ The appliance was opened too many times or for too long.	▶ Wait to see if the appliance goes back to the required temperature by itself. If not, contact Customer Service. (see 10.3 Customer Service)
	→ The temperature is set incorrectly.	▶ Set a colder temperature and check after 24 hours.
	→ The appliance is too close to a heat source (oven, radiator, etc).	▶ Change where the appliance or the heat source are located.
Frost formation on the housing frame and/or on the inside of the door.	→ Door seal is damaged.	▶ Replace the door seal.
	→ You have set the temperature too cold or you have not opened the door often enough.	▶ The appliance is not malfunctioning; simply remove any condensation with a cloth.

10.3 Customer Service

First check whether you can remedy the fault yourself . If this is not the case, please contact Customer Service.

You can find the address in the enclosed brochure "Liebherr-Service" or at home.liebherr.com/service.

Shutting down



WARNING

Unprofessional repair!
Injuries.

- ▶ Have any repairs and action - not expressly specified - on the appliance and mains cable carried out by service personnel only. (see 9 Maintenance)
- ▶ A damaged mains cable may only be replaced by the manufacturer, the manufacturer's Customer Service or a similarly qualified person.
- ▶ In the case of appliances with an IEC connector, the change may be made by the customer.

10.3.1 Contacting Customer Service

Make sure you have the following appliance data at the ready:

- Appliance name (model and index)
- Service no. (Service)
- Serial no. (S no.)

-or-

- ▶ Refer to the type plate for appliance information. (see 10.4 Type plate)
- ▶ Note down appliance information.
- ▶ Inform Customer Service: Report faults and the appliance information.
- ▶ This will help us to provide a fast and focussed service.
- ▶ Follow any further instructions provided by Customer Service.

10.4 Type plate

The type plate is inside the appliance. See appliance overview.

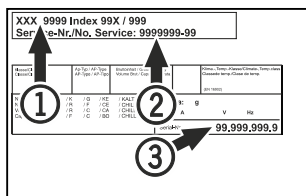


Fig. 63

- (1) Appliance designation (3) Serial No.
- (2) Service No.

11 Shutting down

- ▶ Empty the appliance.
- ▶ Switch off the appliance.
- ▶ Pull the mains plug out of the socket.
- ▶ Remove the IEC socket if required: Pull the IEC socket out of the appliance plug and move it to the left and right at the same time.
- ▶ Clean appliance (see 9.3 Cleaning the appliance).
- ▶ If present: Remove the covers and insulation from the sensor feed-through to prevent mould forming.
- ▶ Leave the door open so that no bad odours form.

Note

Damage to the appliance and malfunctions!
▶ After shutting down, only store the appliance at the permitted room temperature of between -10 °C and +50 °C.

12 Disposal

12.1 Preparing appliance for disposal



Li-Ion

Liebherr uses batteries in some of its appliances. In the EU, for environmental reasons, legislation obliges the end user to remove these batteries before disposing of old appliances. If your appliance contains batteries, a corresponding notice is attached.

Lamps If you can remove the lamps yourself without destroying them, also remove these before disposal.

- ▶ Take the appliance out of operation.
- ▶ If possible: remove lamps without destroying them.

12.2 Disposing of the appliance in an environmentally friendly manner



The appliance still contains valuable materials and must be disposed of separately from unsorted municipal waste.



Li-Ion



Li-Ion

Dispose of batteries separately from the old appliance. To do this, you can return the batteries free of charge to retailers as well as recycling centres and collection centres for recyclable materials.

Lamps

Dispose of removed lamps via the respective collection systems.

For Germany:

You can dispose of the appliance free of charge via the class 1 collection containers at the local recycling and recyclable material collection centres. When purchasing a new fridge/freezer, if the sales area > 400 m², retailers will also take back the old appliance free of charge.



WARNING

Leaking coolant and oil!
Fire. The coolant contained in the appliance is eco-friendly, but also flammable. The oil contained in the appliance is flammable. Escaping coolant and oil can ignite if the concentration is high enough and in contact with an external heat source.

- ▶ Do not damage the pipelines of the coolant circuit and the compressor.
- ▶ Observe the notes on transporting the appliance.
- ▶ Transport the appliance without damaging it.
- ▶ Dispose of batteries, lamps and the appliance according to the above specifications.

13 Additional information

Further information on warranty conditions can be found in the enclosed service brochure or on the Internet at <https://home.liebherr.com>.



home.liebherr.com/fridge-manuals

EN countertop freezer
ORIGINAL OPERATOR'S MANUAL

Issue date: 20260309

Part number index: 7086807-00

Liebherr-Hausgeräte Marica EOOD
Bezirk Plovdiv
4202 Radinovo
Bulgarien