
Pumping concrete with precision

Compact and versatile

LIEBHERR

36 XXT truck mounted concrete pump



36 XXT – The most versatile



Five section multi-fold distributor boom

XXT-outrigger

XXT-outrigger

The pivoting XXT support is particularly versatile when supporting in tight spaces.

Powerbloc inside

The Powerbloc concrete pump drive, developed and manufactured by Liebherr, combines power and smooth running.

Five section multi-fold distributor boom

Short arms and large swivel angles of the joints provide optimal mobility in confined construction sites.



Powerbloc inside

Variable storage spaces

Compact design

Highest safety and ergonomics

Variable storage spaces

A wealth of storage options enable the best possible configuration to customer requirements.

Compact design

Compact assembly with no overhang ensures maneuverability and clarity.

Highest safety and ergonomics

All control stations are ergonomic and meet the highest safety standards.

Flexible at the construction site Maneuverable on the road



One boom for all applications!

The five-part multi-fold distributor boom is suitable for confined construction sites and working inside buildings due to its low unfolding height, above-average mobility and excellent slip properties.

Highlights

Vehicle length

The option of mounting the 36 XXT truck mounted concrete pump on a three-axle chassis makes the truck particularly light and compact. The boom terminating with the feed hopper shortens the machine enormously and noticeably increases maneuverability at the construction site and in road traffic.

Boom concept

The design of the boom ensures quiet and vibration-free operation even at high delivery rates.

Flexibility

The five sections and the good slip properties allow maximum flexibility at the construction site. A wide variety of positions can be reached perfectly at the construction site.

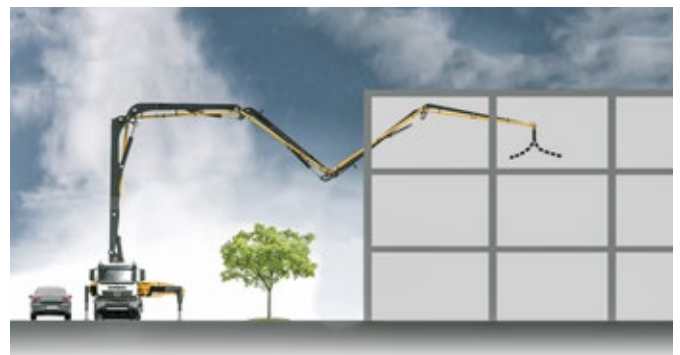
Robustness

The robust design of the machine ensures reliable operation for many years at low operating costs. Numerous design features facilitate tough everyday use.



Unfolding height

With an unfolding height of the boom of only 23.62 ft (7.2 meters), concreting in confined spaces or halls is no obstacle for the machine.



Slip properties

Good slip properties facilitate concreting in existing buildings on different floors.

No space? – No problem!

Space-saving stability

The proven XXT-outrigger is particularly flexible when used in tight spaces.



XXT-outrigger

Perfect in every situation

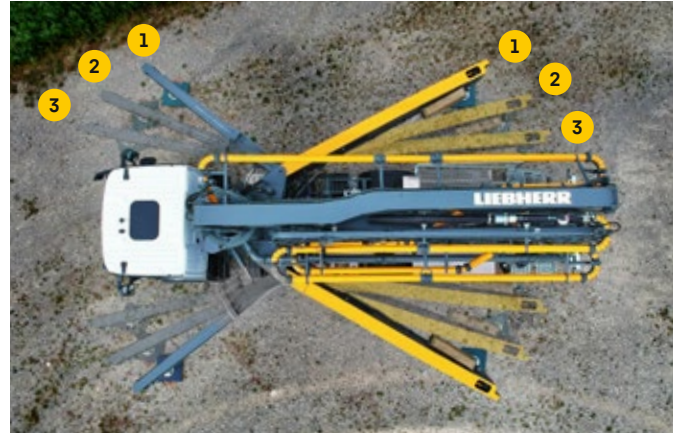
The XXT support transfers the boom loads along the shortest path to the contact areas of the support legs. No forces act on the vehicle frame. On each side of the vehicle, the front and rear support legs swivel around the same axis to save space.

Narrow support

The XXT-outrigger offers great advantages compared to other supports: Nonetheless, even on the side where there is little space, the front support can still be extended in front of the driver's cab thanks to the swivel option. This adds the entire working area in front of the driver's cab. Even with narrow support on both sides, work is possible across the operator's cab.

Partial support

The versatile XXT support is unbeatable when supporting in tight spaces. The big advantage: In particularly cramped situations with little space, it is possible to work in the side area despite partial support with boom arm 1 raised. Pumping can always be carried out across the cab with the boom fully extended.

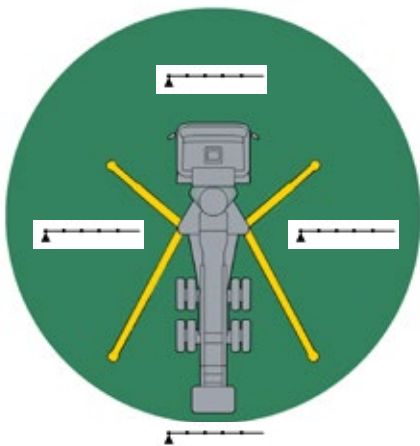


1. Full support
2. Partial support
3. Narrow support

XXA 3 stability assistance system

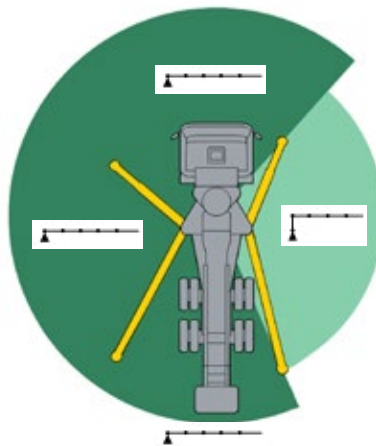
Thanks to the new XXA 3 stability assistance system, partial support areas are made possible and electronically monitored. Thus, the new stability assistance offers even more application possibilities due to the multitude of additional support options and at the same time ensures more assistance to the operator. The indication of the slewing range of the boom is indicated on the radio remote control in the color display.

- Full support, boom can be fully extended
- Partial support, boom arm 1 raised



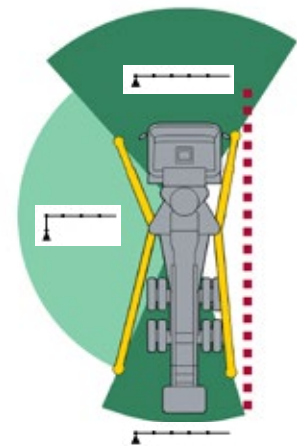
Full support

The innovative XXT support gives the truck mounted concrete pump maximum stability at all times. Supporting is quick, even on uneven terrain.



Single-side partial support

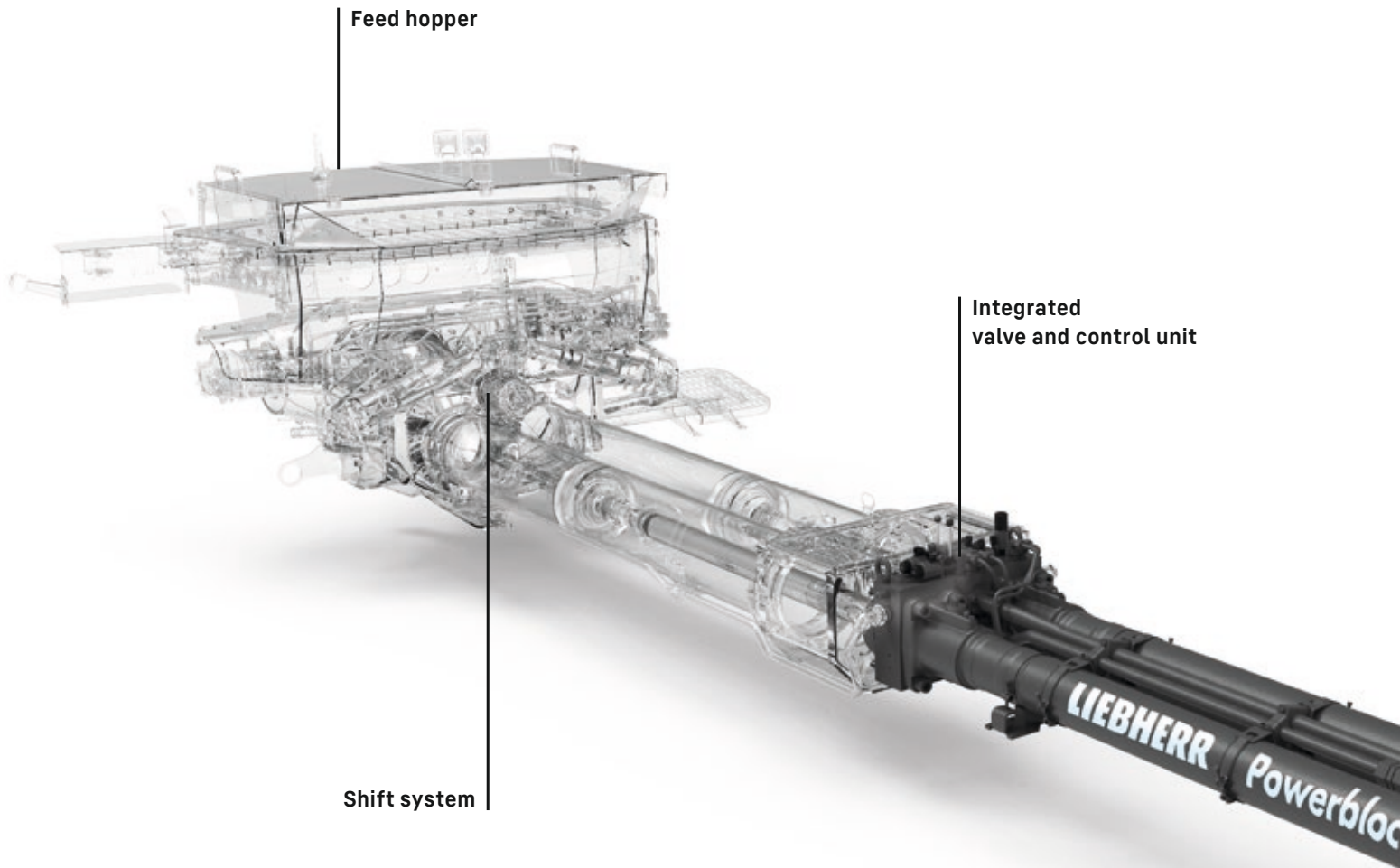
In the partially supported area, work can also be carried out on this side with boom arm 1 raised.



Combination of partial and narrow support

The combination of partial and narrow support on one side enables a large variable slewing range for the boom with minimum space requirement.

Powerbloc and HCC



Powerbloc

The Powerbloc is characterized by high performance and smooth running. The latest drive unit for concrete pumps does not require a separate control block, as all hydraulic switching and measuring elements are integrated.

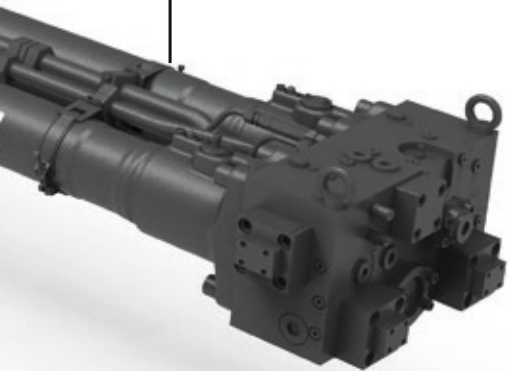
Feed hopper

The optimized hopper shape promotes concrete flow and reduces concrete deposits. The separate agitator paddles and the wide suction openings guarantee optimum suction performance. The feed hopper enables easy cleaning due to good accessibility.

Shift system

Powerful slide system with smooth change of direction thanks to controlled pipe changeover. The controller controls the oil quantity perfectly matched to the switchover cycles. The S-pipe changeover is implemented via two hydraulic cylinders with full pressure from the main hydraulic pump.

Powerbloc



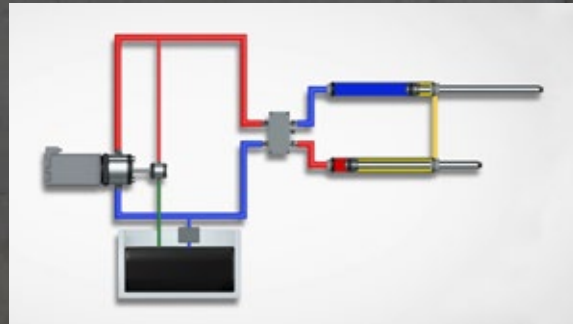
Powerbloc QR code

HCC

Semi-closed oil circuit

The innovative Powerbloc drive unit is complemented by a newly designed, highly efficient semi-closed oil circuit. This guarantees that all drives are permanently supplied with reliable and powerful hydraulic power.

The new Liebherr own system combines the advantages of the proven open and closed hydraulic systems currently on the market, without their disadvantages. The system operates without a storage pump and without a reservoir. The required oil volume is significantly reduced, which saves costs and weight.



HCC QR code

Equipment and accessories

Lighting

Numerous LED headlights on the entire vehicle ensure optimal visibility during low-light operations.

This ensures comfortable and safe working conditions. We will be happy to assist you with customizable options.



LIEBHERR

Secure with safety

Safety is our top priority

We are committed to the applicable safety rules. In the development of Liebherr truck mounted concrete pumps, safety for people and the machine is the top priority. We observe our machines in use and continuously improve them.

Our truck mounted concrete pumps have:

- Large treads and platforms
- Height-adjustable steps on the left (ergonomics)
- Good accessibility and ergonomic arrangement of the control stations
- Full railings and fall protection devices
- A broad LED lighting concept for work in poor lighting conditions or work at construction sites at night
- Illumination of the control stations
- Radio remote control with flashlight function and control panel illumination as well as vibration alarm and emergency stop function in case of a fall (dead man's switch)

Always on the safe side with XXA 3

The XXA 3 stability assistance system indicates the possible slewing range of the boom as well as the correct positioning of the machine.

Digital inclination monitoring

The safety of man and machine is ensured thanks to the digital inclination monitoring. When setting up the machine, the machine tilt is monitored. The two-stage inclination monitoring even allows excessive tilting of up to 5° under restricted operating conditions and alerts the machine operator and the surrounding area of the construction site via radio display and signal light.

Safe working in any situation:

- Digital inclination monitoring
- Traffic light on the boom for additional visualization of the machine status at the construction site

Note: The XXA 3 stability assistance system is only available for 36 XXT machines.



Spacious treads and platforms

Spacious steps for safe access to all control points on the machine and for cleaning the feed hopper.



Signal light

Signal light on the concrete boom for visual status display of the XXA 3 stability assistance system at the construction site.



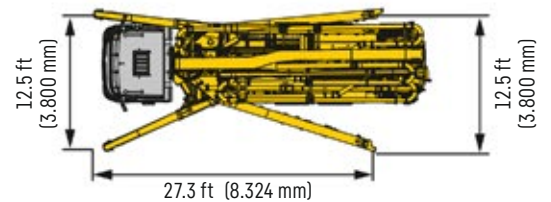
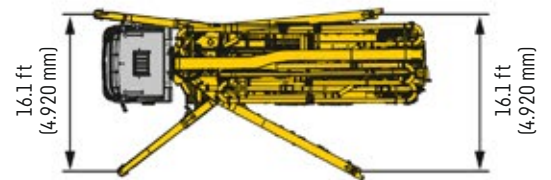
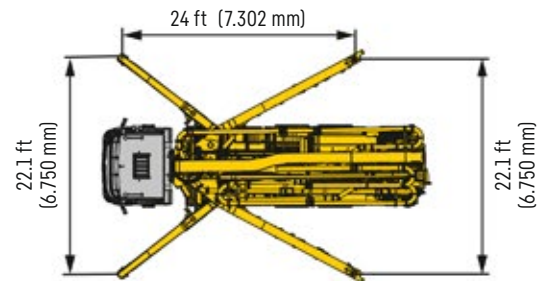
Remote control

The radio remote control informs the operator about all important machine data.

36 XXT technical data



Standard version. Dimensions and total weight may change depending on pump type and chassis.

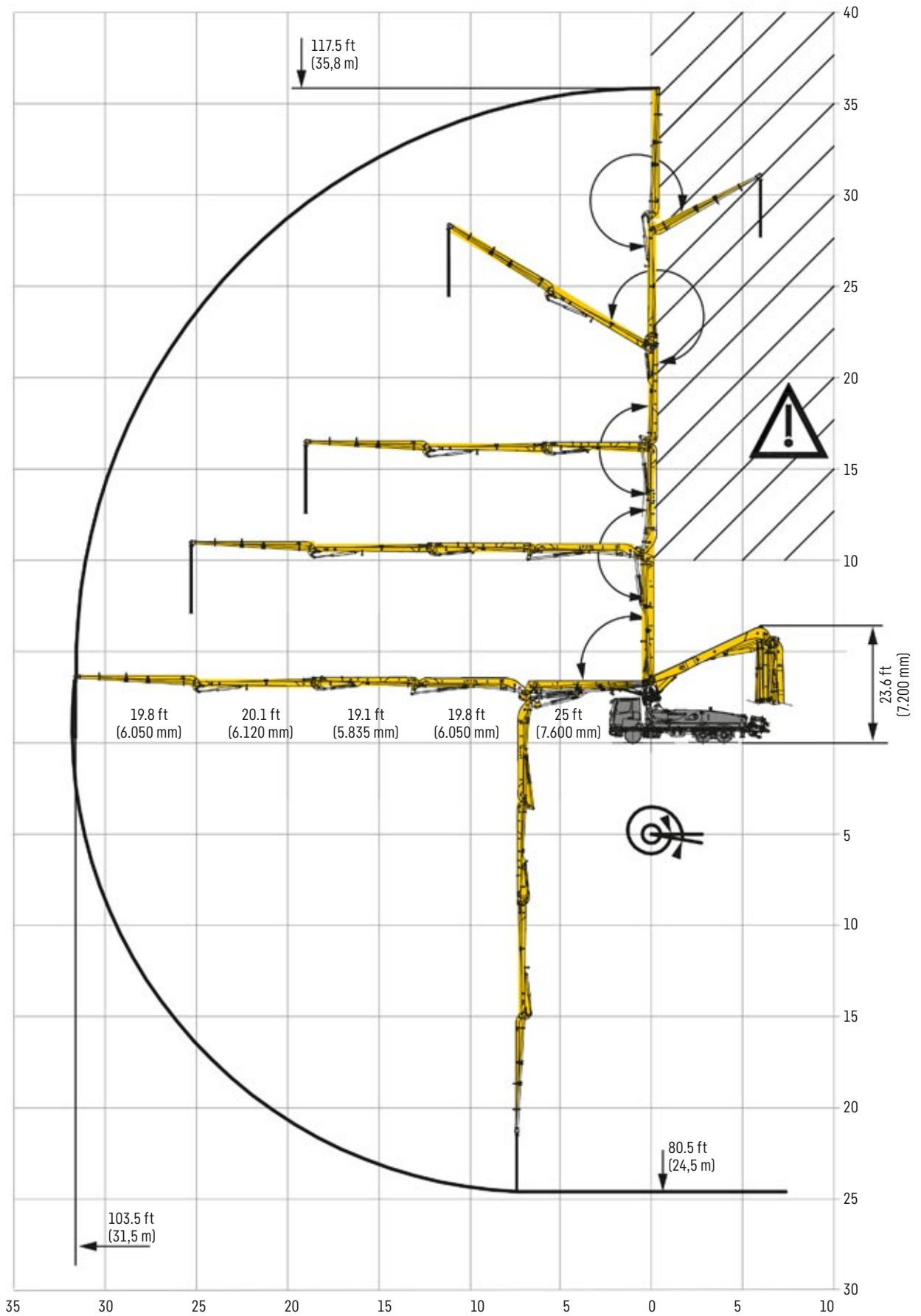


Technical data

Boom	36 M5
Vertical range	117.5 ft (35.8 m)
Horizontal range	103.3 ft (31.5 m)
Unfolding height	23.62 ft (7.2 m)
Swivel range	365°
Angle range of arm 1	96°
Angle range of arm 2	180°
Angle range of arm 3	180°
Angle range of arm 4	240°
Angle range of arm 5	240°
Conveyor line diameter	5" (125 mm)
End hose length	13.1 ft (4 m)
Voltage	24 V

Concrete pump	THP 140 Powerbloc	THP 170 Powerbloc
Max. flow rate (piston side)	188 yd ³ /h (144 m ³ /h)	218 yd ³ /h (167 m ³ /h)
Max. concrete pressure (piston side)	1,160 psi (80 bar)	1,160 psi (80 bar)
Pump cycles (piston side)	29 rpm (29 min ⁻¹)	34 rpm (34 min ⁻¹)
Conveyor cylinder Ø x stroke	9" x 79" (230 mm x 2,000 mm)	9" x 79" (230 mm x 2,000 mm)
Concrete conveying volume / double stroke	44 gal (166 L)	44 gal (166 L)
Max. hydraulic pressure	5,076 psi (350 bar)	5,076 psi (350 bar)
Drive cylinder	4" x 3" x 79" (110 mm / 80 mm / 2,000 mm)	4" x 3" x 79" (110 mm / 80 mm / 2,000 mm)
Hopper capacity	158.5 gal (600 L)	158.5 gal (600 L)
Noise emission (L _{WA})	119 dB	119 dB

* Theoretical performance, actual performance may vary



Customer service



Dedicated customer service network

Good service means close customer proximity.

With our professional service network, we are at your disposal with rapid response times to ensure high machine availability. Reliable machines are the guarantee for your success. Our highly trained service personnel make sure your Liebherr truck mounted concrete pumps operate economically and seamlessly. We help with start-up machine operator instruction and by answering your questions.

Liebherr service partners worldwide

Our customers can rely on a worldwide service network consisting of over 90 service centers (Liebherr companies / partners), 160 service vehicles and 220 qualified service technicians. Our worldwide service centers with all contacts can be found on the Liebherr website or in the MyLiebherr customer portal.

Customer Service

Toll free parts & service:
866 371-4777

e-mail Parts:
concrete.parts.USA@liebherr.com

e-mail Service:
concrete.service.USA@liebherr.com

Liebherr USA, Co.,
Concrete Technology
4800 Chestnut Ave.
Newport News, VA 23607-2420 USA
Fax: 757 928-2489
www.liebherr.com

Hours of Operation
7:30-5:00 EST, Monday-Friday

LIEBHERR



Service-friendly design

During construction, ease of service is a top priority. Wearing parts are easy to replace and important areas are easily accessible.



Our customer portal – MyLiebherr

MyLiebherr is your entry into the Liebherr service world. Through the Liebherr customer portal, our customers benefit from comprehensive service and additional benefits.



Original Liebherr spare parts

Original Liebherr spare parts are subject to strict quality controls, are quickly available worldwide, and guarantee reliable operation and a long service life.

We are here for you!

Personal. Capable. Reliable.



Concrete pumps



Mixing plants



Truck mixers



Conveyor belts



Measuring technology



Mixing systems



Concrete recycling systems

Your powerful partner.

- Delivery and instruction by experienced service technicians
- Worldwide service network with over 90 service centers
- Technical support worldwide
- Fast availability of spare parts
- Professional maintenance and services

Liebherr USA, Co. · 4800 Chestnut Ave. · Newport News VA, 23608
+1 757 240-4250 · www.liebherr.com · liebherr.usa@liebherr.com

Contact us

