
Compact and strong, transport in one

LTR 1150

Telescopic crawler crane
Grue télescopique sur chenilles

LIEBHERR

Mobile and crawler cranes



170 USt



171 ft



249 ft



292 ft

NEW



Technical data

Caractéristiques technique

Dimensions

Encombrement 3

Telescopic crawler crane

Grue télescopique sur chenilles 4-5

Transport

Transport 6-7

Assembly – Version A

Montage – Variante A 8-10

Assembly – Version B

Montage – Variante B 11-13

Crane operation with side inclination

Utilisation de la grue en inclinaison latérale 14

VarioBase®

..... 15

Crane data

Dates de la grue 16

Boom/jib combinations

Configurations de flèche 17

T 18-25

TK/TNZK 26-28

TVK/TVNZK 29-37

TK 38-39

Equipment

Équipement 40-41

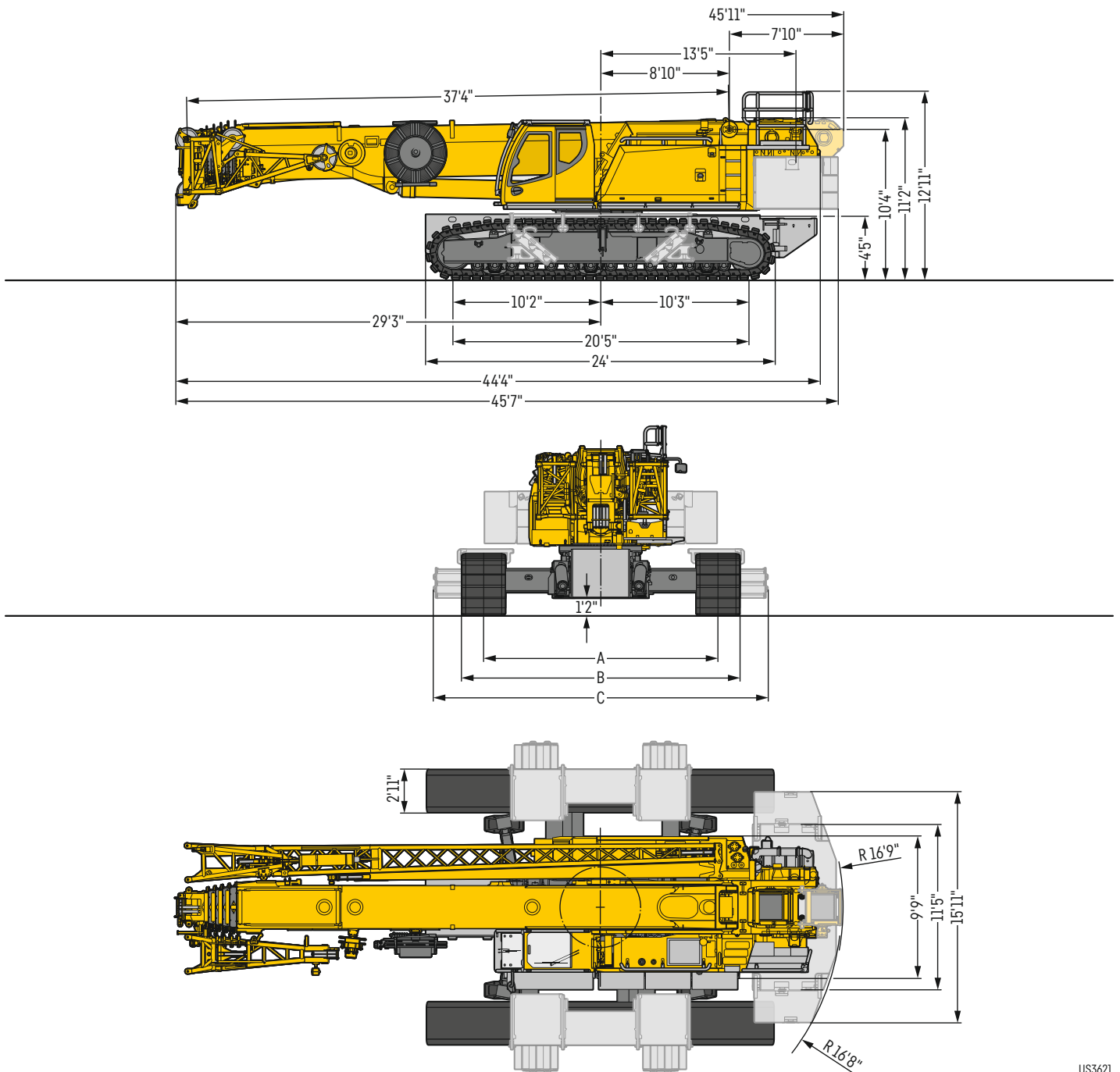
Description of symbols

Explication des symboles 42

Remarks

Remarques 43

Dimensions Encombrement



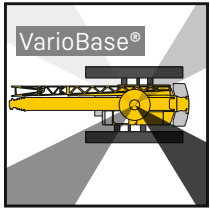
US3621

Dimensions - Encombrement

	11'6"	16'5"	19'
A	8'6"	13'5"	16'1"
B	11'6"	16'5"	19'
C	15'8"	20'7"	23'3"

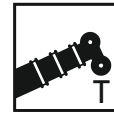
LTR 1150





VarioBase lifting capacity calculation:
 The best possible lifting capacity is calculated in real time by the LICCON2 crane control based on the track width and slewing angle.

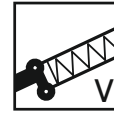
VarioBase Calcul de la capacité de charge :
 La commande de grue LICCON2 permet de déterminer en temps réel la capacité de charge optimale en fonction de la largeur de la voie et de l'angle de rotation.



171 ft



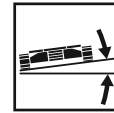
35 ft – 62 ft



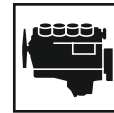
3 x 23 ft



9 ft 6 in



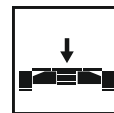
max. 4°



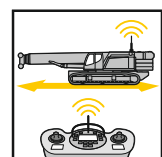
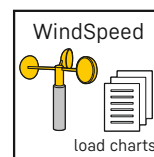
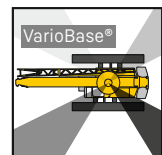
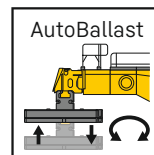
218 kW (296 h.p.)



90,400 lb



48,500 lb

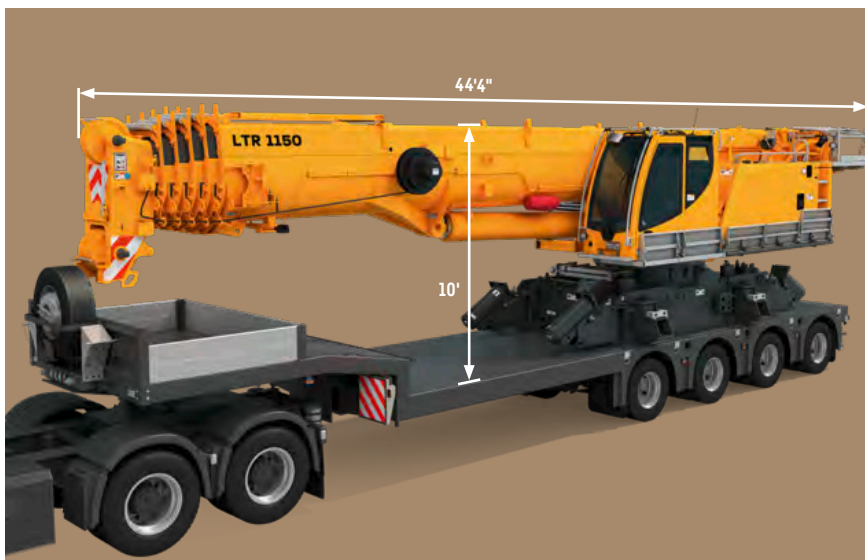


Transport

Transport



with crawlers
avec chenilles

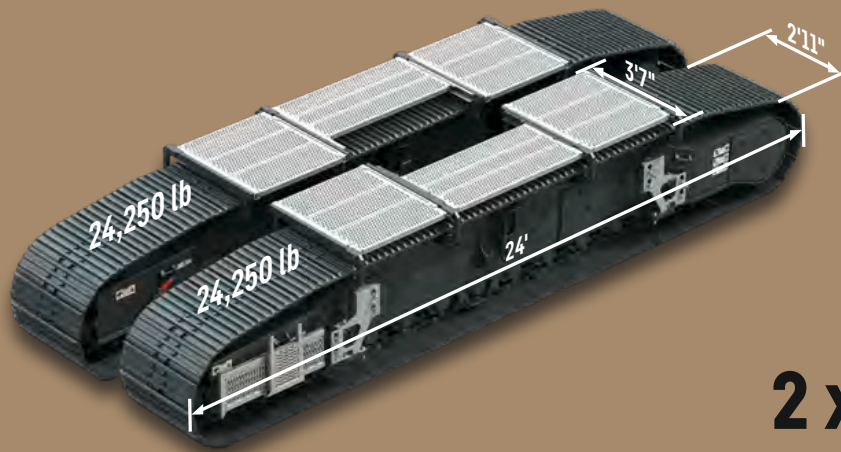


without crawlers (option)
sans chenilles (option)



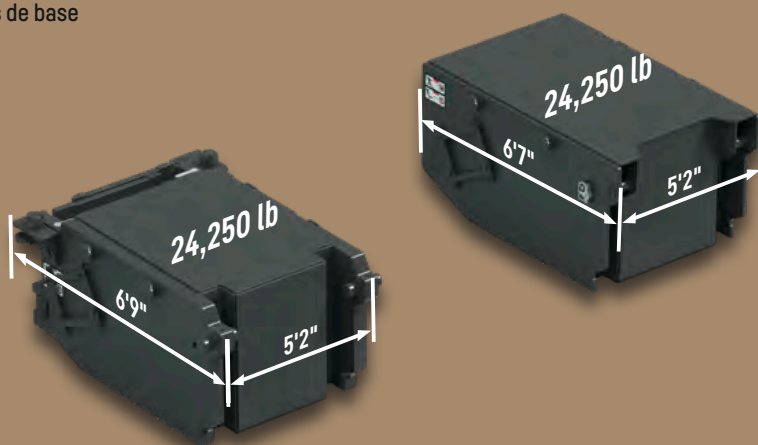
Transport Transport

Crawler carrier
Longerons



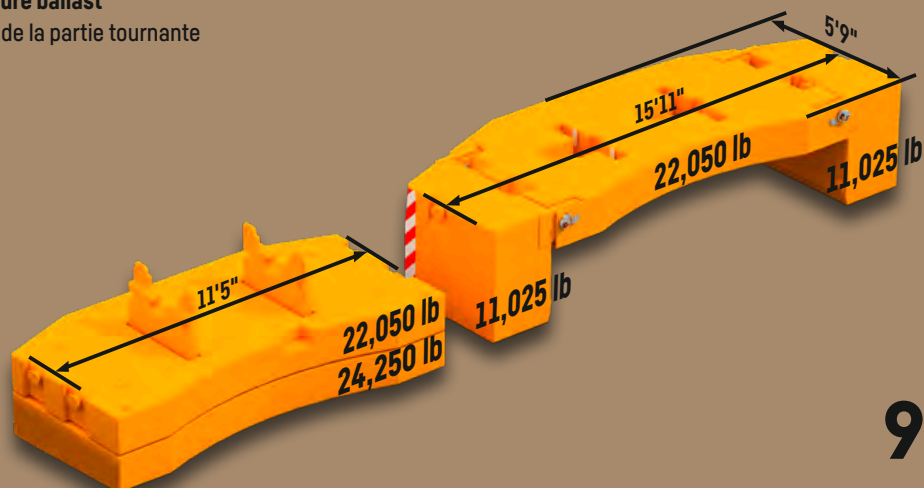
2 x 24,250 lb

Center counterweight
Contrepoids de base



2 x 24,250 lb

Superstructure ballast
Contrepoids de la partie tournante

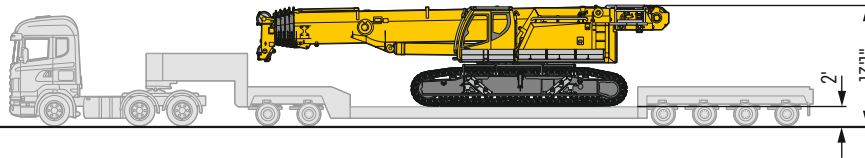


90,400 lb

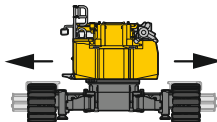
Assembly – Version A

Montage – Variante A

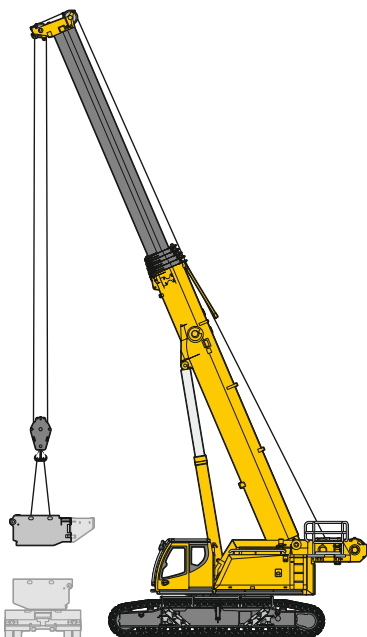
1



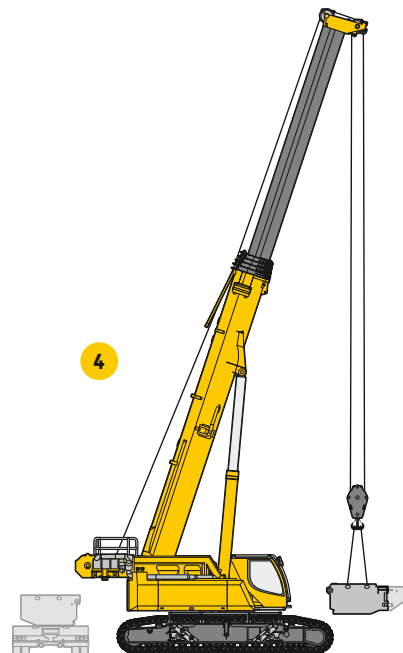
2



3



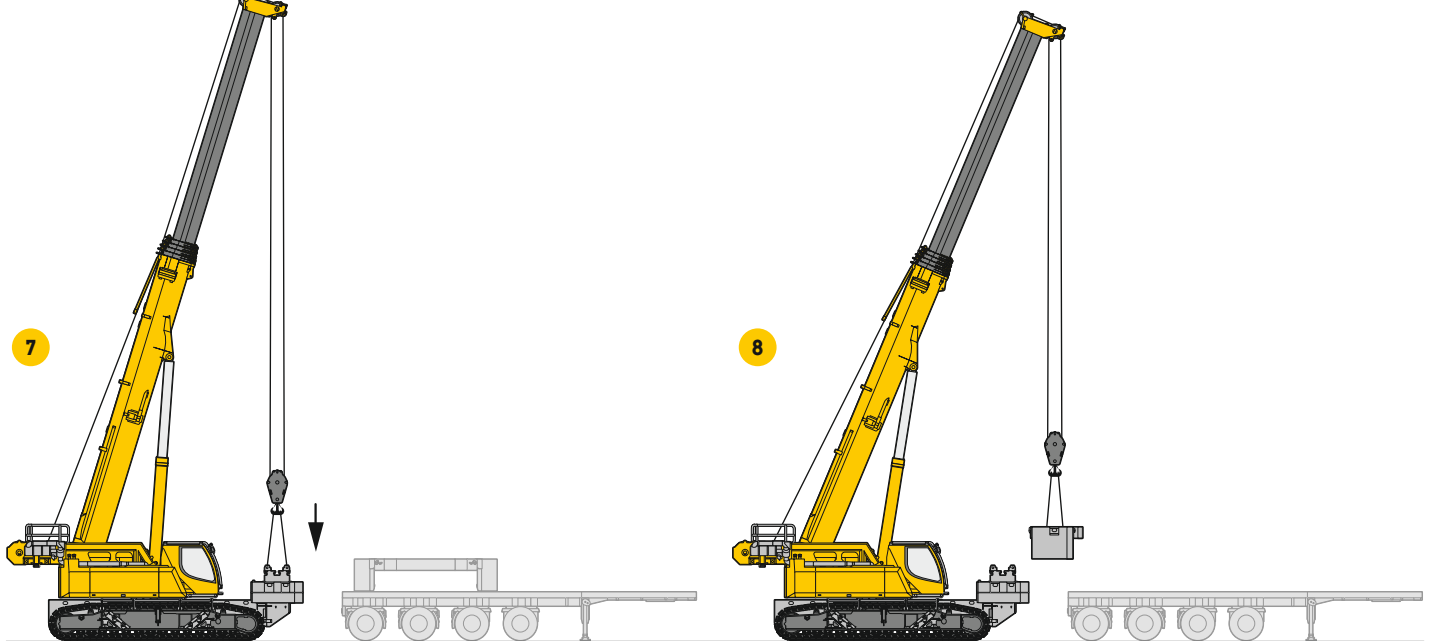
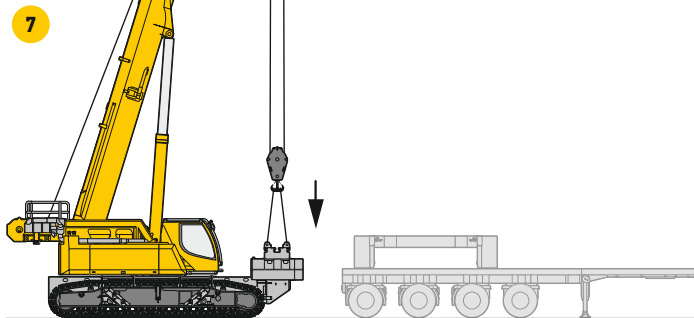
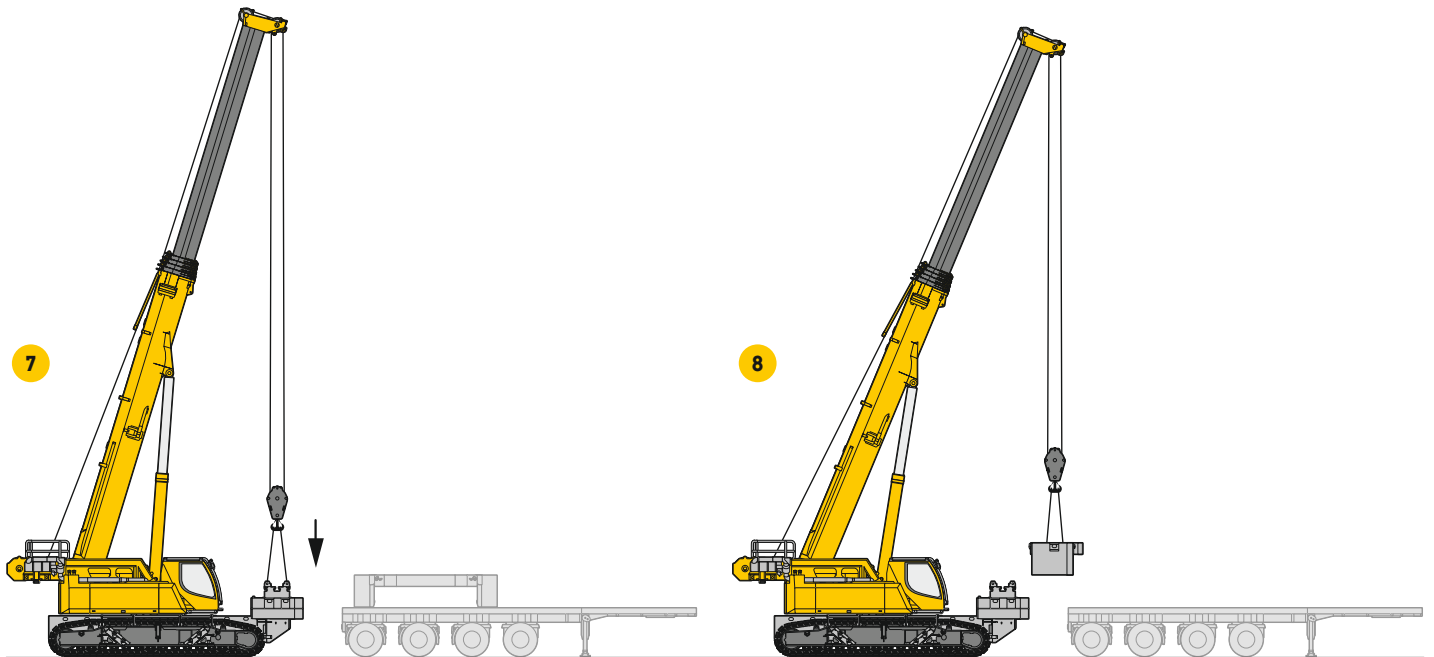
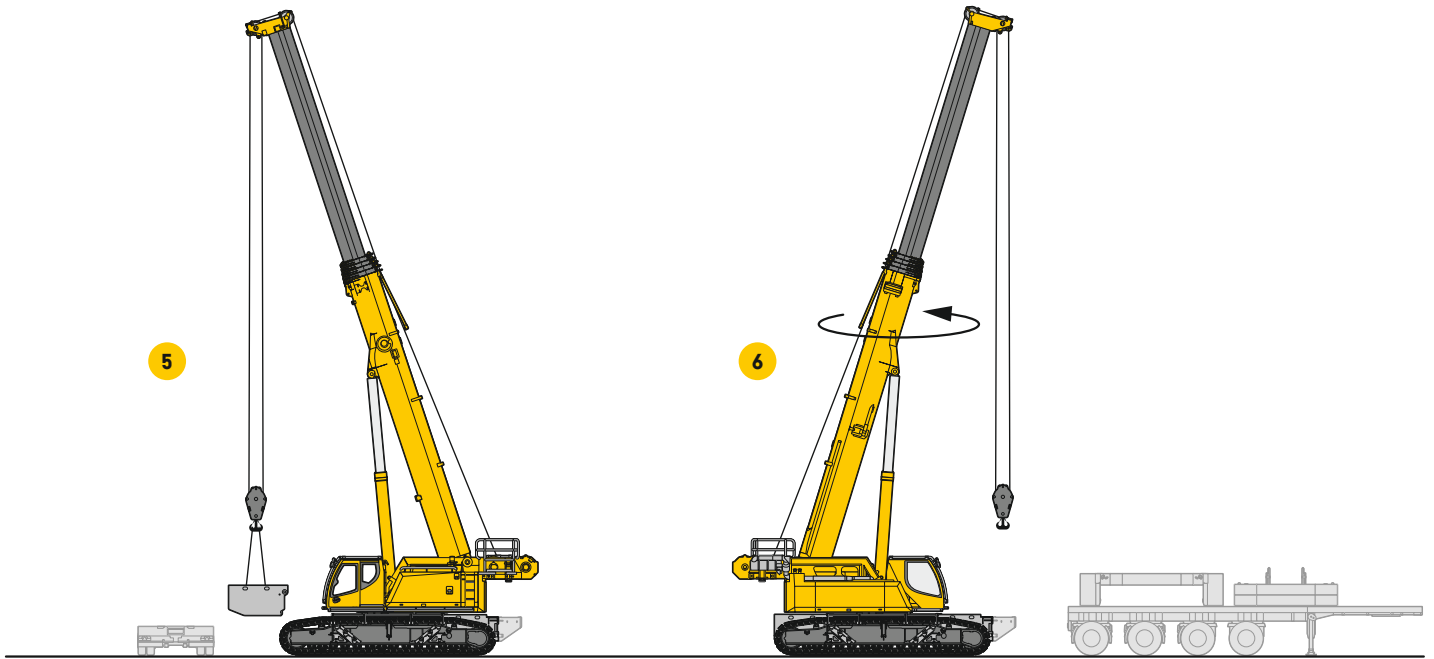
4



Assemble the central ballast 2x 24,250 lb / Extend the support frame for the superstructure ballast
Montage du lest central 2 x 24,250 lb / extension de la réception du lest à plate-forme tournante

Assembly – Version A

Montage – Variante A

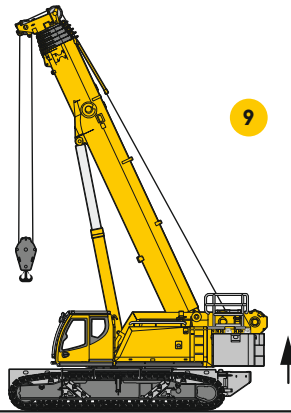


Assemble superstructure ballast
Montage du lest à plate-forme

US3642

Assembly – Version A

Montage – Variante A

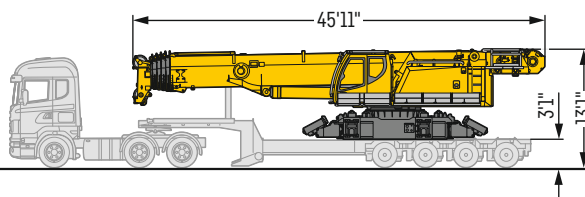


US3642

Assembly – Version B

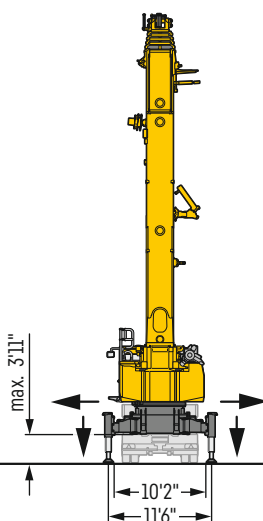
Montage – Variante B

1



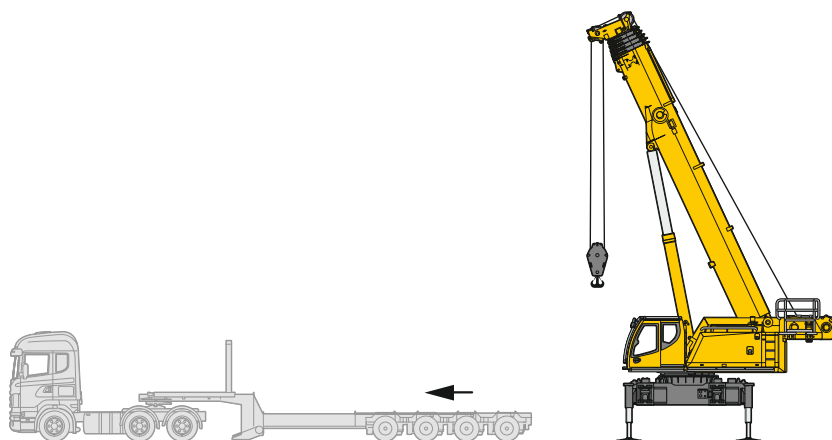
Transport width 9 ft 10 in / Transport weight < 88,200 lb
Largeur de transport 9 ft 10 in / poids de transport < 88,200 lb

2



Extend the 4 jack-up cylinders* / Support the crane
Extension des 4 vérins Jack-Up* / stabilisation de la grue

3

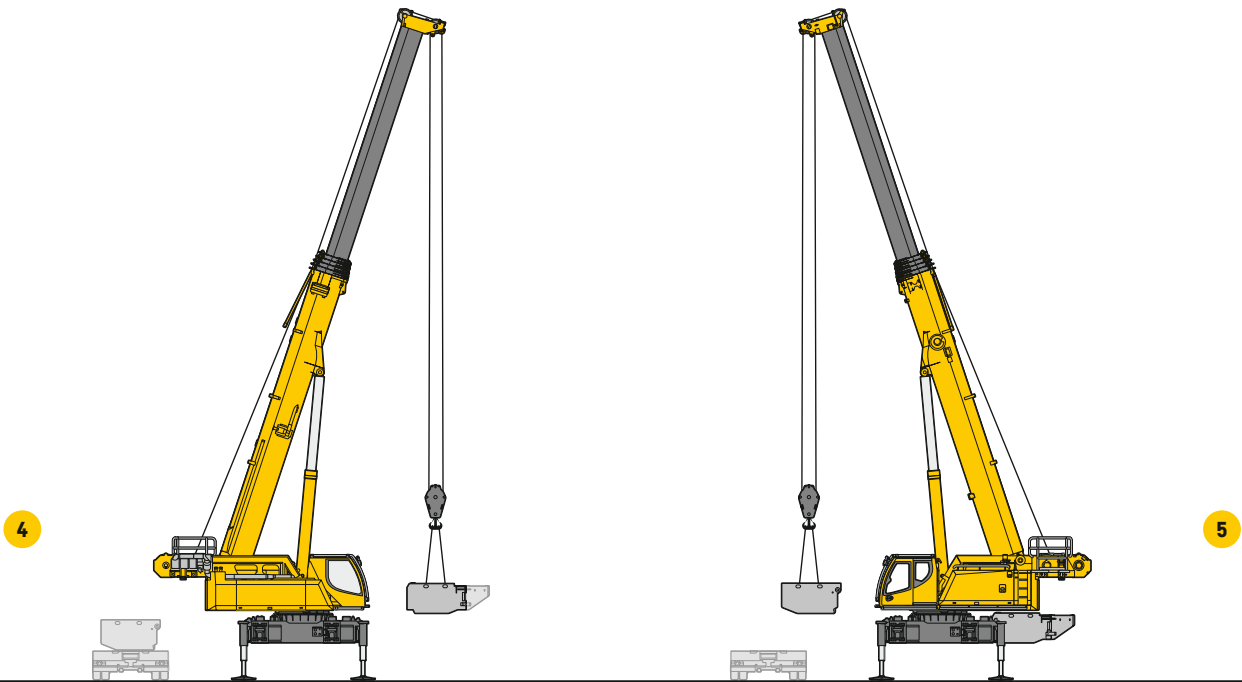


* Optional / option

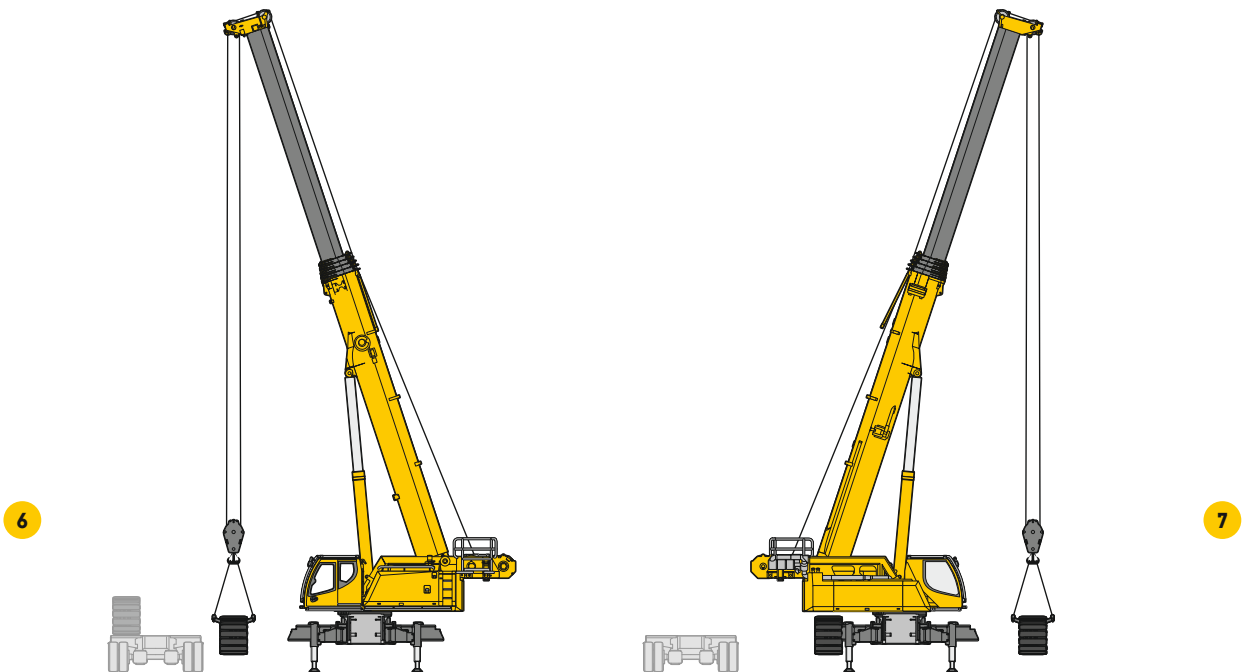
US3625

Assembly – Version B

Montage – Variante B



Assemble the central ballast 2x 24,250 lb / Extend the support frame for the superstructure ballast
Montage du lest central 2 x 24,250 lb / extension de la réception du lest à plate-forme tournante



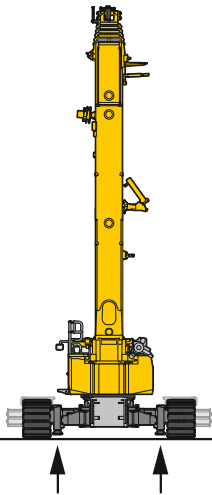
Extend the crawler tracks / Assemble the crawler tracks
Sortir les supports transversaux / montage des chenilles

US3625

Assembly – Version B

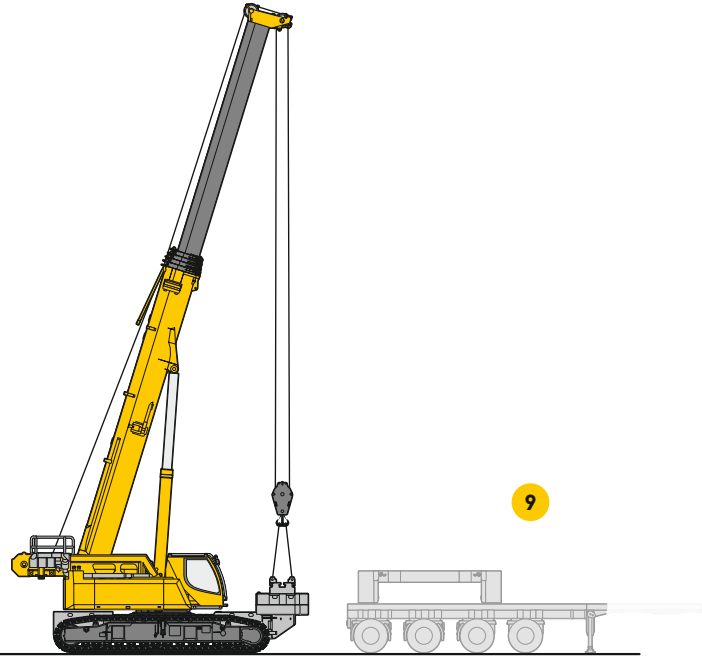
Montage – Variante B

8



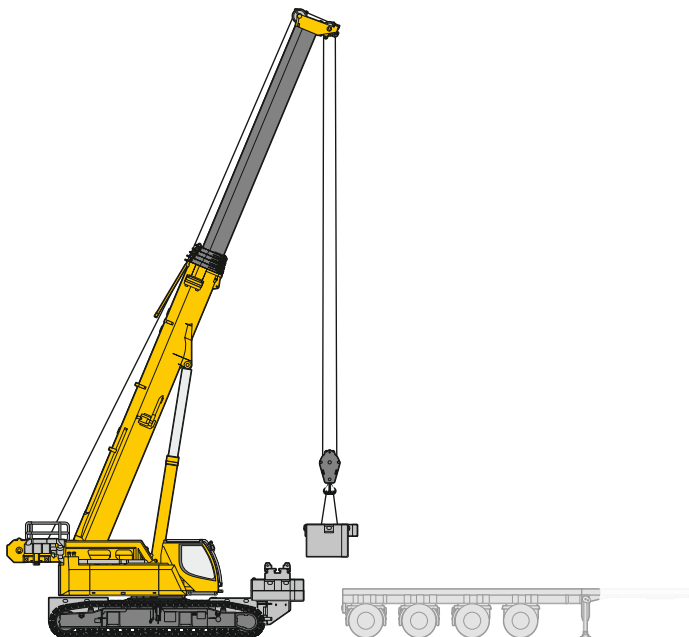
Retract the 4 jack-up cylinders / Raise into working position
Rétraction des 4 vérins Jack-Up / les relever en position de travail

9



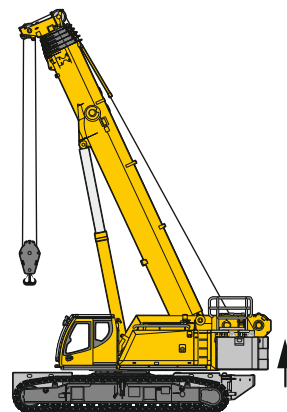
Assemble superstructure ballast
Montage du lest à plate-forme

10



Assemble superstructure ballast
Montage du lest à plate-forme

11



Crane operation with side inclination

Utilisation de la grue en inclinaison latérale



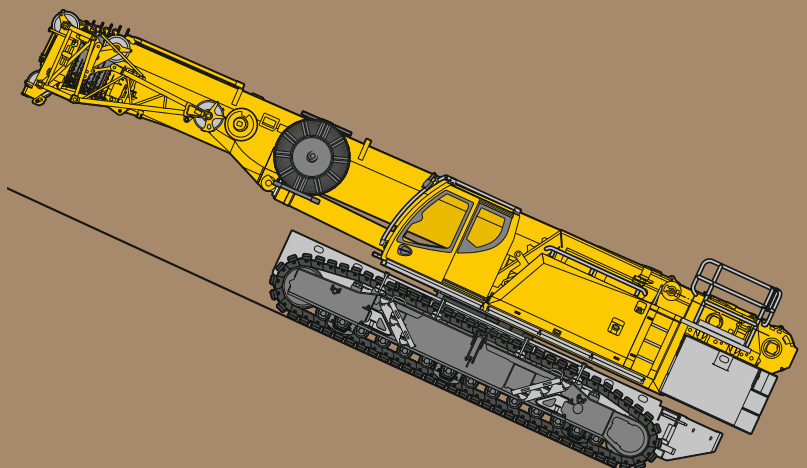
Additional operational possibilities are offered by the load charts programmed as standard for working with main boom and assembly jib on surfaces with an inclination up to 4°.

Les possibilités d'application de la grue sont étendues grâce aux tableaux des charges programmés de série permettant d'utiliser la grue avec une inclinaison latérale pouvant aller jusqu'à 4°.

46 %

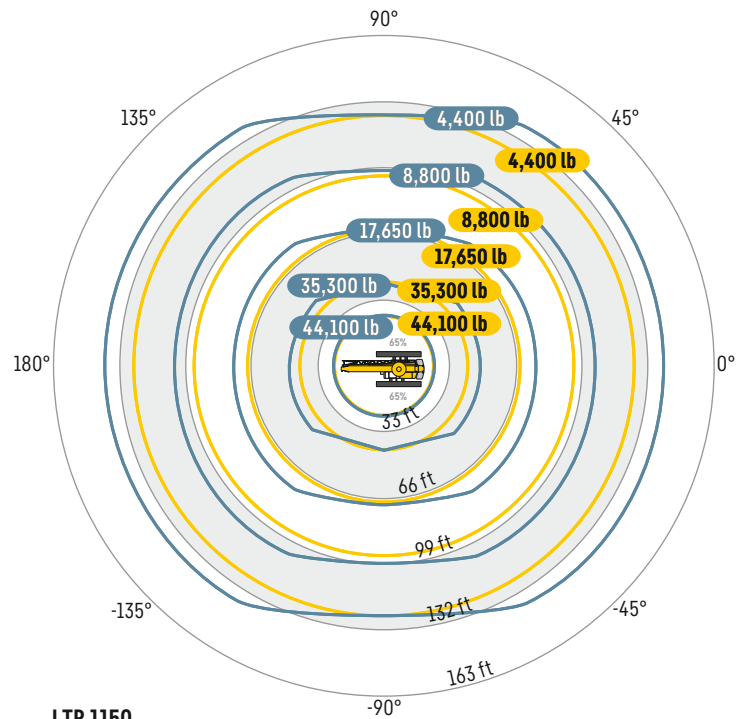
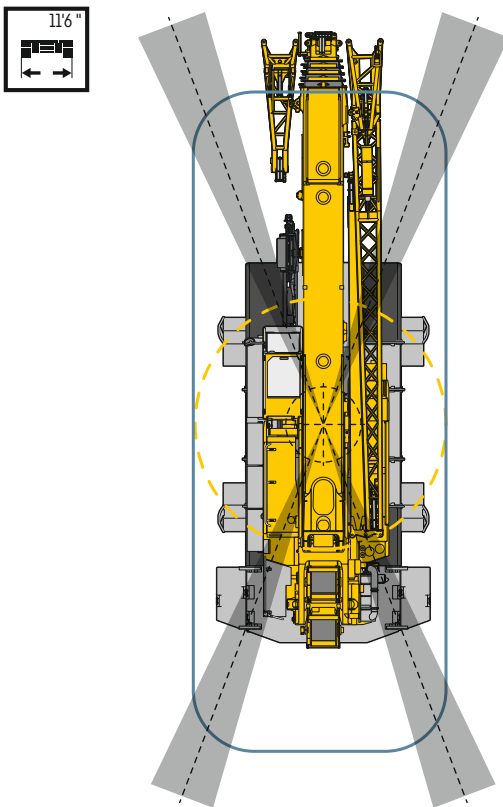
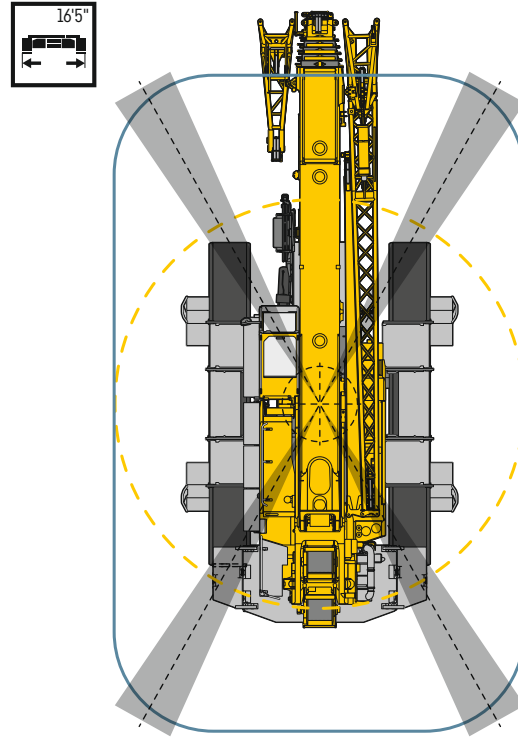
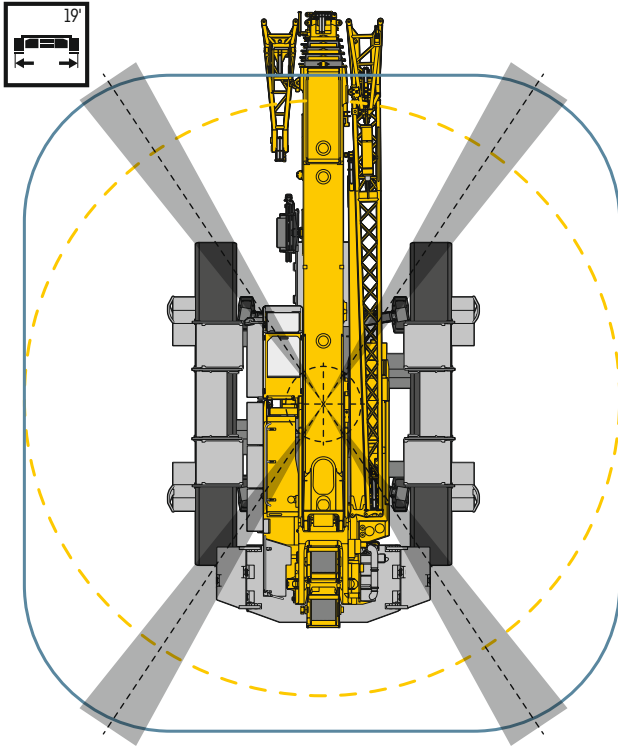
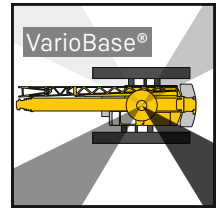
Gradeability

Pente max. gravie



S3697

VarioBase®








LTR 1150







Working range 360° table - Zone de travail 360° tableau
VarioBase working range - Zone de travail VarioBase

Crane data










Dates de la grue

	Total driving force Puissance propulsive totale	175,350 lb
	Total weight with 90,400 lb counterweight, 48,500 lb central ballast, and 3-sheave hook block Poids total avec contrepoids de 90,400 lb, lest central de 48,500 lb, et moufle à crochet à 3 poulies	~271,200 lb
	Average ground pressure without jack-up cylinders at ~271,200 lb total weight and with 2 ft 11 in track pads Pression au sol moyenne sans vérin Jack-up pour un poids total de ~271,200 lb et des tuiles de 2 ft 11 in	15.93 lb/inch ²
	Travel speeds · Vitesses de translation	0 – 1.4 mph
	Max. permissible gradability · Pente admissible maxi.	46 %

Hook block - Moufles à crochet

			
257,700 lb	7	14	2,750 lb
189,600 lb	5	10	2,100 lb / 1650 lb
135,800 lb	3	7	1,550 lb / 1,100 lb
60,000 lb	1	3	1,000 lb
23,300 lb	-	1	770 lb

Crane superstructure - Partie tournante

				
	0 – 413 ft/min single line · au brin simple	21 mm	722 ft	20,590 lb
	0 – 413 ft/min single line · au brin simple	21 mm	722 ft	20,590 lb
	0 – 1.38 rpm			
	approx. 60 seconds to reach 82° boom angle env. 60 s jusqu'à 82°			
	approx. 270 seconds for boom extension from 37 ft – 171 ft env. 270 s pour passer de 37 ft – 171 ft			

Boom/jib combinations

Configurations de flèche

T	Telescopic boom - Flèche télescopique
K/NZK	Mechanically/hydraulically adjustable folding jib - Pointe pliante réglable mécaniquement/hydrauliquement
V	Telescopic boom extension - Rallonge de flèche télescopique
K	Assembly jib - Fléchette de montage

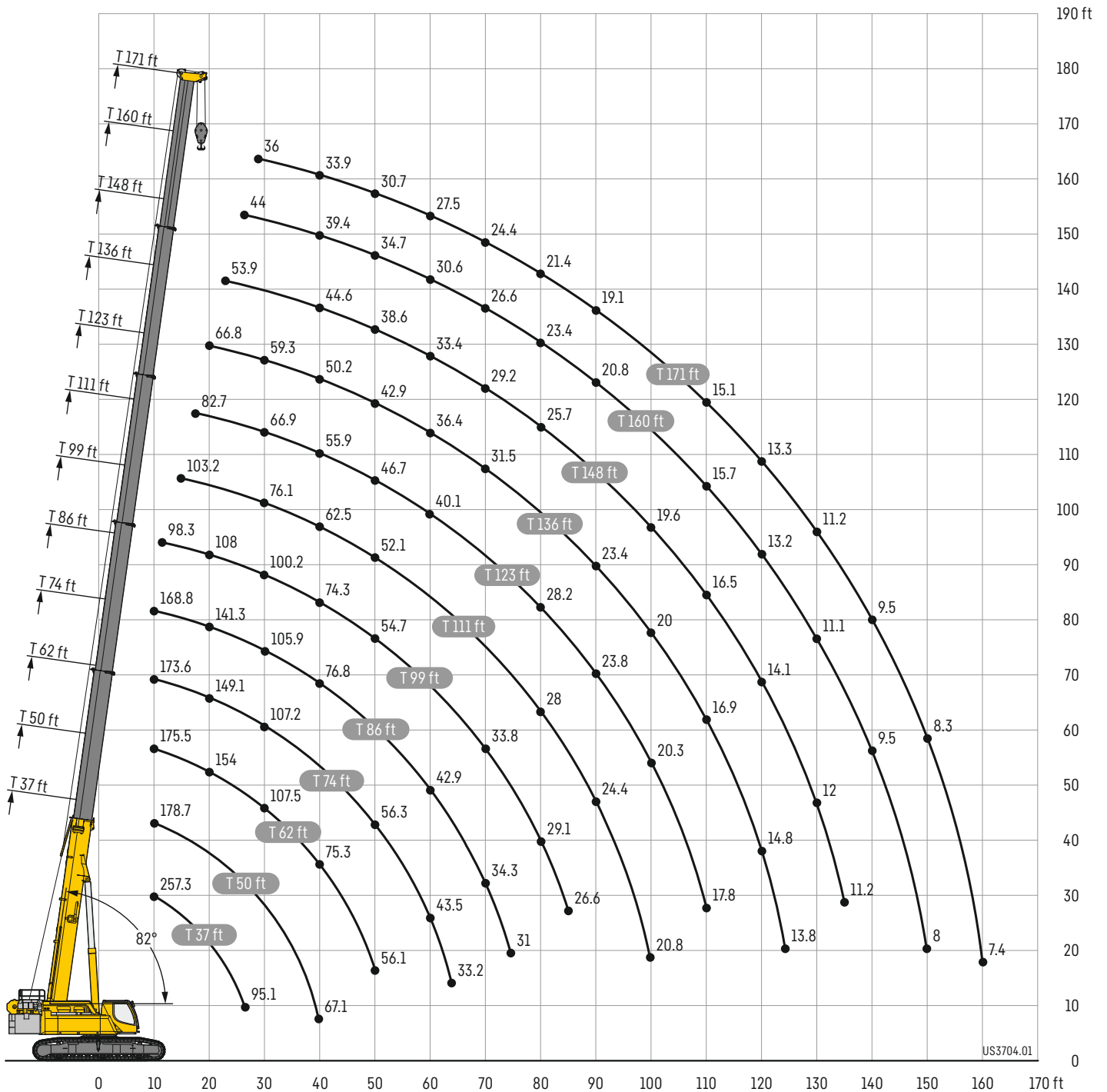


S3624.02

Lifting heights

Hauteurs de levage

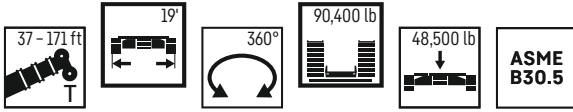
T



Lifting capacities

Forces de levage

T



	37 ft		50 ft	62 ft	74 ft	86 ft	99 ft	111 ft	123 ft	136 ft	148 ft	160 ft	171 ft	
	*													
10	257.3	189.6	178.7	175.5	173.6	168.8								10
11	250.3	189.6	180.2	176.3	174.2	165.6	98.3							11
12	229	189.6	181.9	177.2	174.8	162.5	128.9							12
13	219.9	189.6	183.5	178.3	175.6	158.7	126.5							13
14	210.6	189.6	185.1	179.5	176.1	154.4	123.9	103.2						14
15	200.6	188.7	184.2	179.7	174.8	150.2	121.2	101.7						15
16	190.5	180.9	180	177.7	168.8	146	118.4	99.8						16
17	181.1	173.2	173.9	172.3	163.5	141.8	115.6	98.2	82.7					17
18	172.5	166.1	166.7	166.7	158.5	140.3	113	97.1	81.9					18
19	164.9	159.7	160	159.9	153.8	140.9	110.5	96	80.8					19
20	157.9	153.8	154.1	154	149.1	141.3	108	94.7	79.6	66.8				20
22	145.1	142.7	143.8	143.2	141.1	136.9	103.4	90.7	77.5	65.7				22
24	134.3	133.3	134.4	134.8	133.6	130	103.2	87	74.8	64.2	53.9			24
26	120.5	120.8	125.1	125.5	125.2	122.9	103.9	83.1	72.2	62.6	53	44		26
28	95.1	95.3	115.4	116.2	115.7	115	102.7	79.5	69.4	61.1	52	43.6	36	28
30			106.9	107.5	107.2	105.9	100.2	76.1	66.9	59.3	51.1	43.1	35.8	30
32			99.4	100.1	99.9	98	96.8	73.1	64.6	57.3	50	42.5	35.6	32
34			92.9	93.6	93.2	93.5	90.2	70.5	62.1	55.5	48.6	42	35.2	34
36			86.9	87.6	87.2	88.7	84.4	67.6	59.8	53.7	47.2	41.2	34.8	36
38			80.3	81.2	81	82.8	79.2	65	57.8	51.9	45.9	40.4	34.4	38
40			67.1	75.3	77.3	76.8	74.3	62.5	55.9	50.2	44.6	39.4	33.9	40
45				64.3	65.4	64.9	63.7	56.6	51.1	46.4	41.2	37	32.4	45
50				56.1	56.3	55.8	54.7	52.1	46.7	42.9	38.6	34.7	30.7	50
55					49.2	48.6	47.5	47.6	43	39.4	36	32.6	29.1	55
60					43.5	42.9	41.8	42.1	40.1	36.4	33.4	30.6	27.5	60
65					33.2	38.2	37.7	37.8	37.4	33.8	31.2	28.5	25.9	65
70						34.3	33.8	34.3	33.9	31.5	29.2	26.6	24.4	70
75						31	31.5	30.9	31.1	29.5	27.4	24.9	22.8	75
80							29.1	28	28.2	27.6	25.7	23.4	21.4	80
85							26.6	26	25.7	25.7	24.1	22.1	20.2	85
90								24.4	23.8	23.4	22.7	20.8	19.1	90
95								22.5	21.9	21.8	21	19.5	18	95
100								20.8	20.3	20	19.6	18.4	17	100
105									18.8	18.3	18	17.1	16	105
110									17.8	16.9	16.5	15.7	15.1	110
115										15.7	15.2	14.4	14.3	115
120										14.8	14.1	13.2	13.3	120
125										13.8	13	12.1	12.2	125
130											12	11.1	11.2	130
135											11.2	10.2	10.2	135
140												9.5	9.5	140
145												8.9	8.9	145
150												8	8.3	150
155													7.8	155
160													7.4	160

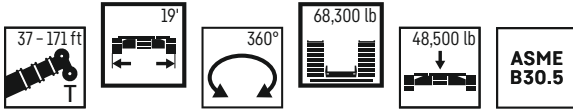
* over rear - en arrière

t_307_001_00014_00_000 / 307_001_00114_00_000-v

Lifting capacities

Forces de levage

T



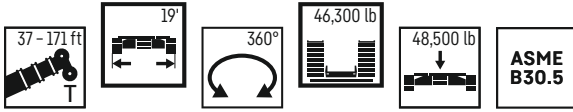
	37 ft	50 ft	62 ft	74 ft	86 ft	99 ft	111 ft	123 ft	136 ft	148 ft	160 ft	171 ft	
10	189.6	178.7	175.5	173.6	168.8								10
11	189.6	180.2	176.3	174.2	165.6	98.3							11
12	189.6	181.9	177.2	174.8	162.5	128.9							12
13	189.6	183.5	178.3	175.6	158.7	126.5							13
14	189.6	185.1	179.5	176.1	154.4	123.9	103.2						14
15	185.8	183.5	179.7	174.8	150.2	121.2	101.7						15
16	178	177.4	177.3	168.8	146	118.4	99.8						16
17	170.4	171.1	170.6	163.5	141.8	115.6	98.2	82.7					17
18	163.4	164	164	158.5	140.3	113	97.1	81.9					18
19	157.1	157.4	157.3	153.8	140.9	110.5	96	80.8					19
20	151.2	151.6	151.3	148.7	140.9	108	94.7	79.6	66.8				20
22	137.9	139.7	140.8	136.6	130.1	103.4	90.7	77.5	65.7				22
24	125.4	127.2	127.9	124.6	117.4	103.2	87	74.8	64.2	53.9			24
26	114.7	116.7	117.3	113.1	106.5	102	83.1	72.2	62.6	53	44		26
28	95.3	107.6	108.3	103.1	98	95.6	79.5	69.4	61.1	52	43.6	36	28
30		97.5	98.4	94.6	93	88.3	76.1	66.9	59.3	51.1	43.1	35.8	30
32		88.1	89.1	90.1	86.1	82	73.1	64.6	57.3	50	42.5	35.6	32
34		80.4	81.3	83.4	80.3	76.2	70.5	62.1	55.5	48.6	42	35.2	34
36		73.5	75.5	76.6	75.1	71.2	67.6	59.8	53.7	47.2	41.2	34.8	36
38		67.7	70.3	70.6	70	66.7	64.1	57.8	51.9	45.9	40.4	34.4	38
40		62.7	65.3	65.6	65	62.5	61.3	55.9	50.2	44.6	39.4	33.9	40
45			55	55.3	54.7	53.5	53	51	46.4	41.2	37	32.4	45
50			47.2	47.3	46.8	46.5	46.5	45.9	42.9	38.6	34.7	30.7	50
55				41.2	40.7	41.2	40.7	40.7	39.2	36	32.6	29.1	55
60				36.3	35.7	36.8	35.8	36	35.2	33.4	30.6	27.5	60
65				32.3	31.6	32.7	32.6	32	31.8	31	28.5	25.9	65
70					28.2	29.3	29.3	29.1	28.8	27.9	26.6	24.4	70
75					25.4	26.4	26.4	26.2	25.8	25.5	24.5	22.8	75
80						23.9	23.9	24	23.4	22.8	22	21.4	80
85						21.8	21.6	21.9	21.3	20.6	19.7	19.8	85
90							19.6	19.9	19.3	18.6	17.7	17.8	90
95							17.9	18.1	17.5	16.8	16	16	95
100							16.4	16.6	16	15.3	14.4	14.5	100
105								15.2	14.5	13.9	13	13.1	105
110								14	13.3	12.6	11.7	11.9	110
115									12.2	11.5	10.6	10.7	115
120									11.2	10.5	9.7	9.8	120
125									10.3	9.7	8.9	9	125
130										9	8.3	8.3	130
135										8.4	7.6	7.7	135
140											7.1	7.1	140
145											6.6	6.5	145
150											6.2	6.1	150
155												5.6	155
160												5.1	160

t_307_001_00113_00_000-v

Lifting capacities

Forces de levage

T



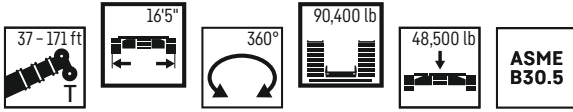
	37 ft	50 ft	62 ft	74 ft	86 ft	99 ft	111 ft	123 ft	136 ft	148 ft	160 ft	171 ft	
10	189.6	178.7	175.5	173.6	168.8								10
11	189.6	180.2	176.3	174.2	165.6	98.3							11
12	189.6	181.9	177.2	174.8	162.5	128.9							12
13	189.6	183.5	178.3	175.6	158.7	126.5							13
14	189.6	184.1	179.5	176.1	154.4	123.9	103.2						14
15	182.5	181.4	179.1	174.8	150.2	121.2	101.7						15
16	174.6	174.4	174.1	164.7	146	118.4	99.8						16
17	167.1	167.8	164.7	153.6	141.8	115.6	98.2	82.7					17
18	158.5	159.6	155.1	143	134.4	113	97.1	81.9					18
19	149.6	150.3	143.8	137.6	127.5	110.5	96	80.8					19
20	141.6	142.4	137.5	128.3	119.7	108	94.7	79.6	66.8				20
22	127.4	127.9	121.5	113.9	106.7	103	90.7	77.5	65.7				22
24	112.2	113.9	108.3	102.3	99.4	94	86.7	74.8	64.2	53.9			24
26	97.8	100.8	97.7	95.6	90.6	85.1	81.5	72.2	62.6	53	44		26
28	86.3	89.3	89.9	87.2	83.1	78.2	75.5	69.4	61.1	52	43.6	36	28
30		79.8	82.6	80.1	76.2	72	69.8	66	59.3	51.1	43.1	35.8	30
32		71.9	74.8	74	70.4	67.6	64.7	62.1	57.3	50	42.5	35.6	32
34		65.4	68.2	68.3	65.5	62.8	61	58.1	55.5	48.6	42	35.2	34
36		59.6	62.5	62.8	61.1	58.5	56.9	55	52.6	47.2	41.2	34.8	36
38		54.8	57.5	57.7	56.9	54.7	53.5	52.2	49.5	45.9	40.4	34.4	38
40		50.6	53.2	53.5	52.9	52.1	50.4	49	47.2	44.6	39.4	33.9	40
45			44.5	44.8	44.3	45	44.6	42.9	41.3	39.8	37	32.4	45
50			37.9	38.1	37.6	38.8	38.8	37.8	36.8	35.6	33.9	30.7	50
55				33	32.4	33.6	33.6	33.7	33.1	31.6	30	28.8	55
60				28.8	28.2	29.4	29.4	29.8	29.3	28.1	26.7	26.3	60
65				25.5	24.8	26	25.8	26.3	25.6	24.9	23.8	23.5	65
70					22	23	22.9	23.2	22.5	21.8	21	21	70
75					19.6	20.4	20.3	20.7	20.1	19.3	18.4	18.5	75
80						18.3	18.1	18.4	17.8	17.1	16.3	16.3	80
85						16.4	16.2	16.5	15.9	15.3	14.4	14.5	85
90							14.6	14.9	14.3	13.6	12.7	12.8	90
95							13.1	13.4	12.8	12.1	11.2	11.3	95
100							11.9	12.1	11.5	10.8	10	10.1	100
105								11	10.3	9.7	9	9.1	105
110								10	9.4	8.9	8.2	8.3	110
115									8.7	8.1	7.4	7.5	115
120									8	7.4	6.7	6.8	120
125									7.4	6.8	6.1	6.2	125
130										6.3	5.5	5.6	130
135										5.8	5	5	135
140											4.4	4.5	140
145											3.9	4	145
150											3.5	3.5	150
155												3	155
160												2.6	160

t_307_001_00112_00_000-v

Lifting capacities

Forces de levage

T



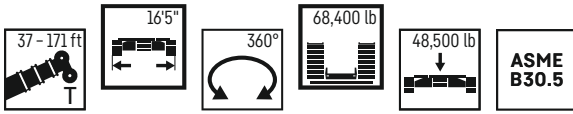
	37 ft	50 ft	62 ft	74 ft	86 ft	99 ft	111 ft	123 ft	136 ft	148 ft	160 ft	171 ft	
17		172.5	161										17
18	166.1	165.2	156.3										18
19	159.7	158.5	158.6										19
20	153.6	153.8	152.3										20
22	141.4	142.6	140.9	131.8	110.5								22
24	129.2	130.8	126.6	122.6	115.9								24
26	116.7	119.5	117.5	112	105.7	89.4							26
28	95.3	107	107.5	102.5	97.4	85.5	78.2						28
30		96.5	97.4	94.5	93	88.4	76.1						30
32		87.6	88.6	90	86.4	82.4	73.1	63.9					32
34		80.3	81.2	83.2	80.7	76.9	70.5	62.1					34
36		73.8	75.7	76.7	75.7	72	67.6	59.8	53.5				36
38		68.2	70.7	71	70.6	67.6	64.7	57.8	51.9				38
40		63.4	65.9	66.1	65.6	63.5	61.7	55.9	50.2	44.6			40
45			55.8	56.1	55.6	54.4	54.1	51.1	46.4	41.2	37		45
50			48.1	48.3	47.8	47.4	47.5	46.3	42.9	38.6	34.7	30.7	50
55				42.2	41.7	41.3	41.6	41.5	39.4	36	32.6	29.1	55
60				37.3	36.7	37.5	36.8	37	35.9	33.4	30.6	27.5	60
65				33	32.7	33.8	33.2	33	32.6	31.2	28.5	25.9	65
70					29.3	30.3	30.3	29.9	29.5	28.8	26.6	24.4	70
75					26.4	27.4	27.4	27.2	26.9	26.2	24.9	22.8	75
80						24.9	24.9	24.6	24.2	23.9	23.1	21.4	80
85						22.7	22.6	22.7	22.1	21.7	20.8	20.2	85
90							20.6	20.9	20.3	19.6	18.7	18.8	90
95							18.9	19.1	18.5	17.8	17	17	95
100							17.4	17.5	16.9	16.2	15.4	15.5	100
105								16.2	15.5	14.8	13.9	14.1	105
110								14.9	14.2	13.5	12.7	12.8	110
115									13.1	12.4	11.5	11.6	115
120									12	11.3	10.5	10.5	120
125									11.2	10.4	9.6	9.7	125
130										9.7	8.9	9	130
135										9	8.3	8.3	135
140											7.7	7.7	140
145											7.2	7.1	145
150											6.7	6.6	150
155												6.2	155
160												5.8	160

t_307_001_00214_00_000-v

Lifting capacities

Forces de levage

T



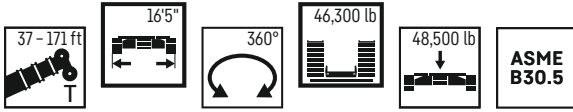
	37 ft	50 ft	62 ft	74 ft	86 ft	99 ft	111 ft	123 ft	136 ft	148 ft	160 ft	171 ft	
10	189.6	178.7	175.5	173.6									10
11	189.6	180.2	176.3	174.2	154.2								11
12	189.6	181.9	177.2	174.8	150.8								12
13	189.6	183.5	178.3	175.6	158.7								13
14	189.6	185.1	179.5	176	154.4	123.2							14
15	185.8	183.5	179.2	174.3	150.2	121.2							15
16	178	177.4	175.7	161.8	146	118.4	97.1						16
17	170.3	170.8	163.6	151	141.8	115.6	98.2						17
18	162.4	162.1	152.4	141.4	133.9	113	97.1	81.9					18
19	155.1	151.9	142.2	136.5	127.2	110.5	96	80.8					19
20	147	142.5	136.4	128	119.9	108	94.7	79.6					20
22	128.5	127.6	121.6	114.5	107.8	103.1	90.7	77.5	65.7				22
24	111.7	114	109.3	103.5	100.7	95.6	87	74.8	64.2	53.9			24
26	98.3	101.1	99.2	96.6	92.3	87	82.3	72.2	62.6	53	44		26
28	87.5	90.3	90.8	89.1	85.1	80.3	77.2	69.4	61.1	52	43.6	36	28
30		81.3	83.7	82.1	78.4	74.2	72.1	66.9	59.3	51.1	43.1	35.8	30
32		73.7	76.4	76.1	72.7	69	67.1	63.7	57.3	50	42.5	35.6	32
34		67.4	70	70.3	67.8	64.8	62.8	60.2	55.5	48.6	42	35.2	34
36		61.7	64.5	64.7	63.5	60.9	58.9	56.7	53.7	47.2	41.2	34.8	36
38		57	59.5	59.8	59.2	57.1	55.5	53.7	51.5	45.9	40.4	34.4	38
40		52.8	55.3	55.5	55	53.6	52.7	51.1	48.9	44.6	39.4	33.9	40
45			46.6	46.9	46.4	47.1	45.7	44.9	43.2	41.2	37	32.4	45
50			40	40.2	39.7	40.9	40.8	39.7	38.5	37.1	34.6	30.7	50
55				35	34.5	35.6	35.6	35.2	34.7	33.7	32.1	29.1	55
60				30.8	30.2	31.3	31.3	31.3	30.9	30.1	28.7	27.4	60
65				27.3	26.7	27.8	27.7	28.2	27.6	26.8	25.7	25.4	65
70					23.8	24.8	24.7	25.1	24.4	23.7	22.8	22.8	70
75					21.3	22.2	22.1	22.4	21.8	21.1	20.2	20.3	75
80						20	19.8	20.1	19.5	18.8	18	18	80
85						18.1	17.8	18.2	17.6	16.9	16	16.1	85
90							16.1	16.4	15.8	15.1	14.2	14.3	90
95							14.6	14.9	14.3	13.6	12.7	12.8	95
100							13.4	13.5	12.9	12.2	11.3	11.5	100
105								12.3	11.6	11	10.1	10.3	105
110								11.3	10.6	9.9	9.2	9.3	110
115									9.7	9.1	8.4	8.5	115
120									9	8.4	7.7	7.8	120
125									8.4	7.8	7	7.1	125
130										7.2	6.5	6.5	130
135										6.7	5.9	5.9	135
140											5.4	5.4	140
145											4.9	4.9	145
150											4.4	4.4	150
155												3.9	155
160												3.5	160

t_307_001_00213_00_000-v

Lifting capacities

Forces de levage

T



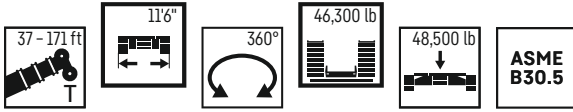
	37 ft	50 ft	62 ft	74 ft	86 ft	99 ft	111 ft	123 ft	136 ft	148 ft	160 ft	171 ft	
10	189.6	178.7	175.5	173.6	168.8								10
11	189.6	180.2	176.3	174.2	165.6	98.3							11
12	189.6	181.9	177.2	174.8	162.5	128.9							12
13	189.6	183.5	175.8	169.9	156.7	126.5							13
14	189.6	176.5	169.9	155.7	145.4	123.9	103.2						14
15	181.7	169.7	155.7	143.5	134.7	121.2	101.7						15
16	169.2	155.6	143.8	134.3	126	116.9	99.8						16
17	155.2	144.2	134	126.7	117.3	112	98.2	82.7					17
18	143.2	135	127.1	118.6	110	105.4	96.6	81.9					18
19	133	125.5	118.5	111.4	103.4	99.4	93.3	80.8					19
20	123	117.7	111.4	104.3	101.1	94.4	90	79.6	66.8				20
22	104.4	103.8	100.8	95.4	90.9	86.1	81.7	76.3	65.7				22
24	90.4	92.7	90.9	86.9	82.3	78.3	74.8	70.9	64.2	53.9			24
26	79.3	82.1	82.5	79.2	74.9	71.2	69.2	65.9	61.6	53	44		26
28	70.3	73.1	75.5	72.3	68.9	66.5	63.7	61.5	58.6	52	43.6	36	28
30		65.6	68.3	66.5	63.3	61.9	59.4	57.1	54.9	51.1	43.1	35.8	30
32		59.2	62	61.6	58.5	57.6	56	53.4	51	48.6	42.5	35.6	32
34		54	56.6	56.9	54.5	53.8	52.4	49.8	48.2	45.6	42	35.2	34
36		49.3	52	52.3	50.9	50.5	48.7	46.8	45.5	43.6	41.2	34.8	36
38		45.3	47.9	48.1	47.4	47.3	45.9	44.3	43.1	41.3	39.2	34.4	38
40		41.9	44.3	44.6	44.1	44.3	43.2	42.2	40.8	39	36.9	33.9	40
45			37.1	37.4	36.9	38.1	37.3	37	35.4	33.7	31.9	31.5	45
50			31.6	31.8	31.3	32.5	32.4	32.5	31.1	29.6	28	27.6	50
55				27.5	26.9	28.1	27.9	28.4	27.4	26.2	24.7	24.4	55
60				23.9	23.4	24.4	24.2	24.6	24	23.1	21.8	21.6	60
65				21.1	20.4	21.3	21.1	21.6	20.9	20.2	19.2	19.2	65
70					17.8	18.7	18.6	18.9	18.3	17.6	16.7	16.8	70
75					15.7	16.5	16.4	16.7	16.2	15.4	14.5	14.7	75
80						14.7	14.5	14.8	14.2	13.5	12.7	12.7	80
85						13.1	12.8	13.2	12.6	11.9	11	11.2	85
90							11.5	11.7	11.2	10.5	9.7	9.8	90
95							10.2	10.4	9.9	9.4	8.7	8.8	95
100							9.3	9.5	9	8.4	7.8	7.9	100
105								8.7	8.2	7.6	6.9	7	105
110								8	7.4	6.9	6.2	6.3	110
115									6.8	6.2	5.6	5.6	115
120									6.2	5.7	5	5	120
125									5.7	5.1	4.4	4.5	125
130										4.6	3.8	3.9	130
135										4.1	3.2	3.3	135
140											2.7	2.8	140
145											2.3	2.3	145
150											1.9	1.8	150

t_307_001_00212_00_000-v

Lifting capacities

Forces de levage

T



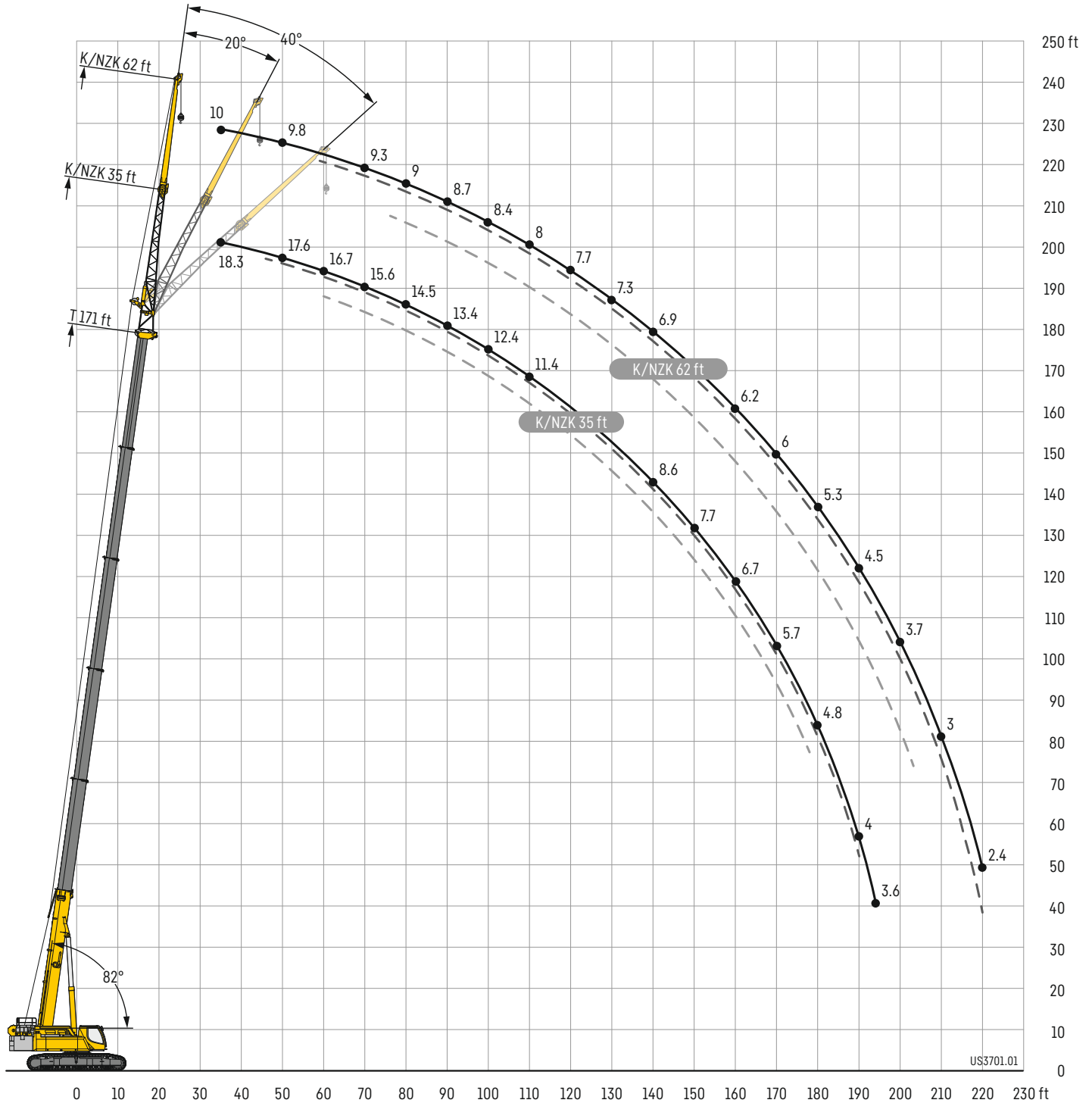
	37 ft	50 ft	62 ft	74 ft	86 ft	99 ft	111 ft	123 ft	136 ft	148 ft	160 ft	171 ft	
18	88,8	80,3	73,8										18
19	82,5	74,9	70,8										19
20	76,3	73,6	66,7										20
22	65,8	66,9	61,8	57,2									22
24	57,5	59,8	55,5	51,6	50,2								24
26	50,8	53,2	53,5	46,8	46,3	43,1							26
28	45,2	47,6	50	45,4	42,4	39,5							28
30		42,8	45,3	44,2	41,9	39,9	37,2						30
32		38,7	41,3	41	38,7	37,1	35,3						32
34		35,3	37,8	37,9	36	36,1	33,8	30,8					34
36		32,2	34,7	34,9	33,6	33,7	32,5	31	27,8				36
38		29,5	31,9	32,2	31,3	31,5	30,5	29,1	27,4				38
40		27,2	29,5	29,8	29,2	29,5	28,7	27,6	26,5	24,5			40
45			24,6	24,8	24,2	25,1	24,6	24,5	23,3	21,9	20,4		45
50			20,8	20,8	20,1	21,1	20,9	21,3	20,2	19	17,6	17,4	50
55				17,6	16,9	17,9	17,7	18,1	17,5	16,5	15,2	15,1	55
60				15	14,3	15,2	15,1	15,5	14,9	14,2	13,1	13,1	60
65				12,9	12,1	13	12,8	13,3	12,7	12	11,1	11,3	65
70					10,3	11,2	11	11,4	10,8	10,2	9,4	9,5	70
75					9	9,7	9,6	9,9	9,4	8,9	8,2	8,2	75
80						8,6	8,5	8,7	8,3	7,7	7,1	7,1	80
85						7,6	7,5	7,8	7,3	6,8	6,1	6,2	85
90							6,7	6,9	6,4	5,9	5,2	5,3	90
95							6	6,1	5,7	5,2	4,5	4,6	95
100							5,4	5,5	5	4,5	3,7	3,8	100
105								4,9	4,4	3,9	2,8	3,1	105
110								4,4	3,8	3,1	1,9	2,1	110
115									3,2	2,3			115
120									2,6				120
125									2,1				125

t_307_001_00312_00_000-v

Lifting heights

Hauteurs de levage

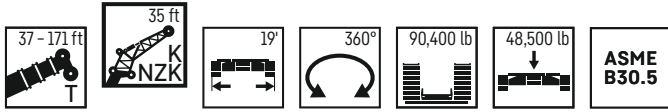
TK/TNZK



Lifting capacities

Forces de levage

TK/TNZK



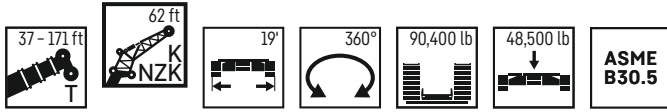
	37 ft			123 ft			136 ft			148 ft			160 ft			171 ft			
	K/NZK 35 ft																		
	0°	20°	40°	0°	20°	40°	0°	20°	40°	0°	20°	40°	0°	20°	40°	0°	20°	40°	
10	37																		10
11	37																		11
12	37																		12
13	37																		13
14	36.6																		14
15	36																		15
16	35.3																		16
17	34.7	31.1																	17
18	33.8	30.3																	18
19	33.1	29.7																	19
20	32.2	29																	20
22	30.5	27.7																	22
24	28.7	26.2	20.7	37															24
26	27	25	20	37															26
28	25.3	24.1	19.4	37			32.1												28
30	23.9	23.1	18.8	37			32			28.7									30
32	22.6	22.2	18.3	37	31.8		31.7			28.6									32
34	21.4	21.3	17.9	37	31.2		31.5			28.4			23.2			18.3			34
36	20.1	20.4	17.5	37	30.6		31.2			28.2			23			18.3			36
38	19.1	19.7	17.1	36.9	29.9		30.9	27		28			22.8			18.2			38
40	18.2	19.1	16.7	36.5	29.3	20.7	30.6	26.7		27.8	25.2		22.6			18.2			40
45	16.1	17.6	16	35.1	27.8	20	29.3	25.7	19.4	27.3	24.5		21.9	19.6		17.9	17		45
50	14.1	15.8	15.6	33.3	26.3	19.3	27.9	24.7	18.8	26.4	23.9	18.7	21.2	18.7		17.6	16.5		50
55	12.3	13.6	14.4	31.4	25	18.7	26.5	23.7	18.3	25.4	23.2	18.7	20.4	17.8	16.1	17.1	15.8		55
60	10.9	11.6	11.2	29.4	23.9	18.2	25.2	22.7	17.8	24.3	22.3	18.7	19.6	17.1	15.4	16.7	15.2	14.1	60
65				27.4	22.9	17.8	23.9	21.8	17.4	23.1	21.4	18.7	18.7	16.3	14.8	16.2	14.6	13.6	65
70				25.5	21.9	17.4	22.6	20.9	17	22	20.5	18.7	17.9	15.6	14.3	15.6	14.1	13.1	70
75				23.8	20.9	17	21.5	19.9	16.8	20.9	19.7	18.5	17.1	15	13.8	15.1	13.5	12.7	75
80				22.4	20.1	16.6	20.5	19.1	16.5	19.7	19	18.1	16.3	14.4	13.3	14.5	13.1	12.3	80
85				21	19.4	16.3	19.5	18.2	16.2	18.6	18.2	17.4	15.6	13.9	12.9	14	12.6	11.9	85
90				19.6	18.7	16.1	18.5	17.4	16	17.5	17.4	16.8	14.9	13.3	12.5	13.4	12.2	11.5	90
95				18.5	18.1	15.9	17.4	16.8	15.7	16.5	16.6	16.3	14.3	12.8	12.1	12.9	11.8	11.2	95
100				17.3	17.5	15.7	16.4	16.1	15.4	15.5	15.7	15.7	13.7	12.3	11.7	12.4	11.4	10.8	100
105				15.7	16.5	15.6	15.5	15.5	15.1	14.6	14.9	15.1	13.1	11.9	11.4	11.9	11	10.5	105
110				14.3	15	15.3	14.7	14.7	14.7	13.7	14	14.3	12.6	11.5	11	11.4	10.6	10.2	110
115				13	13.6	13.9	14	14	14.1	13	13.2	13.6	12	11.2	10.8	10.9	10.3	10	115
120				12.3	12.4	12.6	13.1	13.3	13.5	12.2	12.5	12.8	11.5	10.8	10.5	10.4	10.1	9.8	120
125				11.6	11.8	12	12.1	12.5	12.8	11.1	11.7	12.1	10.8	10.5	10.3	9.9	9.8	9.6	125
130				11	11.1	11.3	11.1	11.5	11.7	10.7	10.7	11.2	10.3	10.2	10.1	9.4	9.5	9.5	130
135				10.5	10.6	10.6	10.2	10.5	10.7	10.3	9.8	10.2	9.6	9.9	9.9	9	9.2	9.3	135
140				10	10.1		9.5	9.7	9.8	9.6	9.6	9.7	8.9	9.3	9.6	8.6	8.8	9	140
145				9.5	9.6		9	9.1	9.3	9	9.3	9.5	8.3	8.6	9	8.2	8.4	8.6	145
150							8.6	8.8	8.2	8.4	8.7	8.8	7.7	8	8.3	7.7	8	8.2	150
155							8.4	8.4		7.9	8.1	8.2	7.2	7.5	7.7	7.2	7.5	7.6	155
160							7.8			7.4	7.6	7.6	6.7	6.9	7.1	6.7	6.9	7.1	160
165										7	7.1		6.2	6.4	6.6	6.2	6.4	6.5	165
170										6.6	6.6		5.8	6	6.1	5.7	5.9	6	170
175													5.4	5.5		5.3	5.5	5.5	175
180													4.9	5		4.8	5.1	5.1	180
185													3.9			4.4	4.6		185
190																4	4.1		190
195																3.6			195

maxt_307_006_11204_00_000

Lifting capacities

Forces de levage

TK/TNZK



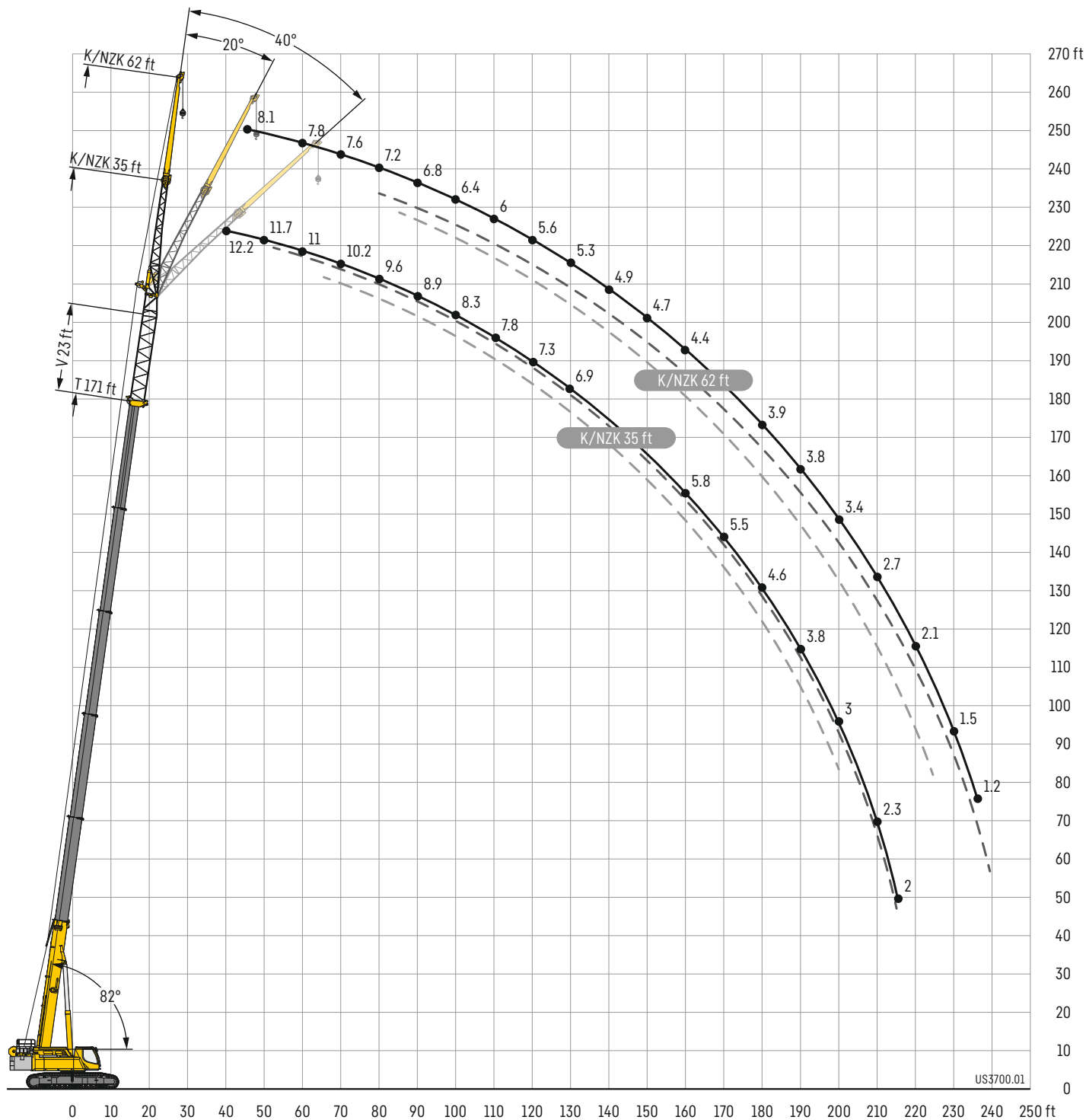
	37 ft			123 ft			136 ft			148 ft			160 ft			171 ft			
	K/NZK 62 ft																		
	0°	20°	40°	0°	20°	40°	0°	20°	40°	0°	20°	40°	0°	20°	40°	0°	20°	40°	
13	13.8																		13
14	13.8																		14
15	13.8																		15
16	13.8																		16
17	13.8																		17
18	13.8																		18
19	13.6																		19
20	13.5																		20
22	13																		22
24	12.6			15.4															24
26	12.2			15.3			13.7												26
28	11.9			15.1			13.6			12.8									28
30	11.5	9.9		15			13.5			12.7									30
32	11.1	9.6		14.8			13.4			12.6			11.1						32
34	10.7	9.4		14.5			13.2			12.5			11.1			10			34
36	10.4	9.2		14.3			13.1			12.5			11			10			36
38	10.1	9		14.1			13			12.4			11			9.9			38
40	9.8	8.8		13.9			12.8			12.2			10.9			9.9			40
45	9.3	8.4	7.5	13.3	9.9		12.4			11.9			10.7			9.9			45
50	8.8	8	7.3	12.8	9.6		12	9.4		11.7			10.6			9.8			50
55	8.3	7.7	7.1	12.3	9.3		11.6	9.1		11.3	9.1		10.4	8.8		9.7			55
60	7.7	7.4	7	11.8	9.1	7.6	11.2	8.9		10.9	8.8		10.1	8.6		9.6	8.4		60
65	7.2	7.2	6.8	11.2	8.8	7.4	10.8	8.6	7.4	10.6	8.6		9.9	8.4		9.4	8.2		65
70	6.7	7	6.8	10.7	8.6	7.3	10.5	8.5	7.2	10.3	8.4	7.2	9.7	8.2		9.3	8.1		70
75	6.3	6.9	6.8	10.3	8.4	7.2	10.1	8.3	7.2	10	8.3	7.1	9.5	8	7	9.1	7.9	7	75
80	5.9	6.8	6.8	9.9	8.2	7.1	9.7	8.1	7.1	9.7	8.1	7	9.3	7.9	7	9	7.8	6.9	80
85	5.5	6.8	6.8	9.6	8	7	9.4	7.9	7	9.4	7.9	7	9.1	7.8	6.9	8.8	7.7	6.9	85
90	5.2	6.8		9.3	7.8	7	9.2	7.8	6.9	9.2	7.8	6.9	8.9	7.7	6.9	8.7	7.6	6.8	90
95				9.1	7.7	6.9	8.9	7.6	6.9	8.9	7.7	6.9	8.7	7.6	6.8	8.5	7.5	6.8	95
100				8.8	7.6	6.9	8.7	7.5	6.8	8.7	7.5	6.8	8.5	7.5	6.8	8.4	7.4	6.7	100
105				8.5	7.4	6.8	8.4	7.4	6.8	8.5	7.4	6.8	8.4	7.4	6.7	8.2	7.3	6.7	105
110				8.2	7.3	6.8	8.2	7.3	6.8	8.3	7.3	6.8	8.2	7.3	6.7	8	7.2	6.7	110
115				7.9	7.2	6.8	8	7.2	6.7	8.1	7.2	6.7	8	7.2	6.7	7.8	7.1	6.6	115
120				7.6	7.1	6.8	7.7	7.1	6.7	7.9	7.1	6.7	7.8	7.1	6.7	7.7	7	6.6	120
125				7.3	7	6.8	7.5	7	6.7	7.7	7.1	6.7	7.6	7	6.7	7.5	6.9	6.5	125
130				7.1	7	6.8	7.2	7	6.7	7.5	7	6.7	7.4	6.9	6.7	7.3	6.7	6.5	130
135				6.8	6.9	6.8	7	6.9	6.7	7.2	6.9	6.7	7.2	6.8	6.6	7.1	6.6	6.4	135
140				6.6	6.9	6.8	6.8	6.9	6.7	7	6.9	6.7	7	6.7	6.6	6.9	6.5	6.3	140
145				6.4	6.8	6.8	6.5	6.8	6.7	6.8	6.8	6.7	6.8	6.6	6.5	6.7	6.3	6.2	145
150				6.1	6.8	6.8	6.4	6.8	6.7	6.6	6.8	6.7	6.7	6.5	6.4	6.6	6.2	6.1	150
155				6	6.8	6.8	6.2	6.8	6.7	6.4	6.8	6.7	6.5	6.4	6.4	6.4	6.1	6	155
160				5.8	6.8	6.8	6	6.8	6.7	6.2	6.7	6.7	6.3	6.3	6.3	6.2	5.9	6	160
165				5.6	6.8	6.7	5.9	6.8	6.7	6.1	6.7	6.7	6.2	6.2	6.2	6.1	5.8	5.9	165
170				5.5	6.8		5.7	6.8	6.7	5.9	6.6	6.7	6	6.1	6.2	6	5.8	5.8	170
175				5.4			5.6	6.7	6.7	5.7	6.1	6.3	5.8	6	6.2	5.7	5.7	5.8	175
180							5.5	6.2		5.6	5.9	6.2	5.5	5.8	6	5.3	5.6	5.7	180
185							5.4	5.9		5.5	5.8	6	5.1	5.4	5.6	4.9	5.3	5.5	185
190										5.4	5.6		4.7	5	5.1	4.5	4.9	5.1	190
195										5.1	5.2		4.3	4.6	4.6	4.1	4.5	4.7	195
200										3.8			3.9	4.2		3.7	4.1	4.2	200
205													3.6	3.8		3.4	3.7	3.7	205
210													3.3			3	3.3		210
215																2.7	2.9		215
220																2.4	2.5		220

maxt_307_006_11304_00_000

Lifting heights

Hauteurs de levage

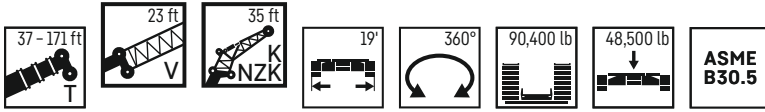
TVK/TVNZK



Lifting capacities

Forces de levage

TVK/TVNZK



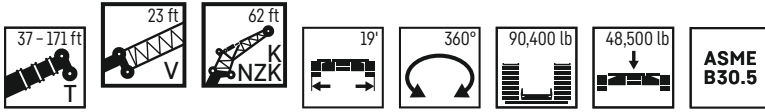
	37 ft + V 23 ft			123 ft + V 23 ft			136 ft + V 23 ft			148 ft + V 23 ft			160 ft + V 23 ft			171 ft + V 23 ft			
	K/NZK 35 ft																		
	0°	20°	40°	0°	20°	40°	0°	20°	40°	0°	20°	40°	0°	20°	40°	0°	20°	40°	
11	27.3																		11
12	26.9																		12
13	26.6																		13
14	26.2																		14
15	25.8																		15
16	25.4																		16
17	24.9																		17
18	24.4																		18
19	23.9																		19
20	23.4	21.7																	20
22	22.3	20.7																	22
24	21.3	19.7																	24
26	20.5	18.8																	26
28	19.6	18	17.2	27.3															28
30	18.8	17.2	16.5	26.9															30
32	18	16.5	15.9	26.5			21.2												32
34	17.2	15.9	15.3	26.1			21.1			17.8									34
36	16.4	15.3	14.7	25.7			20.9			17.7									36
38	15.7	14.7	14.2	25.1	21.1		20.6			17.5			14.3						38
40	15.1	14.2	13.7	24.7	20.5		20.4	17.8		17.4			14.2				12.2		40
45	13.8	12.9	12.6	23.3	19.3	16.9	19.7	17		17.1	16.2		14				12		45
50	12.5	11.8	11.6	22	18.2	16.1	19	16.2	14.5	16.8	15.5		13.6	12.8			11.7	11.2	50
55	11.5	10.9	10.8	20.7	17.2	15.3	18.2	15.5	13.9	16.4	14.9	13.6	13.2	12.3			11.4	10.8	55
60	10.6	10.1	10.2	19.6	16.3	14.6	17.3	14.8	13.4	15.9	14.4	13.1	12.6	11.7	11		11	10.4	60
65	9.9	9.5	9.6	18.6	15.6	14	16.6	14.2	12.9	15.4	13.8	12.6	12.1	11.1	10.5		10.6	10	65
70	9.3	9.1	9.2	17.5	14.8	13.4	15.9	13.6	12.4	14.9	13.3	12.2	11.6	10.6	10		10.2	9.6	70
75	8.8	8.7	8.9	16.5	14.1	12.9	15.1	13.1	11.9	14.4	12.8	11.8	11.1	10.1	9.7		9.9	9.3	75
80	8.1	8.4	8.6	15.6	13.5	12.4	14.5	12.6	11.5	13.9	12.4	11.4	10.7	9.8	9.3		9.6	9	80
85	7.5	7.7		14.7	12.8	11.9	13.8	12.1	11.2	13.3	12	11.1	10.2	9.4	9		9.2	8.7	85
90				14.1	12.2	11.5	13.1	11.6	10.8	12.8	11.5	10.8	9.8	9.1	8.8		8.9	8.4	90
95				13.4	11.7	11.1	12.5	11.2	10.5	12.3	11.1	10.5	9.3	8.8	8.5		8.6	8.2	95
100				12.8	11.3	10.7	12	10.8	10.2	11.8	10.7	10.2	9	8.5	8.2		8.3	7.9	100
105				12.1	10.9	10.4	11.6	10.4	9.9	11.4	10.4	9.9	8.7	8.2	8		8	7.7	105
110				11.6	10.5	10.1	11	10.2	9.7	11	10.1	9.7	8.4	7.9	7.7		7.8	7.4	110
115				11.1	10.1	9.8	10.6	9.9	9.5	10.6	9.8	9.5	8.1	7.7	7.5		7.6	7.2	115
120				10.7	9.8	9.6	10.2	9.6	9.3	10.2	9.6	9.3	7.9	7.5	7.3		7.3	7	120
125				10.3	9.5	9.4	9.8	9.4	9.1	9.8	9.4	9.2	7.6	7.3	7.1		7.1	6.8	125
130				9.8	9.3	9.2	9.5	9.1	9	9.5	9.2	9	7.4	7	6.9		6.9	6.6	130
135				9.1	9.1	9.1	9.2	8.9	8.8	9.1	8.9	8.8	7.1	6.8	6.8		6.7	6.4	135
140				8.6	8.8	8.9	9	8.7	8.6	8.7	8.7	8.7	6.9	6.6	6.6		6.5	6.3	140
145				8.3	8.2	8.4	8.7	8.5	8.5	8.1	8.4	8.5	6.7	6.5	6.4		6.3	6.1	145
150				8	8	8.2	8.1	8.3	8.3	7.5	7.9	8.1	6.5	6.3	6.3		6.1	5.9	150
155				7.7	7.7	7.9	7.6	7.9	8	7	7.3	7.5	6.4	6.2	6.2		6	5.8	155
160				7.3	7.4	7.5	7.1	7.4	7.5	6.5	6.8	6.9	6.2	6	6		5.8	5.7	160
165				7	7.1		6.6	6.9	6.9	6	6.2	6.4	6	5.9	5.9		5.7	5.6	165
170				6.8			6.2	6.4	6.4	5.7	5.8	5.8	5.7	5.7	5.8		5.5	5.5	170
175							5.8	6		5.6	5.5	5.7	5.3	5.5	5.6		5.1	5.3	175
180							5.4	5.5		5.5	5.5	5.6	4.8	5.1	5.1		4.6	4.9	180
185										5.1	5.3		4.4	4.6	4.7		4.2	4.5	185
190										4.7	4.8		3.9	4.1	4.2		3.8	4	190
195										4.2			3.5	3.7			3.4	3.6	195
200													3.2	3.3			3	3.2	200
205													2.8	2.9			2.7	2.8	205
210																	2.3	2.4	210
215																	2	2.1	215

maxt_307_006_11214_00_000

Lifting capacities

Forces de levage

TVK/TVNZK



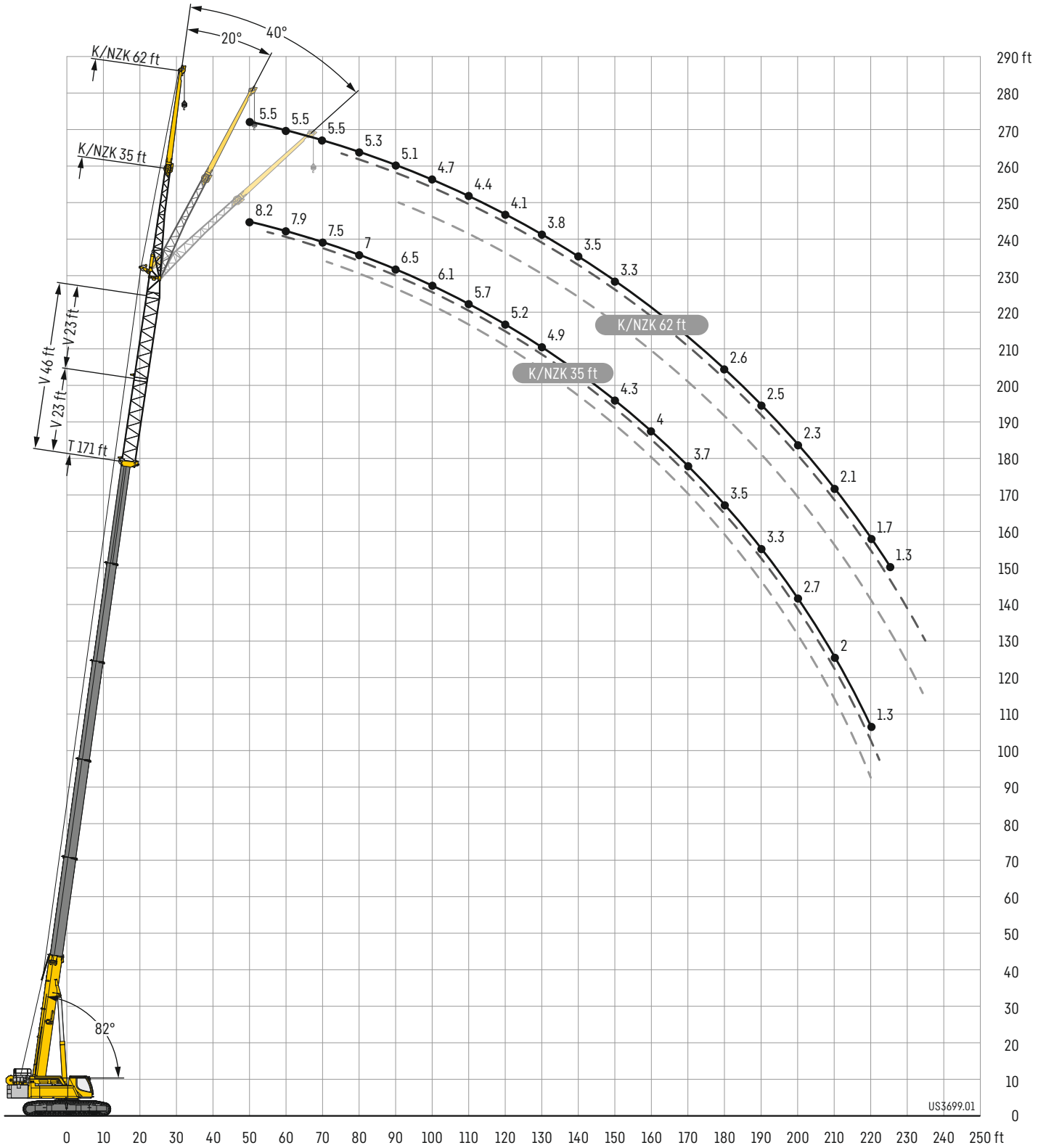
	37 ft + V 23 ft			123 ft + V 23 ft			136 ft + V 23 ft			148 ft + V 23 ft			160 ft + V 23 ft			171 ft + V 23 ft			
	K/NZK 62 ft																		
	0°	20°	40°	0°	20°	40°	0°	20°	40°	0°	20°	40°	0°	20°	40°	0°	20°	40°	
15	11.5																		15
16	11.5																		16
17	11.5																		17
18	11.5																		18
19	11.5																		19
20	11.5																		20
22	11.5																		22
24	11.5																		24
26	11.5																		26
28	11.5			13.3															28
30	11.5			13.3															30
32	11.4	9.7		13.2			11.2												32
34	11.1	9.6		13.1			11.2			10.4									34
36	10.9	9.4		13			11.1			10.3									36
38	10.7	9.2		12.9			11.1			10.3			9						38
40	10.5	9		12.8			11			10.3			9						40
45	9.9	8.6		12.4			10.9			10.2			8.9			8.1			45
50	9.4	8.3	7.4	12.1	9.6		10.7			10.1			8.8			8			50
55	8.8	8.1	7.2	11.7	9.3		10.5	8.9		9.9			8.8			7.9			55
60	8.3	7.8	7.1	11.4	9.1		10.2	8.7		9.8	8.6		8.6			7.8			60
65	7.8	7.5	6.9	11	8.8	7.4	10	8.5		9.7	8.4		8.5	8		7.7			65
70	7.4	7.1	6.8	10.7	8.6	7.3	9.8	8.3	7.2	9.5	8.3		8.3	7.8		7.6	7.2		70
75	6.9	6.8	6.6	10.4	8.4	7.2	9.6	8.2	7.1	9.2	8.1	7.1	8.2	7.6		7.4	7		75
80	6.6	6.4	6.4	10	8.3	7.2	9.3	8	7	9	8	7	7.9	7.4	6.8	7.2	6.8		80
85	6.3	6.1	6.1	9.7	8.1	7.1	9	7.9	7	8.8	7.8	6.9	7.7	7.1	6.6	7	6.6	6.2	85
90	6	5.9	5.9	9.4	8	7	8.8	7.7	6.9	8.6	7.7	6.9	7.5	6.9	6.4	6.8	6.3	6.1	90
95	5.7	5.6	5.7	9.1	7.8	6.9	8.5	7.5	6.8	8.3	7.5	6.8	7.2	6.6	6.3	6.6	6.2	5.9	95
100	5.5	5.4	5.6	8.8	7.6	6.8	8.3	7.3	6.8	8.1	7.3	6.8	6.9	6.4	6.1	6.4	6	5.7	100
105	5.3	5.3	5.5	8.5	7.5	6.8	8	7.2	6.7	7.9	7.1	6.6	6.7	6.2	5.9	6.2	5.8	5.6	105
110	5.2	5.2		8.2	7.3	6.7	7.7	7	6.5	7.7	7	6.5	6.5	6	5.8	6	5.6	5.4	110
115				7.9	7.1	6.6	7.5	6.8	6.4	7.5	6.8	6.4	6.2	5.8	5.6	5.8	5.5	5.3	115
120				7.6	6.9	6.4	7.3	6.6	6.3	7.3	6.6	6.3	6	5.7	5.5	5.6	5.3	5.1	120
125				7.3	6.7	6.3	7.1	6.5	6.1	7.1	6.4	6.1	5.8	5.5	5.3	5.4	5.1	5	125
130				7.1	6.5	6.2	6.9	6.3	6	6.9	6.3	6	5.7	5.3	5.2	5.3	5	4.9	130
135				6.9	6.3	6.1	6.7	6.2	5.9	6.7	6.2	5.9	5.5	5.2	5	5.1	4.8	4.7	135
140				6.7	6.2	6	6.5	6	5.8	6.5	6.1	5.8	5.3	5	4.9	4.9	4.7	4.6	140
145				6.5	6	5.9	6.3	5.9	5.7	6.4	5.9	5.7	5.1	4.9	4.8	4.8	4.6	4.5	145
150				6.3	5.9	5.8	6.2	5.8	5.6	6.2	5.8	5.7	5	4.7	4.7	4.7	4.5	4.4	150
155				6.1	5.7	5.7	6	5.7	5.6	6.1	5.7	5.6	4.8	4.6	4.6	4.5	4.3	4.3	155
160				6	5.6	5.6	5.9	5.6	5.5	5.9	5.6	5.5	4.7	4.5	4.5	4.4	4.2	4.2	160
165				5.8	5.5	5.6	5.7	5.5	5.5	5.8	5.5	5.4	4.6	4.4	4.4	4.3	4.1	4.1	165
170				5.7	5.4	5.5	5.6	5.4	5.4	5.7	5.4	5.4	4.4	4.3	4.3	4.2	4	4	170
175				5.5	5.3	5.5	5.5	5.3	5.4	5.5	5.3	5.3	4.3	4.2	4.2	4	3.9	3.9	175
180				5.3	5.3	5.5	5.4	5.2	5.4	5.1	5.2	5.3	4.2	4.1	4.1	3.9	3.8	3.8	180
185				5.2	5.1	5.4	5.3	5.2	5.4	4.7	5.1	5.3	4.1	4	4	3.8	3.7	3.8	185
190				5.1	5.1		5.1	5.1	5.3	4.3	4.8	4.9	4	3.9	4	3.8	3.6	3.7	190
195				5	5.1		4.7	5	5	3.9	4.3	4.5	3.9	3.8	3.9	3.6	3.6	3.6	195
200							4.3	4.6		3.7	3.9	4	3.6	3.7	3.9	3.4	3.5	3.6	200
205							4	4.1		3.6	3.6	3.8	3.3	3.6	3.8	3.1	3.4	3.5	205
210							3.5			3.6	3.6		2.9	3.3	3.4	2.7	3.2	3.3	210
215										3.4	3.5		2.6	2.9	2.9	2.4	2.8	2.9	215
220										3.1	3.2		2.3	2.5		2.1	2.4	2.5	220
225													2	2.2		1.8	2.1	2.1	225
230													1.7	1.9		1.5	1.8		230
235																1.2	1.4		235
240																	1.1		240

maxt_307_006_11314_00_000

Lifting heights

Hauteurs de levage

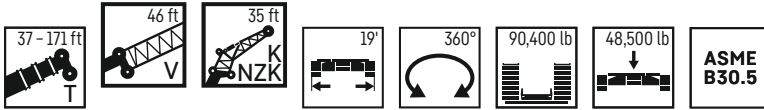
TVK/TVNZK



Lifting capacities

Forces de levage

TVK/TVNZK



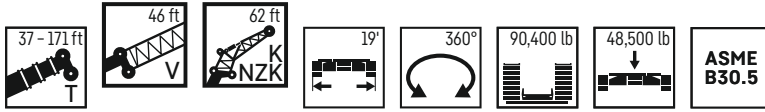
	37 ft + V 46 ft			123 ft + V 46 ft			136 ft + V 46 ft			148 ft + V 46 ft			160 ft + V 46 ft			171 ft + V 46 ft			
	K/NZK 35 ft																		
	0°	20°	40°	0°	20°	40°	0°	20°	40°	0°	20°	40°	0°	20°	40°	0°	20°	40°	
14	17.8																		14
15	17.7																		15
16	17.5																		16
17	17.3																		17
18	17																		18
19	16.8																		19
20	16.5																		20
22	16																		22
24	15.5	15.3																	24
26	14.9	14.6																	26
28	14.4	14																	28
30	13.8	13.4																	30
32	13.2	12.8		17.6															32
34	12.7	12.3	12.1	17.3															34
36	12.3	11.8	11.6	17.1			13.2												36
38	11.8	11.3	11.1	16.8			13.1												38
40	11.3	10.8	10.7	16.5	15.2		13			11.8									40
45	10.2	9.9	9.8	15.8	14.3		12.6	11.9		11.5			9.4						45
50	9.3	9.2	9	15	13.4	12.2	12.1	11.4		11.2	10.6		9.2			8.2			50
55	8.6	8.5	8.5	14.1	12.6	11.5	11.7	10.8	10.1	10.8	10.2		9	8.8		8.1	8		55
60	8	7.9	7.9	13.3	11.8	10.8	11.2	10.3	9.7	10.4	9.9	9.4	8.9	8.6		7.9	7.7		60
65	7.5	7.4	7.4	12.6	11.1	10.2	10.7	9.8	9.3	10	9.5	9.1	8.6	8.3	8	7.7	7.5		65
70	7	6.9	6.9	11.9	10.5	9.8	10.2	9.4	9	9.7	9.2	8.8	8.4	8	7.8	7.5	7.3	7.1	70
75	6.6	6.5	6.5	11.2	10	9.4	9.8	9.1	8.6	9.4	8.9	8.5	8	7.7	7.5	7.2	7	6.9	75
80	6.2	6.1	6.2	10.6	9.6	9	9.5	8.8	8.3	9.1	8.6	8.2	7.7	7.4	7.2	7	6.7	6.6	80
85	5.9	5.8	5.9	10	9.2	8.7	9.1	8.4	8.1	8.8	8.3	7.9	7.4	7.1	6.9	6.7	6.5	6.4	85
90	5.6	5.5	5.6	9.4	8.8	8.4	8.7	8.1	7.8	8.5	8	7.7	7.2	6.8	6.7	6.5	6.3	6.2	90
95	5.3	5.3	5.3	9	8.4	8.1	8.3	7.8	7.6	8.3	7.8	7.5	6.9	6.6	6.4	6.3	6	5.9	95
100	5	5	5.1	8.6	8	7.8	8	7.6	7.3	8	7.5	7.2	6.6	6.4	6.2	6.1	5.8	5.7	100
105	4.8	4.9	5	8.3	7.8	7.5	7.7	7.3	7.1	7.7	7.3	7	6.4	6.1	6	5.9	5.6	5.6	105
110				8	7.5	7.2	7.5	7.1	6.9	7.5	7	6.9	6.1	5.9	5.8	5.7	5.5	5.4	110
115				7.6	7.2	7	7.2	6.8	6.7	7.2	6.8	6.6	5.9	5.7	5.6	5.4	5.3	5.2	115
120				7.3	7	6.8	7	6.6	6.5	7	6.6	6.5	5.6	5.5	5.4	5.2	5.1	5	120
125				7.1	6.7	6.6	6.8	6.4	6.3	6.8	6.4	6.3	5.4	5.3	5.2	5.1	4.9	4.9	125
130				6.8	6.5	6.4	6.5	6.3	6.1	6.6	6.3	6.1	5.3	5.1	5	4.9	4.7	4.7	130
135				6.6	6.3	6.2	6.3	6.1	6	6.4	6.1	6	5.1	4.9	4.9	4.7	4.6	4.5	135
140				6.4	6.1	6	6.1	5.9	5.8	6.2	5.9	5.9	4.9	4.8	4.7	4.6	4.4	4.4	140
145				6.2	5.9	5.9	5.9	5.8	5.7	6	5.8	5.7	4.7	4.6	4.6	4.4	4.3	4.3	145
150				6	5.7	5.7	5.8	5.6	5.6	5.9	5.6	5.6	4.6	4.5	4.5	4.3	4.2	4.1	150
155				5.8	5.6	5.5	5.6	5.5	5.4	5.7	5.5	5.5	4.4	4.3	4.3	4.1	4	4	155
160				5.6	5.4	5.4	5.5	5.3	5.3	5.6	5.4	5.3	4.3	4.2	4.2	4	3.9	3.9	160
165				5.4	5.3	5.3	5.3	5.2	5.2	5.4	5.3	5.3	4.1	4.1	4.1	3.9	3.8	3.8	165
170				5.2	5.2	5.2	5.2	5.1	5.1	5.2	5.1	5.2	4	3.9	3.9	3.7	3.7	3.7	170
175				5	4.9	5	5.1	5	5	4.9	5	5.1	3.9	3.8	3.8	3.6	3.6	3.6	175
180				4.9	4.8	5	5	4.9	5	4.4	4.7	4.9	3.8	3.7	3.7	3.5	3.5	3.5	180
185				4.8	4.7		4.8	4.8	4.9	4	4.3	4.4	3.7	3.6	3.6	3.4	3.4	3.4	185
190				4.7	4.7		4.3	4.5	4.5	3.5	3.8	3.9	3.6	3.5	3.5	3.3	3.3	3.3	190
195				2.7			3.9	4.1		3.4	3.4	3.4	3.3	3.4	3.5	3.1	3.2	3.2	195
200							3.6	3.7		3.3	3.3	3.3	2.9	3.2	3.2	2.7	3	3	200
205							3.2			3.2	3.2	3.2	2.5	2.8	2.8	2.3	2.6	2.7	205
210										3	3.1		2.2	2.4	2.4	2	2.2	2.3	210
215										2.7	2.7		1.9	2.1		1.7	1.9	1.9	215
220													1.6	1.7		1.3	1.5	1.6	220
225													1.3	1.4			1.1		225
230													1						230

maxt_307_006_11224_00_000

Lifting capacities

Forces de levage

TVK/TVNZK



	37 ft + V 46 ft			123 ft + V 46 ft			136 ft + V 46 ft			148 ft + V 46 ft			160 ft + V 46 ft			171 ft + V 46 ft			
	K/NZK 62 ft																		
	0°	20°	40°	0°	20°	40°	0°	20°	40°	0°	20°	40°	0°	20°	40°	0°	20°	40°*	
17	9																		17
18	9																		18
19	9																		19
20	9																		20
22	9																		22
24	9																		24
26	9																		26
28	9																		28
30	9																		30
32	9																		32
34	9			10.9															34
36	9			10.8															36
38	8.9	9		10.7			8.7												38
40	8.7	8.7		10.6			8.7			8									40
45	8.2	8.1		10.3			8.5			7.9			6.7						45
50	7.6	7.6		9.9			8.3			7.8			6.6			5.5			50
55	7.1	7	7	9.5			8.1			7.6			6.5			5.5			55
60	6.6	6.6	6.6	9.2	8.5		7.9			7.4			6.4			5.5			60
65	6.2	6.2	6.2	8.9	8.1		7.6	7.2		7.2	6.9		6.2			5.5			65
70	5.8	5.8	5.8	8.5	7.8		7.4	7		7	6.7		6.1	5.9		5.5			70
75	5.5	5.4	5.5	8.2	7.4	6.9	7.2	6.8		6.8	6.5		6	5.8		5.4	5.3		75
80	5.1	5.1	5.2	7.9	7.1	6.6	6.9	6.5	6.1	6.6	6.3		5.8	5.6		5.3	5.2		80
85	4.8	4.8	4.9	7.6	6.8	6.3	6.7	6.3	5.9	6.4	6.1	5.8	5.7	5.5		5.2	5		85
90	4.5	4.6	4.6	7.3	6.6	6.1	6.5	6	5.7	6.2	5.9	5.6	5.6	5.3	5.1	5.1	4.9	4.8	90
95	4.3	4.3	4.4	6.9	6.3	5.9	6.3	5.8	5.5	6.1	5.7	5.4	5.4	5.1	4.9	4.9	4.7	4.6	95
100	4.1	4.1	4.1	6.6	6.1	5.7	6.1	5.6	5.4	5.9	5.6	5.3	5.2	5	4.8	4.7	4.6	4.5	100
105	3.9	3.9	3.9	6.4	5.9	5.5	5.9	5.5	5.2	5.7	5.4	5.1	5	4.8	4.6	4.6	4.4	4.3	105
110	3.7	3.7	3.8	6.1	5.6	5.3	5.6	5.3	5	5.5	5.2	5	4.9	4.6	4.4	4.4	4.3	4.2	110
115	3.5	3.5	3.6	5.8	5.4	5.2	5.5	5.1	4.9	5.4	5.1	4.8	4.7	4.5	4.3	4.3	4.1	4	115
120	3.3	3.4	3.4	5.6	5.2	5	5.3	4.9	4.7	5.2	4.9	4.7	4.5	4.3	4.2	4.1	3.9	3.9	120
125	3.2	3.2	3.3	5.4	5	4.8	5.1	4.8	4.6	5	4.8	4.6	4.3	4.2	4.1	4	3.8	3.8	125
130	3.1	3.1		5.2	4.9	4.7	5	4.6	4.5	4.9	4.6	4.5	4.1	4	3.9	3.8	3.7	3.6	130
135	3	3.1		5	4.7	4.5	4.8	4.5	4.3	4.8	4.5	4.3	4	3.9	3.8	3.7	3.6	3.5	135
140				4.8	4.5	4.4	4.6	4.3	4.2	4.6	4.4	4.2	3.8	3.7	3.7	3.5	3.4	3.4	140
145				4.6	4.4	4.3	4.5	4.2	4.1	4.5	4.2	4.1	3.7	3.6	3.5	3.4	3.3	3.3	145
150				4.5	4.2	4.1	4.3	4.1	4	4.3	4.1	4	3.6	3.5	3.4	3.3	3.2	3.2	150
155				4.3	4.1	4	4.2	4	3.9	4.2	4	3.9	3.4	3.3	3.3	3.2	3.1	3.1	155
160				4.2	4	3.9	4.1	3.9	3.8	4.1	3.9	3.8	3.3	3.2	3.2	3.1	3	3	160
165				4	3.9	3.8	3.9	3.8	3.7	4	3.8	3.8	3.2	3.1	3.1	3	2.9	2.9	165
170				3.9	3.8	3.7	3.8	3.7	3.7	3.9	3.7	3.7	3.1	3	3	2.9	2.8	2.8	170
175				3.8	3.6	3.6	3.7	3.6	3.6	3.8	3.6	3.6	2.9	2.9	2.9	2.7	2.7	2.7	175
180				3.7	3.5	3.5	3.6	3.5	3.5	3.7	3.5	3.5	2.8	2.8	2.8	2.6	2.6	2.6	180
185				3.6	3.5	3.5	3.5	3.4	3.4	3.6	3.4	3.4	2.7	2.7	2.7	2.5	2.5	2.5	185
190				3.5	3.4	3.4	3.4	3.3	3.4	3.5	3.3	3.4	2.6	2.6	2.7	2.5	2.4	2.4	190
195				3.3	3.3	3.4	3.3	3.3	3.3	3.4	3.3	3.3	2.6	2.5	2.6	2.4	2.3	2.4	195
200				3.2	3.2	3.3	3.3	3.2	3.3	3.2	3.2	3.3	2.5	2.4	2.5	2.3	2.3	2.3	200
205				3.1	3.1	3.2	3.2	3.1	3.2	2.8	3.1	3.2	2.4	2.4	2.4	2.2	2.2	2.2	205
210				3	3		3.1	3.1	3.2	2.5	3	3.1	2.3	2.3	2.3	2.1	2.1	2.1	210
215				3	3		3	3	3.2	2.2	2.6	2.7	2.2	2.2	2.3	2	2.1	2.1	215
220				3			2.7	2.9		2.1	2.2	2.3	1.9	2.2	2.2	1.7	2	2	220
225							2.4	2.5		2.1	2	2.1	1.6	2	2.1	1.3	1.8	2	225
230							2.1	2.2		2	2		1.3	1.7	1.8		1.5	1.7	230
235										1.8	2			1.4	1.4		1.1	1.3	235
240										1.6	1.7								240

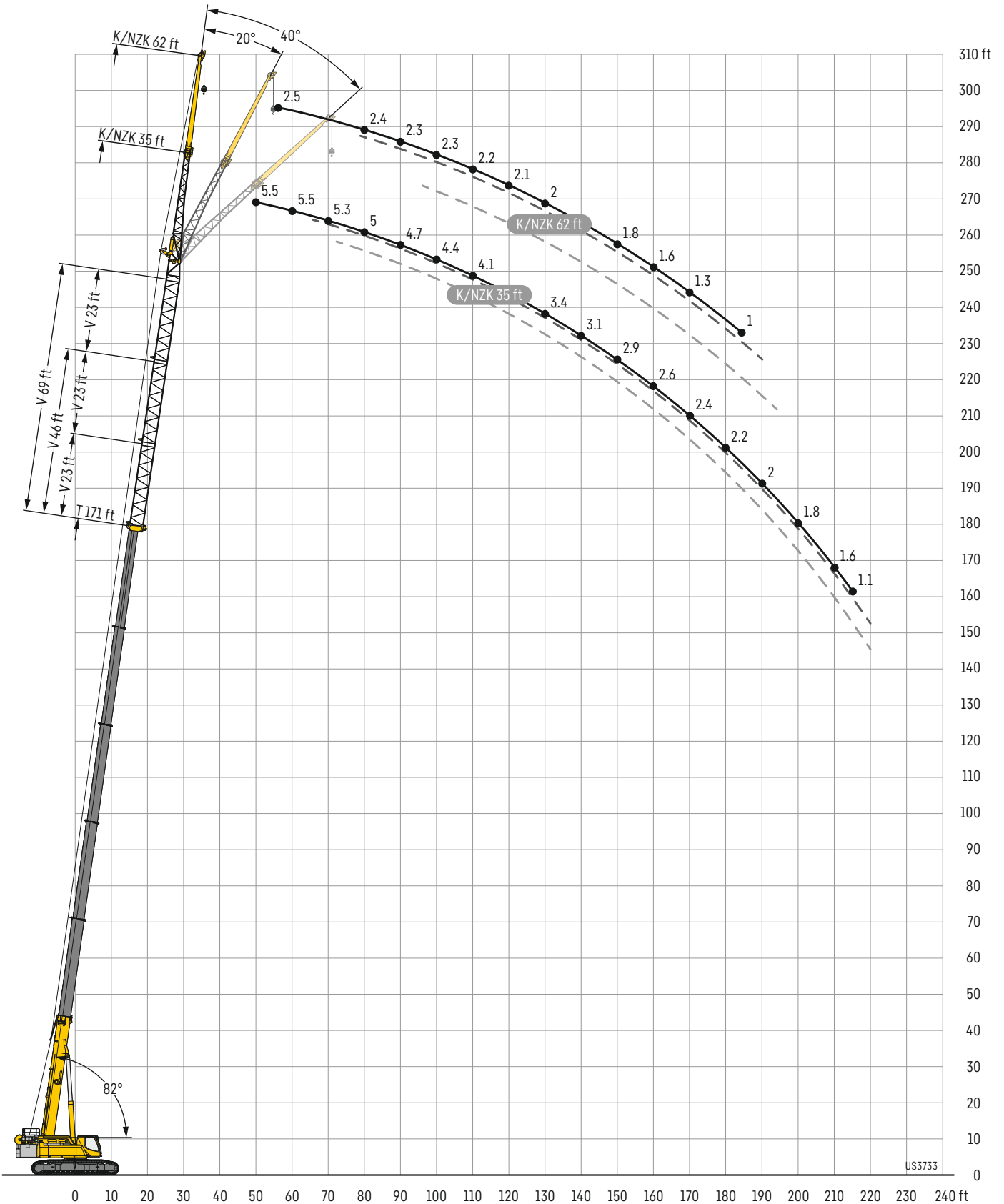
*only possible in TVNZK mode - uniquement possible en cas de fonctionnement de la pointe pliante hydraulique de la flèche télescopique (TVNZK)

maxt_307_006_11324_00_000

Lifting heights

Hauteurs de levage

TVK/TVNZK

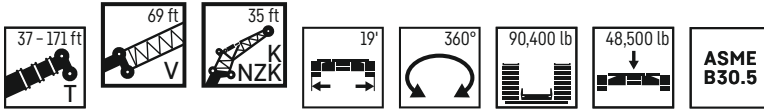


US3733

Lifting capacities

Forces de levage

TVK/TVNZK



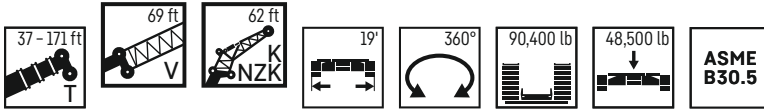
	37 ft + V 69 ft			123 ft + V 69 ft			136 ft + V 69 ft			148 ft + V 69 ft			160 ft + V 69 ft			171 ft + V 69 ft			
	K/NZK 35 ft																		
	0°	20°	40°	0°	20°	40°	0°	20°	40°	0°	20°	40°	0°	20°	40°	0°	20°	40°	
16	11.8																		16
17	11.8																		17
18	11.8																		18
19	11.8																		19
20	11.7																		20
22	11.7																		22
24	11.3																		24
26	10.9																		26
28	10.6	10.8																	28
30	10.2	10.3																	30
32	9.9	10																	32
34	9.5	9.7		12.2															34
36	9.3	9.4	9.4	12															36
38	9	9	9.1	11.8			9.2												38
40	8.7	8.7	8.8	11.7			9.1			8.3									40
45	8.1	8	8.1	11.1	10.5		8.8			8.2			6.7						45
50	7.5	7.4	7.5	10.5	10	9	8.5	8.3		7.9			6.6			5.5			50
55	6.8	6.9	6.9	10	9.5	9	8.2	8		7.7	7.5		6.4			5.5			55
60	6.3	6.4	6.4	9.5	9	8.6	7.9	7.7	7.5	7.4	7.2		6.3	6.2		5.5			60
65	5.8	5.9	6	9	8.5	8.2	7.6	7.4	7.2	7.2	7	6.9	6.1	6		5.5	5.4		65
70	5.4	5.5	5.5	8.6	8.1	7.8	7.3	7.1	7	6.9	6.8	6.7	5.9	5.8	5.8	5.3	5.3		70
75	5.1	5.1	5.1	8.2	7.7	7.4	7.1	6.8	6.7	6.7	6.5	6.4	5.8	5.7	5.6	5.2	5.1	5.1	75
80	4.7	4.7	4.8	7.8	7.3	7	6.8	6.6	6.4	6.5	6.3	6.2	5.6	5.5	5.5	5	5	5	80
85	4.4	4.4	4.5	7.4	7	6.7	6.5	6.3	6.1	6.3	6.1	6	5.4	5.3	5.3	4.9	4.9	4.8	85
90	4.1	4.1	4.2	7	6.7	6.5	6.3	6.1	5.9	6.1	5.9	5.8	5.3	5.2	5.1	4.7	4.7	4.7	90
95	3.8	3.9	3.9	6.7	6.4	6.2	6.1	5.8	5.7	5.8	5.7	5.6	5.1	5	4.9	4.6	4.5	4.5	95
100	3.6	3.6	3.7	6.3	6.1	5.9	5.8	5.6	5.5	5.7	5.5	5.4	4.9	4.8	4.7	4.4	4.3	4.3	100
105	3.4	3.4	3.5	6.1	5.8	5.7	5.6	5.4	5.3	5.5	5.3	5.2	4.7	4.6	4.5	4.2	4.1	4.1	105
110	3.2	3.2	3.3	5.8	5.5	5.4	5.3	5.2	5.1	5.2	5.1	5	4.5	4.4	4.3	4.1	4	4	110
115	3	3.1	3.1	5.5	5.3	5.2	5.1	5	4.9	5	4.9	4.9	4.3	4.2	4.2	3.9	3.8	3.8	115
120	2.9	2.9	3	5.3	5.1	5	4.9	4.8	4.7	4.9	4.7	4.7	4.1	4	4	3.8	3.7	3.7	120
125	2.7	2.8	2.8	5.1	4.9	4.8	4.7	4.6	4.5	4.7	4.6	4.5	3.9	3.9	3.9	3.6	3.5	3.5	125
130	2.6	2.6		4.8	4.7	4.6	4.6	4.4	4.4	4.5	4.4	4.4	3.7	3.7	3.7	3.4	3.4	3.4	130
135				4.6	4.5	4.4	4.4	4.3	4.2	4.4	4.3	4.2	3.6	3.5	3.6	3.3	3.2	3.3	135
140				4.4	4.3	4.3	4.2	4.1	4.1	4.2	4.1	4.1	3.4	3.4	3.4	3.1	3.1	3.1	140
145				4.3	4.1	4.1	4.1	4	4	4.1	4	3.9	3.3	3.3	3.3	3	3	3	145
150				4.1	4	3.9	3.9	3.8	3.8	3.9	3.9	3.8	3.2	3.1	3.1	2.9	2.8	2.8	150
155				3.9	3.8	3.8	3.8	3.7	3.7	3.8	3.7	3.7	3	3	3	2.7	2.7	2.7	155
160				3.8	3.7	3.7	3.7	3.6	3.6	3.7	3.6	3.6	2.9	2.9	2.9	2.6	2.6	2.6	160
165				3.6	3.5	3.5	3.5	3.4	3.5	3.6	3.5	3.5	2.8	2.7	2.8	2.5	2.5	2.5	165
170				3.5	3.4	3.4	3.4	3.3	3.3	3.4	3.4	3.4	2.6	2.6	2.6	2.4	2.4	2.4	170
175				3.4	3.3	3.3	3.3	3.2	3.2	3.3	3.3	3.3	2.5	2.5	2.5	2.3	2.3	2.3	175
180				3.2	3.2	3.2	3.2	3.1	3.2	3.2	3.2	3.2	2.4	2.4	2.4	2.2	2.2	2.2	180
185				3.1	3.1	3.1	3.1	3	3.1	3.2	3.1	3.1	2.3	2.3	2.3	2.1	2.1	2.1	185
190				3	3	3	3	2.9	3	3.1	3	3	2.2	2.2	2.2	2	2	2	190
195				2.8	2.9	2.9	2.9	2.9	2.9	2.8	2.9	2.9	2.1	2.1	2.1	1.9	1.9	2	195
200				2.7	2.7	2.8	2.8	2.8	2.8	2.5	2.8	2.8	2.1	2.1	2.1	1.8	1.9	1.9	200
205				2.7	2.6		2.8	2.7	2.8	2.1	2.4	2.5	2	2	2	1.8	1.8	1.8	205
210				2.6	2.6		2.6	2.7	2.7	1.8	2	2.1	1.8	1.9	1.9	1.6	1.7	1.7	210
215				2.6			2.2	2.4		1.7	1.8	1.8	1.5	1.8	1.8	1.1	1.6	1.7	215
220							1.9	2.1		1.7	1.7	1.7	1.1	1.4	1.5		1.1	1.3	220
225							1.7	1.7		1.6	1.6				1				225
230										1.4	1.5								230
235										1.1	1.2								235

maxt_307_006_11234_00_000

Lifting capacities

Forces de levage

TVK/TVNZK

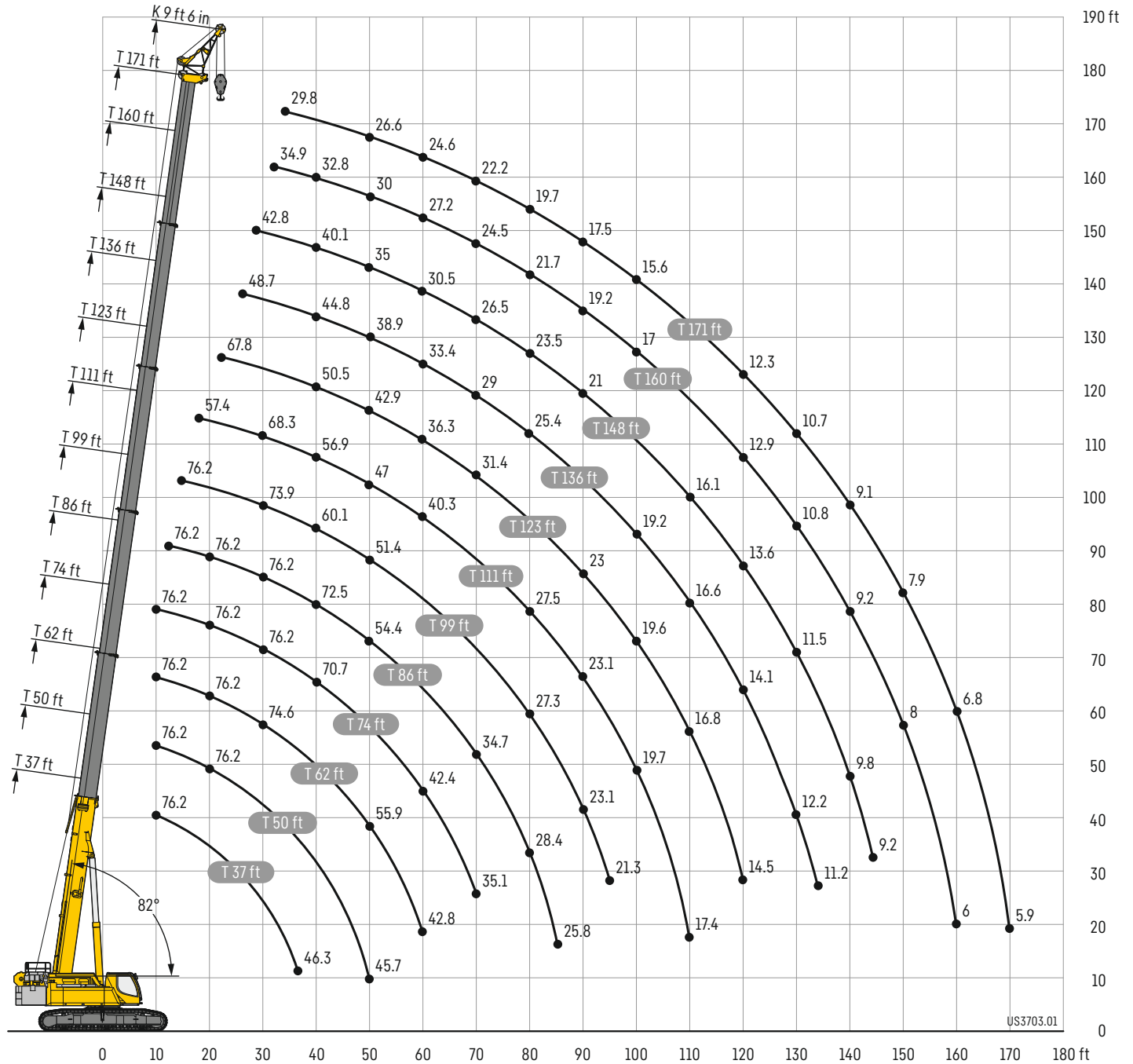


	37 ft + V 69 ft			123 ft + V 69 ft			136 ft + V 69 ft			148 ft + V 69 ft			160 ft + V 69 ft			171 ft + V 69 ft			
	K/NZK 62 ft																		
	0°	20°	40°	0°	20°	40°	0°	20°	40°	0°	20°	40°	0°	20°	40°	0°	20°*	40°*	
20	6.5																		20
22	6.5																		22
24	6.5																		24
26	6.5																		26
28	6.5																		28
30	6.5																		30
32	6.5																		32
34	6.5																		34
36	6.5																		36
38	6.5			8.3															38
40	6.5			8.2															40
45	6.2	6.7		8			6.3												45
50	5.9	6.3		7.7			6.3			5.7									50
55	5.6	5.9		7.4			6.1			5.7			3.8				2.5		55
60	5.2	5.5	5.6	7.1			5.9			5.5			3.8			2.5			60
65	4.9	5.1	5.2	6.8	6.5		5.7			5.4			3.8			2.4			65
70	4.5	4.7	4.9	6.5	6.2		5.5	5.4		5.2	5.1		3.8			2.4			70
75	4.2	4.4	4.5	6.2	6		5.3	5.2		5	4.9		3.8	4.2		2.4			75
80	3.8	4.1	4.2	6	5.7	5.5	5.1	5		4.9	4.8		3.8	4.1		2.4	2.7		80
85	3.5	3.8	4	5.7	5.5	5.2	4.9	4.8	4.7	4.7	4.6		3.8	4		2.3	2.7		85
90	3.3	3.5	3.7	5.5	5.2	5	4.8	4.6	4.5	4.5	4.4	4.3	3.8	3.9		2.3	2.6		90
95	3	3.2	3.4	5.3	5	4.8	4.6	4.4	4.4	4.4	4.3	4.2	3.8	3.7	3.7	2.3	2.6	2.8	95
100	2.7	2.9	3.1	5	4.8	4.6	4.4	4.3	4.2	4.2	4.1	4.1	3.7	3.6	3.6	2.3	2.6	2.8	100
105	2.5	2.7	2.9	4.8	4.6	4.4	4.3	4.1	4	4.1	4	3.9	3.6	3.5	3.5	2.2	2.6	2.7	105
110	2.3	2.5	2.7	4.6	4.4	4.2	4.1	3.9	3.9	3.9	3.8	3.8	3.4	3.4	3.4	2.2	2.5	2.7	110
115	2.2	2.3	2.5	4.3	4.2	4	3.9	3.8	3.7	3.8	3.7	3.7	3.3	3.3	3.3	2.1	2.5	2.6	115
120	2	2.1	2.2	4.1	4	3.9	3.7	3.7	3.6	3.6	3.6	3.5	3.2	3.2	3.1	2.1	2.4	2.6	120
125	1.8	1.9	2	3.9	3.8	3.7	3.6	3.5	3.5	3.5	3.4	3.4	3	3.1	3	2.1	2.4	2.6	125
130	1.7	1.8	1.9	3.8	3.6	3.6	3.4	3.4	3.4	3.3	3.3	3.3	2.9	2.9	2.9	2	2.3	2.5	130
135	1.6	1.6	1.7	3.6	3.5	3.4	3.3	3.2	3.2	3.2	3.2	3.2	2.8	2.8	2.8	2	2.2	2.5	135
140	1.5	1.5	1.6	3.5	3.3	3.2	3.2	3.1	3.1	3.1	3.1	3.1	2.6	2.7	2.7	1.9	2.1	2.4	140
145	1.4	1.4	1.5	3.3	3.2	3.1	3.1	3	3	3	3	3	2.5	2.5	2.6	1.9	2	2.3	145
150	1.4	1.4	1.5	3.1	3.1	3	2.9	2.9	2.9	2.9	2.8	2.8	2.3	2.4	2.5	1.8	1.9	2.1	150
155	1.4	1.4		3	2.9	2.9	2.8	2.8	2.8	2.8	2.7	2.7	2.2	2.3	2.4	1.7	1.8	2	155
160				2.9	2.8	2.8	2.7	2.7	2.6	2.7	2.6	2.6	2.1	2.1	2.2	1.6	1.7	1.9	160
165				2.7	2.7	2.7	2.6	2.6	2.5	2.6	2.5	2.5	1.9	2	2.1	1.5	1.5	1.7	165
170				2.6	2.5	2.6	2.5	2.5	2.5	2.5	2.4	2.5	1.8	1.8	2	1.3	1.4	1.6	170
175				2.5	2.4	2.5	2.4	2.4	2.4	2.4	2.4	2.4	1.7	1.7	1.9	1.2	1.3	1.5	175
180				2.4	2.3	2.4	2.3	2.3	2.3	2.3	2.3	2.3	1.5	1.6	1.7	1.1	1.2	1.3	180
185				2.3	2.2	2.3	2.2	2.2	2.2	2.2	2.2	2.2	1.4	1.5	1.6	1	1.1	1.2	185
190				2.2	2.2	2.2	2.1	2.1	2.1	2.1	2.1	2.2	1.3	1.3	1.5		1	1.1	190
195				2.1	2.1	2.1	2	2	2	2	2	2.1	1.2	1.2	1.4			1	195
200				2	2	2	2	2	2	2	2	2	1.1	1.1	1.2				200
205				1.9	1.9	2	1.9	1.9	1.9	1.9	1.9	2		1	1.1				205
210				1.8	1.8	1.9	1.8	1.8	1.8	1.8	1.8	1.9			1				210
215				1.8	1.8	1.8	1.8	1.8	1.8	1.7	1.8	1.8							215
220				1.6	1.7	1.7	1.7	1.7	1.7	1.5	1.7	1.8							220
225				1.6	1.6	1.7	1.6	1.6	1.7	1.1	1.6	1.7							225
230				1.5	1.5		1.6	1.6	1.7		1.3	1.5							230
235				1.5	1.5		1.4	1.5	1.6			1							235
240				1.5	1.5		1.1	1.4											240
245								1											245

* only possible in TVNZK mode - uniquement possible en cas de fonctionnement de la pointe pliante hydraulique de la flèche télescopique (TVNZK)

Lifting heights

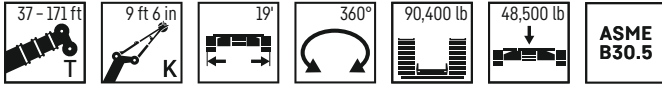
Hauteurs de levage



Lifting capacities

Forces de levage

TK



	37 ft	50 ft	62 ft	74 ft	86 ft	99 ft	111 ft	123 ft	136 ft	148 ft	160 ft	171 ft	
	K 9 ft 6 in												
10	76.2	76.2	76.2	76.2									10
11	76.2	76.2	76.2	76.2									11
12	76.2	76.2	76.2	76.2	76.2								12
13	76.2	76.2	76.2	76.2	76.2								13
14	76.2	76.2	76.2	76.2	76.2								14
15	76.2	76.2	76.2	76.2	76.2	76.2							15
16	76.2	76.2	76.2	76.2	76.2	76.2							16
17	76.2	76.2	76.2	76.2	76.2	76.2							17
18	76.1	76.2	76.2	76.2	76.2	76.2	57.4						18
19	75.2	76.2	76.2	76.2	76.2	76.2	76.2						19
20	73.9	76.2	76.2	76.2	76.2	76.2	76.2						20
22	71.4	76.2	76.2	76.2	76.2	76.2	76.2	67.8					22
24	69.2	75.2	76.2	76.2	76.2	76.2	76.2	66.1	48.7				24
26	67.4	73.3	76.2	76.2	76.2	76.2	76.2	64.3	52.6				26
28	65.7	71.4	76	76.2	76.2	76.2	70.9	62.2	51.6	42.8			28
30	64.4	69.6	74.6	76.2	76.2	73.9	68.3	60.1	50.5	44.5			30
32	63.2	67.9	73.1	75.7	76.2	70.6	65.6	58.3	49.4	43.9	34.9		32
34	61.1	66.4	71.6	74.6	75.6	68.1	62.9	56.3	48.2	43	34.3	29.8	34
36	56.8	65.2	70.1	73.1	74.7	65.3	60.8	54.4	47	42.2	33.8	29.4	36
38	46.3	64.1	68.7	71.9	73.7	62.8	58.8	52.5	45.9	41.1	33.3	29.1	38
40		63.3	67.5	70.7	72.5	60.1	56.9	50.5	44.8	40.1	32.8	28.7	40
45		60.2	64.8	64.6	63.7	55.2	51.8	46.5	41.8	37.5	31.4	27.7	45
50		45.7	55.9	55.5	54.4	51.4	47	42.9	38.9	35	30	26.6	50
55			48.6	48.3	47.2	47.6	43.4	39.4	36.1	32.6	28.6	25.6	55
60			42.8	42.4	41.8	42.5	40.3	36.3	33.4	30.5	27.2	24.6	60
65				37.6	38.7	37.7	37.2	33.6	31.1	28.4	25.8	23.5	65
70				35.1	34.7	33.7	33.8	31.4	29	26.5	24.5	22.2	70
75					31.3	30.2	30.4	29.4	27.2	24.9	23	20.9	75
80					28.4	27.3	27.5	27.3	25.4	23.5	21.7	19.7	80
85					25.8	25.3	25.3	24.9	24	22.2	20.4	18.6	85
90						23.1	23.1	23	22.4	21	19.2	17.5	90
95						21.3	21.2	21.4	20.8	19.8	18.1	16.6	95
100							19.7	19.6	19.2	18.7	17	15.6	100
105							18.8	17.9	17.8	17.2	16.1	14.7	105
110							17.4	16.8	16.6	16.1	15.2	13.9	110
115								15.7	15.3	14.8	14.1	13.1	115
120								14.5	14.1	13.6	12.9	12.3	120
125									13	12.5	11.8	11.6	125
130									12.2	11.5	10.8	10.7	130
135									11.2	10.6	9.9	9.8	135
140										9.8	9.2	9.1	140
145										9.2	8.6	8.5	145
150											8	7.9	150
155											7.4	7.4	155
160											6	6.8	160
165												6.4	165
170												5.9	170

maxt_307_003_00114_00_000

Equipment

Crawler travel gear

Frame	Liebherr manufactured, weight-optimized and torsion resistant box-type design, consisting of crawler center section and two crawler tracks. The crawler tracks can be removed from the telescoping beams. Hydraulic track width adjustment.
Tracks	Maintenance free crawler tracks with 2 ft 11 in wide triple grouser track pads.
Travel drive	Per crawler carrier, a hydraulic travel drive consisting of an axial piston motor, planetary gear with spring-loaded hydraulically-releasable travel brake. The crawler chains can be controlled synchronously as well as independently and counter-rotating. Travel speed: 0 – 1.4 mph.
Central ballast	48,500 lb, placement blocks at 24,250 lb each, mounting on crawler center section.

Crane superstructure

Frame	Liebherr manufactured, weight optimized and torsion resistant welding construction fabricated from high tensile fine grain steel. As connection element to the crawler chassis serves a single row ball bearing slewing ring between the undercarriage and superstructure allows for unlimited slewing.
Crane engine	4-cylinder Liebherr Diesel, watercooled, output 218 kW (296 h.p.), max. torque 1062 lb-ft. Exhaust emissions to (EU 2016/1628 and EPA/CARB or ECE-R.96, spark arrestor. Fuel reservoir: 254 gallons.
Crane drive	Diesel-hydraulic, with axial piston variable displacement pumps, with servo-control and capacity control, open controlled oil circuits. Hydraulic drive flanged to the diesel engine via the transfer case.
Control	Electric “Load Sensing” control, simultaneous operation of 4 working motions, 2 self-centering hand control levers (joy-stick type). The crawler travel gear is operated via the 2 two-way controllable foot pedals. The crawler travel gear and the crane superstructure can be driven simultaneously.
ECOMode	Automatic adaption of the diesel engine speed, fuel saving and reduction of the noise emission.
Hoist gear	Axial piston fixed displacement motor, Liebherr hoist drum with integrated planetary gear and spring-loaded static brake.
Luffing gear	1 differential ram with safety check valves.
Slewing gear	Axial piston fixed displacement motor, planetary gear, spring-loaded static brake, slewing gear reversible.
Crane cab	Large screen area, compound glass, comfort furnishing, cab tiltable backwards.
Safety devices	LICCON2 safe load indicator, test system hoist limit switch, safety valves to prevent pipe and hose ruptures.
Telescopic boom	1 base section and 5 telescopic sections. All telescopic sections extendable individually by means of the rapid-cycle telescoping system Telematik. Boom length 37 ft – 171 ft.
Counterweight	68,350 lb
Electrical system	Modern data bus technique, 24 Volt DC.
Lateral inclination	0.3°, 1.5°, 2.5° and 4° lateral inclination on tables for the telescopic boom and 9 ft 6 in assembly jib.

Additional equipment

K	Assembly jib 9 ft 6 in with steel cable pulleys.
K	Single folding jib, 35 ft Double swing-away jib 35 ft – 62 ft Mechanical adjustment 0°; 20°; 40°
NZK	Single folding jib, 35 ft Double swing-away jib 35 ft – 62 ft Hydraulic adjustment 0° – 40°
V	Telescopic boom extension 3 x 23 ft
2nd hoist gear	For two-hook operation or for operation with swing-away jib if the hoist rope shall remain reeved.
Additional counterweight	2 x 11,025 lb for a total counterweight of 90,400 lb.
Jack-up cylinder incl. folding brackets	For crawler removal, flatbed trailer transit height 3 ft 11 in, flatbed trailer transit width 10 ft 2 in.
Track pads	2 ft 11 in flat track pads
Other items of equipment available on request.	

Équipement

Train de chenilles

Châssis	Construction en caisse résistante à la torsion et optimisée en poids réalisée par Liebherr en acier de construction, constitué de la partie centrale du train de roulement et de deux longerons. Les longerons peuvent être démontés des poutres télescopiques. Réglage hydraulique de la voie.
Train de roulement	Train de roulement sans entretien, muni de tuiles à 3 nervures, de 2 ft 11 in de large.
Transmission	Une transmission hydraulique par longeron, comprenant un moteur à cylindrée variable et pistons axiaux, un réducteur planétaire avec frein à ressort et à déblocage hydraulique. Les chaînes sont synchrones, indépendantes et une commande inversée est possible. Vitesse de translation: 0 - 1.4 mph.
Contrepoids central	48,500 lb, blocs de suspension de 24,250 lb chacun, fixation sur la partie centrale du train de roulement.

Partie tournante

Cadre	Fabrication Liebherr, structure mécano-soudée en acier allégé à haute résistance à grains fins. Une couronne d'orientation à une rangée de billes permettant une rotation illimitée sert d'élément de raccordement au train de chenilles.
Moteur	Moteur diesel Liebherr, 4 cylindres, à refroidissement par eau, de 218 kW (296 ch), couple max. 1062 lb-ft. Emissions des gaz d'échappement conformes aux directives (EU) 2016/1628 et EPA/CARB ou ECE-R.96, pare-étincelles. Capacité du réservoir à carburant: 254 gallons.
Entraînement	Diesel hydraulique avec des pompes à débit variable à pistons axiaux, servocommande et régulation de la puissance, circuits hydrauliques ouverts et régulés. Entraînement hydraulique relié au moteur Diesel via une boîte de transfert.
Direction	Direction électrique «Load Sensing», 4 mouvements de travail dirigeable simultanément, deux leviers de commande à 4 positions et à auto-centrage. Le train de chenilles est actionné par 2 pédales à double commande. Le train de chenilles et la partie tournante de la grue peuvent être déplacés simultanément.
Mode ECO	Adaptation automatique du régime du moteur diesel, économie de carburant et réduction des émissions sonores.
Mécanisme de levage	Moteur à cylindrée constante et à pistons axiaux. Treuil de marque Liebherr équipé d'un engrenage planétaire et d'un frein d'arrêt commandé par ressort.
Mécanisme de relevage	1 vérin différentiel avec soupapes de retenu.
Dispositif de rotation	Moteur à cylindrée constante à pistons axiaux, engrenage planétaire, frein d'arrêt commandé par ressort, mécanisme d'orientation commutable.
Cabine de grue	Large champ de vision, vitrage de sécurité, équipement pour un confort idéal, cabine inclinable vers l'arrière.
Dispositif de sécurité	Contrôleur de charge «LICCON2», système test limitation de la course pour le levage, soupape de sûreté contre la rupture de tubes et de tuyaux.
Flèche télescopique	Un élément de base et de 5 télescopes. Chaque partie peut être télescopée individuellement à l'aide du système de télescopage séquentiel rapide Telematik. Longueur de flèche: 37 ft - 171 ft.
Contrepoids	68,350 lb
Installation électrique	Technique moderne de transmission de données par BUS de données. Courant continu 24 Volts.
Inclinaison latérale	Inclinaison latérale de 0,3°, 1,5°, 2,5° et 4° avec les tableaux correspondants à la flèche télescopique et à la fléchette de montage 9 ft 6 in.

Équipement supplémentaire

K	Fléchette de montage 9 ft 6 in avec poulies de câble en acier.
K	Fléchette pliante simple, longueur 35 ft Double fléchette pliante 35 ft - 62 ft Réglage mécanique 0°; 20°; 40°
NZK	Fléchette pliante simple, longueur 35 ft Double fléchette pliante 35 ft - 62 ft Réglage hydraulique 0° - 40°
V	Rallonge flèche télescopique 3 x 23 ft
2ème mécanisme de levage	Pour l'utilisation du deuxième crochet, ou bien pour une utilisation avec fléchette pliante lorsque le câble de levage principal rest mouflé.
Contrepoids supplémentaire	2 x 11,025 lb pour un contrepoids total de 90,400 lb.
Vérin Jack-up, consoles rabattables incl.	Pour le démontage des chenilles, hauteur de passage des remorques surbaissées 3 ft 11 in, largeur de passage des remorques surbaissées 10 ft 2 in.
Tuiles	Tuiles plates de 2 ft 11 in

Autres équipements supplémentaires sur demande.

Description of symbols

Explication des symboles



Max. capacity
Capacité max.



Max. hoist height
Hauteur de levage max.



Max. radius
Portée max.



Driving force
Puissance propulsive



Total weight
Poids total



Ground pressure
Pression au sol



Driving speed
Vitesse de translation



Gradability
Aptitude à graver les pentes



Rope diameter
Diamètre



Rope length
Longueur du câble



Max. single line pull
Effort au brin maxi.



Hoist gear
Treuil de levage



Slewing speeds
Vitesses d'orientation



Boom length
Longueur de la flèche



Boom position
Position de la flèche



Hookblock/Capacity
Moufle à crochet/Capacité de charge



No. of sheaves
Poulies



No. of lines
Brins



Weight
Poids



infinitely variable
en continu



Radius
Portée



Telescopic boom
Flèche télescopique



Hydraulic swing away jib
Flèche pliante hydraulique



Telescopic boom extension
Rallonge flèche télescopique



Assembly jib
Flèche de montage



Width crawler chassis
Largeur du train de chenilles



Counterweight
Contrepoids



Central ballast
Contrepoids central

Remarks

1. The lifting capacities do not exceed 75 % of the tipping load according to ASME B 30.5. The crane's structural steelwork is in accordance with EN 13000 and ASME B 30.5.
2. For the calculation of the load charts at least a wind speed of 30 ft/s (9 m/s, 20 mph) and regarding the load a sail area of 1 m² per ton load and a wind resistance coefficient of 1.2 on the load have been taken into account. For lifting of loads with large sail areas and/or high wind resistance coefficients the maximum wind speed as stated in the load charts has to be reduced.
3. The lifting capacities stated are valid for lifting operation only (corresponding with crane classification according to ISO 4301-1, crane group A1).
4. Lifting capacities are given in kip.
5. The weight of the hook blocks and hooks is part of the load and therefore it must be deducted from the lifting capacities.
6. Working radii are measured from the slewing center.
7. The stated lengths of the telescopic boom are maximum values and may deviate slightly.
8. The lifting capacities given for the telescopic boom apply if the folding jib is removed.
9. Lifting capacities above 189,600 lb/257,700 lb only with additional pulley block/special equipment.
10. Subject to modification of lifting capacities.
11. Lateral inclination $\pm 0.3^\circ$.
12. The data of this brochure serves only for general information. All information is provided without warranty. Instructions for the correct commissioning of the crane please take from the operation manual and the load chart book.
13. The illustrations in this brochure may feature accessories and special equipment not included in the standard scope of delivery.

Remarques

1. La capacité de charge ne doit pas dépasser 75 % de la charge de basculement conformément à ASME B 30.5. La structure métallique de la grue est conforme à EN 13000 et ASME B 30.5.
2. Une vitesse de vent de 30 ft/s (9 m/s, 20 mph) minimum, une surface de prise au vent de 1 m² par tonne ainsi qu'un coefficient de résistance au vent de la charge 1,2 sont pris en compte pour le calcul des tableaux de charge. Lorsque des charges ayant une surface de prise au vent et/ou un coefficient de résistance au vent plus élevé(e)(s) sont levées, la vitesse de vent maximale indiquée dans les tableaux de charge doit être réduite.
3. Forces de levage pour application de grue de montage (correspond à la classification de grues selon ISO 4301-1, groupe de grues A1).
4. Les charges sont indiquées en kip.
5. Le poids du crochet de levage resp. de la moufle à crochet est une partie de la charge et doit donc être déduit de la capacité de charge.
6. Les portées sont calculées à partir de l'axe de rotation.
7. Les longueurs indiquées pour la flèche télescopique sont des valeurs maximales et peuvent légèrement varier dans la réalité.
8. Les charges indiquées pour la flèche télescopique sont valables lorsque la fléchette pliante est démontée.
9. Les charges supérieures à 189,600 lb/257,700 lb seulement avec moufle additionnel/équipement supplémentaire.
10. Charges données sous réserve de modification.
11. Inclinaison latérale $\pm 0,3^\circ$.
12. Les données de cette brochure sont données à titre informatif. Ces renseignements sont sans garantie. Les consignes relatives à la bonne mise en service de la grue sont disponibles dans le manuel d'utilisation et le manuel de tableaux de charge.
13. Les figures contiennent également des accessoires et des équipements spéciaux non inclus de série dans la livraison.

MyLiebherr

Our MyLiebherr portal is the easy way for you to access Liebherr's digital service world.
Take advantage of extensive basic and additional services for your mobile and crawler cranes.

Avec notre portail MyLiebherr, accédez facilement à l'univers numérique du service de Liebherr.
Bénéficiez dès maintenant d'un service global et de prestations complémentaires pour vos grues mobiles et sur chenilles.



One portal, all services

MyLiebherr



Planning

Crane Finder



Operations

Performance



Planning

Crane Planner 2.0



Operations

Documents



Maintenance

Spare Parts Catalogue



Planning

LICCON Work Planner



Training

Digital Crane Operator



Maintenance

Parts Shop

Proposition 65



WARNING: This product can expose you to chemicals, including exhaust emissions, including lead and lead compounds, which are known to the State of California to cause cancer, birth defects or other reproductive harm.
For more information see: www.P65warnings.ca.gov/diesel

Subject to modification · Sous réserve de modifications

Liebherr-Werk Ehingen GmbH · Postfach 1361 · 89582 Ehingen, Germany
Phone +49 73 91 5 02-0 · www.liebherr.com

MyLiebherr



Printed in Germany (2)
lwe-tg-307-04-us11-2025