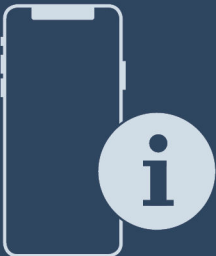




## Installation Guide

Quality, Design and Innovation



[home.liebherr.com/fridge-manuals](http://home.liebherr.com/fridge-manuals)




# LIEBHERR


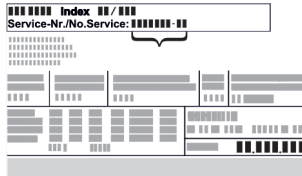




# Installation conditions

## Contents

<b>1</b>	<b>Installation conditions.....</b>	<b>2</b>
1.1	Installation location.....	2
1.2	Electrical connection.....	3
<b>2</b>	<b>Appliance dimensions.....</b>	<b>3</b>
<b>3</b>	<b>Recess dimensions.....</b>	<b>3</b>
<b>4</b>	<b>Transporting appliance.....</b>	<b>3</b>
<b>5</b>	<b>Unpacking appliance.....</b>	<b>4</b>
<b>6</b>	<b>Installing appliance.....</b>	<b>4</b>
<b>7</b>	<b>Setting up the appliance so it is level.....</b>	<b>4</b>
<b>8</b>	<b>Installing multiple appliances.....</b>	<b>4</b>
<b>9</b>	<b>After installation.....</b>	<b>4</b>
<b>10</b>	<b>Disposing of packaging.....</b>	<b>4</b>
<b>11</b>	<b>Replacing the door hinge.....</b>	<b>4</b>
11.1	Safety instructions.....	4
11.2	Tool.....	5
11.3	Removing covers.....	5
11.4	Removing the front panel.....	5
11.5	Removing the door.....	6
11.6	Re-locating the top cover.....	7
11.7	Relocating the stop plate.....	7
11.8	Converting the handle.....	8
11.9	Taking off the cover.....	8
11.10	Converting the plug holder.....	8
11.11	Converting the lock.....	9
11.12	Putting on the cover.....	9
11.13	Converting the top hinge.....	10
11.14	Converting the bottom hinge.....	11
11.15	Fitting the door.....	13
11.16	Putting on the front panel.....	13
11.17	Putting on the covers.....	14
<b>12</b>	<b>Aligning the door.....</b>	<b>14</b>
<b>13</b>	<b>Recessed installation.....</b>	<b>15</b>
13.1	Tool.....	15
13.2	Preparing the appliance.....	15
13.3	Screwing the appliance to the ceiling.....	15
13.4	Fixing the appliance on the side.....	16
13.5	Aligning the appliance.....	16
13.6	Fitting the base.....	16
13.7	Screwing the appliance into the niche.....	16
<b>14</b>	<b>Connecting the appliance to the power supply....</b>	<b>17</b>

The manufacturer is continually working on the further development of all types and models. Please be aware that we reserve the right to make changes to the shape, equipment and technology.

Symbol	Explanation
	<b>Read instructions</b> Please read the information in these instructions carefully to understand all of the benefits of your new appliance.

Symbol	Explanation
	<b>Additional information on the Internet</b> The digital manual with additional information and in other languages can be found via the QR code on the front of the manual or by entering the service number at <a href="http://home.liebherr.com/fridge-manuals">home.liebherr.com/fridge-manuals</a> . The service number can be found on the serial tag:  <i>Fig. Example illustration</i>
	<b>Check appliance</b> Check all parts for transport damage. If you have any complaints, please contact your agent or customer service.
	<b>Differences</b> These instructions apply to a range of models, so differences are possible. Sections that apply to certain models only are marked with an asterisk (*).
	<b>Instructions and results</b> Instructions are marked with a ▶. Results are marked with a ▷.
	<b>Videos</b> Videos about the appliances are available on the YouTube channels of Liebherr-Hausgeräte.

### Open source licences:

The appliance contains software components that use open source licences. Information on the open source licences used can be found here: [home.liebherr.com/open-source-licences](http://home.liebherr.com/open-source-licences)

## 1 Installation conditions



### WARNING

Fire hazard due to dampness!

If live parts or the mains lead become damp this may cause short circuits.

- ▶ The appliance is designed for use in enclosed areas. Do not operate the appliance outdoors or in areas where it is exposed to splash water or damp conditions.

### 1.1 Installation location



### WARNING

Leaking coolant and oil!

Fire. The coolant contained in the appliance is eco-friendly, but also flammable. The oil contained in the appliance is flammable. Escaping coolant and oil can ignite if the concentration is high enough and in contact with an external heat source.

- ▶ Do not damage the pipelines of the coolant circuit and the compressor.

- Do not install appliance in direct sunlight, next to an oven, radiator or similar.
- The best place for installation is a dry and well ventilated room.
- If the appliance is installed in a very humid environment, condensation can form on the outside of the appliance. Always ensure good airflow and ventilation in the installation location.
- The more refrigerant there is in the appliance, the larger the space it is installed in must be. If the space is too small, any leak may create a flammable mixture of gas and air. For every 8 g of refrigerant, the installation space must be at least 1 m<sup>3</sup>. Information regarding the refrigerant can be found on the type plate inside the appliance.
- The floor of the location must be horizontal and even.
- The installation location must be able to withstand the weight of the appliance plus weight when stocked to maximum level.
- Use in hazardous areas is not permitted.

## 1.2 Electrical connection



### WARNING

Danger of fire due to incorrect positioning!

If the mains cable or plug touches the back of the appliance, the vibration can damage the mains cable or the plug resulting in a short circuit.

- ▶ Make sure the mains cable is not trapped under the appliance when you position the appliance.
- ▶ Stand the appliance so that it is not touched by connectors or main cables.
- ▶ Do not connect any appliances to sockets in the area of the back of the appliance.
- ▶ Do **not** place and operate multi-sockets/power distributors and other electronic devices (such as halogen transformers) at the back of the appliances.

## 2 Appliance dimensions

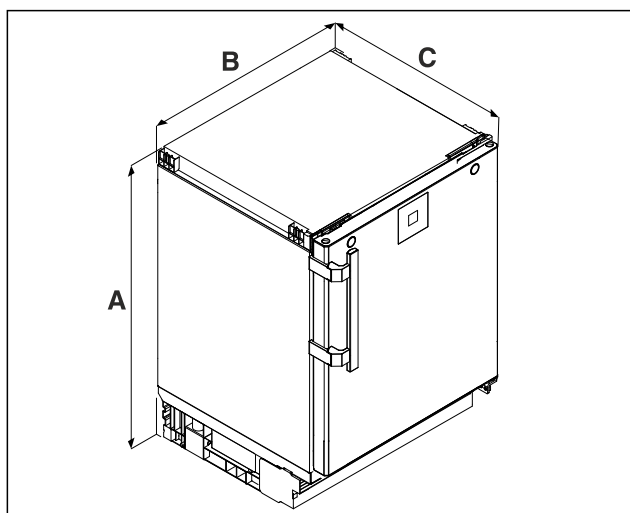


Fig. 1 Example illustration

- (A) Appliance height including feet  
(B) Appliance width  
(C) Appliance depth

A	819 mm
B	597 mm
C	580 mm

## 3 Recess dimensions

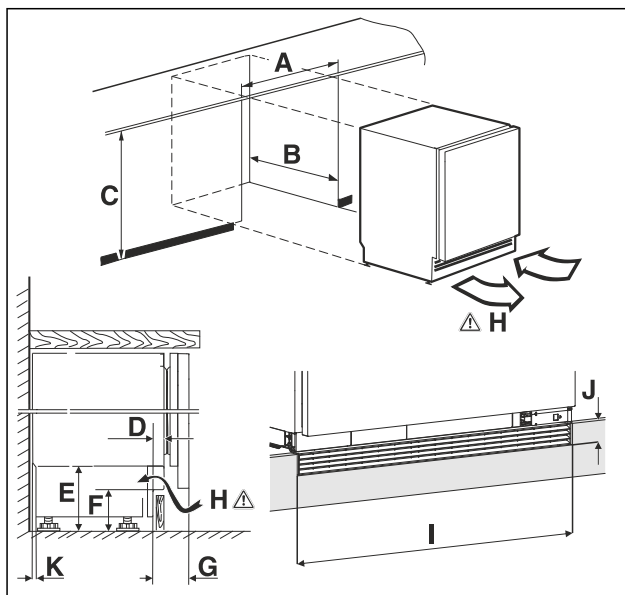


Fig. 2 Example illustration

- (A) Niche width  
(B) Niche depth  
(C) Niche height  
(H) Ventilation cross-section

A	600 mm
B	min. 580 mm
C	820 mm to 880 mm
D	11 mm to 66 mm
E	100 mm to 160 mm
F	60 mm to 120 mm
G	67 mm to 122 mm
H	150 cm <sup>2</sup>
I	600 mm
J	40 mm
K	35 mm

## 4 Transporting appliance



### WARNING

Risk of injury due to broken glass!\*

When transporting at an altitude of more than 1500 m, the glass panes of the door may break. This can result in sharp-edged fragments, which can cause serious injuries.

- ▶ Take appropriate protective action.

#### Note when transporting the appliance:

- ▶ Transport the appliance upright.
- ▶ Use two people to transport the appliance.

#### During first use:

- ▶ Transport the appliance packaged.

#### When transporting appliances after initial commissioning (e. g. moving or cleaning):

- ▶ Empty the appliance.
- ▶ Secure the door against unintentional opening.

# Unpacking appliance

## 5 Unpacking appliance

- ▶ Check the appliance and the packaging for damage during transport. Contact the supplier immediately if you suspect any damage. Do not connect appliance to the power supply.
- ▶ Remove all packaging materials from the rear or the side walls of the fridge that may prevent proper installation or prevent air flow and ventilation.

## 6 Installing appliance



### CAUTION

Risk of injury and damage.

- ▶ Use 2 people to install appliance.



### CAUTION

Risk of injury and damage.

The door can knock against the wall and become damaged as a result. In the case of glass doors, the damaged glass can cause injuries.

- ▶ Protect the door from knocking against the wall. Attach door stopper, e.g. felt stopper, to the wall.

- ▶ Connect all necessary components (e.g. mains cable) to the back of the appliance and route to the side.

### Note

Cables can be damaged.

- ▶ Do not jam the cable when pushing the appliance back.

## 7 Setting up the appliance so it is level

### NOTICE

Appliance body is deformed and door does not close.

- ▶ Align appliance horizontally and vertically.
- ▶ Compensate for uneven floors using adjustable feet.



### WARNING

Incorrect height adjustment of the adjustable foot!

Can cause severe or even fatal injury. Incorrect height adjustment can cause the bottom part of the adjustable foot to come loose and the appliance to tip over.

- ▶ Do not unscrew the adjustable foot too far.

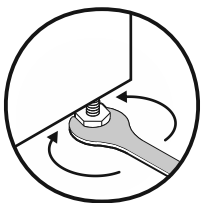


Fig. 3

### Raising appliance:

- ▶ Turn adjustable foot clockwise.

### Lowering appliance:

- ▶ Turn adjustable foot anticlockwise.

## 8 Installing multiple appliances

### NOTICE

Risk of damage due to condensation between the side walls.

- ▶ Do not install the appliance directly next to another fridge.
- ▶ Install appliances with a space 3 cm between appliances.
- ▶ Only install multiple appliances up to temperatures of 35 °C and 65% humidity next to one another.
- ▶ At higher levels of humidity, increase space between appliances.

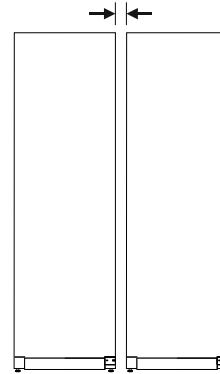


Fig. 4 Side-by-side installation

### Note

A side-by-side kit is available as an accessory via Liebherr Customer Service.

## 9 After installation

- ▶ Peel off the protective films. \*
- ▶ Clean appliance.
- ▶ If necessary: Disinfect the appliance.
- ▶ Keep the invoice so you have the appliance and dealer information available if needed.

## 10 Disposing of packaging



### WARNING

Danger of suffocation due to packing material and plastic film!

- ▶ Do not allow children to play with packing material.

The packaging is made of recyclable materials:

- corrugated board/cardboard
- expanded polystyrene parts
- polythene bags and sheets
- polypropylene straps
- nailed wooden frame with polyethylene panel\*

- ▶ Take the packaging material to an official collecting point.

## 11 Replacing the door hinge

### 11.1 Safety instructions



### WARNING

Risk of injury if the door is not reversed correctly!

- ▶ Replace the door hinge with specialist personnel.



## WARNING

- Risk of injury and material damage due to door weight!
- ▶ Only change the door hinge if you can carry a weight of 15 kg.
  - ▶ Change the door hinge with two people.

## NOTICE

- Live parts!  
Damage to electrical components.
- ▶ Remove the mains plug before you reverse the door.

## 11.2 Tool



## 11.3 Removing covers

- ▶ Open the door.

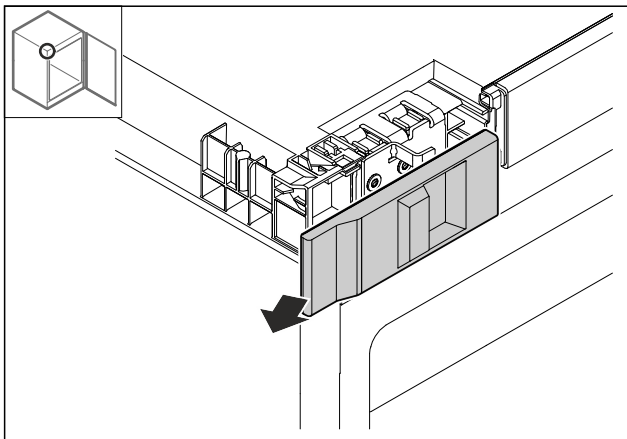


Fig. 5

- ▶ Remove cover.

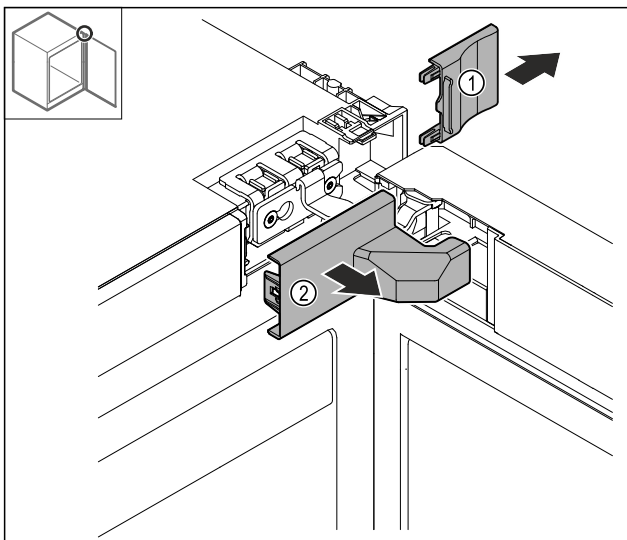


Fig. 6

- ▶ Remove the cover Fig. 6 (1) and then cover Fig. 6 (2).

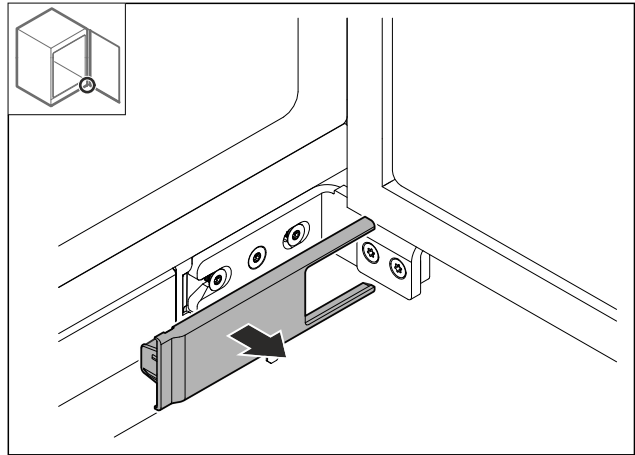


Fig. 7

- ▶ Remove cover.

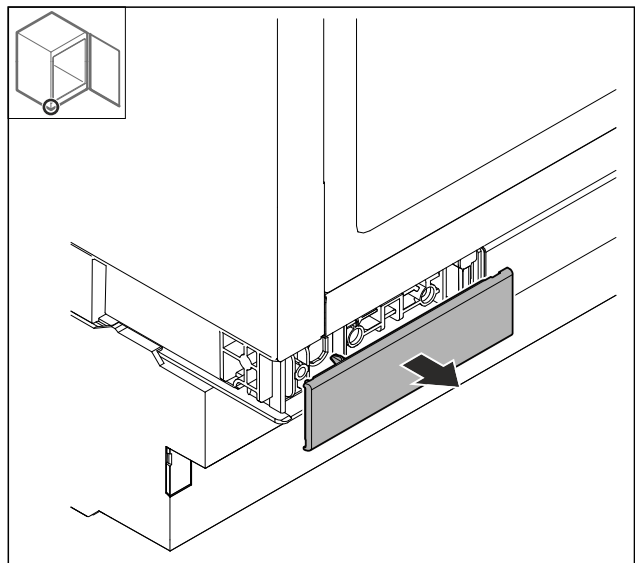


Fig. 8

- ▶ Remove cover.

## 11.4 Removing the front panel

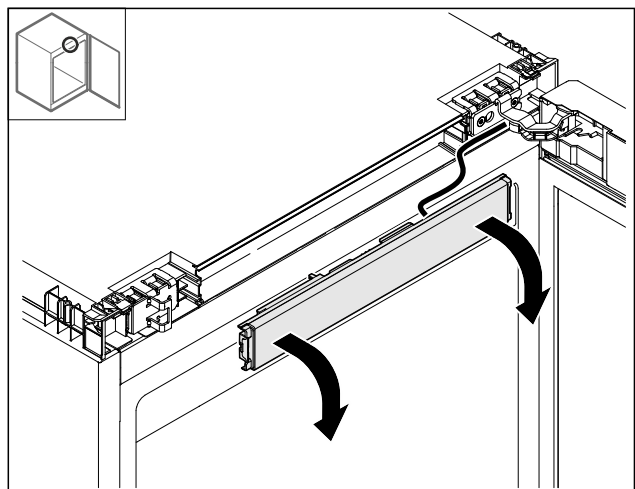


Fig. 9

- ▶ Remove the front panel.
- ▶ **TIP for further steps:** photograph how the cables are laid.

# Replacing the door hinge

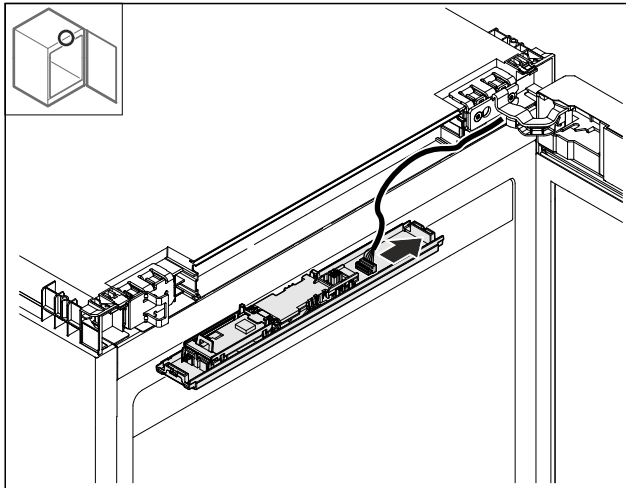


Fig. 10

- ▶ Unplug the plug.

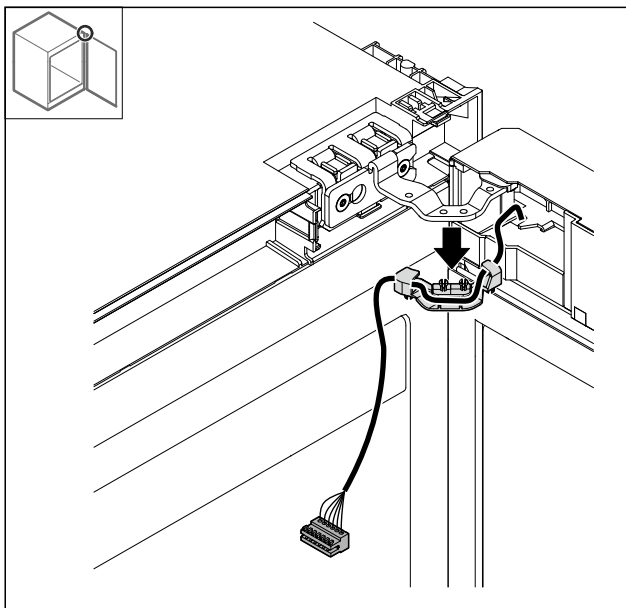


Fig. 11

- ▶ Pull the cable with the bracket out the hinge.
- ▶ The cable with the bracket is hanging on the door.

## 11.5 Removing the door

### NOTICE

Risk of injury if the door tips out!

- ▶ Hold the door.

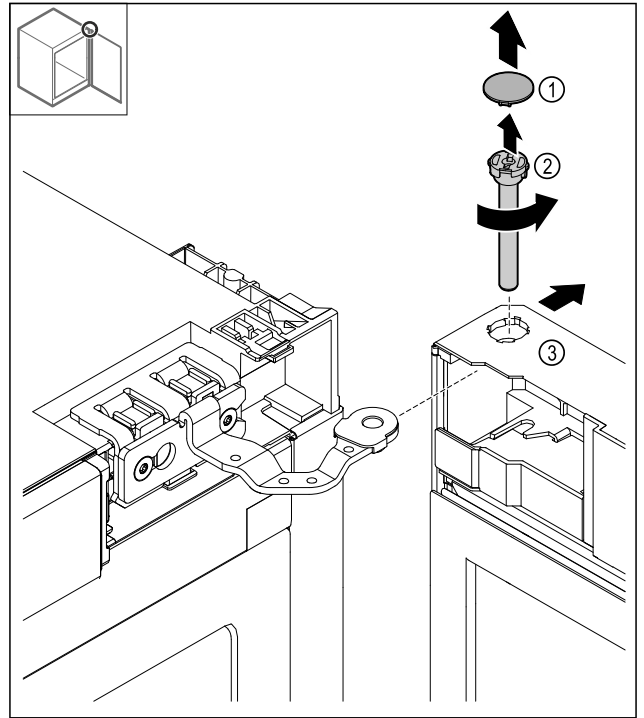


Fig. 12

- ▶ Remove the cover Fig. 12 (1).
- ▶ Loosen the bolt Fig. 12 (2) anti-clockwise and pull it out.
- ▶ Tilt the door Fig. 12 (3) slightly.

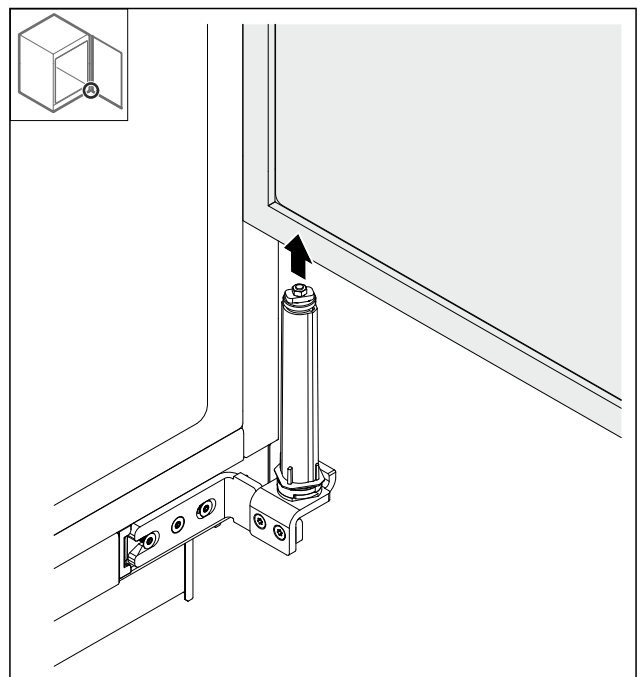


Fig. 13

- ▶ Remove the door upwards.
- ▶ Place the door on a soft surface.

## 11.6 Re-locating the top cover

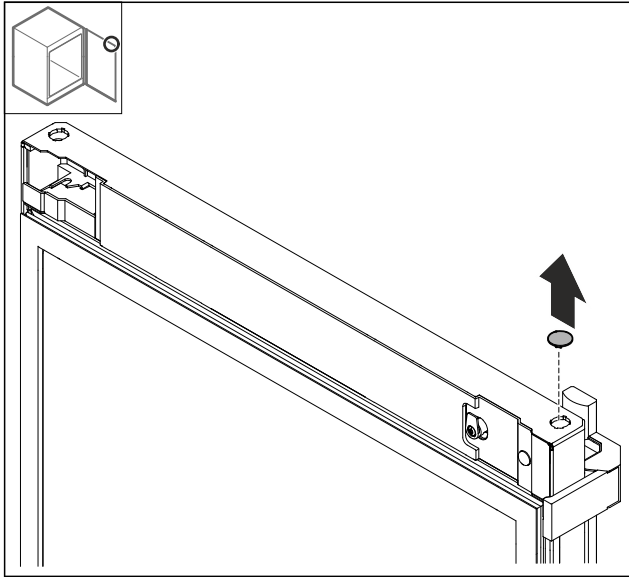


Fig. 14

- ▶ Remove the cover.

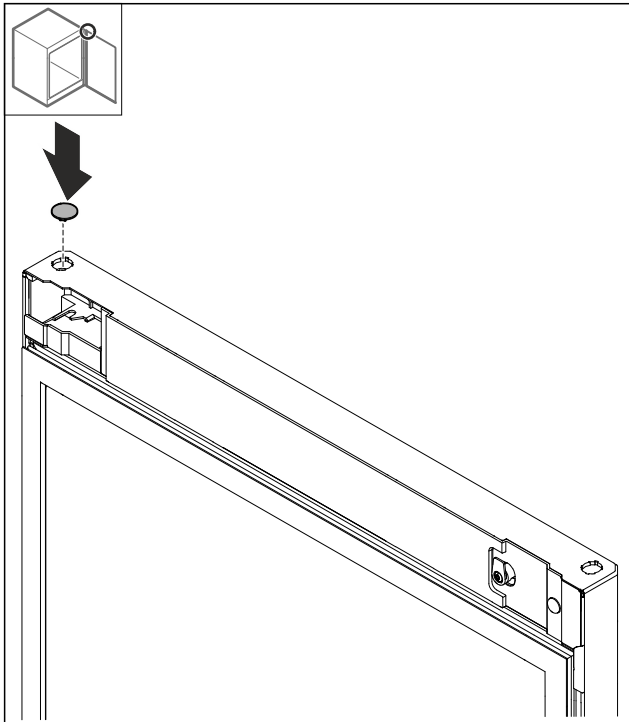


Fig. 15

- ▶ Insert the cover.

## 11.7 Relocating the stop plate

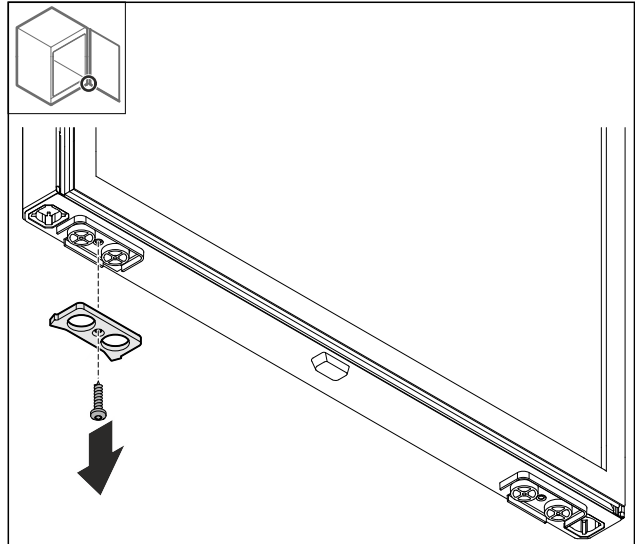


Fig. 16

- ▶ Detach the stop plate.

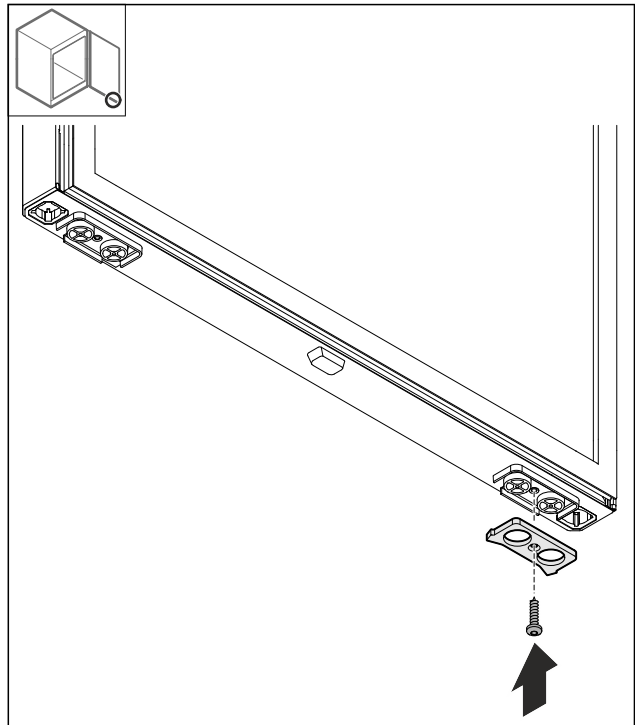


Fig. 17

- ▶ Attach the stop plate on the opposite side.

# Replacing the door hinge

## 11.8 Converting the handle

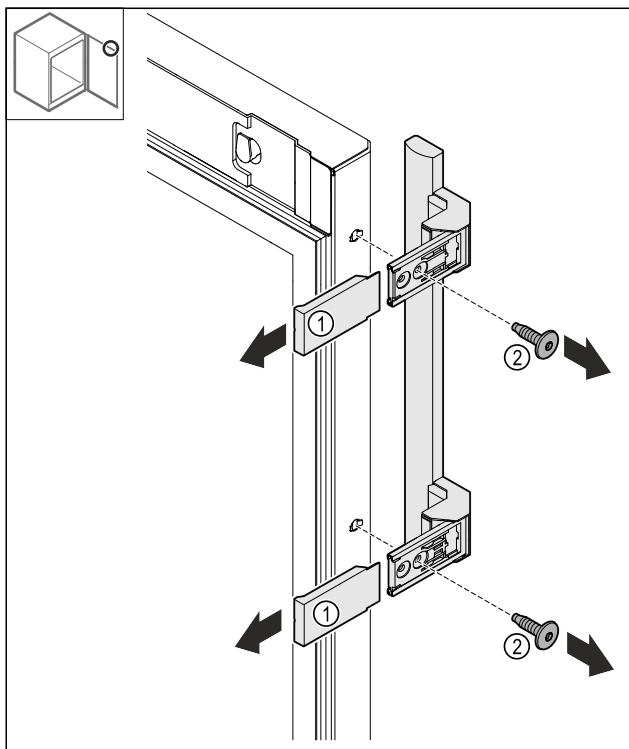


Fig. 18

- ▶ Remove the covers Fig. 18 (1).
- ▶ Loosen the screws Fig. 18 (2).
- ▶ Remove the handle.

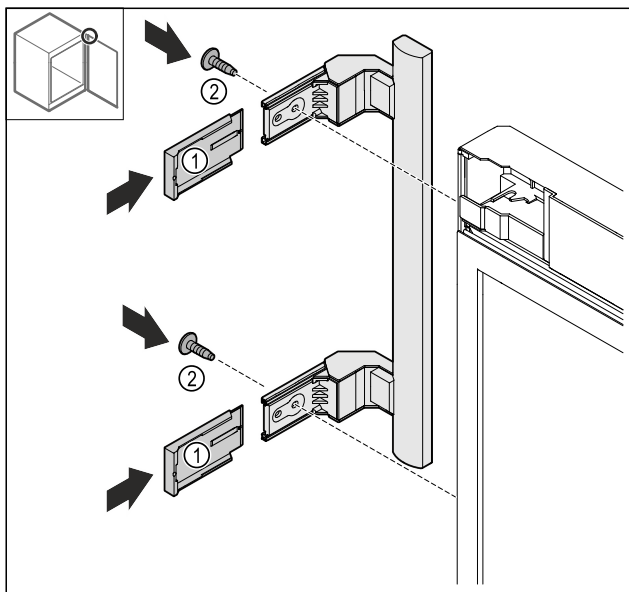


Fig. 19

- ▶ Move the plug to the opposite side.\*
- ▶ Screw the handle on to the opposite side.
- ▶ Push the covers Fig. 19 (1) on.

## 11.9 Taking off the cover

- ▶ Lock the door.

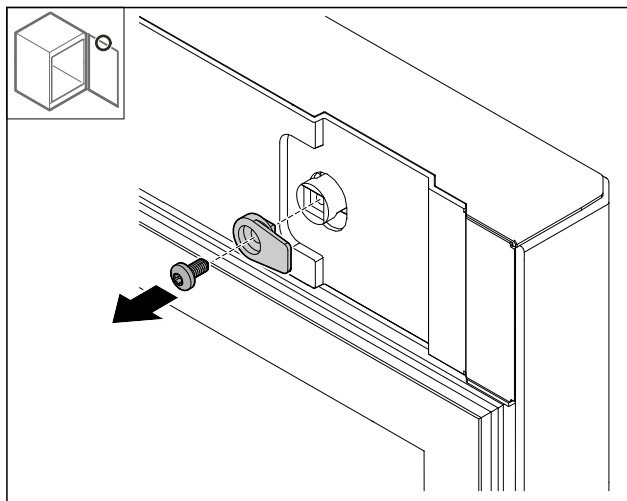


Fig. 20

- ▶ Detach the locking hook.

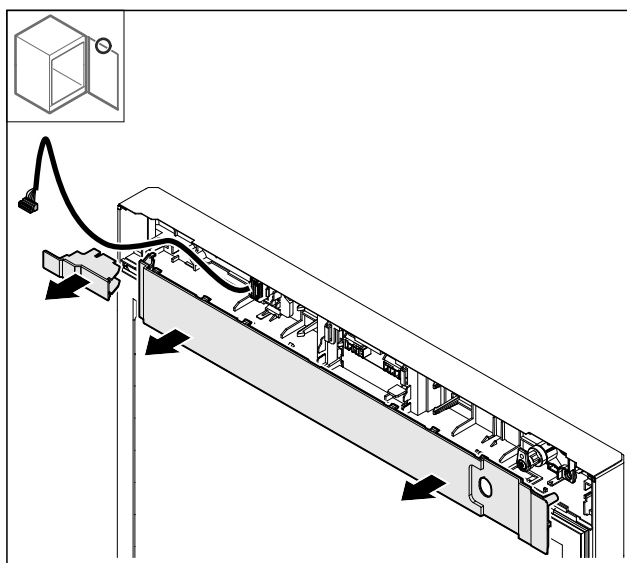


Fig. 21

- ▶ Remove covers.

## 11.10 Converting the plug holder

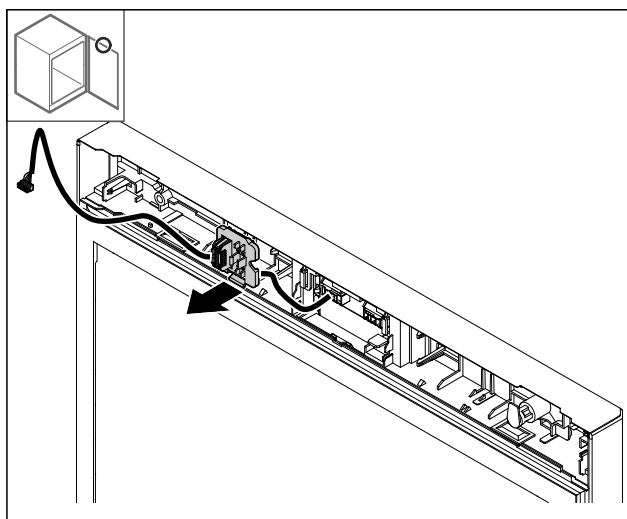


Fig. 22 The installation position for the plug holder can be rotated by 180°.

- ▶ Unlatch the plug holder.

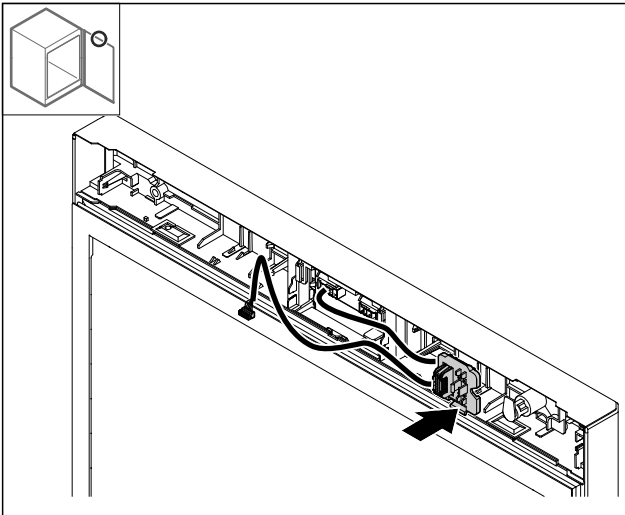


Fig. 23

- ▶ Engage the plug holder on the opposite side.

## 11.11 Converting the lock

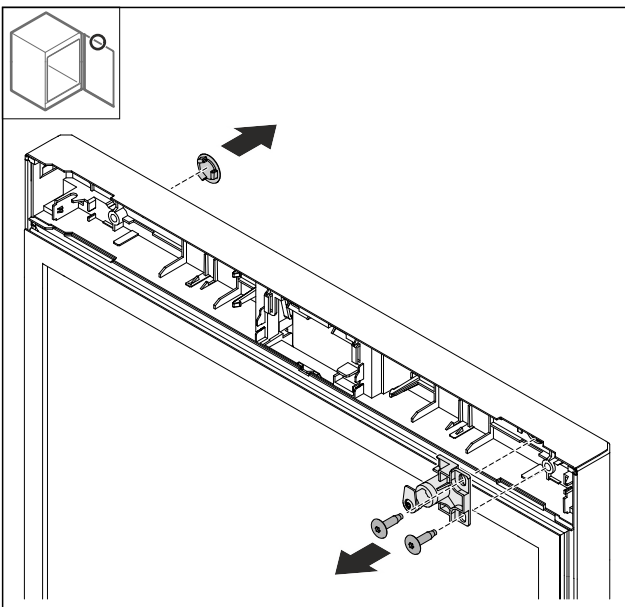


Fig. 24 Example illustration: Foamed door

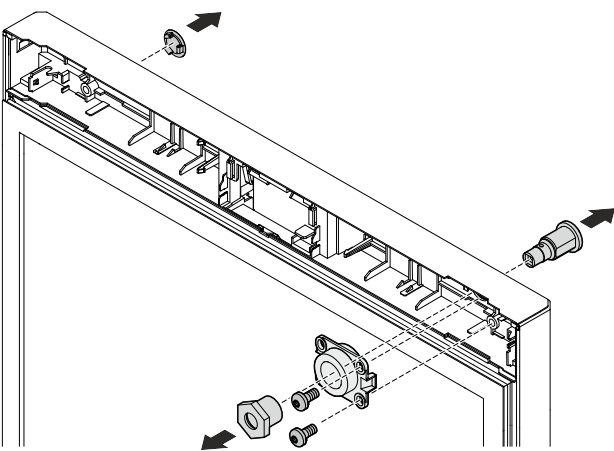


Fig. 25 Example illustration: Glass door

- ▶ Remove cover.
- ▶ Remove the lock.

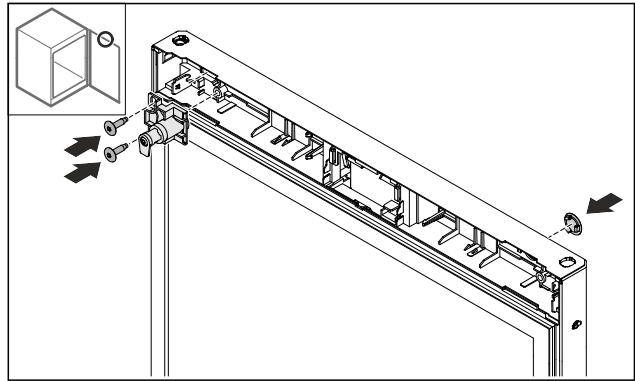


Fig. 26 Example illustration: Foamed door

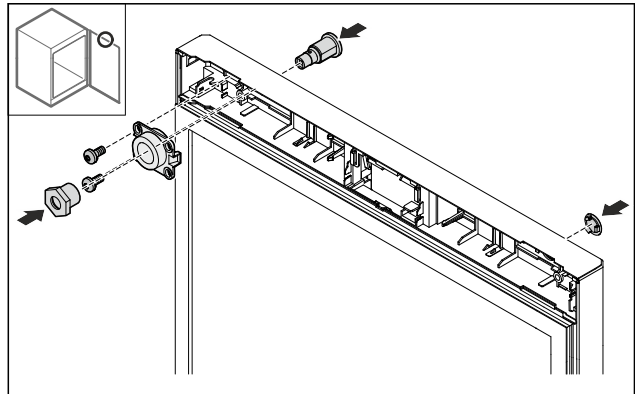


Fig. 27 Example illustration: Glass door

- ▶ Fit cover on the opposite side.
- ▶ Foamed door: Turn the lock 180° and fit it on the opposite side.
- or-
- ▶ Glass door: Turn the lock and holder and fit it on the opposite side.

## 11.12 Putting on the cover

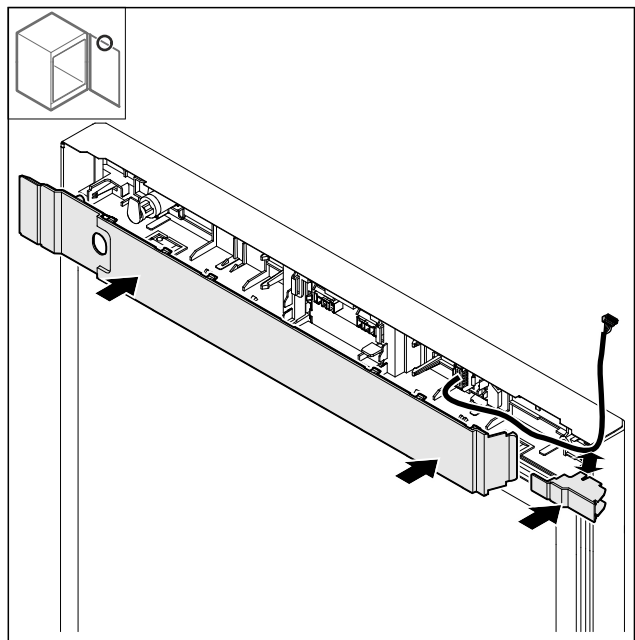


Fig. 28

- ▶ Fit the covers rotated by 180°. Ensure that the cable runs through the top opening on the small cover.

# Replacing the door hinge

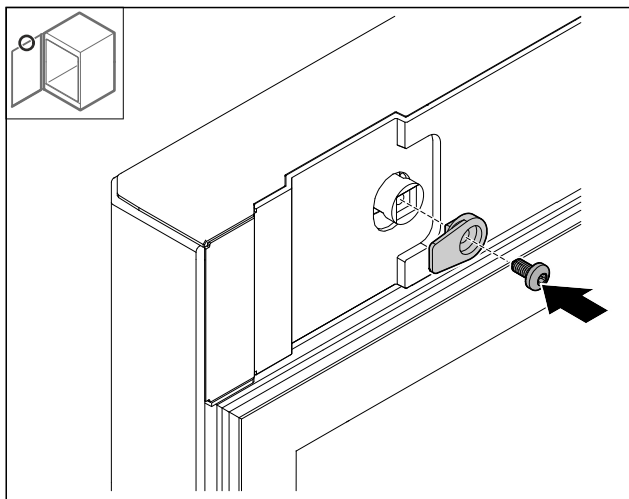


Fig. 29

- Fit the locking hook.

## 11.13 Converting the top hinge

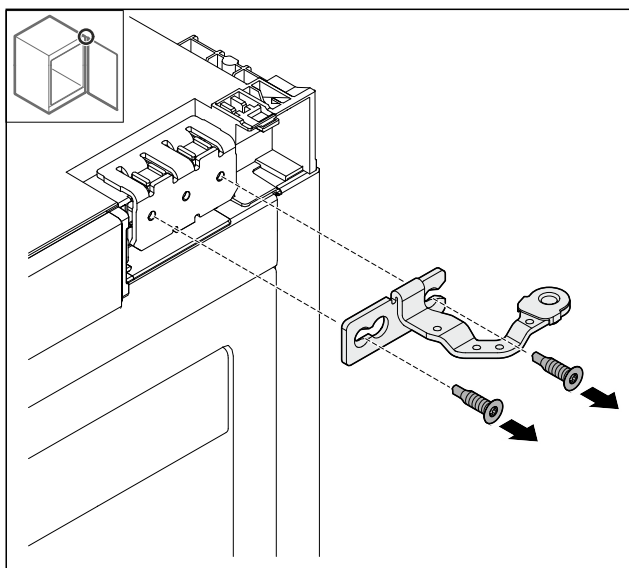


Fig. 30

- Detach the hinge.

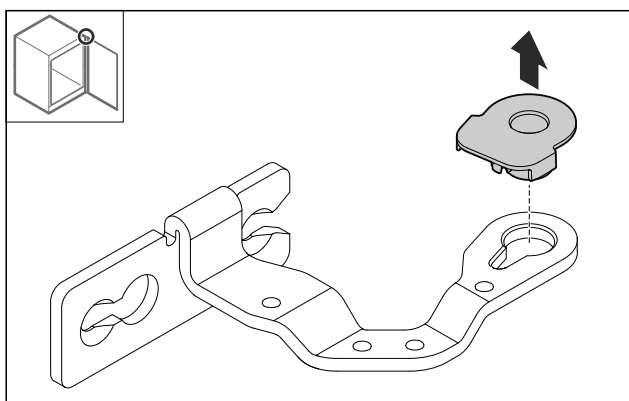


Fig. 31

- Press out the bearing socket.

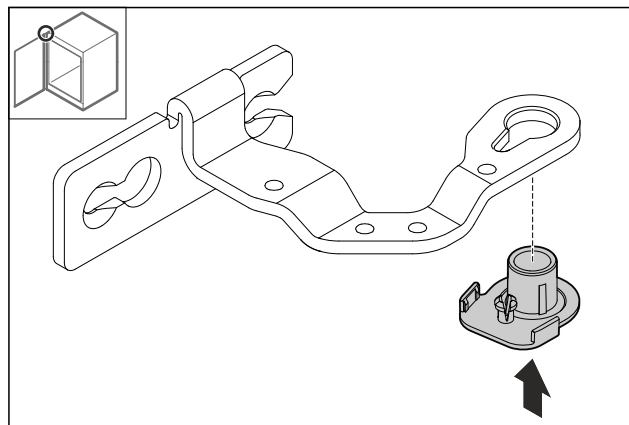


Fig. 32

- Turn the bearing socket by 180° and press it into the underside.

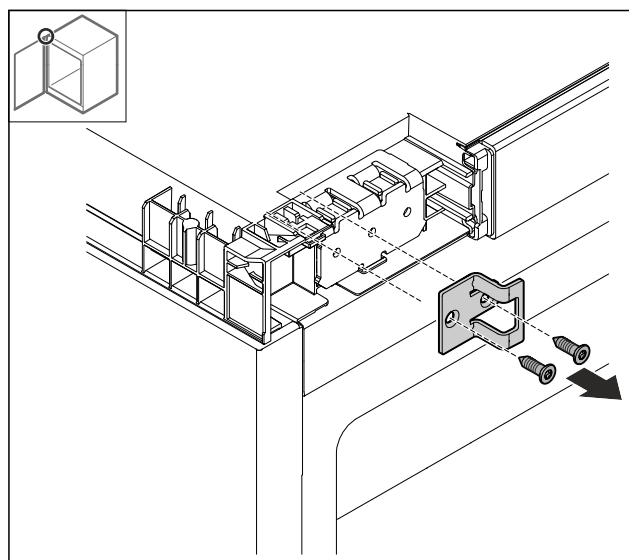


Fig. 33

- Detach the locking bracket.

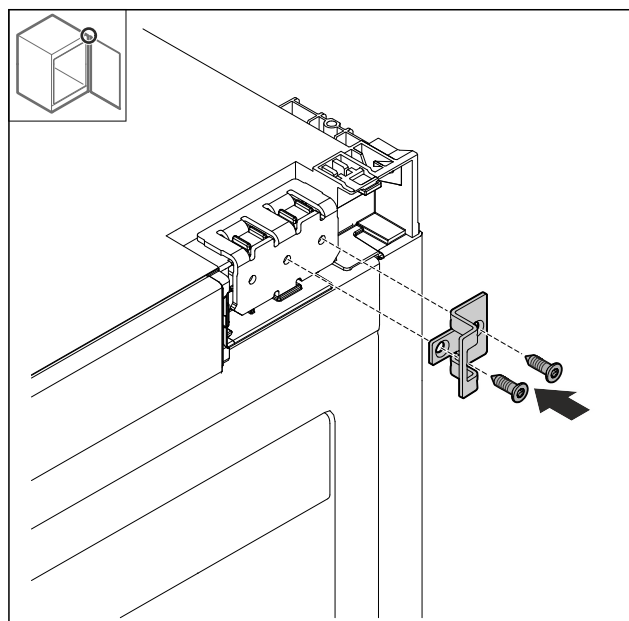


Fig. 34

- Turn the locking bracket 180° and fit it on the opposite side.

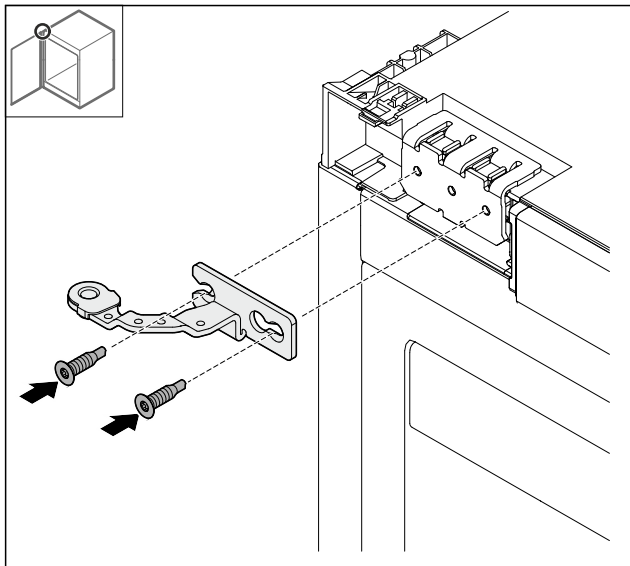


Fig. 35

- ▶ Attach the hinge.

## 11.14 Converting the bottom hinge

### NOTICE

Danger of injury due to tensioned spring!

- ▶ Do not dismantle the screw connection Fig. 36 (1) on the locking system.

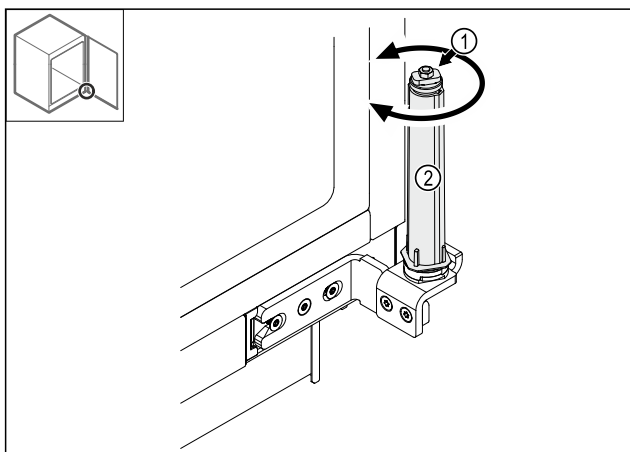


Fig. 36

- ▶ Turn the locking system Fig. 36 (2) until it clicks.
- ▶ The locking system pre-tension is released.

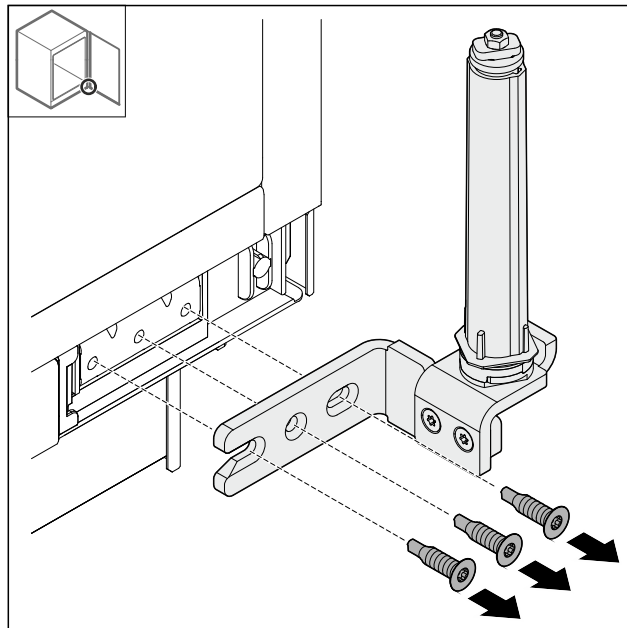


Fig. 37

- ▶ Detach the hinge bracket.

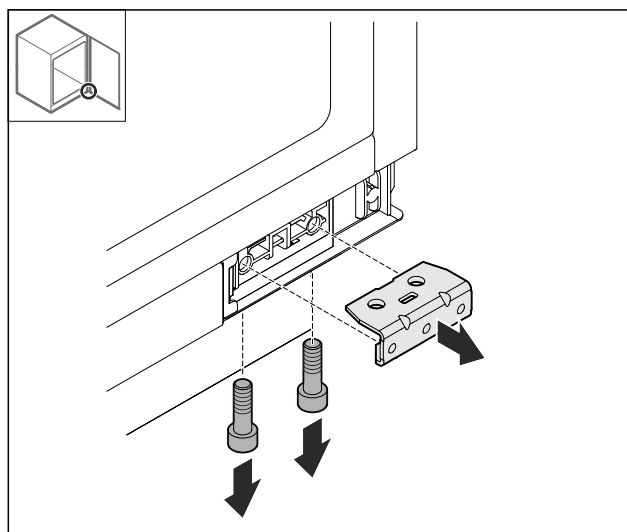
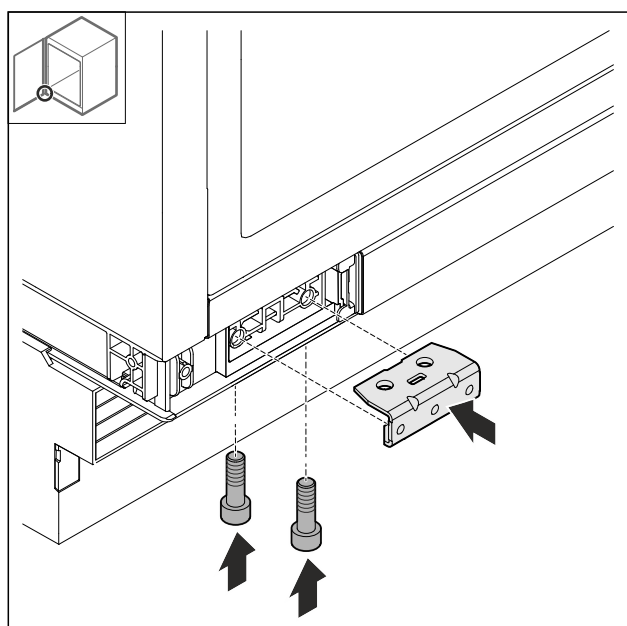


Fig. 38

- ▶ Detach the bracket Fig. 38 (2).



# Replacing the door hinge

Fig. 39

- Fit the bracket.

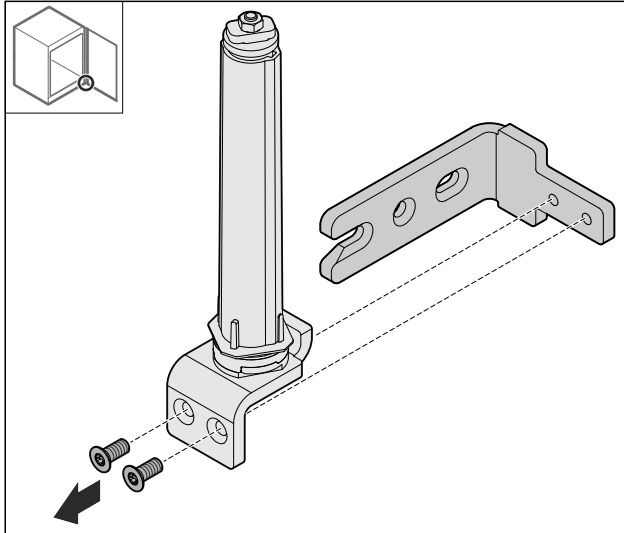


Fig. 40

- Detach the bracket.

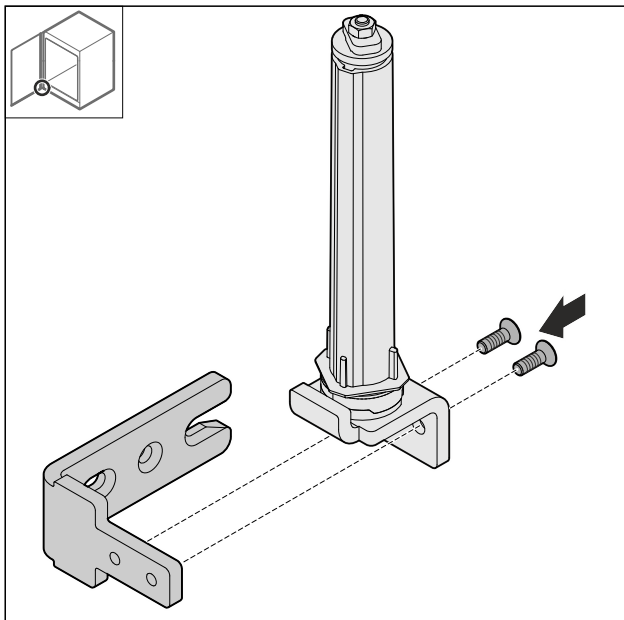


Fig. 41

- Fit the bracket.

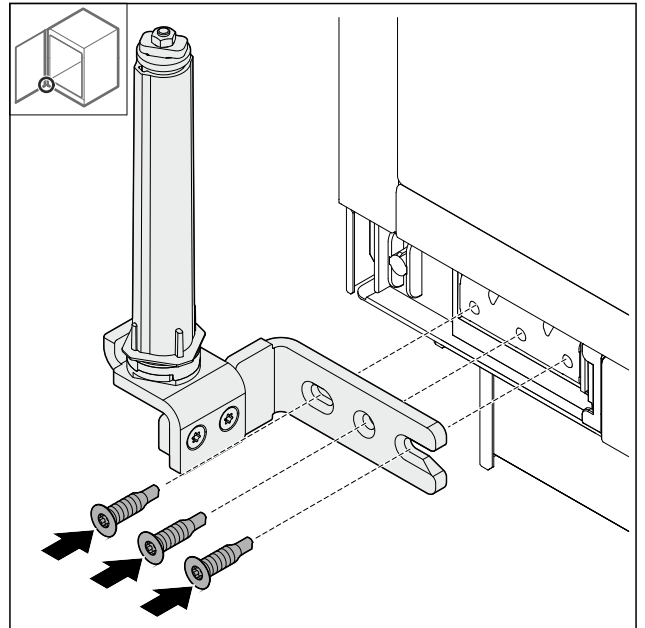


Fig. 42

- Attach the hinge bracket on the opposite side.

**Note**

Correct alignment and pre-tension are important for the locking system functions.

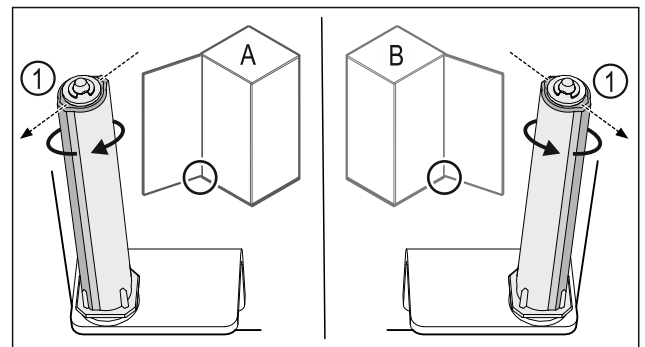


Fig. 43 Left stop (A) / right stop (B)

- Turn the locking system against the resistance until the bar on the locking system Fig. 43 (1) is pointing outwards.
- The locking system remains in this position automatically.
- The locking system is aligned and pre-tensioned.

## 11.15 Fitting the door

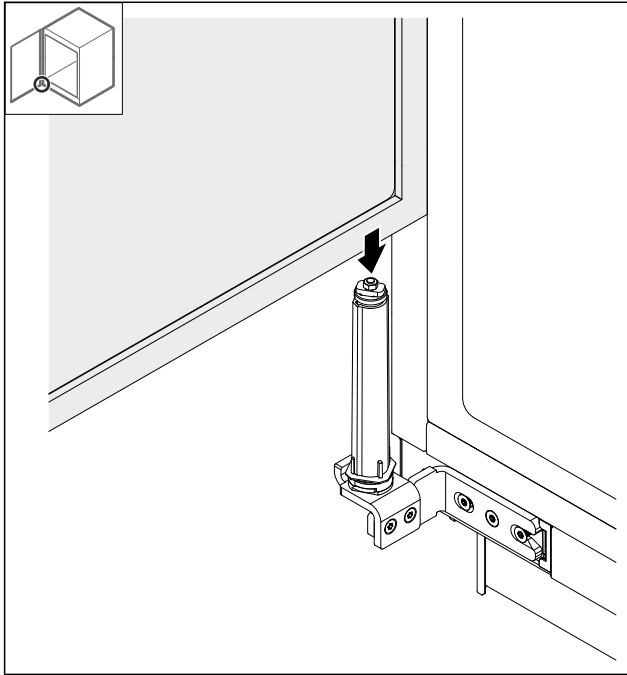


Fig. 44

- ▶ Place the door on the locking system.

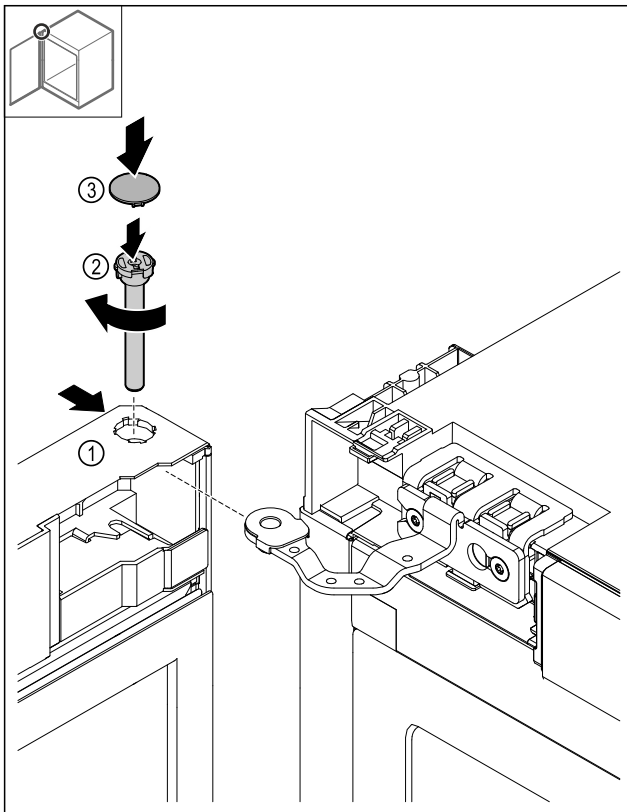


Fig. 45

- ▶ Slide the door Fig. 45 (1) onto the top hinge.
- ▶ Insert the bolt Fig. 45 (2) and turn it clockwise to tighten.
- ▶ Put on the cover Fig. 45 (4).

## 11.16 Putting on the front panel

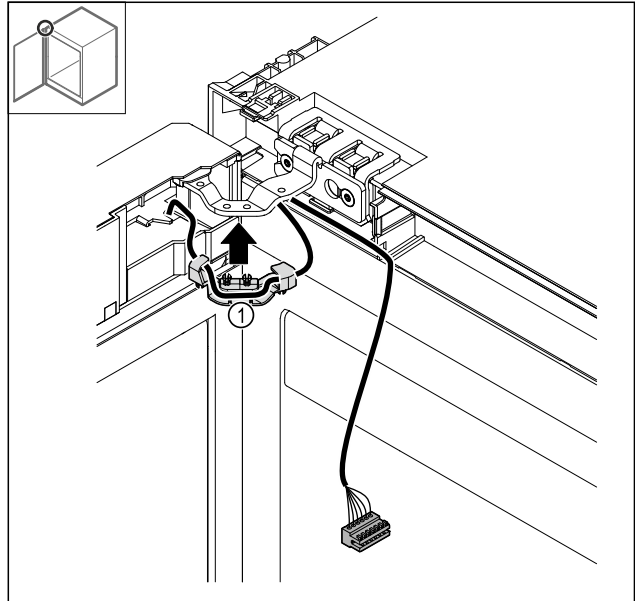


Fig. 46

- ▶ Push the cable holder Fig. 46 (1) into the hinge.
- ▶ Lay the cable in the hinge towards the front panel.

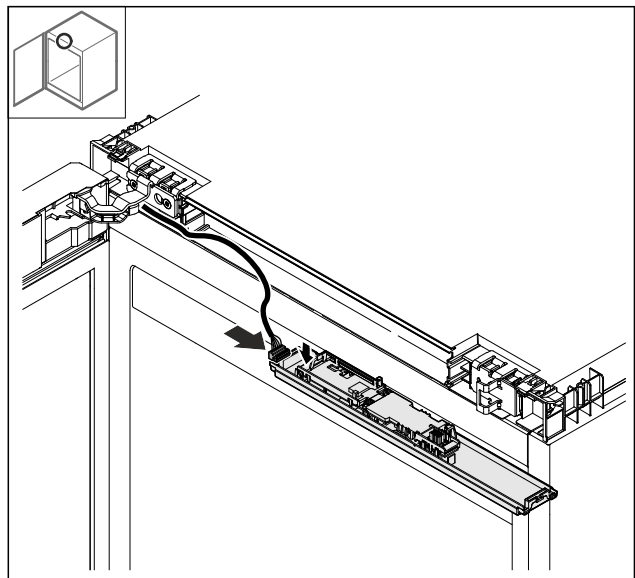


Fig. 47

- ▶ Plug in the plug.

## Aligning the door

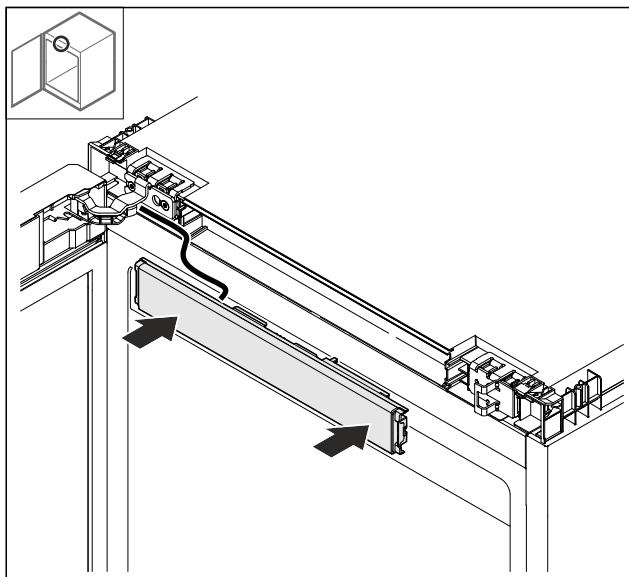


Fig. 48

- Put on the front panel.

### 11.17 Putting on the covers

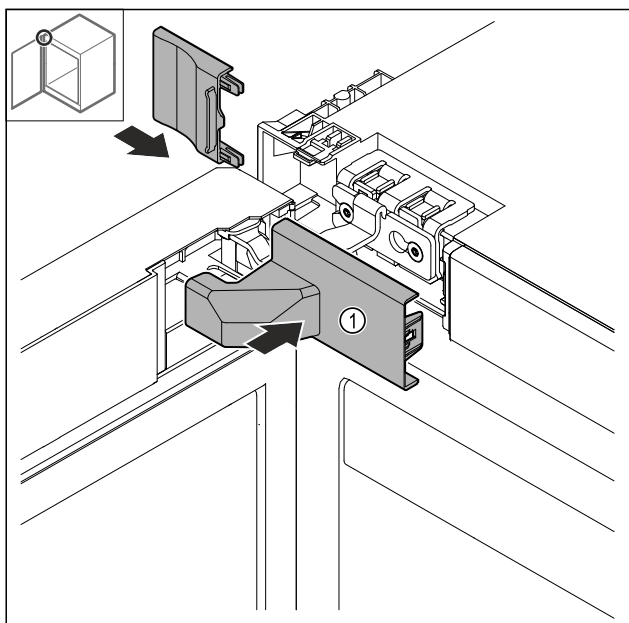


Fig. 49

- (1) The cover is supplied as standard with the appliance.
- Put on the covers.

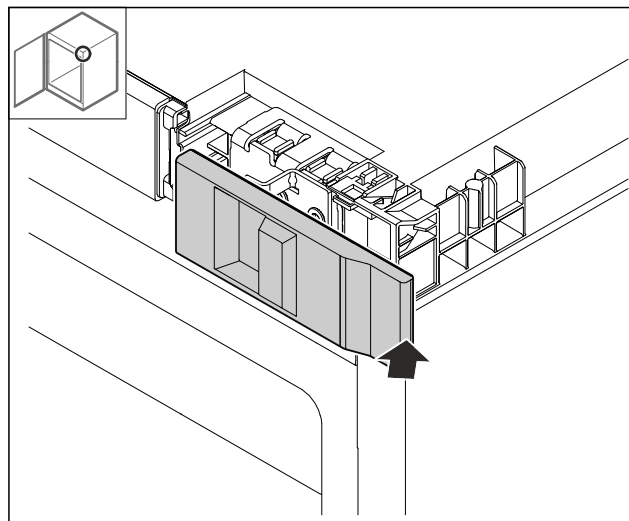


Fig. 50

- Put on the cover.

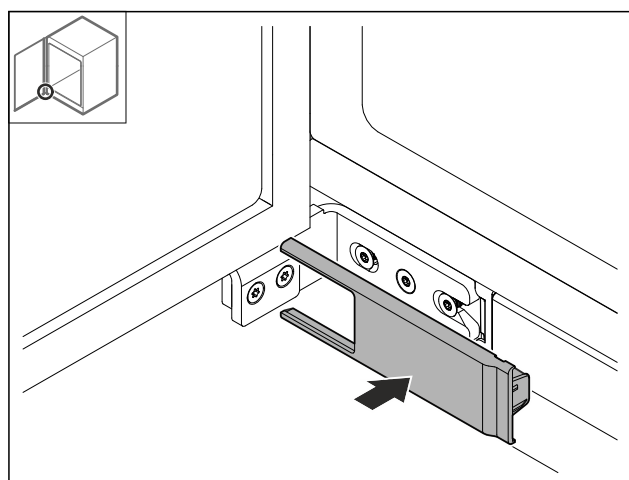
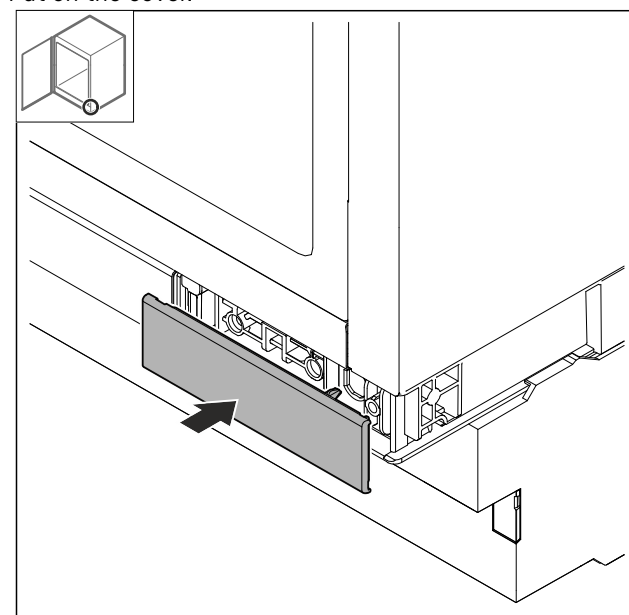


Fig. 51

- Put on the cover.



- Put on the cover.

## 12 Aligning the door

If the door is not straight, it can be aligned at the lower hinge bracket.

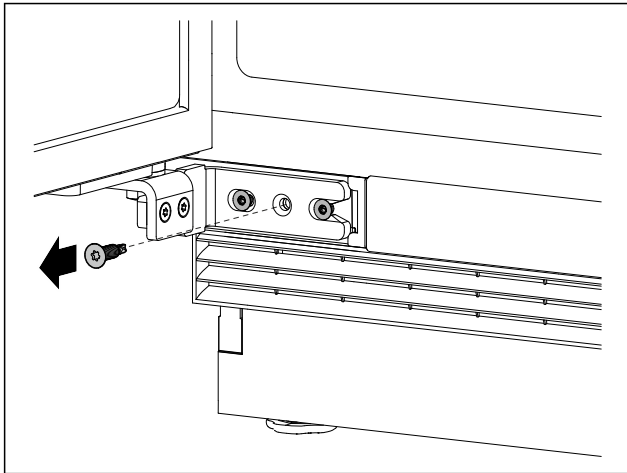


Fig. 52 Example illustration

- ▶ Remove the centre screw on the lower hinge bracket.

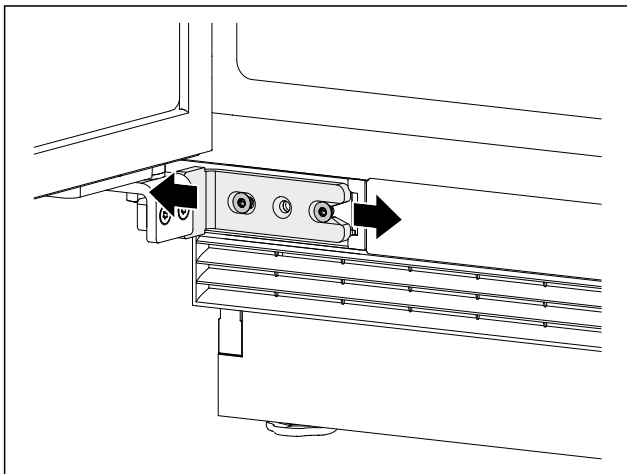


Fig. 53 Example illustration

- ▶ Loosen both screws slightly.
- ▶ Move the door to the right or left with the hinge bracket.
- ▶ Tighten the screws as far as they will go (the centre screw is no longer required).
- ▶ The door is aligned.

## 13 Recessed installation

### 13.1 Tool

Make sure that the following tools are to hand:

- Torx® 20
- Slotted screwdriver
- Measuring tape
- Pencil
- Cord
- Spirit level

Before installing the appliance in the niche, note the fixing method:	
Lateral fixing	Ceiling mounting
Substructure under a hard worktop such as granite	No granite slab
The appliance is lower than the worktop when the adjustable feet are fully extended.	Appliance sits slightly braced under worktop when adjustable feet are fully extended.

Before installing the appliance in the niche, note the fixing method:

Lateral fixing	Ceiling mounting
Appliance side panel available for screwing.	

### 13.2 Preparing the appliance

Before installing the appliance in a niche, make sure that the following requirements are met:

- The door hinge has been hung. You can only change the door hinge from the outside of the niche because you need enough space to do so.
- Accessories are installed (e.g. product sensors).
- ▶ Plug the mains cable's IEC socket completely into the appliance plug on the back of the appliance.
- ▶ Ensure that the IEC socket is tight.
- ▶ Use a cord to lay the mains plug to a freely accessible socket.

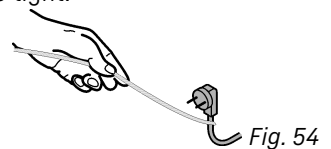


Fig. 54

#### NOTICE

Risk of damage if the appliance is moved!

If you move the appliance, you may damage the floor or the appliance's adjustable feet may break off.

Before moving:

- ▶ Screw in the levelling feet completely.
- ▶ Place a cardboard strip (e.g. packaging) with approx. 100 mm x 600 mm under each of the adjustable feet.

When moving:

- ▶ Move the appliance carefully.
- ▶ For uneven floors: Carefully lift the appliance.

After moving:

- ▶ Remove the cardboard strips.

### 13.3 Screwing the appliance to the ceiling

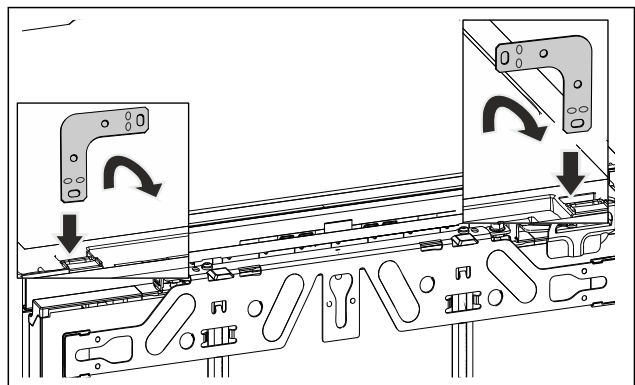


Fig. 55 Example illustration

- ▶ Insert the bracket into the opening in the unit ceiling and bend it forwards.



#### WARNING

Risk of fire due to short circuit!

- ▶ When you push the appliance into the niche: do not kink, jam or damage the mains cable.
- ▶ The appliance must not be operated with a defective mains cable.

## Recessed installation

- ▶ Slide the appliance into the recess and align, see point (see 13.5 Aligning the appliance).

### 13.4 Fixing the appliance on the side

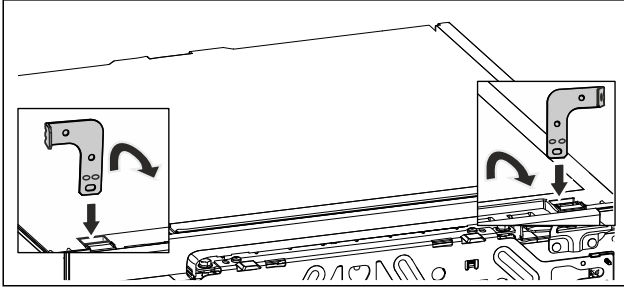


Fig. 56 Example illustration

- ▶ Bend one end of each bracket before installation. Insert the straight side into the opening in the appliance cover and bend it forwards.



#### WARNING

Risk of fire due to short circuit!

- ▶ When you push the appliance into the niche: do not kink, jam or damage the mains cable.
- ▶ The appliance must not be operated with a defective mains cable.

- ▶ Slide the appliance into the recess and align, see point (see 13.5 Aligning the appliance).

### 13.5 Aligning the appliance

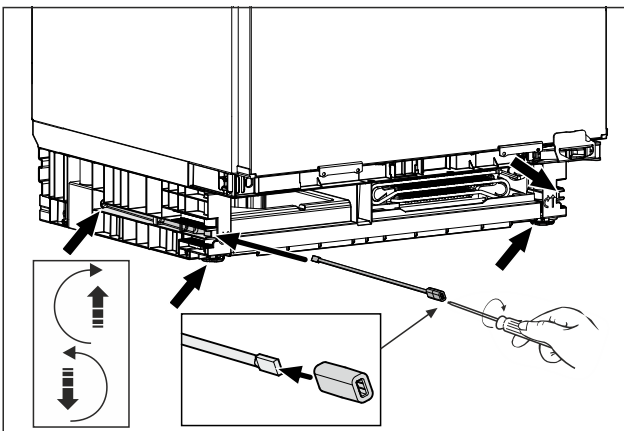


Fig. 57 Example illustration

- ▶ Unscrew the levelling feet to below the worktop.
- ▶ Align the appliance in an upright position using a spirit level.

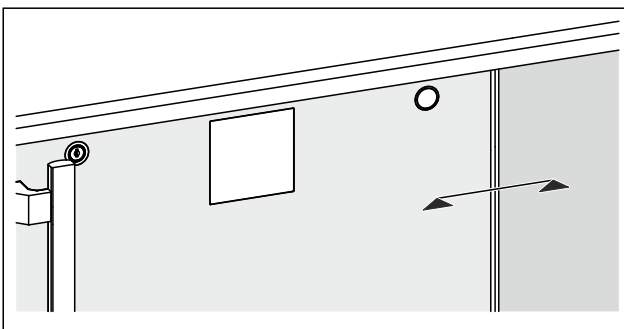


Fig. 58

- ▶ Align the front to the neighbouring units.
- ▶ Unscrew the levelling feet alternately to the maximum. The maximum adjustment travel is 60 mm.

- ▶ Appliance is aligned upright
- ▶ The appliance is slightly braced in the recess between the floor and worktop.

### 13.6 Fitting the base

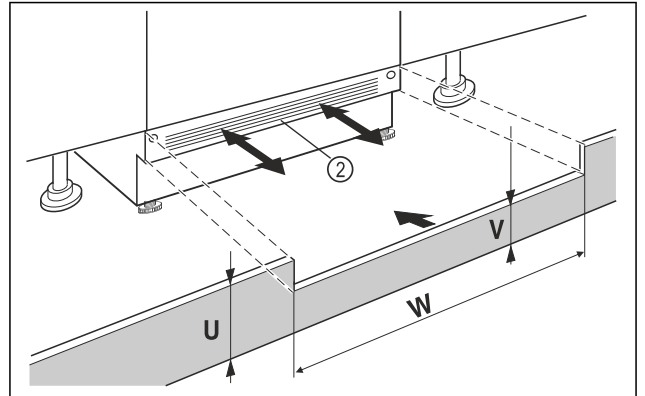


Fig. 59 Example illustration

- ▶ Put on the appliance base cover Fig. 59 (2) but do not fix it in place yet.
- ▶ Position the unit door and unit base panel for testing
- ▶ If the base panel is visible Fig. 59 (2), pull it forwards so that the front edge of the ventilation grille and the unit base panel are level.

-or-

- ▶ If the base panel is concealed Fig. 59 (2), push it all the way back.
- ▶ Ensure that the ventilation slots are completely free: If necessary, cut the height of the unit base panel Fig. 59 (U) to size!
- ▶ Adjust the web height Fig. 59 (V) under the appliance base panel Fig. 59 (2) along the niche width Fig. 59 (W).

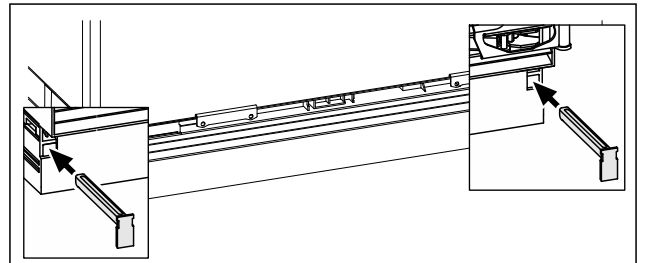


Fig. 60 Example illustration

- ▶ Fix the appliance base panel: Insert the latch while holding the appliance base panel.
- ▶ Fasten the unit base panel.

### 13.7 Screwing the appliance into the niche

Ceiling mounting:

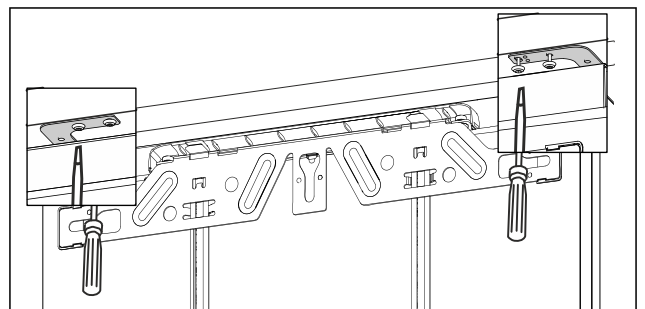


Fig. 61 Example illustration

- ▶ For mounting under the worktop, screw on the mounting brackets with two screws each underneath the worktop.

## Lateral fixing:

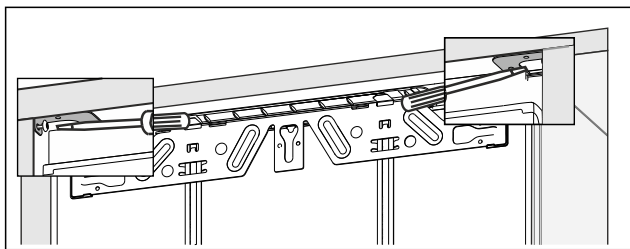
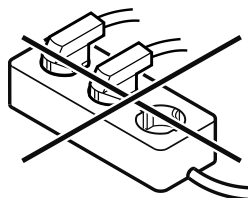


Fig. 62 Example illustration

- ▶ For side mounting, screw the mounting bracket into the niche with one screw on the right and one on the left.
- ▶ Start on the hinge side.



## NOTICE

Danger of damage to incorrect connection!

Damage to the appliance.

- ▶ Do not connect the appliance to a stand-alone inverter, e.g. solar power systems and petrol generators.

## 14 Connecting the appliance to the power supply



### WARNING

Danger of electric shock and injury due to damaged appliance or damaged mains cable!

Danger of cuts and fatal injuries. If the appliance or the mains cable is damaged during transport, you may be electrocuted. You could also cut yourself on damaged parts of the appliance housing.

- ▶ Check the appliance and the mains cable for damage after transport.
- ▶ Never put the appliance into operation if the appliance or the mains cable are damaged.
- ▶ Contact Customer Service.

You can connect your appliance to the mains using the power cable supplied separately. The mains power cable has an appliance coupler at one end and a mains plug at the other end.

Make sure that the following requirements are fulfilled:

- The appliance and power cable are undamaged.
- The appliance is installed in accordance with the regulations. (see 13 Recessed installation)
- Requirements for the electrical connection are met. (see 1 Installation conditions)
- Dimensions for connection in accordance with regulations are known and observed.
- Mains voltage and frequency correspond to the specifications on the type plate.
- The socket is earthed according to the regulations and fused.
- The fuse tripping current is between 10 A and 16 A.

## NOTICE

Danger of damage to incorrect operation!

Damage to the electrical components of the appliance.

- ▶ Only use the supplied mains cable.



### WARNING

Danger of fire due to incorrect connection!

Burns.

Damage to the appliance.

- ▶ Do not use an extension cable.
- ▶ Do not use distributor blocks.



[home.liebherr.com/fridge-manuals](https://home.liebherr.com/fridge-manuals)

**EN** base unit fridges and freezers

Issue date: 20250623

**Part number index: 7088594-00**

Liebherr Hausgeräte Lienz GmbH  
Dr.-Hans-Liebherr-Strasse 1  
A-9900 Lienz  
Österreich