



45 USt



115 ft



125 ft



144 ft

More lifting capacity on two axles

LTM 1040-2.1

Mobile crane
Grue mobile

LIEBHERR

Mobile and crawler cranes



Technical data

Caractéristiques technique

Dimensions

Encombrement 3

Mobile crane

Grue mobile 4-5

Counterweight

Contrepoids 6

On-road driving

Déplacement sur route 6

Crane data

Dates de la grue 7

T 8-11

TK 12-14

Equipment

Équipement 15-16

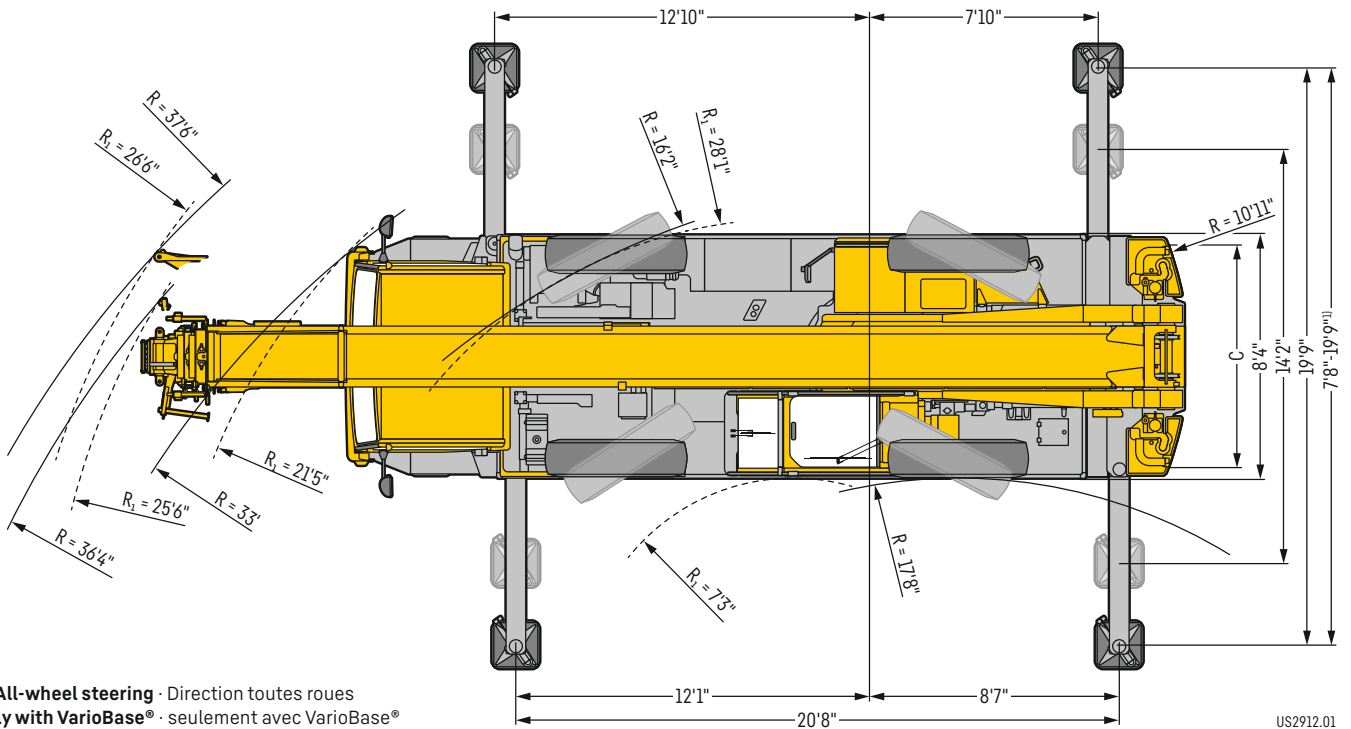
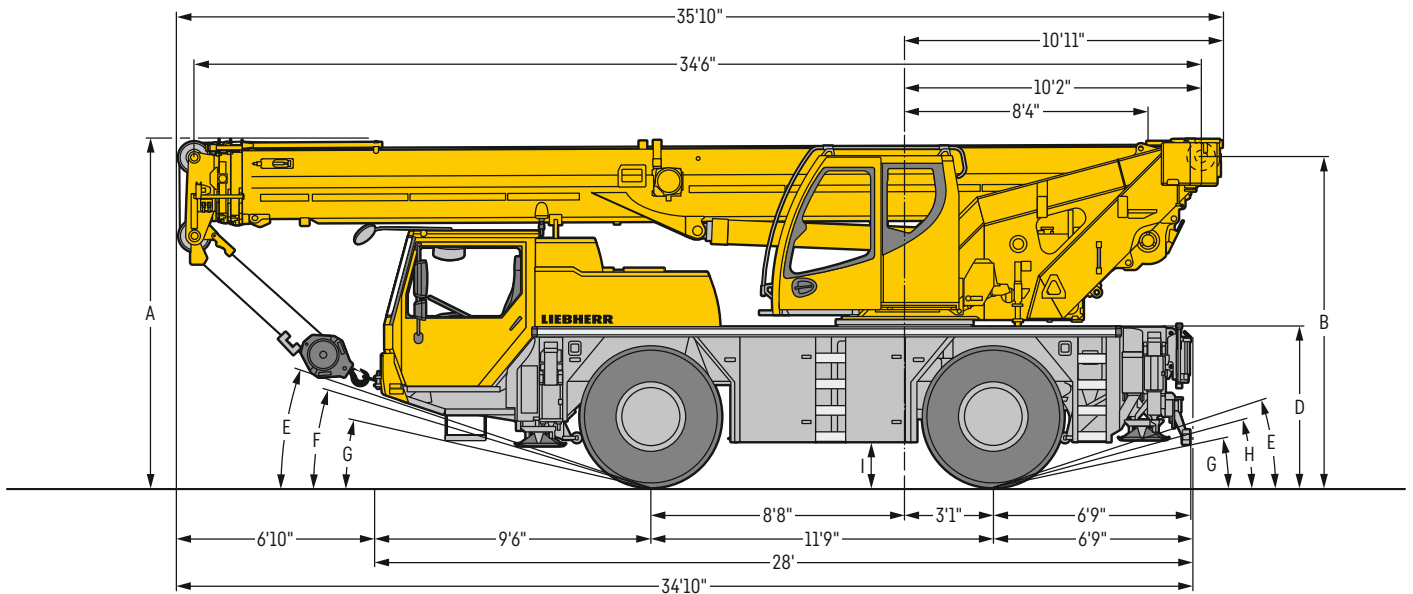
Description of symbols

Explication des symboles 17

Remarks

Remarques 18

Dimensions Encombrement



R₁ = All-wheel steering · Direction toutes roues
¹⁾ only with VarioBase® · seulement avec VarioBase®

US2912.01

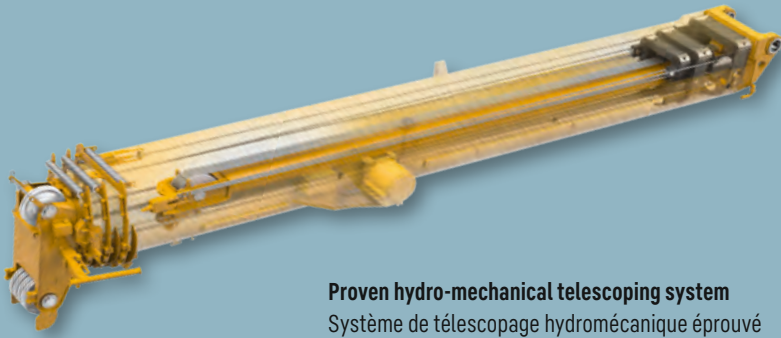
Dimensions · Encombrement

	A	A 4**	B	C	D	E	F	G	H	I
445/95 R 25 (16.00 R 25)	11'10"	11'6"	11'3"	6'11"	5'5"	19°	17°	12°	15°	1'5"

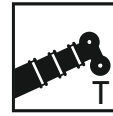
* lowered · abaissé

LTM 1040-2.1

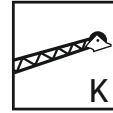




Proven hydro-mechanical telescoping system
 Système de télescopage hydromécanique éprouvé



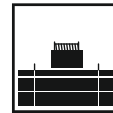
115 ft



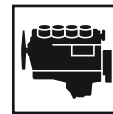
31 ft



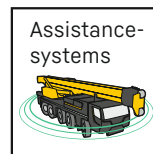
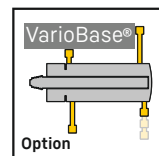
8 ft 4 in



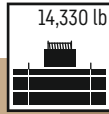
14,330 lb



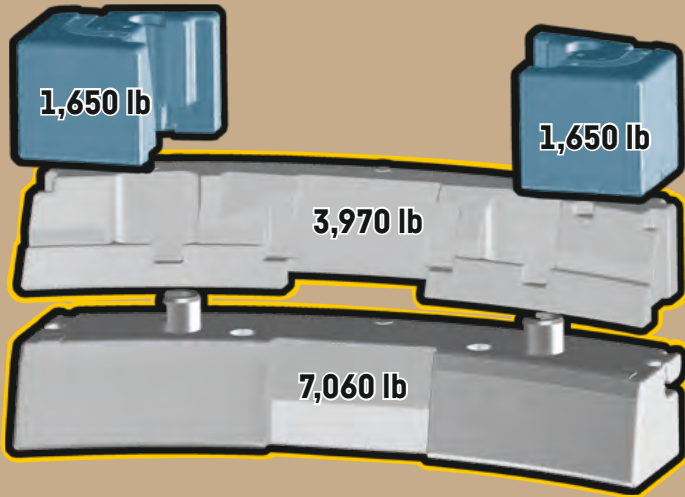
209 kW (280 h.p.)



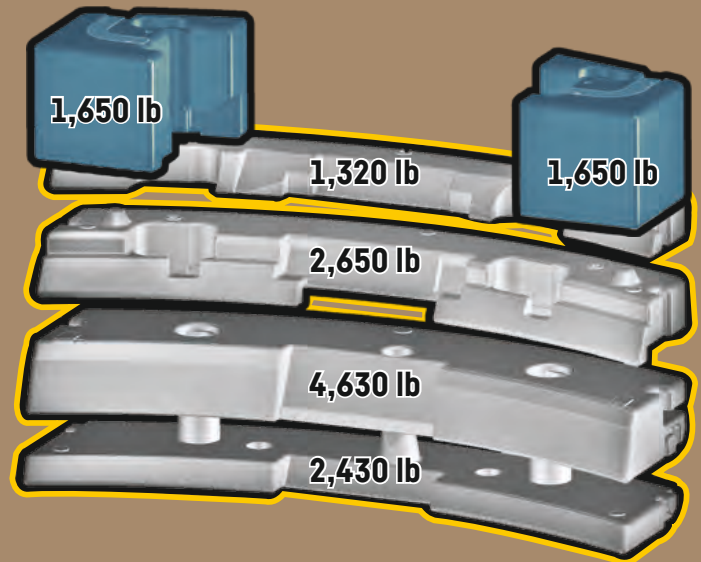
Counterweight Contrepoids




Counterweight Version 1 Contrepoids Variante 1




Counterweight Version 2 Contrepoids Variante 2

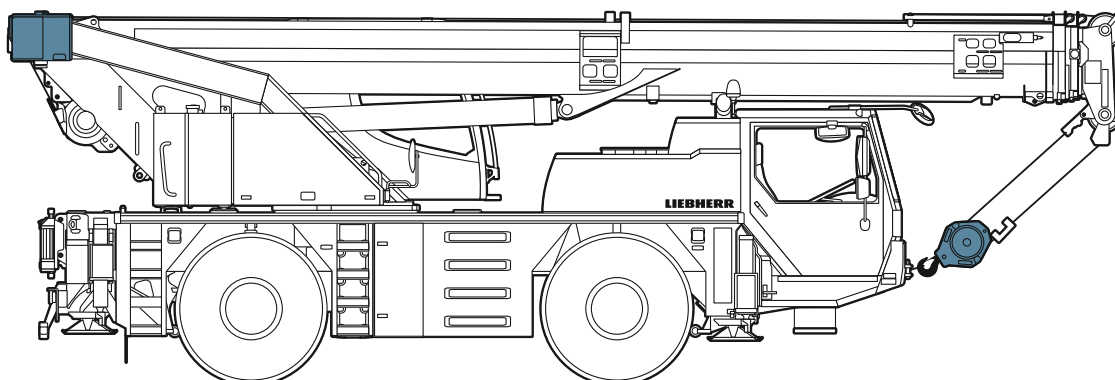


 26,450 lb axle load
26,450 lb de charge par essieu

 Technically transportable
Transport techniquement simplifié

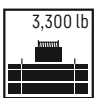
 Additional counterweight
Contrepoids additionnel

On-road driving Déplacement sur route



≤ 26,450 lb

≤ 26,450 lb


3,300 lb
≤ 52,900 lb





US3003.02

Crane data

Dates de la grue








Hook block Moufles à crochet

			
76,950 lb	5	11	585 lb
50,250 lb	3	7	365 lb
22,250 lb	1	3	320 lb
7,500 lb	-	1	165 lb






Crane carrier Châssis porteur

				
445/95 R 25 (16.00 R 25)	0 - 2.5	53	60%	6 / R2

Theoretical gradeability - aptitude théorique en pente











Max. supporting forces Forces d'appui max.

		
F _{max}	57,000 lb	70,000 lb



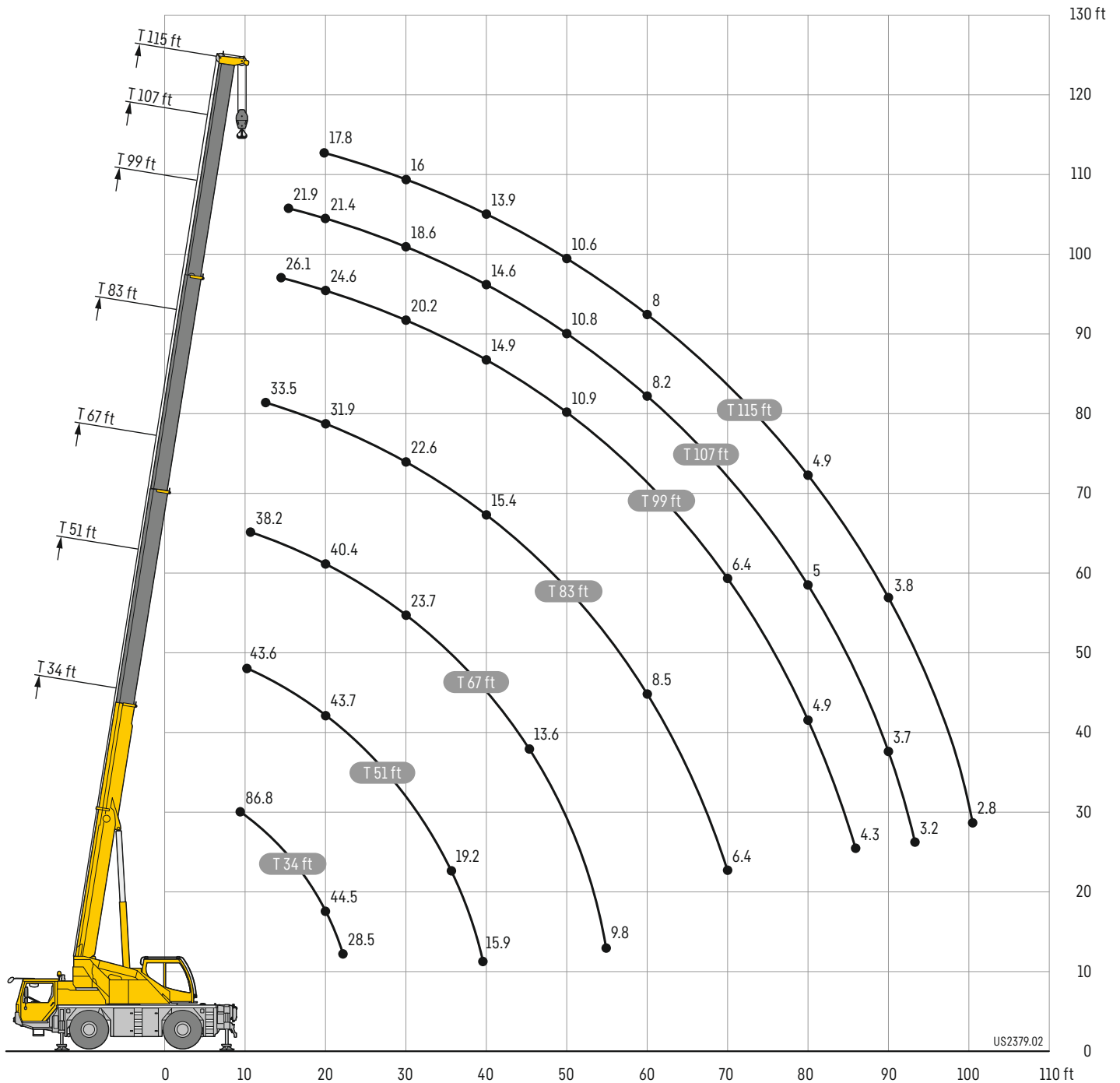
Crane superstructure Partie tournante

				
0 - 394 ft/min single line - au brin simple	max	13 mm	541 ft	7,640 lb
	0 - 2.4 rpm			
	approx. 45 seconds to reach 81° boom angle env. 45 s jusqu'à 81°			
	approx. 75 seconds for boom extension from 34 ft - 115 ft env. 75 s pour passer de 34 ft - 115 ft			

Lifting heights

Hauteurs de levage

T



US2379.02

Lifting capacities

Forces de levage

T



	34 ft		51 ft		67 ft		83 ft		99 ft		107 ft		115 ft		
	*			**		**		**		**		**		**	
9	86.8														9
10	79	74.9	43.6	34											10
11	75.5	70.3	44.2	34	38.2	28.9									11
12	70.9	66.2	44.8	34	39.1	28.8									12
13	66.2	62.6	45.4	34	39.5	28.7	33.5	23							13
14	61.8	59.2	46.1	34	40	28.6	33.9	22.8	26.1	16.7					14
15	57.9	56.3	46.8	34	40.6	28.6	34.3	22.7	25.9	16.5					15
16	54.9	53.6	47.6	34	41.1	28.4	34.5	22.5	25.7	16.4	21.9	12.4			16
17	52.1	51.1	48.5	34	41.7	28.2	34.2	22.4	25.5	16.2	21.8	12.2			17
18	49.6	48.7	48.3	34	41.9	27.9	33.5	22.3	25.3	16.1	21.6	12.1			18
19	47	46.5	46.9	34	42	27.6	32.7	22.2	25	15.9	21.5	11.9			19
20	44.5	44.2	43.7	34	40.4	27.4	31.9	22.1	24.6	15.8	21.4	11.8	17.8	8.1	20
22	38.5	38.5	38.3	34	35.6	27.4	30.6	21.9	23.7	15.5	21	11.5	17.6	7.8	22
24	28.5	28.5	28.5	34	31.8	27.3	29.1	21.7	22.7	15.2	20.4	11.2	17.3	7.6	24
26			30.5	30.5	28.6	27.2	27.1	21.4	21.8	14.9	19.8	11	16.9	7.3	26
28			27.6	27.6	26	26	24.7	20.8	21	14.7	19.2	10.7	16.4	6.6	28
30			25.1	25.1	23.7	23.7	22.6	20.3	20.2	14.2	18.6	10.5	16	6	30
32			23	23	21.7	21.7	20.8	19.9	19.5	13.4	18.1	10.3	15.6	5.8	32
34			21.1	21.1	20	20	19.2	19.2	18.3	13.1	17.5	10	15.1	5.6	34
36			19.2	19.2	18.5	18.5	17.7	17.7	17.1	12.8	16.8	9.8	14.7	5.5	36
38			17.6	17.6	17.3	17.3	16.5	16.5	15.9	12.7	15.7	9.6	14.4	5.3	38
40			15.9	15.9	16	16	15.4	15.4	14.9	12.5	14.6	9.4	13.9	5.2	40
45					13.6	13.6	13.1	13.1	12.6	12.1	12.5	9	12.3	4.8	45
50					11.5	11.5	11.3	11.3	10.9	10.9	10.8	8.6	10.6	4.5	50
55					9.8	9.8	9.8	9.8	9.4	9.4	9.3	8.3	9.2	4.2	55
60							8.5	8.5	8.3	8.3	8.2	8	8	3.9	60
65							7.4	7.4	7.3	7.3	7.2	7.2	7.1	3.2	65
70							6.4	6.4	6.4	6.4	6.4	6.4	6.2	2.6	70
75									5.6	5.6	5.6	5.6	5.5	2.1	75
80									4.9	4.9	4.9	4.9	4.9	1.7	80
85									4.3	4.3	4.3	4.3	4.3		85
90											3.7	3.7	3.8		90
95											3.2	3	3.3		95
100													2.8		100

* over rear - en arrière ** telescopic loads - capacités de levage en télescopage

t_196_00227_00_000 / 00181_00_000



	34 ft		51 ft		67 ft		83 ft		99 ft		107 ft		115 ft		
				**		**		**		**		**		**	
10	73.8	43.6	34												10
11	69.3	44.2	34	38.2	28.9										11
12	65.3	44.8	34	39.1	28.8										12
13	61.7	45.4	34	39.5	28.7	33.5	23								13
14	58.4	46.1	34	40	28.6	33.9	22.8	26.1	16.7						14
15	55.5	46.8	34	40.6	28.6	34.3	22.7	25.9	16.5						15
16	52.8	47.3	34	40.6	28.4	34.5	22.5	25.7	16.4	21.9	12.4				16
17	49.7	44.9	34	40.5	28.2	34.2	22.4	25.5	16.2	21.8	12.2				17
18	46.1	42	34	38.4	27.9	33.4	22.3	25.3	16.1	21.6	12.1				18
19	42.9	38.7	34	35.7	27.6	32.7	22.2	25	15.9	21.5	11.9				19
20	39.8	36	34	33.3	27.4	31	22.1	24.6	15.8	21.4	11.8	17.8	8.1		20
22	34.6	31.5	31.5	29.3	27.2	27.5	21.9	23.7	15.5	21	11.5	17.6	7.8		22
24	28.4	27.8	27.8	26	26	24.6	21.7	22.7	15.2	20.4	11.2	17.3	7.6		24
26		24.9	24.9	23.3	23.3	22.1	21.4	20.9	14.9	19.8	11	16.9	7.3		26
28		22.4	22.4	21.1	21.1	20	19.9	19.1	14.7	18.7	10.7	16.4	6.6		28
30		20.3	20.3	19.2	19.2	18.3	18.3	17.4	14.2	17.1	10.5	16	6		30
32		18.6	18.6	17.5	17.5	16.8	16.8	16	13.4	15.7	10.3	15.4	5.8		32
34		17	17	16.1	16.1	15.4	15.4	14.8	13.1	14.5	10	14.2	5.6		34
36		15.5	15.5	14.8	14.8	14.2	14.2	13.6	12.8	13.4	9.8	13.1	5.5		36
38		14.1	14.1	13.7	13.7	13.1	13.1	12.6	12.5	12.5	9.6	12.2	5.3		38
40		12.9	12.9	12.7	12.7	12.2	12.2	11.7	11.7	11.6	9.4	11.3	5.2		40
45				10.6	10.6	10.1	10.1	9.8	9.8	9.7	9	9.5	4.8		45
50				8.9	8.9	8.6	8.6	8.3	8.3	8.2	8.2	8	4.5		50
55				7.4	7.4	7.3	7.3	7	7	7	7	6.8	4.2		55
60						6.3	6.3	6	6	5.9	5.9	5.8	3.9		60
65						5.3	5.3	5.2	5.2	5.1	5.1	5	3.2		65
70						4.4	4.4	4.5	4.5	4.4	4.4	4.3	2.6		70
75								3.8	3.8	3.8	3.8	3.7	2.1		75
80								3.2	3.2	3.2	3.2	3.2	1.7		80
85								2.7	2.7	2.7	2.7	2.7			85
90										2.3	2.3	2.3			90
95										1.9	1.9	1.9			95
100												1.5			100

with 4-parted additional counterweight - avec contrepoids additionnel en quatre éléments ** telescopic loads - capacités de levage en télescopage

t_196_00185_00_000

Lifting capacities

Forces de levage

T



	34 ft	51 ft		67 ft		83 ft		99 ft		107 ft		115 ft		
			**		**		**		**		**		**	
10	73.8	43.6	34											10
11	69.3	44.2	34											11
12	65.2	44.8	34	38.2	28.9									12
13	61.6	45.4	34	39.1	28.8									13
14	58.3	46.1	34	39.5	28.7	33.5	23							14
15	55.4	46.8	34	40	28.6	33.9	22.8	26.1	16.7					15
16	52.7	47.3	34	40.6	28.6	34.3	22.7	25.9	16.5					16
17	49.5	47.3	34	40.5	28.4	34.5	22.5	25.7	16.4	21.9	12.4			17
18	46	47.7	34	40.3	28.2	34.2	22.4	25.5	16.2	21.8	12.2			18
19	42.6	41.7	34	38.2	27.9	33.4	22.3	25.3	16.1	21.6	12.1			19
20	39.5	38.5	34	35.4	27.6	32.5	22.2	25	15.9	21.5	11.9			20
22	34.4	35.8	34	33.1	27.4	30.8	22.1	24.6	15.8	21.4	11.8	17.8	8.1	22
24		34.4	31.3	29.1	27.1	27.4	21.9	23.7	15.5	21	11.5	17.6	7.8	24
26	28.3	27.6	27.6	25.8	25.8	24.4	21.7	22.7	15.2	20.4	11.2	17.3	7.6	26
28		24.7	24.7	23.2	23.2	21.9	21.4	20.8	14.9	19.7	11	16.9	7.3	28
30		22.2	22.2	20.9	20.9	19.9	19.8	19	14.7	18.5	10.7	16.4	6.6	30
32		20.2	20.2	19	19	18.2	18.2	17.3	14.2	17	10.5	16	6	32
34		18.4	18.4	17.4	17.4	16.6	16.6	15.9	13.4	15.6	10.3	15.2	5.8	34
36		16.9	16.9	16	16	15.3	15.3	14.7	13.1	14.4	10	14.1	5.6	36
38		15.3	15.3	14.7	14.7	14.1	14.1	13.5	12.8	13.3	9.8	13.1	5.5	38
40		14	14	13.6	13.6	13.1	13.1	12.6	12.4	12.4	9.6	12.1	5.3	40
45		12.8	12.8	12.6	12.6	12.1	12.1	11.7	11.7	11.5	9.4	11.2	5.2	45
50				10.5	10.5	10.1	10.1	9.7	9.7	9.6	9	9.4	4.8	50
55				8.8	8.8	8.5	8.5	8.2	8.2	8.1	8.1	7.9	4.5	55
60				7.3	7.3	7.2	7.2	7	7	6.9	6.9	6.8	4.2	60
65						6.2	6.2	6	6	5.9	5.9	5.8	3.9	65
70						5.2	5.2	5.1	5.1	5.1	5.1	5	3.2	70
75						4.4	4.4	4.4	4.4	4.4	4.4	4.3	2.6	75
80								3.7	3.7	3.7	3.7	3.7	2.1	80
85								3.2	3.2	3.2	3.2	3.1	1.7	85
90								2.6	2.6	2.7	2.7	2.7		90
95										2.2	2.2	2.2		95
100										1.8	1.8	1.8		100

**telescopable loads - capacités de levage en télescopage

t_196_00186_00_000



	34 ft	51 ft		67 ft		83 ft		99 ft		107 ft		115 ft		
			**		**		**		**		**		**	
10	73.2	43.6	34											10
11	68.7	44.2	34											11
12	64.7	44.8	34	38.2	28.9									12
13	61.1	45.4	34	39.1	28.8									13
14	57.8	46.1	34	39.5	28.7	33.5	23							14
15	54.7	46.8	34	40	28.6	33.9	22.8	26.1	16.7					15
16	49.5	47.3	34	40.6	28.6	34.3	22.7	25.9	16.5					16
17	44.9	47.3	34	40.5	28.4	34.5	22.5	25.7	16.4	21.9	12.4			17
18	40.8	40.2	34	40.3	28.2	33.5	22.4	25.5	16.2	21.8	12.2			18
19	37.7	36.9	34	38.2	27.9	31.1	22.3	25.3	16.1	21.6	12.1			19
20	34.9	34	33.7	35.4	27.6	29	22.2	25	15.9	21.5	11.9			20
22	30.3	31.6	31.5	29.3	27.2	27.2	22.1	24.5	15.8	21.4	11.8	17.8	8.1	22
24		27.5	27.5	25.6	25.6	24.1	21.9	22.6	15.5	21	11.5	17.6	7.8	24
26	26	24.3	24.3	22.7	22.7	21.5	21.1	20.2	15.2	19.7	11.2	17.3	7.6	26
28		21.6	21.6	20.3	20.3	19.2	19.2	18.2	14.9	17.8	11	16.8	7.3	28
30		19.4	19.4	18.3	18.3	17.4	17.4	16.6	14.7	16.2	10.7	15.7	6.6	30
32		17.6	17.6	16.6	16.6	15.8	15.8	15	14.2	14.7	10.5	14.3	6	32
34		16	16	15	15	14.3	14.3	13.7	13.4	13.4	10.3	13.1	5.8	34
36		14.5	14.5	13.7	13.7	13.1	13.1	12.5	12.5	12.3	10	12	5.6	36
38		13.3	13.3	12.5	12.5	11.9	11.9	11.5	11.5	11.3	9.8	11	5.5	38
40		12	12	11.5	11.5	11	11	10.6	10.6	10.4	9.6	10.2	5.3	40
45		10.9	10.9	10.5	10.5	10.1	10.1	9.7	9.7	9.6	9.3	9.4	5.2	45
50				8.7	8.7	8.3	8.3	8	8	7.9	7.9	7.8	4.8	50
55				7.2	7.2	6.9	6.9	6.7	6.7	6.6	6.6	6.5	4.5	55
60				5.9	5.9	5.8	5.8	5.6	5.6	5.5	5.5	5.4	4.2	60
65						4.9	4.9	4.7	4.7	4.6	4.6	4.5	3.9	65
70						4.1	4.1	3.9	3.9	3.9	3.9	3.8	3.2	70
75						3.3	3.3	3.3	3.3	3.3	3.3	3.2	2.6	75
80								2.8	2.8	2.8	2.8	2.7	2.1	80
85								2.2	2.2	2.3	2.3	2.2	1.7	85
90								1.8	1.8	1.8	1.8	1.8		90

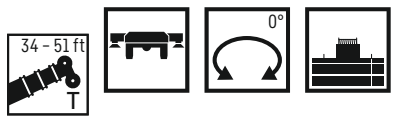
**telescopable loads - capacités de levage en télescopage

t_196_00189_00_000

Lifting capacities – on tyres

Forces de levage – sur pneus

T



34 - 51 ft

14,330 lb
3,300 lb

85%

	34 ft		51 ft		
	14,330 lb	3,300 lb	14,330 lb	3,300 lb	
10	26.6	24.3	27.2	23.3	10
11	24.7	22.5	25.3	21.1	11
12	23	20.9	23.7	19.3	12
13	21.4	19.4	22.1	17.7	13
14	20.1	17.5	20.7	16.3	14
15	18.8	15.8	19.4	15	15
16	17.7	14.3	18.3	13.9	16
17	16.7	12.9	17.3	12.9	17
18	15.7	11.7	16.3	12	18
19	14.8	10.7	15.5	11	19
20	14	9.8	14.6	10.2	20
22	12.6	8.2	13.1	8.8	22
24	11.4	7	11.9	7.6	24
26			10.7	6.5	26
28			9.4	5.7	28
30			8.5	5	30
32			7.6	4.4	32
34			6.8	3.8	34
36			6.2	3.4	36
38			5.6	2.9	38
40			5.1	2.6	40

0° = over rear - en arrière

t_196_00129_00_000 / 00136_00_000



34 - 51 ft

7,300 lb*
7,100 lb
3,300 lb

85%

	34 ft			51 ft			
	7,300 lb	7,100 lb	3,300 lb	7,300 lb	7,100 lb	3,300 lb	
10	18.6	18.4	15			15.9	10
11	16.3	16	12.9			13.8	11
12	14.3	14.1	11.3			12.2	12
13	12.7	12.5	9.9			10.7	13
14	11.3	11.2	8.8			9.6	14
15	10.2	10	7.8			8.6	15
16	9.2	9.1	7			7.7	16
17	8.3	8.2	6.2			6.9	17
18	7.5	7.4	5.5	8.2	8.1	6.3	18
19	6.8	6.7	4.9	7.5	7.4	5.6	19
20	6.2	6	4.3	6.9	6.8	5.1	20
22	5	4.9	3.4	5.8	5.7	4.1	22
24	4.1	4	2.6	4.8	4.7	3.3	24
26				4	4	2.6	26
28				3.3	3.3	1.8	28
30				2.8	2.7		30
32				2.3	2.2		32
34				1.7	1.6		34

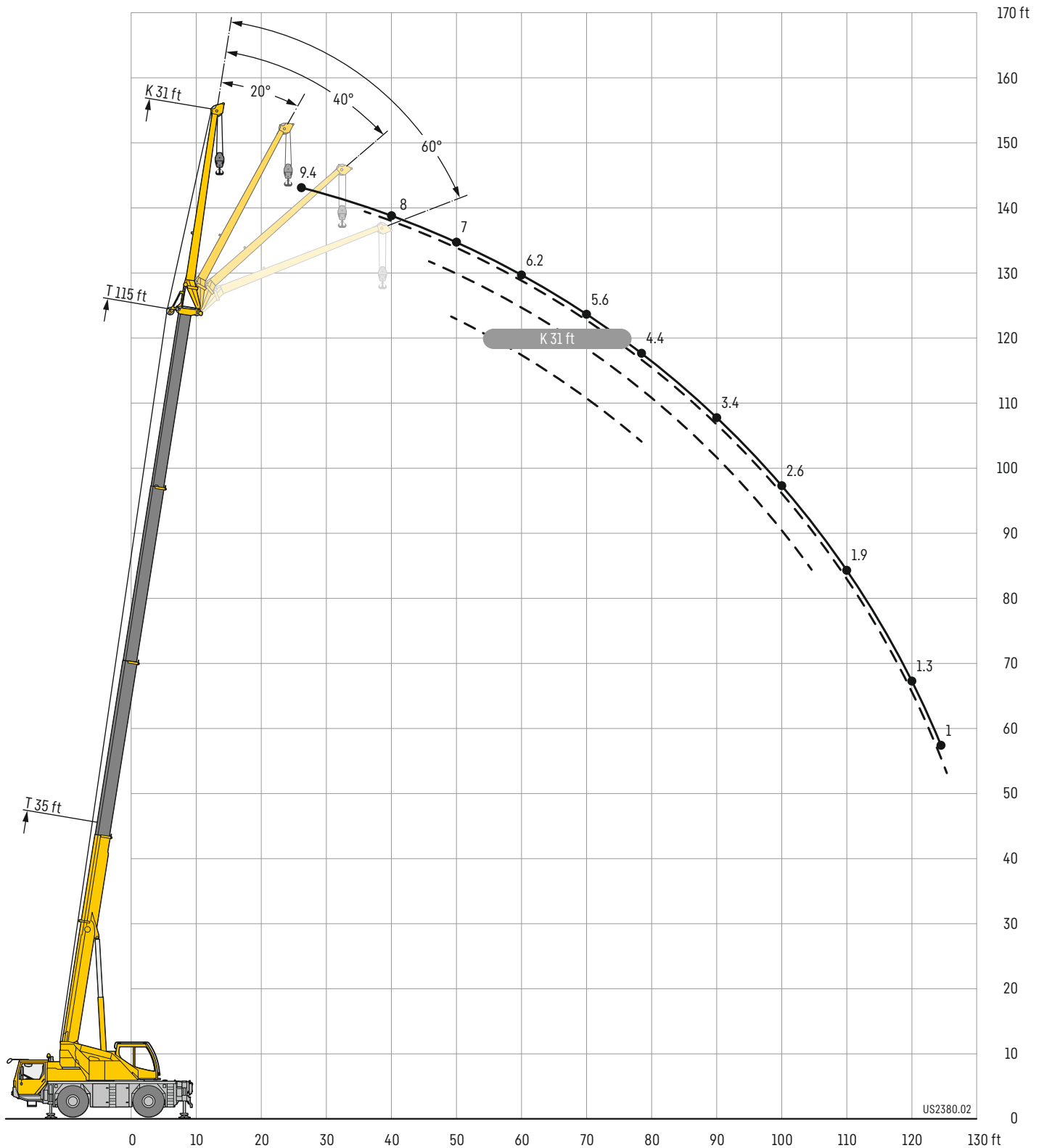
*with 4-parted additional counterweight - avec contrepoids additionnel en quatre éléments

t_196_00171_00_000/00149_00_000/00152_00_000

Lifting heights

Hauteurs de levage

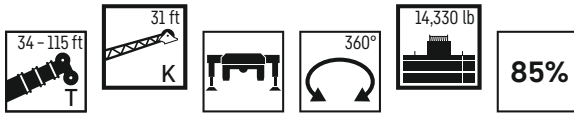
TK



Lifting capacities

Forces de levage

TK



	34 ft				83 ft								99 ft										
	0°	20°	40°	60°	0°	**	20°	**	40°	**	60°	**	0°	**	20°	**	40°	**	60°	**			
10	14.6																					10	
11	14.6																						11
12	14.6																						12
13	14.6	10.3																					13
14	14.6	10																					14
15	14.5	9.7			14.6	14.6																	15
16	14.3	9.4			14.6	14.6																	16
17	14.1	9.2			14.6	14.6																	17
18	13.6	8.9			14.5	14.5																	18
19	13.1	8.6			14.5	14.5							12.2	12.2									19
20	12.8	8.2			14.4	14.4							12.1	12.1									20
22	12.2	7.6	7.1		14	14							12	12									22
24	11.5	7.3	6.8		13.5	13.5							11.8	11.8									24
26	10.9	7	6.6		13	13	9.6	9.6					11.6	11.6									26
28	10.3	6.7	6.3	5.9	12.5	12.5	9.3	9.3					11.3	11.3	8.7	8.7							28
30	9.8	6.4	6.1	5.8	12.1	12.1	9	9					10.9	10.9	8.3	8.3							30
32	9.3	6.2	5.9	5.7	11.7	11.7	8.7	8.7	7.1	7.1			10.6	10.6	8	8							32
34	8.9	6	5.7	5.6	11.3	11.3	8.3	8.3	6.9	6.9			10.3	10.3	7.6	7.6							34
36	8.5	5.7	5.6	5.6	10.9	10.9	8	8	6.8	6.8			9.9	9.9	7.4	7.4							36
38	8.1	5.5	5.4	5.5	10.5	10.5	7.6	7.6	6.6	6.6	5.7	5.7	9.6	9.6	7.2	7.2							38
40	7.7	5.4	5.3	5.5	10.1	10.1	7.4	7.4	6.5	6.5	5.7	5.7	9.3	9.3	7	7	6.1	6.1					40
45	6.7	5	5		9.2	9.2	7	7	6.2	6.2	5.6	5.6	8.5	8.5	6.6	6.6	5.9	5.9	5.4	5.4			45
50	6	4.7			8.5	8.5	6.6	6.6	5.9	5.9	5.5	5.5	7.7	7.7	6.3	6.3	5.6	5.6	5.2	5.2			50
55	5.6				7.7	7.7	6.3	6.3	5.7	5.7	5.4	5.4	7.2	7.2	6	6	5.4	5.4	5.1	5.1			55
60					7	7	6	6	5.5	5.5	5.3	5.3	6.8	6.8	5.7	5.7	5.2	5.2	4.9	4.9			60
65					6.6	6.6	5.6	5.6	5.3	5.3			6.4	6.4	5.4	5.4	5	5	4.8	4.8			65
70					6.2	6.2	5.4	5.4	5.1	5.1			6	6	5.2	5.2	4.9	4.9	4.7	4.7			70
75					5.7	5.7	5.2	5.2	5	5			5.4	5.4	4.9	4.9	4.7	4.7					75
80					5.1	5.1	5	5	4.9	4.9			4.8	4.8	4.8	4.8	4.6	4.6					80
85					4.5	4.5	4.8	4.8					4.2	4.2	4.6	4.6	4.5	4.5					85
90					4	4	4.2	4.2					3.7	3.7	4	4	4.2	4.2					90
95					3.5	3.5	3.6	3.6					3.3	3.3	3.6	3.6	3.8	3.8					95
100					3	3							2.8	2.8	3.1	3.1							100
105													2.4	2.4	2.6	2.6							105
110													2.1	2.1	2.2	2.2							110
115													1.8	1.8									115

** telescopic loads - capacités de levage en télescopage

t_196_00190_00_000 / 00199_00_000 / 00208_00_000 / 00217_00_000

	107 ft								115 ft														
	0°	**	20°	**	40°	**	60°	**	0°	**	20°	**	40°	**	60°	**							
22	10.8	9.9																					22
24	10.7	9.6																					24
26	10.5	9.3																					26
28	10.4	9																					28
30	10.2	8.7	8	7.1																			30
32	9.9	8.5	7.8	6.9																			32
34	9.7	8.3	7.5	6.8																			34
36	9.4	8	7.3	6.6																			36
38	9.1	7.8	7.1	6.5																			38
40	8.9	7.6	6.9	6.3																			40
45	8.2	6.6	6.5	6	5.6	5.6	5.2	5.2	7.3	3.5	6.2	3.4	5.4	3.3								45	
50	7.6	5.9	6.2	5.7	5.4	5.4	5	5	7	3.2	5.9	3.1	5.2	3	4.9	3						50	
55	6.9	5.6	5.9	5.4	5.2	5.2	4.9	4.9	6.6	2.8	5.6	2.9	5	2.8	4.7	2.7						55	
60	6.5	5.3	5.6	5.1	5	5	4.8	4.8	6.2	2.2	5.4	2.6	4.8	2.5	4.6	2.3						60	
65	6.2	5.1	5.3	4.9	4.8	4.8	4.6	4.6	5.9	1.8	5.1	2.1	4.7	2	4.5	1.9						65	
70	5.8	4.8	5.1	4.7	4.7	4.6	4.5	4.5	5.6	1.4	4.9	1.7	4.5	1.6	4.4	1.6						70	
75	5.2	4.6	4.9	4.5	4.5	4.4	4.5	4.3	5	1	4.7	1.3	4.4	1.3	4.3	1.3						75	
80	4.6	4.4	4.7	4.3	4.4	4.2	4.5	4.3	4.4		4.5	1	4.2	1	4.2	1						80	
85	4	4	4.4	4.2	4.3	4			3.9		4.3		4.1		4.1							85	
90	3.5	3.5	4	4	4.1	3.9			3.4		3.8		4		4							90	
95	3.1	2.9	3.5	3.5	3.7	3.7			3		3.3		3.6		3.6							95	
100	2.7	2.5	3.1	3.1	3.2	3.2			2.6		2.9		3.1		3.1							100	
105	2.4	2	2.6	2.6					2.2		2.6		2.7									105	
110	2	1.7	2.2	2.2					1.9		2.2											110	
115	1.7	1.3	1.9	1.8					1.6		1.9											115	
120	1.4	0.9	1.5	1.3					1.3		1.5											120	
125	1.1								1		1.2											125	

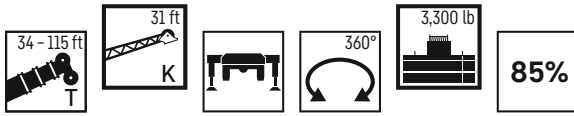
** telescopic loads - capacités de levage en télescopage

t_196_00190_00_000 / 00199_00_000 / 00208_00_000 / 00217_00_000

Lifting capacities

Forces de levage

TK



	34 ft				83 ft								99 ft										
	0°	20°	40°	60°	0°	**	20°	**	40°	**	60°	**	0°	**	20°	**	40°	**	60°	**			
10	14.6																					10	
11	14.6																						11
12	14.6																						12
13	14.6	10.3																					13
14	14.6	10																					14
15	14.5	9.7			14.6	14.6																	15
16	14.3	9.4			14.6	14.6																	16
17	14.1	9.2			14.6	14.6																	17
18	13.6	8.9			14.5	14.5																	18
19	13.1	8.6			14.5	14.5							12.2	12.2									19
20	12.8	8.2			14.4	14.4							12.1	12.1									20
22	12.2	7.6	7.1		14	14							12	12									22
24	11.5	7.3	6.8		13.5	13.5							11.8	11.8									24
26	10.9	7	6.6		13	13	9.6	9.6					11.6	11.6									26
28	10.3	6.7	6.3	5.9	12.5	12.5	9.3	9.3					11.3	11.3	8.7	8.7							28
30	9.8	6.4	6.1	5.8	12.1	12.1	9	9					10.9	10.9	8.3	8.3							30
32	9.3	6.2	5.9	5.7	11.7	11.7	8.7	8.7	7.1	7.1			10.6	10.6	8	8							32
34	8.9	6	5.7	5.6	11.3	11.3	8.3	8.3	6.9	6.9			10.3	10.3	7.6	7.6							34
36	8.5	5.7	5.6	5.6	10.9	10.9	8	8	6.8	6.8			9.9	9.9	7.4	7.4							36
38	8.1	5.5	5.4	5.5	10.4	10.4	7.6	7.6	6.6	6.6	5.7	5.7	9.6	9.6	7.2	7.2							38
40	7.7	5.4	5.3	5.5	9.8	9.8	7.4	7.4	6.5	6.5	5.7	5.7	9.2	9.2	7	7	6.1	6.1					40
45	6.7	5	5		8.2	8.2	7	7	6.2	6.2	5.6	5.6	7.6	7.6	6.6	6.6	5.9	5.9	5.4	5.4			45
50	6	4.7			6.9	6.9	6.6	6.6	5.9	5.9	5.5	5.5	6.4	6.4	6.3	6.3	5.6	5.6	5.2	5.2			50
55	5.6				5.8	5.8	6.3	6.3	5.7	5.7	5.4	5.4	5.3	5.3	5.9	5.9	5.4	5.4	5.1	5.1			55
60					4.9	4.9	5.5	5.5	5.5	5.5	5.3	5.3	4.5	4.5	5.1	5.1	5.2	5.2	4.9	4.9			60
65					4.1	4.1	4.7	4.7	5.2	5.2			3.7	3.7	4.3	4.3	4.8	4.8	4.8	4.8			65
70					3.5	3.5	4	4	4.4	4.4			3.1	3.1	3.6	3.6	4.1	4.1	4.4	4.4			70
75					3	3	3.4	3.4	3.7	3.7			2.6	2.6	3.1	3.1	3.5	3.5					75
80					2.5	2.5	2.8	2.8	3.1	3.1			2.1	2.1	2.5	2.5	2.9	2.9					80
85					2.1	2.1	2.3	2.3					1.7	1.7	2.1	2.1	2.4	2.4					85
90					1.6	1.6	1.9	1.9					1.4	1.4	1.7	1.7	1.9	1.9					90
95					1.3	1.3	1.5	1.5					1	1	1.3	1.3	1.5	1.5					95
100					1	1									1	1							100

** telescopic loads · capacités de levage en télescopage

t_196_00198_00_000 / 00207_00_000 / 00216_00_000 / 00225_00_000

	107 ft								115 ft														
	0°	**	20°	**	40°	**	60°	**	0°	**	20°	**	40°	**	60°	**							
22	10.8	9.9																					22
24	10.7	9.6																					24
26	10.5	9.3							9.4	5.1													26
28	10.4	9							9.3	4.9													28
30	10.2	8.7	8	7.1					9.2	4.7													30
32	9.9	8.5	7.8	6.9					9.1	4.5													32
34	9.7	8.3	7.5	6.8					8.8	4.3													34
36	9.4	8	7.3	6.6					8.6	4.2	6.9	4											36
38	9.1	7.8	7.1	6.5					8.3	4	6.7	3.9											38
40	8.7	7.6	6.9	6.3					8	3.9	6.5	3.7											40
45	7.4	6.6	6.5	6	5.6	5.6	5.2	5.2	7.1	3.5	6.2	3.4	5.4	3.3									45
50	6.1	5.9	6.2	5.7	5.4	5.4	5	5	5.9	3.2	5.9	3.1	5.2	3	4.9	3							50
55	5.1	5.1	5.8	5.4	5.2	5.2	4.9	4.9	4.9	2.8	5.6	2.9	5	2.8	4.7	2.7							55
60	4.3	4.3	5	5	5	5	4.8	4.8	4.1	2.2	4.9	2.6	4.8	2.5	4.6	2.3							60
65	3.6	3.6	4.2	4.2	4.7	4.7	4.6	4.6	3.4	1.8	4.1	2.1	4.6	2	4.5	1.9							65
70	3	3	3.6	3.6	4	4	4.3	4.3	2.8	1.4	3.4	1.7	3.9	1.6	4.2	1.6							70
75	2.4	2.4	3	3	3.4	3.4	3.6	3.6	2.3	1	2.9	1.3	3.3	1.3	3.5	1.3							75
80	2	2	2.5	2.5	2.8	2.8			1.8		2.4	1	2.7	1	2.9	1							80
85	1.6	1.6	2	2	2.3	2.3			1.4		1.9		2.2										85
90	1.2	1.2	1.6	1.6	1.9	1.9			1.1		1.5		1.8										90
95			1.3	1.3	1.5	1.5					1.2		1.4										95
100			0.9	0.9	1.1	1.1							1										100

** telescopic loads · capacités de levage en télescopage

t_196_00190_00_000 / 00199_00_000 / 00208_00_000 / 00217_00_000

Equipment

Crane carrier

Frame	Liebherr designed and manufactured, box-type, torsion resistant design of hightensile fine grained structural steel.
Outriggers	4-point supporting system, hydraulically telescopable into horizontal and vertical direction. Operation with remote control, automatic support leveling, electronic inclination display.
Engine	6-cylinder Diesel, make Cummins, watercooled, output 209 kW (280 h.p.), max. torque 850 lb-ft. Exhaust emissions to (EU 2016/1628 and EPA/CARB or ECE-R.96, spark arrestor. Fuel reservoir: 79 gallons.
Transmission	ZF power-shift gear with torque converter, lock-up, transfer case, 6 forward and 2 reverse speeds.
Axles	Front: planetary axle with differential lock, steerable. Rear: planetary axle with differential lock, steerable.
Suspension	All axles with hydropneumatic suspension and hydraulic locking facility.
Tyres	4 tyres. Tyre size: 445/95 R 25 (16.00 R 25).
Steering	Front axle mechanically steered, with hydraulic power assistance and stand-by steering pump. Rear axle hydraulically steered. Both axles steered hydrostatically from crane cab.
Brakes	Service brake: all-wheel servo-air brake, all axles are equipped with disc brakes, dual circuit. Hand brake: spring loaded, acting on all wheels. Sustained-action brake: engine brake.
Driver's cab	Spacious corrosion resistant with comfort furnishings, mounted on rubber shock absorbers, air-conditioning system, safety glazing.
Electrical system	Modern data bus technique, 24 Volt DC.

Crane superstructure

Frame	Liebherr-made, torsion-resistant, welded construction of high-tensile structural steel, single-row ball bearing slewing ring.
Crane drive	Diesel-hydraulic with 1 axial variable displacement pump with automatic capacity control, 1 double gear pump, driven by the carrier Diesel engine, open regulated oil circuits with electrically controlled "load sensing", operation of 4 movements simultaneously.
Control	Electrical control of drives by self-centering joysticks, data transfer with Liebherr System Bus (LSB).
Hoist gear	Axial piston fixed displacement motor, hoist drum with integrated planetary gear and spring-loaded static brake, actuation by open regulated oil circuit.
Luffing gear	1 differential hydraulic ram with pilot locking valve.
Slewing gear	Axial piston fixed displacement motor, planetary gear, spring-loaded static brake.
Crane cab	Large screen area, compound glass, comfort furnishing, air-conditioning system, cabin tiltable 20° to rear.
Safety devices	LICCON2 safe load indicator, hoist limit switch, safety valves against pipe and hose rupture.
Telescopic boom	1 boom pivot section and 3 telescopic sections. All sections hydraulically extendable under load. Boom length: 34 ft - 115 ft.
Counterweight	3,300 lb basic ballast, permanently mounted to the superstructure.

Additional equipment

K	Single folding jib, 31 ft. Mechanical adjustment 0°, 20°, 40°, 60°.
Additional counterweight	11,030 lb for a total counterweight of 14,330 lb.
Ballasting device	Hydraulic ram on the superstructure.

Other items of equipment available on request.

Équipement

Châssis porteur

Cadre	Fabrication Liebherr, construction en caisson indéformable, en acier à haute résistance à grains fins.
Calage	Dispositif de calage horizontal et vertical en 4 points, entièrement déployable hydrauliquement. Utilisation avec commande à distance, mise à niveau automatique du calage, inclinomètre électronique.
Moteur	Moteur diesel, 6 cylindres, fabriqué par Cummins, à refroidissement par eau, de 209 kW (280 ch), couple max. 850 lb-ft. Emissions des gaz d'échappement conformes aux directives (EU) 2016/1628 et EPA/CARB ou ECE-R.96, pare-étincelles. Capacité du réservoir à carburant: 79 gallons.
Boîte de vitesse	Boîte de vitesse, marque ZF, avec convertisseur de couple, «lock-up», boîte de transfert, 6 rapports AV et 2 AR.
Essieux	Essieu AV: à trains planétaires avec blocage de différentiel, directeur. Essieu AR: à trains planétaires avec blocage de différentiel, directeur.
Suspension	Tous les essieux sont suspendus hydropneumatiquement et blocable hydrauliquement.
Pneumatiques	4 roues. Taille: 445/95 R 25 (16.00 R 25).
Direction	Direction mécanique à assistance hydraulique de l'essieu avant. Pompe de secours. Direction de l'essieu arrière enclenchable hydrauliquement. Direction hydrostatique des deux essieux à commande depuis la cabine du grutier.
Freins	Freins de service: servofrein à air comprimé, tous les essieux sont munis de freins à disque, à 2 circuits. Frein à main: par cylindres à ressort, agissant sur les roues. Frein à régime continu: frein moteur.
Cabine	Spacieuse cabine, traitement anticorrosion, équipement «grand confort», suspension par silentblochs, climatisation, vitrage de sécurité.
Installation électrique	Technique moderne de transmission de données par BUS de données, courant continu 24 Volts.

Partie tournante

Cadre	Fabrication Liebherr, construction mécanosoudée en tôle d'acier à haute résistance à grains fins. Couronne d'orientation à 1 rangée de billes.
Entraînement	Diesel hydraulique avec 1 pompe double à débit variable et régulation de puissance automatique, 1 pompe à engrenages double, entraînés par le moteur Diesel du porteur, circuits hydrauliques ouverts avec «load sensing», régulé électriquement. 4 mouvements simultanés praticables.
Commande	Commande électrique des mécanismes par leviers de manoeuvre à centrage automatique, Liebherr Système Bus (LSB) pour la transmission.
Mécanisme de levage	Moteur hydraulique à cylindrée constante, treuil à réducteur planétaire incorporé et frein à ressort, en circuit hydraulique ouvert.
Mécanisme de relevage	1 vérin différentiel, avec clapet anti-retour de sécurité.
Dispositif de rotation	Moteur à cylindrée constante à pistons axiaux, engrenage planétaire, frein d'arrêt commandé par ressort.
Cabine de grue	Large champ de vision, vitrage de sécurité, équipement pour un confort idéal, climatisation, cabine inclinable de 20° vers l'arrière.
Dispositif de sécurité	Contrôleur de l'état de charge LICCON2, fin de course de levage, soupapes de sécurité sur tubes et flexibles contre rupture.
Flèche télescopique	Flèche à télescopage hydraulique formée d'un élément de base et de 3 éléments télescopables en charge. Longueur de flèche: 34 ft - 115 ft.
Contrepoids	Contrepoids de base de 3,300 lb, fixé sur la partie tournante.

Équipement supplémentaire

K	Fléchette pliante simple, longueur 31 ft. Réglage mécanique à 0°, 20°, 40°, 60°.
Contrepoids additionnel	11,030 lb pour un contrepoids total de 14,330 lb.
Dispositif de lestage	Vérin hydraulique sur la partie tournante.

Autres équipements supplémentaires sur demande.

Description of symbols

Explication des symboles



Max. capacity
Capacité max.



Outriggers rear
Calage arrière



Radius
Portée



Max. hoist height
Hauteur de levage max.



Crane superstructure
Partie tournante de la grue



Telescopic boom
Flèche télescopique



Max. radius
Portée max.



infinitely variable
en continu



Swing away jib
Fléchette pliante



Vehicle width
Largeur du véhicule



Rope diameter
Diamètre



Tyres
Pneumatiques



Rope length
Longueur du câble



Hookblock/Capacity
Moufle à crochet/Capacité de charge



Max. single line pull
Effort au brin maxi.



No. of sheaves
Poulies



Hoist gear
Treuil de levage



No. of lines
Brins



Slewing speeds
Vitesses d'orientation



Weight
Poids



Boom length
Longueur de la flèche



Crane carrier
Châssis porteur



Boom position
Position de la flèche



Driving speed
Vitesse de translation



Counterweight
Contrepoids



Gradability
Aptitude à gravir les pentes



Outriggers
Calage



Gear
Vitesse



Outriggers - free on tyres
Calage - libre sur pneus



Max. supporting forces
Forces d'appui max.



Slewing gear / Working area
Mécanisme d'orientation / Plage de travail



Outriggers front
Calage avant



Standard
Norme

Remarks

1. The lifting capacities do not exceed 85 % of the tipping load according to ASME B 30.5. The crane's structural steelwork is in accordance with EN 13000 and ASME B 30.5.
2. For the calculation of the load charts at least a wind speed of 30 ft/s (9 m/s, 20 mph) and regarding the load a sail area of 1 m² per ton load and a wind resistance coefficient of 1.2 on the load have been taken into account. For lifting of loads with large sail areas and/or high wind resistance coefficients the maximum wind speed as stated in the load charts has to be reduced.
3. The lifting capacities stated are valid for lifting operation only (corresponding with crane classification according to ISO 4301-1, crane group A1).
4. Lifting capacities are given in kip.
5. The weight of the hook blocks and hooks is part of the load and therefore it must be deducted from the lifting capacities.
6. Working radii are measured from the slewing center.
7. The stated lengths of the telescopic boom are maximum values and may deviate slightly.
8. The lifting capacities given for the telescopic boom apply if the folding jib is removed.
9. Subject to modification of lifting capacities.
10. Lifting capacities above 70,330 lb / 76,940 lb only with additional pulley block/special equipment.
11. The data of this brochure serves only for general information. All information is provided without warranty. Instructions for the correct commissioning of the crane please take from the operation manual and the load chart book.
12. The illustrations in this brochure may feature accessories and special equipment not included in the standard scope of delivery.

Remarques

1. La capacité de charge ne doit pas dépasser 85 % de la charge de basculement conformément à ASME B 30.5. La structure métallique de la grue est conforme à EN 13000 et ASME B 30.5.
2. Une vitesse de vent de 30 ft/s (9 m/s, 20 mph) minimum, une surface de prise au vent de 1 m² par tonne ainsi qu'un coefficient de résistance au vent de la charge 1,2 sont pris en compte pour le calcul des tableaux de charge. Lorsque des charges ayant une surface de prise au vent et/ou un coefficient de résistance au vent plus élevé(e)s sont levées, la vitesse de vent maximale indiquée dans les tableaux de charge doit être réduite.
3. Forces de levage pour application de grue de montage (correspond à la classification de grues selon ISO 4301-1, groupe de grues A1).
4. Les charges sont indiquées en kip.
5. Le poids du crochet de levage resp. de la moufle à crochet est une partie de la charge et doit donc être déduit de la capacité de charge.
6. Les portées sont calculées à partir de l'axe de rotation.
7. Les longueurs indiquées pour la flèche télescopique sont des valeurs maximales et peuvent légèrement varier dans la réalité.
8. Les charges indiquées pour la flèche télescopique sont valables lorsque la fléchette pliante est démontée.
9. Charges données sous réserve de modification.
10. Forces de levage plus de 70,330 lb / 76,940 lb seulement avec moufle additionnel/équipement supplémentaire.
11. Les données de cette brochure sont données à titre informatif. Ces renseignements sont sans garantie. Les consignes relatives à la bonne mise en service de la grue sont disponibles dans le manuel d'utilisation et le manuel de tableaux de charge.
12. Les figures contiennent également des accessoires et des équipements spéciaux non inclus de série dans la livraison.

MyLiebherr

Our MyLiebherr portal is the easy way for you to access Liebherr's digital service world.
Take advantage of extensive basic and additional services for your mobile and crawler cranes.

Avec notre portail MyLiebherr, accédez facilement à l'univers numérique du service de Liebherr.
Bénéficiez dès maintenant d'un service global et de prestations complémentaires pour vos grues mobiles et sur chenilles.



One portal, all services

MyLiebherr



Planning

Crane Finder



Operations

Performance



Planning

Crane Planner 2.0



Operations

Documents



Maintenance

Spare Parts Catalogue



Planning

LICCON Work Planner



Training

Digital Crane Operator



Maintenance

Parts Shop

Proposition 65



WARNING: This product can expose you to chemicals, including exhaust emissions, including lead and lead compounds, which are known to the State of California to cause cancer, birth defects or other reproductive harm.
For more information see: www.P65warnings.ca.gov/diesel

Subject to modification · Sous réserve de modifications

Liebherr-Werk Ehingen GmbH · Postfach 1361 · 89582 Ehingen, Germany
Phone +49 73 91 5 02-0 · www.liebherr.com

MyLiebherr



Printed in Germany (3)
lwe-td-196-02-us04-2023