



## Installation Guide

Quality, Design and Innovation



[home.liebherr.com/fridge-manuals](http://home.liebherr.com/fridge-manuals)




# LIEBHERR






# General safety instructions

## Contents

<b>1</b>	<b>General safety instructions.....</b>	<b>2</b>
<b>2</b>	<b>Installation conditions.....</b>	<b>3</b>
2.1	Installation location.....	3
2.2	Position in the space.....	3
<b>3</b>	<b>Fitting into a kitchen unit.....</b>	<b>4</b>
<b>4</b>	<b>Appliance dimensions.....</b>	<b>4</b>
<b>5</b>	<b>Ventilation requirements.....</b>	<b>5</b>
<b>6</b>	<b>Connection dimensions for the power supply.....</b>	<b>5</b>
<b>7</b>	<b>Water connection.....</b>	<b>5</b>
7.1	Water pressure.....	5
<b>8</b>	<b>Transporting the appliance.....</b>	<b>6</b>
8.1	Transporting the appliance for initial installation.....	6
8.2	Transporting the appliance after initial installation.....	6
<b>9</b>	<b>Unpacking the appliance.....</b>	<b>6</b>
<b>10</b>	<b>Setting up the device.....</b>	<b>6</b>
<b>11</b>	<b>Setting up the appliance level.....</b>	<b>7</b>
<b>12</b>	<b>After setup.....</b>	<b>7</b>
<b>13</b>	<b>Fitting the appliance into a kitchen recess..</b>	<b>7</b>
<b>14</b>	<b>Disposal of packaging.....</b>	<b>9</b>
<b>15</b>	<b>Aligning the door and pull-out cart.....</b>	<b>9</b>
15.1	Aligning the cooling section.....	9
15.2	Aligning the freezer section door.....	9
15.3	Aligning the pull-out cart.....	10
<b>16</b>	<b>Connecting the appliance to the water supply.....</b>	<b>10</b>
16.1	Connecting the water pipe.....	11
16.2	Check the water system.....	11
<b>17</b>	<b>Water tank.....</b>	<b>12</b>
17.1	Inserting the water tank.....	12
<b>18</b>	<b>Water filter.....</b>	<b>12</b>
18.1	Installing the water filter.....	12
<b>19</b>	<b>Connecting the appliance to the power supply.....</b>	<b>12</b>

The manufacturer is constantly working to improve all types and models. Therefore, please be aware that we reserve the right to make changes to the shape, equipment and technology.

Symbol	Explanation
	<b>Read instructions</b> Please read the information in these instructions carefully to understand all of the benefits of your new appliance.

Symbol	Explanation
	<b>Additional information online</b> The digital manual with supplemental information can be found online by scanning the QR code on the front page of this manual or by entering the service number at <a href="http://home.liebherr.com/fridge-manuals">home.liebherr.com/fridge-manuals</a> .
	<b>Check appliance</b> Check all parts for transport damage. If you have any complaints, please contact your agent or customer service.
	<b>Differences</b> These instructions apply to a range of models, so there may be differences. Sections that apply to certain models only are indicated by an asterisk (*).
	<b>Instructions and results</b> Instructions are marked with a ▶. Results are marked with a ▷.
	<b>Videos</b> Videos about the appliances are available on the YouTube channel of Liebherr-Hausgeräte.

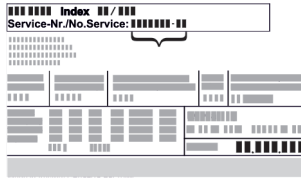
### Open-source licenses:

The appliance includes software components that make use of open-source licenses. You can find information on the open-source licenses to be used here: [home.liebherr.com/open-source-licenses](http://home.liebherr.com/open-source-licenses)

## 1 General safety instructions

- Please keep this assembly manual in a safe place so you can refer back to it at any time.
- If you pass the appliance on, please hand this assembly manual to the new owner.
- Read this assembly manual before installation and use in order to use the appliance safely and correctly. Follow the instructions, safety instructions and warning messages included at all times. They are important for ensuring you can operate and install the appliance safely and without any problems.
- First read the general safety instructions in the "General safety instructions" section of the **operating instructions**, which accompany these installation instructions, and follow them. If you cannot find the **operating instructions**, you can download the **operating instructions** from the internet by entering the service number at [home.liebherr.com/fridge-](http://home.liebherr.com/fridge-)

**manuals.** The service number can be found on the



serial tag:

- **Observe the warning messages and other detailed information in the other sections when installing the appliance:**

	DANGER	indicates a hazardous situation, which if not avoided, will result in death or serious injury.
	WARNING	indicates a hazardous situation, which if not avoided, could result in death or serious injury.
	CAUTION	indicates a hazardous situation, which if not avoided, will result in minor or moderate injury.
	NOTICE	indicates a hazardous situation, which if not avoided, could result in damage to property.
	Note	indicates useful advice and tips.

## 2 Installation conditions

The installation conditions are crucial to ensure that you can operate your appliance safely, efficiently, and trouble-free.

- Observe all safety instructions.
- Observe the installation location and position in the room.

### WARNING

Danger of fire due to incorrect positioning!  
If the power supply cable or plug touches the back of the appliance, the vibration can damage the power supply cable or the plug resulting in a short circuit.

- ▶ Make sure the power supply cable is not trapped under the appliance when you position the appliance.
- ▶ Install the appliance so that it does not touch any plugs or power cables.
- ▶ Do not connect any appliances to sockets in the area of the back of the appliance.
- ▶ Do **not** place and operate power strips/power distributors and other electronic devices (such as halogen transformers) at the back of the appliances.

### WARNING

Risk of fire due to moisture!  
If live parts or the power cord get wet, this can cause a short circuit.

- ▶ The appliance is designed for use in enclosed spaces. Do not operate the appliance in open space or in damp areas or where there is spray.

### WARNING

Leaking refrigerant and oil!  
Fire. The refrigerant contained within the appliance is environmentally friendly, but flammable. The oil contained within the appliance is flammable. Escaping refrigerant and oil can ignite if they are of high enough concentration and are exposed to an external heat source.

- ▶ Do not damage the pipelines of the coolant circuit and the compressor.

## 2.1 Installation location

- Only set up and used the appliance in enclosed spaces.
- The optimum installation location is a dry and well-ventilated space.
- If the appliance is set up in a very humid environment, condensation may form on the outside of it. Always ensure good ventilation at the installation location.
- The more refrigerant there is in the appliance, the larger the room in which the appliance is installed must be. If the room is too small, a flammable gas/air mixture may form in the event of a leak. Per 8 g (0.28 oz) refrigerant, the installation space must be at least 1 m<sup>3</sup> (35.5 ft<sup>3</sup>) in size. Information on the refrigerant contained can be found on the type plate inside the appliance.
- The floor at the installation location must be horizontal and level.

## 2.2 Position in the space

- Do not set up the appliance in an area with direct sunlight, next to a heating unit or similar.
- You can set up the appliance directly next to an oven.
- If you set up the appliance directly next to an oven, its energy consumption may increase slightly. This depends on the service life and how often the oven is used.
- Always place the rear of the appliance directly against the wall.
- Use in potentially explosive atmospheres is not permitted.

# Fitting into a kitchen unit

## 3 Fitting into a kitchen unit

- You can convert the appliance with kitchen cabinets.

## 4 Appliance dimensions

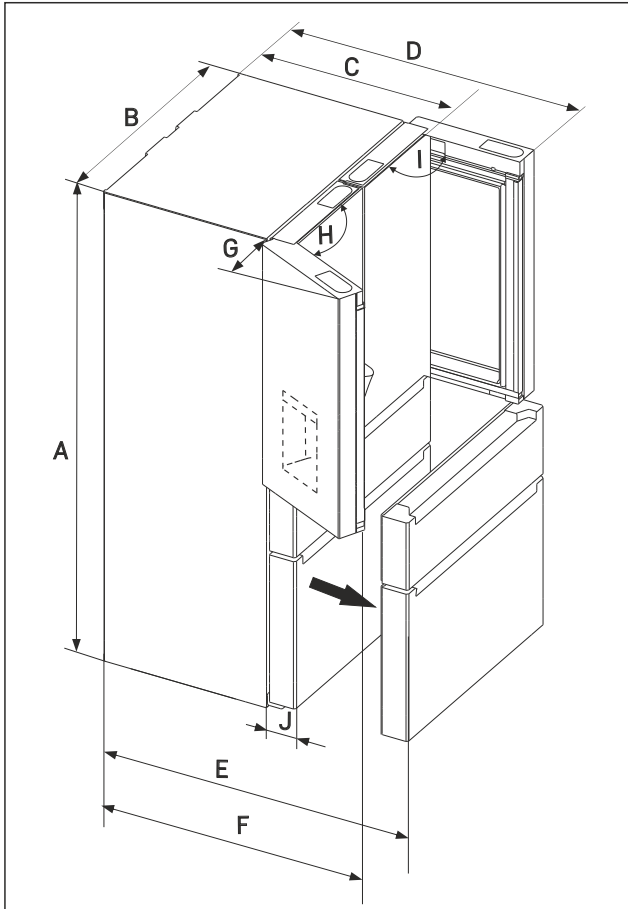


Fig. 1 Appliance with two pull-out carts in the freezer section

- (A)** Appliance height
- (B)** Appliance width
- (C)** Appliance depth
- (D)** Appliance depth with door open is 90°
- (E)** Appliance depth with open pull-out cart
- (F)** Appliance depth with door open is 115°
- (G)** Door clearance
- (H)** Door opening angle
- (I)** Door opening angle
- (J)** Front thickness

FDBC36S / FDBHC36S / FDBI36S / FDBHI36S / FDE36S	
<b>A ( mm ( in))</b>	1805 (71 1/8)
<b>B ( mm ( in))</b>	906 (35 11/16)
<b>C ( mm ( in))</b>	745 (29 3/8)

FDBC36S / FDBHC36S / FDBI36S / FDBHI36S / FDE36S	
<b>D ( mm ( in))</b>	1109 (43 21/32)
<b>E ( mm ( in))</b>	1175 (46 1/4)
<b>F ( mm ( in))</b>	1086 (42 3/4)
<b>G ( mm ( in))</b>	221 (8 11/16)
<b>H</b>	115°
<b>I</b>	90°
<b>J ( mm ( in))</b>	110 (4 5/16)

\*When using wall spacers, the dimension increases by 15 mm (0.59 in).

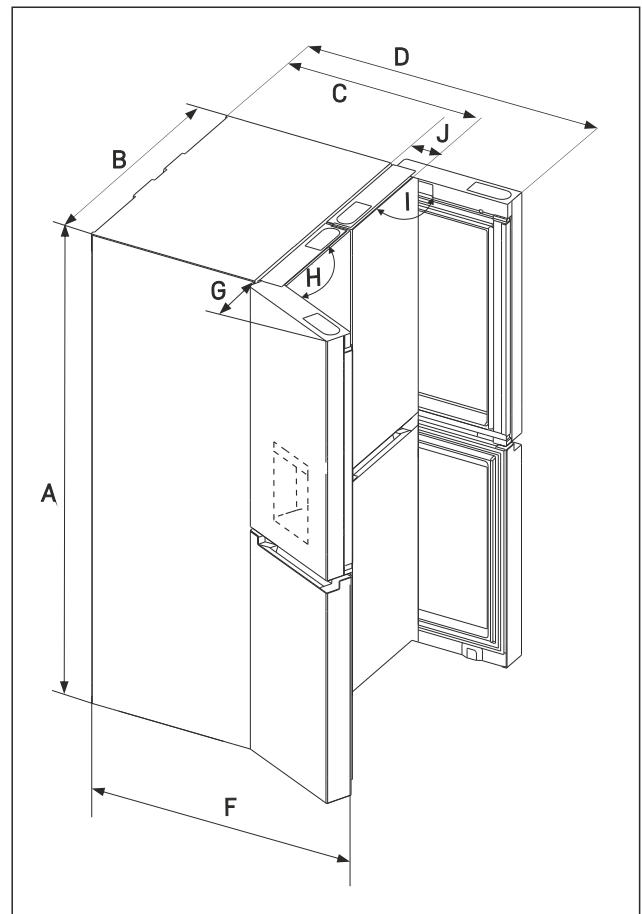


Fig. 2 Appliance with double-door freezer section

- (A)** Appliance height
- (B)** Appliance width
- (C)** Appliance depth
- (D)** Appliance depth with door open is 90°
- (G)** Door clearance
- (H)** Door opening angle
- (I)** Door opening angle
- (J)** Front thickness

# Ventilation requirements

(F) Appliance depth with door open is 115°

<b>A ( mm ( in))</b>	1805 (71 1/8)
<b>B ( mm ( in))</b>	906 (35 11/16)
<b>C ( mm ( in))</b>	745 (29 3/8)
<b>D ( mm ( in))</b>	1109 (43 21/32)
<b>F ( mm ( in))</b>	1086 (42 3/4)
<b>G ( mm ( in))</b>	221 (8 11/16)
<b>H</b>	115°
<b>I</b>	90°
<b>J ( mm ( in))</b>	110 (4 5/16)

<sup>a</sup>When using wall spacers, the dimension increases by 15 mm (0.59 in).

## 5 Ventilation requirements

### NOTICE

Risk of damage due to overheating in the case of insufficient ventilation!

In the case of insufficient ventilation, the compressor can be damaged.

- ▶ Make sure there is sufficient ventilation.
- ▶ Observe the ventilation requirements.

If the appliance is integrated into the kitchen cabinet, observe the following ventilation requirements:

- As a general rule, the larger the ventilation cross-section, the more energy-efficient the appliance operates.
- Observe the installation dimensions. (see 13 Fitting the appliance into a kitchen recess)

## 6 Connection dimensions for the power supply

The connection for the power supply is on the rear of the appliance. In order for you to be able to safely connect your appliance, make sure that the following requirements are met:

- ❑ Dimensions for the power supply connection are known and observed. See the table below.
- ❑ The connection to the power supply is made according to the instructions. (see 19 Connecting the appliance to the power supply)

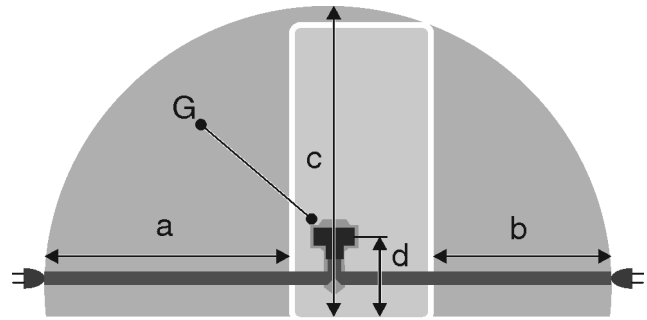


Fig. 3 Fridge/freezer combinations/freezers/full-capacity Bio-Fresh appliances

- (a)** Maximum available length of the power cable
- (b)** Maximum available length of the power cable
- (c)** Maximum available vertical length of the power cable
- (d)** Distance of the appliance plug to the floor
- (G)** Appliance plug

For 906 mm (35 11/16 in) wide appliances:	
<b>a</b>	~ 2000 mm (78 3/4 in)
<b>b</b>	~ 1300 mm (51 3/16 in)
<b>c</b>	~ 2200 mm (86 5/8 in)
<b>d</b>	~ 148 mm (5 13/16 in)
<b>G</b>	Appliance plug

## 7 Water connection

If your appliance has a fixed water connection, an elbow connector with screen filter is supplied with it.

Requirements for the water pressure:	(see 7.1 Water pressure)
Make the water connection:	(see 16 Connecting the appliance to the water supply)

### 7.1 Water pressure

The water connection line and solenoid valve of the appliance are suitable for a water pressure of up to 1 MPa (10 bar (145.04 psi)).

To ensure that the appliance functions correctly (flow rate, ice cube size, noise level), maintain the following water pressure:

Water pressure:		
bar	psi	MPa
1.5 to 6.2	21.76 to 87.02	0.15 to 0.62

## Transporting the appliance

Water pressure if using the water filter:		
bar	psi	MPa
2.8 to 6.2	40 to 90	0.28 to 0.62

If the pressure is higher than 6.2 bar (89.92 psi):

- ▶ Connect a pressure reducer.
- ▶ Make the water connection. (see 16 Connecting the appliance to the water supply)

## 8 Transporting the appliance



### WARNING

Danger of injury and damage due to a heavy appliance! Crushing, fractures, injuries. Damage to appliance and premises. If you are transporting the appliance, e. g. carrying it up a staircase, and the appliance slips from your hand, it may cause injury or damage to property due to its weight.

- ▶ Always have two people transport the appliance.
- ▶ Use lashing straps.

### 8.1 Transporting the appliance for initial installation

Make sure that the following requirements are fulfilled:

- Appliance is packaged.
- The appliance is upright.
- ▶ Place the lashing straps around the box.
- ▶ Hold the appliance by the lashing straps.
- ▶ Have two people transport the appliance.
- ▶ Unpack the appliance. (see 9 Unpacking the appliance)

### 8.2 Transporting the appliance after initial installation

Observe the following instructions if you want to transport or move the appliance after initial installation.

Make sure that the following requirements are fulfilled:

- Appliance is empty.
- The appliance is upright.
- Appliance with door(s): The door is secured against undesired opening.
- Appliance with pull-out cart: The pull-out cart is secured against undesired opening.
- Appliance with adjustable feet: Adjustable feet are turned in.
- ▶ Have two people transport the appliance.

After transporting it:

- ▶ Turn out the adjustable feet on the appliance.
- ▶ Align the appliance. (see 11 Setting up the appliance level)

## 9 Unpacking the appliance

If the appliance is damaged check with the supplier immediately before connecting it.

- ▶ Check the appliance and packaging for damage during transport. If you suspect any damage, please contact your supplier immediately.
- ▶ Remove all materials that could prevent it from being installed properly or prevent proper ventilation from the back or the side panels of the appliance.
- ▶ Remove all protective films from the appliance. Do not use sharp or pointed objects for this.

## 10 Setting up the device



### CAUTION

Risk of injury due to heavy appliance!

- ▶ Have two people transport the appliance to its installation site.



### WARNING

Risk of fire from short circuit!

- ▶ When setting up the appliance: Do not kink, trap, or damage the power cable.
- ▶ Do not operate the appliance with a defective power cable.



### WARNING

Danger of fire and damage!

- ▶ Do not place devices that give off heat, e.g. microwaves, toasters, etc. on the appliance.

Make sure that the following requirements are fulfilled:

- Only move the appliance when it is not loaded.
- Always have someone to help when installing the appliance.
- ▶ Remove the power cable from the enclosed package.
- ▶ Fully insert the IEC socket of the power cable completely into the appliance plug on the rear side of the appliance. Ensure the IEC socket is firmly in place.
- ▶ If necessary, use a string to route the power plug to a socket outlet that is freely accessible.

## 11 Setting up the appliance level

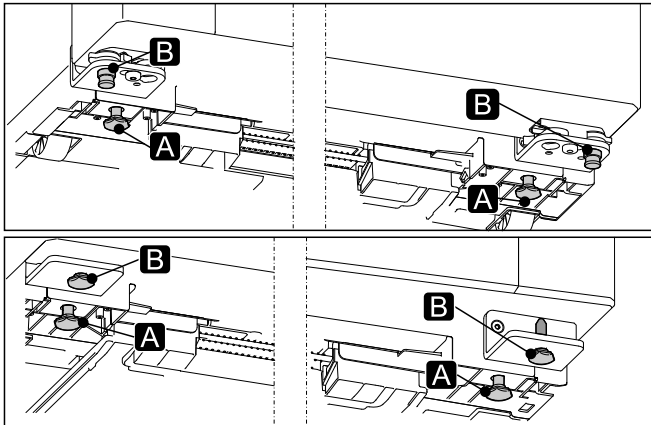


Fig. 4

- ▶ Unscrew the adjustable feet (A) using the open-end wrench provided and a spirit level until the appliance is firmly aligned and level.



### CAUTION

Danger of injury and damage if the appliance tips over! The appliance may tip over if the additional adjustable foot on the bottom swap bearing block does not rest properly on the floor. This may result in damage or injuries.

- ▶ Unscrew the additional adjustable foot on the swap bearing block as per the instructions.

- ▶ Unscrew the adjustable foot (B) at the swap bearing block using the open-end wrench provided until it rests on the floor.
- ▶ Turn the adjustable foot (B) another 90°.
- ▶ Appliance is aligned.

## 12 After setup

- ▶ Remove all transport packaging.
- ▶ Pull off the protective film from the outside of the housing.
- ▶ Pull off the protective film from the trim strips.
- ▶ Take off the protective film from the stainless steel rear panel.\*
- ▶ Clean the appliance. (see operating instructions)
- ▶ Note the type (model, number), appliance designation, appliance/serial number, purchase date and dealer's address.

## 13 Fitting the appliance into a kitchen recess

You can fit the appliance into a kitchen recess. (see Fig. 5)

To do this, position the appliance in a kitchen recess so that it protrudes from the kitchen recess by the thickness of the front. (see Fig. 6)

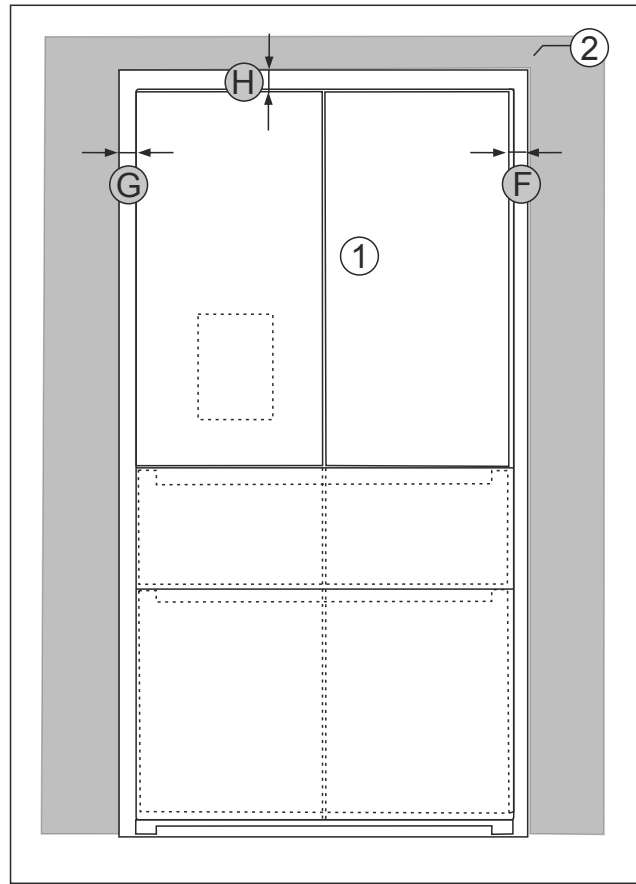


Fig. 5 Fully surrounded by kitchen cabinets

- (1) Appliance
- (2) Kitchen cabinet
- (G) Distance to the left side of the appliance
- (F) Distance to the right side of the appliance
- (H) Distance to the top

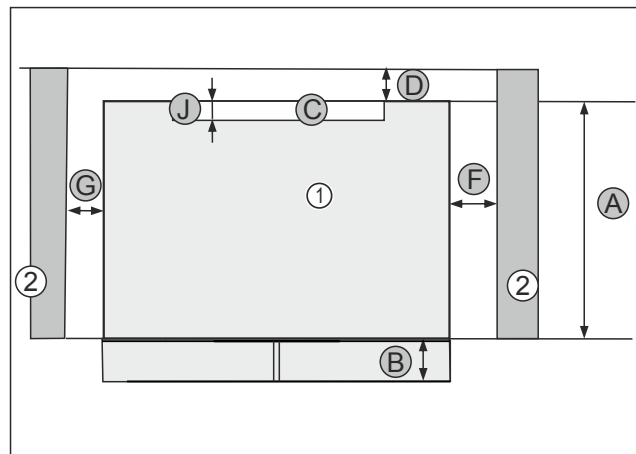


Fig. 6 Top view

# Fitting the appliance into a kitchen recess

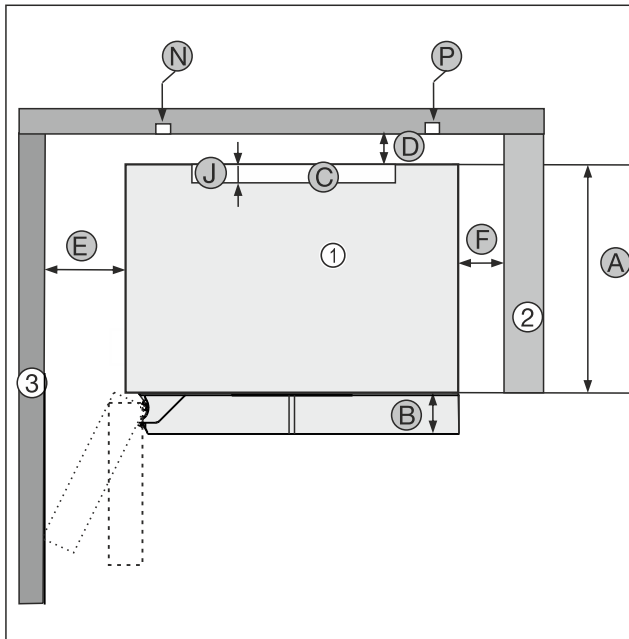


Fig. 7 Example illustration with a wall on the left

- (1)** Appliance
- (2)** Kitchen cabinet
- (3)** Wall
- (A)** Appliance depth
- (B)** Door depth
- (C)** Ventilation cross-section
- (D)** Distance of the rear of the appliance to the wall
- (E)** Distance of the appliance side to the wall
- (F)** Distance to the right side of the appliance
- (G)** Distance to the left side of the appliance
- (H)** Distance to the left side of the appliance
- (J)** Depth of the ventilation cross-section
- (N)** Breakthrough for water inlet
- (P)** Breakthrough for power connection

Installation dimensions	
<b>A</b>	635 mm (25 in)
<b>B</b>	110 mm (4 5/16 in)
<b>C</b>	At least 300 cm <sup>2</sup> (46.5 in <sup>2</sup> )
<b>D</b>	15 mm (9/16 in)
<b>E</b>	100 mm (3 15/16 in) with 90° door opening angle
<b>E</b>	220 mm (8 5/8 in) with 115° door opening angle For appliances with an IceCenter
<b>E</b>	230 mm (9 1/16 in) to an exterior wall
<b>F</b>	at least 4 mm (1/8 in)
<b>G</b>	at least 4 mm (1/8 in)
<b>H</b>	at least 25 mm (1 in)
<b>J</b>	at least 50 mm (1 15/16 in)

Installation dimensions	
<b>N</b>	110 mm (4 5/16 in)
<b>P</b>	145 mm (5 11/16 in)

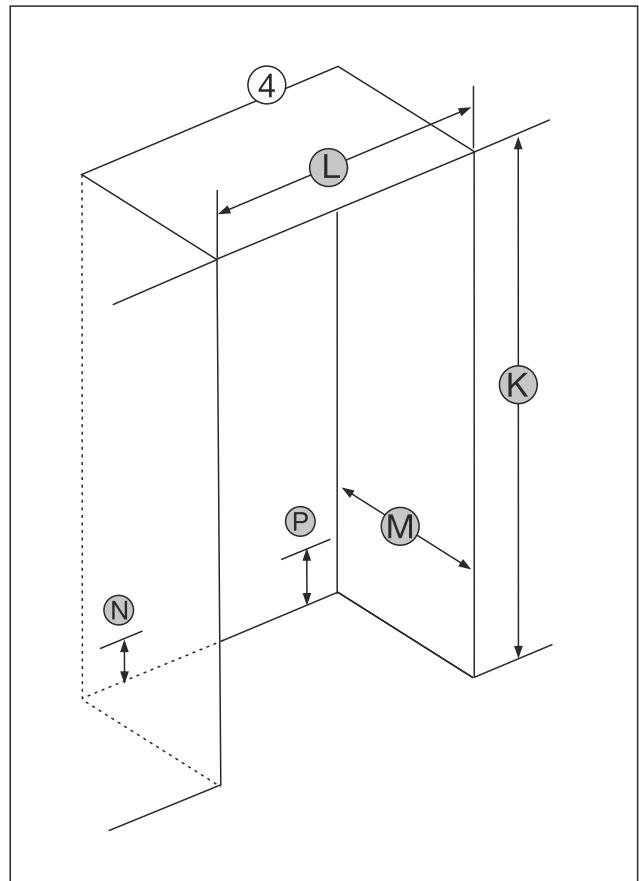


Fig. 8 Example illustration of the recess

- (4)** Recess
- (K)** Recess height
- (L)** Recess width
- (M)** Recess depth
- (N)** Breakthrough for water inlet
- (P)** Breakthrough for power connection

Recess dimensions	
<b>K</b>	1830 mm (72 in)
<b>L</b>	914 mm (36 in)
<b>M</b>	635 mm (25 in)
<b>N</b>	110 mm (4 5/16 in)
<b>P</b>	145 mm (5 11/16 in)



## WARNING

Risk of fire from short circuit!

- ▶ When setting up the appliance: Do not kink, trap, or damage the power cable.
- ▶ Do not operate the appliance with a defective power cable.

Make sure that the following requirements are fulfilled:

- ❑ Outlet is easily accessible and is not behind the appliance.
- ❑ Connection dimensions are taken into account. (see 19 Connecting the appliance to the power supply)
- ❑ Wall spacer brackets are mounted. (see 19 Connecting the appliance to the power supply)
- ▶ Push the appliance into the kitchen recess.

## 14 Disposal of packaging



### WARNING

Danger of suffocation from packaging materials and films!

- ▶ Do not allow children to play with packaging materials.

The packaging is made from recyclable materials:

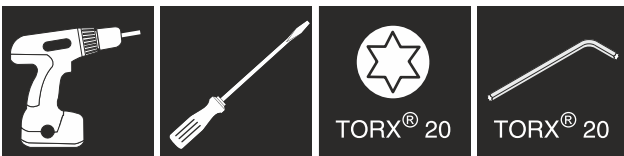
- Corrugated card/cardboard
- Parts made of foamed polystyrene
- Films and bags from polyethylene
- Packing bands from polypropylene
- Wood frame nailed together with a polyethylene window\*
- ▶ Take the packaging material to an official collection point.

## 15 Aligning the door and pull-out cart

The doors are aligned at the plant. If you determine that the vertical door gab or the gap between the fridge section and freezer section is not equal, Liebherr recommends to align the door at a later time.

The doors and the pull-out cart are aligned at the plant. If you determine that the vertical door gab or the gap between the fridge section and freezer section is not equal, Liebherr recommends to align the door at a later time.

### Tool



### 15.1 Aligning the cooling section

You can align the door at the top hinge angle bracket.

Make sure that the following requirements are fulfilled:

- ❑ The appliance is set up and aligned. (see 10 Setting up the device)

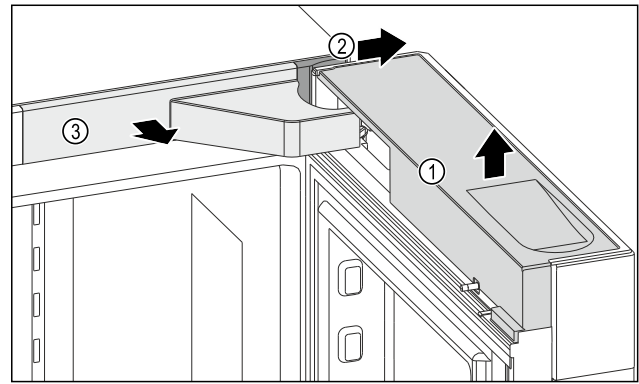


Fig. 9

- ▶ Open the door.
- ▶ Remove the cover Fig. 9 (1).
- ▶ Remove the cover Fig. 9 (2).
- ▶ Remove the cover Fig. 9 (3).



### WARNING

Risk of injury if the door falls out!

The door may fall out if you completely remove the screws on the hinge. This may lead to severe injuries.

- ▶ Loosen the screws and do not remove the screws completely.
- ▶ Hold the door.

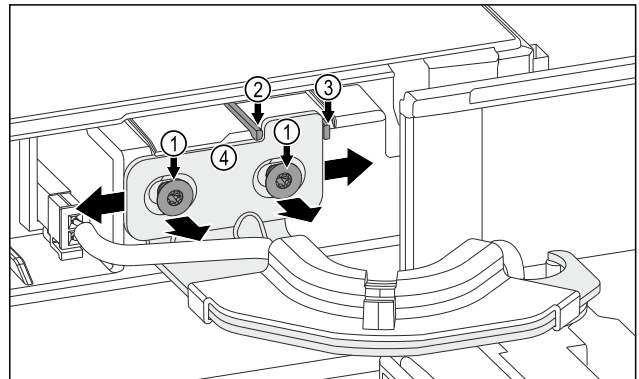


Fig. 10

- ▶ Loosen both screws Fig. 10 (1).
- ▶ Slide the door to the right: Remove the safety knob Fig. 10 (2).
- ▶ Slide the door to the left: Remove the safety knob Fig. 10 (3).

-or-

- ▶ Slide the door.
- ▶ The door's end position is reached: Tighten both screws Fig. 10 (1).
- ▶ The door is aligned.
- ▶ Attach the covers.

### 15.2 Aligning the freezer section door

You can align the door at the bottom hinge angle bracket.

## Connecting the appliance to the water supply

Make sure that the following requirements are fulfilled:

- ❑ The appliance is set up and aligned. (see 10 Setting up the device)

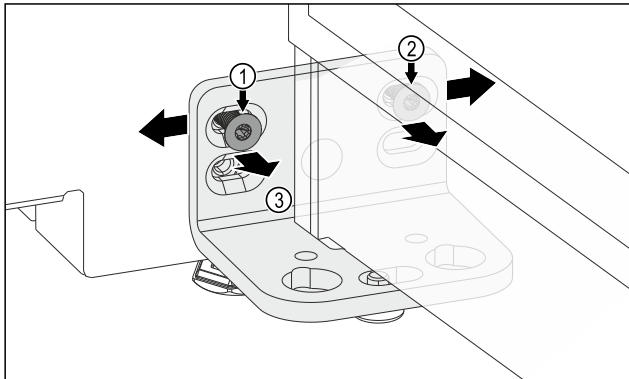


Fig. 11

- ▶ Open the door.
- ▶ Loosen screw Fig. 11 (1) and screw Fig. 11 (2). For screw Fig. 11 (2) you need a short hex key.
- ▶ Slide the door with the hinge angle bracket Fig. 11 (3) to the left.
- or-
- ▶ Slide the door with the hinge angle bracket Fig. 11 (3) to the right.
- ▶ The door's end position is reached: Tighten screw Fig. 11 (1) and screw Fig. 11 (2).
- ▶ The door is aligned.

### 15.3 Aligning the pull-out cart

You can align the pull-out cart with both mounting brackets.

Make sure that the following requirements are fulfilled:

- ❑ The appliance is set up and aligned. (see 10 Setting up the device)

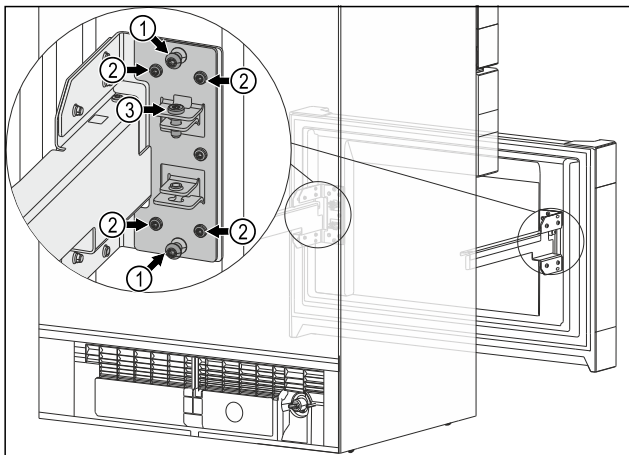


Fig. 12

- ▶ Pull out the pull-out cart as far as it will go.
- ▶ Remove the container.
- Align the pull-out cart horizontally:**
- ▶ Perform each step on the first hinge angle bracket first and then on the second.

- ▶ Remove both center screws Fig. 12 (1).
- ▶ Loosen all four screws Fig. 12 (2).
- ▶ Slide the pull-out cart to the left.
- or-
- ▶ Slide the pull-out cart to the right.
- ▶ The pull-out cart is aligned horizontally.

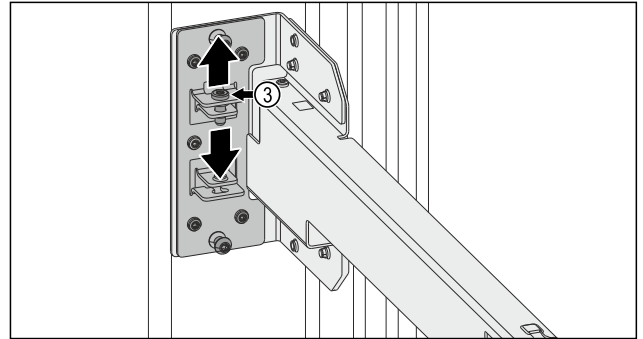


Fig. 13

**Align the pull-out cart vertically:**

- ▶ Perform the steps on the right or the left hinge angle bracket.
- ▶ Loosen the screw Fig. 13 (3).
- or-
- ▶ Tighten the screw Fig. 13 (3).
- ▶ The pull-out cart is aligned vertically.
- ▶ The pull-out cart's end position is reached: Tighten all four screws Fig. 12 (2).
- ▶ You do not need the center screws Fig. 12 (1) anymore.
- ▶ The pull-out cart is aligned.

## 16 Connecting the appliance to the water supply

Make sure that the following requirements are fulfilled:

- ❑ The dimensions for the water supply connection are known and complied with.
- ❑ The correct water pressure is maintained.
- ❑ Water is supplied to the appliance via a cold water pipe that can withstand the operating pressure and is connected to the drinking water supply.
- ❑ All equipment and devices used for the water supply comply with the applicable regulations in the country of use.
- ❑ The back of the appliance is accessible so that you can connect the appliance to the drinking water supply.
- ❑ A coupler between the R3/4 connection thread and the 1/4" OD copper pipe is supplied.
- ❑ There is a screen filter with a seal in the coupler. The screen filter with a seal is supplied.
- ❑ A **1/4" OD copper pipe** is used to connect the water supply to the solenoid valve. **This is not supplied with the appliance.**

# Connecting the appliance to the water supply

- ❑ There is an adaptor between the hose 1/4" OD copper pipe and the domestic water connection so that you can turn off the water supply if necessary.
- ❑ The adaptor is not directly behind the appliance and is easily accessible. This way, you can push the appliance as close as possible to the wall and can quickly turn off the faucet if necessary.

## WARNING

Risk of electric shock from water!

- ▶ Before connecting to the water hose: Disconnect the appliance from the mains.
- ▶ Before connecting to water lines: Shut off the water supply.
- ▶ Make sure that only qualified personnel connect the device to the drinking water supply.

## WARNING

Risk of poisoning due to contaminated water!

- ▶ Connect to potable water supply only.

## 16.1 Connecting the water pipe

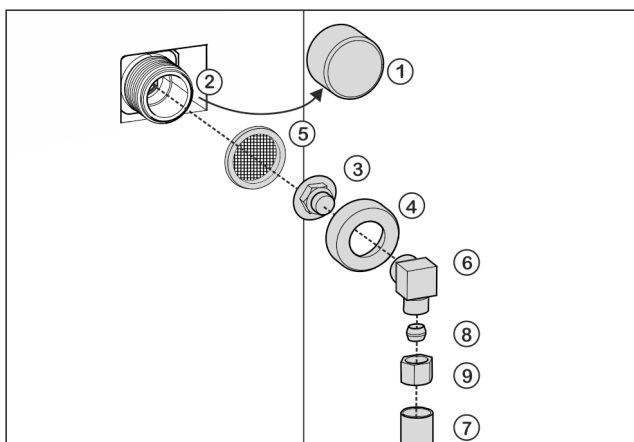


Fig. 14

- |                    |  |
|--------------------|--|
| (1) Cap            | (6) Angle piece                            |
| (2) Solenoid valve | (7) Water pipe (e. g. 1/4" OD copper pipe) |
| (3) Coupler        | (8) Clamp ring                             |
| (4) Union nut      | (9) Nut                                    |
| (5) Screen filter  |  |

### NOTICE

Risk of damage from incorrect installation!

- ▶ Do not damage or kink the water pipe (e. g. copper pipe) during installation.
- ▶ Do not damage or kink the water pipe (e. g. copper pipe) when setting up the appliance.

### Connecting the coupler to the appliance:

- ▶ Remove cap Fig. 14 (1) from solenoid valve Fig. 14 (2).
- ▶ Insert coupler Fig. 14 (3) into union nut Fig. 14 (4).

### NOTICE

The filter can be damaged if not correctly fitted!

- ▶ Observe the following instruction when putting in the filter.
- ▶ Insert the filter Fig. 14 (5) with the recess pointing down towards the coupler Fig. 14 (3).

### NOTICE

The thread can be damaged if the union nut is overtightened!

- ▶ Observe the following instructions for fitting the union nut on the solenoid valve.
- ▶ Screw the union nut Fig. 14 (4) by hand onto the thread of the solenoid valve Fig. 14 (2) until it is firmly in place.
- ▶ The coupler is connected to the appliance.

### 90° bend in the water connection: Connecting the water hose to the elbow connector:

- ▶ Screw on angle piece Fig. 14 (6).
- ▶ Connect the water pipe Fig. 14 (7) (e. g. 1/4" OD copper pipe) with the clamp ring Fig. 14 (8) and nut Fig. 14 (9) to the elbow connector Fig. 14 (6).
- ▶ The water pipe is connected to the elbow connector.

-or-

### No bend in the water connection: Connecting the water hose to the coupler:

- ▶ If necessary: Fasten the water pipe Fig. 14 (7) to the housing with the guide clip.
- ▶ Put angle piece Fig. 14 (6) to one side.
- ▶ Connect the water pipe Fig. 14 (7) (e. g. 1/4" OD copper pipe) with the clamp ring Fig. 14 (8) and nut Fig. 14 (9) to the coupler Fig. 14 (3).
- ▶ If necessary: Fasten the water pipe Fig. 14 (7) to the housing with the guide clip.
- ▶ The water pipe is connected to the coupler.

### Fitting the adaptor between the water pipe and the water supply:

- ▶ Connect the water pipe (e. g. 1/4" OD copper pipe) to the water supply with a suitable adaptor.
- ▶ The water is connected to the water supply with an adaptor.

## 16.2 Check the water system

Before you completely install the appliance, Liebherr recommends checking the water system for leaks.

- ▶ Insert the Water & Ice center's water tank. (see 17 Water tank)
- ▶ Insert the Water & Ice center's water filter. (see 18 Water filter)
- ▶ Slowly turn on the water feed.
- ▶ Check the hose, water feed and connections for leaks.
- ▶ The water system has now been checked for leaks.
- ▶ The water system is not leaking: You can install up the appliance completely.

# Water tank

## Note

**Water & Ice center:** You must put the Water & Ice center into operation before using it for the first time. To do so, you must first vent and clean the water system. (See the Quick Start Guide or the operating instructions)

## 17 Water tank

The water tank of the Water & Ice center can be found behind the drawer on the left in the fridge section.

### 17.1 Inserting the water tank

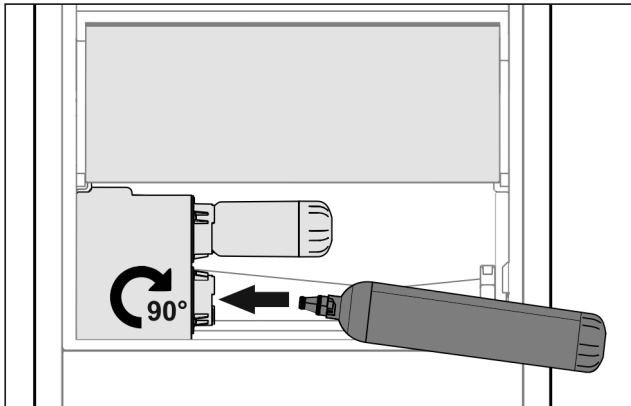


Fig. 15

- ▶ Remove the drawer.
- ▶ Insert the water tank and turn approx. 90° to the right until it engages.
- ▶ Check that the water tank is sealed and no water leaks out.
- ▶ Insert the drawer.
- ▶ Vent the water system. (see Quick Start Guide or User Instructions)

## Note

The water tank is available as a spare part.

## 18 Water filter

The water filter can be found behind the drawer on the left-hand side in the fridge section.

It absorbs deposits in the water and reduces the taste of chlorine.

- ❑ Replace the water filter at least every 6 months under the specified usage conditions or if the flow rate drops significantly.
- ❑ The water filter contains carbon and can be disposed of with the regular household waste.

## Note

The water filter can be purchased from the Liebherr Service Center. The address for your respective country can be found on the back of the instructions.

## 18.1 Installing the water filter

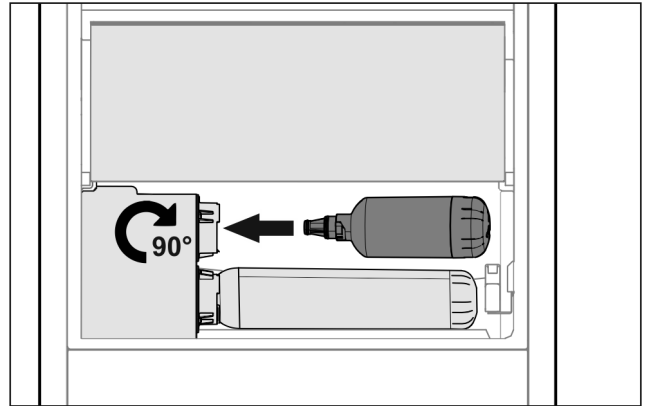


Fig. 16

Make sure that the following conditions are met:

- ❑ Water pressure is maintained. (see 7 Water connection)
- ▶ Remove the drawer.
- ▶ Insert the water filter and turn clockwise approx. 90° until it engages.
- ▶ Make sure the filter does not leak and no water is coming out.
- ▶ Insert the drawer.

## Note

New water filters may contain suspended solids.

- ▶ After changing the filter: Draw and dispose of 3 l (3 qt) water at the Water & Ice center.

- ▶ The water filter is now ready for use.

## 19 Connecting the appliance to the power supply



### WARNING

Danger of electric shock and injury due to damaged appliance or damaged mains cable!

Cuts and fatal injury. If the appliance or the mains cable is damaged during transport, you may be electrocuted. You could also cut yourself on damaged parts of the appliance housing.

- ▶ Check the appliance and the mains cable for damage after transport.
- ▶ Never put the appliance into operation if the appliance or the mains cable are damaged.
- ▶ Contact Customer Service.

You can connect your appliance to the mains using the power cable supplied separately. The mains power cable has an appliance coupler at one end and a mains plug at the other end.

Make sure that the following requirements are fulfilled:

- The appliance and power cable are undamaged.

## Connecting the appliance to the power supply

---

- The appliance is set up in accordance with the regulations. (see 10 Setting up the device)
- Requirements for the electrical connection are met.
- Dimensions for connection in accordance with regulations are known and observed. (see 6 Connection dimensions for the power supply)
- Mains voltage and frequency correspond to the specifications on the type plate.
- The socket is grounded and fused in accordance with regulations.
- The tripping current for the fuse is between 10 A and 16 A.
- Outlet is easily accessible and is not behind the appliance. (see 6 Connection dimensions for the power supply)

---

### NOTICE

Danger of damage to incorrect operation!  
Damage to the electrical components of the appliance.  
▶ Only use the supplied power cable.

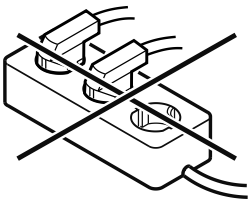
---



### WARNING

Danger of fire due to incorrect connection!  
Burns.  
Damage to the appliance.  
▶ Do not use an extension cord.  
▶ Do not use a multipoint connector strip.

---



---

### NOTICE

Danger of damage to incorrect connection!  
Damage to the appliance.  
▶ Do not connect the appliance to a stand-alone inverter, e.g. solar power systems and petrol generators.  
▶ Connect the mains plug of the power cord to the power supply. Ensure the main plug is firmly plugged into the outlet.  
▶ If no action is taken within 60 seconds: Standby symbol fades or disappears.  
▶ Appliance is connected. For initial commissioning, see the next chapter or the operating instructions.



[home.liebherr.com/fridge-manuals](https://home.liebherr.com/fridge-manuals)

**EN** Combined fridge-freezer

Issue date: 20251208

**Part number index: 7086777-00**

For Service in the U.S.: Liebherr Service Center  
Toll Free: 1-866-LIEBHER or 1-866-543-2437  
Service-appliances.us@liebherr.com  
PlusOne Solutions, Inc.  
3501 Quadrangle Blvd, Suite 120  
Orlando, FL 32817

For Service in Canada: Liebherr Service Center  
Toll Free: 1-888-LIEBHER or 1-888-543-2437  
www.euro-parts.ca  
EURO-PARTS CANADA  
39822 Belgrave Road, Belgrave, Ontario, N0G 1E0  
Phone: (519) 357-3320 | Fax: (519) 357-1326