



## Installation Guide

Quality, Design and Innovation



[home.liebherr.com/fridge-manuals](http://home.liebherr.com/fridge-manuals)





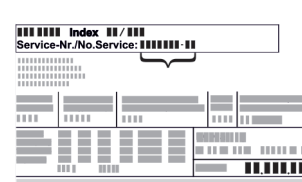
# LIEBHERR





# General safety instructions

## Contents

<b>1</b>	<b>General safety instructions.....</b>	<b>2</b>
<b>2</b>	<b>Installation requirements.....</b>	<b>3</b>
2.1	Installation site.....	3
2.2	Position in space.....	3
<b>3</b>	<b>Installation dimensions.....</b>	<b>3</b>
<b>4</b>	<b>Ventilation requirements.....</b>	<b>4</b>
<b>5</b>	<b>Connection dimensions for the power supply.....</b>	<b>4</b>
<b>6</b>	<b>Transporting the appliance.....</b>	<b>4</b>
6.1	Transporting the appliance for initial use.....	4
6.2	Transporting the appliance after initial use.....	4
<b>7</b>	<b>Unpacking the appliance.....</b>	<b>5</b>
<b>8</b>	<b>Mounting wall spacers*.....</b>	<b>5</b>
<b>9</b>	<b>Setting up the appliance.....</b>	<b>5</b>
<b>10</b>	<b>Setting up the appliance so that it is level.....</b>	<b>5</b>
<b>11</b>	<b>After setting up.....</b>	<b>5</b>
<b>12</b>	<b>Installing multiple appliances.....</b>	<b>5</b>
<b>13</b>	<b>Integrating the appliance into a kitchen unit.....</b>	<b>6</b>
13.1	Niche dimensions for appliances with recessed handles*.....	6
13.2	Niche dimensions for appliances with lever handle*.....	7
<b>14</b>	<b>Disposing of packaging.....</b>	<b>7</b>
<b>15</b>	<b>Door hinge change.....</b>	<b>7</b>
15.1	Removing the door.....	8
15.2	Moving the upper bearing parts to the other side.....	8
15.3	Moving the lower bearing parts to the other side.....	9
15.4	Moving the door bearing parts to the other side....	10
15.5	Moving the handles to the other side*.....	10
15.6	Fitting the door.....	11
15.7	Aligning the door.....	12
15.8	Fitting the covers.....	12
<b>16</b>	<b>Connecting the appliance to the power supply....</b>	<b>12</b>

The manufacturer is continually working on the further development of all types and models. Please be aware that we reserve the right to make changes to the shape, equipment and technology.

Symbol	Explanation
	<p><b>Read instructions</b></p> <p>Please read the information in these instructions carefully to understand all of the benefits of your new appliance.</p>
	<p><b>Additional information on the Internet</b></p> <p>The digital manual with additional information and in other languages can be found via the QR code on the front of the manual or by entering the service number at <a href="http://home.liebherr.com/fridge-manuals">home.liebherr.com/fridge-manuals</a>.</p> <p>The service number can be found on the serial tag:</p>  <p style="text-align: right;"><i>Fig. Example illustration</i></p>

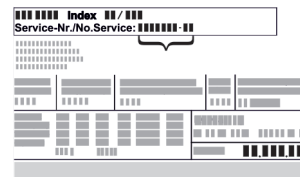
Symbol	Explanation
	<p><b>Check appliance</b></p> <p>Check all parts for transport damage. If you have any complaints, please contact your agent or customer service.</p>
	<p><b>Differences</b></p> <p>These instructions apply to a range of models, so differences are possible. Sections that apply to certain models only are marked with an asterisk (*).</p>
	<p><b>Instructions and results</b></p> <p>Instructions are marked with a ▶.</p> <p>Results are marked with a ▷.</p>
	<p><b>Videos</b></p> <p>Videos about the appliances are available on the YouTube channels of Liebherr-Hausgeräte.</p>

### Open source licences:




The appliance contains software components that use open source licences. Information on the open source licences used can be found here: [home.liebherr.com/open-source-licences](http://home.liebherr.com/open-source-licences)

## 1 General safety instructions

- Please keep this assembly manual in a safe place so you can refer back to it at any time.
- If you pass the appliance on, please hand this assembly manual to the next user.
- Read this assembly manual carefully before installation and use to ensure safe and correct use of the appliance. Follow the instructions, safety instructions and warning messages included at all times. They are important for ensuring you can operate and install the appliance safely and without any problems.
- First read the general safety instructions in the “General safety instructions” section of the **operating instructions**, which accompany these installation instructions, and follow them. If you cannot find the **operating instructions**, you can download the **operating instructions** from the internet by entering the service number at [home.liebherr.com/fridge-manuals](http://home.liebherr.com/fridge-manuals). The service number can be found on the serial tag:



- **Observe the warning messages and other detailed information in the other sections when installing the appliance:**

	DANGER	identifies a situation involving direct danger which, if not obviated, may result in death or severe bodily injury.
	WARNING	identifies a dangerous situation which, if not obviated, may result in death or severe bodily injury.
	CAUTION	identifies a dangerous situation which, if not obviated, may result in minor or medium bodily injury.

	NOTICE	identifies a dangerous situation which, if not obviated, may result in damage to property.
	Note	identifies useful instructions and tips.

## 2 Installation requirements

The installation conditions are crucial to ensure that you can operate your appliance safely, efficiently and without problems.

- Observe all safety instructions.
- Consider the location and position in the room.



### WARNING

Danger of fire due to incorrect positioning!

If the mains cable or plug touches the back of the appliance, the vibration can damage the mains cable or the plug resulting in a short circuit.

- ▶ Make sure the mains cable is not trapped under the appliance when you position the appliance.
- ▶ Stand the appliance so that it is not touched by connectors or main cables.
- ▶ Do not connect any appliances to sockets in the area of the back of the appliance.
- ▶ Do **not** place and operate multi-sockets/power distributors and other electronic devices (such as halogen transformers) at the back of the appliances.



### WARNING

Fire hazard due to dampness!

If live parts or the mains lead become damp this may cause short circuits.

- ▶ The appliance is designed for use in enclosed areas. Do not operate the appliance outdoors or in areas where it is exposed to splash water or damp conditions.



### WARNING

Leaking coolant and oil!

Fire. The coolant contained in the appliance is eco-friendly, but also flammable. The oil contained in the appliance is flammable. Escaping coolant and oil can ignite if the concentration is high enough and in contact with an external heat source.

- ▶ Do not damage the pipelines of the coolant circuit and the compressor.

## 2.1 Installation site

- A dry and well-ventilated room is an optimum installation location.
- If the appliance is installed in a very damp environment, condensation may form on the appliance exterior. Always make sure there is good ventilation and aeration at the installation site.
- The more refrigerant there is in the appliance, the larger the room must be in which it is located. In rooms that are too small, a leak can produce a flammable gas/air mixture. For every 8 g of refrigerant, the installation room must be at least 1 m<sup>3</sup> in size. Information on the refrigerant contained is given on the type plate inside the appliance.
- The floor on which the appliance stands must be horizontal and level.

## 2.2 Position in space

- Do not place the appliance in direct sunlight or near radiators or similar sources of heat.
- Always position the appliance with the rear directly against the wall, or with wall spacer brackets attached (see below) then with these directly against the wall.\*
- Always position the appliance with the rear directly on the wall.\*
- Use in hazardous areas is not permitted.

## 3 Installation dimensions

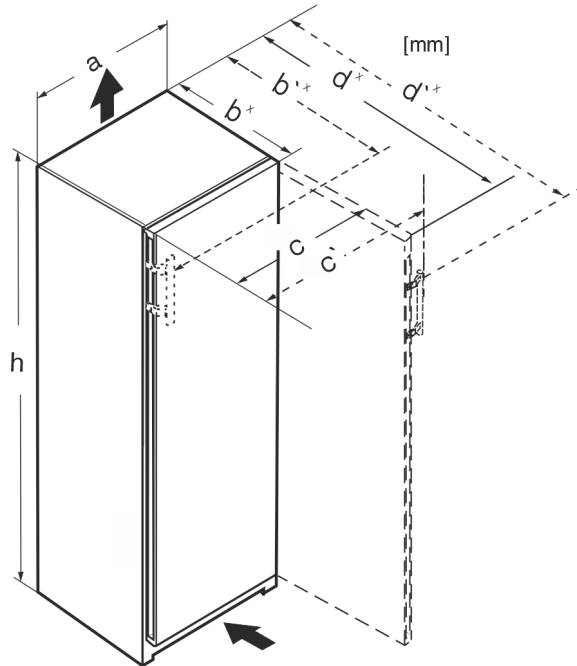


Fig. 1

Dimensions without lever handle (mm):					
	h	a	b	c	d
RB/a 42../i	1255	597	675 <sup>x</sup>	609	1215 <sup>x</sup>
FN/c/d/e 42.. GN 42Ve04 / GN 42Vd24	1255	597	675 <sup>x</sup>	609	1215 <sup>x</sup>
FN/c/d/e 46../i GN 46Ve05 / GN 46Vd25 GNeu 1460DI	1455	597	675 <sup>x</sup>	609	1215 <sup>x</sup>
FN/c/d/e 50../i GN 50Ve06 / GN 50Vd26	1655	597	675 <sup>x</sup>	609	1215 <sup>x</sup>
S/FN/d/c/sdd/std/bdd/sde /sfd 52../i GN 52Ve07 / GN 52Vd2i SGN 52Vd27	1855	597	675 <sup>x</sup>	609	1215 <sup>x</sup>
FN/a/c/d/e 66 ../i	1455	698	760 <sup>x</sup>	710	1402 <sup>x</sup>
FN/c/d/e 70 ../i	1655	698	760 <sup>x</sup>	710	1402 <sup>x</sup>
FN/c/d/e 72 ../i	1855	698	760 <sup>x</sup>	710	1402 <sup>x</sup>

Dimensions with lever handle (mm):					
	h	a	b'	c'	d'
RB/a 42../i	1255	597	719 <sup>x</sup>	654	1222 <sup>x</sup>
FN/b/c/d/e 42..(i)	1255	597	719 <sup>x</sup>	654	1222 <sup>x</sup>

# Ventilation requirements

Dimensions with lever handle (mm):					
FN/c/d/e 46../i GNex 1460 ci	1455	597	719 <sup>x</sup>	654	1222 <sup>x</sup>
FN/c/d/e 50../i LTGN-234	1655	597	719 <sup>x</sup>	654	1222 <sup>x</sup>
S/FN/d/c/sdd/std/bsd/sde 52../i LTGN-270	1855	597	719 <sup>x</sup>	654	1222 <sup>x</sup>
FN/c/d/e 66 ../i	1455	698	804 <sup>x</sup>	754	1408 <sup>x</sup>
FN/c/d/e 70 ../i	1655	698	804 <sup>x</sup>	754	1408 <sup>x</sup>
FN/c/d/e 72 ../i	1855	698	804 <sup>x</sup>	754	1408 <sup>x</sup>

<sup>x</sup> For appliances with supplied wall spacers, the dimension must be increased by 15 mm (see 8 Mounting wall spacers\*).

## 4 Ventilation requirements

### NOTICE

Danger of overheating due to insufficient air ventilation! The compressor may be damaged if there is insufficient air ventilation.

- ▶ Take care to ensure adequate air ventilation.
- ▶ Observe the ventilation requirements.

If the appliance is integrated into a kitchen unit, the following ventilation requirements must be observed:

- As a general rule: the larger the ventilation cross section, the more energy the appliance will be able to save.

### Note

If the spacing between the rear of the appliance and the wall is less than 51 mm, energy consumption may increase.\*

## 5 Connection dimensions for the power supply

The connection to the power supply is on the rear of the appliance. To connect your appliance safely, ensure that the following requirements are met:

- Dimensions for the connection to the power supply are known and are adhered to. See table below.
- Connection to the power supply according to the instructions. (see 16 Connecting the appliance to the power supply)

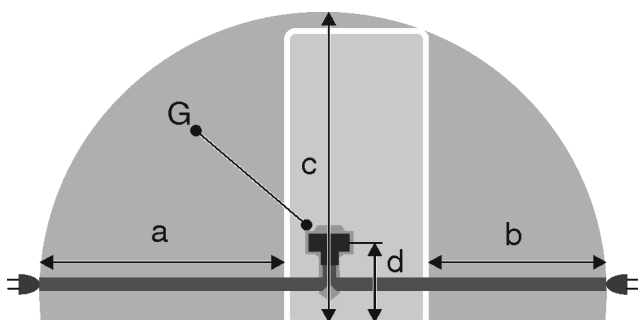


Fig. 2 Fridge/freezer combinations / freezers / full-capacity BioFresh appliances

- (a) Maximum available length of the mains connection cable
- (d) Gap between appliance plug and floor

- (b) Maximum available length of the mains connection cable
- (c) Maximum available vertical length of the mains connection cable
- (G) Appliance plug

For 600 mm wide appliances:	
a	~ 1800 mm
b	~ 1400 mm
c	~ 2100 mm
d	~ 200 mm

## 6 Transporting the appliance

### 6.1 Transporting the appliance for initial use

Ensure that the following requirements are met:

- The appliance is packaged.\*
- The appliance is upright.

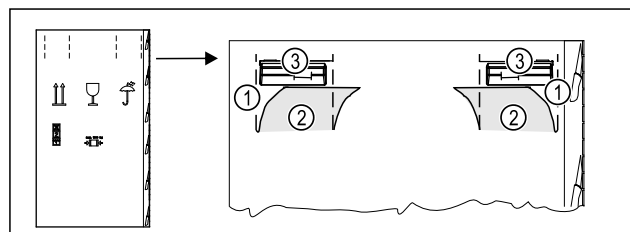


Fig. 3

- ▶ Press the packaging cardboard into the perforation Fig. 3 (1) at the top.
- ▶ Pull out any tabs Fig. 3 (2) that have been pushed in.
- ▶ Carrying handle Fig. 3 (3) visible on the right and left.
- ▶ Hold the appliance by the carrying handles Fig. 3 (3).
- ▶ Transport the appliance with the help of two people.\*
- ▶ Unpacking the appliance. (see 7 Unpacking the appliance)

### 6.2 Transporting the appliance after initial use

Observe the following instructions if you wish to transport or move the appliance again after initial use.

Ensure that the following requirements are met:

- The appliance is unpacked.
- The appliance is emptied.
- The appliance is upright.
- Door is secured against accidental opening.
- Adjustable foot on the door is turned in.

If you want to transport the appliance over a short distance:

- ▶ Tilt the appliance slightly backwards.
- ▶ Hold the appliance by the carrying handles.
- ▶ Move the appliance using the rollers on the ground.

If you want to transport the appliance over a greater distance:

- ▶ Hold the appliance by the carrying handles.

After transport:

- ▶ Unscrew the adjustable foot on the door.
- ▶ Align the appliance. (see 10 Setting up the appliance so that it is level)

## 7 Unpacking the appliance

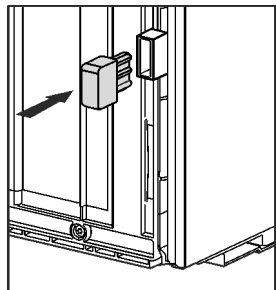
Before you connect the appliance, report any damage immediately to the delivery company.

- ▶ Check the appliance and the packaging for damage during transport. Contact the supplier immediately if you suspect any level of damage.
- ▶ Remove all materials from the back or the side walls of the appliance that may prevent proper installation or ventilation.
- ▶ Remove all protective films from the appliance. Do not use sharp or pointed objects for this.
- ▶ Take the power cable from the rear of the appliance. Remove the cable brackets when you do this, otherwise there will be noise caused by vibrations!

## 8 Mounting wall spacers\*

With wall spacers, your device achieves the declared energy consumption and no condensation forms in high ambient humidity. The device is fully functional without the spacer brackets, but its energy consumption will be slightly higher.

If you insert the wall spacers, then the device depth increases by approx. 15 mm.\*



- ▶ Appliance with enclosed wall spacers: Insert the wall spacers on the rear of the appliance at the bottom left and right.

## 9 Setting up the appliance



### CAUTION

Risk of injury due to heavy appliance!

- ▶ Have two people transport the appliance to its installation site.



### WARNING

Risk of fire due to short circuit!

- ▶ When you set the appliance up: do not kink, jam or damage the mains cable.
- ▶ The appliance must not be operated with a defective mains cable.



### WARNING

Fire hazard and danger of damage!

- ▶ Do not place appliances emitting heat e.g. microwaves, toasters etc. on the appliance!

Ensure that the following conditions are met:

- Only move the device when it is not loaded.
- Only install the appliance with help.
- ▶ Remove the mains cable from the package.

- ▶ Plug the mains cable's IEC socket completely into the appliance plug on the back of the appliance. Ensure that the IEC socket is tight.
- ▶ Use a cord to lay the mains plug to a freely accessible socket if required.

## 10 Setting up the appliance so that it is level

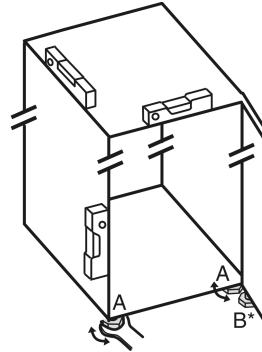


Fig. 4

- ▶ Unscrew the adjustable feet Fig. 4 (A) using the enclosed open-end spanner and a spirit level until the appliance is firmly aligned and level.



### CAUTION

Risk of injury or damage from the appliance tipping or the door falling open!

If the additional adjustable foot on the base support is not correctly positioned on the floor, there is a risk of the door falling open or the appliance tipping. This can lead to injury or property damage.

- ▶ Unscrew the additional adjustable foot on the swap bearing block as instructed.

- ▶ Unscrew the adjustable foot Fig. 4 (B) on the swap bearing block with the enclosed open-end spanner until it rests on the floor.

- ▶ Turn the adjustable foot Fig. 4 (B) 90° further.

- ▶ The appliance is aligned.

## 11 After setting up

- ▶ Remove all transport safety components.
- ▶ Take off the protective film from the exterior of the appliance.
- ▶ Take off the protective film from the trim panels and drawer fronts.\*
- ▶ Take off the protective film from the stainless steel rear panel.
- ▶ Clean the appliance. (see operating instructions)
- ▶ Note the type (model, number), appliance designation, appliance/serial number, purchase date and dealer's address.

## 12 Installing multiple appliances

The appliances have been developed for different installation methods. If you wish to install several appliances next to each other or on top of each other, ensure that the following requirements are met:

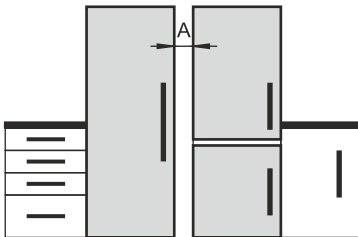
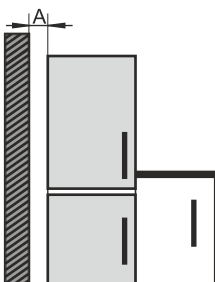
- Only install appliances next to or on top of each other if they have been developed for this.
- Observe notices and the following table.

# Integrating the appliance into a kitchen unit

## NOTICE

Risk of damage due to condensate!

- ▶ Do not place the appliance directly next to another cooling/refrigeration unit.

Model	Installation method
All models	Standalone
Models with a model designation starting with <b>S...</b>	Side-by-Side (SBS)
Models without side wall heating	 <p><b>Next to each other:</b> Install with gap <b>A</b> of 70 mm between the appliances. If you do not comply with this gap, condensation will form on the side walls between the appliances.</p>  <p><b>On an exterior wall:</b> Install with gap <b>A</b> as with installation next to each other. If you do not comply with this gap, condensation may form on the appliance's side wall.</p>

Models and their installation method

Assemble the appliances according to the separate installation instructions.

## 13 Integrating the appliance into a kitchen unit

The appliance can be integrated into a kitchen unit. Please observe the following installation conditions:

- If you fit a stacking cabinet above the appliance, you must allow for a ventilation cross-section with the appropriate depth at the rear of the stacking cabinet.
- If you place the appliance with the hinges next to a wall, you must take the distance to the side of the appliance into account.
- To ensure that the door can be opened fully, the appliance must protrude beyond the front thickness. Depending on the niche depth, the appliance may protrude further.



## WARNING

Risk of fire due to short circuit!

- ▶ When you set the appliance up: do not kink, jam or damage the mains cable.
- ▶ The appliance must not be operated with a defective mains cable.

Ensure that the following requirements are met:

- The socket is easily accessible and is not behind the appliance.
- Ventilation requirements are met (see 4 Ventilation requirements).
- Connection dimensions are taken into account. (see 16 Connecting the appliance to the power supply)
- Wall spacers are fitted.\*

### 13.1 Niche dimensions for appliances with recessed handles\*

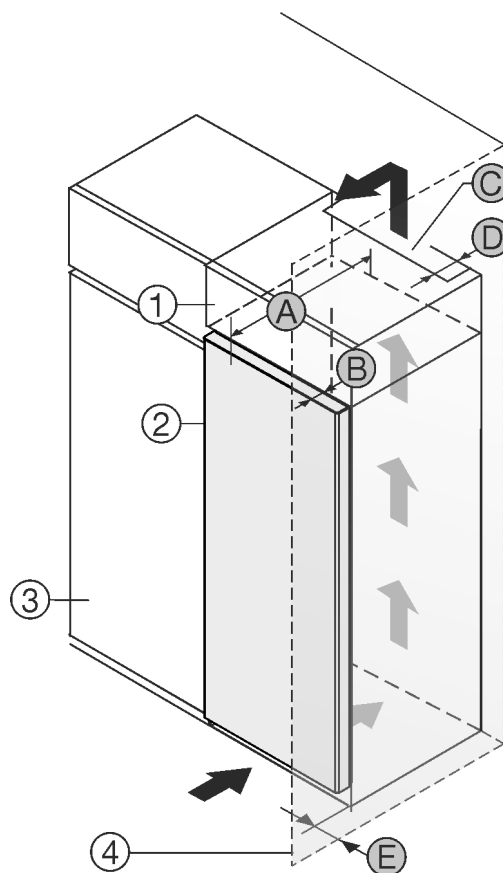


Fig. 5

- (1) Top Unit
- (2) Appliance
- (3) Kitchen cupboard
- (4) Wall
- (A) Appliance depth
- (B) Door depth
- (C) Ventilation cross-section
- (D) Distance from rear of the appliance
- (E) Distance to the side of the appliance

Appliances with a recessed grip:	
A	675 mm*
B	75 mm
C	min. 300 cm <sup>2</sup>
D	min. 50 mm
E	min. 13 mm

## 14 Disposing of packaging



### WARNING

Danger of suffocation due to packing material and plastic film!

► Do not allow children to play with packing material.

The packaging is made of recyclable materials:

- corrugated board/cardboard
- expanded polystyrene parts
- polythene bags and sheets
- polypropylene straps
- nailed wooden frame with polyethylene panel\*

► Take the packaging material to an official collecting point.

## 15 Door hinge change

### Tools



Fig. 7

### NOTICE

Risk of damage due to door collision!

Damage to the appliances with Side-by-Side positioning. If you set up two appliances next to each other in a specific Side-by-Side arrangement, the door hinge of both appliances is preset at the factory.

► Side-by-Side positioning: Do not change the door hinge.

These sections apply for appliances **without a soft stop mechanism**:

- For appliances **without** a soft stop mechanism
- For all appliances

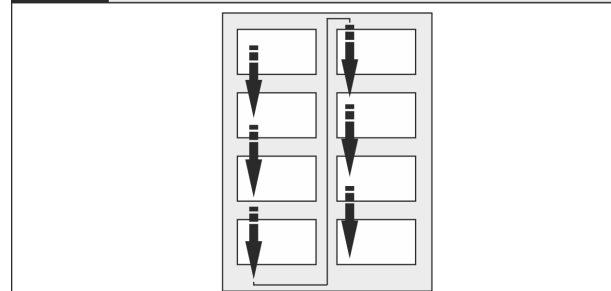


Fig. 8

Remember the reading direction.

Appliances with recessed handle and glass front / stone front:

A	682 mm <sup>x</sup>
B	82 mm
C	min. 300 cm <sup>2</sup>
D	min. 50 mm
E	min. 20 mm

<sup>x</sup> On devices with wall spacer brackets, this dimension increases by 15 mm.\*

## 13.2 Niche dimensions for appliances with lever handle\*

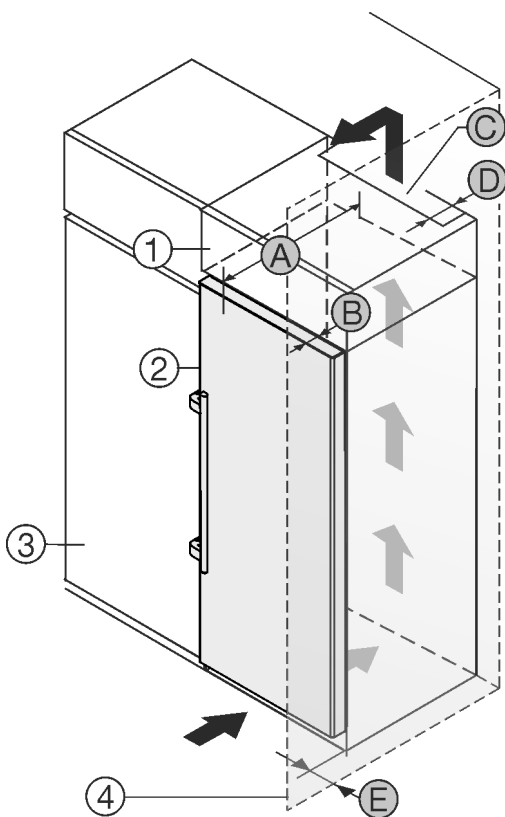


Fig. 6

- (1) Top Unit
- (2) Appliance
- (3) Kitchen cupboard
- (4) Wall
- (A) Appliance depth
- (B) Door depth
- (C) Ventilation cross-section
- (D) Distance from rear of the appliance
- (E) Distance to the side of the appliance

Dimensions with lever handle:

A	675 mm <sup>x</sup>
B	75 mm
C	min. 300 cm <sup>2</sup>
D	min. 50 mm
E	min. 57 mm

<sup>x</sup> On devices with wall spacer brackets, this dimension increases by 15 mm.\*

# Door hinge change

## 15.1 Removing the door

### Note

- ▶ Remove any food from the door racks before removing the door, so that no food falls out.

### For appliances without a soft stop:

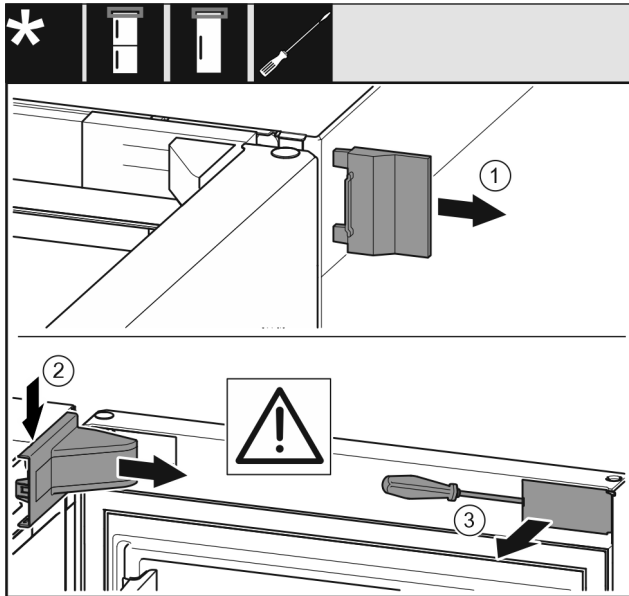


Fig. 9

- ▶ Open the door.

### NOTICE

Risk of damage!

If the door seal is damaged, the door may fail to close properly and the cooling will be inadequate.

- ▶ Do not damage the door seal with the screwdriver!

- ▶ Remove the outer cover Fig. 9 (1).
- ▶ Disengage and remove the swap bearing block cover Fig. 9 (2).
- ▶ Use a slotted screwdriver to unlatch the trim Fig. 9 (3) and swing it to the side.

### For all appliances:

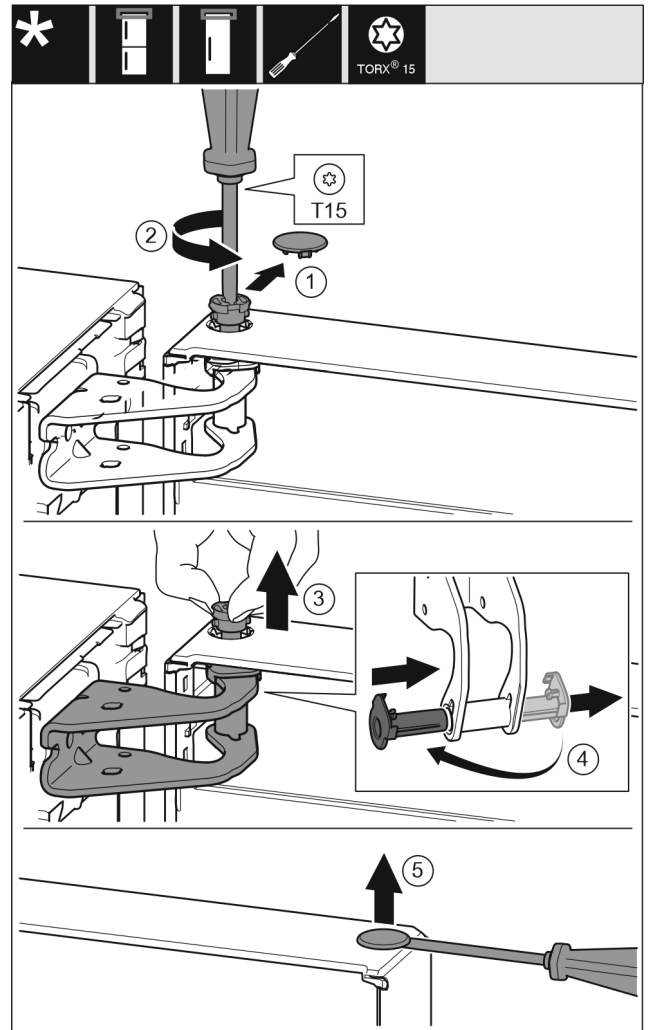


Fig. 10



### CAUTION

Risk of injury if the door tips!

- ▶ Take good hold of the door.
- ▶ Set down the door carefully.

- ▶ Lift the door and place it to one side.

## 15.2 Moving the upper bearing parts to the other side

### For all appliances:



### WARNING

Danger of injury due to door falling out!

If the bearing parts are not screwed on tightly enough, the door may fall out. This can result in serious injuries. In addition, the door may not close with the result that the appliance does not cool properly.

- ▶ Screw on the bearing brackets/bearing pins tightly with 4 Nm.
- ▶ Check all screws and retighten them if necessary.

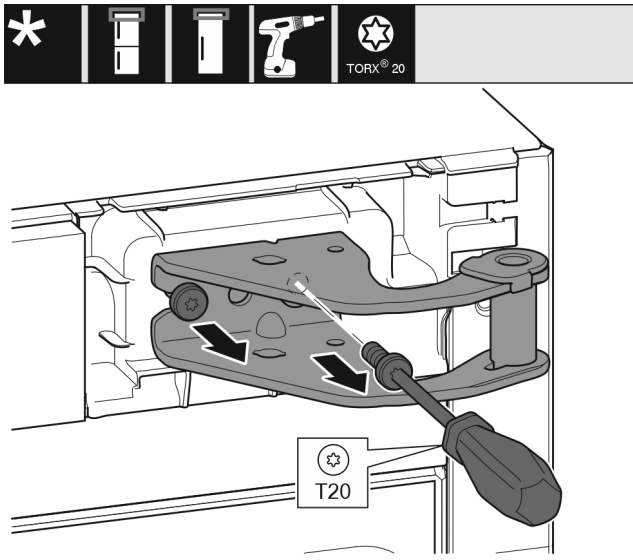


Fig. 11

- ▶ Use screwdriver to unscrew both screws.
- ▶ Lift up and remove the bearing bracket.

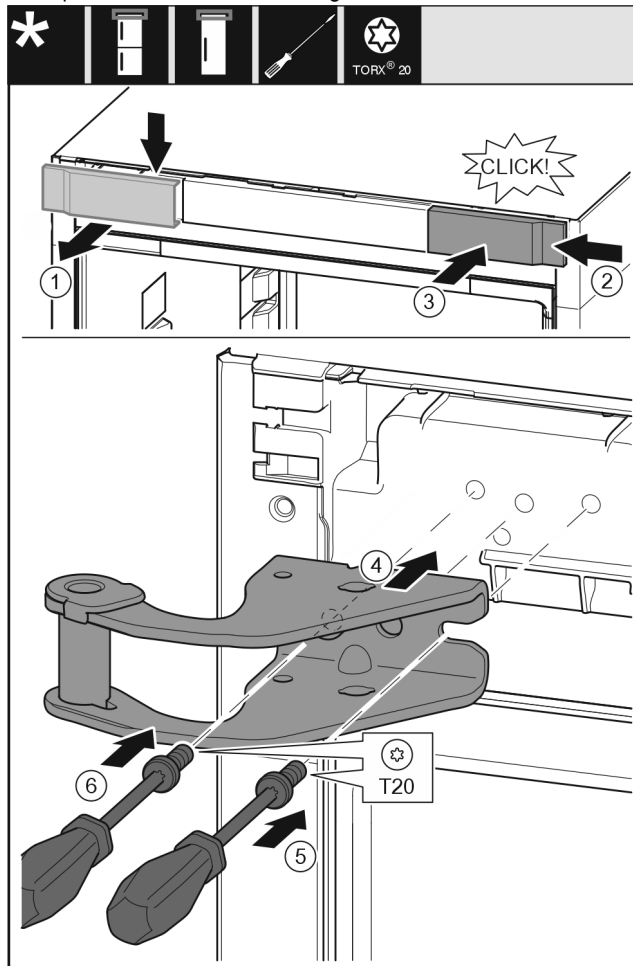


Fig. 12

- ▶ Remove the cover Fig. 12 (1) from above towards the front.
- ▶ Turn the cover Fig. 12 (2) by 180° and attach to the other side from the right.
- ▶ Engage the cover Fig. 12 (3).
- ▶ Place the top swap bearing block Fig. 12 (4).
- ▶ Use screwdriver Fig. 12 (5) to place the screw and tighten it.
- ▶ Use screwdriver Fig. 12 (6) to place the screw and tighten it.

## 15.3 Moving the lower bearing parts to the other side

For all appliances:



### WARNING

Danger of injury due to door falling out!

If the bearing parts are not screwed on tightly enough, the door may fall out. This can result in serious injuries. In addition, the door may not close with the result that the appliance does not cool properly.

- ▶ Screw on the bearing brackets/bearing pins tightly with 4 Nm.
- ▶ Check all screws and retighten them if necessary.

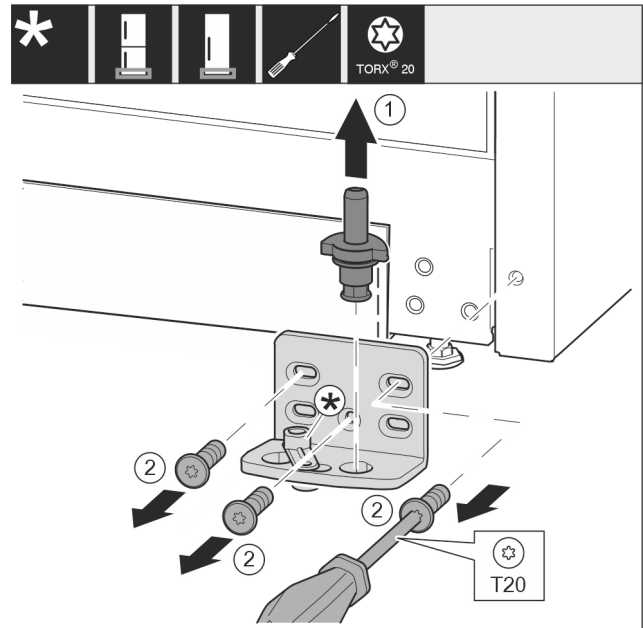


Fig. 13

- ▶ Pull the bearing bolt Fig. 13 (1) out upwards completely.
- ▶ Use screwdriver to unscrew the screws Fig. 13 (2) and remove the swap bearing block.

For appliances without a soft stop:

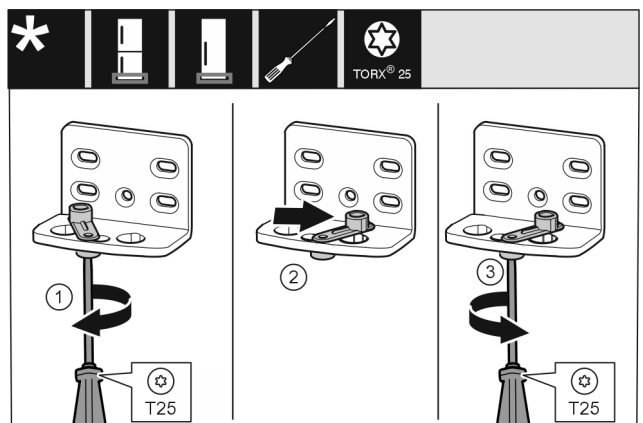


Fig. 14

- ▶ Use screwdriver to loosen the screw Fig. 14 (1).
- ▶ Lift the door closing aid Fig. 14 (2) and turn 90° clockwise in the hole.
- ▶ Tighten screw Fig. 14 (3) with screwdriver.

For all appliances:

# Door hinge change

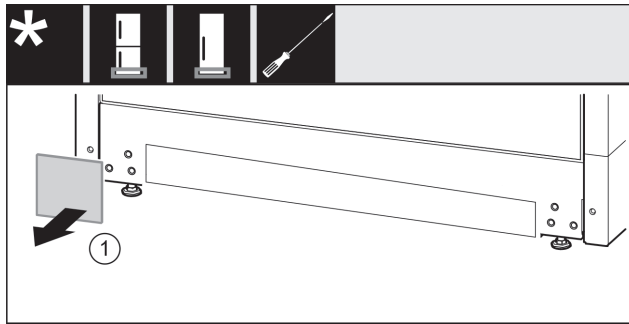


Fig. 15

- ▶ Remove cover Fig. 15 (1).

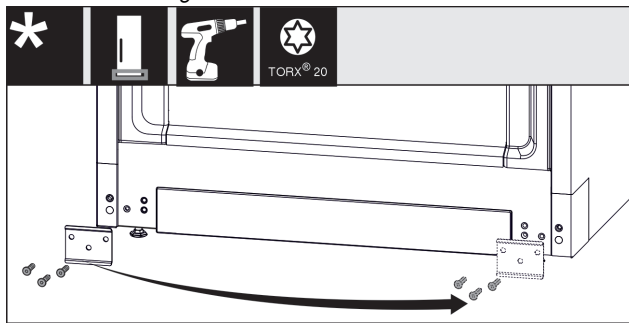


Fig. 16

- ▶ Unscrew the plate Fig. 16 (1), move it to the other side and screw it back on.

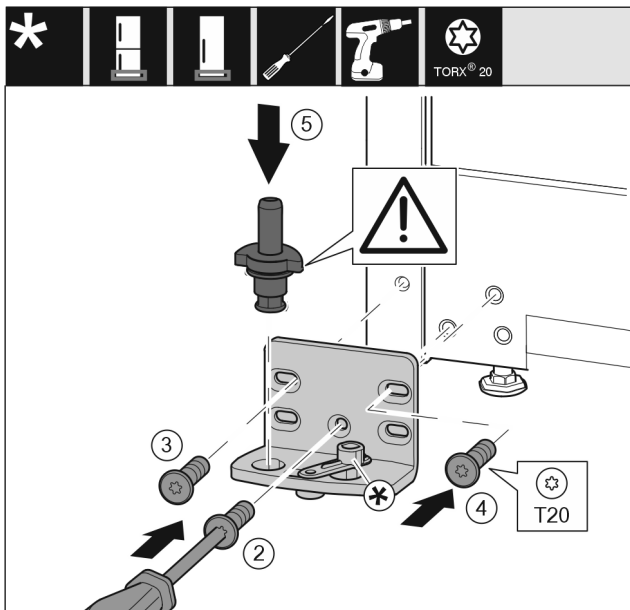


Fig. 17

- ▶ Place the swap bearing block on the other side and use a screwdriver to screw it on. Start with the screw Fig. 17 (2) at the bottom in the middle.
- ▶ Tighten screw Fig. 17 (3) and screw Fig. 17 (4).
- ▶ Insert the bearing bolt Fig. 17 (5) completely. Ensure that the latching cam is pointing towards the rear.

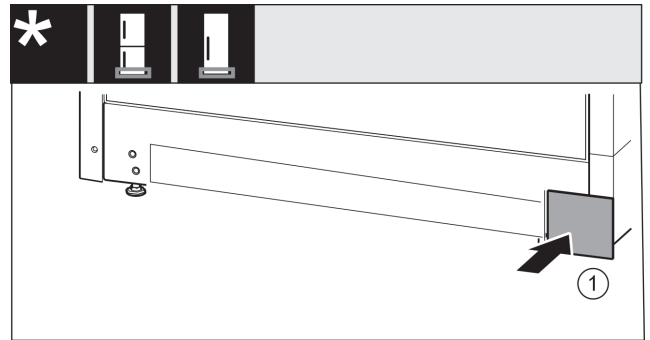


Fig. 18

- ▶ Re-attach the cover Fig. 18 (1) to the other side.

## 15.4 Moving the door bearing parts to the other side

For appliances without a soft stop:



### WARNING

Danger of injury due to door falling out!

If the bearing parts are not screwed on tightly enough, the door may fall out. This can result in serious injuries. In addition, the door may not close with the result that the appliance does not cool properly.

- ▶ Screw on the bearing brackets/bearing pins tightly with 4 Nm.
- ▶ Check all screws and retighten them if necessary.

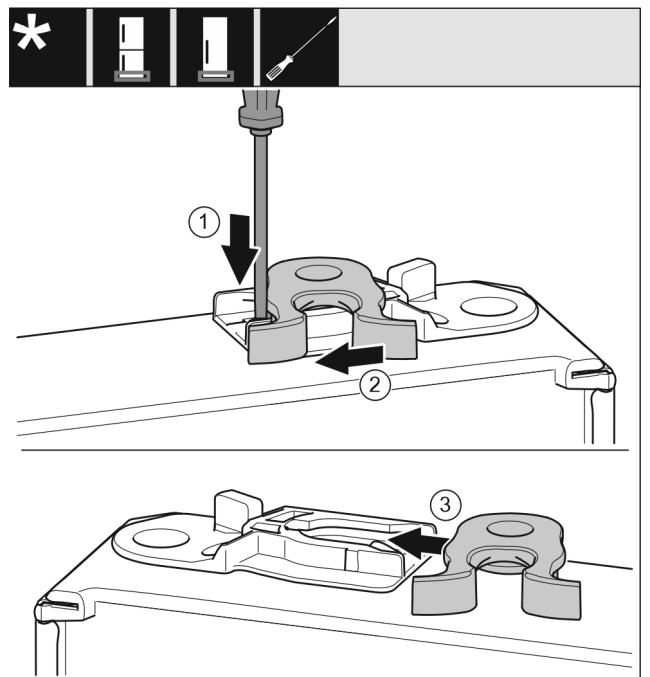


Fig. 19

- ▶ The bottom side of door faces upwards: Turn the door.
- ▶ Use a slotted screwdriver to push the tab Fig. 19 (1) downwards.
- ▶ Pull the closing hook Fig. 19 (2) out of the guide.
- ▶ Insert the closing hook Fig. 19 (3) into the guide on the other side.
- ▶ The upper side of door faces upwards: Turn the door.

## 15.5 Moving the handles to the other side\*

For all appliances:

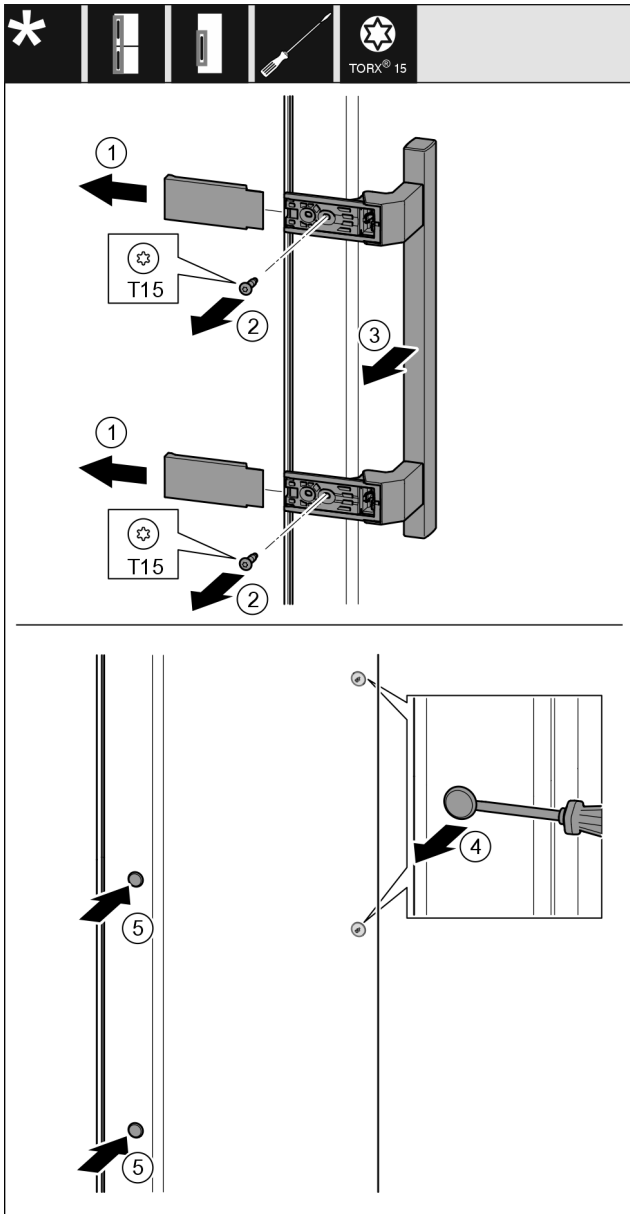


Fig. 20

- ▶ Remove the cover Fig. 20 (1).
- ▶ Unscrew screws Fig. 20 (2) with screwdriver.
- ▶ Remove the handle Fig. 20 (3).
- ▶ Use a slotted screwdriver to lift the side plug Fig. 20 (4) carefully and pull it out.
- ▶ Re-insert the plug Fig. 20 (5) on the other side.

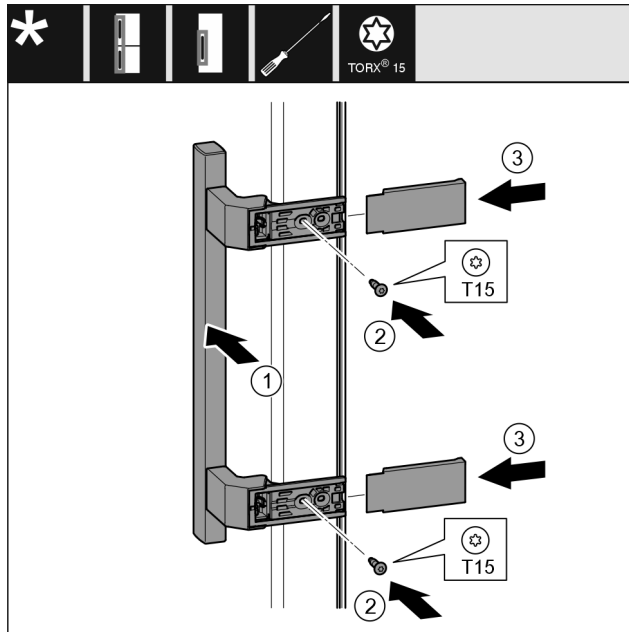


Fig. 21

- ▶ Place the handle Fig. 21 (1) on the opposite side.
- ▶ The screw holes must be exactly above each other.
- ▶ Tighten screws Fig. 21 (2) with screwdriver.
- ▶ Place the covers Fig. 21 (3) on the side and push them on.
- ▶ Ensure that they latch into place.

## 15.6 Fitting the door

For all appliances:

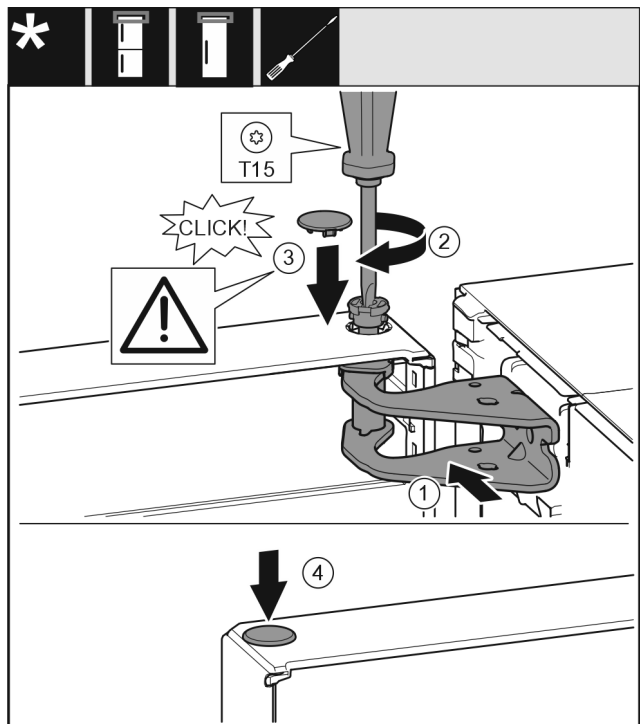


Fig. 22

- ▶ Place the door on the lower bearing pins.
- ▶ Align the top of the door with opening in the bearing bracket. Fig. 22 (1)
- ▶ Insert the bolt Fig. 22 (2) and use screwdriver to tighten it.
- ▶ Fit the safety cover Fig. 22 (3) to secure the door: Insert the safety cover and check whether the door is resting on it. Otherwise, insert the bolt fully.
- ▶ Insert the plug Fig. 22 (4).

# Connecting the appliance to the power supply

## 15.7 Aligning the door

For all appliances:



### WARNING

Danger of injury due to door falling out!

If the bearing parts are not screwed on tightly enough, the door may fall out. This can result in serious injuries. In addition, the door may not close with the result that the appliance does not cool properly.

- ▶ Screw the bearing brackets on firmly with 4 Nm.
- ▶ Check all screws and retighten them if necessary.
- ▶ Align the doors flush with the appliance housing using the two slots in the bearing bracket if needed. To do this undo the middle screw in the bottom bearing bracket with the T20 tool supplied. Undo the remaining screws a little with the T20 tool or with a T20 screwdriver and align using the slotted holes.
- ▶ Prop up the door: Take off the adjustable foot on the bearing bracket using the open-ended wrench SW10 until it comes into contact with the floor, then turn an additional 90°.

## 15.8 Fitting the covers

For appliances without a soft stop:

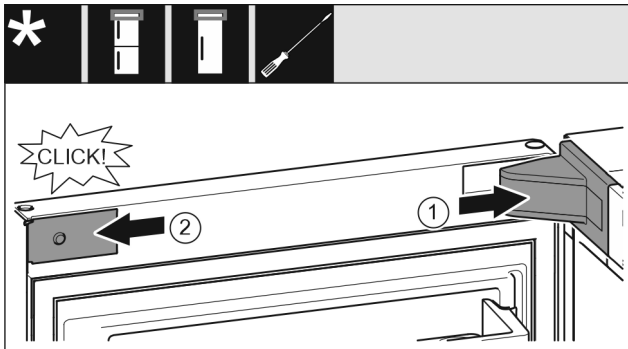


Fig. 23

The door is open 90°.

- ▶ Put the swap bearing block cover Fig. 23 (1) on and engage, push apart carefully if required.
- ▶ Place the trim Fig. 23 (2) on the side and engage.

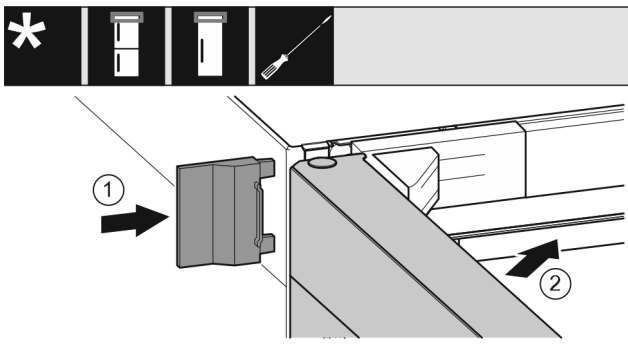


Fig. 24

- ▶ Push the outer cover Fig. 24 (1) on.
- ▶ Close the upper door Fig. 24 (2).

## 16 Connecting the appliance to the power supply



### WARNING

Danger of electric shock and injury due to damaged appliance or damaged mains cable!

Danger of cuts and fatal injuries. If the appliance or the mains cable is damaged during transport, you may be electrocuted. You could also cut yourself on damaged parts of the appliance housing.

- ▶ Check the appliance and the mains cable for damage after transport.
- ▶ Never put the appliance into operation if the appliance or the mains cable are damaged.
- ▶ Contact Customer Service.

You can connect your appliance to the mains using the power cable supplied separately. The mains power cable has an appliance coupler at one end and a mains plug at the other end.

Connect your appliance to the mains using the power cable included. The power cable has a mains plug at the free end.

Make sure that the following requirements are fulfilled:

- The appliance and power cable are undamaged.
- The appliance is set up in accordance with the regulations. (see 8 Mounting wall spacers\*)
- Requirements for the electrical connection are met.
- Dimensions for connection in accordance with regulations are known and observed. (see 5 Connection dimensions for the power supply)
- Mains voltage and frequency correspond to the specifications on the type plate.
- The socket is earthed according to the regulations and fused.
- The fuse tripping current is between 10 A and 16 A.
- The socket is easily accessible and is not behind the appliance. (see 5 Connection dimensions for the power supply)

### NOTICE

Danger of damage to incorrect operation!

Damage to the electrical components of the appliance.

- ▶ Only use the supplied mains cable.



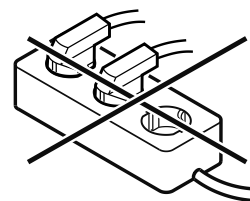
### WARNING

Danger of fire due to incorrect connection!

Burns.

Damage to the appliance.

- ▶ Do not use an extension cable.
- ▶ Do not use distributor blocks.



### NOTICE

Danger of damage to incorrect connection!

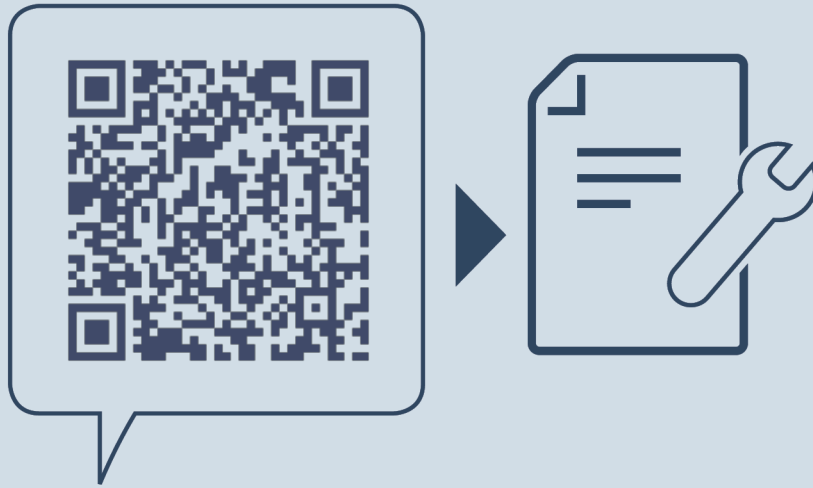
Damage to the appliance.

- ▶ Do not connect the appliance to a stand-alone inverter, e.g. solar power systems and petrol generators.
- ▶ Connect the mains cable plug to the power supply. Ensure that the plug is tightly in the socket.

## Connecting the appliance to the power supply

---

- ▶ Connect the mains cable plug to the power supply.  
Ensure that the plug is tightly in the socket.
- ▷ The Liebherr logo appears in the display.
- ▷ The display switches to the standby symbol.
- ▷ If no action occurs within 60 seconds: The standby symbol fades or disappears.
- ▷ The appliance is connected. For information regarding first use, see the following section or the operating instructions.



[home.liebherr.com/fridge-manuals](https://home.liebherr.com/fridge-manuals)

**EN** freezer

Issue date: 20250903

**Part number index: 7088530-00**

Liebherr-Hausgeräte Ochsenhausen GmbH  
Memminger Straße 77-79  
88416 Ochsenhausen  
Deutschland