



## Installation Guide

Quality, Design and Innovation



[home.liebherr.com/fridge-manuals](http://home.liebherr.com/fridge-manuals)





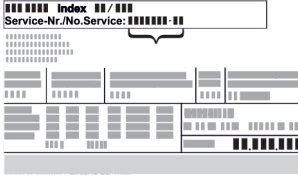




# LIEBHERR

# General safety instructions

## Contents

<b>1</b>	<b>General safety instructions.....</b>	<b>2</b>
<b>2</b>	<b>Installation dimensions.....</b>	<b>3</b>
<b>3</b>	<b>Integrating the appliance into a kitchen unit.....</b>	<b>3</b>
<b>4</b>	<b>Side by side assembly.....</b>	<b>4</b>

The manufacturer is continually working on the further development of all types and models. Please be aware that we reserve the right to make changes to the shape, equipment and technology.

Symbol	Explanation
	<p><b>Read instructions</b></p> <p>Please read the information in these instructions carefully to understand all of the benefits of your new appliance.</p>
	<p><b>Additional information on the Internet</b></p> <p>The digital manual with additional information can be found via the QR code on the front of the manual or by entering the service number at <a href="http://home.liebherr.com/fridge-manuals">home.liebherr.com/fridge-manuals</a>.</p> <p>The service number can be found on the serial tag:</p>  <p style="text-align: center;"><i>Fig. Example illustration</i></p>
	<p><b>Check appliance</b></p> <p>Check all parts for transport damage. If you have any complaints, please contact your agent or customer service.</p>
	<p><b>Differences</b></p> <p>These instructions apply to a range of models, so differences are possible. Sections that apply to certain models only are marked with an asterisk (*).</p>
	<p><b>Instructions and results</b></p> <p>Instructions are marked with a ▶.</p> <p>Results are marked with a ▷.</p>
	<p><b>Videos</b></p> <p>Videos about the appliances are available on the YouTube channels of Liebherr-Hausgeräte.</p>

### Open source licences:

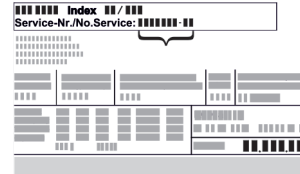
The appliance contains software components that use open source licences. Information on the open source licences used can be found here: [home.liebherr.com/open-source-licences](http://home.liebherr.com/open-source-licences)

## 1 General safety instructions




- Please keep this assembly manual in a safe place so you can refer back to it at any time.
- If you pass the appliance on, please hand this assembly manual to the next user.
- Read this assembly manual carefully before installation and use to ensure safe and correct use of the appliance. Follow the instructions, safety instructions and warning

messages included at all times. They are important for ensuring you can operate and install the appliance safely and without any problems.

- First read the general safety instructions in the “General safety instructions” section of the **operating instructions**, which accompany these installation instructions, and follow them. If you cannot find the **operating instructions**, you can download the **operating instructions** from the internet by entering the service number at [home.liebherr.com/fridge-manuals](http://home.liebherr.com/fridge-manuals). The service number can be found on the serial tag:



- **Observe the warning messages and other detailed information in the other sections when installing the appliance:**

	DANGER	identifies a situation involving direct danger which, if not obviated, may result in death or severe bodily injury.
	WARNING	identifies a dangerous situation which, if not obviated, may result in death or severe bodily injury.
	CAUTION	identifies a dangerous situation which, if not obviated, may result in minor or medium bodily injury.
	NOTICE	identifies a dangerous situation which, if not obviated, may result in damage to property.
	Note	identifies useful instructions and tips.

## 2 Installation dimensions

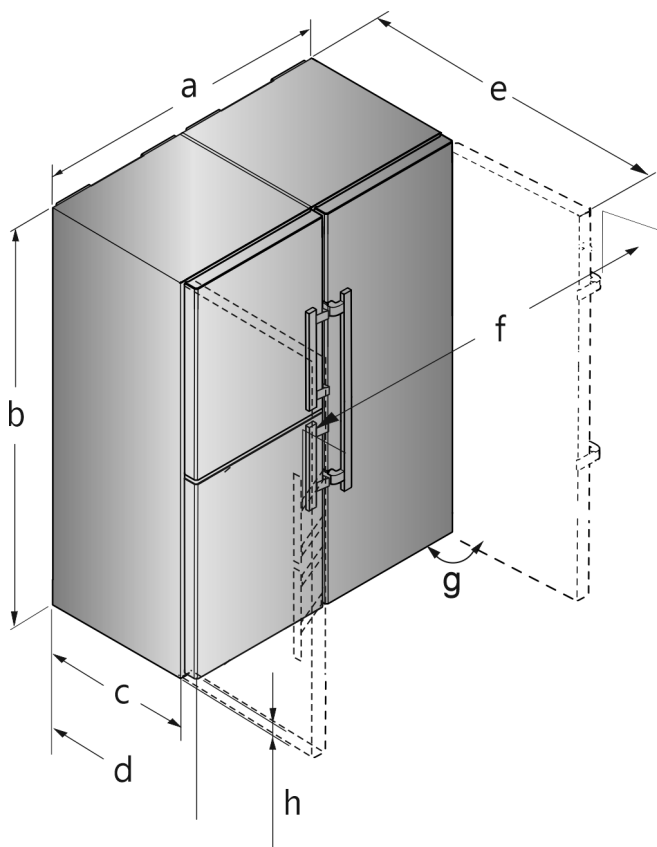


Fig. 1 Example illustration

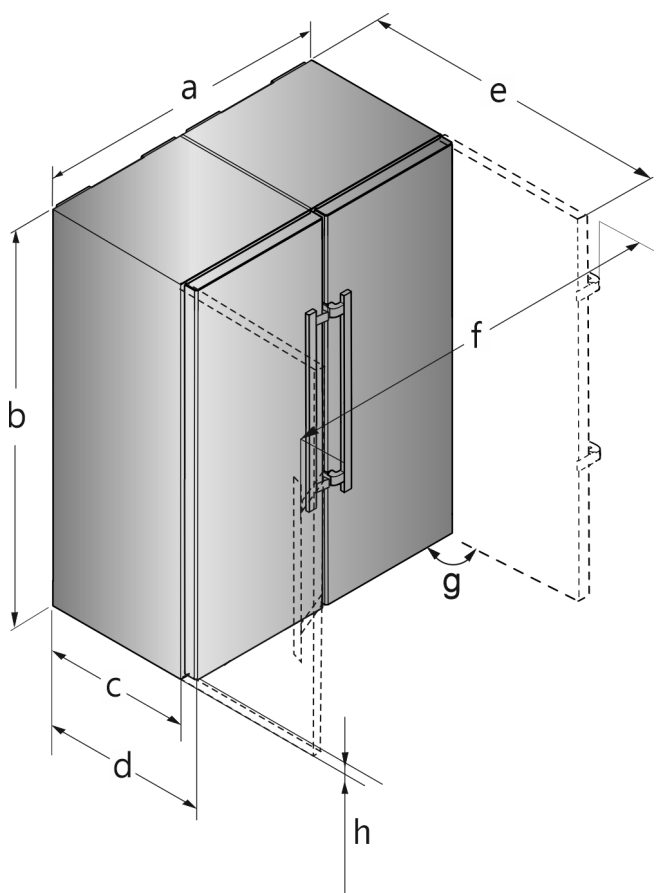


Fig. 2 Example illustration

XCC.. 52.. / XRC.. 52.. / XRF.. 52..	
<b>a (mm)</b>	1204
<b>b (mm)</b>	1855
<b>c (mm)<sup>x</sup></b>	600
<b>d (mm)<sup>x</sup></b>	675
<b>e (mm)<sup>x</sup></b>	1222
<b>f (mm)</b>	1318
<b>g</b>	90°
<b>h (mm)</b>	35

Dimensions with lever handle

<sup>x</sup> If you use wall spacers, the specified dimension increases by 15 mm.\*

e These dimensions apply for an opening angle of 90°.

f Spacing angles will vary according to the opening angle.

## 3 Integrating the appliance into a kitchen unit

You can integrate two SBS-compatible appliances flush into one kitchen unit. (see Fig. 3)

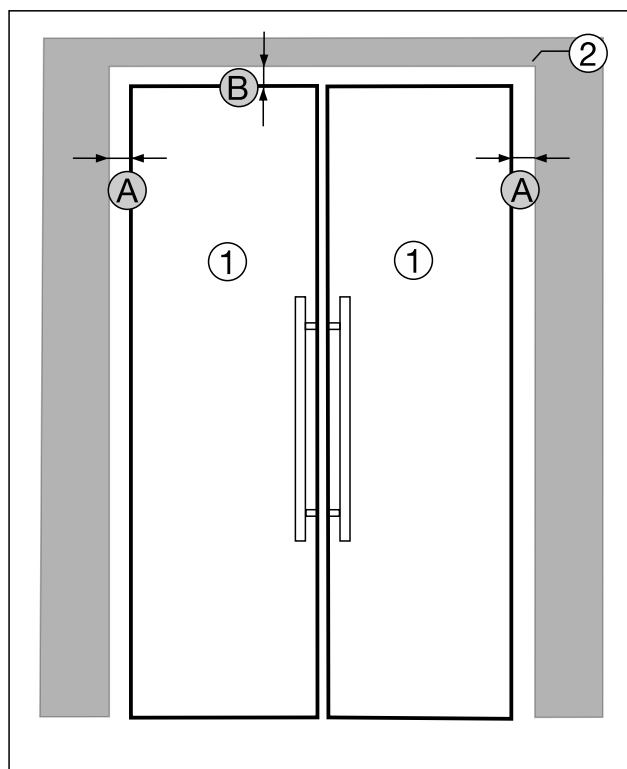


Fig. 3 View of flush installation, completely surrounded by kitchen units / wall

(1) SBS appliances

(A) Distance to the side of the kitchen cabinet / wall

(2) Kitchen cupboard / wall

(B) Distance upwards to kitchen cabinet / wall

# Side by side assembly

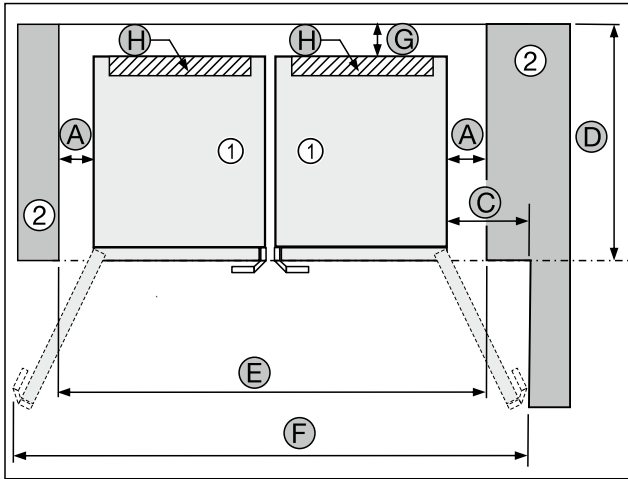


Fig. 4 Top view of flush installation with kitchen cabinet / wall on the right and door opening angle 115°

- (1) SBS appliances
- (2) Kitchen cupboard / wall
- (A) Distance to the side of the kitchen cabinet / wall
- (C) Distance to kitchen cabinet / wall with door opening angle 115°
- (D) Recess depth with wall spacer\*
- (E) Niche width
- (F) Overall width with door opening angle 115°
- (G) Wall clearance to the rear with wall spacer\*
- (H) Ventilation cut-out per appliance

Installation dimensions	
A	min. 35 mm
B	min. 10 mm
C	mind. 284 mm
D	min. 690 mm with wall spacer*
E	min. 1280 mm
F	mind. 1772 mm
G	15 mm
H	min. 300 cm <sup>2</sup>



## WARNING

Risk of fire due to short circuit!

- ▶ When you set the appliance up: do not kink, jam or damage the mains cable.
- ▶ The appliance must not be operated with a defective mains cable.

Ensure that the following requirements are met:

- The socket is easily accessible and is not behind the appliance.
- Connection dimensions are taken into account.
- Wall spacers are fitted. \*
- ▶ Push the appliance into the kitchen unit.

## 4 Side by side assembly

### NOTICE

Risk of damage due to door collision!

Damage to the appliances with Side-by-Side positioning. If you set up two appliances next to each other in a specific Side-by-Side arrangement, the door hinge of both appliances is preset at the factory.

- ▶ Side-by-Side positioning: Do not change the door hinge.

Set up the freezer or the appliance with the freezer compartment from the left when viewed from the front. These appliances are equipped with a side-wall heater on the right hand side to prevent condensation forming.

All the assembly components are supplied with the appliance.

### Assembly parts in the accessory kit

#### For appliances with lever handle

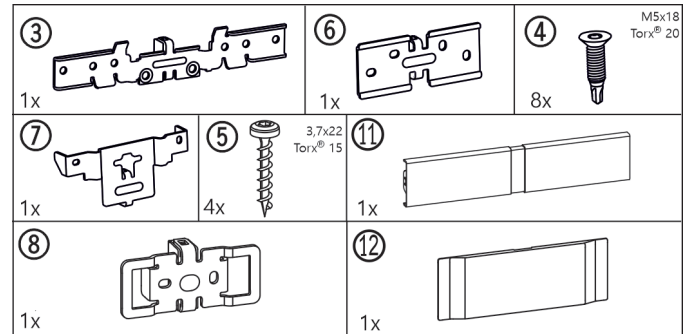


Fig. 5

#### For appliances with recessed grip

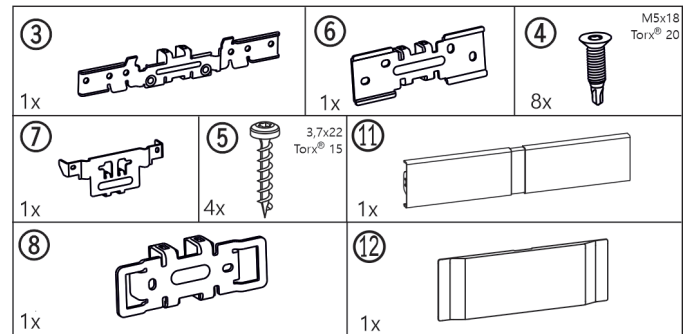


Fig. 6

#### For all appliances

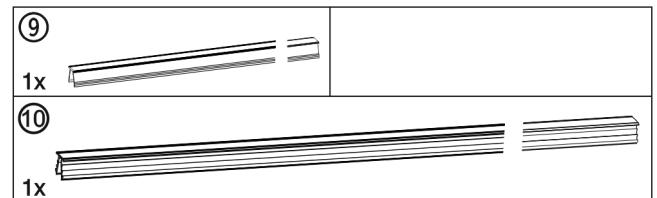


Fig. 7

#### For appliances with bottom soft stop mechanism

##### Base trims

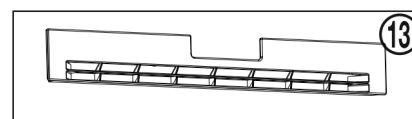


Fig. 8

#### For appliances without bottom soft stop mechanism

##### Base trims

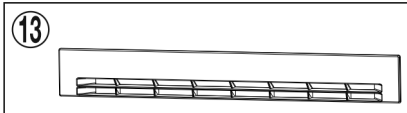


Fig. 9

## Tool for assembly

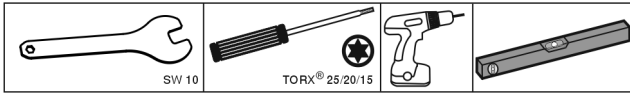


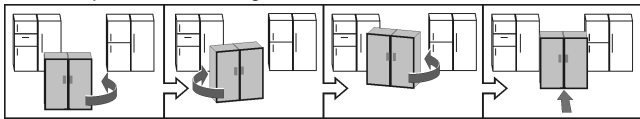
Fig. 10

Ensure that the following tools are to hand:

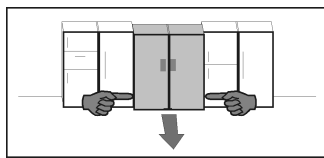
- ❑ Size 10 open-ended spanner (supplied)
- ❑ Torx® 25/20/15 screwdriver
- ❑ Cordless screwdriver
- ❑ Spirit level

## Information on moving the SBS combination:

- ❑ Set up the appliances as close to the final position as possible before assembly. The appliances must be accessible on all sides for correct assembly.
- ❑ When moving the appliances after assembly, always take hold from the front outer corners. Never press your knee against the side walls or door.
- ❑ The SBS combination can be moved most easily when moved diagonally, that is by alternately pushing from the left and right corners. If the combination is standing directly in front of the recess, push it in straight.



- ❑ If the combination has to be pulled out of the recess again, take hold of the bottom third of the combination and pull forward straight.



## NOTICE

Risk of damage when moving the combined SBS appliance! The combined SBS appliance is heavy once assembled. The appliance may be dented by improper movement.

- ▶ Observe the information given on moving the appliance (see above).

- ▶ Take off all protective film from the exterior of the appliance.

## Bottom front of the appliance:

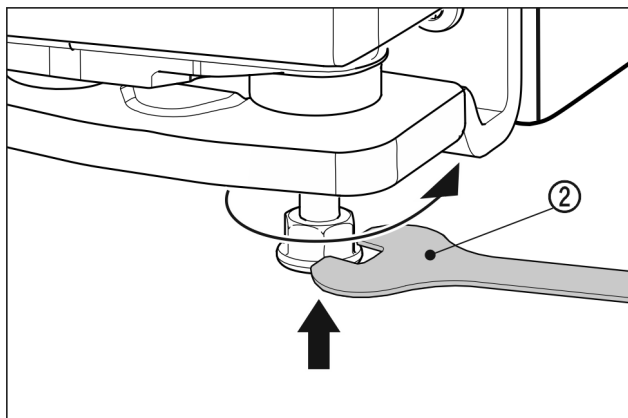


Fig. 11

- ▶ Tighten the outer adjusting feet. The appliances can be moved easier.

## For appliances with lever handle

- ▶ Push both appliances so that they are approx. 10 mm apart from each other, and they are positioned flush facing forwards.

## For appliances with recessed grip

- ▶ Push both appliances so that they are approx. 32 mm apart from each other, and they are positioned flush facing forwards.
- ▶ Straighten the appliances up using a spirit level on the top of the appliance.

## Top front of the appliance:

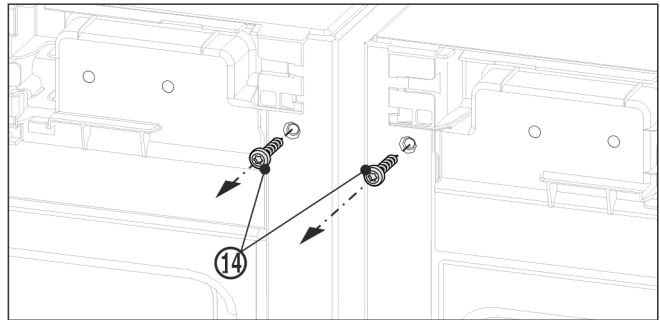


Fig. 12

- ▶ Remove the existing covers.
- ▶ Before fitting the top bracket remove both earthing screws Fig. 12 (14).
- ▶ Store the earthing screws safely. The screws will be necessary for fitting the bracket as shown below.

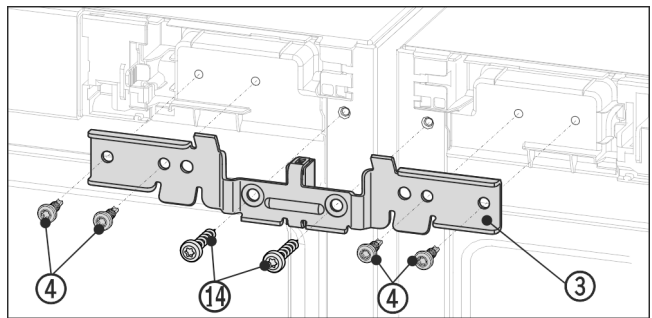


Fig. 13 Example illustration

- ▶ Slide the bracket Fig. 13 (3) onto the pins with the spacer between the appliances. Loosely screw in the brackets alternately right and left with four screws Fig. 13 (4) and the previously removed earthing screws Fig. 13 (14).
- ▶ If necessary: Check the appliance is stood straight by laying a spirit level on the top of the appliance.

## Bottom front of the appliance:

- ▶ Remove the existing covers.

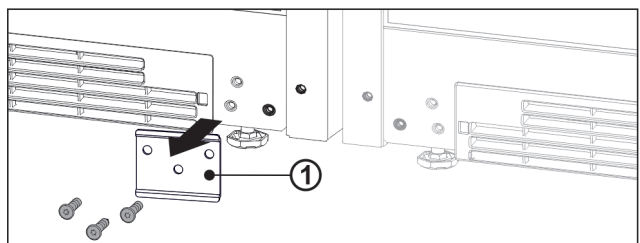


Fig. 14

- ▶ If the metal plate Fig. 14 (1) is installed, unscrew the metal plate.

## Note

If you want to transport the appliance or set it up as an individual appliance, you must re-attach the metal plate.

## Side by side assembly

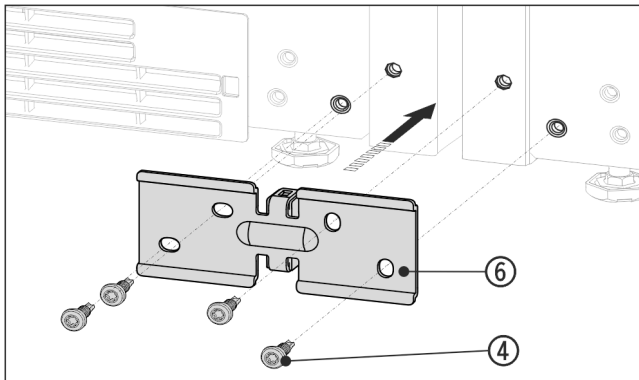


Fig. 15 Example illustration

- ▶ Slide the bracket Fig. 15 (6) on with the spacer between the appliances and screw in loosely with the 4 screws Fig. 15 (4).
- ▶ If necessary: Set up the appliances so that they are level.
- ▶ Tighten the screws firmly at the top and bottom.

### Top rear of the appliance:

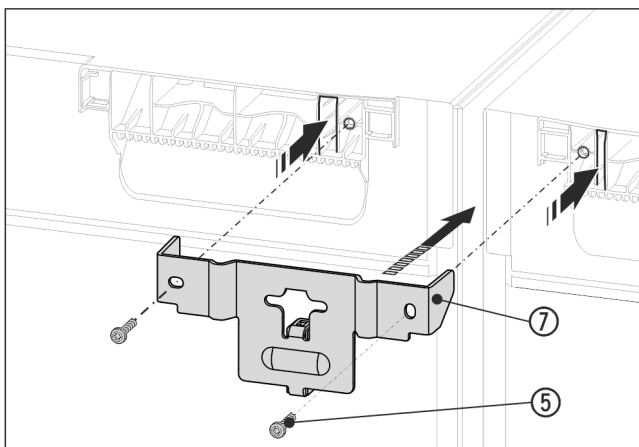


Fig. 16 Example illustration

- ▶ Slide the bracket Fig. 16 (7) onto the appliance ceiling with the lugs and with the spacer between the appliances. Screw in firmly with 2 screws Fig. 16 (5).

### Bottom rear of the appliance:

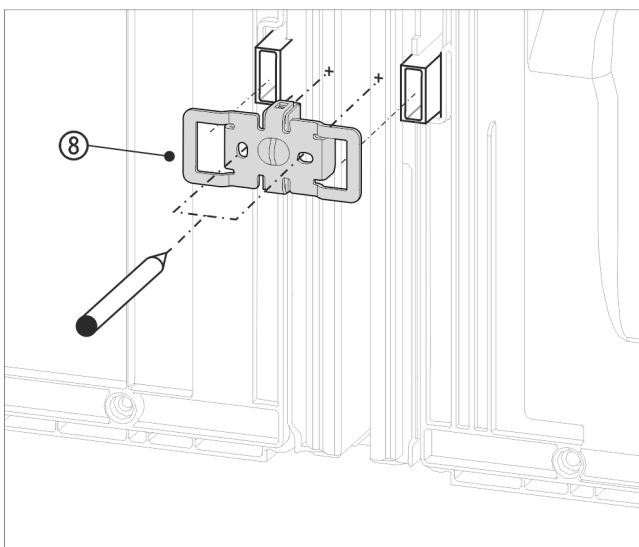


Fig. 17 Example illustration

- ▶ Slide the bracket Fig. 17 (8) on with the slots over the retainer for the wall spacers.

### Note

Holes for the screws must be pre-drilled.

- ▶ Mark the position of the holes to be drilled with a pencil.
- ▶ Remove the bracket again.

### Note

Only drill through the metal plate. Drill depth approx. 1 mm.

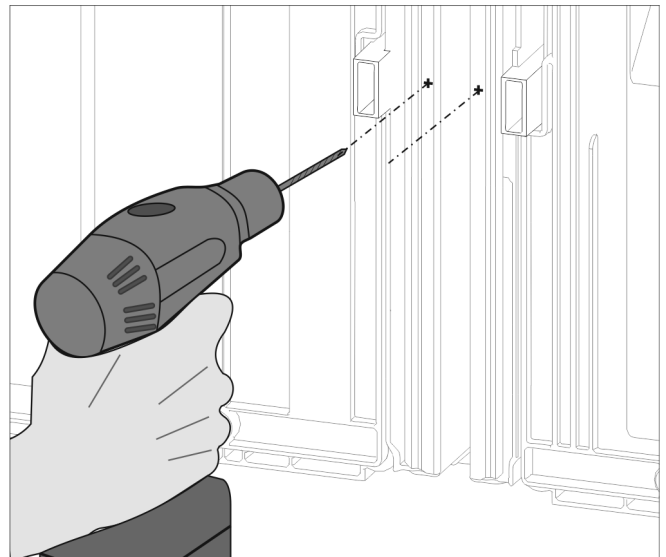


Fig. 18

- ▶ Pre-drill the screw holes with a 3 mm bit and deburr.

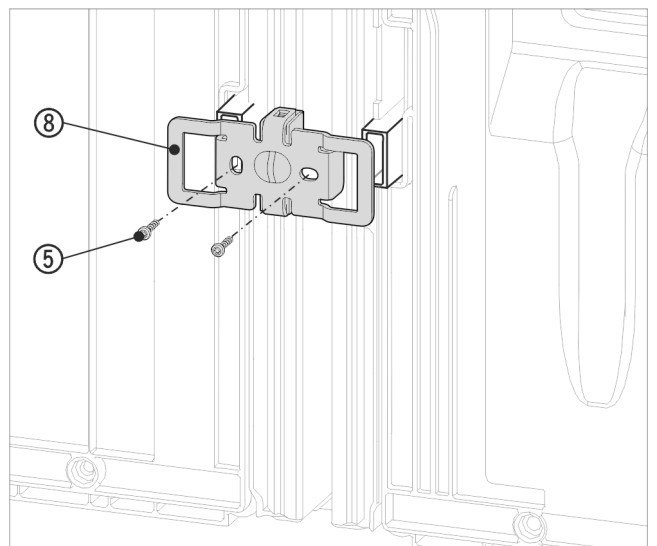


Fig. 19 Example illustration

- ▶ Slide the bracket Fig. 19 (8) on once more with the slots over the retainer for the wall spacers.
- ▶ Screw in tightly with the 2 screws Fig. 19 (5).

Before fitting the top and front cover strips, push the two bars together over the whole length. The strips can be inserted more easily into the gap. Use a soft cloth to push the strips in to avoid dents in the surface of the cover strips. Press the strips into the gap carefully and evenly in order to achieve an optimum bond.

### For appliances with lever handle

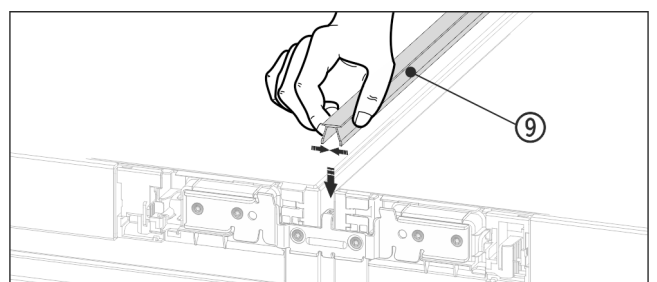


Fig. 20

- ▶ On the top press the short cover strip Fig. 20 (9) into the horizontal gap.

**For appliances with recessed grip**

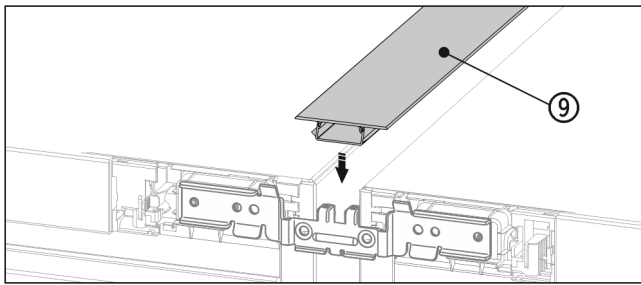


Fig. 21

- ▶ On the top press the short cover strip Fig. 21 (9) into the horizontal gap.

**For appliances with lever handle**

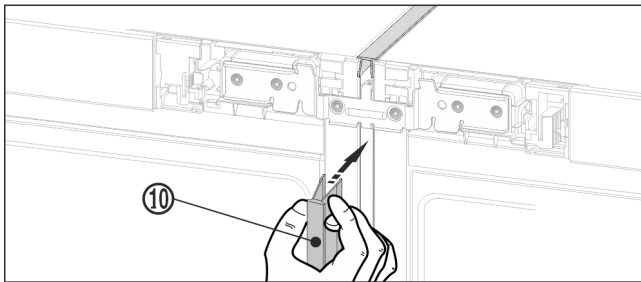


Fig. 22

- ▶ On the front, press the long cover strip Fig. 22 (10) into the vertical gap. Ensure that the strip rests on the connecting plate.

**For appliances with recessed grip**

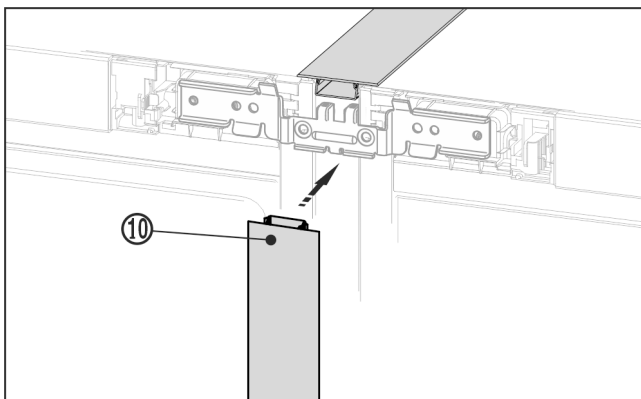


Fig. 23

- ▶ On the front, press the long cover strip Fig. 23 (10) into the vertical gap. Ensure that the strip rests on the connecting plate.
- ▶ Take off the protective film from the cover strip.\*

**Top front of the appliance:**

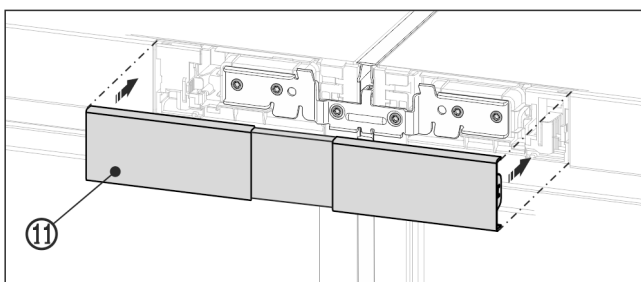


Fig. 24 Example illustration

- ▶ Snap the top cover Fig. 24 (11) onto the still open gap between the two control panel trims. Make sure that the outer sides of the cover form a flush finish with the control panel trims.

**Bottom front of the appliance**

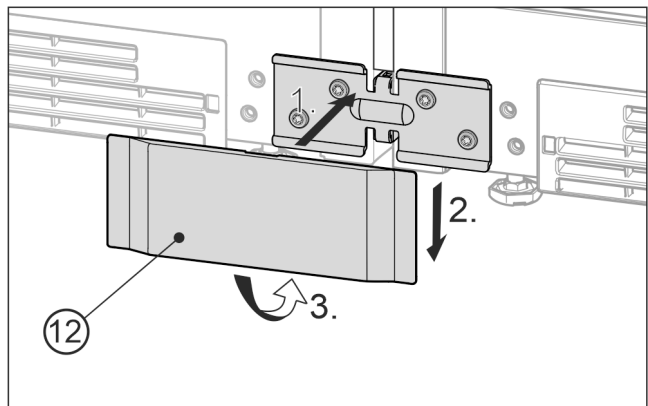


Fig. 25 Example illustration

- ▶ Place the bottom cover Fig. 25 (12) onto the bracket from the front Fig. 25 (1), slide it down Fig. 25 (2) and snap it in at the bottom Fig. 25 (3).
- ▶ To disassemble the cover, insert a screwdriver at the bottom on the side below the cover and release both lower hooks. The cover can swing out upwards.
- ▶ Connect the combination electrically. See the installation guide.
- ▶ Appliances with IceMaker or InfinitySpring:  
▶ Connect the appliance to the fixed water connection. See the installation guide.

**NOTICE**

Risk of damage when moving the combined SBS appliance! The combined SBS appliance is heavy once assembled. The appliance may be dented by improper movement.

- ▶ Observe the information given on moving the appliance (see above).

- ▶ Carefully push the SBS combination into the specified position.
- ▶ If necessary, align the SBS combination using the leveling feet.
- ▶ Then prop up the door: Lower outer adjusting feet on the bearing bracket until they are resting on the floor.

The doors can be straightened at height on the outer lower bearing brackets:

- ▶ Open the door to 90°.

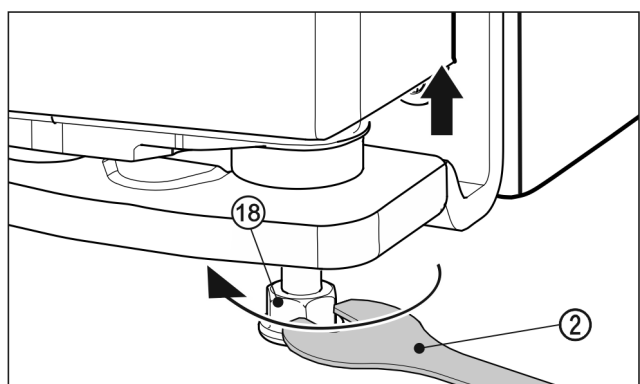


Fig. 26

- ▶ To lift the door, unscrew the adjusting foot Fig. 26 (18) clockwise using the supplied open-ended spanner Fig. 26 (2) until the foot makes contact with the floor. Then continue turning until the door is adjusted to the right height. When delivered, the bearing pin is completely screwed in.

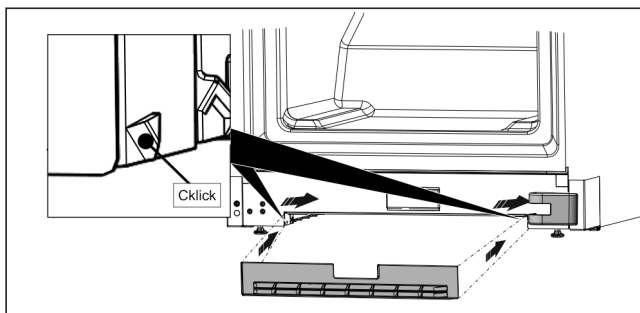
## Side by side assembly

---

### Fit decorative base trim.

After you have assembled and straightened out the appliances, the base trims can be fitted at the bottom of the appliances. The base trims are decorative and will not affect the functionality of the appliances.

#### For appliances with bottom soft stop mechanism



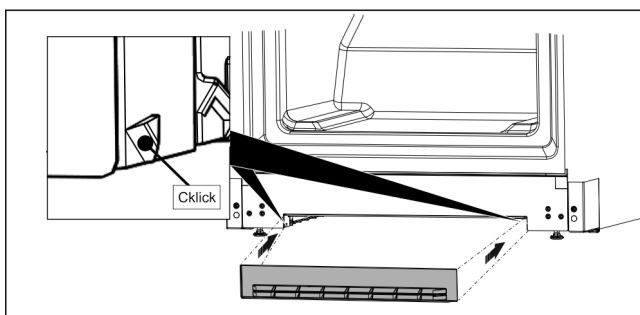
*Fig. 27*

- ▶ Attach the base trim to the bottom of the appliance in the recess.

#### Note

The base trim must be pushed to a little behind the bearing bracket cover.

#### For appliances without bottom soft stop mechanism



*Fig. 28*

- ▶ Secure the base trim recess at the bottom of the appliance, as shown in the figure.





[home.liebherr.com/fridge-manuals](https://home.liebherr.com/fridge-manuals)

**EN** Side-by-Side combinations

Issue date: 20260206

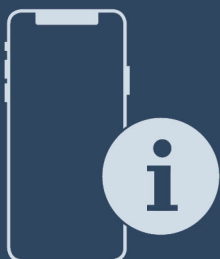
**Part number index: 7086163-01**

Liebherr-Hausgeräte Marica EOOD  
Bezirk Plovdiv  
4202 Radinovo  
Bulgarien



## Installation Guide

Quality, Design and Innovation



[home.liebherr.com/fridge-manuals](http://home.liebherr.com/fridge-manuals)




# LIEBHERR


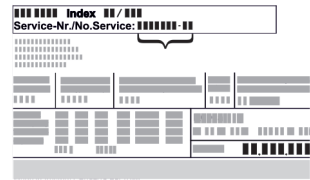




# General safety instructions

## Contents

<b>1</b>	<b>General safety instructions.....</b>	<b>2</b>
<b>2</b>	<b>Installation requirements.....</b>	<b>3</b>
2.1	Installation site.....	3
2.2	Position in space.....	3
2.3	Integration into a kitchen unit.....	3
<b>3</b>	<b>Installation dimensions.....</b>	<b>4</b>
<b>4</b>	<b>Ventilation requirements.....</b>	<b>4</b>
<b>5</b>	<b>Connection dimensions for the power supply.....</b>	<b>4</b>
<b>6</b>	<b>Transporting the appliance.....</b>	<b>5</b>
6.1	Transporting the appliance for initial use.....	5
6.2	Transporting the appliance after initial use.....	5
<b>7</b>	<b>Unpacking the appliance.....</b>	<b>5</b>
<b>8</b>	<b>Mounting wall spacers*.....</b>	<b>5</b>
<b>9</b>	<b>Setting up the appliance.....</b>	<b>5</b>
<b>10</b>	<b>Setting up the appliance so that it is level.....</b>	<b>6</b>
<b>11</b>	<b>After setting up.....</b>	<b>6</b>
<b>12</b>	<b>Installing multiple appliances.....</b>	<b>6</b>
<b>13</b>	<b>Integrating the appliance into a kitchen unit.....</b>	<b>6</b>
13.1	Niche dimensions for appliances with recessed handles*.....	7
13.2	Niche dimensions for appliances with lever handle*.....	7
<b>14</b>	<b>Disposing of packaging.....</b>	<b>8</b>
<b>15</b>	<b>Door hinge change.....</b>	<b>8</b>
15.1	Removing the soft stop mechanism.....	8
15.2	Empty door racks.....	9
15.3	Detaching the door.....	9
15.4	Relocating the upper bearing components.....	10
15.5	Moving the lower bearing parts to the other side..	10
15.6	Moving the handles to the other side*.....	11
15.7	Fitting the door.....	12
15.8	Aligning the door.....	12
15.9	Appliances with closing damper: Fitting the closing damper.....	12
<b>16</b>	<b>Connecting the appliance to the power supply....</b>	<b>13</b>

The manufacturer is continually working on the further development of all types and models. Please be aware that we reserve the right to make changes to the shape, equipment and technology.

Symbol	Explanation
	<b>Read instructions</b> Please read the information in these instructions carefully to understand all of the benefits of your new appliance.

Symbol	Explanation
	<b>Additional information on the Internet</b> The digital manual with additional information can be found via the QR code on the front of the manual or by entering the service number at <a href="http://home.liebherr.com/fridge-manuals">home.liebherr.com/fridge-manuals</a> . The service number can be found on the serial tag:  <i>Fig. Example illustration</i>
	<b>Check appliance</b> Check all parts for transport damage. If you have any complaints, please contact your agent or customer service.
	<b>Differences</b> These instructions apply to a range of models, so differences are possible. Sections that apply to certain models only are marked with an asterisk (*).
	<b>Instructions and results</b> Instructions are marked with a ▶. Results are marked with a ▷.
	<b>Videos</b> Videos about the appliances are available on the YouTube channels of Liebherr-Hausgeräte.

### Open source licences:

The appliance contains software components that use open source licences. Information on the open source licences used can be found here: [home.liebherr.com/open-source-licences](http://home.liebherr.com/open-source-licences)

## 1 General safety instructions

- Please keep this assembly manual in a safe place so you can refer back to it at any time.
- If you pass the appliance on, please hand this assembly manual to the next user.
- Read this assembly manual carefully before installation and use to ensure safe and correct use of the appliance. Follow the instructions, safety instructions and warning messages included at all times. They are important for ensuring you can operate and install the appliance safely and without any problems.
- First read the general safety instructions in the “General safety instructions” section of the **operating instructions**, which accompany these installation instructions, and follow them. If you cannot find the **operating instructions**, you can download the **operating instructions** from the internet by entering the service number at [home.liebherr.com/fridge-manuals](http://home.liebherr.com/fridge-manuals).



# Installation dimensions

## 3 Installation dimensions

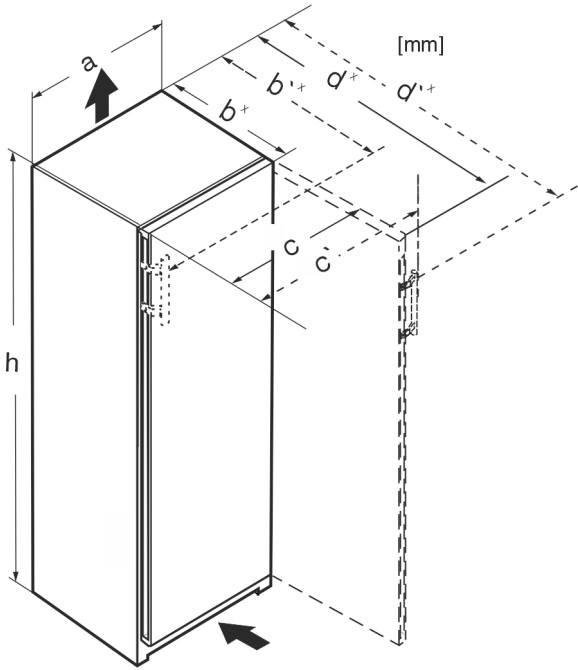


Fig. 1

	h	a	b	b'	c	c'	d	d'
RB.. 4250	1255	597	675 <sup>x</sup>	719 <sup>x</sup>	609	654	1215 <sup>x</sup>	1222 <sup>x</sup>
R.. 5250	1855	597	675 <sup>x</sup>	719 <sup>x</sup>	609	654	1215 <sup>x</sup>	1222 <sup>x</sup>
SR(B).. 525.. (i)	1855	597	675 <sup>x</sup>	719 <sup>x</sup>	609	654	1215 <sup>x</sup>	1222 <sup>x</sup>
RB.. 528..(i)	1855	597	675 <sup>x</sup>	—	609	—	1217 <sup>x</sup>	—
SRB.. 528..(i)	1855	597	675 <sup>x</sup>	—	609	—	1217 <sup>x</sup>	—
SRB.. 529i	1855	597	675 <sup>x</sup>	719 <sup>x</sup>	609	654	1215 <sup>x</sup>	1222 <sup>x</sup>
SRB.. 526..(i)	1855	597	675 <sup>x</sup>	719 <sup>x</sup>	609	654	1215 <sup>x</sup>	1222 <sup>x</sup>

<sup>x</sup> For appliances with supplied wall spacers, the dimensions must be increased by 15 mm (see 8 Mounting wall spacers\*).

## 4 Ventilation requirements

### NOTICE

Danger of overheating due to insufficient air ventilation! The compressor may be damaged if there is insufficient air ventilation.

- ▶ Take care to ensure adequate air ventilation.
- ▶ Observe the ventilation requirements.

If the appliance is integrated into a kitchen unit, the following ventilation requirements must be observed:

- As a general rule: the larger the ventilation cross section, the more energy the appliance will be able to save.

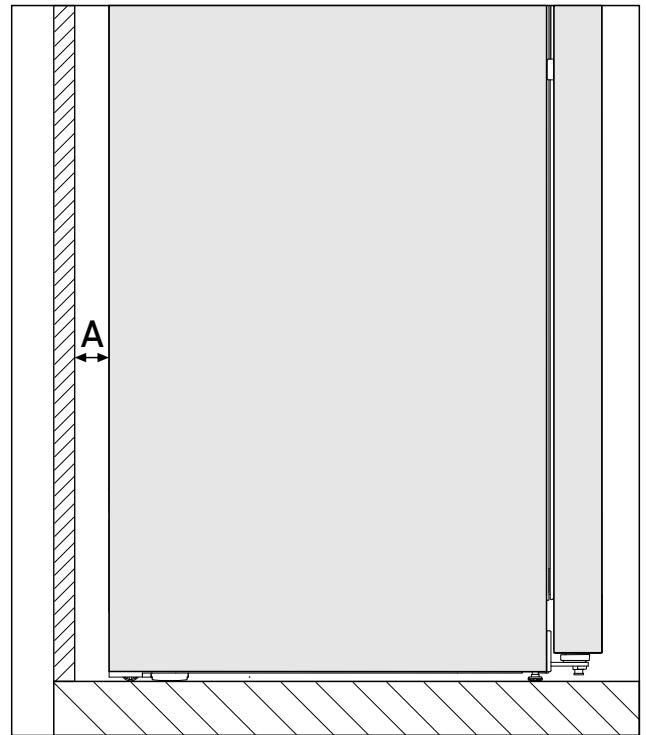


Fig. 2\*

Wall gap A
25 mm

The energy consumption has been determined with a gap of Fig. 2 (A) between the rear of the appliance and the wall. If the wall gap is less than Fig. 2 (A), this does not affect the appliance's operability but the energy consumption does increase slightly at a smaller wall gap.

## 5 Connection dimensions for the power supply

The connection to the power supply is on the rear of the appliance. To connect your appliance safely, ensure that the following requirements are met:

- ❑ Dimensions for the connection to the power supply are known and are adhered to. See table below.
- ❑ Connection to the power supply according to the instructions. (see 16 Connecting the appliance to the power supply)

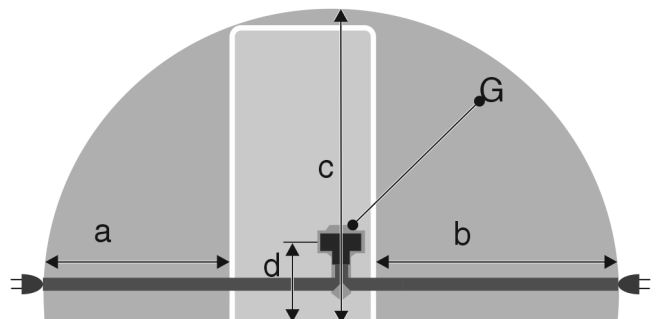


Fig. 3 Refrigerators

- (a) Maximum available length of the mains connection cable
- (b) Maximum available length of the mains connection cable
- (d) Gap between appliance plug and floor
- (G) Appliance plug

- (c) Maximum available vertical length of the mains connection cable

For 600 mm wide appliances:	
a	~ 1350 mm
b	~ 1800 mm
c	~ 2050 mm
d	~ 150 mm

## 6 Transporting the appliance

### 6.1 Transporting the appliance for initial use

Ensure that the following requirements are met:

- The appliance is packaged.
- The appliance is upright.

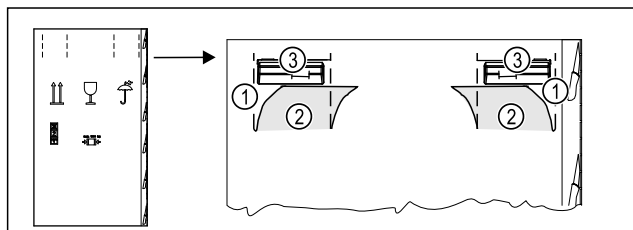


Fig. 4

- ▶ Press the packaging cardboard into the perforation Fig. 4 (1) at the top.
- ▶ Pull out any tabs Fig. 4 (2) that have been pushed in.
- ▶ Carrying handle Fig. 4 (3) visible on the right and left.
- ▶ Hold the appliance by the carrying handles Fig. 4 (3).
- ▶ Transport the appliance with the help of two people.
- ▶ Unpacking the appliance. (see 7 Unpacking the appliance)

### 6.2 Transporting the appliance after initial use

Observe the following instructions if you wish to transport or move the appliance again after initial use.

Ensure that the following requirements are met:

- The appliance is emptied.
- The appliance is upright.
- Appliance with door(s): Door is secured against accidental opening.
- Appliance with telescopic unit: The telescopic unit is secured against accidental opening.
- Appliance with adjustable feet: Adjustable feet are screwed in.
- ▶ Hold the appliance by the carrying handles.
- ▶ Transport the appliance with the help of two people.

After transport:

- ▶ Unscrew the adjustable feet on the appliance.
- ▶ Align the appliance. (see 10 Setting up the appliance so that it is level)

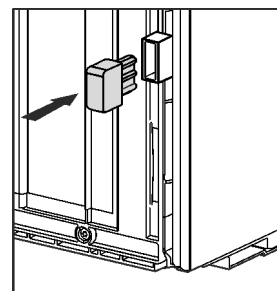
## 7 Unpacking the appliance

Before you connect the appliance, report any damage immediately to the delivery company.

- ▶ Check the appliance and the packaging for damage during transport. Contact the supplier immediately if you suspect any level of damage.
- ▶ Remove all materials from the back or the side walls of the appliance that may prevent proper installation or ventilation.
- ▶ Remove all protective films from the appliance. Do not use sharp or pointed objects for this.

## 8 Mounting wall spacers\*

With wall spacers, your device achieves the declared energy consumption and no condensation forms in high ambient humidity. The device is fully functional without the spacer brackets, but its energy consumption will be slightly higher. If you insert the wall spacers, then the device depth increases by approx. 15 mm.\*



- ▶ Appliance with enclosed wall spacers: Insert the wall spacers on the rear of the appliance at the bottom left and right.

## 9 Setting up the appliance



### CAUTION

Risk of injury due to heavy appliance!

- ▶ Have two people transport the appliance to its installation site.



### WARNING

Risk of fire due to short circuit!

- ▶ When you set the appliance up: do not kink, jam or damage the mains cable.
- ▶ The appliance must not be operated with a defective mains cable.



### WARNING

Fire hazard and danger of damage!

- ▶ Do not place appliances emitting heat e.g. microwaves, toasters etc. on the appliance!

Ensure that the following conditions are met:

- Only move the device when it is not loaded.
- Only install the appliance with help.
- ▶ Remove the mains cable from the package.
- ▶ Plug the mains cable's IEC socket completely into the appliance plug on the back of the appliance. Ensure that the IEC socket is tight.
- ▶ Use a cord to lay the mains plug to a freely accessible socket if required.

# Setting up the appliance so that it is level

## 10 Setting up the appliance so that it is level

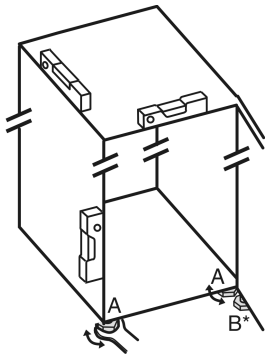


Fig. 5

- ▶ Unscrew the adjustable feet Fig. 5 (A) using the enclosed open-end spanner and a spirit level until the appliance is firmly aligned and level.



### CAUTION

Risk of injury and damage due to the appliance tipping over! If the additional adjustable foot on the lower swap bearing block does not rest properly on the floor, the appliance may tip over. This can lead to property damage and injuries.

- ▶ Unscrew the additional adjustable foot on the swap bearing block as instructed.
- ▶ Unscrew the adjustable foot Fig. 5 (B) on the swap bearing block with the enclosed open-end spanner until it rests on the floor.
- ▶ Turn the adjustable foot Fig. 5 (B) 90° further.
- ▶ The appliance is aligned.

## 11 After setting up

- ▶ Remove all transport safety components.
- ▶ Take off the protective film from the exterior of the appliance.
- ▶ Take off the protective film from the trim panels.\*
- ▶ Take off the protective film from the stainless steel rear panel.\*
- ▶ Clean the appliance. (see operating instructions)
- ▶ Note the type (model, number), appliance designation, appliance/serial number, purchase date and dealer's address.

## 12 Installing multiple appliances

The appliances have been developed for different installation methods. If you wish to install several appliances next to each other or on top of each other, ensure that the following requirements are met:

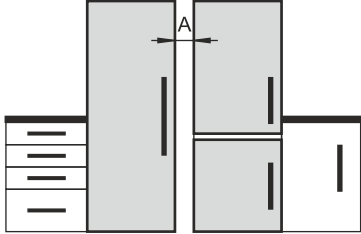
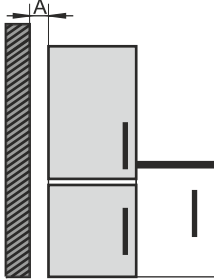
- Only install appliances next to or on top of each other if they have been developed for this.
- Observe notices and the following table.

### NOTICE

Risk of damage due to condensate!

- ▶ Do not place the appliance directly next to another cooling/refrigeration unit.

Model	Installation method
All models	Standalone

Model	Installation method
Models with a model designation starting with <b>S...</b>	Side-by-Side (SBS)
Models without side wall heating	 <p><b>Next to each other:</b> Install with gap <b>A</b> of 70 mm between the appliances. If you do not comply with this gap, condensation will form on the side walls between the appliances.</p>  <p><b>On an exterior wall:</b> Install with gap <b>A</b> as with installation next to each other. If you do not comply with this gap, condensation may form on the appliance's side wall.</p>

### Models and their installation method

Assemble the appliances according to the separate installation instructions.

## 13 Integrating the appliance into a kitchen unit

The appliance can be integrated into a kitchen unit. Please observe the following installation conditions:

- If you fit a stacking cabinet above the appliance, you must allow for a ventilation cross-section with the appropriate depth at the rear of the stacking cabinet.
- If you place the appliance with the hinges next to a wall, you must take the distance to the side of the appliance into account.
- To ensure that the door can be opened fully, the appliance must protrude beyond the front thickness. Depending on the niche depth, the appliance may protrude further.

### Note

A set for limiting the door opening angle to 90° can be obtained from customer service for appliances with soft closing.

# Integrating the appliance into a kitchen unit



## WARNING

Risk of fire due to short circuit!

- ▶ When you set the appliance up: do not kink, jam or damage the mains cable.
- ▶ The appliance must not be operated with a defective mains cable.

Ensure that the following requirements are met:

- ❑ The socket is easily accessible and is not behind the appliance.
- ❑ Ventilation requirements are met. (see 4 Ventilation requirements) .
- ❑ Connection dimensions are taken into account. (see 16 Connecting the appliance to the power supply)
- ❑ Wall spacers are fitted.\*

## 13.1 Niche dimensions for appliances with recessed handles\*

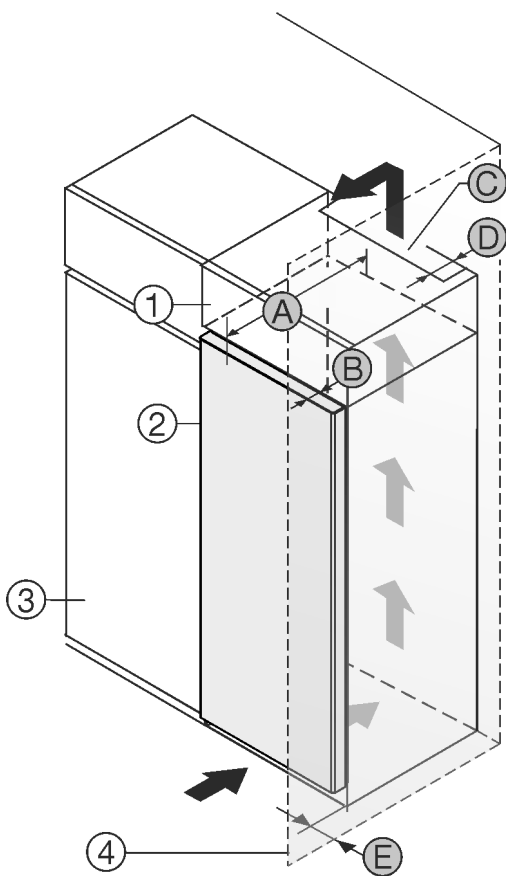


Fig. 6

- (1) Top Unit
- (2) Appliance
- (3) Kitchen cupboard
- (4) Wall
- (A) Appliance depth
- (B) Door depth
- (C) Ventilation cross-section
- (D) Distance from rear of the appliance
- (E) Distance to the side of the appliance

Appliances with a recessed grip:	
A	675 mm <sup>x</sup>
B	75 mm
C	min. 300 cm <sup>2</sup>
D	min. 50 mm
E	min. 13 mm

Appliances with recessed handle and glass front / stone front:	
A	682 mm <sup>x</sup>
B	82 mm
C	min. 300 cm <sup>2</sup>
D	min. 50 mm
E	min. 20 mm

<sup>x</sup> On devices with wall spacer brackets, this dimension increases by 15 mm.\*

## 13.2 Niche dimensions for appliances with lever handle\*

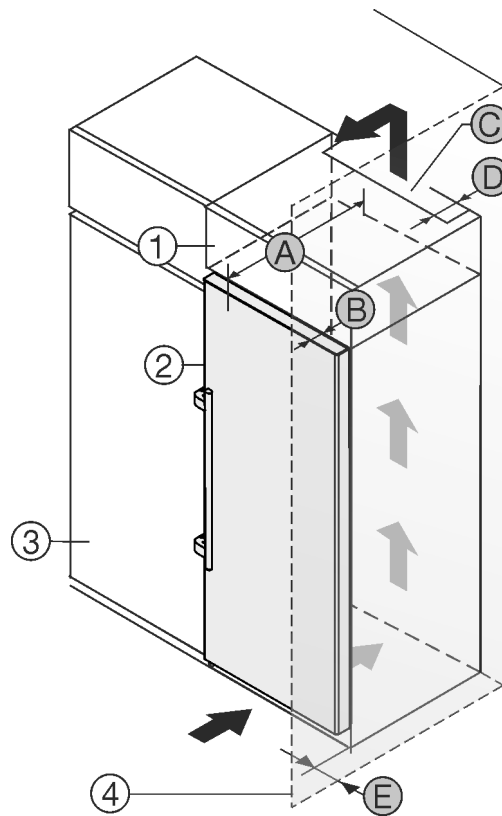


Fig. 7

- (1) Top Unit
- (2) Appliance
- (3) Kitchen cupboard
- (4) Wall
- (A) Appliance depth
- (B) Door depth
- (C) Ventilation cross-section
- (D) Distance from rear of the appliance
- (E) Distance to the side of the appliance

Dimensions with lever handle:	
A	675 mm <sup>x</sup>
B	75 mm
C	min. 300 cm <sup>2</sup>
D	min. 50 mm
E	min. 57 mm

<sup>x</sup> On devices with wall spacer brackets, this dimension increases by 15 mm.\*

# Disposing of packaging

## 14 Disposing of packaging



### WARNING

Danger of suffocation due to packing material and plastic film!

- ▶ Do not allow children to play with packing material.

The packaging is made of recyclable materials:

- corrugated board/cardboard
- expanded polystyrene parts
- polythene bags and sheets
- polypropylene straps
- nailed wooden frame with polyethylene panel\*

- ▶ Take the packaging material to an official collecting point.

## 15 Door hinge change

### Tools

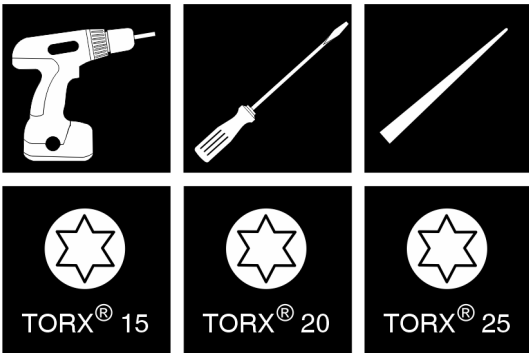


Fig. 8

### NOTICE

Risk of damage due to door collision!  
Damage to the appliances with Side-by-Side positioning. If you set up two appliances next to each other in a specific Side-by-Side arrangement, the door hinge of both appliances is preset at the factory.

- ▶ Side-by-Side positioning: Do not change the door hinge.

These sections apply for appliances **with a soft stop mechanism**:

- For appliances **with** a soft stop mechanism
- For all appliances

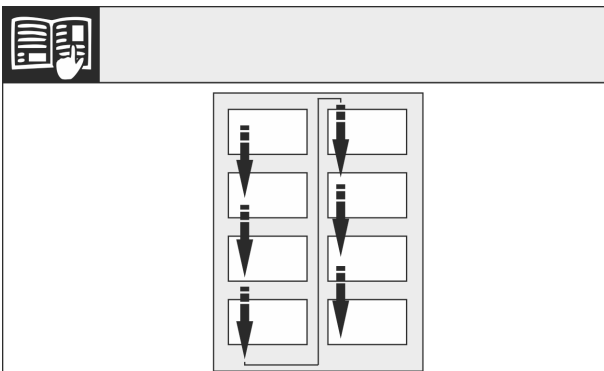


Fig. 9

Remember the reading direction.

### 15.1 Removing the soft stop mechanism

For appliances with a soft stop mechanism:

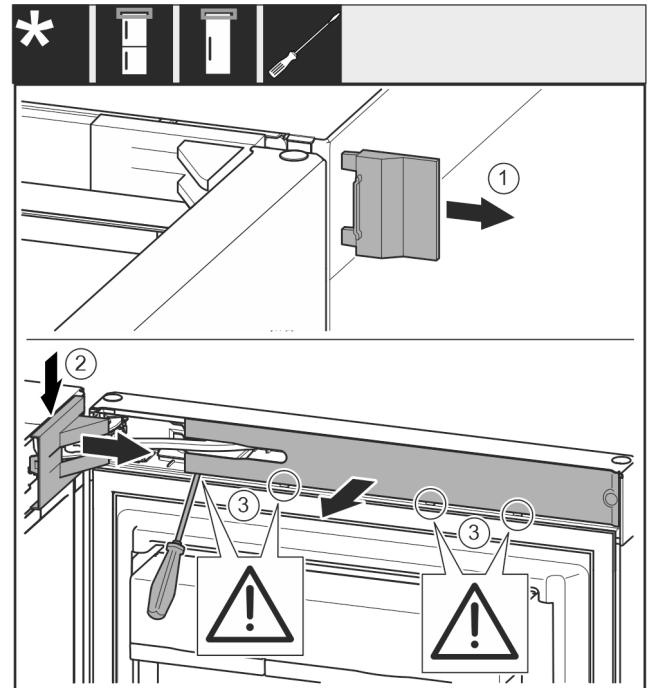


Fig. 10

- ▶ Open the door.

### NOTICE

Risk of damage from screwdrivers!

If you damage the door seal, the door will not close properly resulting in inadequate cooling.

- ▶ Use a screwdriver carefully as an aid.
- ▶ Do not damage the door seal with the screwdriver.

- ▶ Remove cover Fig. 10 (1).
- ▶ Disengage and loosen the swap bearing block cover Fig. 10 (2).
- ▶ Remove the swap bearing block cover Fig. 10 (3).
- ▶ Use a slotted screwdriver to unlatch the trim Fig. 10 (3) and swing it to the side.

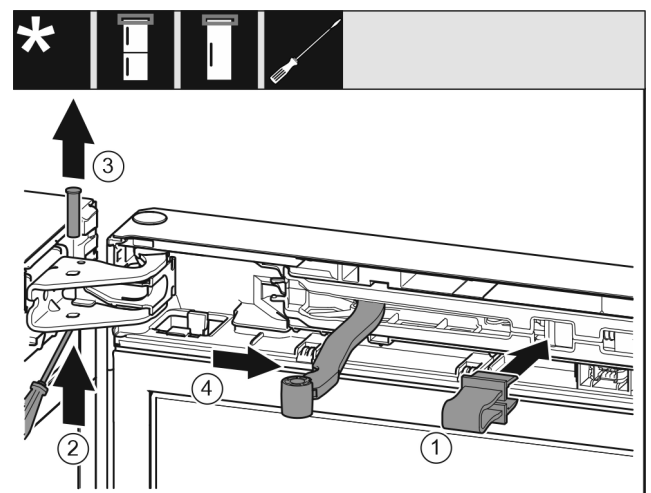


Fig. 11



### CAUTION

Crushing hazard by joint folding up!

- ▶ Engage safety device.
- ▶ Latch safeguard Fig. 11 (1) into opening.
- ▶ Slide out the bolt Fig. 11 (2).
- ▶ Remove the bolt Fig. 11 (3) upwards.
- ▶ Turn the joint Fig. 11 (4) towards the door.

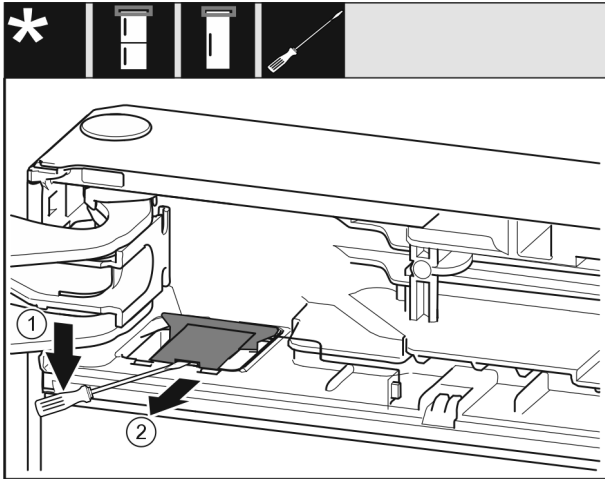


Fig. 12

- ▶ Use a flat-blade screwdriver to disengage the cover Fig. 12 (1).
- ▶ Remove the cover Fig. 12 (2).

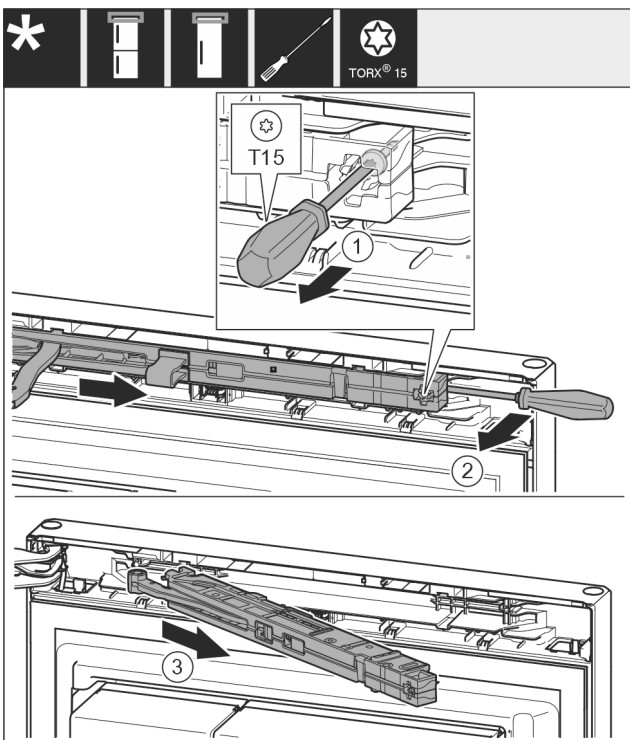


Fig. 13

- ▶ Use screwdriver to loosen the screw Fig. 13 (1) on the closing damper unit by 14 mm.
- ▶ Lever the closing damper unit Fig. 13 (2) forwards on the handle side using a screwdriver.
- ▶ Pull out the closing damper unit Fig. 13 (3).

## 15.2 Empty door racks

- ▶ Remove food from the door racks.
- ▶ Food does not fall out of the door when you remove the door.

## 15.3 Detaching the door

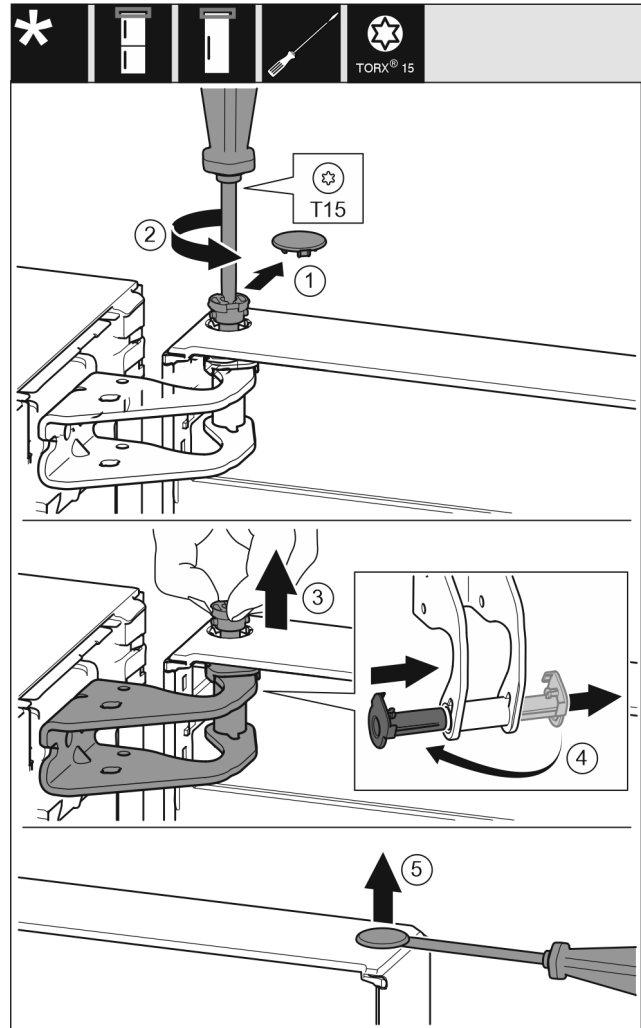


Fig. 14

- ▶ Carefully remove the cover (1).
- ▶ Use screwdriver to loosen the bolts (2) a little.



### CAUTION

Danger of injury due to door tipping out!  
If you remove the bolt on the door completely, the door may tilt out and you may injure yourself.

- ▶ Hold the door firmly before removing the bolt.
- ▶ Hold door in place.
- ▶ Pull out the bolt (3) with your fingers.
- ▶ Pull the bearing bush (4) out of the guide.
- ▶ Insert the bearing bush (4) on the other side and engage.
- ▶ Lift the door and put it to one side.
- ▶ Carefully lift and remove the cover (5) with a screwdriver.

# Door hinge change

## 15.4 Relocating the upper bearing components

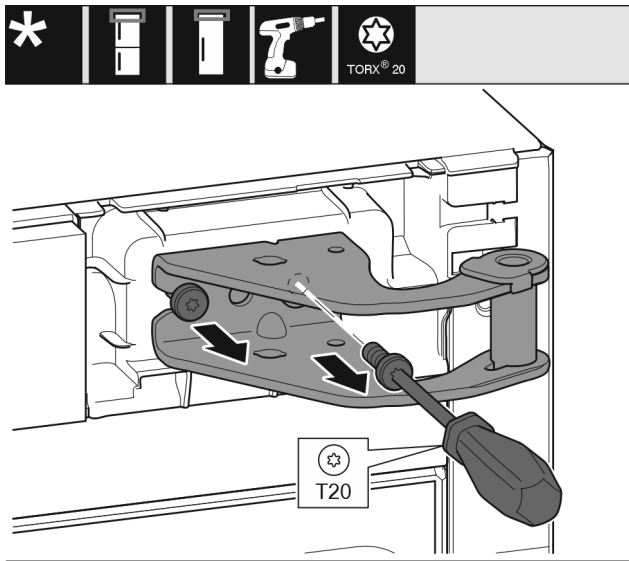


Fig. 15

- ▶ Unscrew the screws.
- ▶ Lift and remove the swap bearing block.



### WARNING

Danger of injury due to door falling out!

If the bearing parts are not screwed on tightly enough, the door may fall out. This can result in serious injuries. In addition, the door may not close with the result that the appliance does not cool properly.

- ▶ Screw on the bearing brackets/bearing pins tightly with 4 Nm.
- ▶ Check all screws and retighten them if necessary.

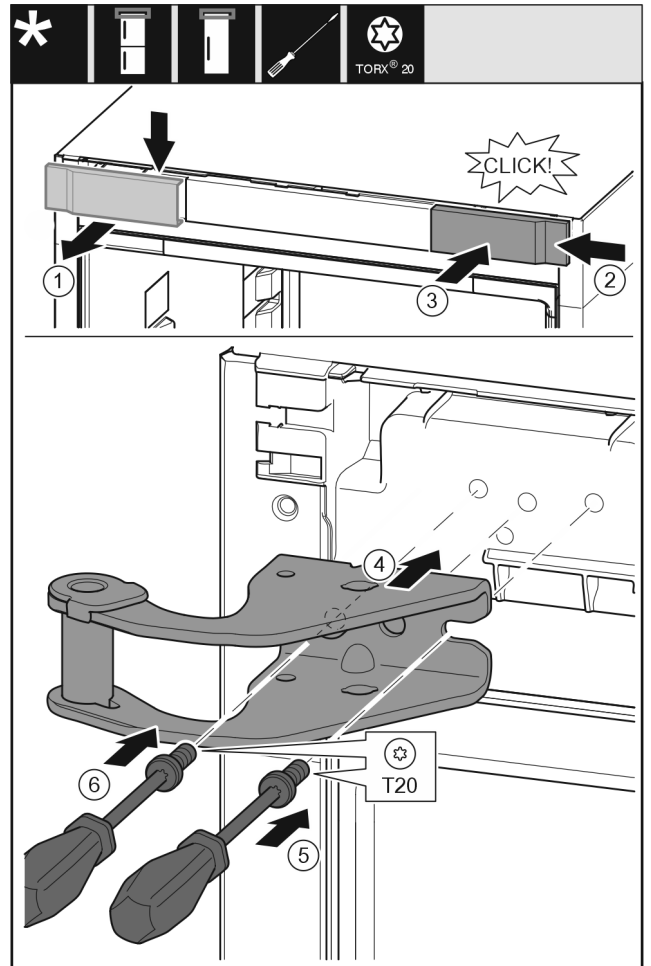


Fig. 16

- ▶ Remove the cover (1) from above towards the front.
- ▶ Turn the cover (2) by 180° and attach to the other side from the right.
- ▶ Engage the cover (3).
- ▶ Place the top swap bearing block (4).
- ▶ Screw the screw (5) tight.
- ▶ Screw the screw (6) tight.

## 15.5 Moving the lower bearing parts to the other side

For all appliances:



### WARNING

Danger of injury due to door falling out!

If the bearing parts are not screwed on tightly enough, the door may fall out. This can result in serious injuries. In addition, the door may not close with the result that the appliance does not cool properly.

- ▶ Screw on the bearing brackets/bearing pins tightly with 4 Nm.
- ▶ Check all screws and retighten them if necessary.

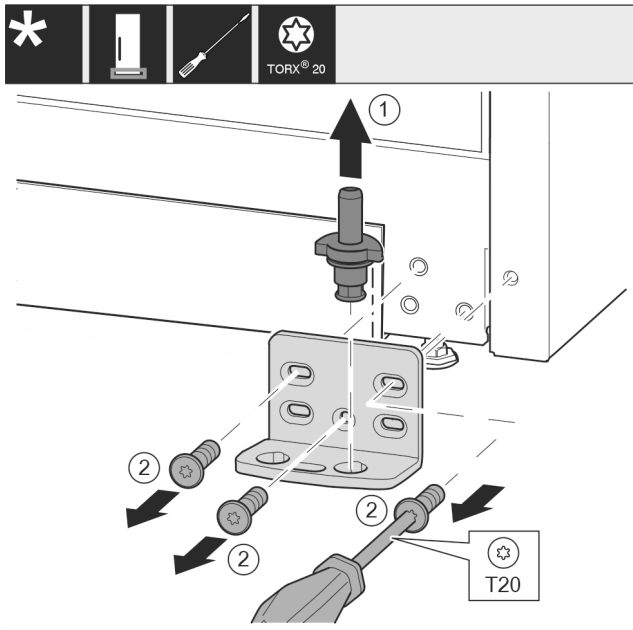


Fig. 17

- ▶ Pull the bearing bolt Fig. 17 (1) out upwards completely.
- ▶ Use screwdriver to unscrew the screws Fig. 17 (2) and remove the swap bearing block.

For all appliances:

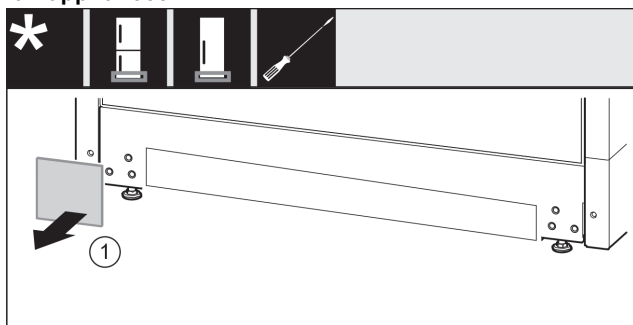


Fig. 18

- ▶ Remove cover Fig. 18 (1).

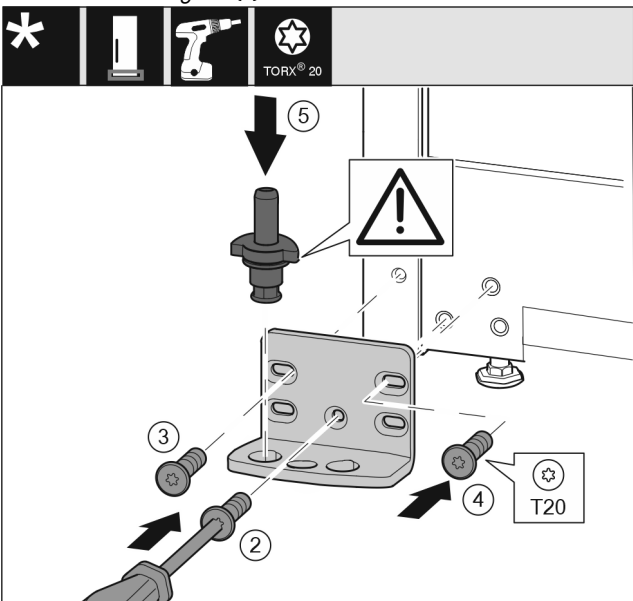


Fig. 19

- ▶ Place the swap bearing block on the other side and use a screwdriver to screw it on. Start with the screw Fig. 19 (2) at the bottom in the middle.
- ▶ Tighten screw Fig. 19 (3) and screw Fig. 19 (4).
- ▶ Insert the bearing bolt Fig. 19 (5) completely. Ensure that the latching cam is pointing towards the rear.

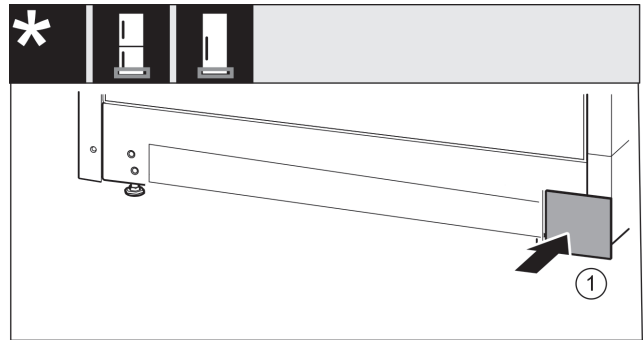


Fig. 20

- ▶ Re-attach the cover Fig. 20 (1) to the other side.

## 15.6 Moving the handles to the other side\*

For all appliances:

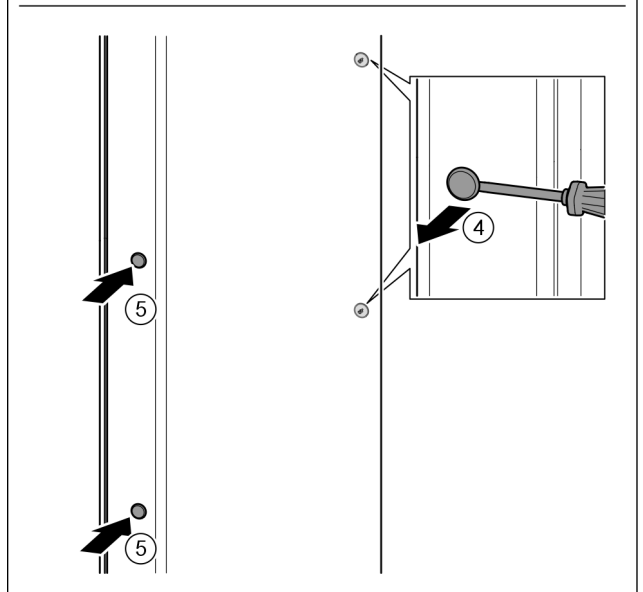
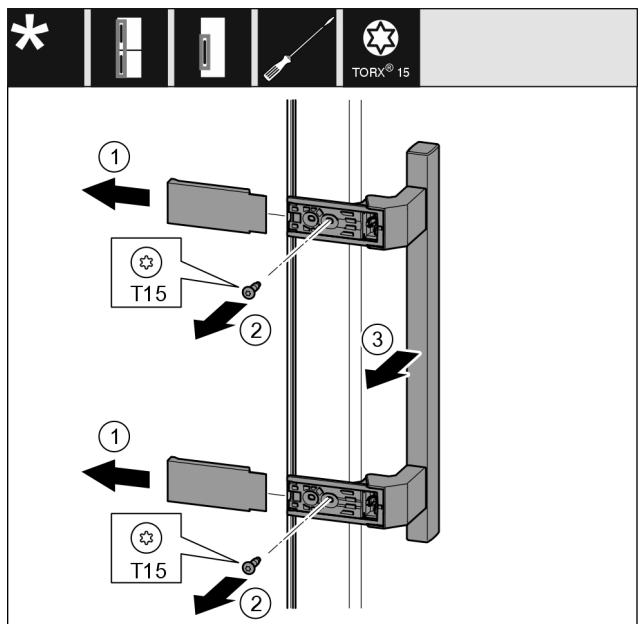


Fig. 21

- ▶ Remove the cover Fig. 21 (1).
- ▶ Unscrew screws Fig. 21 (2) with screwdriver.
- ▶ Remove the handle Fig. 21 (3).
- ▶ Use a slotted screwdriver to lift the side plug Fig. 21 (4) carefully and pull it out.

## Door hinge change

- ▶ Re-insert the plug Fig. 21 (5) on the other side.

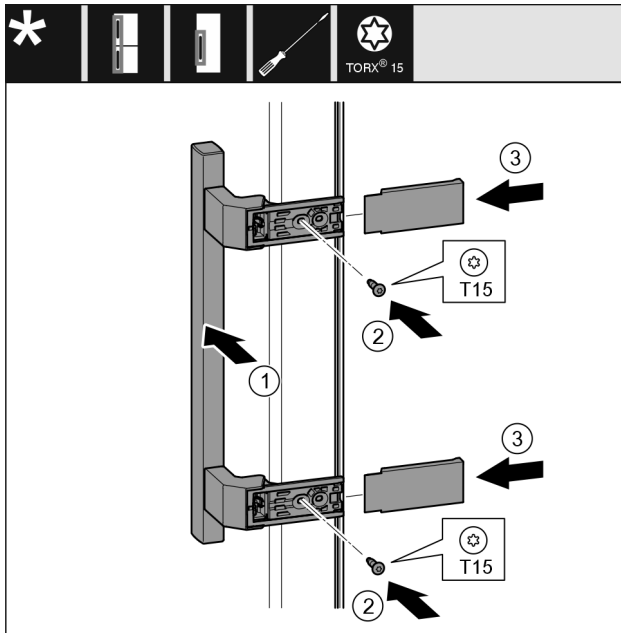


Fig. 22

- ▶ Place the handle Fig. 22 (1) on the opposite side.
- ▶ The screw holes must be exactly above each other.
- ▶ Tighten screws Fig. 22 (2) with screwdriver.
- ▶ Place the covers Fig. 22 (3) on the side and push them on.
- ▶ Ensure that they latch into place.

## 15.7 Fitting the door

- ▶ Place the door on the lower bearing pins.

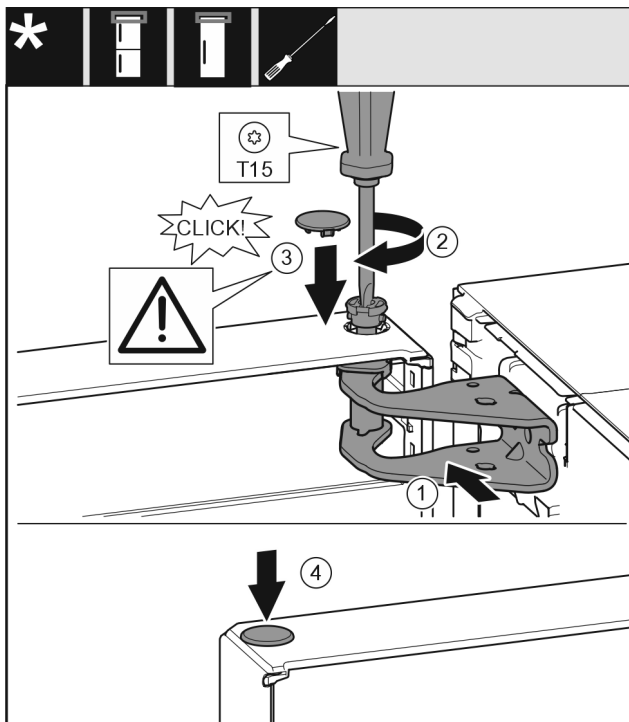


Fig. 23

- ▶ Align the top door with the opening in the swap bearing block Fig. 23 (1).
- ▶ Insert the bolt Fig. 23 (2) and use screwdriver to tighten it.
- ▶ Insert the cover Fig. 23 (3).
- ▶ Check that the cover Fig. 23 (3) is resting on the door.
- ▶ Insert the cover Fig. 23 (4).

## 15.8 Aligning the door

For all appliances:



### WARNING

Danger of injury due to door falling out!

If the bearing parts are not screwed on tightly enough, the door may fall out. This can result in serious injuries. In addition, the door may not close with the result that the appliance does not cool properly.

- ▶ Screw the bearing brackets on firmly with 4 Nm.
- ▶ Check all screws and retighten them if necessary.
- ▶ Align the doors flush with the appliance housing using the two slots in the bearing bracket if needed. To do this undo the middle screw in the bottom bearing bracket with the T20 tool supplied. Undo the remaining screws a little with the T20 tool or with a T20 screwdriver and align using the slotted holes.
- ▶ Prop up the door: Take off the adjustable foot on the bearing bracket using the open-ended wrench SW10 until it comes into contact with the floor, then turn an additional 90°.

## 15.9 Appliances with closing damper: Fitting the closing damper

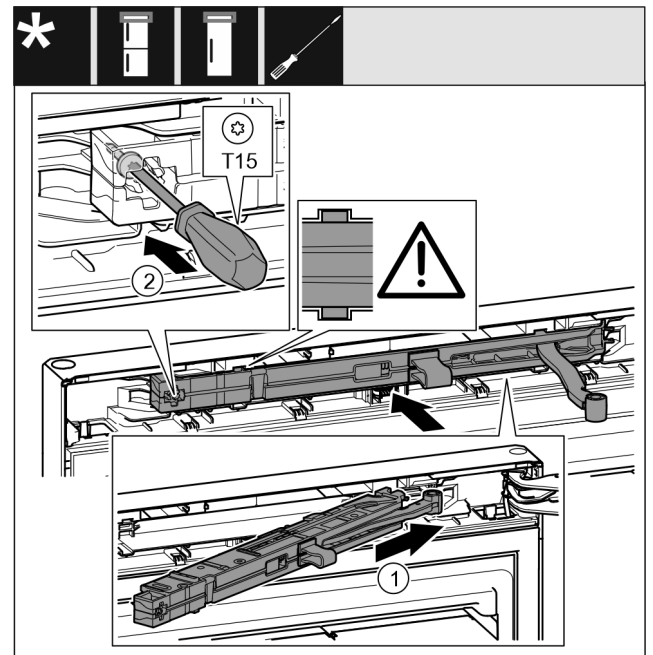


Fig. 24

- ▶ On the swap bearing block side, slide the closing damper unit Fig. 24 (1) into the recess at an angle up to the stop.
- ▶ Push the closing damper unit completely in.
- ▶ The closing damper unit is positioned correctly if the closing damper unit's rib is in the guide in the housing.
- ▶ Use a screwdriver to tighten the screw Fig. 24 (2).

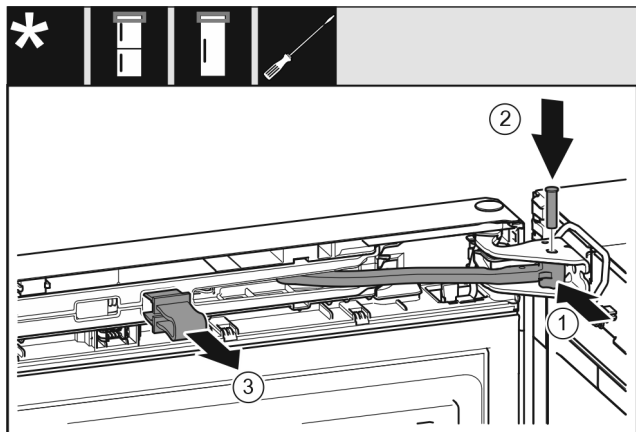


Fig. 25

The door is open 90°.

- ▶ Turn the joint Fig. 25 (1) in the bearing block.
- ▶ Insert the bolt Fig. 25 (2) into the bearing bracket and joint. Ensure that the latching cam is in the groove properly.
- ▶ Remove the safeguard Fig. 25 (3).

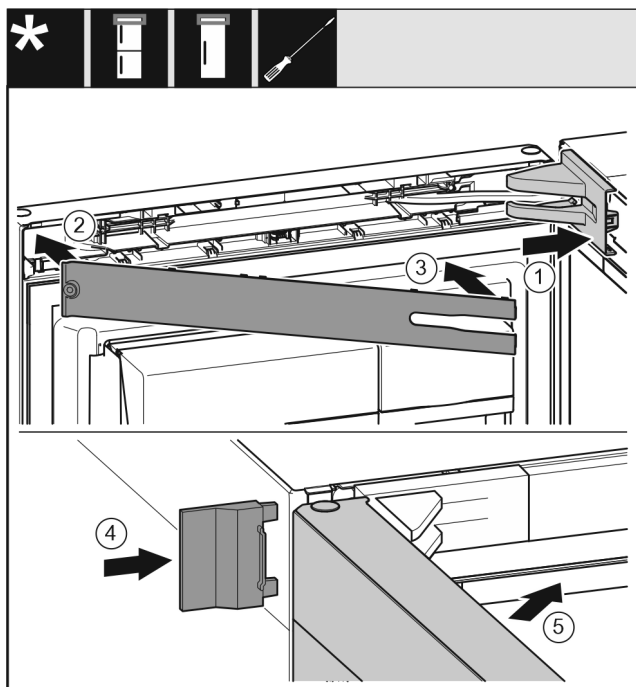


Fig. 26

- ▶ Put the swap bearing block cover Fig. 26 (1) on and engage, push apart carefully if required.
- ▶ Fit the trim Fig. 26 (2).
- ▶ Swivel in the cover Fig. 26 (3) and engage.
- ▶ Push the outer cover Fig. 26 (4) on.
- ▶ Close the upper door Fig. 26 (5).

## 16 Connecting the appliance to the power supply



### WARNING

Danger of electric shock and injury due to damaged appliance or damaged mains cable!  
 Danger of cuts and fatal injuries. If the appliance or the mains cable is damaged during transport, you may be electrocuted. You could also cut yourself on damaged parts of the appliance housing.

- ▶ Check the appliance and the mains cable for damage after transport.
- ▶ Never put the appliance into operation if the appliance or the mains cable are damaged.
- ▶ Contact Customer Service.

You can connect your appliance to the mains using the power cable supplied separately. The mains power cable has an appliance coupler at one end and a mains plug at the other end.

Make sure that the following requirements are fulfilled:

- The appliance and power cable are undamaged.
- The appliance is set up in accordance with the regulations. (see 8 Mounting wall spacers\*)
- Requirements for the electrical connection are met.
- Dimensions for connection in accordance with regulations are known and observed. (see 5 Connection dimensions for the power supply)
- Mains voltage and frequency correspond to the specifications on the type plate.
- The socket is earthed according to the regulations and fused.
- The fuse tripping current is between 10 A and 16 A.
- The socket is easily accessible and is not behind the appliance. (see 5 Connection dimensions for the power supply)

### NOTICE

Danger of damage to incorrect operation!  
 Damage to the electrical components of the appliance.

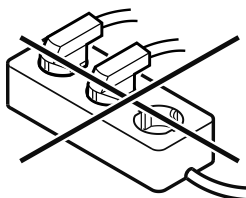
- ▶ Only use the supplied mains cable.



### WARNING

Danger of fire due to incorrect connection!  
 Burns.

- ▶ Damage to the appliance.
- ▶ Do not use an extension cable.
- ▶ Do not use distributor blocks.



### NOTICE

Danger of damage to incorrect connection!  
 Damage to the appliance.

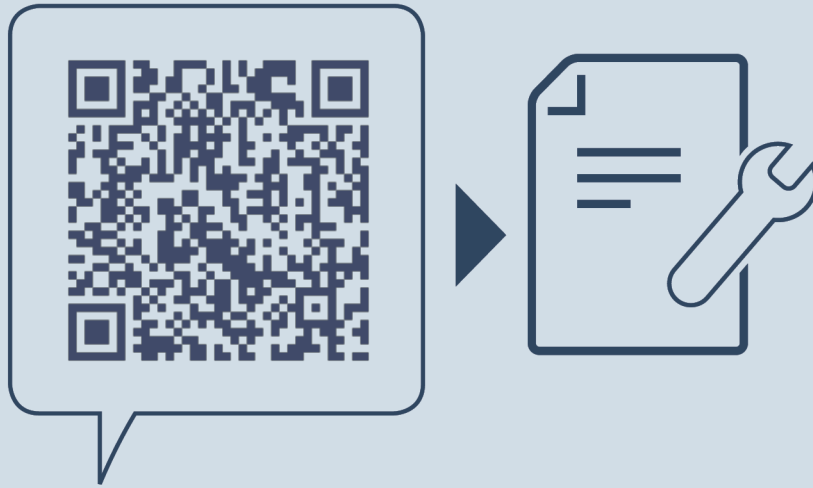
- ▶ Do not connect the appliance to a stand-alone inverter, e.g. solar power systems and petrol generators.
- ▶ Connect the mains cable plug to the power supply. Ensure that the plug is tightly in the socket.
- ▶ The Liebherr logo appears in the display.
- ▶ The display switches to the standby symbol.

## Connecting the appliance to the power supply

---

- ▷ If no action occurs within 60 seconds: The standby symbol fades or disappears.
- ▷ The appliance is connected. For information regarding first use, see the following section or the operating instructions.





[home.liebherr.com/fridge-manuals](https://home.liebherr.com/fridge-manuals)

**EN** Refrigerator

Issue date: 20260304

**Part number index: 7086345-00**

Liebherr-Hausgeräte Marica EOOD  
Bezirk Plovdiv  
4202 Radinovo  
Bulgarien