

---

# Pumping concrete with precision

---

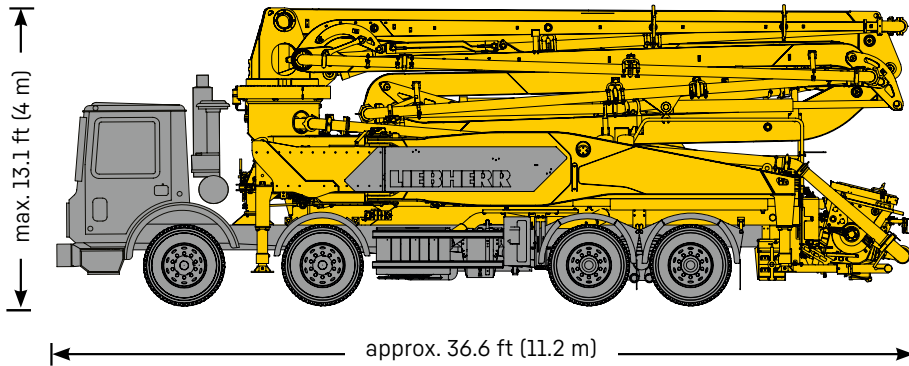
Flexible and reliable

# LIEBHERR

42 XXT truck mounted concrete pump



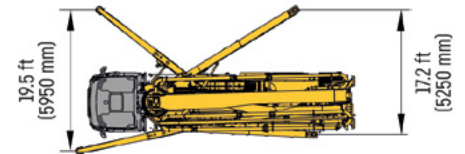
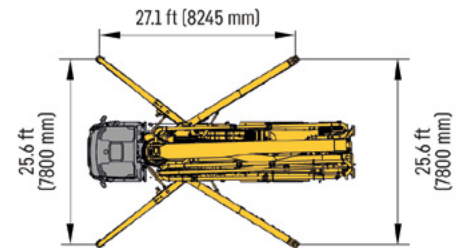
# Technical data 42 XXT



Standard version. Dimensions and total weight may change depending on pump type and chassis.

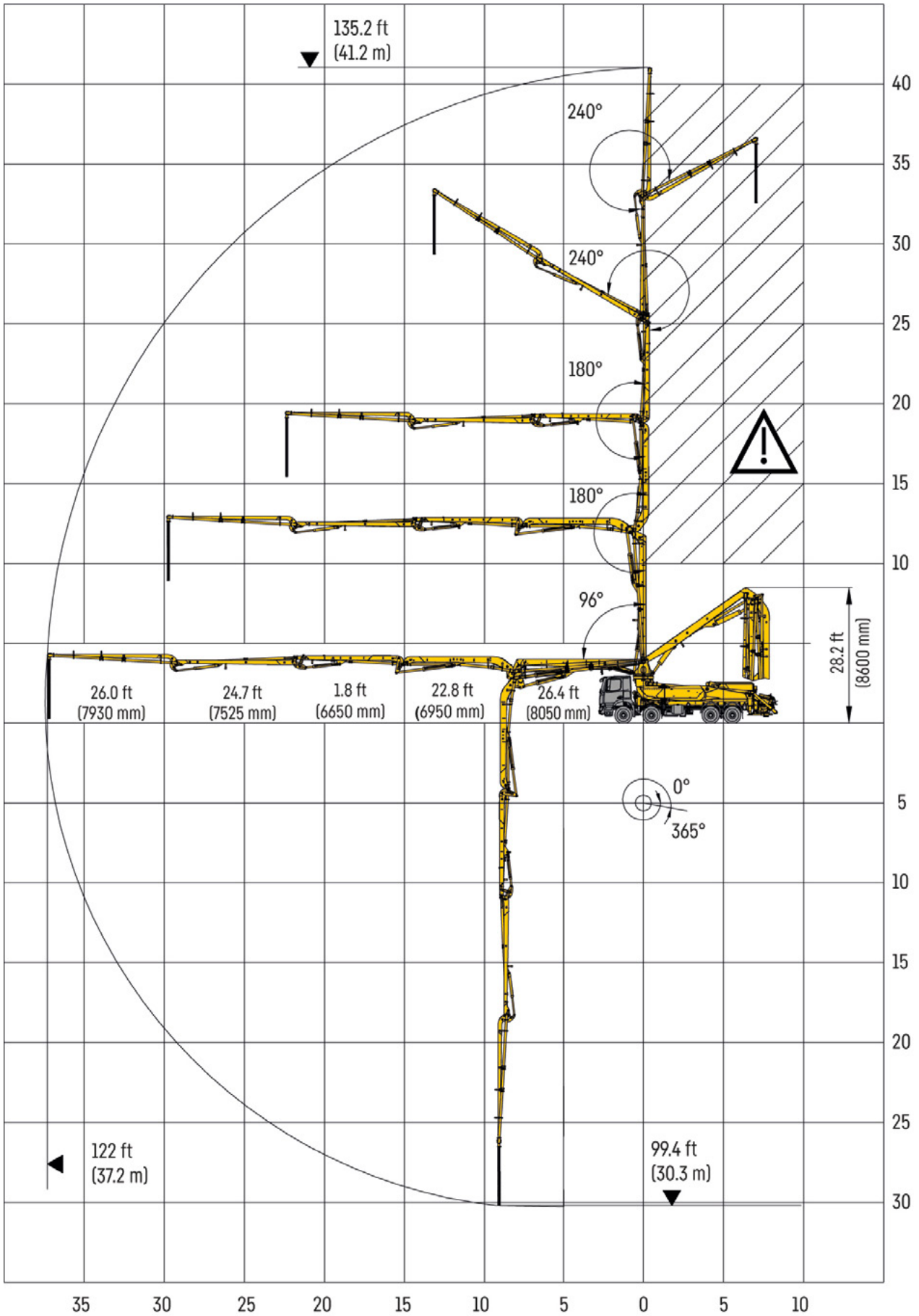
## Technical data\*

Boom	42 M5
Vertical range	135.2' (41.2 m)
Horizontal range	122' (37.2 m)
Unfolding height	28.2' (8.6 m)
Swivel range	365°
Angle range of arm 1	96°
Angle range of arm 2	180°
Angle range of arm 3	180°
Angle range of arm 4	240°
Angle range of arm 5	240°
Conveyor line diameter	125 mm
End hose length	4 m
Voltage	24 V



Concrete pump	THP 140 Powerbloc	THP 170 Powerbloc
Max. flow rate (piston side)	188 yd <sup>3</sup> /h (144 m <sup>3</sup> /h)	218 yd <sup>3</sup> /h (167 m <sup>3</sup> /h)
Max. concrete pressure (piston side)	1160 psi (80 bar)	1160 psi (80 bar)
Pump cycles (piston side)	29 strokes/min	34 strokes/min
Conveyor cylinder Ø x stroke	9" x 79" (230 mm x 2000 mm)	9" x 79" (230 mm x 2000 mm)
Concrete conveying volume / double stroke	43.9 gal (166 L)	43.9 gal (166 L)
Max. hydraulic pressure	5076 psi (350 bar)	5076 psi (350 bar)
Drive cylinder	4.3" x 3.15" x 79" (110 mm / 80 mm x 2000 mm)	4.3" x 3.15" x 79" (110 mm / 80 mm x 2000 mm)
Hopper capacity	158.5 gal (600 L)	158.5 gal (600 L)
Noise emission (L <sub>WA</sub> )	119 dB	119 dB

\* Theoretical performance, actual performance may vary



# We are here for you!

Personal. Capable. Reliable.



Concrete pumps



Mixing plants



Truck mixers



Conveyor belts



Measuring technology



Mixing systems



Concrete recycling systems

## Your powerful partner.

- Delivery and instruction by experienced service technicians
- Worldwide service network with over 90 service centers
- Technical support worldwide
- Fast availability of spare parts
- Professional maintenance and services

Liebherr USA, Co. · 4800 Chestnut Ave. · Newport News VA, 23607  
+1 757 240-4250 · [www.liebherr.com](http://www.liebherr.com) · [liebherr.usa@liebherr.com](mailto:liebherr.usa@liebherr.com)

Contact us

