



User Guide

Quality, Design and Innovation



[home.liebherr.com/fridge-manuals](http://home.liebherr.com/fridge-manuals)





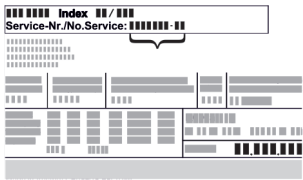
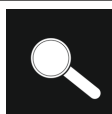



# LIEBHERR

# Contents

<b>1</b>	<b>General safety instructions.....</b>	<b>3</b>
<b>2</b>	<b>Appliance at a glance.....</b>	<b>4</b>
2.1	Scope of supply.....	4
2.2	Overview of appliance and equipment.....	4
2.3	Special features.....	4
2.4	Range of use of appliance.....	5
2.5	Appliance noise emissions.....	5
2.6	Conformity.....	5
2.7	SVHC substances according to REACH regulation.....	5
<b>3</b>	<b>Setting up and connecting.....</b>	<b>6</b>
3.1	Installation requirements.....	6
3.2	Appliance dimensions.....	6
3.3	Transporting the appliance.....	6
3.4	Unpacking appliance.....	7
3.5	Reversing the door opening direction.....	7
3.6	Aligning the door.....	14
3.7	Removing transport lock.....	15
3.8	Installing door handle.....	15
3.9	Mounting anti-tipping device.....	15
3.10	Installing appliance.....	16
3.11	Setting up the appliance so it is level.....	16
3.12	Installing multiple appliances.....	16
3.13	After installation.....	16
3.14	Disposing of packaging.....	17
3.15	Connecting the appliance to the power supply.....	17
<b>4</b>	<b>Functionality of the Touch display.....</b>	<b>17</b>
4.1	Navigation and symbol explanation.....	17
4.2	Menus.....	18
4.3	Sleep mode.....	18
<b>5</b>	<b>Putting into operation.....</b>	<b>19</b>
5.1	Switching on appliance (first use).....	19
<b>6</b>	<b>Storage.....</b>	<b>19</b>
6.1	Information regarding storage.....	19
<b>7</b>	<b>Controls.....</b>	<b>19</b>
7.1	Control and display elements.....	19
7.1.1	Status display.....	20
7.1.2	Display symbols.....	20
7.1.3	Acoustic signals.....	20
7.2	Appliance functions.....	20
7.2.1	Notes on the appliance functions.....	20
7.2.2	Switching appliance on and off.....	20
7.2.3	Temperature.....	21
7.2.4	Temperature recording.....	21
7.2.5	Settings menu access protection.....	22
7.2.6	Access code.....	23
7.2.7	Maintenance interval reminder.....	24
7.2.8	Language.....	24
7.2.9	Temperature unit.....	24
7.2.10	Display brightness.....	25
7.2.11	Alarm Sound.....	25
7.2.12	Key Sound.....	25
7.2.13	WiFi connection.....	26
7.2.14	LAN connection.....	27
7.2.15	Device information.....	28
7.2.16	Operating hours.....	28
7.2.17	Software.....	28
7.2.18	Sensor calibration.....	28
7.2.19	Temperature alarm.....	28
7.2.20	Door alarm.....	30
7.2.21	Alarm simulation.....	30
7.2.22	Alarm forwarding.....	31
7.2.23	Demo mode.....	31
7.2.24	Resetting to factory settings.....	32
7.3	Messages.....	32
7.3.1	Warnings.....	32
7.3.2	Reminder.....	34
<b>8</b>	<b>Features.....</b>	<b>34</b>

8.1	Safety lock.....	34
8.2	Sensors.....	34
8.3	Interfaces.....	34
<b>9</b>	<b>Maintenance.....</b>	<b>35</b>
9.1	Maintenance schedule.....	35
9.2	Defrosting appliance.....	36
9.3	Cleaning the appliance.....	37
<b>10</b>	<b>Customer help.....</b>	<b>37</b>
10.1	Technical specifications.....	37
10.2	Technical fault.....	38
10.3	Customer Service.....	38
10.4	Type plate.....	39
<b>11</b>	<b>Shutting down.....</b>	<b>39</b>
<b>12</b>	<b>Disposal.....</b>	<b>39</b>
12.1	Preparing appliance for disposal.....	39
12.2	Disposing of the appliance in an environmentally friendly manner.....	39
<b>13</b>	<b>Additional information.....</b>	<b>40</b>
<b>14</b>	<b>Quick Start Guide for everyday use.....</b>	<b>41</b>

The manufacturer is continually working on the further development of all types and models. Please be aware that we reserve the right to make changes to the shape, equipment and technology.

Symbol	Explanation
	<b>Read instructions</b> Please read the information in these instructions carefully to understand all of the benefits of your new appliance.
	<b>Additional information on the Internet</b> The digital manual with additional information and in other languages can be found via the QR code on the front of the manual or by entering the service number at <a href="http://home.liebherr.com/fridge-manuals">home.liebherr.com/fridge-manuals</a> . The service number can be found on the serial tag: 
	<b>Check appliance</b> Check all parts for transport damage. If you have any complaints, please contact your agent or customer service.
	<b>Differences</b> These instructions apply to a range of models, so differences are possible. Sections that apply to certain models only are marked with an asterisk (*).
	<b>Instructions and results</b> Instructions are marked with a ▶. Results are marked with a ▷.
	<b>Videos</b> Videos about the appliances are available on the YouTube channels of Liebherr-Hausgeräte.

## Open source licences:

The appliance contains software components that use open source licences. Information on the open source licences used can be found here: [home.liebherr.com/open-source-licences](https://home.liebherr.com/open-source-licences)

These operating instructions apply to:

- SFFfg 4001
- SFFfg 5501

## 1 General safety instructions

Please keep these operating instructions in a safe place so you can refer back to them at any time.

If you pass the appliance on, please hand these operating instructions to the next user.

Read these operating instructions carefully before use to ensure safe and correct use of the appliance. Follow the instructions, safety instructions and warning messages included at all times. They are important for ensuring you can operate and install the appliance safely and without any problems.

### Danger for the user:

- This appliance may only be used by specialist and laboratory personnel who have been trained for this purpose and are familiar with all safety measures pertaining to laboratory work. Children and persons with reduced physical, sensory or mental capabilities or lack of experience and knowledge must not commission or operate this appliance.
- The socket must be easily accessible so that the appliance can be disconnected quickly from the electricity supply in an emergency. It must not be located in the area behind the appliance.
- When disconnecting the appliance from the supply, always take hold of the plug. Do not pull the cable.
- In the event of a fault pull out the mains plug or deactivate the fuse.
- **WARNING:** Do not damage the mains power cable. Do not operate the appliance with a defective mains power cable.
- **WARNING:** Multiple sockets/distributors and other electronic equipment (such as halogen transformers) must not be placed or operated at the rear of the appliance.
- **WARNING:** Keep ventilation openings, in the appliance enclosure or in the built-in structure, clear of obstruction.
- **WARNING:** Dust deposits on fan blades! Risk of sparking due to friction!  
Do not store dusty objects in the appliance.  
The ventilation slots of the recirculation fan must be cleaned each month using a vacuum cleaner.
- Only customer service or other specially trained staff may repair or perform other operations on the appliance.
- Only assemble, connect and dispose of the appliance according to the instructions.

### Fire hazard

- The coolant used (information on the model plate) is ecofriendly but also flammable. Any leaking coolant may ignite.
  - **WARNING:** Do not damage refrigeration circuit.
  - Do not handle ignition sources inside the appliance.
  - **WARNING:** Do not use electrical appliances in the fridge compartment which do not comply with the design recommended by the manufacturer.
  - If the refrigerant leaks: remove any naked flames or ignition sources from the vicinity of the leakage point. Properly air the room. Inform customer services.
- Do not operate the appliance close to explosive gases.

- Do not store or use petrol or other flammable gases and liquids close to the appliance.
- Keep burning candles, lamps and other items with naked flames away from the appliance so that they do not set the appliance on fire.

### Danger of tipping and falling:

- **WARNING:** In order to prevent danger due to an unstable appliance, it must be fixed in accordance with the instructions.
- Do not misuse the plinth, drawers, doors etc. as a step or for support.

### Danger of frostbite, numbness and pain:

- Avoid prolonged skin contact with cold surfaces or refrigerated/frozen goods or take protective measures, e.g. wear gloves.

### Danger of injury and damage:

- **WARNING:** Do not use mechanical equipment or other methods to speed up the defrosting process other than those recommended by the manufacturer.
- **WARNING:** Risk of injury due to electric shock! There are live electrical parts under the cover.
- **NOTICE:** Appliance must only be used using original manufacturer accessories or using accessories from other providers approved by the manufacturer. The user bears the risk of using accessories which are not approved.

### Risk of crushing

- Do not hold the hinge when opening and closing the door. Fingers may get caught.

### Specialist personnel qualifications:

The appliance may only be installed, tested, maintained, and commissioned by specialist personnel who are familiar with the installation, commissioning, and operation of the appliance. Specialist personnel are persons who, on account of their specialist training, knowledge and experience as well as their knowledge of the relevant standards, are able to assess and perform the work assigned to them and identify potential hazards. They must have training, instruction, and authorisation to work on the appliance.

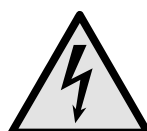
### Symbols on the appliance:



This symbol may be located on the compressor. It relates to the oil in the compressor and makes reference to the risk that: **Swallowing or inhaling can be fatal.** This advice is only relevant to recycling. There is no danger in normal operation.



**WARNING:** Danger of fire / flammable materials. This symbol is located on the compressor and indicates the danger of flammable materials. Do not remove the sticker.



The symbol is located on the back of the appliance near the alarm relay and indicates the following danger: **Electric shock!** Even if an appliance is disconnected from the mains there may still be extraneous voltage. Do not remove sticker.



This or a similar sticker may be located on the rear of the appliance. This sticker indicates that there are vacuum insulation panels (VIP) or perlite panels in the door and/or housing. This advice is only relevant to recycling. Do not remove the sticker.

# Appliance at a glance



**WARNING: Cold surface!** Only touch with suitable hand protection.  
This or similar sticker may be on the appliance and indicates the danger of frostbite.

Please note the warning messages and other specific advice in the other chapters:

	<b>DANGER</b>	Indicates an immediately hazardous situation which will lead to death or serious injuries if it is not avoided.
	<b>WARNING</b>	Indicates a hazardous situation which will lead to death or serious injuries if it is not avoided.
	<b>CAUTION</b>	Indicates a hazardous situation which will lead to minor or moderate injuries if it is not avoided.
	<b>NOTICE</b>	Indicates a hazardous situation which may lead to damage to property if it is not avoided.
	<b>Note</b>	Indicates useful instructions and tips.

## 2 Appliance at a glance

### 2.1 Scope of supply

Check all parts for transport damage. If you have any complaints, please contact your dealer or Customer Service. (see 10.3 Customer Service)

The delivery comprises the following parts:

- Free-standing appliance
- Equipment \*
- Installation materials \*
- Operating instructions
- Service brochure
- Quality certificate \*
- Mains cable
- Wall fastening kit

### 2.2 Overview of appliance and equipment

SFFfg 4001

SFFfg 5501

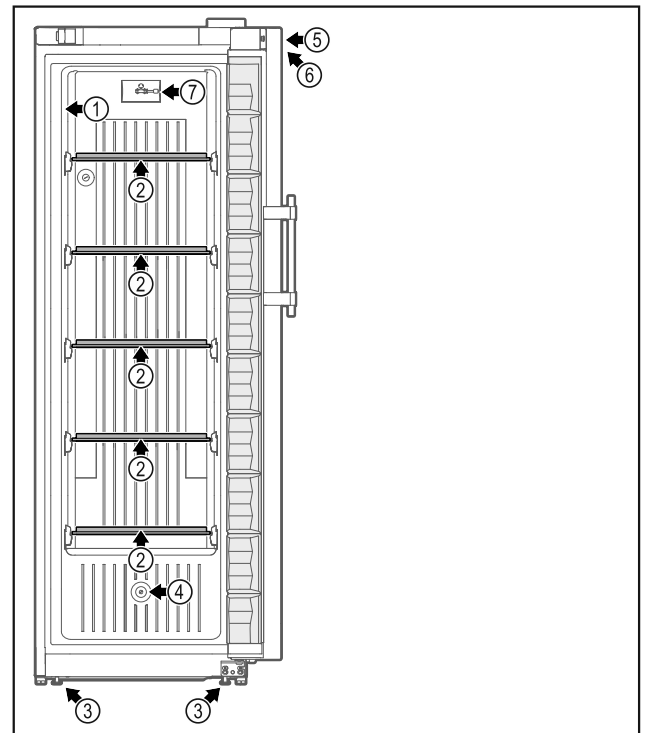


Fig. 1 Example illustration of the front

#### Equipment

- |                               |  |
|-------------------------------|--|
| (1) Type plate                | (5) Lock                                     |
| (2) Glass shelf               | (6) Control elements and temperature display |
| (3) Adjustable foot / roller* | (7) C sensor                                 |
| (4) Sensor feedthrough        |  |

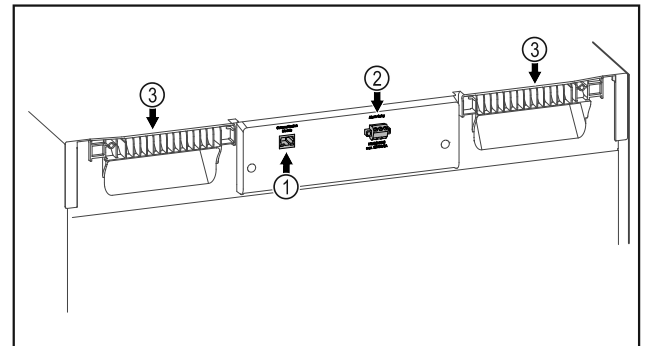


Fig. 2 Example illustration of the rear

#### Equipment

- |                                 |                  |
|---------------------------------|------------------|
| (1) LAN/WLAN interface*         | (3) Carrying aid |
| (2) Potential-free alarm output |                  |

### 2.3 Special features

#### Note

You can obtain accessories from customer service (see 10.3 Customer Service) or from specialised dealers via the dealer search on our service page on the Internet:

[home.liebherr.com](http://home.liebherr.com)

## SmartModule

The appliance can be equipped with a SmartModule. It is a WLAN and LAN interface for the connection between the appliance and an external documentation and alarm system such as Liebherr SmartMonitoring dashboard. Liebherr SmartMonitoring dashboard is not available in all countries. Check availability via the QR code (see 7.2.13 WiFi connection ) by entering your model.

## Retrofitting drawers

When retrofitting drawer systems in Liebherr refrigerators/freezers that are used to store temperature-sensitive materials such as medicines requiring refrigeration and refrigerated goods that are subject to special standard requirements, a temperature qualification is required. Retrofitting drawers in Liebherr refrigerators/freezers can lead to spoilage of the stored goods or damage to the stored goods. Therefore, retrofitting must only be carried out by authorised service providers of the refrigerator/freezer manufacturer.

The storage of temperature-sensitive substances requires the use of an independent, continuous monitoring alarm system. This alarm system must be designed in such a way that a responsible person can register any alarm status so that appropriate action can be taken.

## Foreseeable incorrect use

Do not use the appliance for the following applications:

- Storage and refrigeration of:
  - Chemically unstable substances
  - Blood, plasma or other body fluids for the purpose of infusion, application or introduction in the human body.
- Use in potentially explosive atmospheres.
- Use outdoors or in areas exposed to dampness and splashing water.

Improper use of the appliances will result in goods stored being damaged or spoiled.

## Climate classes

The applicable climate class for your appliance is printed on the type plate.

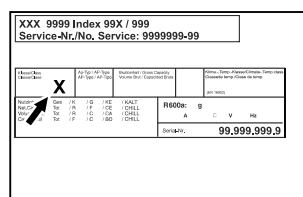


Fig. 4 Type plate

(X) This climate class indicates the ambient conditions in which the appliance can be safely operated.

Climate class (X)	max. room temperature	max. rel. humidity
7	35 °C	75%

## Note

The minimum permitted room temperature at the setup location is 10 °C.

## 2.5 Appliance noise emissions

The A-weighted emission sound pressure level during operation of the appliance is under 70 dB(A) (sound power rel. 1 pW).

## 2.6 Conformity

The coolant circuit has been tested for leak-tightness. The appliance complies with the relevant safety regulations.

The designated product complies with the provisions of the following European directives and regulations:

(EU) 2019/2020, 2014/35/EU, 2014/30/EU, 2011/65/EU, 2014/34/EU

The full text of the EU Declaration of Conformity is available at the following web address: [www.liebherr.de](http://www.liebherr.de)

## 2.7 SVHC substances according to REACH regulation

You can check whether your appliance contains SVHC substances according to REACH regulation at the following

## 2.4 Range of use of appliance

### Intended use

This laboratory freezer, with an interior free of ignition sources, is suitable for professional storage of highly flammable products in closed containers, at temperatures between -9 °C and -30 °C.

### Explosion-proof interior

The values relating to your appliance are printed on the sticker on the appliance door.



Fig. 3 Protection category: II 3/-G Ex ec IIC T6 Gc/-

The interior is permitted as a hazardous area as per 2014/34/EU (ATEX directive).

The following substances can be stored in suitable and tightly sealed containers:

- Research samples
- Reagents
- Laboratory inventory
- Chemicals such as ethanol, acetone, isopropanol, etc.

Observe the following specifications for storage:

- Observe the corresponding zone, explosion group and temperature class of the substances to be stored.
- Observe fire point temperature. The fire point temperature of the substances to be stored must be above temperature class T6 (> 85 °C).
- Refer to the relevant safety data sheet for the storage conditions of the products to be stored.
- Observe maximum storage quantities.
- Observe the prevailing directives if wanting to store different substances together.
- If unsure, consult with safety experts or suppliers as to whether the substance in question is suitable for storage.
- Observe local and specific directives and requirements to secure the safety of personnel and the facility.

# Setting up and connecting

link: [home.liebherr.com/de/deu/de/liebherr-erleben/nachhaltigkeit/umwelt/scip/scip.html](http://home.liebherr.com/de/deu/de/liebherr-erleben/nachhaltigkeit/umwelt/scip/scip.html)

## 3 Setting up and connecting

### 3.1 Installation requirements

The installation conditions are crucial to ensure that you can operate your appliance safely, efficiently and without problems.

- Observe all safety instructions.
- Consider the location and position in the room.



#### WARNING

Danger of fire due to incorrect positioning!

If the mains cable or plug touches the back of the appliance, the vibration can damage the mains cable or the plug resulting in a short circuit.

- ▶ Make sure the mains cable is not trapped under the appliance when you position the appliance.
- ▶ Stand the appliance so that it is not touched by connectors or main cables.
- ▶ Do not connect any appliances to sockets in the area of the back of the appliance.
- ▶ Do **not** place and operate multi-sockets/power distributors and other electronic devices (such as halogen transformers) at the back of the appliances.



#### WARNING

Fire hazard due to dampness!

If live parts or the mains lead become damp this may cause short circuits.

- ▶ The appliance is designed for use in enclosed areas. Do not operate the appliance outdoors or in areas where it is exposed to splash water or damp conditions.



#### WARNING

Leaking coolant and oil!

Fire. The coolant contained in the appliance is eco-friendly, but also flammable. The oil contained in the appliance is flammable. Escaping coolant and oil can ignite if the concentration is high enough and in contact with an external heat source.

- ▶ Do not damage the pipelines of the coolant circuit and the compressor.

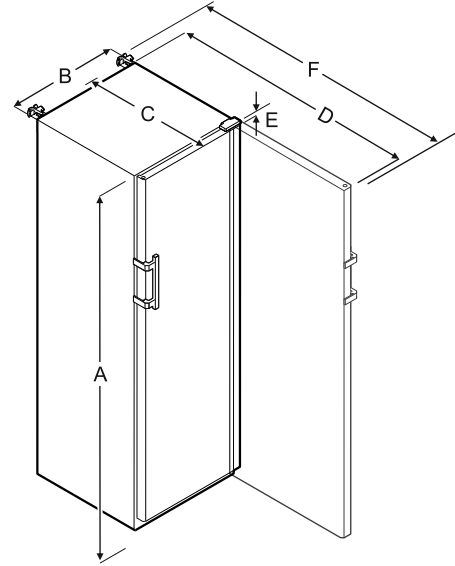
#### 3.1.1 Installation site

- A dry and well-ventilated room is an optimum installation location.
- If the appliance is installed in a very damp environment, condensation may form on the appliance exterior. Always make sure there is good ventilation and aeration at the installation site.
- The more refrigerant there is in the appliance, the larger the room must be in which it is located. In rooms that are too small, a leak can produce a flammable gas/air mixture. For every 8 g of refrigerant, the installation room must be at least 1 m<sup>3</sup> in size. Information on the refrigerant contained is given on the type plate inside the appliance.
- The floor on which the appliance stands must be horizontal and level.
- The site of use must be able to bear the weight of the device including the maximum load. (see 10.1 Technical specifications)

#### 3.1.2 Position in space

- Do not place the appliance in direct sunlight or near radiators or similar sources of heat.
- Always position the appliance with the rear directly on the wall.
- Use in hazardous areas is not permitted.

### 3.2 Appliance dimensions



	SFFfg 4001	SFFfg 5501
A	1884 mm	1684 mm
B	597 mm	747 mm
C	664 mm	779 mm
D	1203 mm	1468 mm
E	23 mm	23 mm
F	1241 mm	1506 mm

A = appliance height including feet/castors

B = appliance width without handle [handle depth = 45 mm]

C = appliance depth without handle [handle depth = 45 mm]

D = appliance depth with door open

E = hinge height

F = appliance depth with protruding handle and anti-tipping device

### 3.3 Transporting the appliance



#### WARNING

Risk of injury and damage due to the appliance tipping over!

- ▶ Pay attention to uneven floors and ramps when transporting appliances.

#### 3.3.1 Transporting the appliance for initial use

Ensure that the following requirements are met:

- The appliance is packaged.
- The appliance is upright.
- ▶ Transport the appliance with the help of two people.
- ▶ Unpacking the appliance.

## 3.3.2 Transporting the appliance after initial use

Observe the following instructions if you wish to transport or move the appliance again after initial use.

Ensure that the following requirements are met:

- ❑ The appliance is emptied.
- ❑ The appliance is upright.
- ❑ Appliance with door(s): Door is secured against accidental opening.
- ❑ Appliance with telescopic unit: The telescopic unit is secured against accidental opening.
- ❑ Appliance with adjustable feet: Adjustable feet are screwed in.

► Transport the appliance with the help of two people.

After transport:

- Unscrew the adjustable feet on the appliance.
- Align the appliance.

## 3.4 Unpacking appliance

- Check the appliance and the packaging for damage during transport. Contact the supplier immediately if you suspect any damage. Do not connect appliance to the power supply.
- Remove all packaging materials from the rear or the side walls of the fridge that may prevent proper installation or prevent air flow and ventilation.

## 3.5 Reversing the door opening direction

Tools



### WARNING

Risk of injury if the door is not reversed correctly!  
► Replace the door hinge with specialist personnel.



### WARNING

Risk of injury and material damage due to heavy door!  
► Only perform the conversion if you can carry a weight of 25 kg.  
► Always have someone help you carry out the conversion.

### NOTICE

Live parts!  
Damage to electrical components.  
► Remove the mains plug before you reverse the door.

► Open the door.

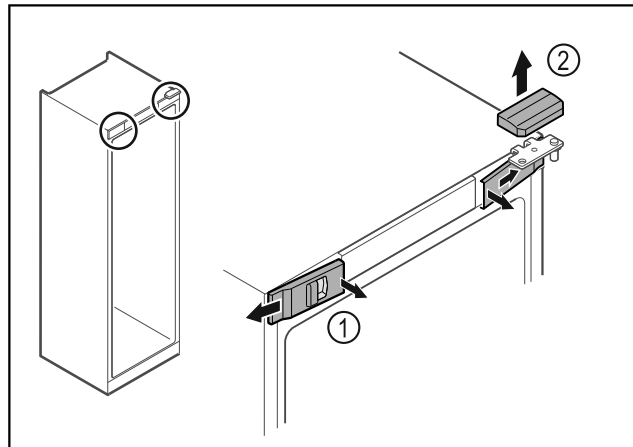


Fig. 5

- Unlatch the front covers Fig. 5 (1) on the inside and remove them sideways.
- Lift off the upper cover Fig. 5 (2).

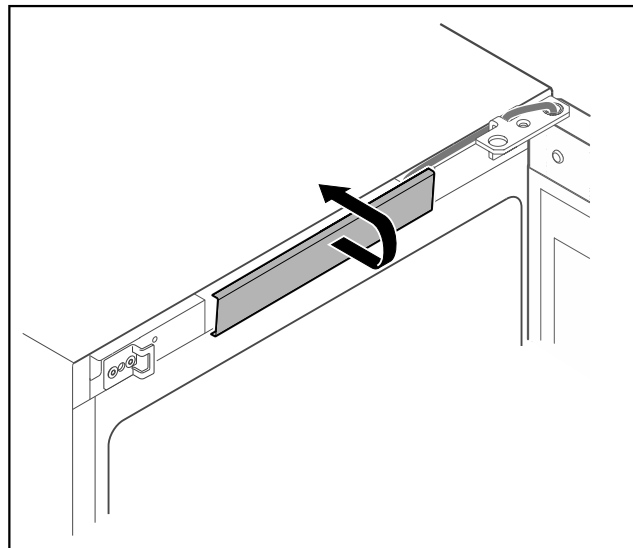


Fig. 6

- Unlatch the middle cover and remove it.

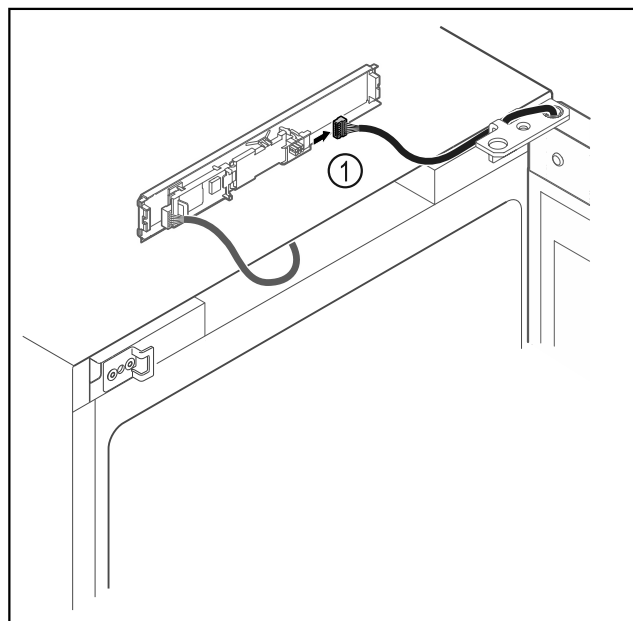


Fig. 7

- Disconnect the plug Fig. 7 (1) from the circuit board.

# Setting up and connecting

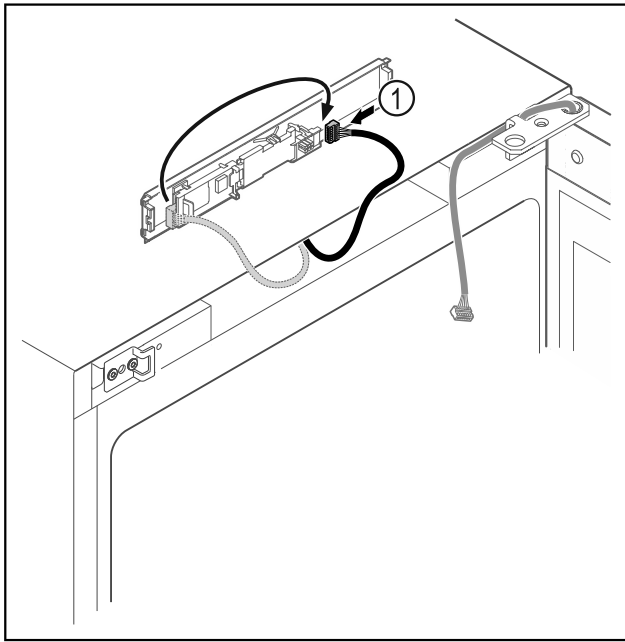


Fig. 8

- ▶ Connect the plug Fig. 8 (1) to the circuit board.

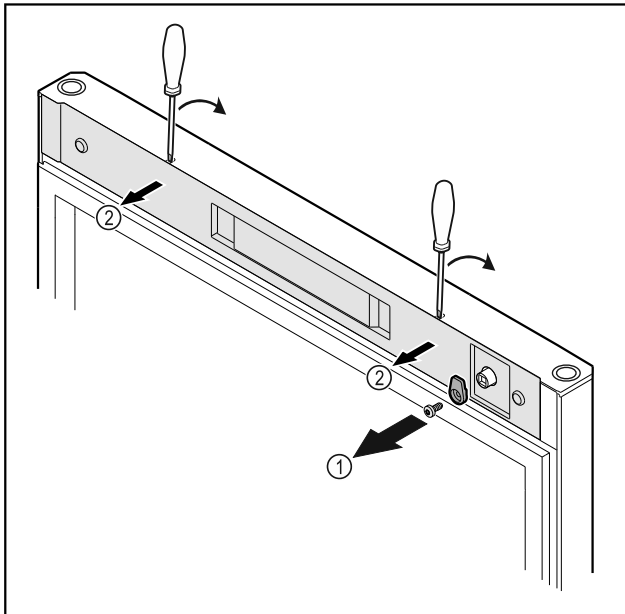


Fig. 9

- ▶ Unscrew the door latch Fig. 9 (1).
- ▶ Unlatch the cover Fig. 9 (2) with a small screwdriver and remove it.

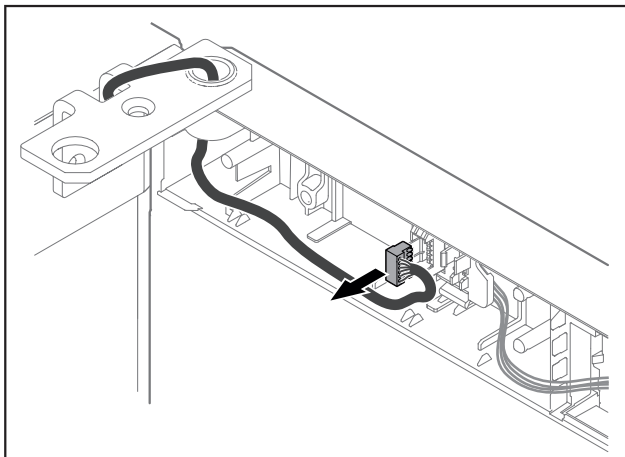


Fig. 10

- ▶ Remove the plug from the plug holder.  
-or-

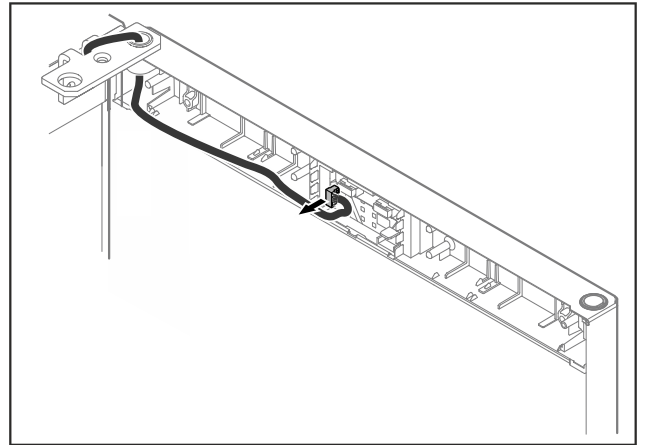


Fig. 11

- ▶ Remove the plug from the circuit board.

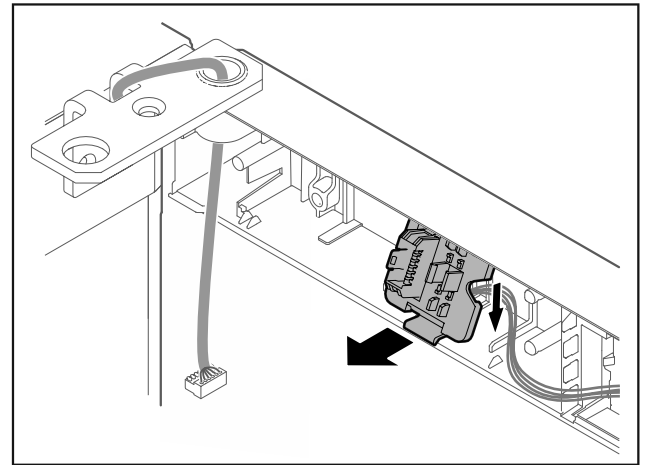


Fig. 12 The installation position for the plug holder can be rotated by 180°.\*

- ▶ Unlatch the plug holder.\*

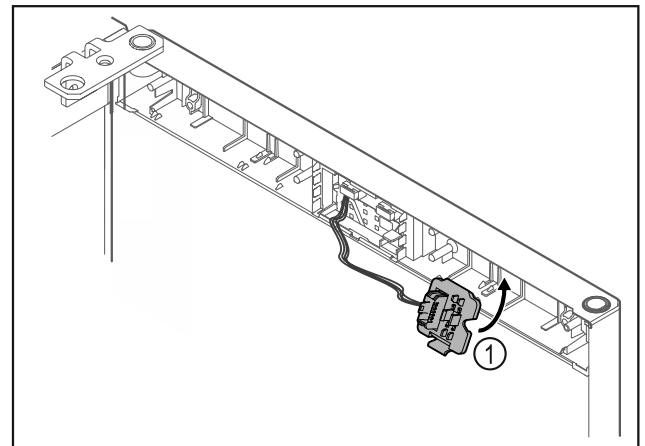


Fig. 13

- ▶ Engage the plug holder Fig. 13 (1) on the opposite side.\*

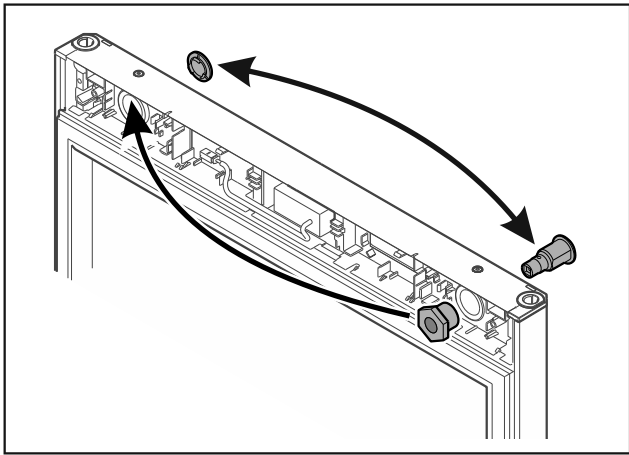


Fig. 14

- ▶ Put the lock and cover on the opposite side.  
-or-

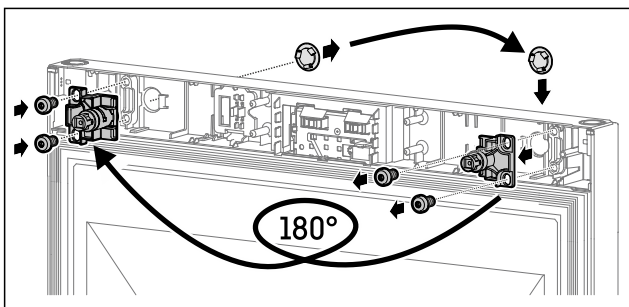


Fig. 15

- ▶ Put the lock and cover on the opposite side.

## NOTICE

Risk of injury if the door tips out!

- ▶ Hold the door.

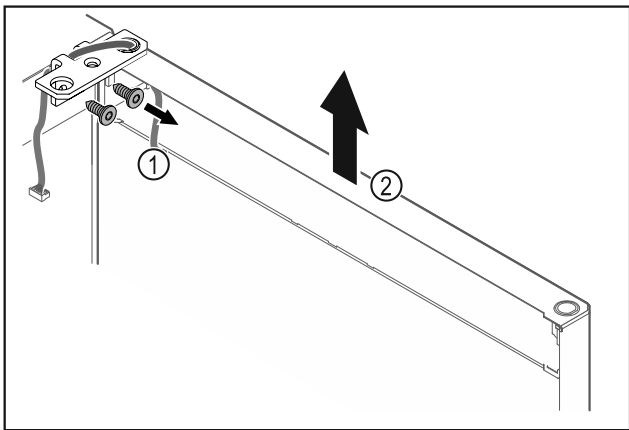


Fig. 16

- ▶ Unscrew the hinge Fig. 16 (1).
- ▶ Lift the door with the hinge straight up by Fig. 16 (2) roughly 200 mm and take it off.
- ▶ Carefully place the door on a soft surface.

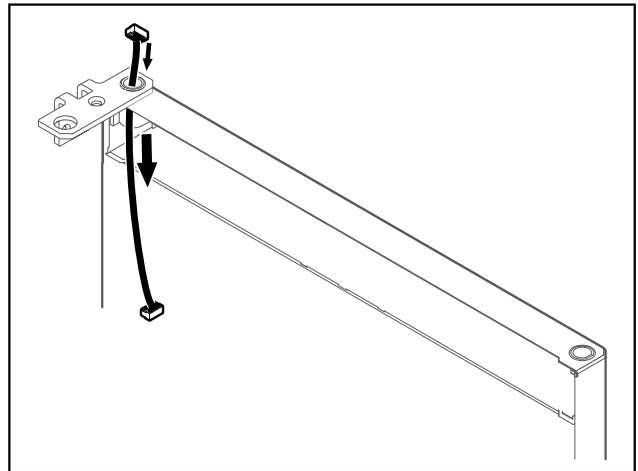


Fig. 17

- ▶ Carefully pull out the cable.

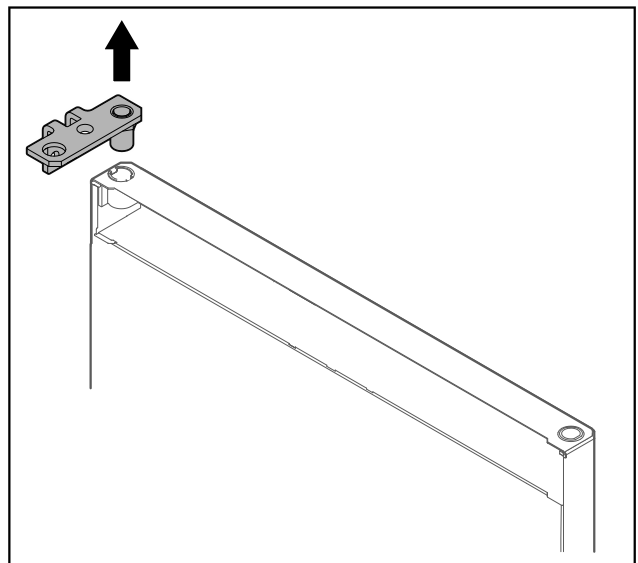


Fig. 18

- ▶ Pull out the hinge.

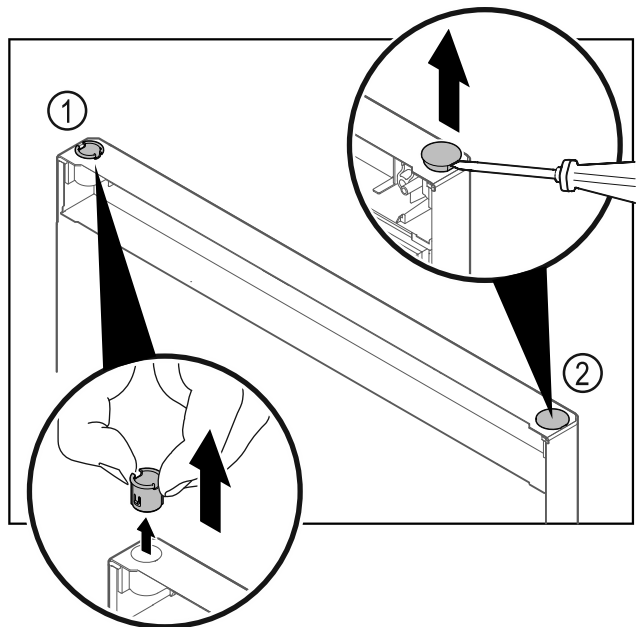


Fig. 19

- ▶ Pull out the hinge bushing Fig. 19 (1) with your fingers.
- ▶ Carefully lift the cover plug Fig. 19 (2) with a slotted screwdriver and pull it out.

# Setting up and connecting

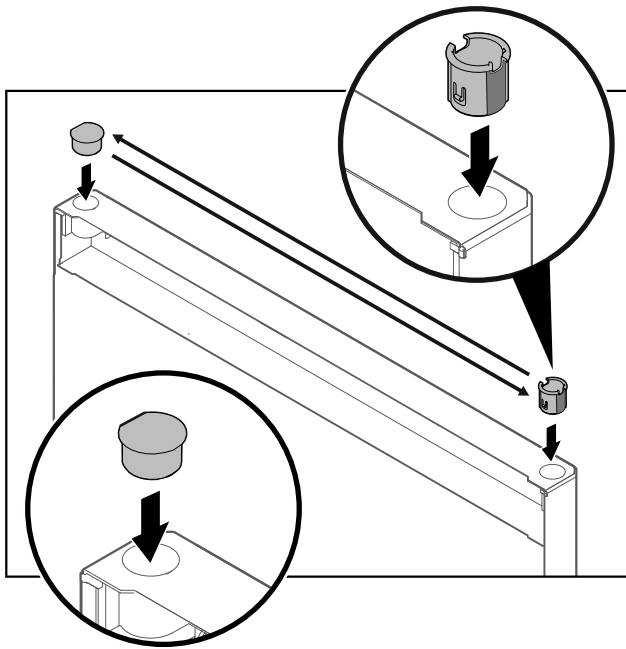


Fig. 20

- ▶ Insert hinge bushing and cover plug on the opposite side (the flattened sides face outwards).

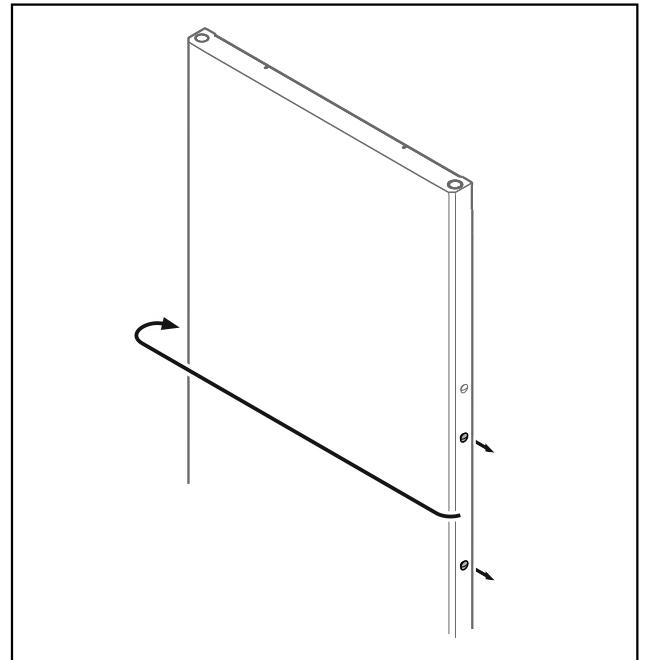


Fig. 22

- ▶ Put the stopper on the opposite side.

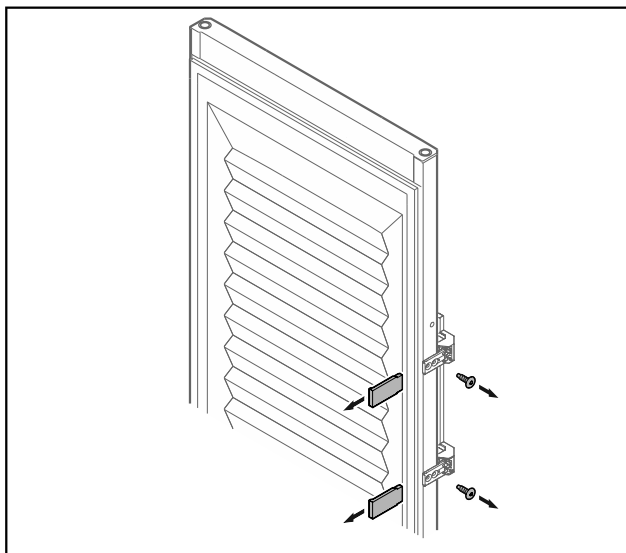


Fig. 21 Insulated door

- ▶ Remove the panels.
- ▶ Unscrew the handle.

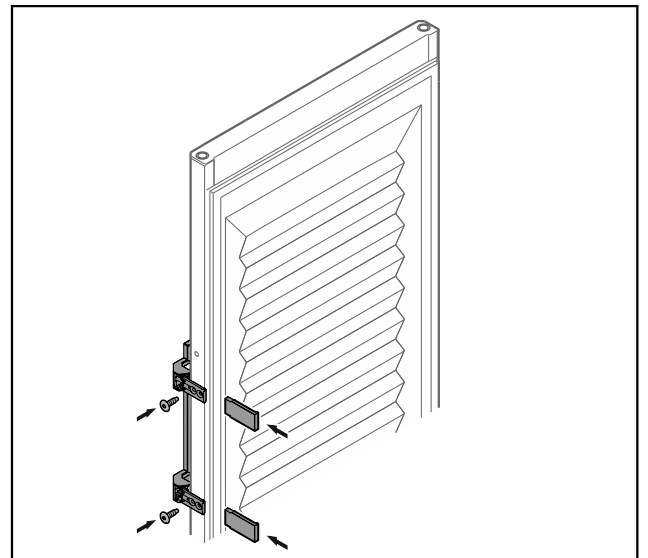


Fig. 23 Insulated door

- ▶ Screw the handle onto the opposite side.
- ▶ Attach the panels.

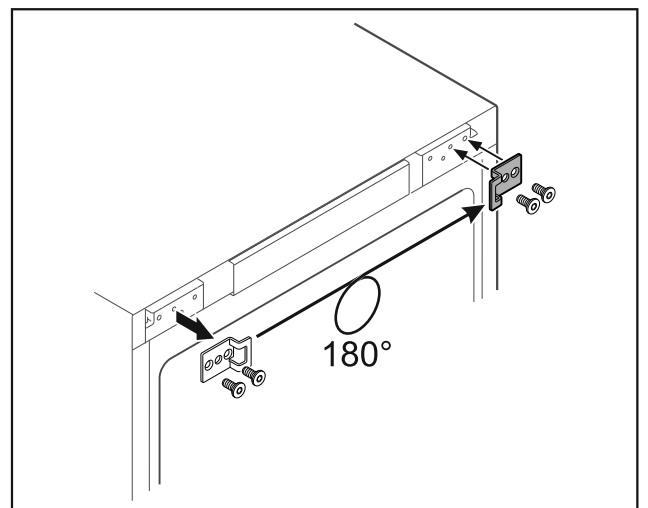


Fig. 24

- ▶ Put the closing bracket on the opposite side.

### Note

The holes are pre-marked and must be pierced with the self-tapping screws.

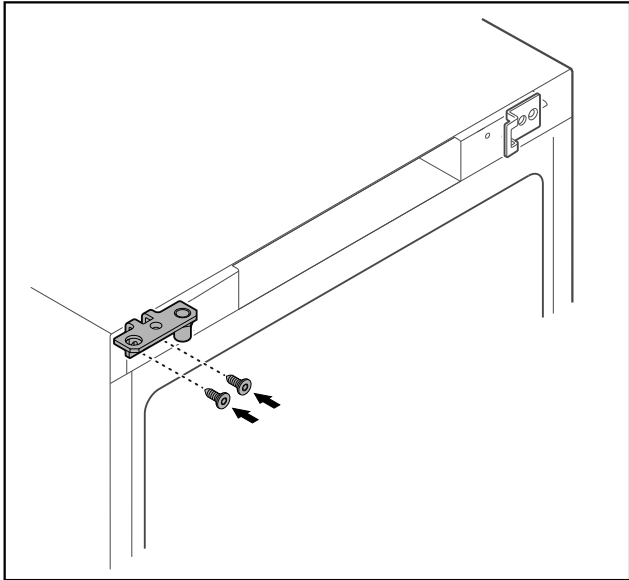


Fig. 25

- ▶ Move the hinge to the opposite side.



### WARNING

Risk of injury and material damage if the door tips out!

- ▶ Tighten the bearing pins to the specified torque.

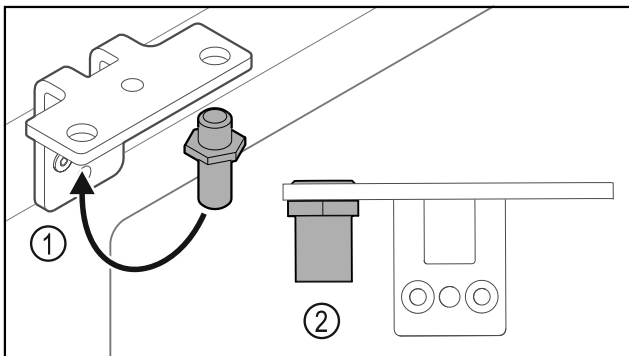


Fig. 26

- ▶ Put the pin back into the hinge Fig. 26 (1).
- ▶ Tighten the pin Fig. 26 (2) to a **torque of 12 Nm**.
- ▶ Unscrew the hinge again.

### NOTICE

Risk of injury due to tensioned spring!

- ▶ Do not disassemble the door closing system Fig. 27 (1).

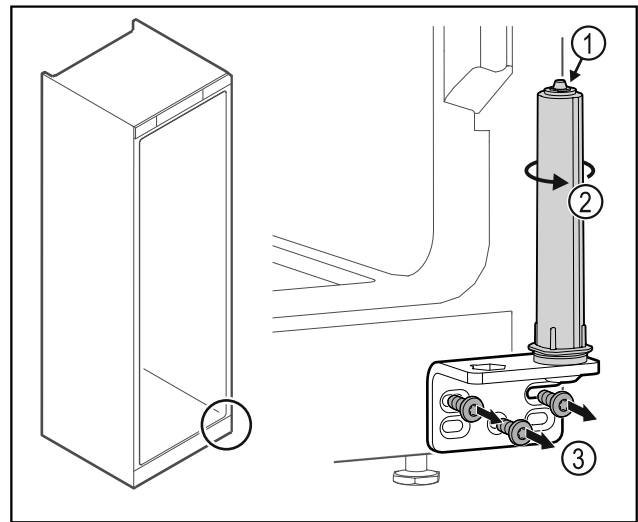


Fig. 27

- ▶ Turn the closing system Fig. 27 (2) until it clicks.
- ▶ The tension of the closing system is released.
- ▶ Unscrew the hinge Fig. 27 (3).

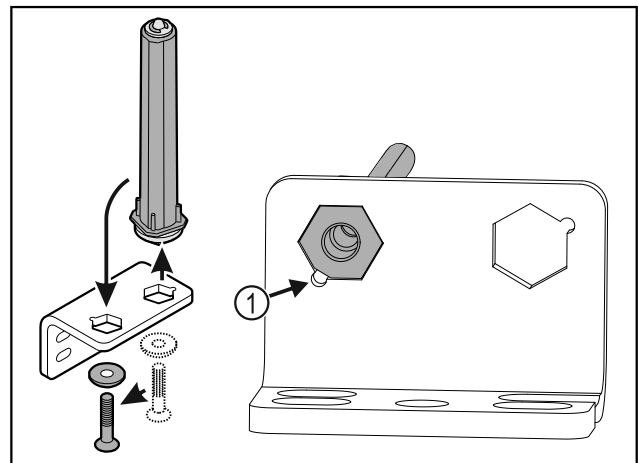


Fig. 28

- ▶ Put the door closing system in the hinge.
- ▶ Make sure the pin chamfer Fig. 28 (1) faces the round hole when you put it in.

-or-

### Note

Incorrect alignment of the height adjustment washers. Nuts no longer have sufficient hold.

- ▶ The washer must lock into the underside of the closing system.

# Setting up and connecting

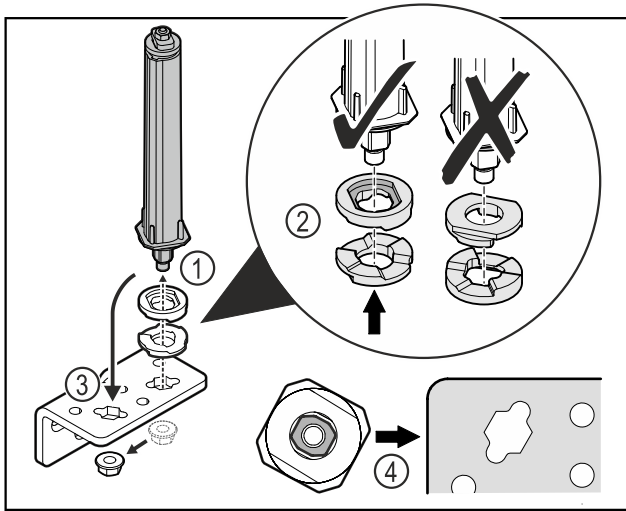


Fig. 29

- ▶ Loosen the nut and remove the door closing system Fig. 29 (1).
- ▶ Observe the correct alignment of the height adjustment washers Fig. 29 (2).
- ▶ Put the door closing system in the hinge and fix in place with the nut Fig. 29 (3).
- ▶ Observe the correct alignment of the door closing system when doing so Fig. 29 (4).

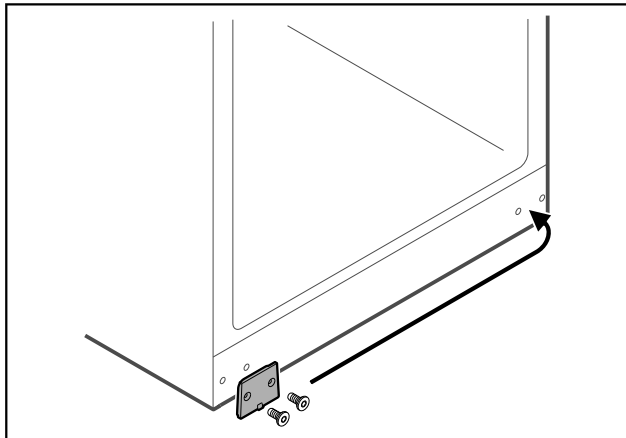


Fig. 30

- ▶ Put the cover plate on the opposite side.

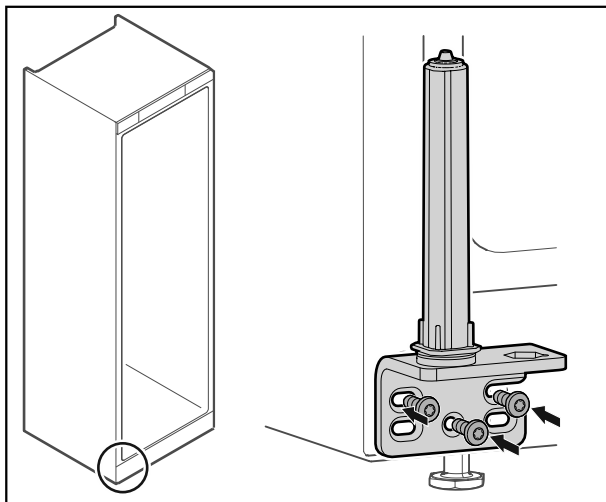


Fig. 31

- ▶ Screw the hinge onto the opposite side.

## Note

Correct alignment and tension are important for the closing system to work properly.

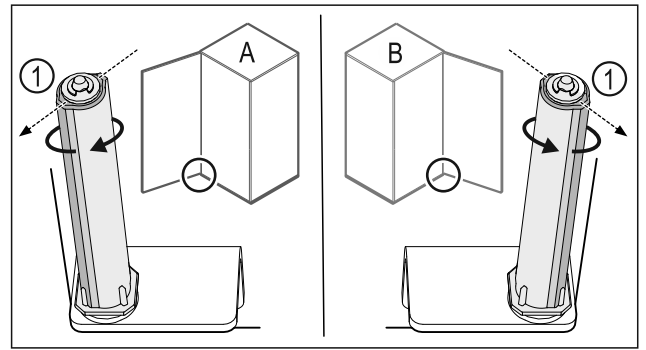


Fig. 32 Left-hinged (A) / Right-hinged (B)

- ▶ Turn the closing system against the resistance until the bar of the closing system Fig. 32 (1) points outwards.
- ▶ The closing system automatically stays in this position.
- ▶ The closing system is now aligned and tensioned.

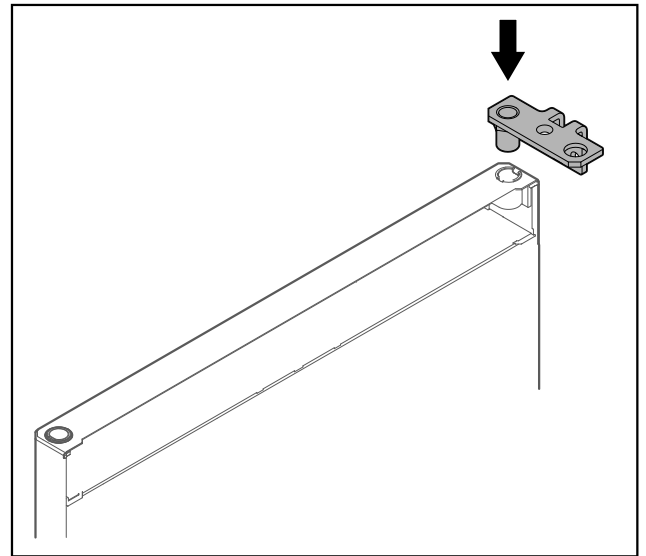


Fig. 33

- ▶ Put the hinge into the door.

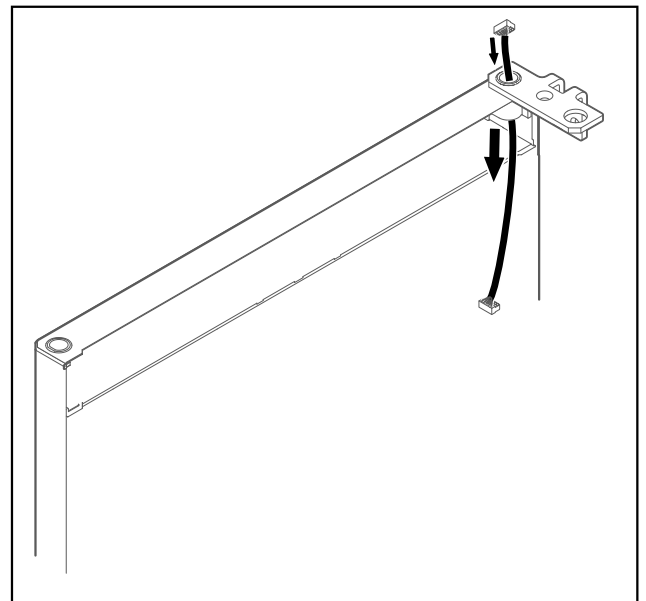


Fig. 34

- ▶ Carefully push the cable through.

## NOTICE

- Risk of injury if the door tips out!
- Hold the door.

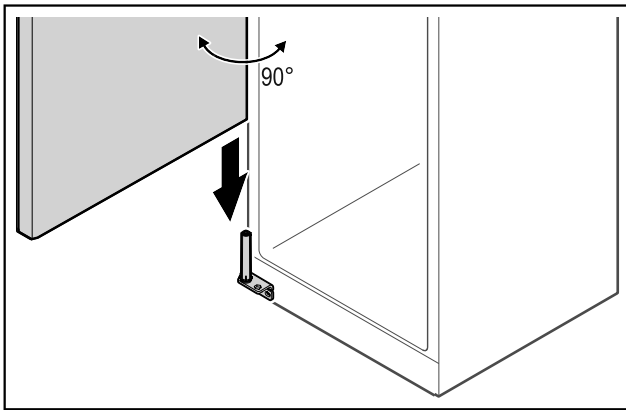


Fig. 35

- Together with a second person, lift the door from the ground.
- Carefully put the door on the closing system with the door opened at a 90° angle.

## NOTICE

- Material damage due to incorrect mounting!
- Do not pinch the cable when mounting the hinge.

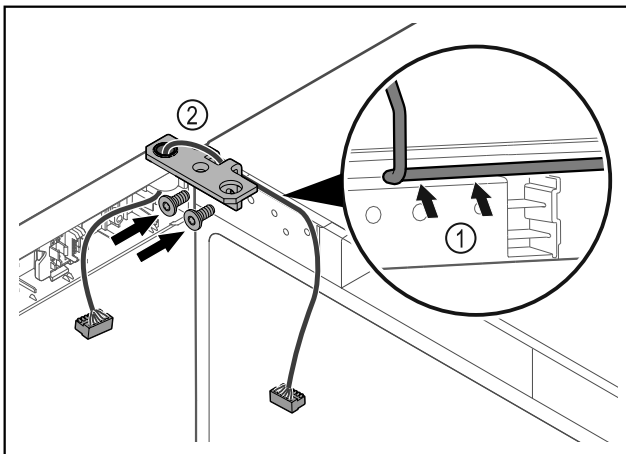


Fig. 36

- Feed the cable through the recess in the hinge and lay it carefully Fig. 36 (1).
- Screw on the hinge Fig. 36 (2).

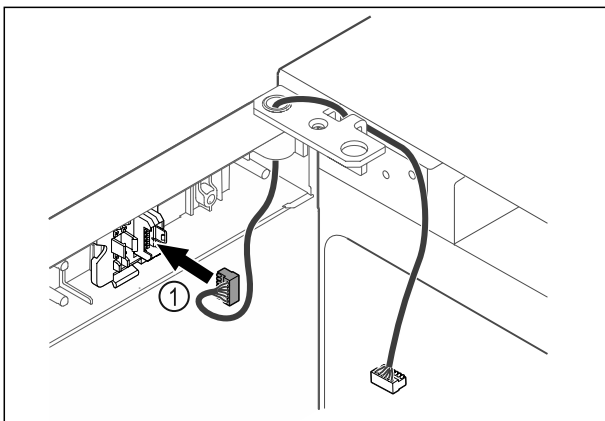


Fig. 37

- Put the plug Fig. 37 (1) in the plug holder.
- or-

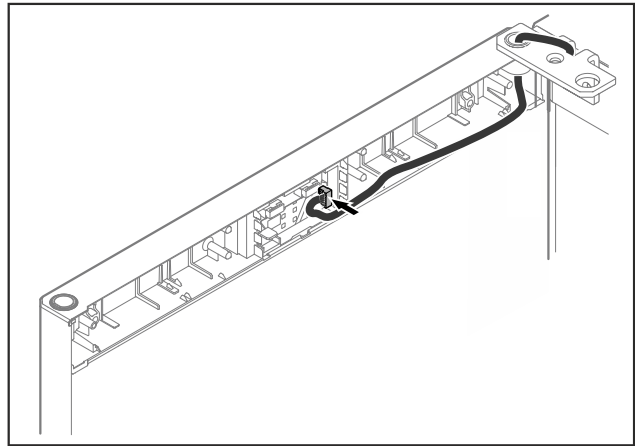


Fig. 38

- Plug the connector into the circuit board.

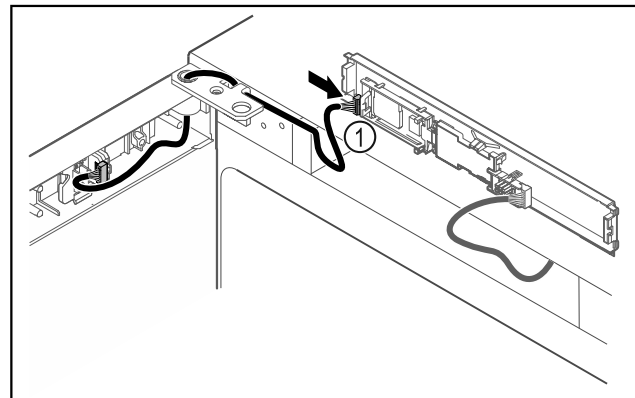


Fig. 39

- Connect the plug Fig. 39 (1) to the circuit board.

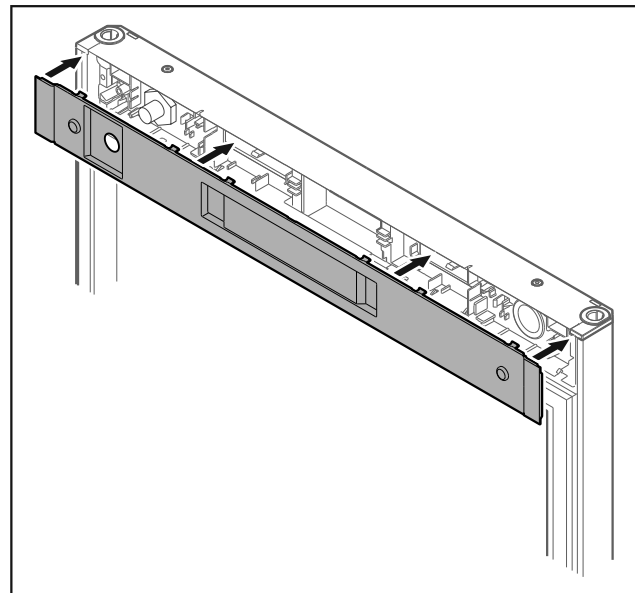


Fig. 40

- Set the cover back in place.

# Setting up and connecting

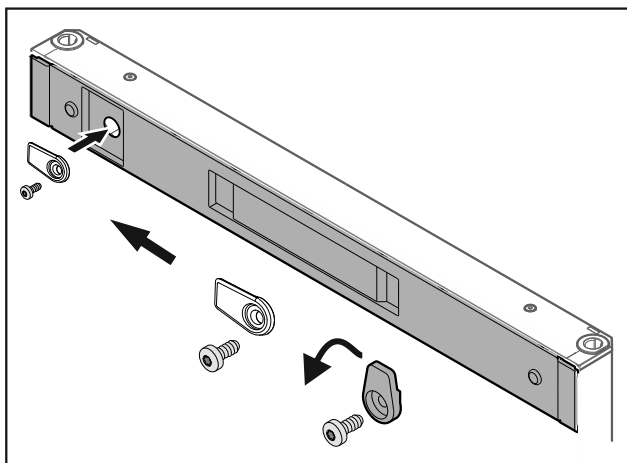


Fig. 41

- ▶ Screw on the door latch.

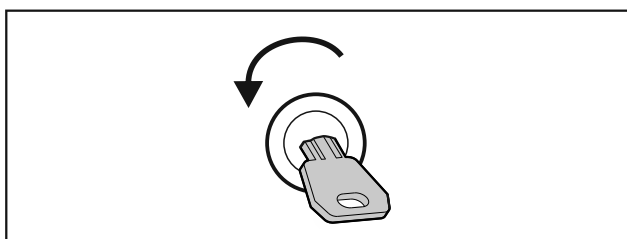


Fig. 42

- ▶ Open the door.

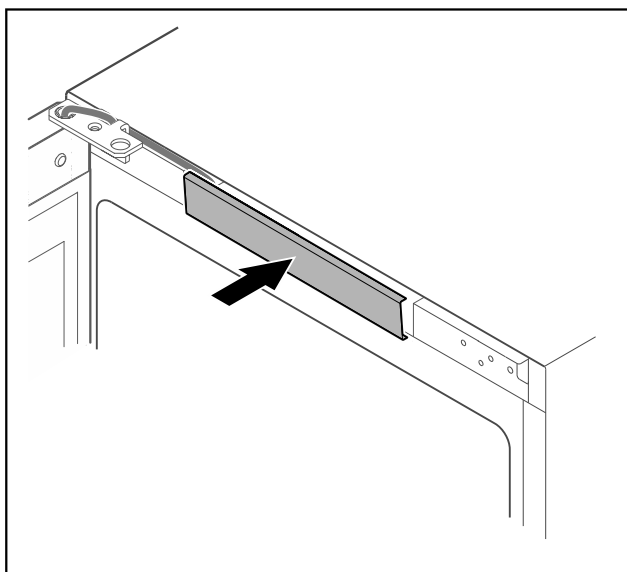


Fig. 43

- ▶ Snap in the middle cover.

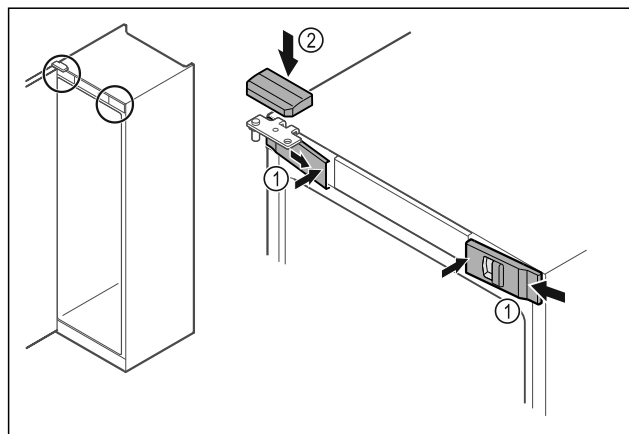


Fig. 44

- ▶ Hook in the front covers Fig. 44 (1) on the side and snap them into place on the inside.
- ▶ Snap on the top cover Fig. 44 (2) from above.
- ▶ Close the door.
- ▶ The door has now been reversed.

## 3.6 Aligning the door

If the door is not straight, you can adjust it on the lower hinge.

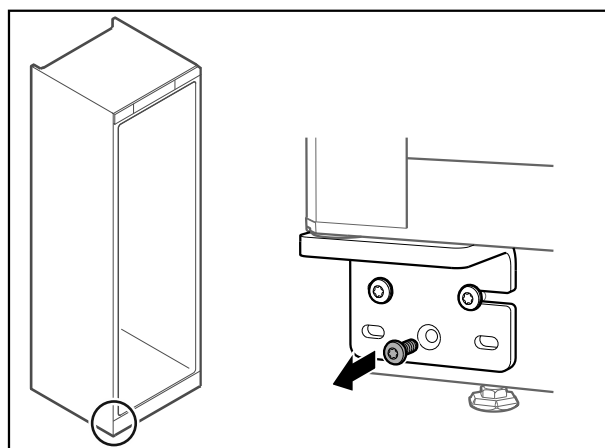


Fig. 45

- ▶ Remove the middle screw on the lower hinge.

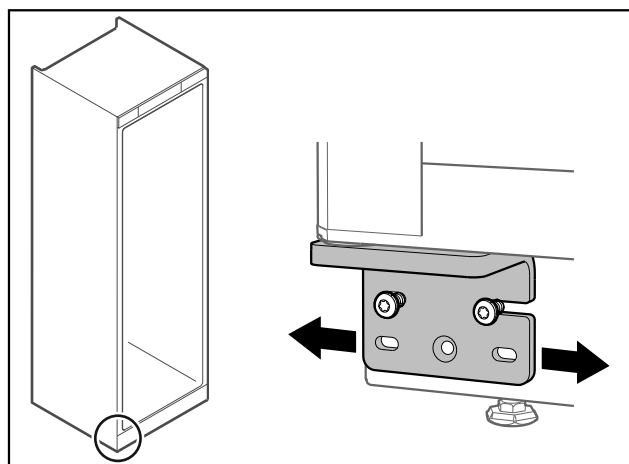


Fig. 46

- ▶ Slightly undo both screws and move the door with the hinge to the left or right.
- ▶ Fully tighten the screws (the middle screw is no longer needed).
- ▶ The door is now straight.

## 3.7 Removing transport lock

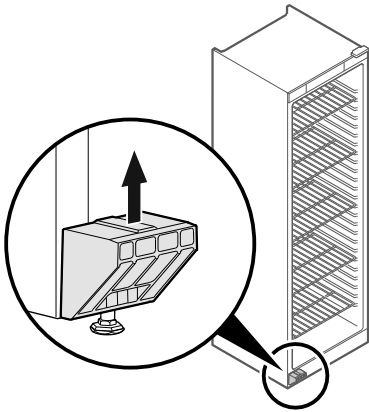


Fig. 47

- ▶ Remove transport lock in upwards direction.
- ▶ Base holder remains on the appliance.

## 3.8 Installing door handle

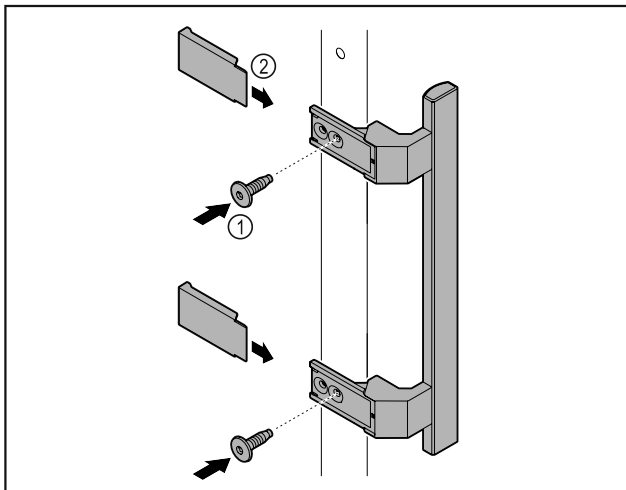


Fig. 48

- ▶ Attach handle from accessory kit to the door using the screws Fig. 48 (1) supplied.
- ▶ Put on cover Fig. 48 (2).
- ▶ Insert the plug from the accessory pack on the opposite side.\*

## 3.9 Mounting anti-tipping device

### Tools



Fig. 49



### WARNING

Danger of injury and damage due to appliance tipping over! Danger to life and material damage to the appliance. An appliance without an anti-tip device fitted can tip over if you open the door or pull out shelves, for example.

- ▶ Before putting the appliance into operation: **Always** fit the anti-tilt device according to the instructions.

Prevent appliance from tipping over.

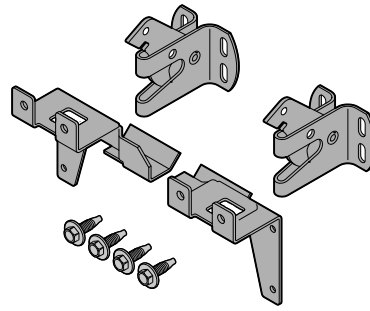


Fig. 50

The anti-tilt device is included with the device. It consists of two retaining parts, two securing hooks and four self-tapping screws (4 x 14).

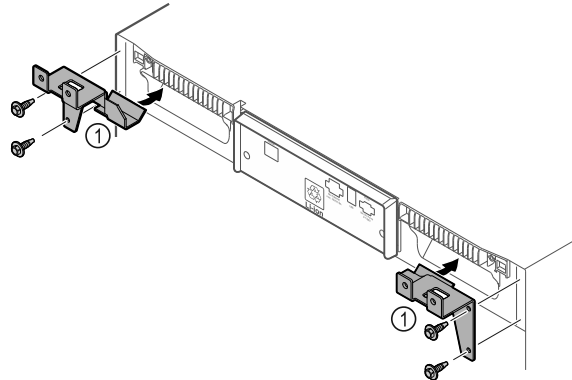


Fig. 51

- ▶ Fit the retaining parts Fig. 51 (1) to the device with self-tapping screws.
- ▶ Push appliance with retaining parts mounted against the wall.

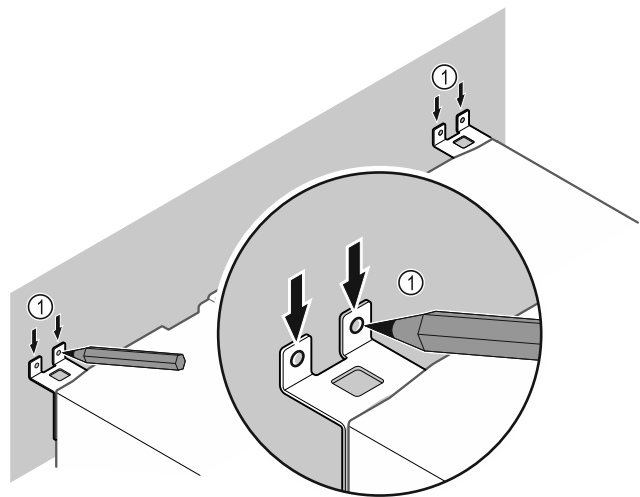


Fig. 52

- ▶ Make markings on the wall Fig. 52 (1).
- ▶ Remove appliance.

# Setting up and connecting

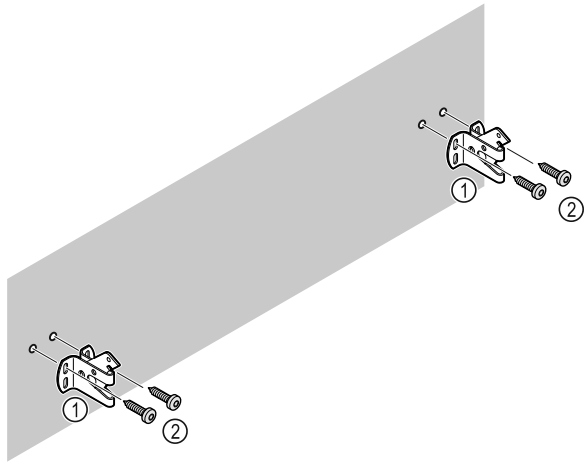


Fig. 53

Use fixing material (e.g. dowels) which is appropriate for the nature of the wall (wood, concrete) and sufficient attachment points .

- ▶ Attach retaining hooks.

## 3.10 Installing appliance



### CAUTION

Risk of injury and damage.

- ▶ Use 2 people to install appliance.



### CAUTION

Risk of injury and damage.

The door can knock against the wall and become damaged as a result. In the case of glass doors, the damaged glass can cause injuries.

- ▶ Protect the door from knocking against the wall. Attach door stopper, e.g. felt stopper, to the wall.

- ▶ Connect all necessary components (e.g. mains cable) to the back of the appliance and route to the side.

### Note

Cables can be damaged.

- ▶ Do not jam the cable when pushing the appliance back.

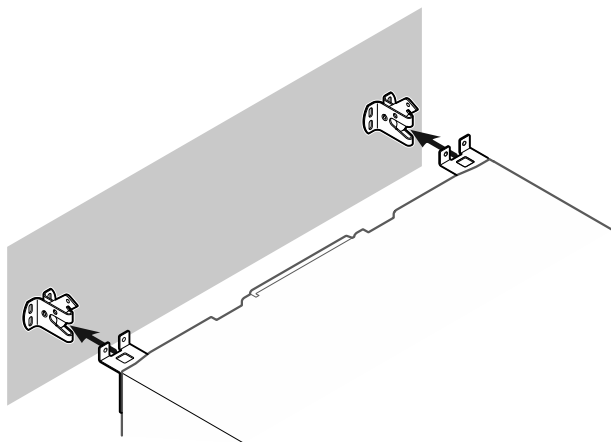


Fig. 54

- ▶ Slide appliance up against the wall so that the retaining parts latch into the securing hooks.
- ▶ The appliance is now secured against tipping.
- ▶ It can be released by folding back the securing hooks.

## 3.11 Setting up the appliance so it is level

### NOTICE

Appliance body is deformed and door does not close.

- ▶ Align appliance horizontally and vertically.
- ▶ Compensate for uneven floors using adjustable feet.



### WARNING

Incorrect height adjustment of the adjustable foot!

Can cause severe or even fatal injury. Incorrect height adjustment can cause the bottom part of the adjustable foot to come loose and the appliance to tip over.

- ▶ Do not unscrew the adjustable foot too far.

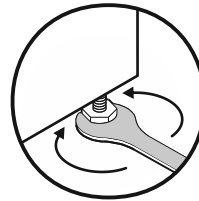


Fig. 55

### Raising appliance:

- ▶ Turn adjustable foot clockwise.

### Lowering appliance:

- ▶ Turn adjustable foot anticlockwise.

## 3.12 Installing multiple appliances

### NOTICE

Risk of damage due to condensation between the side walls.

- ▶ Do not install the appliance directly next to another fridge.
- ▶ Install appliances with a space 3 cm between appliances.
- ▶ Only install multiple appliances up to temperatures of 35 °C and 65% humidity next to one another.
- ▶ At higher levels of humidity, increase space between appliances.

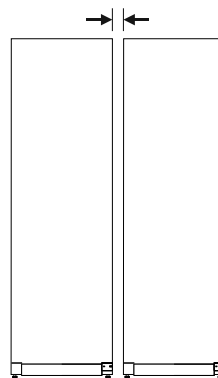


Fig. 56 Side-by-side installation

### Note

A side-by-side kit is available as an accessory via Liebherr Customer Service. (see 10.3 Customer Service)

## 3.13 After installation

- ▶ Peel off the protective films. \*
- ▶ Clean appliance. (see 9.3 Cleaning the appliance)
- ▶ If necessary: Disinfect the appliance.

## Functionality of the Touch display

- ▶ Keep the invoice so you have the appliance and dealer information available if needed.

### 3.14 Disposing of packaging



#### WARNING

Danger of suffocation due to packing material and plastic film!

- ▶ Do not allow children to play with packing material.

The packaging is made of recyclable materials:

- corrugated board/cardboard
- expanded polystyrene parts
- polythene bags and sheets
- polypropylene straps
- nailed wooden frame with polyethylene panel\*
- ▶ Take the packaging material to an official collecting point.

### 3.15 Connecting the appliance to the power supply



#### WARNING

Danger of electric shock and injury due to damaged appliance or damaged mains cable!

Danger of cuts and fatal injuries. If the appliance or the mains cable is damaged during transport, you may be electrocuted. You could also cut yourself on damaged parts of the appliance housing.

- ▶ Check the appliance and the mains cable for damage after transport.
- ▶ Never put the appliance into operation if the appliance or the mains cable are damaged.
- ▶ Contact Customer Service.

You can connect your appliance to the mains using the power cable supplied separately. The mains power cable has an appliance coupler at one end and a mains plug at the other end.

Make sure that the following requirements are fulfilled:

- The appliance and power cable are undamaged.
- The appliance is set up in accordance with the regulations. (see 3.7 Removing transport lock)
- Requirements for the electrical connection are met. (see 3.1 Installation requirements)
- Dimensions for connection in accordance with regulations are known and observed.
- Mains voltage and frequency correspond to the specifications on the type plate.
- The socket is earthed according to the regulations and fused.
- The fuse tripping current is between 10 A and 16 A.
- The socket is easily accessible and is not behind the appliance.

#### NOTICE

Danger of damage to incorrect operation!  
Damage to the electrical components of the appliance.

- ▶ Only use the supplied mains cable.

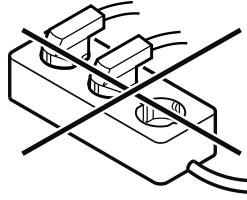


#### WARNING

Danger of fire due to incorrect connection!  
Burns.

Damage to the appliance.

- ▶ Do not use an extension cable.
- ▶ Do not use distributor blocks.



#### NOTICE

Danger of damage to incorrect connection!  
Damage to the appliance.

- ▶ Do not connect the appliance to a stand-alone inverter, e.g. solar power systems and petrol generators.
- ▶ Connect the mains cable plug to the power supply. Ensure that the plug is tightly in the socket.
- ▶ The standby symbol appears in the display.
- ▶ If no action occurs within 60 seconds: The standby symbol fades or disappears.
- ▶ The appliance is connected. For information regarding first use, see the following section or the operating instructions.

## 4 Functionality of the Touch display




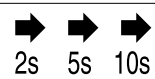

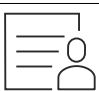
You operate your appliance using the Touch display. You select appliance functions in the Touch display (hereafter referred to as display) by tapping them. If you do not perform any action on the display for 10 seconds, the display either jumps back to the higher-level menu or directly to the status display.

### 4.1 Navigation and symbol explanation

In the illustrations, different symbols are used to navigate the display. The following table describes these symbols.

Symbol	Description
	<b>Press the Next navigation arrow:</b> Navigates to the next option in the menu.
	<b>Press the Back navigation arrow:</b> Jumps back one option in the menu.
	<b>Press and hold the Back navigation arrow for 3 seconds:</b> Jumps back to the status display in the main menu or from the Settings menu.
	<b>Press the navigation arrow several times in succession:</b> Navigates in the menu to the desired function.


# Functionality of the Touch display


Symbol	Description
	<b>Press the Confirm symbol:</b> Activates/deactivates function. Opens submenu.
	<b>Press the Confirm symbol together with the back icon:</b> Jumps back one menu level.
	<b>Arrow with clock:</b> It takes more than 10 seconds for the following message to appear in the display.
	<b>Arrow with a time indication:</b> It takes the specified amount of time until the following message appears in the display.
	<b>“Open Settings menu” symbol:</b> Navigates to the Settings menu and opens the settings menu. If necessary: Navigate to the desired function in the Settings menu. (see 4.2.1 Opening the Settings menu)
	<b>“Open Advanced menu” symbol:</b> Navigates to the Advanced menu and opens the advanced menu. If necessary: Navigate to the desired function in the Advanced menu. (see 4.2.2 Opening the Advanced menu)
No action for 10 seconds	If you do not perform any action on the display for 10 seconds, the display either jumps back to the higher-level menu or directly to the status display.
Opening door and closing it again	If you open the door and immediately close it again, the display jumps directly back to the status display.

Note: Illustrations of the display are shown in the English version.

## 4.2 Menus

The appliance functions can be found in various menus.

Menu	Description
Main menu	When you switch the appliance on, you are automatically in the main menu. From here you can navigate to the most important appliance functions, to the Settings menu and to the Advanced menu.
 Settings menu	The Settings menu contains additional appliance functions for setting up your appliance. (see 4.2.1 Opening the Settings menu)

Menu	Description
 Advanced menu	The advanced menu contains special appliance functions for setting up your appliance. Access to the Advanced menu is protected by the numerical code <b>151</b> . (see 4.2.2 Opening the Advanced menu)

### 4.2.1 Opening the Settings menu

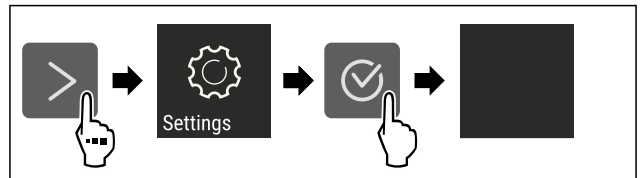


Fig. 57 Example illustration

- ▶ Carry out action steps according to the illustration.
- ▶ Settings menu is open.
- ▶ If necessary: Navigate to the desired function.

### 4.2.2 Opening the Advanced menu

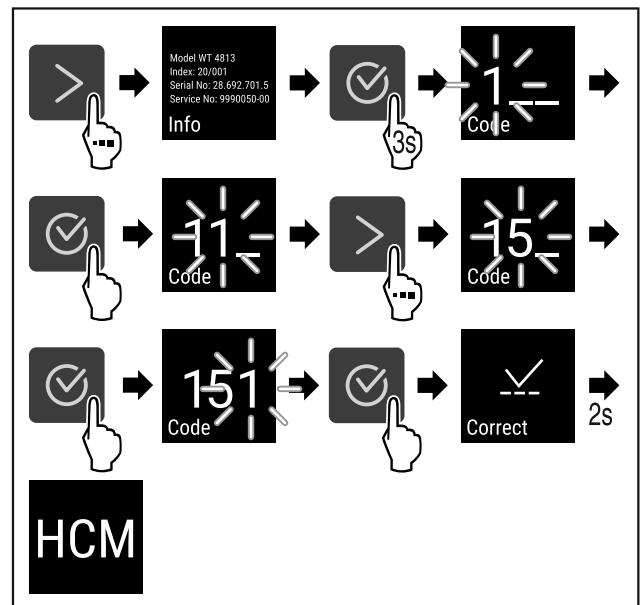


Fig. 58 Access with numerical code 151

- ▶ Carry out action steps according to the illustration.
- ▶ The expanded menu is open.
- ▶ If necessary: Navigate to the desired function.

## 4.3 Sleep mode

If you do not touch the display for 1 minute, the display switches to sleep mode. In sleep mode, the display brightness is dimmed.

### 4.3.1 Ending sleep mode

- ▶ Press any navigation key.
- ▶ Sleep mode is ended.

## 5 Putting into operation

### 5.1 Switching on appliance (first use)

Make sure the following prerequisites are met:

- Appliance is installed and connected.
- All adhesive strips, adhesive and protective films and transport locks are removed from inside and outside the appliance.

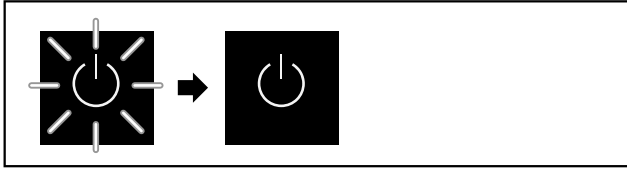


Fig. 59 Example illustration

The standby symbol flashes until the startup process is complete.

The standby symbol is shown in the display.

If the appliance has been supplied with factory settings, the screen language first needs to be selected when using for the first time.

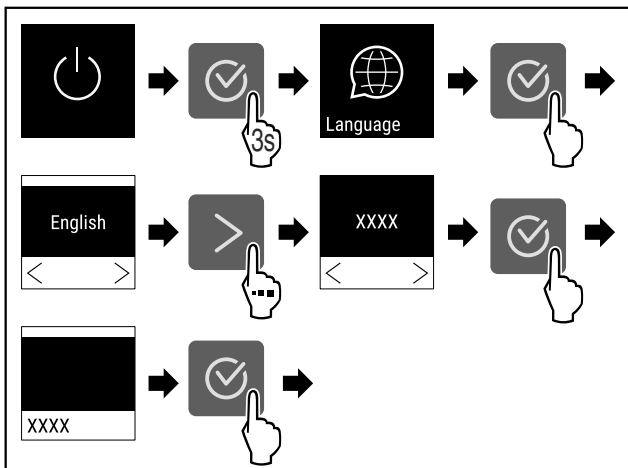


Fig. 60

- Carry out action steps according to the illustration.

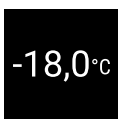


Fig. 61

- The appliance is switched on once the temperature appears in the display.
- The temperature display flashes until the set temperature is reached.

## 6 Storage

### 6.1 Information regarding storage

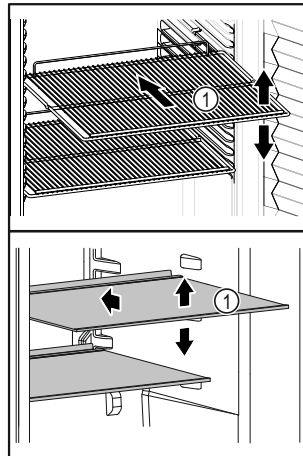


Fig. 62 Example illustration

When stocking observe the following:

- If storage surfaces Fig. 62 (1) are movable, adjust them according to height.
- Observe maximum load weight. (see 10.1 Technical specifications)
- Do not load appliance until storage temperature has been reached (maintain cold chain).
- Refrigerated goods must not touch the rear wall.
- Refrigerated items do not protrude beyond the shelves.
- Keep liquids in closed containers.
- Leave space when storing items for refrigeration to ensure good air circulation.
- Do not store refrigerated goods under the defrost water bowl.

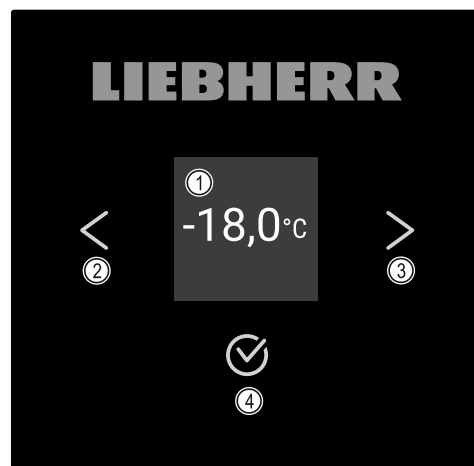
## 7 Controls

### 7.1 Control and display elements

The display provides a quick overview of the current appliance status, the temperature setting, the status of functions and settings as well as alarm and error messages.

It is operated using the navigation arrows and confirmation symbol.

Functions can be activated or deactivated and setting values can be changed.



# Controls

Fig. 63 Display

- (1) Status display
- (2) Backwards navigation arrow
- (3) Forwards navigation arrow
- (4) Confirm

## 7.1.1 Status display



Fig. 64 Status display with actual temperature

The status display shows the actual temperature and is the home display. You navigate from here to the other functions and settings. The status display may show a range of display symbols.

## 7.1.2 Display symbols

Display symbols provide information about the status of the appliance.

Symbol	Appliance status
	<b>Standby</b> Appliance is switched off.
	<b>Flashing standby symbol</b> Appliance is starting up.
	<b>Flashing temperature</b> Target temperature not yet reached. Appliance cooling to temperature set.
	<b>Temperature display</b> Displays the current interior temperature
	<b>D in the display</b> Appliance is in DemoMode.
	<b>Maintenance reminder</b> The time interval set has expired.
	<b>Data memory full</b> The data memory (999 hours) is full. From now, the oldest data will be overwritten.
	<b>Flashing symbol</b> A fault is still active.
	<b>Error symbol</b> Appliance is in error state.
	<b>White bar at the bottom</b> Submenu

Symbol	Appliance status
	<b>White bar at the top</b> Default, active setting or active value
	<b>Increasing bar</b> Press button for 3 seconds to activate setting.
	<b>Decreasing bar</b> Press button for 3 seconds to deactivate setting.

Status display symbols

## 7.1.3 Acoustic signals

A signal sounds in the following cases:

- If a function or a value is confirmed.
- If a function or a value can either not be activated or not deactivated.
- As soon as an error occurs.
- If there is an alarm message.

The alarms can be switched on and off in the customer menu.

## 7.2 Appliance functions

### 7.2.1 Notes on the appliance functions

The appliance functions are set at the factory so that your appliance is fully functional.

Before you alter, activate or deactivate the device functions, make sure that the following requirements are met:

- You have read and understood the descriptions of how the display works. (see 4 Functionality of the Touch display)
- You have familiarised yourself with the operating and display elements of your appliance. (see 7.1 Control and display elements)

### 7.2.2 Switching appliance on and off



Using this setting the entire appliance can be switched on and off.

#### Switching on appliance

##### Without activated DemoMode:



Fig. 65

► Carry out action steps according to the illustration.

##### With activated DemoMode:

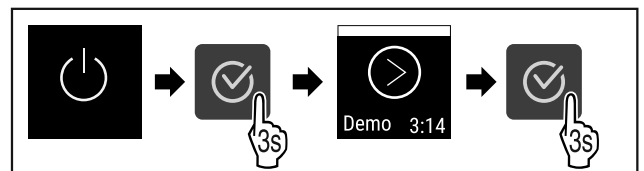


Fig. 66

- ▶ Carry out action steps according to the illustration.

**Note**

Deactivate DemoMode before countdown finishes.

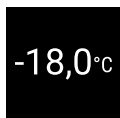


Fig. 67

- ▶ The temperature appears in the display.

**Switching off appliance**



Fig. 68

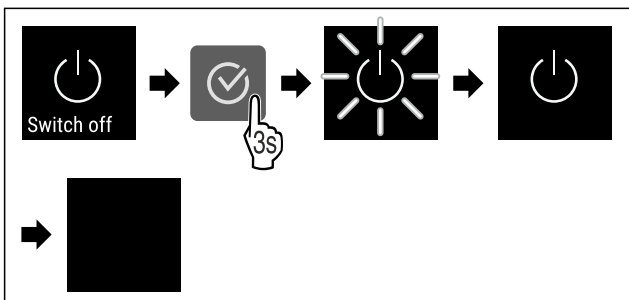


Fig. 69

- ▶ Carry out action steps according to the illustration.
- ▶ Standby symbol is shown in the display.
- ▶ Display switches off after approximately 10 minutes.

## 7.2.3 Temperature



The temperature depends on the following factors:

- How often the door is opened
- How long the door is open for
- The room temperature of the installation site
- The type, temperature and amount of frozen food

**Note**

The temperature may differ from the temperature displayed in some areas of the interior.

**Setting temperature**

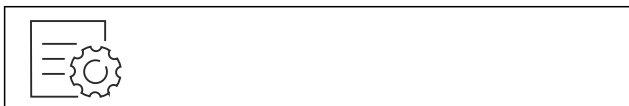


Fig. 70

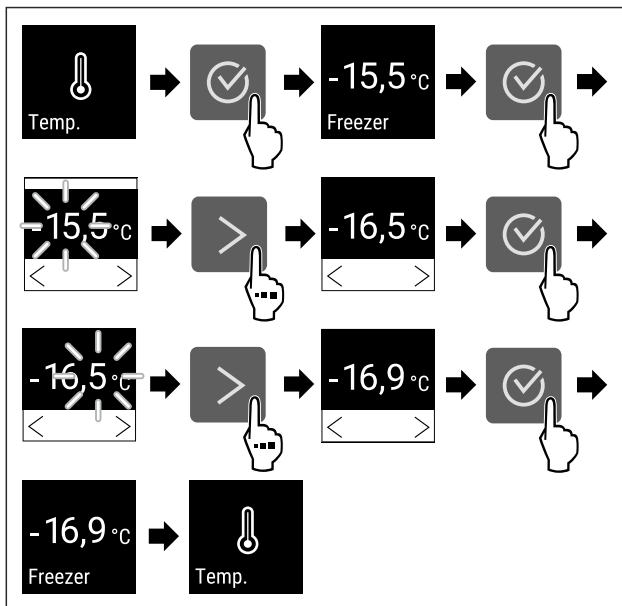


Fig. 71 Changing temperature from -15.5 °C to -16.9 °C

- ▶ Carry out action steps according to the illustration.
- ▶ Temperature is set.



## 7.2.4 Temperature recording

The appliance displays the minimum and maximum temperatures of the interior. The recording of these temperatures starts automatically after the appliance is switched on; they are recorded at one minute intervals. A note indicating that the data memory is full is displayed after 999 hours (approx. 40 days). The temperature recording should then be reset.

**Note**

We recommend resetting the temperature recording once **after reaching the set temperature** when the appliance is commissioned. This ensures that the value displayed for the maximum temperature is a meaningful value.

**Displaying temperature recording**

The temperature recording displays the length of the recording and the minimum and maximum temperatures measured during this period of time.



Fig. 72



Fig. 73

- ▶ Status screen with the temperature recordings is displayed.

**Resetting temperature recording**

The displayed minimum and maximum temperatures can be reset at any time. This deletes the displayed values and the recording interval starts again.



- ▶ Tap navigation arrow repeatedly until corresponding function is displayed.

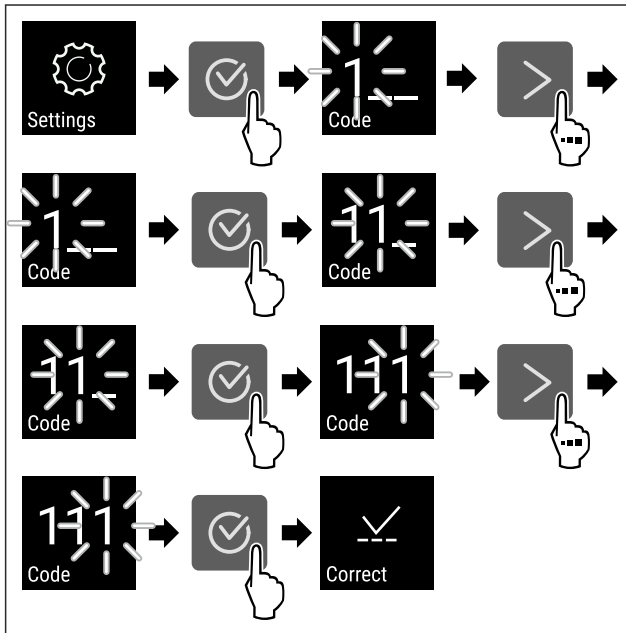


Fig. 80

- ▶ Carry out action steps according to the illustration.
- ▶ The PIN code is correct.
- ▶ The settings menu opens.

### 7.2.6 Access code

Various settings are possible.

Application:

- Changing the settings code.
- Resetting the settings code.



#### Settings menu access protection

##### Changing the settings code

This setting allows the settings code for settings menu access protection to be changed.

The setting is made in 3 stages:

- Entering the old settings code
- Entering the new settings code
- Confirming the new settings code

#### Note

- ▶ In the following example, the default factory-set settings code **1 1 1** is changed.
- ▶ The new settings code is: **2 3 4**



Fig. 81

**The access protection for the settings menu must be active.** (see 7.2.5 Settings menu access protection )

- ▶ Tap the navigation arrow repeatedly until the corresponding function is displayed.

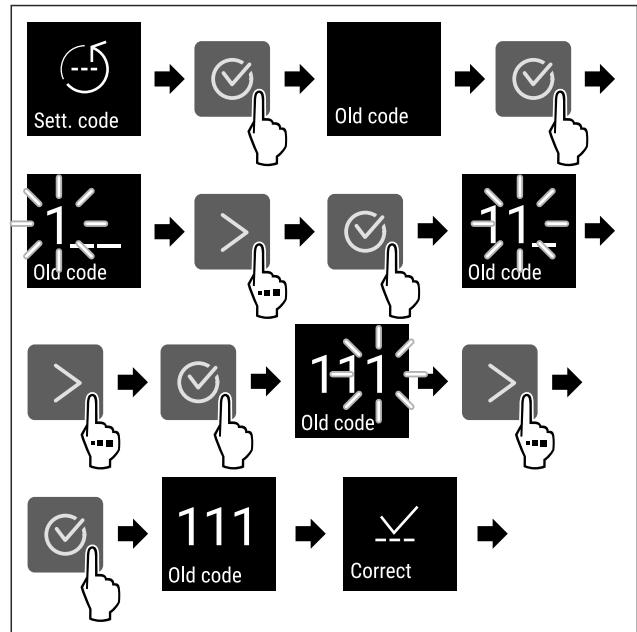


Fig. 82

- ▶ Carry out action steps according to the illustration.
- ▶ Entry of the old settings code successful.

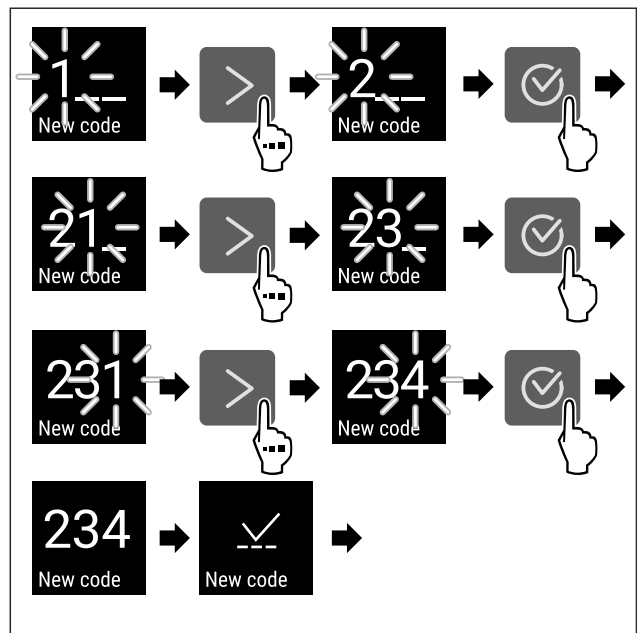


Fig. 83

- ▶ Carry out action steps according to the illustration.
- ▶ Entry of the new settings code successful.

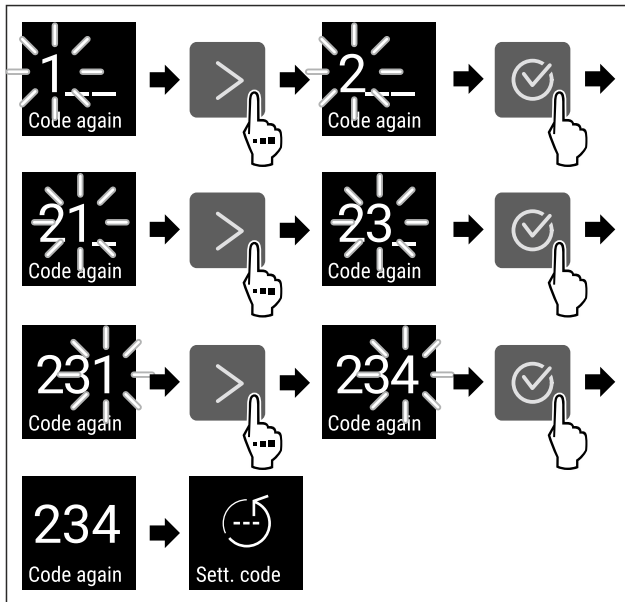


Fig. 84

- ▶ Carry out action steps according to the illustration.
- ▶ Confirmation of the new settings code successful.
- ▶ The settings code has been changed.

### Resetting the settings code

The settings code for the settings menu access protection has been forgotten or is not known.

- ▶ Reset appliance to factory settings (see 7.2.24 Resetting to factory settings ).
- ▶ The appliance is reset to the original settings.
- ▶ The factory-set settings code is: **1 1 1**

### 7.2.7 Maintenance interval reminder



Setting for the time interval after which a maintenance reminder is issued.

The following values can be set:

- 7 days
- 14 days
- 30 days
- 60 days
- 90 days
- 180 days
- 360 days
- 720 days
- 1080 days
- Off

### Setting maintenance interval reminder

The following steps describe how the maintenance interval is set.



Fig. 85

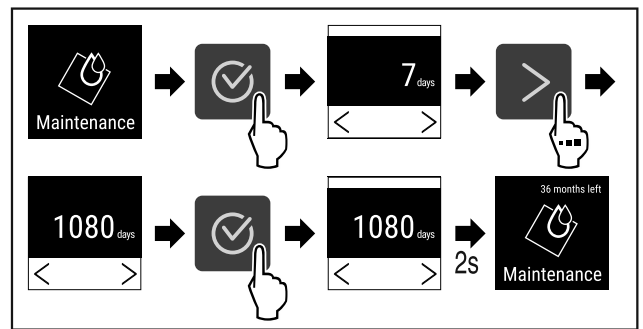


Fig. 86

- ▶ Carry out action steps according to the illustration.
- ▶ The time interval, after which the maintenance reminder is issued, is set.
- ▶ The remaining time is displayed.

### 7.2.8 Language



This setting allows the display language to be set.

#### Setting language



Fig. 87

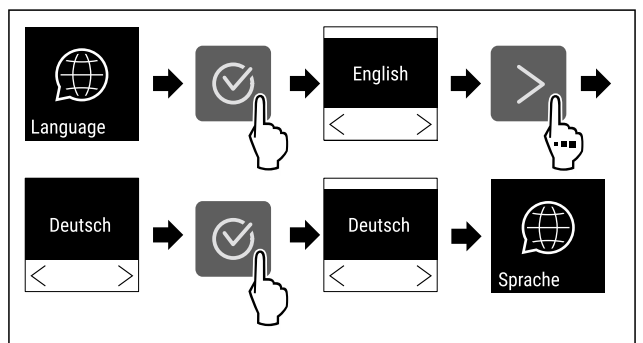


Fig. 88

- ▶ Carry out action steps according to the illustration.
- ▶ The selected language is set.

### 7.2.9 Temperature unit



Use this function to set the temperature unit. You can set degrees Celsius or degrees Fahrenheit as the temperature unit.

#### Setting the temperature unit



Fig. 89

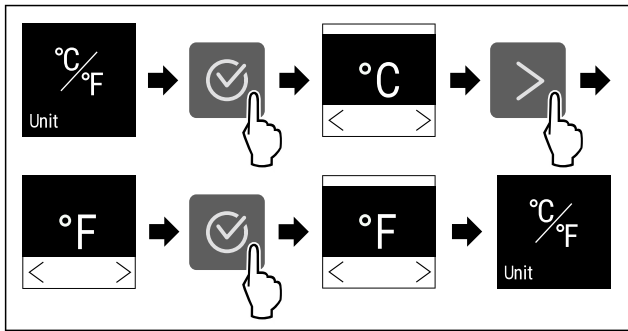


Fig. 90 Example illustration: Switch from degrees Celsius to degrees Fahrenheit.

- ▶ Carry out action steps according to the illustration.
- ▶ The temperature unit is set.

## 7.2.10 Display brightness



Use this function to set the display brightness in stages.

You can select the following brightness levels:

- 40 %
- 60 %
- 80 %
- 100 % (pre-setting)

### Setting the brightness



Fig. 91

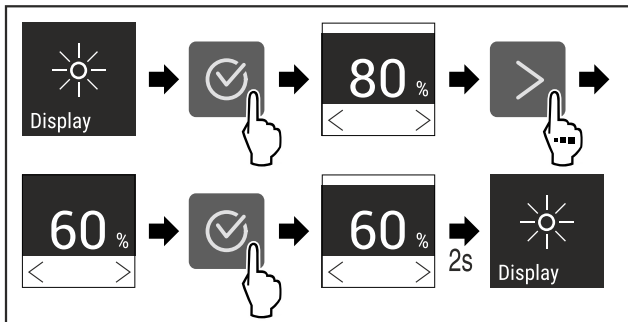


Fig. 92 Example illustration: Switch from 80 % to 60 %.

- ▶ Carry out action steps according to the illustration.
- ▶ The brightness is set.

## 7.2.11 Alarm Sound



This function enables all alarm sounds, such as door alarm, to be switched on and off.

### Activating Alarm Sound

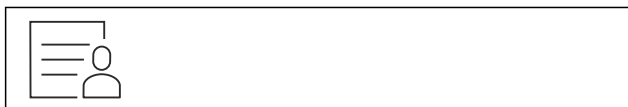


Fig. 93

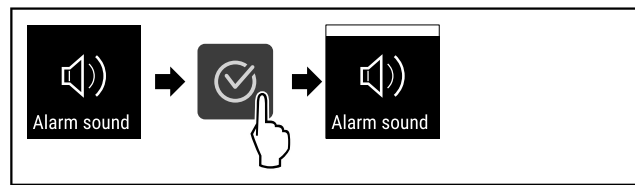


Fig. 94

- ▶ Carry out action steps according to the illustration.
- ▶ Alarm Sound is activated.

### Deactivating Alarm Sound



Fig. 95

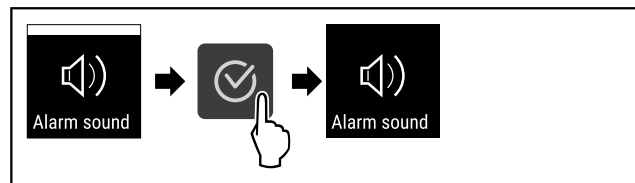


Fig. 96

- ▶ Carry out action steps according to the illustration.
- ▶ Alarm Sound is deactivated.

## 7.2.12 Key Sound



This function makes it possible to switch all confirmation sounds and the Startsound on and off.

### Activating Key Sound

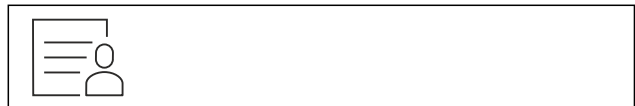


Fig. 97

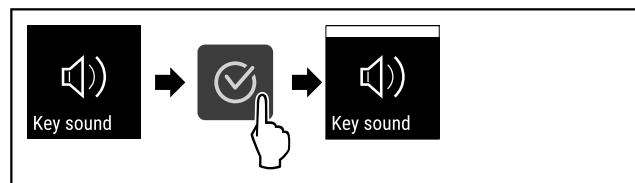


Fig. 98

- ▶ Carry out action steps according to the illustration.
- ▶ Key Sound is activated.

### Deactivating Key Sound



Fig. 99

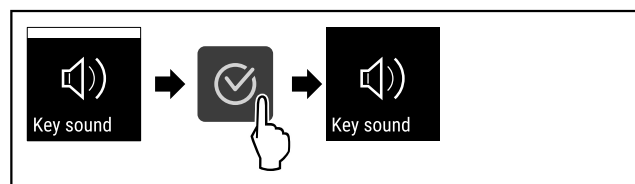


Fig. 100

- ▶ Carry out action steps according to the illustration.
- ▶ Key Sound is deactivated.

# Controls

## 7.2.13 WiFi connection



### Note

Liebherr SmartMonitoring Dashboard is not available in all countries. Check availability via the QR code by entering your model.

### Note

Use of the Liebherr SmartMonitoring Dashboard at <https://smartmonitoring.liebherr.com> requires installation of a SmartModule and a commercial MyLiebherr account. When commissioning online you can register using the login data you have, or register again and create a company account.

This setting establishes a wireless connection between the appliance and the internet. The connection is controlled via the SmartModule. The appliance can be integrated via the browser-based [Liebherr SmartMonitoring Dashboard](#) and advanced options as well as customised methods relating to control, administration and monitoring can be used.

### Note

You can obtain accessories from customer service (see 10.3 Customer Service) or from specialised dealers via the dealer search on our service page on the Internet:

[home.liebherr.com](http://home.liebherr.com)

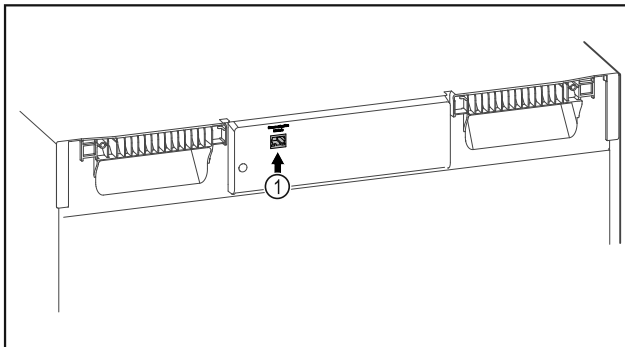


Fig. 101

Make sure that the following requirements are fulfilled:

- SmartModule Fig. 101 (1) is in use.

### Establishing connection

You commission and set up your SmartModule online via the [Liebherr SmartMonitoring Dashboard](#) on your web-enabled device.

On the [Liebherr SmartMonitoring Dashboard](#), information is also available about retrofitting the SmartModule.



Fig. 102

- Open the [Liebherr SmartMonitoring Dashboard](#) (see Fig. 102).

On the refrigerator or freezer:



Fig. 103

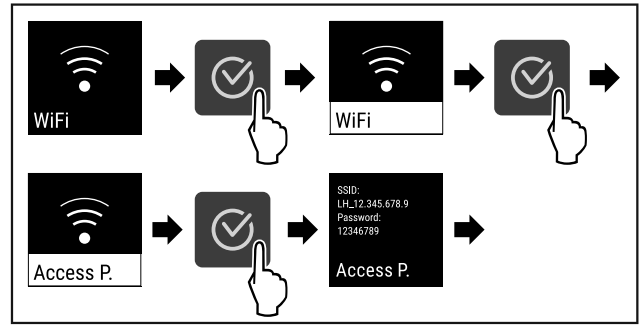


Fig. 104

- Carry out action steps according to the illustration.
- Continue the set-up procedure on your web-enabled device: [Liebherr SmartMonitoring Dashboard](#)

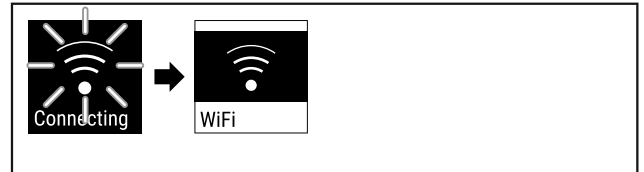


Fig. 105

- Connection is established.
- WiFi connecting appears. The symbol flashes.
- Follow the [Liebherr SmartMonitoring Dashboard](#) instructions.
- Connection is established.

### Disconnecting



Fig. 106

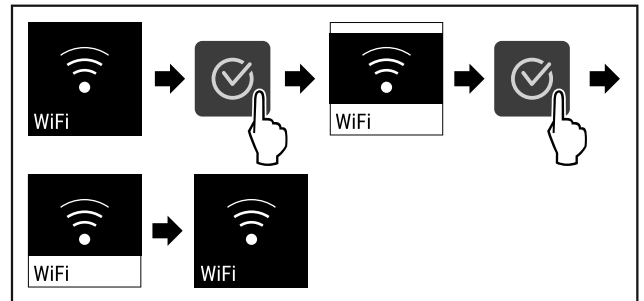


Fig. 107

- Carry out action steps according to the illustration.
- There is no connection.

### Resetting connection



Fig. 108

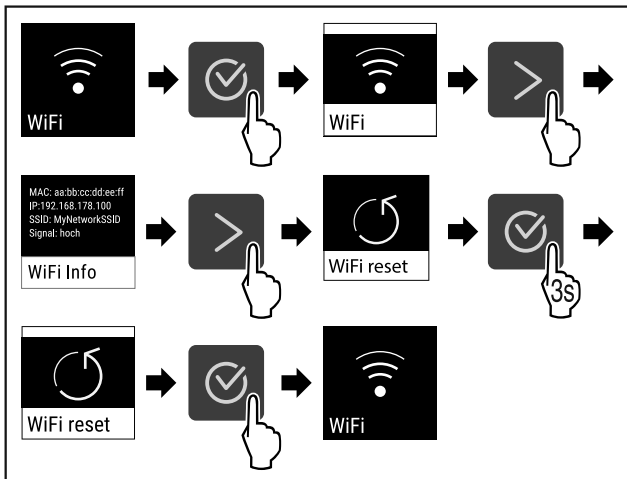


Fig. 109

- ▶ Carry out action steps according to the illustration.
- ▶ The WiFi settings are restored to the factory settings.



## 7.2.14 LAN connection

### Note

Liebherr SmartMonitoring Dashboard is not available in all countries. Check availability via the QR code by entering your model.

### Note

Use of the Liebherr SmartMonitoring Dashboard at <https://smartmonitoring.liebherr.com> requires installation of a SmartModule and a commercial MyLiebherr account. When commissioning online you can register using the login data you have, or register again and create a company account.

This setting establishes a wired connection between the appliance and the internet. The connection is controlled via the SmartModule. The appliance can be integrated via the browser-based [Liebherr SmartMonitoring Dashboard](#) and advanced options as well as customised methods relating to control, administration and monitoring can be used.

### Note

You can obtain accessories from customer service (see 10.3 Customer Service) or from specialised dealers via the dealer search on our service page on the Internet:

[home.liebherr.com](http://home.liebherr.com)

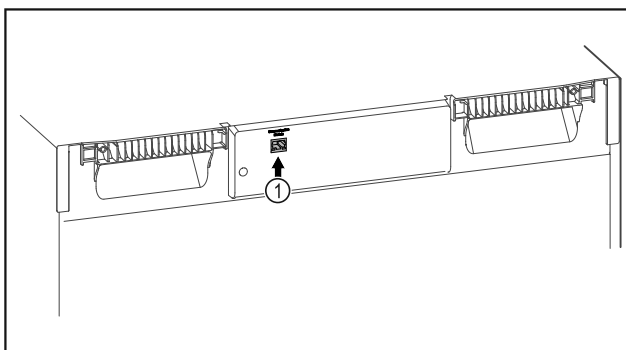


Fig. 110

Make sure that the following requirements are fulfilled:

- SmartModule Fig. 110 (1) is in use.
- A network cable is connected.
- The network is connected to the internet.

## Establishing connection

You commission and set up your SmartModule online via the [Liebherr SmartMonitoring Dashboard](#) on your web-enabled device.

On the [Liebherr SmartMonitoring Dashboard](#), information is also available about retrofitting the SmartModule.



Fig. 111

- ▶ Open the [Liebherr SmartMonitoring Dashboard](#) (see Fig. 111).

On the refrigerator or freezer:



Fig. 112

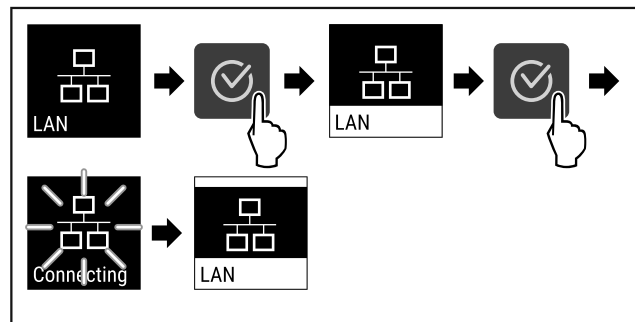


Fig. 113

- ▶ Carry out action steps according to the illustration.
- ▶ Connection is established: LAN connecting appears. The symbol flashes.
- ▶ Follow the [Liebherr SmartMonitoring Dashboard](#) instructions.
- ▶ Connection is established.

## Disconnecting



Fig. 114

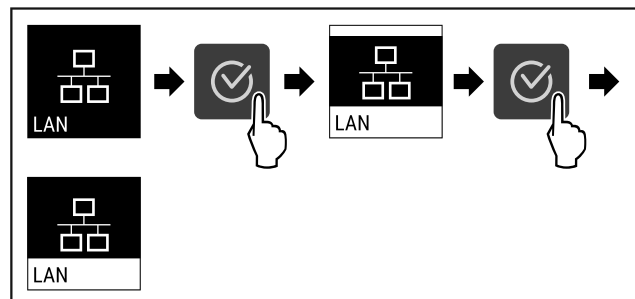


Fig. 115

- ▶ Carry out action steps according to the illustration.
- ▶ There is no connection.



## 7.2.15 Device information

Use this function to indicate the model name, index, serial number and service number of your device. You will need the device information when you contact customer service. (see 10.3 Customer Service)

This function also opens the Advanced menu. (see 4 Functionality of the Touch display)

### Indicating the device information



Fig. 116



Fig. 117

- ▶ Carry out action steps according to the illustration.
- ▷ Display indicates device information.



## 7.2.16 Operating hours

The display shows the appliance operating hours.

### Displaying operating hours



Fig. 118



Fig. 119

- ▷ The operating hours appear.



## 7.2.17 Software

Use this function to indicate the software version of your device.

### Indicating the software version



Fig. 120



Fig. 121

- ▶ Carry out action steps according to the illustration.
- ▷ Display indicates software version.



## 7.2.18 Sensor calibration

You can use sensor calibration to compensate for differences between the set temperature and the actual existing temperature. To do this, use calibrated measuring equipment to determine the actual existing temperature.

Setting range: +/- 3 Kelvin in 0.1 Kelvin increments.

### Calibrating the sensor



Fig. 122

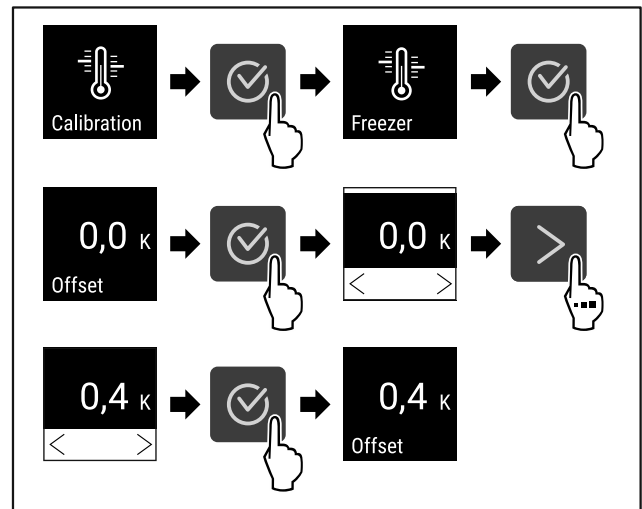


Fig. 123

- ▶ Carry out action steps according to the illustration.
- ▷ The sensor is calibrated.

### Note

The calibrated temperature is indicated on the display within two hours.



## 7.2.19 Temperature alarm

Use this function to set the temperature alarm. You set the upper and lower temperature limits with a differential offset to the indoor temperature currently set. The temperature alarm is triggered as soon as the indoor temperature leaves the set temperature range and any set delay time has elapsed.

Example		Differential value to be set
Current indoor temperature	5 °C	
Lower temperature limit	2 °C	-3 °C
Upper temperature limit	8 °C	+3 °C

The following values can be set:

- Differential value for lower temperature limit in 0.1 °C steps
- Differential value for upper temperature limit in 0.1 °C steps

- Alarm delay time from 0 to 60 minutes (setting "0" means no temperature alarm delay.)
- Alarm repetition frequency from 0 to 30 minutes (setting "0" means no alarm repetition after confirming the alarm.)

## Setting temperature alarm



Fig. 124

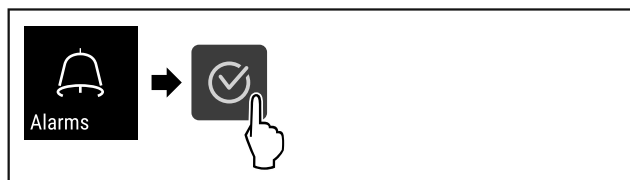


Fig. 125

- ▶ Carry out action steps according to the illustration.

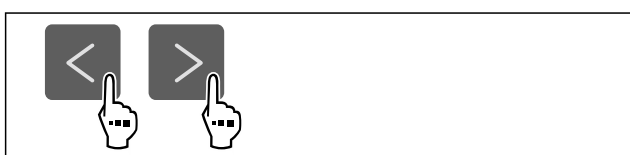


Fig. 126

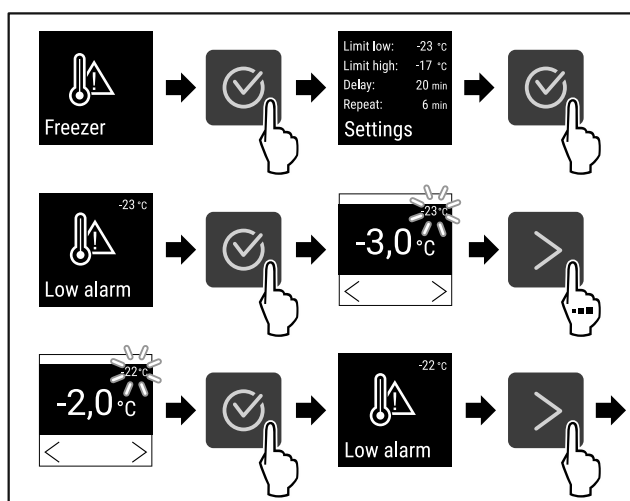


Fig. 127 Example of setting the lower temperature limit based on a set appliance temperature of -20 °C.

- ▶ Carry out action steps according to the illustration.
- ▶ Lower temperature limit has been set.

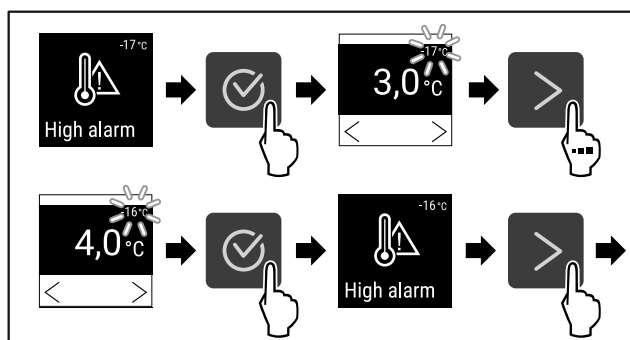


Fig. 128 Example of setting the lower temperature limit based on a set appliance temperature of -20 °C.

- ▶ Carry out action steps according to the illustration.
- ▶ Upper temperature limit has been set.

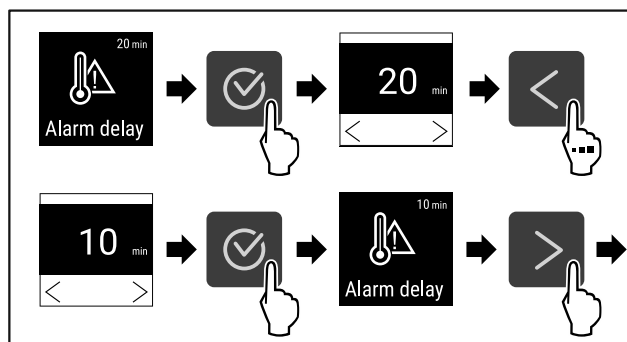


Fig. 129

- ▶ Carry out action steps according to the illustration.
- ▶ Alarm delay time has been set.

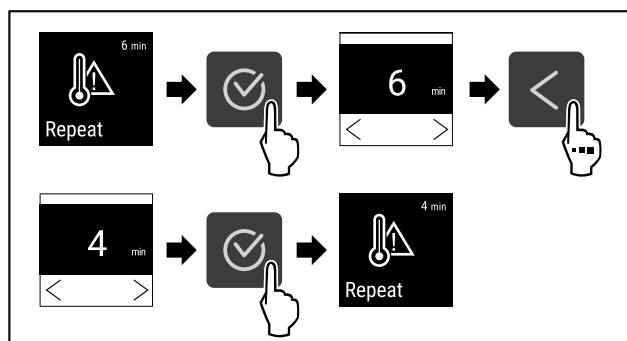


Fig. 130

- ▶ Carry out action steps according to the illustration.
- ▶ Alarm repetition interval has been set.
- ▶ Temperature alarm has been set.

## Displaying set temperature alarm values



Fig. 131



Fig. 132

- ▶ Carry out action steps according to the illustration.

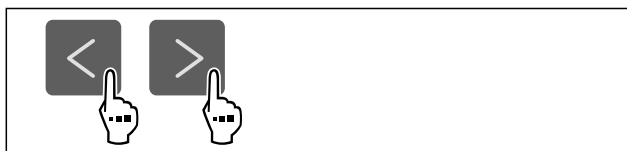


Fig. 133

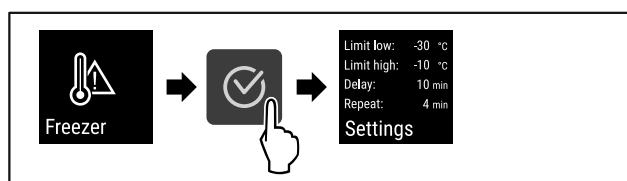


Fig. 134

- ▶ Carry out action steps according to the illustration.
- ▶ Set temperature alarm values are displayed.

## 7.2.20 Door alarm



Use this function to activate or deactivate the door alarm. The door alarm sounds if the door is open for too long. The door alarm is activated on delivery. You can set how long the door may be open before the door alarm sounds.

The following values can be set:

- 15 seconds
- 30 seconds
- 60 seconds
- 90 seconds
- 120 seconds
- 150 seconds
- 180 seconds
- Off

### Setting the door alarm



Fig. 135

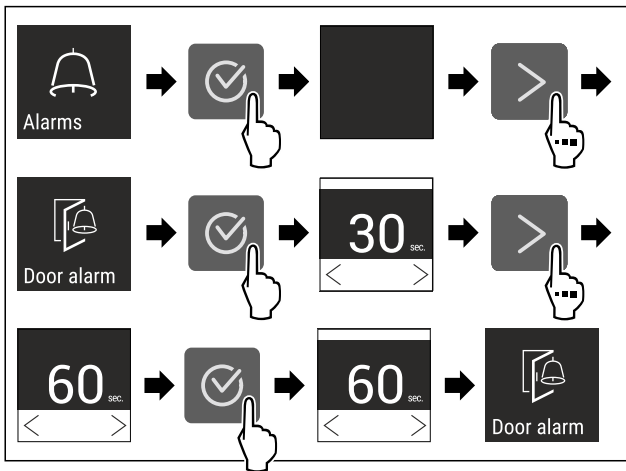


Fig. 137 Example illustration: Switch door alarm from 30 seconds to 60 seconds.

- ▶ Carry out action steps according to the illustration.
- ▷ The door alarm is set.

### Deactivating the door alarm



Fig. 138

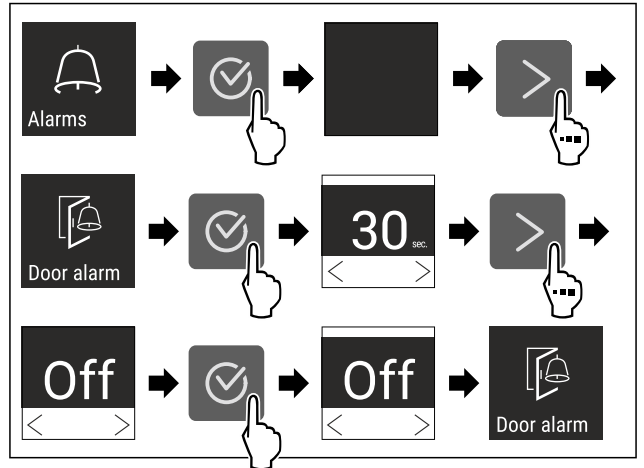


Fig. 139

- ▶ Carry out action steps according to the illustration.
- ▷ The door alarm is deactivated.

## 7.2.21 Alarm simulation



You can use this function to simulate a temperature alarm in the appliance, e.g. to check whether a safety device triggers correctly. The safety device is connected to the potential-free alarm output. (see 8.3 Interfaces)

### Starting the alarm simulation

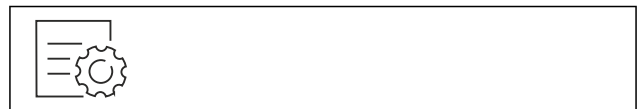


Fig. 140



Fig. 141

- ▶ Carry out action steps according to the illustration.



Fig. 142

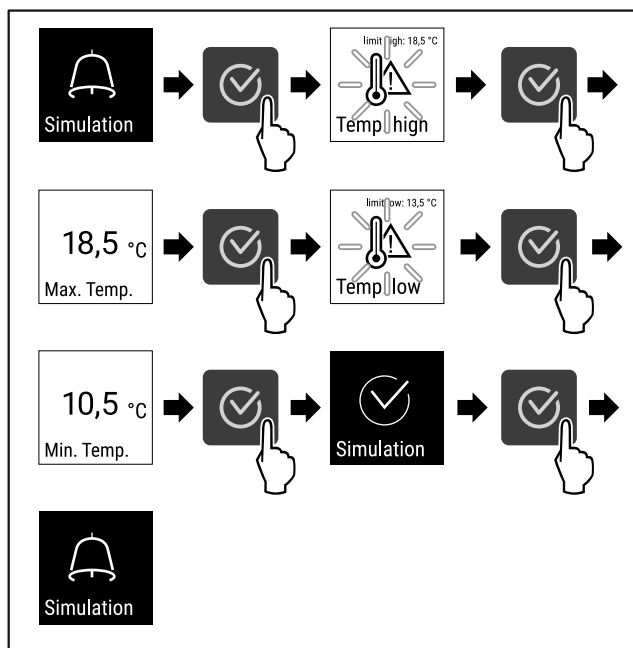


Fig. 143

- ▶ Carry out action steps according to the illustration.
- ▶ The simulation has been performed.
- ▶ Connected safety devices should have triggered.

## 7.2.22 Alarm forwarding



You can use this function to forward one or several alarms to an external alarm receiver. The alarm receiver is connected to the potential-free alarm output on the appliance. (see 8.3 Interfaces)

You can select the following settings:

- Alarm type:
  - Door alarm
  - Temperature alarm
  - Door alarm and temperature alarm
  - All
- Confirm:
  - **Yes:** The alarm is confirmed on the appliance and the external, connected receiver.
  - **No:** The alarm is confirmed on the appliance and remains active on the receiver until the fault is rectified.
- Refresh (only visible if you select “Yes” when confirming):
  - **Yes:** Alarm repeats.
    - Temperature alarm** depending on the set time (see 7.2.19 Temperature alarm )  
(If you set the alarm delay time to “0”, there is no alarm repetition on the alarm relay.)
    - Door alarm** after 1 or 4 minutes\* (see 7.2.20 Door alarm )
  - **No:** The alarm is confirmed permanently.

### Activating alarm forwarding



Fig. 144

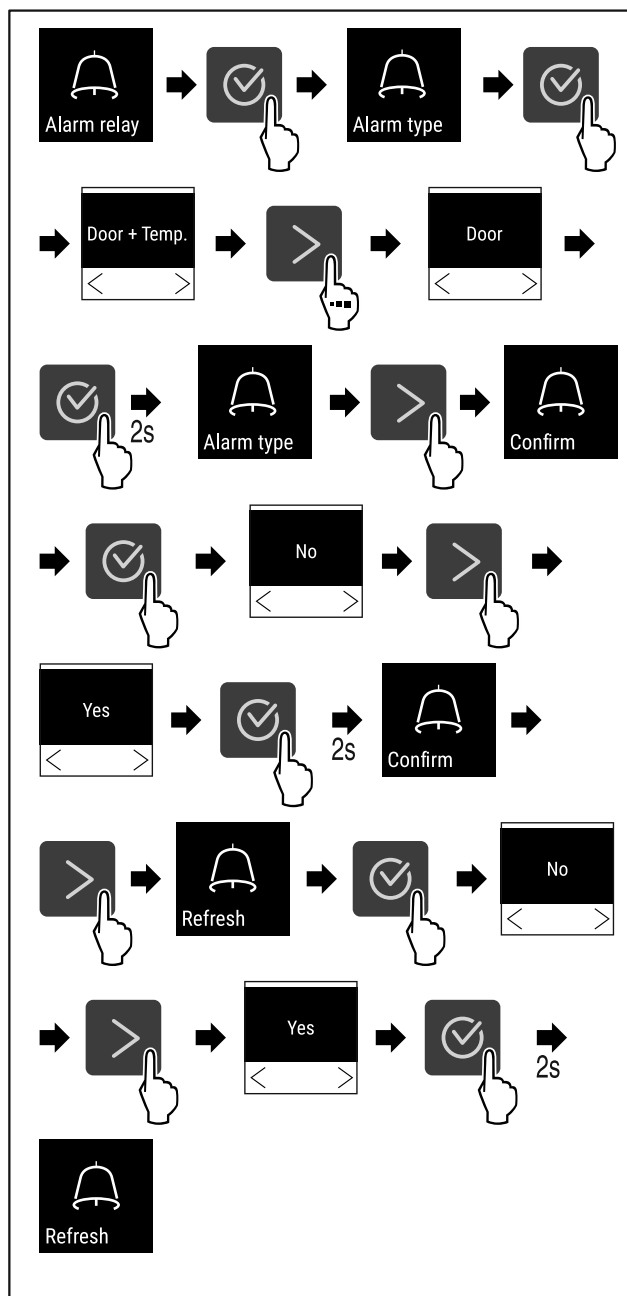


Fig. 145

- ▶ Carry out action steps according to the illustration.
- ▶ Alarm forwarding is set.

## 7.2.23 Demo mode



Demo mode is a special feature for dealers who want to demonstrate appliance features. If you activate demo mode, all refrigeration functions are deactivated.

If you switch on your appliance and a “D” appears on the status display, demo mode is already activated.

If you activate and then deactivate demo mode, the appliance will be reset to factory defaults. (see 7.2.24 Resetting to factory settings )

### Activating demo mode



Fig. 146

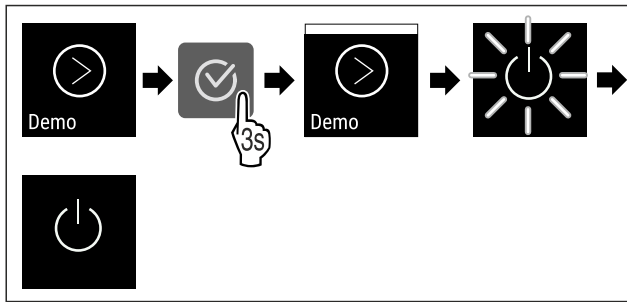


Fig. 147

- ▶ Carry out action steps according to the illustration.
- ▶ Demo mode is activated.
- ▶ Appliance is switched off.
- ▶ Switch on the appliance. (see 5.1 Switching on appliance (first use))
- ▶ “D” appears in the status display.

### Deactivating demo mode



Fig. 148

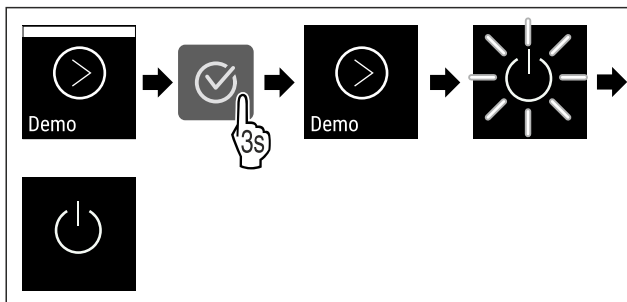


Fig. 149

- ▶ Carry out action steps according to the illustration.
- ▶ Demo mode is deactivated.
- ▶ Appliance is switched off.
- ▶ Switch on the appliance. (see 5.1 Switching on appliance (first use))

▶ Appliance is reset to factory settings.

### 7.2.24 Resetting to factory settings



Use this function to reset all settings to factory defaults. All settings you have made so far are reset to their original settings.

#### Performing a reset



Fig. 150

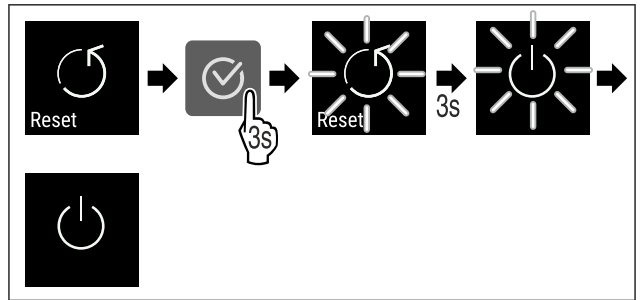




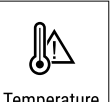


Fig. 151

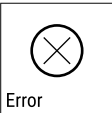

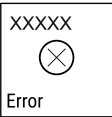



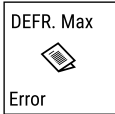

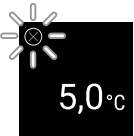
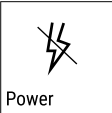






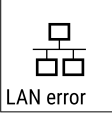

- ▶ Carry out action steps according to the illustration.
- ▶ Device is reset.
- ▶ Device is switched off.
- ▶ Restart the device. (see 5.1 Switching on appliance (first use))

## 7.3 Messages

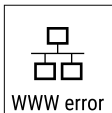

### 7.3.1 Warnings

Warnings are issued by means of an audio signal and visually via a symbol on the display. The signal gets louder until the warning is acknowledged.

Message	Cause	Remedy
 Door open <b>Door open</b>	This message appears if the door is open for too long.	Close the door. Press the confirmation button. Alarm is ended. <b>Note</b> You can set how long it takes for this message to appear (see 7.2.20 Door alarm ). 
 Temperature <b>Temperature alarm</b>	This message appears if the temperature does not match the set temperature. Reasons for the differences in temperature can be: - Warm items for refrigeration have been placed inside. - Too much warm room air flowed in when rearranging and removing refrigerated products. The power was cut off for a prolonged period.	Press the confirmation button. Warmest temperature is displayed. Press the confirmation button. The current temperature flashes and the display alternates with the temperature alarm symbol until the set temperature is reached. Check the quality of the refrigerated goods.  



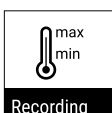

Message	Cause	Remedy
 <p>Error</p> <p><b>Error</b></p>	<p>The appliance is defective, there is an appliance fault or a component of the appliance is faulty.</p>	<p>Transfer refrigerated goods. Press the confirmation button. Error code is displayed.</p>   <p>Press the confirmation button. If present, another error code is indicated.</p>  <p><b>or</b></p> <p>Status screen with flashing error symbol is displayed Pressing the navigation buttons indicates error code(s) again. Note the error code(s) and contact customer service.</p> 
	<p>Message indicates unplanned defrosting behaviour. For example, the evaporator may ice up abnormally due to prolonged openings of the door and the defrosting time may no longer be sufficient.</p>	<p>Press the confirmation button. <b>DEFR.MAX</b> is displayed.</p>   <p>Press the confirmation button. Status screen with flashing error symbol is displayed</p>   <p>Pressing the navigation buttons displays the error code again. Move refrigerated goods and defrost the appliance by hand. Alternatively, defrosting can be started manually. If the message is displayed repeatedly and the causes listed do not apply, contact customer service. (see 10.3 Customer Service)</p>
 <p>Power</p> <p><b>Power failure</b></p>	<p>The message appears after an interruption in the power supply if the temperature is above the alarm limit when the power returns.</p>	<p>Press the confirmation button. The warmest temperature is displayed.</p>  <p>Press the confirmation button. Alarm is cancelled and current temperature is indicated. Check the quality of the refrigerated goods.</p> 
 <p>WiFi error</p> <p><b>WLAN error</b></p>	<p>WLAN connection is interrupted.</p>	<p>Check the connection. Press the confirmation button. Alarm is ended.</p> 
 <p>WWW error</p> <p><b>WLAN WWW error</b></p>	<p>The message appears if there is no Internet connection via WLAN.</p>	<p>Check the connection. Press the confirmation button. Alarm is ended.</p> 
 <p>LAN error</p> <p><b>LAN error</b></p>	<p>LAN connection is interrupted.</p>	<p>Check connection and network cable. Press the confirmation button. Alarm is ended.</p> 

# Features

Message	Cause	Remedy
 <p><b>LAN WWW error</b></p>	The message appears if there is no Internet connection via LAN.	Check the connection. Press the confirmation button. Alarm is ended. 

## 7.3.2 Reminder

Reminders appear when you are being asked to do something. They are issued by means of an audio signal and visually via a symbol on the display. Acknowledge the message by pressing the confirmation button.

Message	Cause	Remedy
 <p><b>Maintenance reminder</b></p>	The message appears when the timer for the set maintenance interval has expired.	 <p>Press the confirmation button. Alarm is ended.</p> <p><b>Note</b> The maintenance interval can be set (see 7.2.7 Maintenance interval reminder ).</p>
 <p><b>Recording reminder</b></p>	This message appears when the temperature recording memory (999 hours) is full.	 <p>Press the confirmation button. Alarm is ended. The oldest data is overwritten.</p> <p><b>Note</b> The temperature recording can be reset (see 7.2.4 Temperature recording ).</p>

## 8 Features

### 8.1 Safety lock

The lock in the appliance door is equipped with a safety mechanism.

#### 8.1.1 Locking appliance

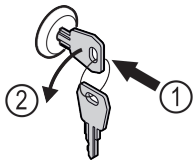


Fig. 152 Example illustration

- ▶ Insert key.
- ▶ Turn key clockwise by 90°.
- ▷ The appliance is locked.

#### 8.1.2 Unlocking appliance

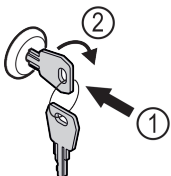


Fig. 153 Example illustration

- ▶ Insert key Fig. 153 (1).
- ▶ Turn key clockwise by 90° Fig. 153 (2).
- ▷ The appliance is unlocked.

### 8.2 Sensors

The appliance can be equipped with the following sensors for temperature monitoring:

- C sensor

#### 8.2.1 C sensor (control sensor)

The C sensor is permanently installed and regulates the interior temperature of the appliance. You can calibrate the C sensor if necessary. (see 7.2.18 Sensor calibration )

### 8.3 Interfaces

There are various connection options on the back of the appliance.

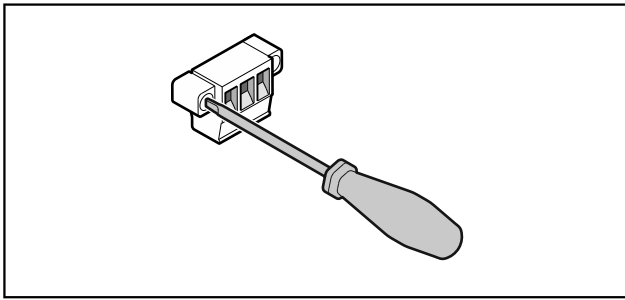


Fig. 154

**Note**

Screws secure the plugs. To enable disconnection of the plugs, loosen the screws on the left and right.

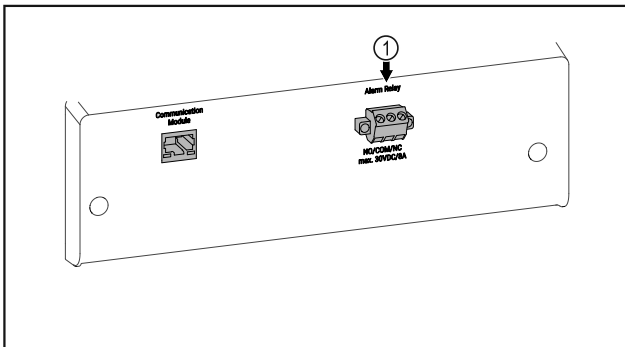


Fig. 155

- (1) Potential-free alarm output

### 8.3.1 Potential-free alarm output

**! WARNING**

Risk of injury due to electric shock!

- The appliance may only be connected to an external alarm device by trained specialist personnel.

These three contacts can be used to connect a visual or an acoustic alarm device. The connection is designed for a maximum of **30 V (DC) - 8 A** from a safety low voltage source SELV (**minimum current 150 mA**).

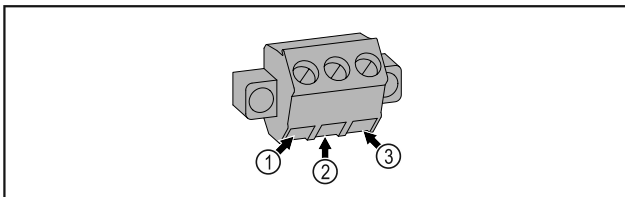


Fig. 156

- (1) NO (normally open)  
Connection for indicator lamp, which is active in normal operation or when the appliance is switched off.
- (2) COM (common)  
External voltage source
- (3) NC (normally closed)  
Connection for alarm lamp or audible alarms, which is active when an alarm is triggered or there is a lack of power supply.

## 9 Maintenance

### 9.1 Maintenance schedule

Maintenance work is to be performed at regular intervals to ensure proper appliance function.



**CAUTION**

Danger of injury and damage due to unprofessional maintenance work!

Personal injury and material damage.

- Maintenance work may only be performed by trained specialist personnel.



**WARNING**

Short-circuit hazard due to live parts!

Electric shock or damage to the electronics.

- **Switch off the appliance.**

- Pull out mains plug or switch off fuse.

**Note**

A maintenance reminder function can be activated. (see 7.2.7 Maintenance interval reminder )

**Note**

We recommend creating a maintenance log in which all work (repairs, checks) performed is documented.

**Note**

Liebherr recommends yearly maintenance. For an individual offer, please contact Customer Service (see 10.3 Customer Service) .

Component	Activity	Maintenance interval
Sheet metal parts	Check for damage and corrosion. Replace damaged parts: (see 10.3 Customer Service)	Yearly
Door, hinges	Check alignment (see 3.6 Aligning the door) , ease of movement, and tight fit.	Yearly
Lock, door handle *	Check for ease of movement and tight fit.	Yearly
Door seal	Check for damage, wear, and tight fit. A replacement door seal is available via Customer Service (see 10.3 Customer Service) .	Yearly
Sensor	Calibrate sensor. (see 7.2.18 Sensor calibration )	Yearly
Sensor feedthrough	Check that the sealing compound is intact.	Yearly

\* Depending on model and options

# Maintenance

Component	Activity	Maintenance interval
Surfaces	Cleaning (see 9.3 Cleaning the appliance)	Recommendation: monthly or as required/specified at installation location
Surfaces	<p>Disinfection</p> <p>Liebherr has tested the following disinfectants:            Dismozon pur 1 % Lösung (Bode Chemie), Suma Quicksan (Diversey), Incidin Extra N (Ecolab Healthcare), Acrylan (Antiseptica chem.-pharm. Produkte), Buraton 10 F (Schülke und Mayr), Frankocid N (Franken Chemie), Apesin DSR 50 (Tana), Nüscosept Spray (Dr. Nüsken), Melsept SF (B. Braun Melsungen), Kohrsolin (Bode Chemie), Neoquat S (Dr. Weigert), Incidin Rapid (Ecolab Healthcare), Bacillocid Spezial (Bode Chemie), Neoform K Spray (Dr. Weigert), Apesin Desinf. Spray (Tana), Nüscosept 100 (Dr. Nüsken), Antisept T (Fink Tec), Apesin AP 100 0,50% Lösung (Tana), Perform Pulver 2% Lösung (Schülke und Mayr)</p> <p>Observe the operating instructions of the respective manufacturer. If disinfectants other than those stated are used, test them on a less exposed area first.</p>	Recommendation: monthly or as required/specified at installation location
Installation location, appliance	<p>Decontamination</p> <p>The appliance is suitable for room decontamination with hydrogen peroxide H<sub>2</sub>O<sub>2</sub>.</p> <p>In this context, the values of the following application specifications must not be exceeded:            Concentration: maximum 250 ppm.            Humidity: maximum 85%.            Maximum permissible room temperature as per climate class. (see 2.4 Range of use of appliance)</p>	Recommendation: as required/specified at installation location, maximum 2x per year
Fan air slots	Cleaning	Yearly
Alarm relay	Check plug connections for tight fit.	Yearly
Network cable	Check for damage.	Yearly or When changing the location
Tilt angle	Check that it is working properly and that it is tight.	Yearly or When changing the location
Adjustable feet/rollers	<p>Check that it is working properly, undamaged and that it is tight.</p> <p>Replace damaged parts. (see 10.3 Customer Service)</p>	Yearly
Defrost water tray	Check the fill level of the defrost water tray and empty if necessary.	Regular visual inspection

## 9.2 Defrosting appliance



### WARNING

Improper defrosting of the appliance!  
Injuries and damage.

- ▶ Do not use mechanical equipment or other methods to speed up the defrosting process other than those recommended by the manufacturer.
- ▶ Do not use electrical heating or steam-cleaning appliances, naked flames or defroster sprays to defrost.
- ▶ Do not use sharp objects to remove ice.

To maintain the functionality of the appliance, we recommend defrosting it when there is a high buildup of ice. Icing in the interior is determined by the location (e.g. high humidity), settings on the appliance and incorrect user behaviour.

If automatic defrosting is insufficient, defrost the appliance manually:

- ▶ Switch off appliance. (see 7.2.2 Switching appliance on and off )
- ▶ Pull out mains plug.
- ▶ Store refrigerated items elsewhere.
- ▶ Leave appliance door open during defrosting process.
- ▶ Absorb any remaining defrost water with a cloth and clean the appliance.

## 9.3 Cleaning the appliance

### 9.3.1 Preparing



#### WARNING

Short-circuit hazard due to live parts!  
Electric shock or damage to the electronics.

- ▶ **Switch off the appliance.**
- ▶ Pull out mains plug or switch off fuse.



#### WARNING

Risk of fire

- ▶ Do not damage the refrigeration circuit.
- ▶ Empty the appliance.
- ▶ Pull out the mains plug.
- ▶ Observe the notes on transporting the appliance.

### 9.3.2 Cleaning housing

#### NOTICE

Improper cleaning!  
Damage to the appliance.

- ▶ Only use soft cleaning cloths and ph-neutral all-purpose cleaners.
- ▶ Do not use abrasive sponges or steel wool which may cause scratches.
- ▶ Do not use any sharp or abrasive cleaning agents, nor any that contain sand, chloride or acid.



#### WARNING

Risk of injury and damage as a result of hot steam!  
Hot steam can lead to burns and can damage the surfaces.

- ▶ Do not use any steam cleaners!

#### NOTICE

Risk of damage due to short circuit.

- ▶ When cleaning the appliance, make sure no water gets into the electrical components.
- ▶ Wipe the housing down with soft, clean cloth. If very dirty, use lukewarm water with a neutral cleaner. Glass surfaces can also be cleaned with glass cleaner.
- ▶ Clean condenser coil each year. If the condenser coil is not cleaned, this significantly reduces the efficiency of the appliance.

### 9.3.3 Cleaning interior



#### WARNING

Short-circuit hazard due to live parts!  
Electric shock or damage to the electronics.

- ▶ **Switch off the appliance.**
- ▶ Pull out mains plug or switch off fuse.



#### WARNING

Risk of injury and damage as a result of hot steam!  
Hot steam can lead to burns and can damage the surfaces.

- ▶ Do not use any steam cleaners!

#### NOTICE

Improper cleaning!  
Damage to the appliance.

- ▶ Only use soft cleaning cloths and ph-neutral all-purpose cleaners.
- ▶ Do not use abrasive sponges or steel wool which may cause scratches.
- ▶ Do not use any sharp or abrasive cleaning agents, nor any that contain sand, chloride or acid.

#### Note

Do not damage or remove the type plate on the inside of the appliance. The type plate is important for Customer Service. (see 10.3 Customer Service)

- ▶ Open the door.
- ▶ Empty the appliance.
- ▶ Clean interior and equipment parts with lukewarm water and a little detergent. Do not use any gritty or acidic cleaning agent or any chemical solvent.

### 9.3.4 After cleaning

- ▶ Wipe appliance and equipment parts dry.
- ▶ Connect and switch on appliance.  
Once the temperature is sufficiently cold:
- ▶ put in items for refrigeration goods.
- ▶ Repeat cleaning regularly.
- ▶ Clean and remove dust from the refrigeration unit with heat exchanger once a year.

## 10 Customer help

### 10.1 Technical specifications

Temperature range	
Freezing	-9 °C to -30 °C

Maximum load per shelf <sup>A)</sup>			
Appliance width	550 mm	600 mm	750 mm
Grid shelves	--	45 kg	60 kg
Glass shelf	40 kg	40 kg	40 kg
Drawer (freezer appliances)	15 kg	15 kg	15 kg

<sup>A)</sup> Heavier loads may result in a slight bending of the shelves.

Maximum total load and net weight		
Model (see 3.2 Appliance dimensions)	Maximum total load	Net weight
SFF.. 4001	270 kg	76 kg
SFFfg 5501	300 kg	100 kg

Net capacity	
See net capacity on the type plate. (see 2.2 Overview of appliance and equipment)	

WLAN frequency specification	
Frequency band	2.4 GHz
Maximum radiated power	<100 mW

# Customer help

WLAN frequency specification	
Purpose of the wireless equipment	Integration in the local WiFi network for data communication

Set-up conditions	
Degrees of pollution (surrounding the appliance)	PD2
Ambient temperature	+10 °C to +35 °C
Maximum relative ambient moisture	75%, not condensing
Maximum operating elevation (metres above sea level)	2000 m

Electrical values	
Nominal voltage	220-240 V ~
Frequency	50 Hz

Electrical values	
Connected load	2,0 A
Maximum mains fluctuation	+/-10%
Overvoltage categories	II

## 10.2 Technical fault

Your appliance is designed and built to ensure it works reliably and has a long service life. In the unlikely event that a fault occurs during operation, please check whether the fault is due to an operating error. If this is the case, you will be charged for the cost incurred even if this falls within the warranty period.

You can fix the following faults yourself.

### 10.2.1 Appliance function

Defect	Cause	Remedy
<b>The appliance is not working.</b>	→ The appliance is not switched on.	▶ Switch on the appliance.
	→ The mains plug is not properly plugged into the socket.	▶ Check the mains plug.
	→ There is something wrong with the fuse in the socket.	▶ Check fuse.
	→ Power cut	▶ Keep the appliance closed. ▶ If necessary move the refrigerated/frozen items to another fridge or freezer if the power is off for a prolonged period.
	→ The IEC socket is not plugged into the appliance correctly.	▶ Check the IEC socket.
<b>Temperature is not cold enough.</b>	→ The appliance door is not closed properly.	▶ Close appliance door.
	→ Ventilation is not sufficient.	▶ Clear ventilation grille and clean it.
	→ The ambient temperature is too high.	▶ Ensure the correct ambient conditions: (see 2.4 Range of use of appliance)
	→ The appliance was opened too many times or for too long.	▶ Wait to see if the appliance goes back to the required temperature by itself. If not, contact Customer Service. (see 10.3 Customer Service)
	→ The temperature is set incorrectly.	▶ Set a colder temperature and check after 24 hours.
	→ The appliance is too close to a heat source (oven, radiator, etc).	▶ Change where the appliance or the heat source are located.
<b>Frost formation on the housing frame and/or on the inside of the door.</b>	→ Door seal is damaged.	▶ Replace the door seal.
	→ You have set the temperature too cold or you have not opened the door often enough.	▶ The appliance is not malfunctioning; simply remove any condensation with a cloth.

## 10.3 Customer Service

First check whether you can remedy the fault yourself. If this is not the case, please contact Customer Service.

You can find the address in the enclosed brochure "Liebherr-Service" or at [home.liebherr.com/service](http://home.liebherr.com/service).



## WARNING

Unprofessional repair!  
Injuries.

- ▶ Have any repairs and action - not expressly specified - on the appliance and mains cable carried out by service personnel only. (see 9 Maintenance)
- ▶ A damaged mains cable may only be replaced by the manufacturer, the manufacturer's Customer Service or a similarly qualified person.
- ▶ In the case of appliances with an IEC connector, the change may be made by the customer.

### 10.3.1 Contacting Customer Service

Make sure you have the following appliance data at the ready:

- Appliance name (model and index)
- Service no. (Service)
- Serial no. (S no.)
- ▶ Access the appliance information via the display (see 7.2.15 Device information ).

-or-

- ▶ Refer to the type plate for appliance information. (see 10.4 Type plate)
- ▶ Note down appliance information.
- ▶ Inform Customer Service: Report faults and the appliance information.
- ▶ This will help us to provide a fast and focussed service.
- ▶ Follow any further instructions provided by Customer Service.

### 10.4 Type plate

The type plate is inside the appliance. See appliance overview.

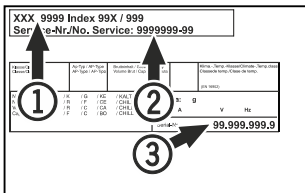


Fig. 157

- (1) Appliance designation      (3) Serial No.  
(2) Service No.

## 11 Shutting down

- ▶ Empty the appliance.
- ▶ Switch off the appliance.
- ▶ Pull the mains plug out of the socket.
- ▶ Remove the IEC socket if required: Pull the IEC socket out of the appliance plug and move it to the left and right at the same time.
- ▶ Clean appliance (see 9.3 Cleaning the appliance) .
- ▶ If present: Remove the covers and insulation from the sensor feed-through to prevent mould forming.
- ▶ Leave the door open so that no bad odours form.

### Note

Damage to the appliance and malfunctions!

- ▶ After shutting down, only store the appliance at the permitted room temperature of between -10 °C and +50 °C.

## 12 Disposal

### 12.1 Preparing appliance for disposal



Li-Ion

Liebherr uses batteries in some of its appliances. In the EU, for environmental reasons, legislation obliges the end user to remove these batteries before disposing of old appliances. If your appliance contains batteries, a corresponding notice is attached.

Lamps      If you can remove the lamps yourself without destroying them, also remove these before disposal.

- ▶ Take the appliance out of operation.
- ▶ If possible: remove lamps without destroying them.

### 12.2 Disposing of the appliance in an environmentally friendly manner



The appliance still contains valuable materials and must be disposed of separately from unsorted municipal waste.



Li-Ion



Li-Ion

Dispose of batteries separately from the old appliance. To do this, you can return the batteries free of charge to retailers as well as recycling centres and collection centres for recyclable materials.

Lamps

Dispose of removed lamps via the respective collection systems.

For Germany:

You can dispose of the appliance free of charge via the class 1 collection containers at the local recycling and recyclable material collection centres. When purchasing a new fridge/freezer, if the sales area > 400 m<sup>2</sup>, retailers will also take back the old appliance free of charge.



## WARNING

Leaking coolant and oil!

Fire. The coolant contained in the appliance is eco-friendly, but also flammable. The oil contained in the appliance is flammable. Escaping coolant and oil can ignite if the concentration is high enough and in contact with an external heat source.

- ▶ Do not damage the pipelines of the coolant circuit and the compressor.

- ▶ Observe the notes on transporting the appliance.
- ▶ Transport the appliance without damaging it.
- ▶ Dispose of batteries, lamps and the appliance according to the above specifications.

## Additional information

---

### 13 Additional information

Further information on warranty conditions can be found in the enclosed service brochure or on the Internet at <https://home.liebherr.com>.



Pass on this info in the event of a device fault:

Model identifier /  
Inventory number:

## Quick Start Guide for everyday use

### Information about using this Quick Start Guide:

- This Quick Start Guide is not a substitute for the full operating instructions nor is it a substitute for appliance training.
- This Quick Start Guide provides support for everyday use and handling the appliance.
- Read the full operating instructions and the safety notes contained therein.

This quick start guide is for: SFFfg 40../55..



Scanning the QR code will open the full operating instructions:



### Intended use

This laboratory freezer, with an interior free of ignition sources, is suitable for professional storage of highly flammable products in closed containers, at temperatures between -9 °C and -30 °C.

### Foreseeable incorrect use

Do not use the appliance for the following applications:

- Storage and refrigeration of:
  - Chemically unstable substances
  - Blood, plasma or other body fluids for the purpose of infusion, application or introduction in the human body
- Use in potentially explosive atmospheres
- Use outdoors or in areas exposed to dampness and splashing water

### When stocking, observe the following points:

- Position grid shelves according to the height required.
- Observe maximum load.
- When the storage temperature has been reached, load the appliance (compliance with cold chain).
- Produce for cooling must not come into contact with the evaporator on the rear wall.
- Keep liquids in closed containers.
- Leave space when storing refrigerated goods to ensure good air circulation.

## Status display

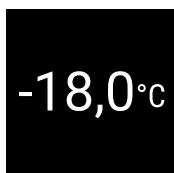


Fig. 158 Status display with actual temperature

## Displaying temperature recording

The temperature recording displays the length of the recording and the minimum and maximum temperatures measured during this period of time.



Fig. 159

## Resetting temperature recording

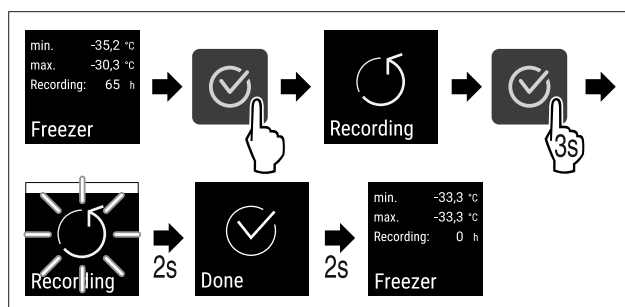


Fig. 160

## Unlocking appliance

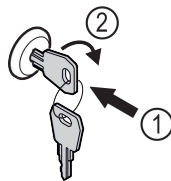


Fig. 161

- ▶ Insert the key. Fig. 161 (1)
- ▶ Turn the key clockwise by 90°. Fig. 161 (2)
- ▶ The appliance is unlocked.

## Locking appliance

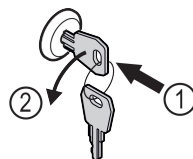


Fig. 162

- ▶ Insert the key. Fig. 162 (1)
- ▶ Turn the key anticlockwise by 90°. Fig. 162 (2)
- ▶ The appliance is locked.

## Cleaning appliance

- ▶ Empty the appliance.
- ▶ Pull out the mains plug.
- ▶ Observe the information in the operating instructions.
- ▶ Dry the appliance and equipment thoroughly after cleaning.
- ▶ Connect the appliance.
- ▶ Switch on the appliance.
- ▶ Load the appliance once the storage temperature is reached.



## What should I do if there is a fault?

A message appears in the display if there is a fault.  
Messages have different meanings:

Symbol colour in the display	Meaning	Remedy
<b>WHITE with black bar</b>	<b>Reminder</b> Reminder of general procedures. You can carry out these procedures to eliminate the message.	Consult the operating instructions and perform the troubleshooting steps.
<b>WHITE</b>	<b>Warning</b> Appears when there are malfunctions. You can eliminate simple malfunctions yourself.	Consult the operating instructions and perform the troubleshooting steps.

If you cannot remedy the fault yourself, contact a competent member of staff or your nearest customer service outlet.



[home.liebherr.com/fridge-manuals](https://home.liebherr.com/fridge-manuals)

**EN** Freezer  
ORIGINAL OPERATOR'S MANUAL

Issue date: 20260225

**Part number index: 7080746-00**

Liebherr Hausgeräte Lienz GmbH  
Dr.-Hans-Liebherr-Strasse 1  
A-9900 Lienz  
Österreich

