

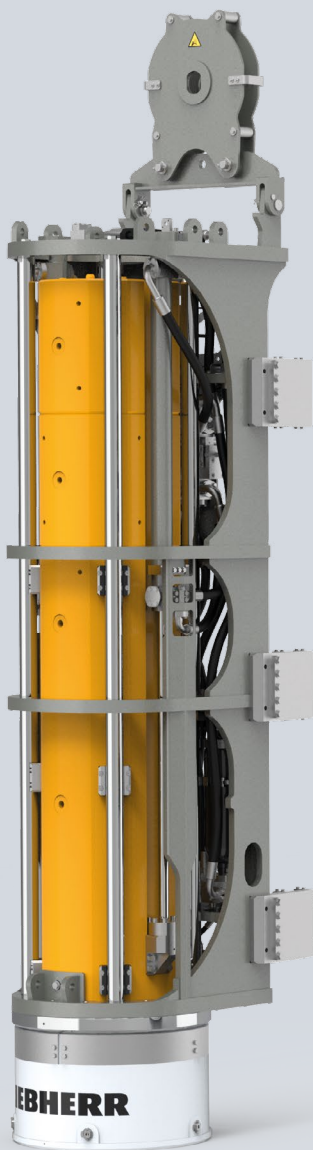
EN

H 6, H 10, H 15

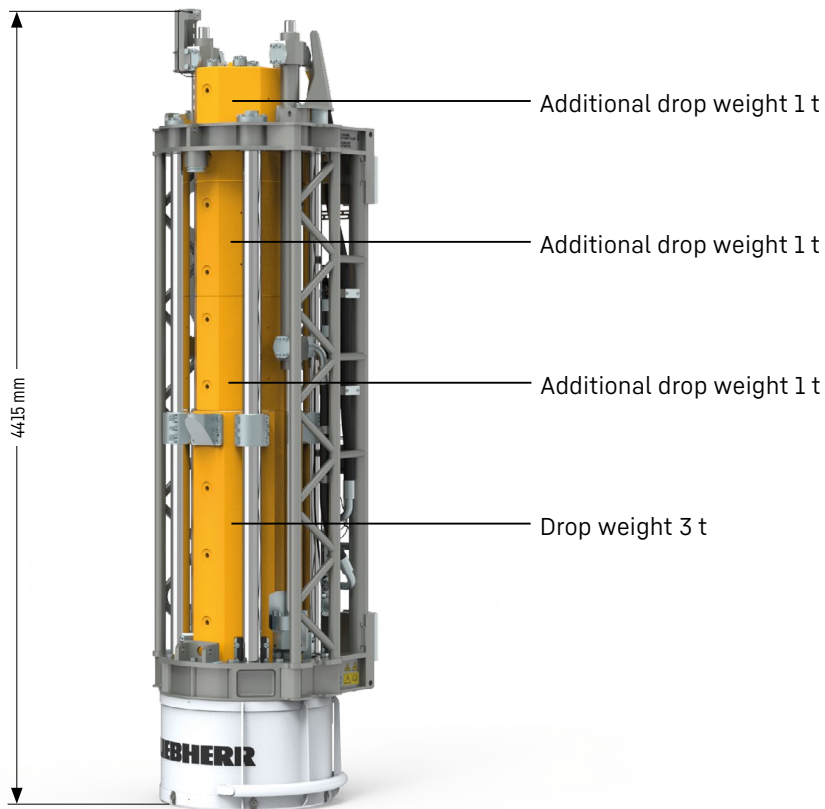
Hydraulic hammer
www.liebherr.com

LIEBHERR

Deep foundation machines



Hydraulic hammer H 6



Technical data H 6

Hammer type		H 6-3	H 6-4	H 6-5	H 6-6
Drop weight	kg	3000	4000	5000	6000
Max. rated energy	kNm	36	48	60	72
Blow rate - blows/min		50-150	50-150	50-150	40-150
Hammer weight incl. pile helmet and dolly	kg	6700	7700	8700	9700
Drop height	mm	1200	1200	1200	1200
Inclination		1:3	1:3	1:3	1:3

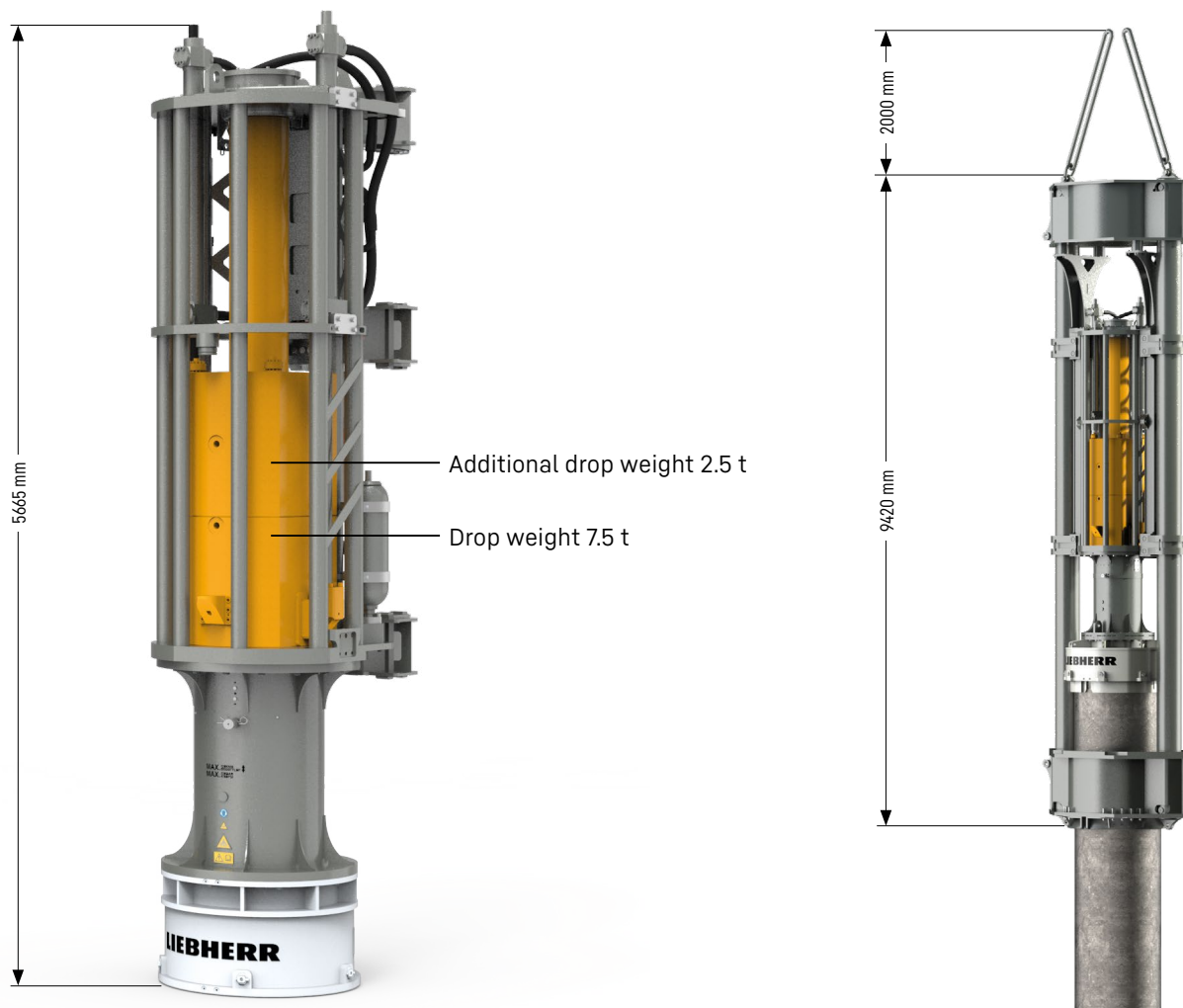
Various pile helmet sizes available on request

Soundproofing is standard

The modular weights are interchangeable.

Requirement for stand-alone hammer control: 250 l/min at 330 bar

Hydraulic hammer H 10



Technical data H 10

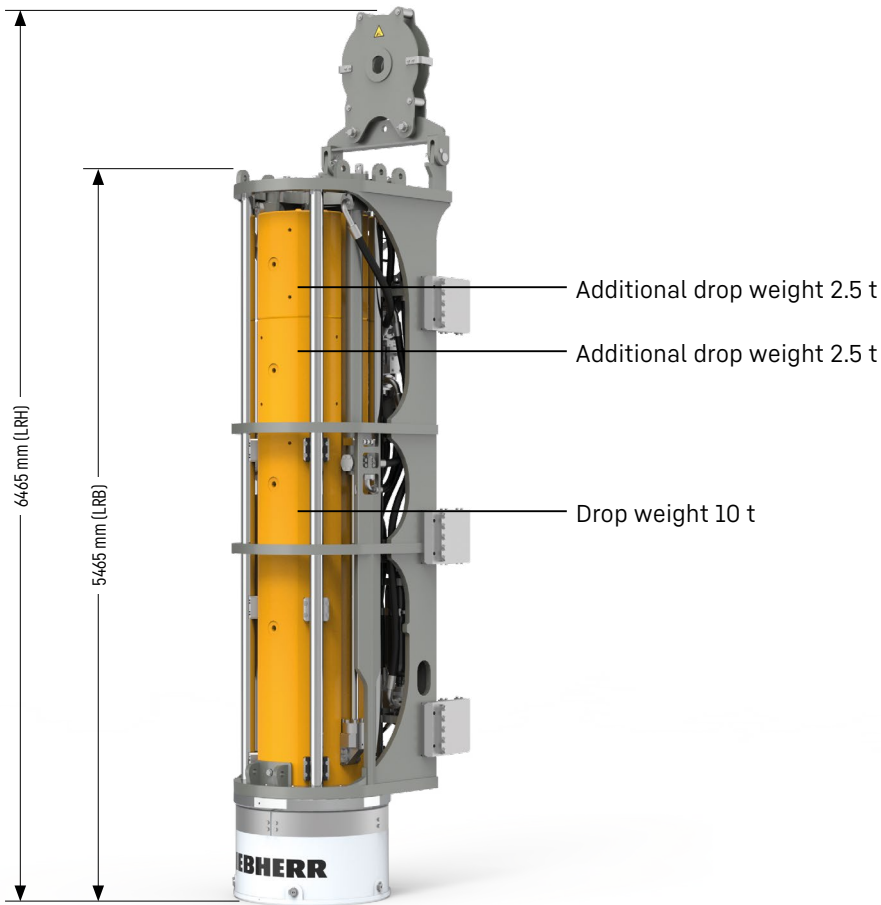
Hammer type		H 10-75	H 10-100	free-hanging
Drop weight	kg	7500	10000	-
Max. rated energy	kNm	90	120	-
Blow rate - blows/min		50-150	50-150	-
Hammer weight incl. pile helmet and dolly	kg	13700	16200	-
Hammer weight (free-hanging) cpl.	kg	21500	24000	8500
Max. pipe diameter	mm	-	-	1219
Drop height	mm	1200	1200	1200
Inclination		1:1	1:1	1:3

Various pile helmet sizes available on request

Soundproofing is standard

Requirement for stand-alone hammer control: 390 l/min at 330 bar

Hydraulic hammer H 15



Technical data H 15

Hammer type		H 15-10	H 15-12	H 15-15
Drop weight	kg	10000	12500	15000
Max. rated energy	kNm	150	188	225
Blow rate - blows/min		30-80	30-80	30-80
Hammer weight incl. pile helmet and dolly	kg	18800	21300	23800
Drop height	mm	1500	1500	1500
Inclination		1:3	1:3	1:3

Various pile helmet sizes available on request

Soundproofing is standard

The modular weights are interchangeable.

Requirement for stand-alone hammer control: 640 l/min at 330 bar

Liebherr-Werk Nenzing GmbH · Dr. Hans Liebherr Str. 1 · 6710 Nenzing, Austria
 Phone +43 50809 41-473 · crawler.crane@liebherr.com · www.liebherr.com
 facebook.com/LiebherrConstruction