
Opening up new horizons

PR 716 G8 – PR 726 G8 – PR 736 G8

LIEBHERR

Crawler dozers



Precision and speed³

Generation 8



Liebherr Operator Assistance Systems



Set your creativity free

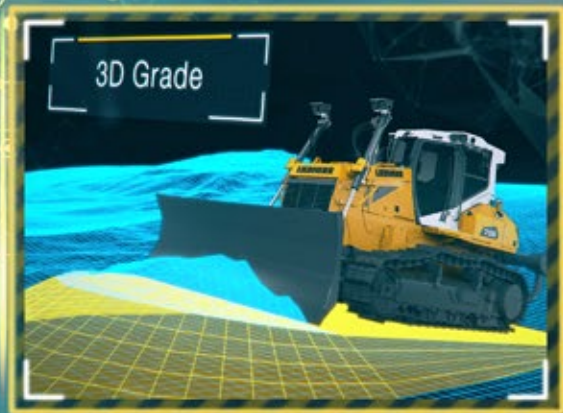
Active blade stabilisation for free grading.



Define your own standards

Active blade positioning, position display and control.

For levelling ground with specified longitudinal grade and cross slope.



Precision in every dimension

Roof mounted Topcon as an option 3D machine control ex-works. For creating complex 3D site models.



Performance

When you have big plans:
you need to hit the ground running

Profitability

The best investment for cost-effective
construction

Reliability

You can rely 100% on your
equipment

Comfort

Liebherr Silent Design:
keeps your eye on the job in hand

Service

On-site for you:
our worldwide service network

The driver's dozer

Moving the earth. Shaping horizons





PR 716 G8 Litronic

Operating weight
13,300–15,800 kg
Engine rating
97 kW / 132 HP
Stage V / Tier 4 Final
Blade capacity
2.92–3.3 m³

PR 726 G8 Litronic

Operating weight
17,500–20,800 kg
Engine rating
125 kW / 170 HP
Stage V / Tier 4 Final
Blade capacity
3.33–3.87 m³

PR 736 G8 Litronic

Operating weight
21,200–25,500 kg
Engine rating
160 kW / 217 HP
Stage V / Tier 4 Final
Blade capacity
4.1–5.57 m³

Performance



When you have big plans: you need to hit the ground running

As a driver you demand: Full power on-call at all times – even with varying weather conditions and grades of material. Whether in heavy dozing or in precise levelling: The new Generation 8 keeps you “in the fast lane”. The hydrostatic drive always delivers the optimum pushing speed. The Operator Assistance Systems guarantee maximum grading quality and efficiency.

Your multifunctional tool. Your crawler dozer

Your goal: Ideal performance with every operating step

For productive use, every operating step you make demands the ideal combination of speed and traction. The Liebherr crawler dozer, lets you choose the highest possible speed for your operating conditions and directly call up full thrust at any time via the joystick.

Fully automatic without compromise: perfect breakout force on any terrain

Through the Liebherr hydrostatic drive, the machine automatically and continuously delivers the correct traction when ripping – without any gear changes. At the end of ripping the first strip, the rear ripper is raised automatically at the push of a button. The undercarriage design also gives you the added benefit of a low centre of gravity. Ready to tackle any stony or steep terrain, the fixed ripper control with mini-joystick ensures you always find a stable hold.*

Your added bonus in pushing speed

If the ground is loose, simply select a higher speed range. Due to the electronic pilot control, not only can you set the speed of the machine, you can also select the reactivity and speed of the operating hydraulics in the display. You can also equip your Generation 8 crawler dozer with the proven Liebherr quality heavy duty blade.



Even more powerful Liebherr diesel engine

We install our own diesel engines in our crawler dozers – specifically designed for heavy construction machinery. In combination with the hydrostatic drive, your machine generates the maximum tractive power at any speed.



Automate operating movements

- Quick Drop: Rapid lowering of the blade
- Auto Blade: Automatic raising and lowering of the blade
- Automatic lifting of the rear ripper at the push of a button

Productivity and creativity brought together for you

Effective power and economy in eco mode

Re-cultivate the site after extracting the materials of value. Here you can switch to the environmentally friendly eco mode for light work and material transfer. This lets you achieve both your required pushing performance and maximum fuel economy.

Safe on slopes at top speed

When driving on slopes and embankments, the machine assists you with automatic speed monitoring. The Hill Assist function, with automatic parking brake, makes hill starts simple. The modern Liebherr drive system completely dispenses with the need for a wear-intensive foot brake.

Reach the finish line faster with Liebherr Assistance Systems

The standard Liebherr “Free Grade” provides you with active blade stabilisation when grading surfaces, ramps and embankments with longitudinal and transverse slopes. Together with the two other assistance modes, “Definition Grade” and “3D Grade” (optional), this system will help you, as an experienced operator, to increase productivity and save time. In addition, you can keep your eye on the job in hand and avoid dangerous driving situations.



Grading to the power of 3

The three levels of Liebherr operator assistance functions increase both the speed and the quality of the grading performance for both inexperienced and professional drivers.

* Now included as standard for the PR 736 to PR 776 size crawler dozers.

Profitability



The best investment for cost-effective construction

Profitable crawler dozer operation is much more than just cutting the cost of moving material. That is why, when developing the new Generation 8, we focused our attention on your entire construction site process: From simple transport, through cost-effective operation for both light and heavy applications, with the aid of intelligent assistance systems, right up to service logistics.

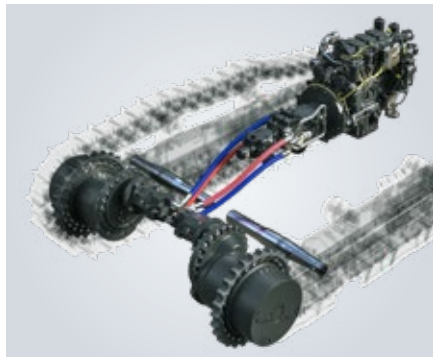
Never leave anything to chance

Profitable operation starts with transportation

At Liebherr, we focus our development on the overall process – because cost effective crawler dozer use is determined by all the processes in daily operations. As a result, your new Liebherr machine, with a 6-way folding blade, can be transported without the use of special tools or a special transport permit. In addition, the operation of a hydrostatically controlled machine is so simple and intuitive that every truck driver can load it safely. With the optional reversing camera manoeuvring is even easier.

The choice is up to you!

You decide how much “power” the Liebherr crawler dozer will give you. If large quantities of material are to be moved, the hydrostatic drive works at constant engine speed to save resources and keep costs down. The larger blade capacities of the Generation 8 machines give additional reserves of power. For light work, you can give priority economy with the eco mode. And every time, the environment always benefits. Generation 8 ranks particularly well in heavily built-up commercial areas due to its low noise emissions.



Advanced ideas and successful innovation

With ground breaking concepts, such as stepless drive with adaptive tractive force adjustment, joystick control, drive by wire and automatic speed control, we never fail to impress our customers time and again.



Trend setting for our customers

“Through the uncompromising customer focus of our company I am continuously inspired to implement trend setting solutions. One example of this is the integration of assistance systems into the advanced operating design of our dozers.”

R. Adam-Heinrich
Software developer (LWT)

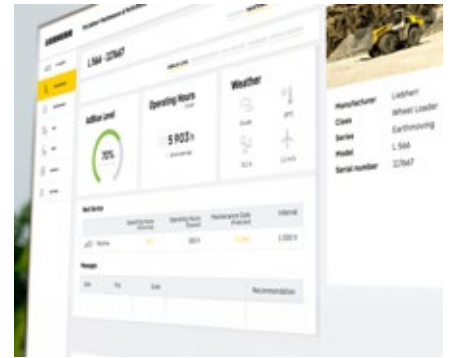
Machine intelligence that supports you

“Definition Grade” – the new site laser

Within level 2 of the new Liebherr Operator Assistance Systems, “Definition Grade” allows you to model a 2D surface without a rotating laser. All you need is a reference point from your site surveyor. With the blade automatically lowering to the reference measurement, the creation of a precise 2D surface is child’s play – even over large distances and in different pushing directions. All without the need for a laser or complex machine controls with satellite connection. And at the same time, Liebherr technology now enables grading speeds that previously could not be achieved.

Smart service logistics – MyLiebherr

With the Liebherr Connect fleet management, you can plan your next service and always keep an eye on upcoming maintenance work. If the worst comes to the worst: Simply notify your service partner and order the right spare part including express delivery via MyLiebherr on your mobile phone.



Liebherr Connect: Keeping an eye on critical parameters

Liebherr Connect is a fleet management tool that provides you with information on location as well operation of your construction machinery. This includes machine position, operating and usage times, fuel consumption and service interval information.

Reliability



You can rely 100 % on your equipment

You can programme your dozer to precisely match your working conditions and be fully reliant on the professional equipment from Liebherr. The high quality engineering concept of Generation 8 extends across the entire life of the machine. Starting from initial development of our sturdy construction machines, it covers all factors of safety for daily operation.

Safety without compromise

Check: All systems up and running

Demanding tasks require your full attention. With a single glance at the new 9-inch touch display you can be certain that all operating parameters are in the green range. And whether for CB radio, a tablet or kettle: The full 12 and 24 volts supply, with two USB sockets, ensures everyone can plug in to the right connection.

Dependable on any terrain

The continuously variable hydrostatic Liebherr drive particularly shows its strengths when driving on extremely soft ground: With permanent traction on both drive tracks, you can manoeuvre the machine, without changing gear, completely free from jerking. In combination with the good weight distribution, this means your crawler dozer is always safe and sure on the move.

Minimise your risk

When spreading material, you will be surprised by the height of the ground clearance. Due to the compact design of the hydrostatic drive components, the centre of gravity of the machine remains very low. Normal drive (low drive) has been ideally designed and operates particularly well on softer ground, whereby noise levels also remain exceptionally low. In addition, the Liebherr dozer has a large wading depth. The demand-driven hydrostatic fan saves energy and lowers the noise levels even further.

Make sure you are well equipped

Long-lasting drive

You can rely on the standard tracks from Liebherr for every task. Particularly with high abrasion applications, such as flushing fields, you can equip your crawler dozer with a wide drive for the lowest ground pressure and a FTB (Free Turning Bushings) track. The track bushes on the Liebherr FTB undercarriage are free turning and the base plates are provided with cleaning holes. This extends the service life of the track and sprockets.

The perfect interaction between man and machine

We focus the core of our design development on the way you work. No sooner in the driving seat, you will experience the perfect integration of your workplace into the surrounding environment: advanced machine design with clear visibility to all sides. You will quickly familiarise yourself with the intuitive control of your Liebherr crawler dozer, because all the driving functions have been reduced to a central control element. The cutting-edge drive system always provides the necessary thrust on-demand and maintains the selected speed even under extreme conditions. The only limits are physical constraints and your own creativity. As the operator, you are protected by the restraint system and integrated ROPS / FOPS protection. The integrated, electronically controlled protection mechanisms, with automatic maximum load control and on-board monitoring, ensure you can fully exploit the potential of your dozer even over prolonged periods.

Advanced digital development, tried and tested on site

From stability analyses, to visual and operating simulations and vibration behaviour: Our products are put through numerous tests as virtual prototypes, in combination with the full range of digital 3D engineering design tools, and in daily use on construction sites they prove themselves all over the world.

Tough machines demand tough equipment

Particularly high grade materials are used on the face and cutting edges of Liebherr blade equipment. The perfect solution for every application is available from the wide selection and varied range of equipment offered.

The highest level of quality, in everything we do

The Liebherr promise: the highest level of quality and a real contribution to the success and profitability of our customers. This is our top priority. To do this, we adapt the latest manufacturing methods to meet the specific requirements of our products and continuously invest in the modernisation of our production facilities.

Comfort



Liebherr Silent Design: keeps your eye on the job in hand

Crawler dozer operators depend fully on all of their senses. Through effective shock absorption, the latest Generation 8 dozer filters out vibrations, but you still have the full feedback to form the perfect level. The reassuring Operator Assistance Systems help you to exceed your demands for productivity and precision. Through the digital display interface you always keep an eye on your objective.

From workplace to workspace

Start your shift in safety and comfort

As a crawler dozer operator, you play a leading role on the construction site and are frequently one of the first into action. For this reason, your new Liebherr machine is ready and waiting with lighting for access and exit as well as for the engine compartment and centralised maintenance points to simplify early morning inspection.

Setting up your workplace

Right from the start, you can feel at home in the spacious driver's cabin and adjust the seat and joysticks to match your own ergonomic needs. Your presence is immediately detected by the seat contact switch, leaving you free to belt up and get started right away. The new 9" touch display gives you access to all key parameters and individual settings for the drive and operating hydraulics.

24/7: The best outlook in any weather

Immediately from start up at the crack of dawn, your Liebherr crawler dozer will draw the attention of workmates on site. The advanced lighting layout illuminates even the outermost corners around the machine. With large glass surfaces, sloping shapes for containers and ideal positioning of exhaust pipe and driver's seat, the design is optimised for visibility to give you a clear overview even in tight spaces. The windscreen wipers can be regulated separately for perfect visibility in every direction.

Your strength. Your versatility

Welcome to the digital construction site

Now you will be able to model simple 2D surfaces in an instant. And at the same time, as a driver of a Generation 8 dozer, you will always be ready for complex construction jobs. With the benefit of location sharing, our Liebherr Connect fleet management and configuration with the integrated 3D technology, you will always be in big demand on the construction site. All necessary 3D data for your new project can be imported and displayed directly via Sitelink 3D.

Carry out your tasks in high definition

Topcon's optional roof-mounted 3D solution is already fitted and calibrated ex-works; so you can get started right away. The fully automatic machine control positions the 6-way blade of your dozer exactly in all three dimensions. The open architecture and standardised terrain models enable easy and simple integration into digital construction site processes.

"Ready" for Trimble and Leica

Pre-installed kits are available, as an option, for setting up the latest 2D and 3D machine controls from the manufacturers Trimble and Leica. The Ready Kits give you option to upgrade your crawler dozer at any time in the future.



New 9" touch user interface

- Operating status
- Service notifications
- Configuration of drive and operating hydraulics
- Eco mode
- Liebherr Operator Assistance



Intelligent Liebherr control

In the Generation 8 crawler dozer you are ready for the future:

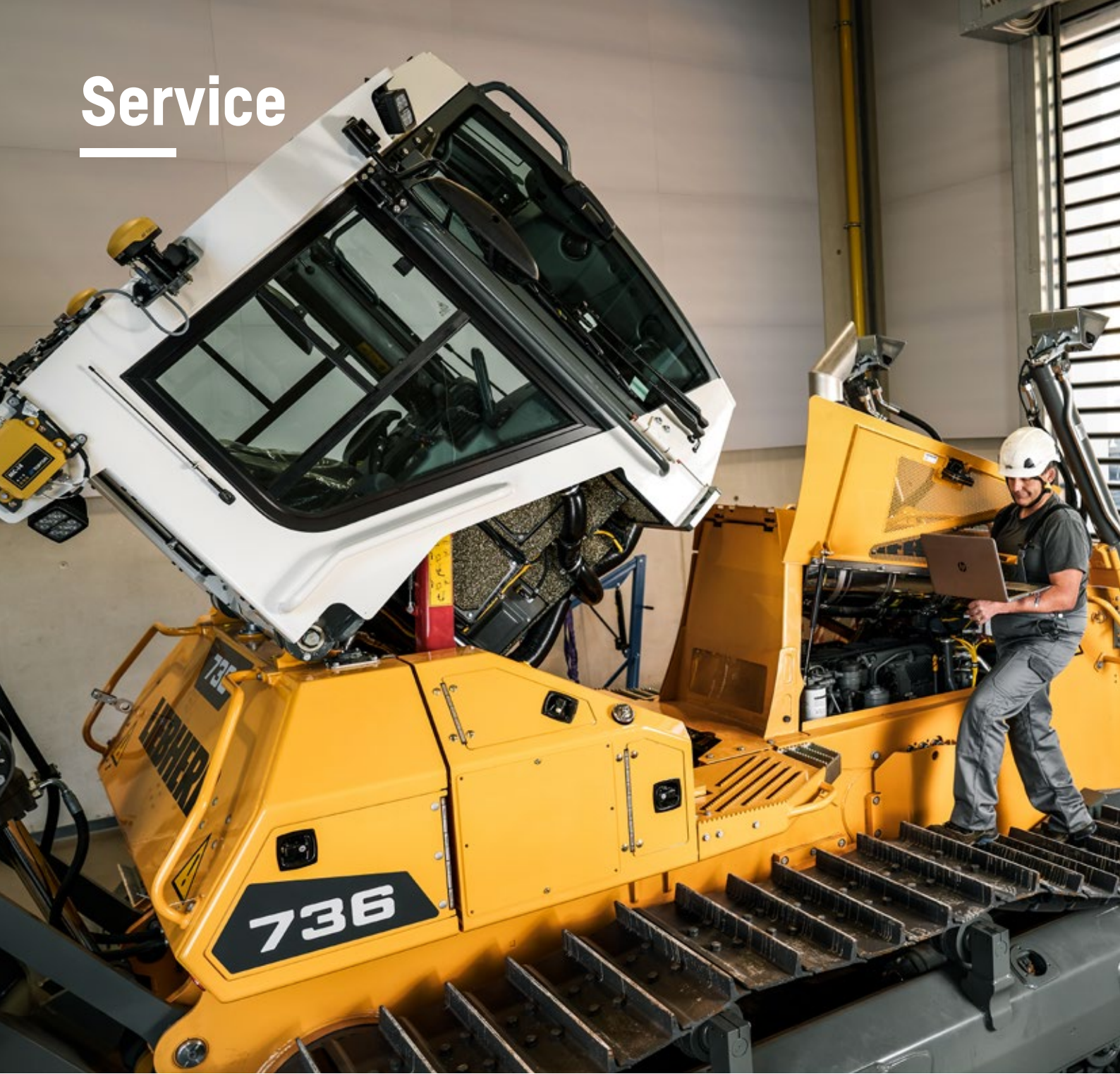
- Highly automated stepless drive
- Electronically controlled operating hydraulics
- Automated operating movements
- Advanced machine interface



Spacious, quiet and comfortable cabin

- Access and exit step lighting
- Climate control
- Cold storage compartment
- 12 V and 24 V plug socket
- 2 USB sockets

Service



On-site for you: our worldwide service network

Our focus on customer satisfaction is in our genetic profile. That is why Liebherr service is just a phone call away – regardless of where you are in the world. Our network of service partners guarantees quick and professional support directly on site. For Liebherr, speed and reliability are an integral part of our service provision. Because short reaction times directly reduce downtime and contribute restoring your machine's productivity quickly.

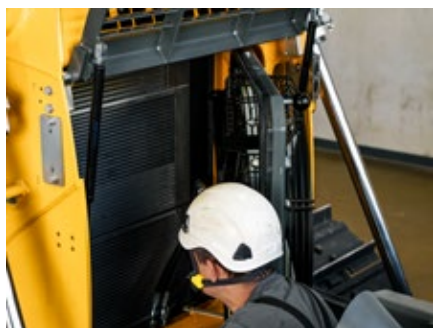
The highlight of the working day

Quick and simple every day!

Daily maintenance before start-up should never be a chore, it is after all, a vital factor for long machine service life. As the key points of maintenance are centralised for the driver, daily inspection of your Liebherr crawler dozer is simple, quick and easy.

Focus on serviceability

All service points are readily accessible via easy grips and steps that let the service engineer start his work quickly and safely. With engine compartment lighting and diagnostic ports routed out for access, an overview of the machine status can be gained in no time at all. The standard hydraulically tilting cab allows easy access to the drive components, without the use of a crane, even in the field.



Simple cleaning of the radiator

Liebherr crawler dozers are fitted with a swivelling fan as standard and with a quick-release fastener as an option. This allows cleaning from the outside in record time. An optional reversible fan is recommended for self-cleaning, particularly in dust-intensive dozer applications.

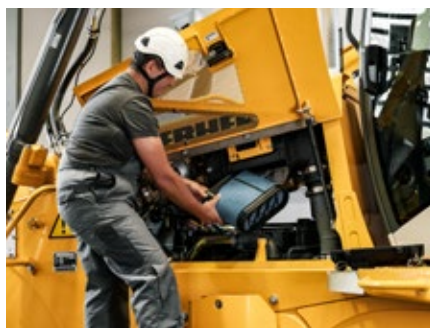
We live for service

Breakdown is not an option

Despite long service and predicted maintenance intervals: A service notification interrupts the usual progress of work. For this very reason, the objective of the entire Liebherr service chain is maximum machine availability. Short response times and fast deliveries are topmost priorities.

Time saved = money saved

Through Liebherr Connect fleet management, the Liebherr service technician, with your consent, can call up the location of the machine directly and receive reliable information on the forthcoming service tasks. Via the MyLiebherr customer portal you can gain online access to the latest spare parts documentation for your machine and order directly from your Liebherr service partner.



Fully trained service engineer

All Liebherr customer service technicians undergo intensive training and continuous professional development. This not only covers remote diagnostics and fault analysis, but above all how to quickly determine the right solution on the customer's machine.

Strong service partner

Dependable service today and in the future

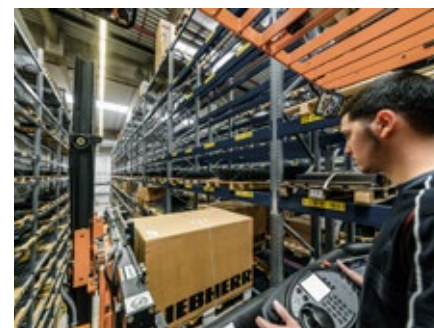
With Liebherr you can rely on long-term support and certainty based on partnership. Liebherr and our service partners act as the guarantors for this.

Worldwide service network

Service support points all over the world make "close to you" a literal reality. Technical experts from Liebherr's service partners are always ready to provide competent and reliable support.

Tailor-made service agreements

A single source for all service needs: Liebherr's service agreements provide for secure investment and increase the profitability of your machine.



Spare parts over 30 hectares

The high bay warehouse in our international logistics centre has some 60,000 automated pallets and 33,000 manual storage spaces, and the small parts warehouse has 122,000 container storage spaces. This is where we store spare parts of various weights, from one gram to 40 tonnes.

The driver's dozer



Moving the earth. Shaping horizons

As a driver, you are at the centre of operations and responsible for the success of the project. You have to fulfil the specified requirements on time and always find appropriate solutions. A Liebherr Generation 8 crawler dozer lets you use your skills and capability to the full. You are both goal-oriented and creative in your work and thus benefit from the latest digital dozer technology in each assignment.



No job is too ambitious for you

On site, you call the shots:

Where every tonne makes a difference, and cost effective operations are crucial. As a dozer operator, your contribution here can be significant: from supply of material, to site and storage capacity management. You are able to readily adapt a Liebherr crawler dozer to the prevailing demands. And the advanced drive management system with eco mode provides you ideal support.

You shape and form the terrain

The powerful features of Liebherr Assistance Systems are immediately evident when creating the vehicle site access. "Definition Grade" lets you create a precise formation level including the required surface inclination. With the optional "3D Grade" machine control, you can also create simple 3D surface models directly on the display and execute them in automatic mode.

You can make complex tasks look perfectly simple

For stockpiling, the extended blade will speed up your work. And on loose aggregate and softer ground the new Generation 8 dozer really comes up trumps: With the machine's low centre of gravity and consistent power to both tracks, you can even make cross slope pushing look like child's play. Sensors maintain your current driving speed and keep you perfectly in line. Active braking downhill is not necessary.

You set high demands on your work

You'll just love your new workplace

Even under the most extreme operations and all types of weather, you will be impressed by the comfort of our new crawler dozers. The advanced Liebherr driver's cabin, with hydro-elastic mountings, offers the lowest sound levels and effective absorption of vibrations. Together with the first-class seating and joystick ergonomics, you will even take long working days in your stride.

You can service your machine both quickly and safely

Whatever the weather, maintenance of the Liebherr crawler dozers is quick, easy and safe for you to carry out. This is a particular point of emphasis in our product development. It starts out with the engineering design, where Liebherr technicians design and test the positioning of maintenance points using virtual reality. Particular highlighted features of maintenance are; the readily accessible dipstick and fluid filler nozzles, the exposed lubrication points for the equaliser bar and maintenance-free bearings.

Sustainability is important for you

Even when your work is done, there are still features of the new Liebherr crawler dozer that will come as a pleasant surprise: Due to real-time Load Sensing*, the machine only calls up the hydraulic power that is currently needed. Excess energy, however, is not dissipated, as is normally the case with conventional systems. This protects the components and reduces diesel consumption. Furthermore, the efficient high-temperature combustion in the Liebherr diesel engine and exhaust gas aftertreatment with the SCR filter (combined diesel particle filter and selective catalyst with AdBlue injection)* helps protect the environment.

* depending on model

Highlights Generation 8

Precision and speed

- Exceptional grading performance
- Liebherr Operator Assistance Systems (OAS)

Intelligent, efficient and productive

- Electronically controlled drive with Eco mode

Relaxed work environment

- Liebherr Silent Design
- Premium comfort cab





Flexible, adapts to the way you work

- Electronically controlled operating hydraulics
- Human-machine interaction

Future-proof technology

- Advanced Liebherr diesel engine emission Stage V
- "BIM ready"
- 3D site modelling (3D Grade)
- MyLiebherr service portal

Technical data PR 716



Engine

Liebherr Diesel engine	D 924 A7 Emission regulations according to 2016/1628 Stage V, EPA/CARB Tier 4 Final
Rated power (net) ISO 9249 SAE J1349	97 kW / 132 HP 97 kW / 130 HP
Maximum power (net) ISO 9249 SAE J1349	107 kW / 146 HP 107 kW / 144 HP
Rated speed	2,100 rpm
Displacement	4.5 l / 275 in ³
Design	4 cylinder in-line engine, water-cooled, turbocharged, air-to-air intercooler
Injection system	Direct fuel injection, Common Rail, electronic control
Lubrication	Pressurised lube system, engine lubrication guaranteed for inclinations up to 35°, on all sides
Operating voltage	24 V
Alternator	140 A
Starter	5.5 kW / 7 HP
Batteries	2 x 100 Ah / 12 V
Air cleaner	Dry-type air cleaner with vacuum indicator, main and safety elements
Cooling system	Combi radiator, comprising radiators for water, hydraulic fluid and charge air. Hydrostatic fan drive



Hydraulics

Hydraulic system	Open-center with load-sensing valve block
Pump type	Gear pump
Pump flow max.	97 l / min. / 25.6 gpm / 21.3 Imp.gpm
Pressure limitation	220 bar / 3,190 psi
Control valve	3 segments, expandable to 4
Filter system	Return filter with magnetic rod in the hydraulic tank
Control	Single joystick for all blade functions



Travel drive, control

Transmission system	Infinitely variable hydrostatic travel drive, independent drive for each track
Travel speed*	Continuously variable
Speed range 1:	0 - 6.5 km/h / 4.0 mph (forward & reverse)
Speed range 2:	0 - 8.5 km/h / 5.3 mph (forward & reverse)
Speed range 3:	0 - 10.0 km/h / 6.2 mph (forward & reverse)
	*Travel speed ranges can be set on the travel joystick (memory function)
Electronic control	The electronic system automatically adjusts travel speed and drawbar pull to match changing load conditions
Steering	Hydrostatic
Service brake	Hydrostatic (self-locking), wear-free
Parking brake	Multi-disk brake, wear-free, automatically applied with neutral joystick position
Cooling system	Hydraulic oil cooler integrated in combi radiator, hydrostatic fan drive
Filter system	Micro cartridge filters in replenishing circuit
Final drive	Combination spur gear with planetary gear
Control	Single joystick for all travel and steering functions. Optional: detented Joystick, with inching pedal



Operator's cab

Cab	Hydroelastic mounted cab with positive pressure ventilation, can be tilted with hand pump 40° to the rear. With integrated ROPS Rollover Protective Structure (EN ISO 3471) and FOPS Falling Objects Protective Structure (EN ISO 3449)
Operator's seat	Air-suspended comfort seat, fully adjustable
Monitoring	Touch screen: display of current machine information, automatic monitoring of operating conditions. Individual setting of machine parameters
Vibration emission	
Hand / arm vibrations	< 2.5 m/s ² , according with ISO 5349-1:2001 or ISO 5349-2:2015-12
Whole-body vibrations	0.24 - 1.31 m/s ² , complies with technical report ISO/TR 25398:2006
Measuring inaccuracy	According with standard EN 12096:1997

Undercarriage

	XL	LGP
Design	Undercarriage with rigid bottom rollers	
Mounting	Via separate pivot shafts and equalizer bar	
Track chains	Lubricated, single-grouser shoes, tensioning via a steel spring and grease tensioner	
Links, each side	39	39
Track rollers, each side	7	7
Carrier rollers, each side	1 (2*)	1 (2*)
Sprocket segments, each side	5	5
Track shoes, standard	560 mm / 22"	610 mm / 24"
Track shoes, optional		711 mm / 28" 762 mm / 30"

* Rotary bushing undercarriage FTB: 2 carrier rollers

Sound levels

Operator sound exposure ISO 6396	
L_{pA} (in the cab)	75 dB(A)
Exterior sound pressure 2000/14/EC	
L_{WA} (to the environment)	109 dB(A)

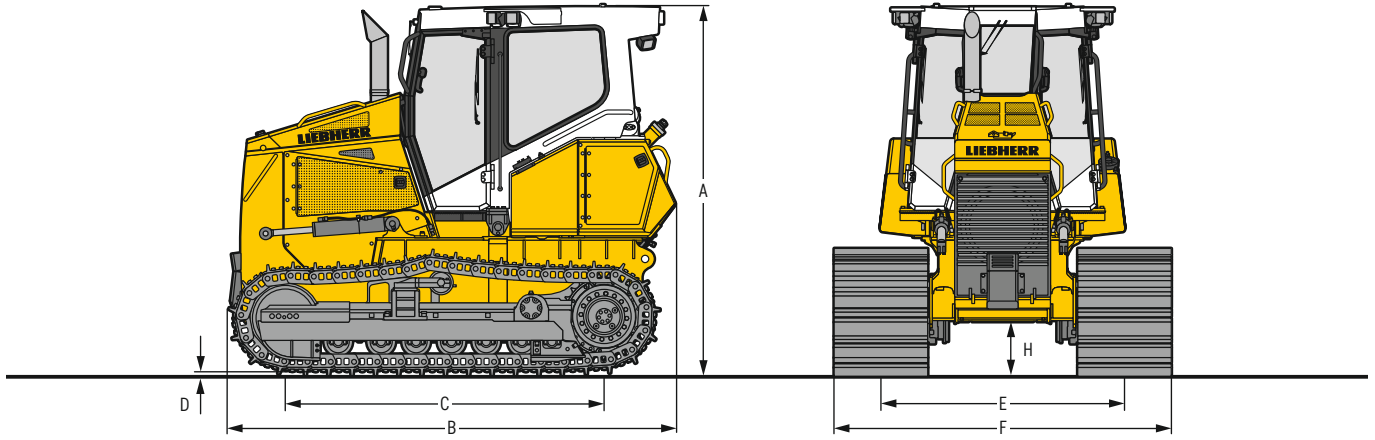
Refill capacities

Fuel tank	320 l / 84.5 gal / 70.4 Imp.gal
Diesel Exhaust Fluid (DEF) tank	45 l / 11.9 gal / 0.9 Imp.gal
Cooling system	24 l / 6.3 gal / 5.3 Imp.gal
Engine oil, with filter	19 l / 5 gal / 4.2 Imp.gal
Hydraulic tank	101 l / 26.7 gal / 22.2 Imp.gal
Final drive XL, LGP, each side	7.5 l / 2 gal / 1.6 Imp.gal

Drawbar pull

Max.	215 kN
at 1.5 km / h / 0.9 mph	190 kN
at 3.0 km / h / 1.9 mph	96 kN
at 6.0 km / h / 3.7 mph	49 kN
at 9.0 km / h / 5.6 mph	32 kN

Dimensions PR 716



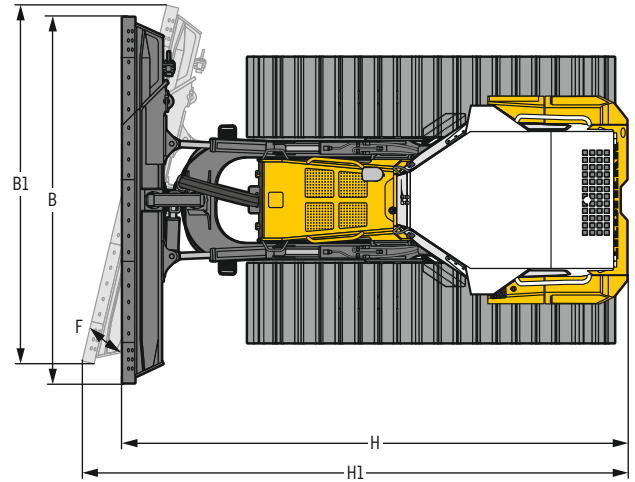
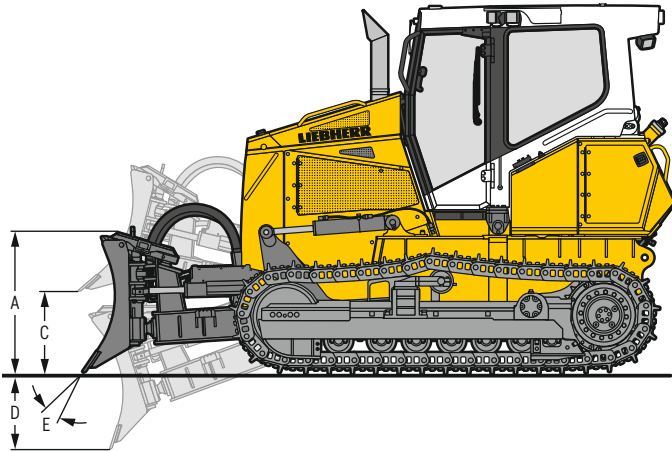
Dimensions

Undercarriage		XL	LGP
A Height over cab	mm	3,017 ²⁾	3,017 ²⁾
	ft in	9'11"	9'11"
B Overall length without attachments	mm	3,655	3,655
	ft in	12'	12'
C Length of track on ground	mm	2,605	2,605
	ft in	8'7"	8'7"
D Height of grousers	mm	55.5	55.5
	ft in	2.19"	2.19"
E Track gauge	mm	1,780	1,980
	ft in	5'10"	6'6"
H Ground clearance	mm	443	443
	ft in	1'5"	1'5"
F Track shoes 560 mm / 22"	mm / ft in	2,340 / 7'8"	–
	Tractor shipping weight ¹⁾	kg / lb	11,559 / 25,483
F Track shoes 610 mm / 24"	mm / ft in	–	2,590 / 8'6"
	Tractor shipping weight ¹⁾	kg / lb	11,718 / 25,834
F Track shoes 711 mm / 28"	mm / ft in	–	2,691 / 8'10"
	Tractor shipping weight ¹⁾	kg / lb	11,933 / 26,308
F Track shoes 762 mm / 30"	mm / ft in	–	2,742 / 9'
	Tractor shipping weight ¹⁾	kg / lb	12,042 / 26,548

¹⁾ Including coolant and lubricants, 20% fuel, ROPS / FOPS cab.

²⁾ Transport shipping height increases with optional equipment: Topcon 3D Grade +155 mm, preparation for Trimble & Leica +130 mm, amber beacon/beacon for back-up alarm +230 mm, dust filter overpressure system for cab +535 mm, protective cover for air conditioning condenser +170 mm, branch deflector (sweeps) +165 mm, other equipment on request.

Front attachments PR 716



6-Way blade with inside mounted push frame

		6-way blade	6-way blade with hinged corner	6-way blade	6-way blade with hinged corner
Undercarriage		XL	XL	LGP	LGP
Blade capacity, ISO 9246	m ³	2.92	2.92	3.30	3.30
	yd ³	3.82	3.82	4.32	4.32
A Height of blade	mm	1,135	1,135	1,135	1,135
	ft in	3'9"	3'9"	3'9"	3'9"
B Width of blade	mm	3,145	3,145	3,510	3,510
	ft in	10'4"	10'4"	11'6"	11'6"
B1 Width of blade, angled	mm	2,896	2,896	3,226	3,226
	ft in	9'6"	9'6"	10'7"	10'7"
Transport width	mm	2,896	2,467	3,226	2,809
	ft in	9'6"	8'1"	10'7"	9'3"
C Lifting height	mm	1,055	1,055	1,055	1,055
	ft in	3'6"	3'6"	3'6"	3'6"
D Digging depth	mm	456	456	456	456
	ft in	1'6"	1'6"	1'6"	1'6"
E Blade pitch adjustment		5°	5°	5°	5°
F Blade angle adjustment		25°	25°	25°	25°
Max. blade tilt	mm	449	449	500	500
	ft in	1'6"	1'6"	1'8"	1'8"
H Overall length, blade straight	mm	4,850	4,850	4,850	4,850
	ft in	15'11"	15'11"	15'11"	15'11"
H1 Overall length, blade angled	mm	5,472	5,472	5,550	5,550
	ft in	17'11"	17'11"	18'3"	18'3"
F Track shoes 560 mm / 22"					
Operating weight ¹⁾	kg / lb	13,290 / 29,299	13,650 / 30,093	–	–
Ground pressure, ISO16754 ¹⁾	kg/cm ² / psi	0.41 / 5.83	0.41 / 5.83	–	–
F Track shoes 610 mm / 24"					
Operating weight ¹⁾	kg / lb	–	–	13,506 / 29,776	13,876 / 30,591
Ground pressure, ISO16754 ¹⁾	kg/cm ² / psi	–	–	0.38 / 5.40	0.39 / 5.55
F Track shoes 711 mm / 28"					
Operating weight ¹⁾	kg / lb	–	–	13,721 / 30,250	14,091 / 31,065
Ground pressure, ISO16754 ¹⁾	kg/cm ² / psi	–	–	0.33 / 4.69	0.34 / 4.69
F Track shoes 762 mm / 30"					
Operating weight ¹⁾	kg / lb	–	–	13,830 / 30,490	14,200 / 31,306
Ground pressure, ISO16754 ¹⁾	kg/cm ² / psi	–	–	0.31 / 4.41	0.32 / 4.55

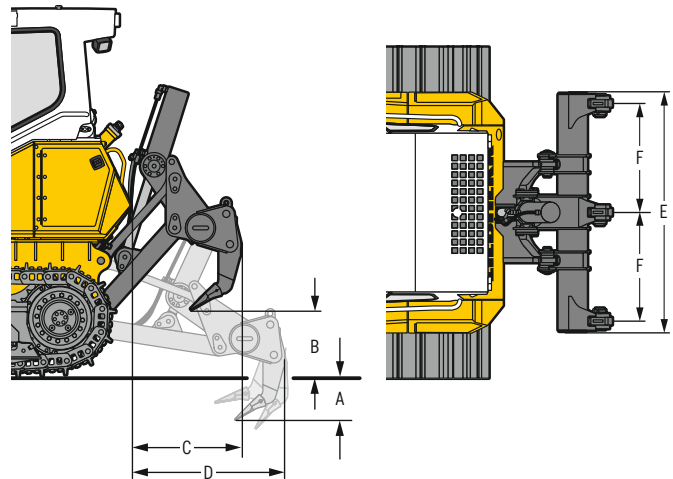
¹⁾ Including coolant and lubricants, 100% fuel, ROPS/FOPS cab, operator, 6-way blade.

Rear attachments PR 716



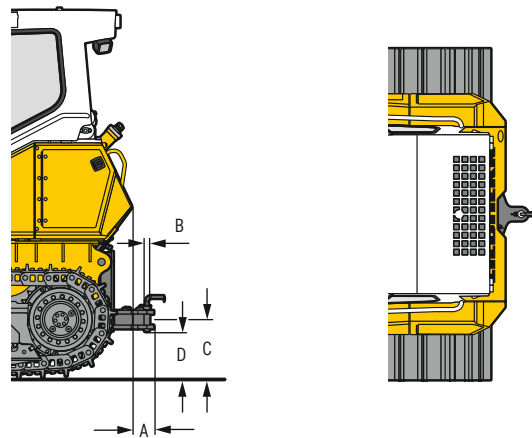
3-Shank ripper

A Ripping depth	mm	362
	ft in	1'2"
B Lifting height	mm	554
	ft in	1'10"
C Additional length, attachment raised	mm	886
	ft in	2'11"
D Additional length, attachment lowered	mm	1,147
	ft in	3'9"
E Overall beam width	mm	1,970
	ft in	6'6"
F Distance between shanks	mm	900
	ft in	2'11"
Weight	kg	993
	lb	2,189



Drawbar

A Additional length	mm	172	rigid
	ft in	6.77"	
B Socket pin diameter	mm	44.5	
	ft in	1.75"	
C Height of jaw	mm	480	
	ft in	1'7"	
D Ground clearance	mm	385	
	ft in	1'3"	
Jaw opening	mm	90	
	ft in	3.54"	
Weight	kg	157	
	lb	346	



Technical data PR 726



Engine

Liebherr Diesel engine	D 934 A7 Emission regulations according to 2016/1628 Stage V, EPA/CARB Tier 4 Final
Rated power (net)	
ISO 9249	125 kW / 170 HP
SAE J1349	125 kW / 168 HP
Maximum power (net)	
ISO 9249	140 kW / 190 HP
SAE J1349	140 kW / 188 HP
Rated speed	1,900 rpm
Displacement	7.0 l
Design	4 cylinder in-line engine, water-cooled, turbocharged, air-to-air intercooler
Injection system	Direct fuel injection, Common Rail, electronic control
Lubrication	Pressurised lube system, engine lubrication guaranteed for inclinations up to 45°, on all sides
Operating voltage	24 V
Alternator	140 A
Starter	7.8 kW / 11 HP
Batteries	2x180 Ah / 12 V
Air cleaner	Dry-type air cleaner with vacuum indicator and automatic dust filter system, main and safety elements
Cooling system	Combi radiator, comprising radiators for water, hydraulic fluid and charge air. Hydrostatic fan drive



Hydraulics

Hydraulic system	Load sensing (demand-controlled)
Pump type	Swash plate piston pump
Pump flow max.	140 l/min. / 37 gpm / 30.8 Imp.gmp
Pressure limitation	220 bar
Control valve	3 segments, expandable to 4
Filter system	Return filter with magnetic rod in the hydraulic tank
Control	Single joystick for all blade functions



Travel drive, control

Transmission system	Infinitely variable hydrostatic travel drive, independent drive for each track
Travel speed*	Continuously variable
Speed range 1:	0 - 6.5 km/h / 4.0 mph (forward & reverse)
Speed range 2:	0 - 8.5 km/h / 5.3 mph (forward & reverse)
Speed range 3:	0 - 11.0 km/h / 6.8 mph (forward & reverse)
	*Travel speed ranges can be set on the travel joystick (memory function)
Electronic control	The electronic system automatically adjusts travel speed and drawbar pull to match changing load conditions
Steering	Hydrostatic
Service brake	Hydrostatic (self-locking), wear-free
Parking brake	Multi-disk brake, wear-free, automatically applied with neutral joystick position
Cooling system	Hydraulic oil cooler integrated in combi radiator, hydrostatic fan drive
Filter system	Micro cartridge filters in replenishing circuit
Final drive	Combination spur gear with planetary gear, double-sealed (duo cone seals)
Control	Proportional single joystick for all travel and steering functions



Operator's cab

Cab	Resiliently mounted cab with positive pressure ventilation, can be tilted with hand pump 40° to the rear. With integrated ROPS Rollover Protective Structure (EN ISO 3471) and FOPS Falling Objects Protective Structure (EN ISO 3449)
Operator's seat	Air-suspended comfort seat, fully adjustable
Monitoring	Touch screen: display of current machine information, automatic monitoring of operating conditions. Individual setting of machine parameters
Vibration emission	
Hand / arm vibrations	< 2.5 m/s ² , according with ISO 5349-1:2001 or ISO 5349-2:2015-12
Whole-body vibrations	0.24 - 1.31 m/s ² , complies with technical report ISO/TR 25398:2006
Measuring inaccuracy	According with standard EN 12096:1997

Undercarriage

	XL	LGP
Design	Undercarriage with rigid bottom rollers	
Mounting	Via separate pivot shafts and equalizer bar	
Track chains	Lubricated, single-grouser shoes, tensioning via a steel spring and grease tensioner	
Links, each side	46	46
Track rollers, each side	8	8
Carrier rollers, each side	2	2
Sprocket segments, each side	6	6
Track shoes, standard	610 mm / 24"	812 mm / 32"
Track shoes, optional	560 mm / 22"	864 mm / 34"

Sound levels

Operator sound exposure ISO 6396	
L_{pA} (in the cab)	75 dB(A)
Exterior sound pressure 2000/14/EC	
L_{WA} (to the environment)	109 dB(A)

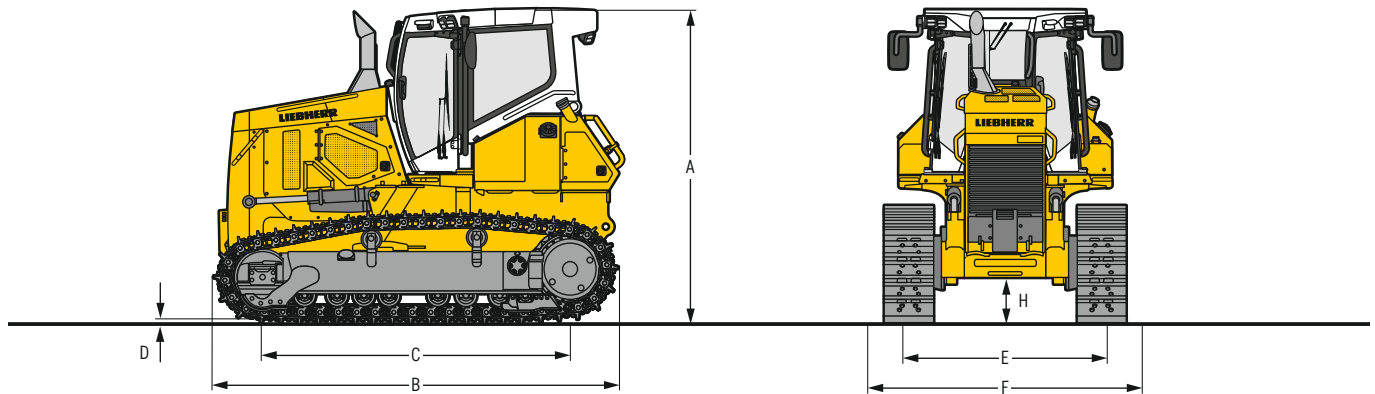
Refill capacities

Fuel tank	430l / 113.6 gal / 94.6 Imp.gal
Diesel Exhaust Fluid (DEF) tank	45l / 11.9 gal / 9.9 Imp.gal
Cooling system	40l / 10.6 gal / 8.8 Imp.gal
Engine oil, with filter	29l / 7.7 gal / 6.4 Imp.gal
Hydraulic tank	111l / 29.3 gal / 24.04 Imp.gal
Final drive XL, each side	16l / 4.2 gal / 3.5 Imp.gal
Final drive LGP, each side	22.5l / 5.9 gal / 4.9 Imp.gal

Drawbar pull

Max.	268 kN
at 1.5 km / h / 0.9 mph	236 kN
at 3.0 km / h / 1.9 mph	123 kN
at 6.0 km / h / 3.7 mph	62 kN
at 9.0 km / h / 5.6 mph	41 kN

Dimensions PR 726



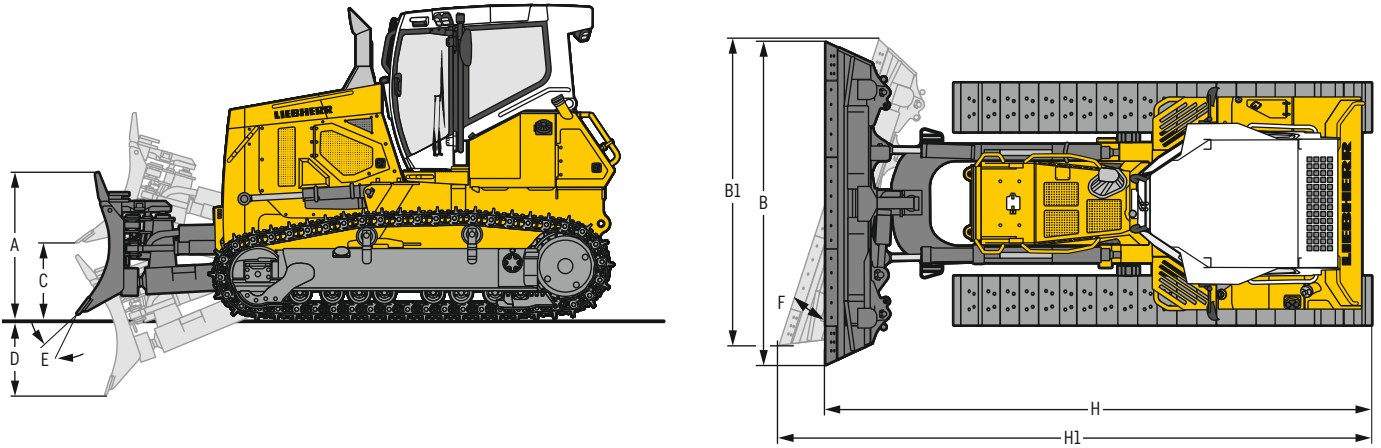
Dimensions

Undercarriage		XL	LGP
A Height over cab	mm	3,198 ²⁾	3,198 ²⁾
	ft in	10'6"	10'6"
B Overall length without attachments	mm	4,180	4,180
	ft in	13'9"	13'9"
C Length of track on ground	mm	3,168	3,168
	ft in	10'5"	10'5"
D Height of grousers	mm	56	56
	ft in	2.2"	2.2"
H Ground clearance	mm	429	429
	ft in	1'5"	1'5"
E Track gauge	mm	1,890	2,134
	ft in	6'2"	7'0"
F Track shoes 560 mm / 22"			
Width over tracks	mm / ft in	2,450 / 8'0"	
Tractor shipping weight ¹⁾	kg / lb	15,130 / 33,356	–
F Track shoes 610 mm / 24"			
Width over tracks	mm / ft in	2,500 / 8'2"	
Tractor shipping weight ¹⁾	kg / lb	15,270 / 33,665	–
F Track shoes 812 mm / 32"			
Width over tracks	mm / ft in		2,946 / 9'8"
Tractor shipping weight ¹⁾	kg / lb	–	16,042 / 35,367
F Track shoes 864 mm / 34"			
Width over tracks	mm / ft in		2,998 / 9'10"
Tractor shipping weight ¹⁾	kg / lb	–	16,323 / 35,986

¹⁾ Including coolant and lubricants, 20% fuel, ROPS / FOPS cab.

²⁾ Transport shipping height increases with optional equipment: Topcon 3D Grade +155 mm, preparation for Trimble & Leica +130 mm, amber beacon/beacon for back-up alarm +230 mm, dust filter overpressure system for cab +535 mm, protective cover for air conditioning condenser +170 mm, branch deflector (sweeps) +165 mm, other equipment on request.

Front attachments PR 726



6-Way blade with inside mounted push frame

		6-way blade	6-way blade with hinged corner	6-way blade	6-way blade with hinged corner
Undercarriage		XL	XL	LGP	LGP
Blade capacity, ISO 9246	m ³	3.33	3.33	3.87	3.87
	yd ³	4.36	4.36	4.36	4.36
A Height of blade	mm	1,200	1,200	1,140	1,140
	ft in	3'11"	3'11"	3'9"	3'9"
B Width of blade	mm	3,302	3,292	4,031	4,021
	ft in	10'10"	10'10"	13'3"	13'2"
B1 Width of blade, angled	mm	3,026	3,059	3,692	3,725
	ft in	9'11"	10'0"	12'1"	12'3"
Transport width	mm	2,999 ²⁾	2,498	3,660 ²⁾	2,990
	ft in	9'10"	8'2"	12'0"	9'10"
C Lifting height	mm	1,144	1,144	1,135	1,135
	ft in	3'9"	3'9"	3'9"	3'9"
D Digging depth	mm	541	541	536	536
	ft in	1'9"	1'9"	1'9"	1'9"
E Blade pitch adjustment		5°	5°	5°	5°
F Blade angle adjustment		24°	24°	24°	24°
Max. blade tilt	mm	433	432	530	529
	ft in	1'5"	1'5"	1'9"	1'9"
H Overall length, blade straight	mm	5,542	5,542	5,519	5,519
	ft in	18'2"	18'2"	18'1"	18'1"
H1 Overall length, blade angled	mm	6,161	6,159	6,287	6,285
	ft in	20'3"	20'2"	20'8"	20'7"
F Track shoes 560 mm / 22"					
Operating weight ¹⁾	kg / lb	17,518 / 38,621	17,795 / 39,231		
Ground pressure, ISO16754 ¹⁾	kg/cm ² / psi	0.44 / 5.26	0.45 / 6.40	–	–
F Track shoes 610 mm / 24"					
Operating weight ¹⁾	kg / lb	17,658 / 38,929	17,935 / 39,540		
Ground pressure, ISO16754 ¹⁾	kg/cm ² / psi	0.41 / 5.83	0.41 / 5.83	–	–
F Track shoes 812 mm / 32"					
Operating weight ¹⁾	kg / lb	–	–	18,583 / 41,588	18,908 / 41,685
Ground pressure, ISO16754 ¹⁾	kg/cm ² / psi	–	–	0.32 / 4.55	0.33 / 4.69
F Track shoes 864 mm / 34"					
Operating weight ¹⁾	kg / lb	–	–	18,864 / 41,588	19,189 / 42,304
Ground pressure, ISO16754 ¹⁾	kg/cm ² / psi	–	–	0.31 / 4.41	0.31 / 4.41

¹⁾ Including coolant and lubricants, 100% fuel, ROPS/FOPS cab, operator, 6-way blade.

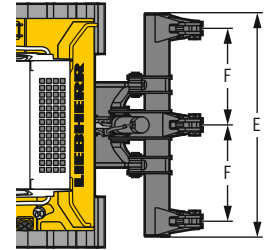
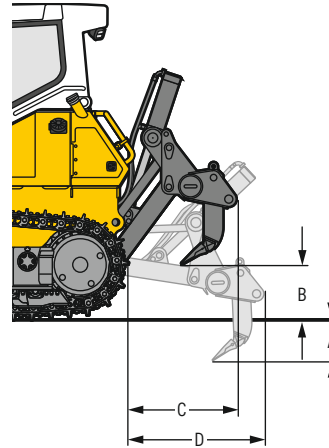
²⁾ Blade angled and max. tilted.

Rear attachments PR 726



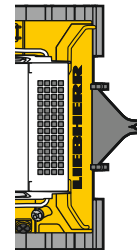
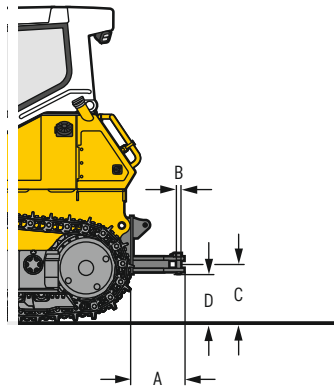
3-Shank ripper

A Ripping depth (max. / min.)	mm	501 / 351
	ft in	1'8" / 1'2"
B Lifting height (max. / min.)	mm	649 / 499
	ft in	2'2" / 1'8"
C Additional length, attachment raised	mm	1,083
	ft in	3'7"
D Additional length, attachment lowered	mm	1,439
	ft in	4'9"
E Overall beam width	mm	2,300
	ft in	7'7"
F Distance between shanks	mm	1,000
	ft in	3'3"
Max. pitch adjustment		-
Weight	kg	1,443
	lb	3,181



Drawbar

A Additional length	mm	474
	ft in	1'7"
B Socket pin diameter	mm	45
	ft in	1.77"
C Height of jaw	mm	529
	ft in	1'9"
D Ground clearance	mm	434
	ft in	1'5"
Jaw opening	mm	90
	ft in	4.36"
Weight	kg	232
	lb	511



Technical data PR 736



Engine

Liebherr Diesel engine	D 934 EVO Emission regulations according to 2016/1628 Stage V, EPA/CARB Tier 4 Final
Rated power (net) ISO 9249 SAE J1349	160 kW / 217 HP 160 kW / 214 HP
Maximum power (net) ISO 9249 SAE J1349	175 kW / 238 HP 175 kW / 235 HP
Rated speed	1,900 rpm
Displacement	7.01 / 427 in ³
Design	4 cylinder in-line engine, water-cooled, turbocharged, air-to-air intercooler
Injection system	Direct fuel injection, Common Rail, electronic control
Lubrication	Pressurised lube system, engine lubrication guaranteed for inclinations up to 45°, on all sides
Operating voltage	24 V
Alternator	140 A
Starter	7.8 kW / 11 HP
Batteries	2x180 Ah / 12 V
Air cleaner	Dry-type air cleaner with vacuum indicator and automatic dust filter system, main and safety elements
Cooling system	Combi radiator, comprising radiators for water, hydraulic fluid, charge air. Hydrostatic fan drive



Hydraulics

Hydraulic system	Load sensing (demand-controlled)
Pump type	Swash plate piston pump
Pump flow max.	190 l/min. / 50.2 gpm / 41.8 Imp.gpm
Pressure limitation	260 bar / 3,770 psi (6-way blade) 200 bar / 2,900 psi (Straight blade)
Control valve	2 segments, expandable to 4
Filter system	Return filter with magnetic rod in the hydraulic tank
Control	Single joystick for all blade functions



Travel drive, control

Transmission system	Infinitely variable hydrostatic travel drive, independent drive for each track
Travel speed *	Continuously variable
Speed range 1:	0 - 6.5 km/h / 4.0 mph (forward & reverse)
Speed range 2:	0 - 8.5 km/h / 5.3 mph (forward & reverse)
Speed range 3:	0 - 11.0 km/h / 6.8 mph (forward & reverse)
	*Travel speed ranges can be set on the travel joystick (memory function)
Electronic control	The electronic system automatically adjusts travel speed and drawbar pull to match changing load conditions
Steering	Hydrostatic
Service brake	Hydrostatic (self-locking), wear-free
Parking brake	Multi-disk brake, wear-free, automatically applied with neutral joystick position
Cooling system	Hydraulic oil cooler integrated in combi radiator, hydrostatic fan drive
Filter system	Micro cartridge filters in replenishing circuit
Final drive	Combination spur gear with planetary gear, double-sealed (duo cone seals) with temperature control
Control	Proportional joystick for all travel and steering functions. Optional: detented joystick, with inching pedal



Operator's cab

Cab	Resiliently mounted cab with positive pressure ventilation, can be tilted with hand pump 40° to the rear. With integrated ROPS Rollover Protective Structure (EN ISO 3471) and FOPS Falling Objects Protective Structure (EN ISO 3449)
Operator's seat	Air-suspended comfort seat, fully adjustable
Monitoring	Touch screen: display of current machine information, automatic monitoring of operating conditions. Individual setting of machine parameters
Vibration emission	
Hand / arm vibrations	< 2.5 m/s ² , according with ISO 5349-1:2001 or ISO 5349-2:2015-12
Whole-body vibrations	0.24 - 1.31 m/s ² , complies with technical report ISO/TR 25398:2006
Measuring inaccuracy	According with standard EN 12096:1997

Undercarriage

	XL	LGP
Design	Undercarriage with rigid bottom rollers	
Mounting	Via separate pivot shafts and equalizer bar	
Track chains	Lubricated, single-grouser shoes, tensioning via a steel spring and grease tensioner	
Links, each side	45	45
Track rollers, each side	7	7
Carrier rollers, each side	2	2
Sprocket segments, each side	6	6
Track shoes, standard	610 mm / 24"	711 mm / 28"
		812 mm / 32"
Track shoes, optional	560 mm / 22"	914 mm / 36"
		965 mm / 38"

Sound levels

Operator sound exposure ISO 6396	
L_{pA} (in the cab)	75 dB(A)
Exterior sound pressure 2000/14/EC	
L_{WA} (to the environment)	111 dB(A)

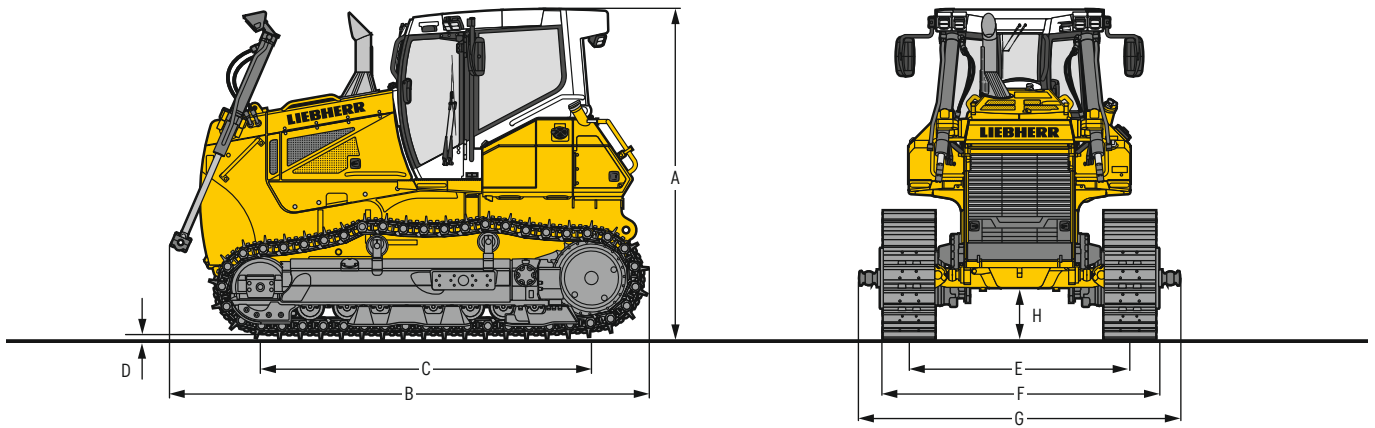
Refill capacities

Final drive XL (outside push frame), each side	15 l / 4 gal / 3.3 Imp.gal
Final drive XL (inside push frame), each side	22 l / 5.8 gal / 4.8 Imp.gal
Final drive LGP (outside push frame), each side	26.5 l / 7 gal / 5.8 Imp.gal
Final drive LGP (inside push frame), each side	30 l / 7.9 gal / 6.6 Imp.gal
Diesel Exhaust Fluid (DEF) tank	45 l / 11.9 gal / 9.9 Imp.gal
Hydraulic tank	111 l / 29.3 gal / 24.4 Imp.gal
Fuel tank	430 l / 113.5 gal / 94.6 Imp.gal
Cooling system	41 l / 10.8 gal / 9 Imp.gal
Engine oil, with filter	29 l / 7.7 gal / 6.4 Imp.gal

Drawbar pull

Max.	314 kN
at 1.5 km/h / 0.9 mph	277 kN
at 3.0 km/h / 1.9 mph	164 kN
at 6.0 km/h / 3.7 mph	82 kN
at 9.0 km/h / 5.6 mph	55 kN

Dimensions PR 736



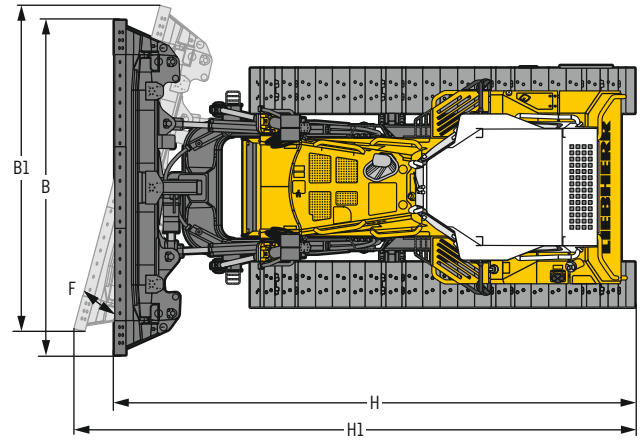
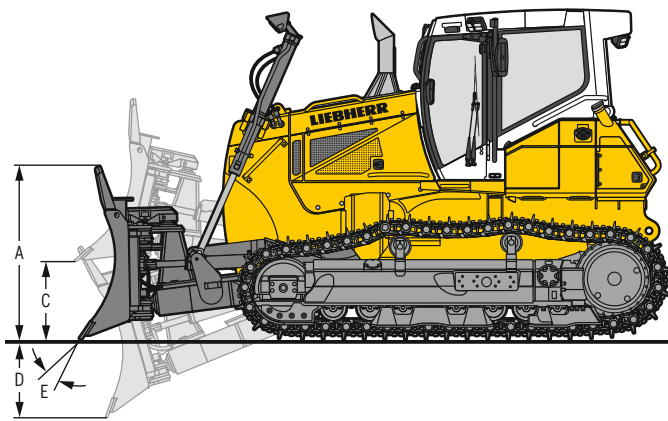
Dimensions

Push frame		inside	outside	inside	outside
Undercarriage		XL	XL	LGP	LGP
A Height over cab	mm	3,253 ²⁾		3,253 ²⁾	
	ft in	10'8"		10'8"	
B Overall length without attachments	mm	4,428		4,428	
	ft in	14'6"		14'6"	
C Length of track on ground	mm	3,283		3,283	
	ft in	10'9"		10'9"	
D Height of grousers	mm	65		65	
	ft in	2.5"		2.5"	
H Ground clearance	mm	511		511	
	ft in	1'8"		1'8"	
E Track gauge	mm	2,180	1,830	2,290 / 2,390	2,180
	ft in	7'2"	6'0"	7'6" / 7'10"	7'2"
G Width over trunnions	mm	–	2,724	–	3,474
	ft in	–	8'11"	–	11'5"
F Track shoes 560 mm / 22"					
Width over tracks	mm / ft in	2,740 / 9'	2,390 / 7'10"	–	–
Tractor shipping weight ¹⁾	kg / lb	18,321 / 40,391	18,396 / 40,556	–	–
F Track shoes 610 mm / 24"					
Width over tracks	mm / ft in	2,790 / 7'10"	2,440 / 8'0"	–	–
Tractor shipping weight ¹⁾	kg / lb	18,460 / 40,697	18,535 / 40,863	–	–
F Track shoes 711 mm / 28"					
Width over tracks	mm / ft in	–	–	3,000 / 9'10"	–
Tractor shipping weight ¹⁾	kg / lb	–	–	18,759 / 41,356	–
F Track shoes 812 mm / 32"					
Width over tracks	mm / ft in	–	–	3,202 / 10'6"	2,992 / 9'10"
Tractor shipping weight ¹⁾	kg / lb	–	–	19,038 / 41,972	19,281 / 42,507
F Track shoes 914 mm / 36"					
Width over tracks	mm / ft in	–	–	–	3,094 / 10'2"
Tractor shipping weight ¹⁾	kg / lb	–	–	–	19,577 / 43,160
F Track shoes 965 mm / 38"					
Width over tracks	mm / ft in	–	–	–	3,145 / 10'4"
Tractor shipping weight ¹⁾	kg / lb	–	–	–	19,729 / 43,495

¹⁾ Including coolant and lubricants, 20% fuel, ROPS / FOPS cab.

²⁾ Transport shipping height increases with optional equipment: Topcon 3D Grade +155 mm, preparation for Trimble & Leica +130 mm, amber beacon/beacon for back-up alarm +230 mm, dust filter overpressure system for cab +535 mm, protective cover for air conditioning condenser +170 mm, branch deflector (sweeps) +165 mm, other equipment on request.

Front attachments PR 736



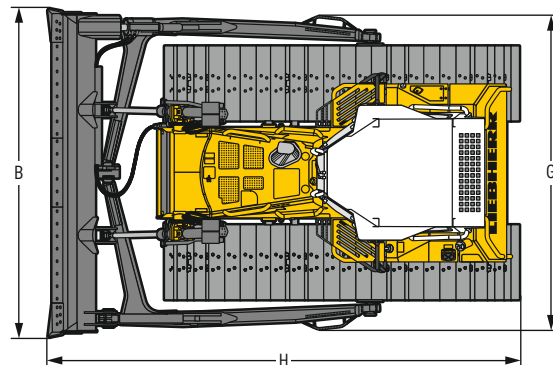
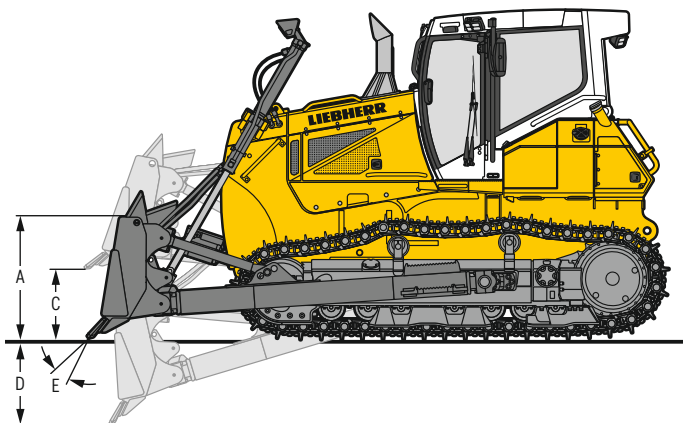
6-Way blade with inside mounted push frame

		6-way blade XL	6-way blade with hinged corner XL	6-way blade LGP	6-way blade with hinged corner LGP
Undercarriage					
Blade capacity, ISO 9246	m ³	4.78	4.78	4.84	4.84
	yd ³	6.25	6.25	6.33	6.33
A Height of blade	mm	1,350	1,350	1,250	1,250
	ft in	4'5"	4'5"	4'1"	4'1"
B Width of blade	mm	3,764	3,764	4,210	4,210
	ft in	12'4"	12'4"	13'10"	13'10"
B1 Width of blade, angled	mm	3,508	3,508	3,918	3,918
	ft in	11'6"	11'6"	12'10"	12'10"
Transport width	mm	3,469	2,990	3,876	3,000 ²⁾
	ft in	11'5"	9'10"	12'9"	9'10"
C Lifting height	mm	1,267	1,267	1,260	1,260
	ft in	4'2"	4'2"	4'1"	3'11"
D Digging depth	mm	665	665	661	661
	ft in	2'18"	2'18"	2'16"	2'16"
E Blade pitch adjustment		5°	5°	5°	5°
F Blade angle adjustment		23.3°	23.3°	23.3°	23.3°
Max. blade tilt	mm	479	479	536	536
	ft in	1'7"	1'7"	1'9"	1'9"
H Overall length, blade straight	mm	5,878	5,878	5,861	5,861
	ft in	19'3"	19'3"	19'3"	19'3"
H1 Overall length, blade angled	mm	6,567	6,567	6,640	6,640
	ft in	21'7"	21'7"	21'9"	21'9"
F Track shoes 560 mm / 22"					
Operating weight ¹⁾	kg / lb	21,604 / 47,629	22,026 / 48,559	—	—
Ground pressure, ISO16754 ¹⁾	kg/cm ² / psi	0.52 / 7.39	0.53 / 7.54	—	—
F Track shoes 610 mm / 24"					
Operating weight ¹⁾	kg / lb	21,743 / 47,935	22,165 / 48,865	—	—
Ground pressure, ISO16754 ¹⁾	kg/cm ² / psi	0.48 / 6.83	0.49 / 6.97	—	—
F Track shoes 711 mm / 28"					
Operating weight ¹⁾	kg / lb	—	—	22,267 / 49,090	24,772 / 54,613
Ground pressure, ISO16754 ¹⁾	kg/cm ² / psi	—	—	0.43 / 6.12	0.47 / 6.68
F Track shoes 812 mm / 32"					
Operating weight ¹⁾	kg / lb	—	—	22,546 / 49,705	23,040 / 50,794
Ground pressure, ISO16754 ¹⁾	kg/cm ² / psi	—	—	0.38 / 5.40	0.39 / 5.55

¹⁾ Including coolant and lubricants, 100% fuel, ROPS / FOPS cab, operator, 6-way blade.

²⁾ Transport width 3,000 mm with 711 mm (28") track pads. Transport width 3,202 mm with 812 mm (32") track pads.

Front attachments PR 736



Semi-U blade and straight blade

		Semi-U blade	Straight blade
Undercarriage		XL	LGP
Blade capacity, ISO 9246	m ³	5.56	4.10
	yd ³	7.27	5.36
A	Height of blade	mm	mm
		1,400	1,150
		ft in	ft in
		4'7"	3'9"
B	Width of blade	mm	mm
		3,372	3,995
		ft in	ft in
		11'1"	13'1"
C	Lifting height	mm	mm
		1,216	1,225
		ft in	ft in
		4'	4'
D	Digging depth	mm	mm
		511	516
		ft in	ft in
		1'67"	1'69"
E	Blade pitch adjustment	°	°
		10°	10°
	Max. blade tilt	mm	mm
		432	395
		ft in	ft in
		1'5"	1'4"
G	Width over push frame	mm	mm
		3,086	3,836
		ft in	ft in
		10'1"	12'7"
H	Overall length	mm	mm
		5,968	5,758
		ft in	ft in
		19'7"	18'11"
F	Track shoes 560 mm / 22"		
	Operating weight ¹⁾	kg / lb	kg / lb
		21,165 / 46,661	22,536 / 49,683
	Ground pressure, ISO16754 ¹⁾	kg/cm ² / psi	kg/cm ² / psi
		0.51 / 7.25	0.38 / 5.40
F	Track shoes 610 mm / 24"		
	Operating weight ¹⁾	kg / lb	kg / lb
		21,306 / 46,972	22,832 / 50,336
	Ground pressure, ISO16754 ¹⁾	kg/cm ² / psi	kg/cm ² / psi
		0.47 / 6.68	0.34 / 4.84
F	Track shoes 812 mm / 32"		
	Operating weight ¹⁾	kg / lb	kg / lb
		—	22,984 / 50,671
	Ground pressure, ISO16754 ¹⁾	kg/cm ² / psi	kg/cm ² / psi
		—	0.32 / 4.55
F	Track shoes 914 mm / 36"		
	Operating weight ¹⁾	kg / lb	kg / lb
		—	—
	Ground pressure, ISO16754 ¹⁾	kg/cm ² / psi	kg/cm ² / psi
		—	—
F	Track shoes 965 mm / 38"		
	Operating weight ¹⁾	kg / lb	kg / lb
		—	—
	Ground pressure, ISO16754 ¹⁾	kg/cm ² / psi	kg/cm ² / psi
		—	—

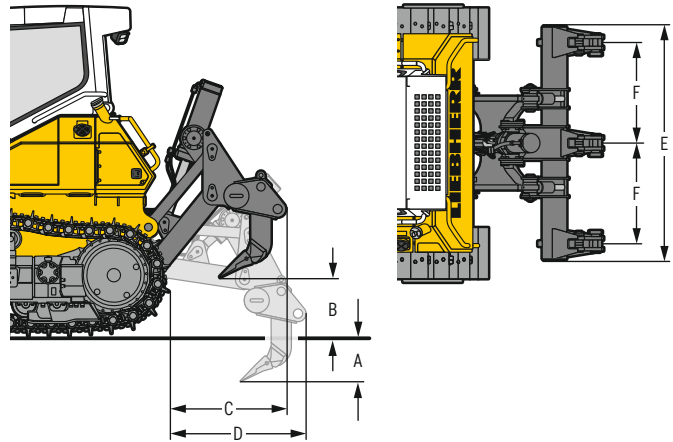
¹⁾ Including coolant and lubricants, 100% fuel, ROPS/FOPS cab, operator, semi-U or straight blade.

Rear attachments PR 736



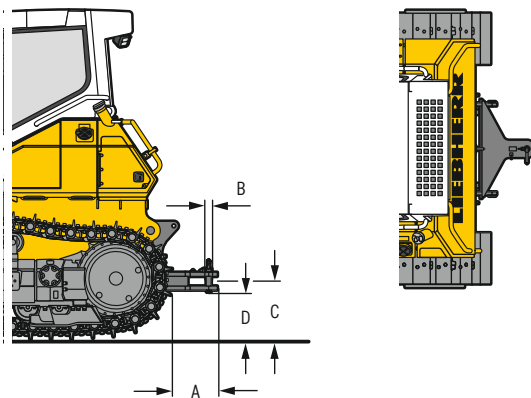
3-Shank ripper

A Ripping depth (max. / min.)	mm	449 / 299
	ft in	1'5" / 1'
B Lifting height (max. / min.)	mm	738 / 588
	ft in	2'4" / 1'9"
C Additional length, attachment raised	mm	1,138
	ft in	3'9"
D Additional length, attachment lowered	mm	1,469
	ft in	4'10"
E Overall beam width	mm	2,320
	ft in	7'7"
F Distance between shanks	mm	1,000
	ft in	3'3"
Max. pitch adjustment		-
Weight	kg	1,920
	lb	4,233



Drawbar

		rigid
A Additional length	mm	436
	ft in	1'5"
B Socket pin diameter	mm	50
	ft in	1.97"
C Height of jaw	mm	580
	ft in	1'9"
D Ground clearance	mm	492
	ft in	1'6"
Jaw opening	mm	95
	ft in	3.74"
Weight	kg	280
	lb	617



Equipment



Base machine

	PR 716	PR 726	PR 736
Additional handle on fuel tank	+	+	+
Air filter with automatic dust ejector	-	•	•
Air filter, dry type, dual step, with pre-filter	•	•	•
Air pre-cleaner Sy-Klone	-	+	+
Air pre-cleaner Top Air	-	+	+
Auto Idle	+	+	+
Automatic blade stabilization + inclination control	•	•	•
Automatic engine shut-off	+	+	+
Battery compartment, lockable	•	•	•
Coal arrangement	1)	1)	+
Cold environment arrangement	1)	1)	+
Cooling fan front, tilt-out	•	•	•
Cooling fan, hydraulically driven	•	•	•
Cooling fan, reversible	+	+	+
Diesel Exhaust Fluid (DEF) tank, lockable	•	•	•
Engine compartment doors, lockable	•	•	•
Engine compartment lighting	+	+	•
Forestry arrangement	1)	1)	+
Fuel pre-filter	•	•	•
Fuel pre-filter, with electric heater	+	•	+
Fuel water separator	•	+	•
Fuel water separator, with electric heater	-	-	+
Grade control ready kit	+	+	+
Landfill arrangement	-	-	+
Liebherr Connect – Data transmission system	•	•	•
Liebherr diesel engine emission stage V / Tier 4f	•	•	•
Liebherr hydraulic oil, biologically degradable	+	+	+
Radiator guard, hinged	•	•	•
Radiator, wide-meshed	•	•	•
Refuelling pump, electric	+	+	+
Roof mounted grading system	+	+	+
Spade with mounting bracket	+	+	+
Special paint scheme	+	+	+
Tool kit, basic	•	•	•
Tool kit, extended	+	+	+
Towing hitch rear	•	•	•
Towing lug front	-	-	•
Woodchip arrangement	-	-	+



Hydraulics system

	PR 716	PR 726	PR 736
Automatic lifting of the ripper into the parking position	•	•	•
Blade float function	•	•	•
Blade quick drop function	•	•	•
Blade shake feature	•	•	•
Electronic control of working hydraulics	•	•	•
Hydraulic kit for ripper	+	+	+
Hydraulic kit for winch	+	+	+
Oil filter in hydraulic tank	•	•	•
Variable flow pump, load-sensing	-	•	•



Travel drive

	PR 716	PR 726	PR 736
Emergency stop	•	•	•
Final drives planetary gear	•	•	•
Inching brake pedal	+	+	+
Load limit control, electronic	•	•	•
Machine-release switch	•	•	•
Parking brake, automatic	•	•	•
Seat contact switch	•	•	•
Travel control, 3 speed ranges	•	•	•
Travel drive joystick, detended	+	+	+
Travel drive joystick, proportional	•	•	•
Travel drive, hydrostatic	•	•	•



Operator's cab

	PR 716	PR 726	PR 736
Access and exit step lighting	•	•	•
Armrests 3D adjustable	•	•	•
Automatic climate control	•	-	•
Belt in orange colour	•	•	•
Belt monitoring with green light on the cab roof	+	+	+
Cab heating	•	•	•
Cab radio lock	-	-	+
Coat hook	•	•	•
Dust filter system pressurised	+	+	+
Extension of cab door footstep	-	+	+
Fire extinguisher in cab	+	+	+
Footrest on front console	+	+	+
Interior LED lighting	•	•	•
Joysticks, adjustable lengthwise	+	•	•
Mirror for rear ripper	+	+	+
Noise-absorbing cab mounts	•	•	•
Operator's seat Comfort, air-suspended	•	•	•
Operator's seat Premium, air-suspended	+	+	+
Personalized driver profiles	+	+	+
Pressurised cab	•	•	•
Protective grid for rear window	+	+	+
Radio	+	+	+
Radio preparation kit	+	+	+
Rear-view camera	+	+	+
Rear-view mirror, inside	•	•	•
Rear-view mirrors, external	+	+	+
ROPS / FOPS integrated	•	•	•
Safety glass	•	•	•
Sliding window left	+	+	+
Sliding window right	+	+	+
Socket 12 V + 24 V	•	•	•
Storage nets	+	+	+
Stowage compartment, air-conditioned	•	•	•
Sun visor, front	+	+	+
Tilttable cab	•	•	•
Touch-controlled colour display	•	•	•
Warm water heating	-	+	+
Windshield washer system	•	•	•
Windshield wipers front, rear, doors, with intermittent function	•	•	•

• = Standard

+ = Option

- = not available

1) on demand at your dealer

Equipment



Electrical system

	PR 716	PR 726	PR 736
1 additional working light on each lift cylinder	-	-	●
1 additional working light on each lift cylinder	-	-	+
2 additional working light on the cab, rear	+	+	+
2 batteries cold start	●	●	●
2 working lights on the cab, rear	●	●	●
4 working light on the cab, front	●	●	●
All working lights in LED version	+	+	+
Back-up alarm with broadband signal	+	+	+
Back-up alarm with broadband signal and visual	●	+	+
Back-up alarm, acoustic	+	+	●
Back-up alarm, acoustic and visual	+	+	+
Battery main switch	+	+	●
Battery main switch, lockable	●	●	+
Beacon	+	+	+
Horn	●	●	●
Immobiliser, electronic	+	+	+
On-board voltage 24 V	●	●	●



Undercarriage

	PR 716	PR 726	PR 736
Master link, two-piece	●	●	●
Sprocket segments with recesses	●	+	+
Sprocket segments, bolted	●	●	●
Track frame, closed	-	●	●
Track guard, full length	+	+	+
Track guide centre part	+	+	+
Track guide, front and rear	●	●	●
Track pads with mud holes ²⁾	+	+	+
Track shoes, heavy duty	-	-	1)
Track shoes, moderate service	●	●	●
Tracks, oil-lubricated	●	●	●
Undercarriage LGP	+	+	+
Undercarriage with rigid bottom rollers	●	●	●
Undercarriage with rotary bushings FTB ²⁾	+	+	+
Undercarriage XL	+	+	●



Attachments front

	PR 716	PR 726	PR 736
6-way blade	+	+	+
6-way blade with hinged corners	+	+	+
Blade pitch adjustment	+	-	-
Guards for hydraulic cylinders, 6-way blade	-	+	+
Mechanical angle blade	-	-	+
Semi-U blade	-	-	+
Side wings for 6-way blade, bolt-on	+	+	+
Side wings for straight blade, bolt-on	-	-	+
Spill plate	+	+	+
Straight blade	-	-	+
Trash rack	-	+	+
U blade	-	-	1)
Wear plates on push frame	-	-	+
Wear plates on semi-U blade	-	-	+



Attachments rear

	PR 716	PR 726	PR 736
Counterweight, rear (1,000 kg / 2,205 lb)	+	+	+
Drawbar rear, rigid	+	+	+
Mounting plate for third-party equipment	+	+	+
Ripper, 1 shank	-	-	+
Ripper, 3 shank	+	+	+
Ripper, 5 shank	+	+	-
Trailer hitch on rear ripper	+	+	-
Winch	+	+	+

● = Standard

+ = Option

- = not available

¹⁾ on demand at your dealer

²⁾ available track shoes on demand at your dealer

Options and/or special attachments, supplied by vendors other than Liebherr, are only to be installed with the knowledge and approval of Liebherr in order to retain warranty.

The Liebherr Group



Global and independent: more than 75 years of success

Liebherr was founded in 1949. With the development of the world's first mobile tower crane, Hans Liebherr laid the foundations of a successful family-run company which today comprises more than 150 companies on all continents with over 50,000 employees. The holding company of the Group is Liebherr-International AG in Bulle (Switzerland), whose shareholders are exclusively members of the Liebherr family.

Technology leadership and pioneering spirit

Liebherr regards itself as a pioneer. This spirit has enabled the company to make a decisive contribution to the technological history of many industries. Today, employees around the world still share the courage of the company founder to take new paths. They are all united by a passion for technology and fascinating products and the determination to perform outstanding work for their customers.

Widely diversified product program

Not only is Liebherr one of the biggest construction machine manufacturers in the world, it also provides high-quality, user-oriented products and services in a wide range of other areas. The product range includes the segments earthmoving, material handling, deep foundation, mining, mobile and crawler cranes, tower cranes, concrete technology, maritime cranes, aerospace and transportation systems, gear technology and automation systems, refrigerators and freezers, components and hotels.

Customized solutions and maximum customer value

Liebherr solutions are characterized by maximum precision, outstanding implementation and exceptional longevity. Its mastery of key technologies enables the company to offer its customers customized solutions. For Liebherr, customer focus does not end with the product; it also encompasses a wide range of services that make a real difference.

www.liebherr.us

WARNING

Breathing diesel engine exhaust exposes you to chemicals known to the State of California to cause cancer and birth defects or other reproductive harm.

- Always start and operate the engine in a well-ventilated area.
- If in an enclosed area, vent the exhaust to the outside.
- Do not modify or tamper with exhaust system.
- Do not idle the engine except as necessary.

For more information go to www.P65warnings.ca.gov/diesel.

WARNING

This product can expose you to chemicals including lead and lead compounds, which are known to the State of California to cause cancer and birth defects or other reproductive harm.

For more information go to www.P65warnings.ca.gov.

Liebherr-Werk Telfs GmbH

Hans-Liebherr-Straße 35 • 6410 Telfs, Austria • Phone +43 50809 6-100

lwt.marketing@liebherr.com • www.liebherr.com • www.facebook.com/LiebherrConstruction