

Operating and installation instructions



[home.liebherr.com/
fridge-manuals](https://home.liebherr.com/fridge-manuals)

LIEBHERR

EN

ORIGINAL OPERATOR'S MANUAL

LIEBHERR

Contents



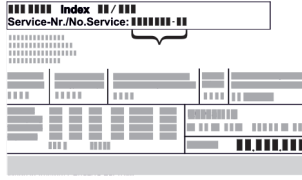

1	Safety information and warnings.....	3
1.1	Intended use.....	3
1.2	Climate classes.....	3
1.3	User group.....	4
1.4	Installation and commissioning.....	4
1.5	Safe handling of the appliance.....	4
1.6	Cleaning.....	4
1.7	Faults, damage and repairs.....	4
1.8	Disposal.....	4
1.9	Conformity.....	5
1.10	SVHC substances in accordance with the REACH Regulation.....	5
1.11	EPREL database.....	5
1.12	Open source licences.....	5
1.13	Spare parts.....	5
1.14	Symbols on the appliance.....	5
1.15	Warning levels.....	5
2	Appliance at a glance.....	5
2.1	Scope of delivery.....	5
2.2	Overview of appliances and equipment.....	6
	AutoDoor.....	6
2.4	SmartDevice.....	6
3	Setting up and connecting.....	6
3.1	Installation requirements.....	6
3.2	Appliance dimensions.....	7
3.3	Recess dimensions.....	8
3.4	Custom panel weights.....	8
3.5	Water connection*.....	8
3.6	Transporting the appliance.....	9
3.7	Unpacking the appliance.....	9
3.8	Explanation of symbols used.....	9
3.9	Door hinge change.....	10
3.10	Connecting the appliance to the water supply*.....	10
3.11	Setting up the appliance.....	11
3.12	Installing multiple appliances.....	11
3.13	Disposing of packaging.....	12
3.14	Installing the appliance in the recess.....	12
3.15	Dimensions.....	21
3.16	Mounting the cabinet front(s).....	22
3.17	Setting the clearance to avoid collision.....	22
3.18	Connecting the appliance to the power supply.....	23
4	Functionality of the Touch & Swipe display.....	23
4.1	Navigation and symbol explanation.....	23
4.2	Menus.....	24
4.3	Sleep mode.....	24
5	Putting into operation.....	24
5.1	Switching on appliance (first use).....	24
5.2	Putting InfinitySpring into operation*.....	25
5.3	Starting the HydroBreeze for the first time.....	25
6	Storage.....	25
6.1	Information regarding storage.....	25
6.2	Fridge compartment.....	25
6.3	BioFresh.....	25
6.4	****-freezer compartment*.....	26
6.5	Storage times.....	26
7	Saving energy.....	27
8	Controls.....	27
8.1	Controls and displays.....	27
8.1.1	Status display.....	27
8.1.2	Display symbols.....	27
8.2	Appliance functions.....	27
8.2.1	Notes on the appliance functions.....	27
	Switching the appliance off and on.....	28






Temperature.....	28
BioFresh B-Value	28
C-Value*.....	29
D-Value.....	29
AutoDoor	29
SuperCool.....	32
PartyMode	32
HolidayMode.....	32
SabbathMode.....	33
EnergySaver	34
HydroBreeze.....	34
CleaningMode.....	35
Input lock.....	35
Reminder.....	35
Language.....	36
Temperature unit.....	36
Display brightness.....	36
AutoDoor tone.....	37
WiFi.....	37
Device information.....	38
Software.....	38
Door alarm.....	38
Demo mode.....	39
Resetting to factory settings.....	39
8.3 Messages.....	40
8.3.1 Overview of warnings.....	40
8.3.2 Ending warnings.....	40
8.3.3 Overview of reminders.....	41
8.3.4 Ending reminders.....	42
9 Features.....	42
9.1 4-star freezer compartment*.....	42
9.2 Door rack.....	43
9.3 Shelves.....	44
9.4 Dividing shelf.....	44
9.5 VarioSafe	45
9.6 InfinitySpring*.....	47

9.7	Adjustable bottle shelf.....	47
9.8	Drawers.....	48
9.9	Compartment lid for Fruit & Vegetable Safe.....	48
9.10	HydroBreeze.....	49
9.11	Butter dish.....	50
9.12	Egg rack.....	50
9.13	Bottle holder.....	51
9.14	FlexSystem.....	51
9.15	Ice cube tray with cover*.....	52
10	Maintenance.....	52
10.1	FreshAir carbon filter.....	52
10.2	Water tank*.....	52
10.3	Water filter*.....	53
10.4	Dismantling the door rack.....	53
10.5	Assembling the door rack.....	54
10.6	Disassembling / assembling pull-out systems.....	54
10.7	Removing / inserting the variable bottle rack.....	54
10.8	Compartment lid for Fruit & Vegetable Safe.....	55
10.9	Defrosting the appliance.....	55
10.10	Defrosting the freezer compartment manually*.....	55
10.11	Cleaning the appliance.....	56
11	Customer help.....	57
11.1	Technical specifications.....	57
11.2	Operating noises.....	57
11.3	Technical fault.....	57
11.4	Customer Service.....	59
11.5	Model plate.....	60
12	Shutting down.....	60
13	Disposal.....	60
13.1	Preparing the appliance for disposal.....	60
13.2	Disposing of the appliance in an environmentally friendly manner.....	60

The manufacturer is continually working on the further development of all types and models. Please be aware that we reserve the right to make changes to the shape, equipment and technology.

Symbol	Explanation
	<p>Read instructions</p> <p>Please read the information in these instructions carefully to understand all of the benefits of your new appliance.</p>
	<p>Additional information on the Internet</p> <p>The digital manual with additional information and in other languages can be found via the QR code on the front of the manual or by entering the service number at home.liebherr.com/fridge-manuals.</p> <p>The service number can be found on the serial tag:</p>  <p style="text-align: center;"><i>Fig. Example illustration</i></p>
	<p>Check appliance</p> <p>Check all parts for transport damage. If you have any complaints, please contact your agent or customer service.</p>

Symbol	Explanation
	<p>Differences</p> <p>These instructions apply to a range of models, so differences are possible. Sections that apply to certain models only are marked with an asterisk (*).</p>
	<p>Instructions and results</p> <p>Instructions are marked with a ▶.</p> <p>Results are marked with a ▷.</p>
	<p>Videos</p> <p>Videos about the appliances are available on the YouTube channels of Liebherr-Hausgeräte.</p>

Open source licences:

The appliance contains software components that use open source licences. Information on the open source licences used can be found here: home.liebherr.com/open-source-licences

This user information applies to the following appliances:

IRBA..	51..
--------	------

1 Safety information and warnings

Keep this user information in a safe place so that you can refer to it at any time.

If you pass on the appliance, pass this user information on to subsequent owners.

To use the appliance properly and safely, read this user information carefully before installation and use. Always follow the instructions, safety instructions and warnings contained therein. They are important so that you can install and operate the appliance safely and properly.

1.1 Intended use

- This appliance is intended for household use and similar applications such as:
 - in staff kitchen areas in shops, offices and other work areas
 - in agricultural environments and by guests in hotels, motels and other accommodation
 - in bed and breakfasts
 - in catering and similar wholesale operations
- Further uses:
 - This appliance is not suitable for freezing food.*
 - All other types of application are impermissible.

1.2 Climate classes

Depending on its climate class, the appliance is designed for operation within certain ambient temperature limits. The climate class for your appliance is printed on the type plate.

Note

▶ In order to guarantee fault-free operation comply with the specified ambient temperatures.

Climate class	for ambient temperatures from
SN	10 °C to 32 °C
N	16 °C to 32 °C
ST	16 °C to 38 °C

Safety information and warnings

Climate class	for ambient temperatures from
T	16 °C to 43 °C
SN-ST	10 °C to 38 °C
SN-T	10 °C to 43 °C

1.3 User group

- This appliance can be used by children aged from 8 years and above and persons with reduced physical, sensory or mental capabilities or lack of experience and knowledge if they have been given supervision or instruction concerning use of the appliance in a safe way and understand the hazards involved.
- Children must not play with the appliance.
- Children must not carry out cleaning and user maintenance without supervision.
- Children aged from 3 to 8 years are allowed to load and unload refrigerating appliances.

1.4 Installation and commissioning

- Only install and connect the appliance in accordance with the instructions in the user information.
- Install the appliance according to the instructions in the user information to prevent the appliance from tipping over.
- Do not close the ventilation openings in the appliance housing or in the installation housing.
- Do not damage the mains cable. The appliance must not be operated with a defective mains cable.
- Do not place portable multiple sockets or power supply units at the rear of the appliance.
- It must be easy to access the socket so that the appliance can be quickly disconnected from the power supply in case of an emergency. It must not be behind the appliance.

Appliances with fixed water connection:*

- Only connect the fixed water connection to the drinking water supply to avoid poisoning from contaminated water.
- Only connect the appliance to the drinking water supply using the new hose set supplied with the appliance. Do not reuse old hose sets, dispose of them instead.

1.5 Safe handling of the appliance

- Do not store any explosive substances, such as aerosol containers with flammable propellant gas, in the appliance. These types of aerosol can be identified by the list of contents printed on it, or by a flame symbol. Any leaking gas may ignite due to electrical parts.
- Keep burning candles, lamps and other objects with naked flames away from the appliance, so that these do not set fire to the appliance.
- Alcoholic beverages and other containers bearing alcohol must be sealed tight for storage. Any leaking alcohol may ignite due to electrical parts.
- Avoid prolonged skin contact with cold surfaces or with cold/frozen food. Use gloves for protection, for example.
- The refrigerant contained (information on the type plate) is environmentally friendly but flammable. Leaking refrigerant may ignite.
 - Do not damage the refrigeration circuit.
 - Do not use any ignition sources inside the appliance.

- Do not use electrical appliances inside the appliance (e.g. steam cleaners, heaters).
- If the refrigerant leaks: remove any naked flames or ignition sources from the vicinity of the leakage point. Properly air the room. Inform customer service.
- Only open the door for a short time. This prevents the temperature inside the appliance from rising.
- Do not reach between the door and the appliance when opening and closing. Fingers may become trapped.
- The temperature in the warmest part of the appliance may be higher than the set temperature.

Appliances with water tank:

- Only fill the HydroBreeze water tank with drinking water to avoid poisoning from contaminated water.

Note for appliances with AutoDoor to avoid injury and damage:

- While the door is closing automatically, keep the door area clear and do not reach in.
- Do not open, close or block the door by hand against the automatic door movement in order to avoid damaging the drive unit.
- If the door closes automatically, extended drawers and telescopic rails may be damaged.
 - Push the drawers in fully before the door closes automatically.
 - If drawer has been removed: Push the telescopic rails in fully before the door closes automatically.

1.6 Cleaning

- Regularly clean surfaces that come into contact with food.
- Clean the defrost water drain regularly.
- Do not use an electric heater or steam cleaner, naked flames or defrost spray to speed up the defrosting process.
- Do not remove the ice with sharp objects.

1.7 Faults, damage and repairs

- If the mains connection cable of the appliance is damaged, replace the mains connection cable.
- Repairs and interventions on the appliance may only be carried out by the customer service or by other qualified personnel trained for this purpose.
- In the event of malfunctions and appliance faults, pull out the mains plug or switch off the fuse. Always hold the plug when pulling out the mains plug. Never tug on the cable.

1.8 Disposal

- The appliance contains valuable materials and is marked with the appropriate symbol. (see 1.14 Symbols on the appliance)
 - Do not dispose of the appliance in the household waste.
 - Dispose of the appliance free of charge at your local recycling centre using the Class 1 collection containers.
 - When purchasing a new appliance, return the old appliance to the retailer free of charge.
 - Provide information about return options.
- Your appliance may contain personal data.
 - Delete personal data before disposal.
- The appliance contains refrigerant (information on the type plate) and oil. The refrigerant inside the appliance is environmentally friendly, but flammable. The oil it contains is also flammable. Escaping refrigerant and oil

can ignite in high concentrations and in contact with an external heat source.

- Do not damage the refrigeration circuit.
- Only dispose of the appliance in accordance with the instructions in the user information.

1.9 Conformity

The coolant circuit has been tested for leak-tightness. When installed, the appliance complies with the relevant safety regulations and directives.

For the EU market: The appliance complies with Directive 2014/53/EU.

For GB market: The appliance complies with the Radio Equipment Regulations 2017 SI 2017 No. 1206.

The full text of the EU Declaration of Conformity is available at the following web address: www.liebherr.com

The BioFresh compartment fulfils the requirements of a chiller compartment in accordance with DIN EN 62552:2020.

1.10 SVHC substances in accordance with the REACH Regulation

- You can use the following link to check whether your appliance contains SVHC substances in accordance with the REACH Regulation:
<https://go.liebherr.com/z3eewm>

1.11 EPREL database

- From 1 March 2021, the information on energy labelling and eco-design requirements will be available in the European product database (EPREL). The product database can be accessed via the following link <https://eprel.ec.europa.eu/>. Here, you are asked to enter the model identifier. You will find the model identifier on the type plate.



1.12 Open source licences

- The appliance contains software components that use open source licences. Information on the open source licences used can be found here:
home.liebherr.com/open-source-licences

1.13 Spare parts

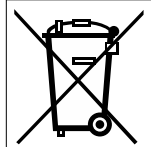
- The spare parts availability for functional parts and stockable parts of the equipment is 15 years.

1.14 Symbols on the appliance

	This symbol may be found on the compressor. It pertains to the oil in the compressor and indicates the following danger: Can be fatal if swallowed or with penetration of the respiratory tract. This information is only significant for recycling. No risk exists with normal use. Do not remove this symbol.
	Warning: Fire hazard due to flammable substances. This symbol is located on the compressor and can also be found in other places on the appliance. This symbol warns of flammable substances. Do not remove this symbol.






This or a similar symbol may be on the rear of the appliance. It indicates that there are vacuum insulation panels (VIP) or perlite panels in the door and/or housing. This information is only significant for recycling. Do not remove this symbol.



This symbol is located on the type plate. It indicates that the appliance contains valuable materials and that you must not dispose of it with household waste. (see 1.8 Disposal)

1.15 Warning levels

 DANGER	Identifies an immediately dangerous situation that will result in death or serious bodily injuries if it is not prevented.
 WARNING	Identifies a dangerous situation that could result in death or serious bodily injury if it is not prevented.
 CAUTION	Identifies an immediately dangerous situation that could result in slight or moderate injuries if it is not prevented.
ATTENTION	Identifies a hazardous situation that could result in property damage if it is not prevented.
Note	Identifies useful information and tips.

2 Appliance at a glance

2.1 Scope of delivery

Check all parts for transport damage. Contact your dealer or customer service in the event of complaints. (see 11.4 Customer Service)

Your new appliance comes with the following parts:

- Built-in appliance
- Features (depending on the model)
- Installation materials (depending on the model)
- "Quick Start Guide"
- "Installation Guide"*
- Service Brochure

Setting up and connecting

2.2 Overview of appliances and equipment

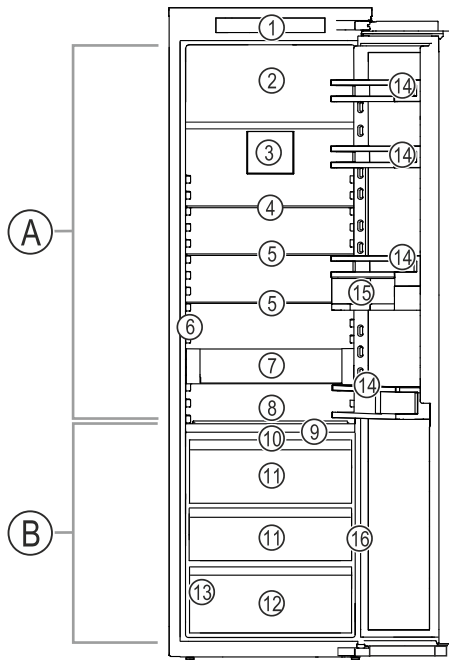


Fig. 1 Example illustration



Temperature range	
(A) Fridge compartment	(B) BioFresh
Equipment	
(1) Controls	(9) HydroBreeze
(2) 4-star freezer compartment*	(10) Lid for Fruit & Vegetable safe
(3) Fan with FreshAir activated charcoal filter	(11) Fruit & Vegetable safe
(4) Divisible storage shelf	(12) Meat & Dairy safe
(5) Storage shelf	(13) Type plate
(6) InfinitySpring*	(14) Door shelf
(7) VarioSafe	(15) VarioBoxes
(8) Variable bottle shelf	(16) Knock sensor

AutoDoor

Your appliance is equipped with AutoDoor.

You can open the door in various ways:

- by hand
- by knocking
- by smartphone
- by voice command

	<p>Knocking</p> <p>You can open and close the door by knocking on it with your hand. You can configure the knocking signal using the display and controls. You can change the sensitivity to knocking at any time.</p>
	<p>Smartphone</p> <p>You can open and close the door by smartphone. To do this you must install the SmartDevice app on your smartphone and connect your appliance to the WiFi. You make all the settings in the SmartDevice app.</p>



Voice command

You can open and close the door by voice command. To do this you must install the SmartDevice app on your smartphone, connect your appliance to the WiFi and use a suitable voice assistant. You make all the settings in the SmartDevice app.



You can find detailed information and tutorials at:
home.liebherr.com/faq-autodoor

2.4 SmartDevice

SmartDevice is the networking solution for your refrigerator. If your appliance SmartDevice-enabled or compatible, you can quickly and easily connect your appliance to your WiFi. With the SmartDevice app, you can operate your appliance from a mobile device. Additional functions and setting options are available in the SmartDevice SmartDevice app.

SmartDevice-enabled appliance: Your appliance is capable of being a SmartDevice. To be able to connect your device to WiFi, you need to download the SmartDevice app.

More information about SmartDevice:

smartdevice.liebherr.com

Downloading the SmartDevice app:



After installing and configuring the SmartDevice app, you can connect your appliance to your Wi-Fi (see WiFi) using the SmartDevice app and the appliance's Wi-Fi function.

Note

The SmartDevice function is not available in the following countries: Russia, Belarus, Kazakhstan.

3 Setting up and connecting

3.1 Installation requirements

The installation conditions are crucial to ensure that you can operate your appliance safely, efficiently and without problems.

- Observe all safety instructions.
- Consider the location and position in the room.



WARNING

Danger of fire due to incorrect positioning!
If the mains cable or plug touches the back of the appliance, the vibration can damage the mains cable or the plug resulting in a short circuit.

- ▶ Make sure the mains cable is not trapped under the appliance when you position the appliance.
- ▶ Stand the appliance so that it is not touched by connectors or main cables.
- ▶ Do not connect any appliances to sockets in the area of the back of the appliance.
- ▶ Do **not** place and operate multi-sockets/power distributors and other electronic devices (such as halogen transformers) at the back of the appliances.



WARNING

Fire hazard due to dampness!
If live parts or the mains lead become damp this may cause short circuits.

- ▶ The appliance is designed for use in enclosed areas. Do not operate the appliance outdoors or in areas where it is exposed to splash water or damp conditions.



WARNING

Leaking coolant and oil!
Fire. The coolant contained in the appliance is eco-friendly, but also flammable. The oil contained in the appliance is flammable. Escaping coolant and oil can ignite if the concentration is high enough and in contact with an external heat source.

- ▶ Do not damage the pipelines of the coolant circuit and the compressor.

3.2 Appliance dimensions

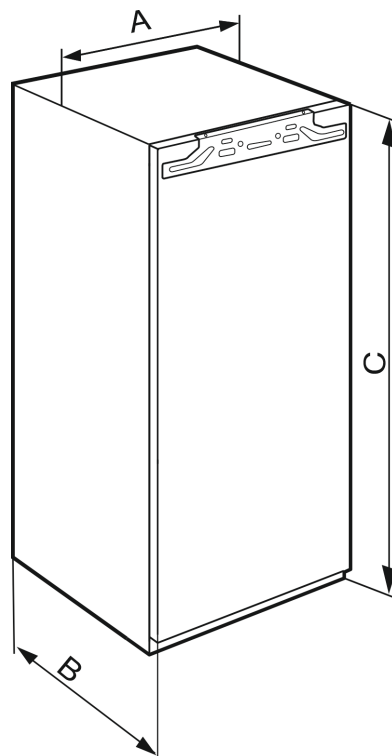


Fig. 2

IRBA.. 41..	
A (mm)	559
B (mm)	546
C (mm)	1213

IRBA.. 51.. / SIFNA.. 51..	
A (mm)	559
B (mm)	546
C (mm)	1770

3.1.1 Installation site

- Only set up and use the appliance in enclosed spaces.
- Only operate the appliance when it is installed.
- If the appliance is installed in a very damp environment, condensation may form on the appliance exterior. Always make sure there is good ventilation and aeration at the installation site.
- The more refrigerant there is in the appliance, the larger the room must be in which it is located. In rooms that are too small, a leak can produce a flammable gas/air mixture. For every 8 g of refrigerant, the installation room must be at least 1 m³ in size. Information on the refrigerant contained is given on the type plate inside the appliance.
- The floor on which the appliance stands must be horizontal and level.

3.1.2 Position in space

- Do not install the appliance in direct sunlight or near radiators or similar sources of heat.
- You can install the appliance directly next to an oven.
- If the appliance is installed directly next to an oven, the energy consumption may increase slightly. This is dependent on the service life and usage intensity of the oven.
- Only fit the appliance into solid units.
- Use in hazardous areas is not permitted.

Setting up and connecting

3.3 Recess dimensions

3.3.1 Internal dimensions

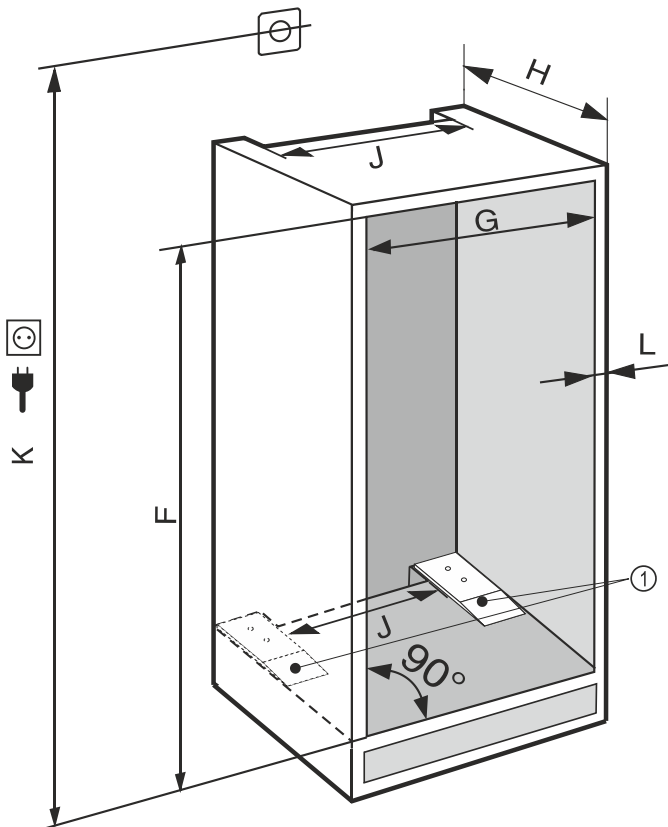


Fig. 3
(K) max. 2100 mm (1) Spacer plate installation is relevant for functions.

Observe the following information for appliances with a fixed water connection:*

- Water connection (see 3.5 Water connection*)
- Connecting the appliance to the water supply (see 3.10 Connecting the appliance to the water supply*)

IRBA.. 41..	
F (mm)	1220 to 1236
G (mm)	560 to 570
H (mm)	min. 555, recommended 560
J (mm)	min. 500
L (mm)	max. 19

IRBA.. 51.. / SIFNA.. 51..	
F (mm)	1777 to 1793
G (mm)	560 to 570
H (mm)	min. 555, recommended 560
J (mm)	min. 500
L (mm)	max. 19

The specified energy consumption was determined with a kitchen unit depth of 560 mm . The device will work properly at a kitchen unit depth of 550 mm , but with a slightly higher energy consumption.

- ▶ Check the wall thickness of adjacent cabinets: They must have a minimum of 16 mm .
- ▶ Only fit the appliance into stable, solid kitchen units. Secure the unit against tipping.

- ▶ Align the cabinets with a spirit level and a try square. If necessary, level them by putting something underneath them.
- ▶ Make sure floor and the side panels of the cabinet are at right angles to each other.

3.3.1 Ventilation requirements

NOTICE

Covered vents!

Damage. Appliance can overheat, which can reduce the service life of various parts of the appliance and lead to operational impairments.

- ▶ Always make sure there is good ventilation.
- ▶ Always keep vents or ventilation grids in the appliance housing and in the kitchen furniture (fully integrated appliance) unobstructed.
- ▶ Always keep the fan air vents unobstructed.

Always follow the required ventilation gaps:

- The depth of the ventilation shaft at the back of the cabinet must be at least 38 mm.
- At least 200 cm² is required for the ventilation gap cross sections in the plinth and the housing cabinet.
- As a rule, the larger the ventilation cross-section, the more efficiently the appliance will run.

Sufficient ventilation is required for the operation of the appliance. The ventilation grids provided ensure an effective ventilation cross-section on the appliance of 200 cm². If you replace the ventilation grids with a cover plate the ventilation cross-section must be as least as large as the ventilation grid provided by the manufacturer.

3.4 Custom panel weights

NOTICE

An excessively heavy custom panel can potentially cause damage!

If the custom panel is too heavy, damage to the hinges cannot be ruled out, which may compromise the functionality of the unit.

- ▶ Before fitting the custom panel, ensure the custom panel does not exceed the permissible weight.

Recess height (mm)	Appliance type	Maximum weight of custom panel (kg)
1220	IRBA.. 41..	19
1780	IRBA.. 51.. SIFNA.. 51..	26

Single-door fridges and freezers

3.5 Water connection*

If your appliance has a fixed water connection, a hose is supplied with it.

Note

You can purchase a hose of a different length as an accessory.

Overview of dimensions for the water connection:	(see 3.5 Water connection*)
Requirements for the water pressure:	(see 3.5 Water connection*)
Make the water connection:	(see 3.10 Connecting the appliance to the water supply*)

3.5.1 Dimensions for the water connection

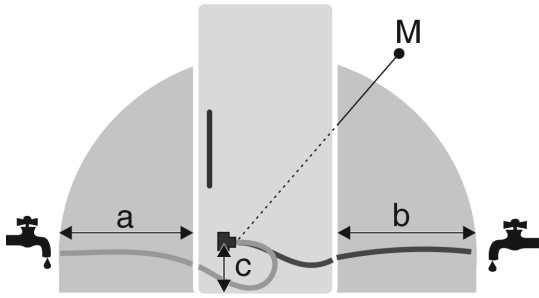


Fig. 4

- (a) Maximum available hose length
 (b) Maximum available hose length
 (c) Distance of solenoid valve to floor
 (M) Solenoid valve

a	b	c
~ 1200 mm	~ 1200 mm	~ 55 mm

3.5.2 Water pressure

The water connection line and solenoid valve of the appliance are suitable for a water pressure of up to 1 MPa (10 bar).

To ensure that the appliance functions correctly (flow rate, ice cube size, noise level), maintain the following water pressure:

Water pressure:	
bar	MPa
1.5 to 6.2	0.15 to 0.62

Water pressure when using the water filter:*	
bar*	MPa*
2.8 to 6.2	0.28 to 0.62

If the pressure is higher than 6.2 bar:

- ▶ Fit a pressure reducer.
- ▶ Make the water connection. (see 3.10 Connecting the appliance to the water supply*)

3.6 Transporting the appliance

3.6.1 Transporting the appliance for initial use

Ensure that the following requirements are met:

- The appliance is packaged.
- The appliance is upright.
- ▶ Transport the appliance with the help of two people.
- ▶ Unpacking the appliance. (see 3.7 Unpacking the appliance)

3.6.2 Transporting the appliance after initial use

Observe the following instructions if you wish to transport or move the appliance again after initial use.

Ensure that the following requirements are met:

- The appliance is emptied.
- The appliance is upright.
- Appliance with door(s): Door is secured against accidental opening.

- Appliance with telescopic unit: The telescopic unit is secured against accidental opening.
- Appliance is removed.
- ▶ Transport the appliance with the help of two people.

3.7 Unpacking the appliance


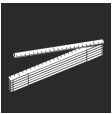






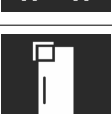

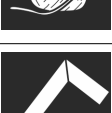
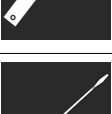


Before you connect the appliance, report any damage immediately to the delivery company.

- ▶ Check the appliance and the packaging for damage during transport. Contact the supplier immediately if you suspect any level of damage.
- ▶ Remove all materials from the back or the side walls of the appliance that may prevent proper installation or ventilation.
- ▶ Remove all protective films from the appliance. Do not use sharp or pointed objects for this.

3.8 Explanation of symbols used

	There is a danger of injury during this step! Observe the safety instructions!
	The instruction is valid for several models. Only perform this step if it applies to your appliance.
	For installation, please refer to the detailed description in the text section of the instructions.
	Section is valid for either a single-door appliance or a double-door appliance.
	Choose between the following options: Appliance with door hinge on the right or appliance with door hinge on the left.
	Installation step required for IceMaker and/or InfinitySpring.
	Only loosen or lightly tighten the screws.
	firmly tighten the screws.
	Check whether the following step is necessary for your model.
	Check that the components used are correctly installed/fitted.

Setting up and connecting

	Measure the specified dimension and correct if necessary.
	Tool for installation: Metre stick
 	Tool for installation: Cordless screwdriver and use A lengthwise bit insert is recommended for good access to the screws.
	Tool for installation: Spirit level
	Tool for installation: Open-end wrench with AF 7 and AF 10
	Two people are required for this step.
	The step takes place at the marked location on the appliance.
	Aid for installation: String
	Aid for installation: Protractor
	Aid for installation: Screwdriver
	Aid for installation: Scissors
	Aid for installation: Marking pen, wipeable
	Included: Remove components



Dispose of components that are no longer required in accordance with local regulations.

3.9 Door hinge change

A separate accessory kit is available from customer service for reversing the door hinge.

Liebherr recommends:

- ▶ Have the door hinge reversed by a service technician.

3.10 Connecting the appliance to the water supply*

Make sure that the following requirements are fulfilled:

- The dimensions for the water supply connection are known and complied with. (see 3.5.1 Dimensions for the water connection)
- The correct water pressure is maintained. (see 3.5.1 Dimensions for the water connection)
- Water is supplied to the appliance via a cold water pipe which can withstand the operating pressure and is connected to the drinking water supply.
- All equipment and devices used to supply water must comply with the regulations in force in the respective country.
- The rear of appliance is accessible so that you can connect the appliance to the drinking water supply.
- The supplied hose is used. Old hoses have been disposed of.
- The hose connector contains a filter with a seal.
- There is a tap between the hose line and the domestic water connection so that you can turn off the water supply if necessary.
- The tap is not directly behind the appliance and is easily accessible. This way, you can push the appliance as far as possible into the cabinet recess and can quickly turn off the tap if necessary.



WARNING

Risk of electric shock from water!

- ▶ Before connecting to the water pipe: Disconnect the appliance from the mains.
- ▶ Before connecting to water supply lines: Shut off the water supply.
- ▶ Make sure that only qualified personnel connect the device to the drinking water supply.



WARNING

Risk of poisoning due to contaminated water!

- ▶ Only connect to the drinking water supply.

3.10.1 Connecting the hose

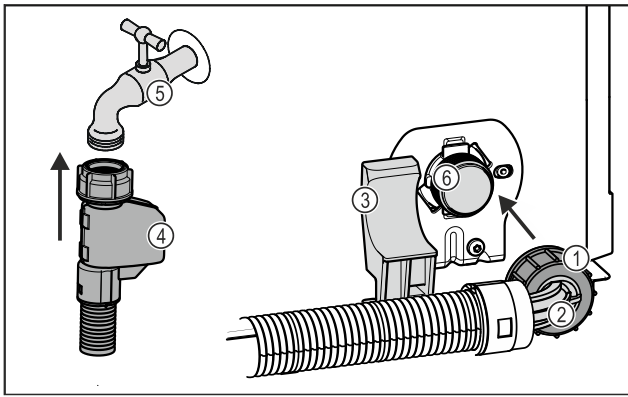


Fig. 5

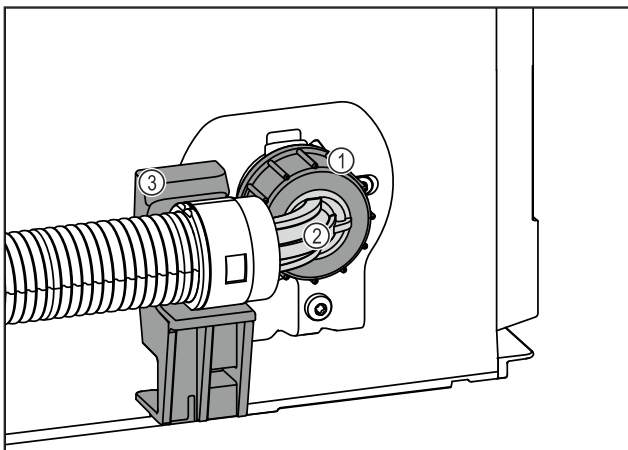


Fig. 5

- | | |
|---------------------|---|
| (1) Nut | (4) Straight hose end |
| (2) Angled hose end | (5) Tap |
| (3) Bracket | (6) Solenoid valve: The solenoid valve is at the bottom on the back of the appliance. It has an R3/4 connecting thread. |

NOTICE

Risk of damage from incorrect installation!

- ▶ Do not damage or kink the hose.
- ▶ Do not damage or kink the hose during installation in the cabinet recess.

Connecting the hose to the appliance:

- ▶ Position and hold the angled hose end Fig. 5 (2) horizontally on the bracket Fig. 5 (3).
- ▶ Screw on the nut Fig. 5 (1) on by hand until it is firmly in place.
- ▶ The hose is connected to the appliance.

Connecting the hose to the tap:

- ▶ Connect the straight hose end Fig. 5 (4) to the tap Fig. 5 (5).
- ▶ The hose is connected to the tap.

3.10.2 Checking the water system

Before you completely install the appliance in the cabinet recess, Liebherr recommends checking the water system for leaks.

- ▶ Put in the InfinitySpring water tank. *
- ▶ Put in the InfinitySpring water filter. *
- ▶ Slowly turn on the tap.
- ▶ Check the hose, water feed and connections for leaks.
- ▶ The water system has now been checked for leaks.
- ▶ The water system is not leaking: You can install the appliance completely in the cabinet recess.

Note

InfinitySpring: Before the first use, you must put the InfinitySpring into operation. To do this you must bleed and clean the water system. (see Quick Start Guide or operating instructions)*

3.11 Setting up the appliance



CAUTION

Risk of injury due to heavy appliance!

- ▶ Have two people transport the appliance to its installation site.



WARNING

Danger of injury and damage due to the appliance being unstable!

The appliance can topple over.

- ▶ Secure the appliance as described in the instructions.



WARNING

Fire hazard and danger of damage!

- ▶ Do not place appliances emitting heat e.g. microwaves, toasters etc. on the appliance!

If possible, have the appliance installed in the kitchen unit by a professional.

Do not install the appliance on your own.

3.11.1 After installation

- ▶ Remove all transport safety components.

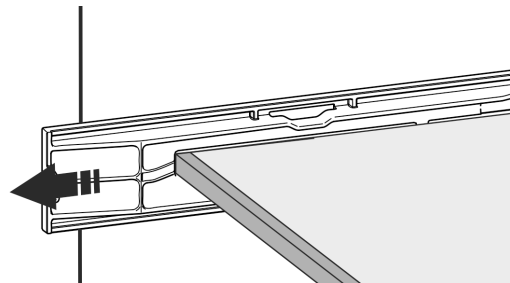
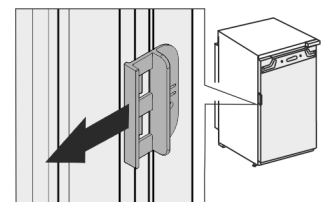


Fig. 6

- ▶ Pull off the transport lock on the appliance door.



- ▶ Clean the appliance (see User Guide, Cleaning the appliance).

3.12 Installing multiple appliances

The appliances have been developed for different installation methods. If you wish to install several appliances next to each other or on top of each other, ensure that the following requirements are met:

- Only install appliances next to or on top of each other if they have been developed for this.
- Observe notices and the following table.

Setting up and connecting

NOTICE

Risk of damage due to condensate!

- ▶ Do not place the appliance directly next to another cooling/refrigeration unit.

NOTICE

Risk of damage due to condensation!

- ▶ Do not place the appliance directly on top of another cooling/refrigeration unit.

Model	Installation method
All models	Standalone
Models with a model designation starting with S...	Side-by-Side (SBS)
Models up to a maximum niche height of 880 mm and with a heated ceiling can be installed "on top of each other". Top appliance: up to a maximum niche height of 140 mm	On top of each other

Models and their installation method

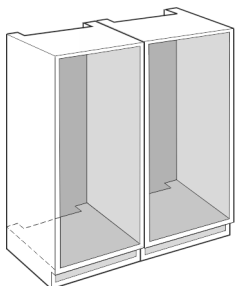


Fig. 7

Install each appliance into a separate unit niche.

3.13 Disposing of packaging



WARNING

Danger of suffocation due to packing material and plastic film!

- ▶ Do not allow children to play with packing material.

The packaging is made of recyclable materials:

- corrugated board/cardboard
- expanded polystyrene parts
- polythene bags and sheets
- polypropylene straps
- nailed wooden frame with polyethylene panel*

- ▶ Take the packaging material to an official collecting point.

3.14 Installing the appliance in the recess

The appliance is installed using the following main steps:

1. Have your tools ready. Fig. 8 ()
2. Check the assembly parts in the accessory kit. Fig. 9 () to Fig. 15 ()
3. Prepare the niche and the appliance.
4. Align the appliance in the recess.
5. Temporarily fasten the knocking sensor.
6. Put in the covers and height adjuster.
7. Fit the unit fronts.
8. Attach the knocking sensor.
9. Fit the covers and rubber gasket.

10. Adjust the knocking sensor's sensitivity.
11. Check the installation.

Tools

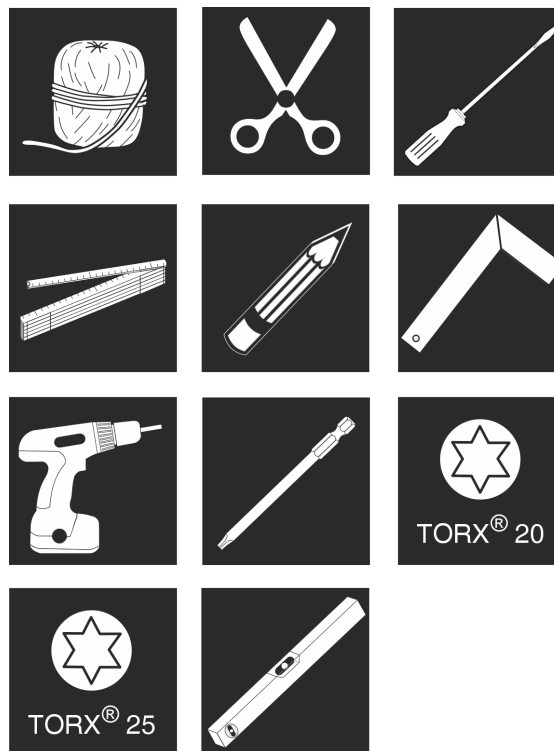


Fig. 8

Assembly parts in the accessory kit Fig. 9 () to Fig. 15 ()

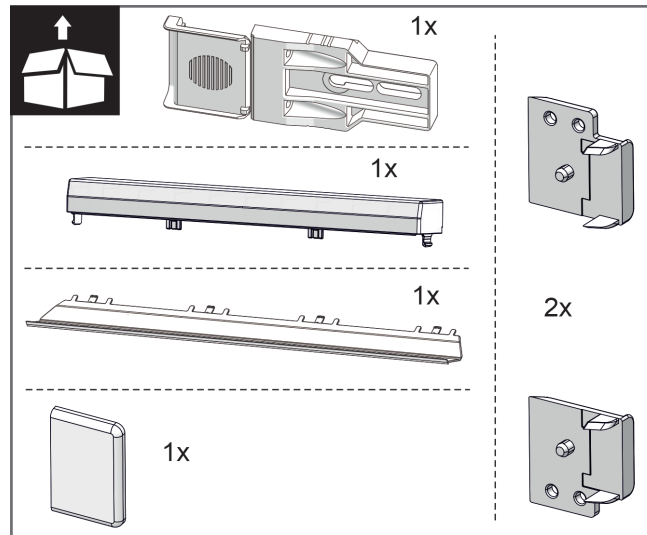


Fig. 9

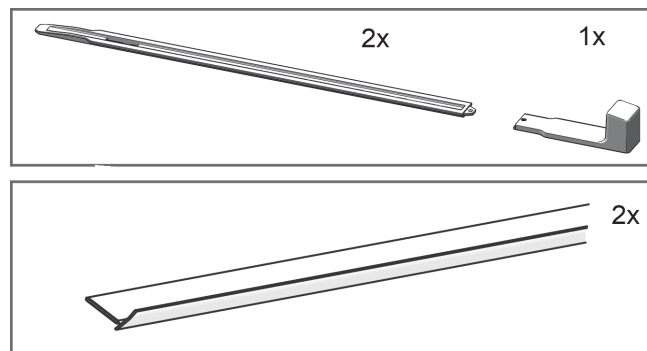


Fig. 10

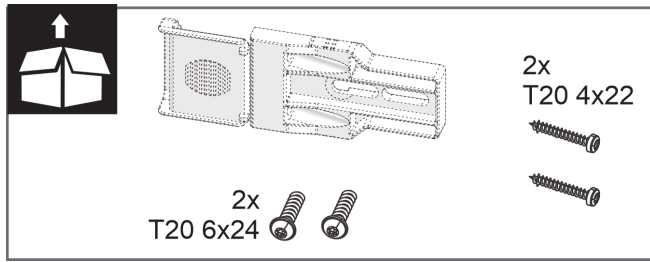


Fig. 11

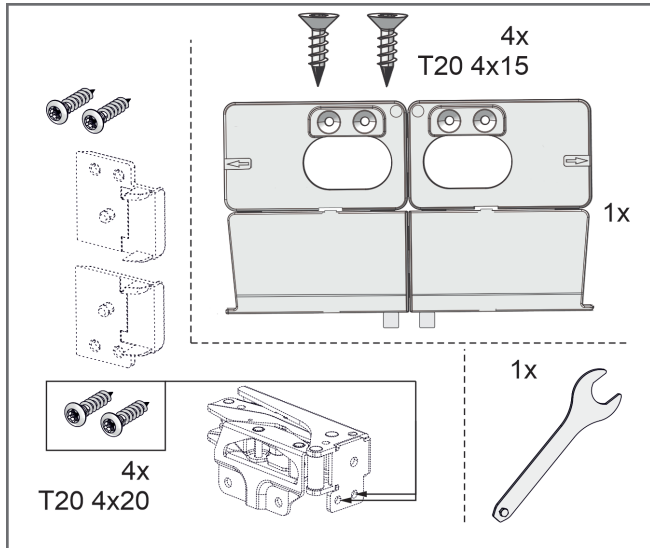


Fig. 12

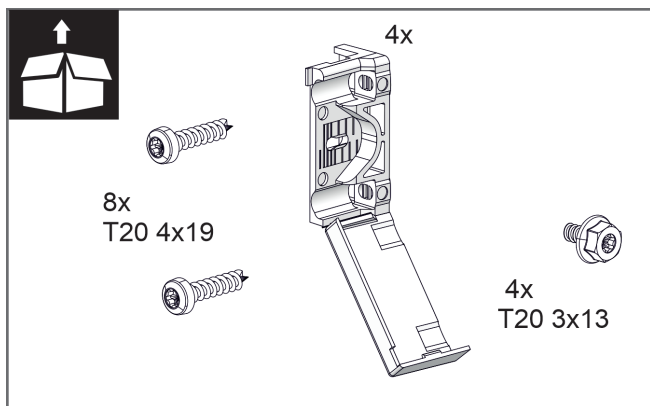


Fig. 13

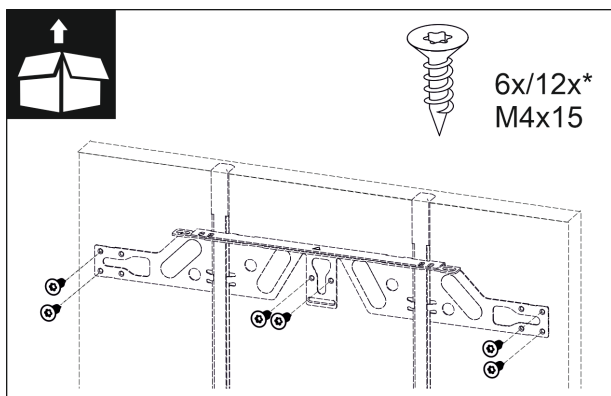


Fig. 14

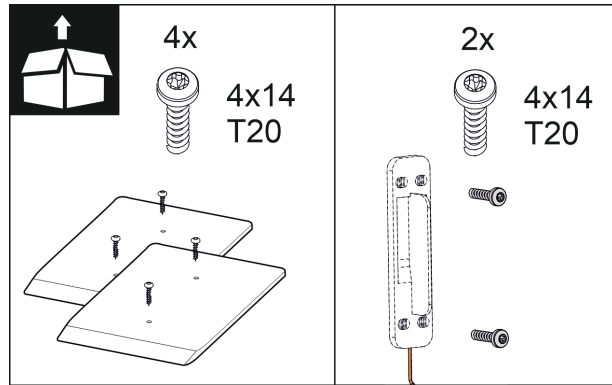


Fig. 15

3.14.1 Preparing the recess and the appliance

NOTICE

Risk of damage due to the door scraping on the floor! Damage to the door's drive unit. If the spacer plates have not been installed in the niche, the gap between the door and the floor is insufficient. The door may scrape the floor and therefore damage parts of the drive unit.

- Fit the spacer plates provided onto the floor in the niche.

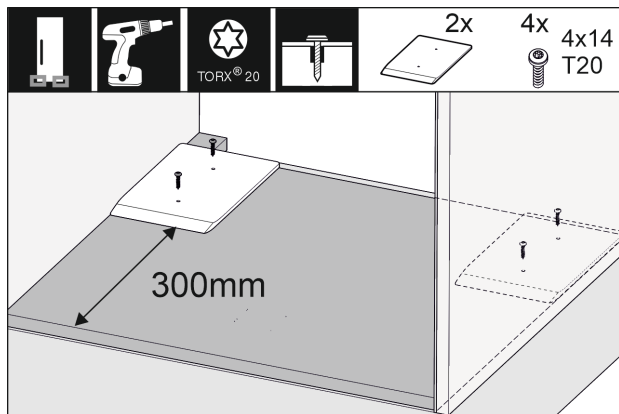


Fig. 16

- Fit the supplied spacer plates in the left and right of the cabinet recess.

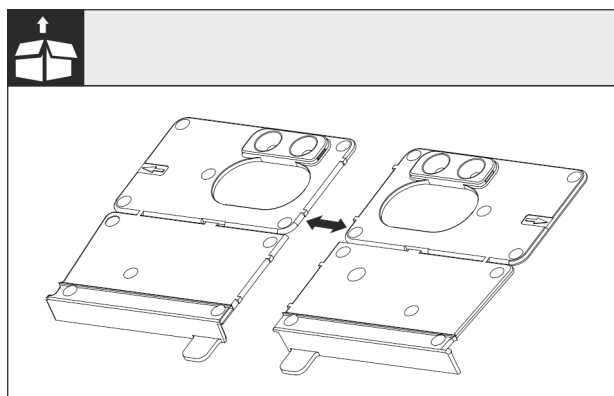


Fig. 17

- Separate the floor mounting bracket at the perforation.

NOTICE

Appliance installation depth.

- Using the mounting bracket ensures the correct installation depth of the appliance.

Setting up and connecting

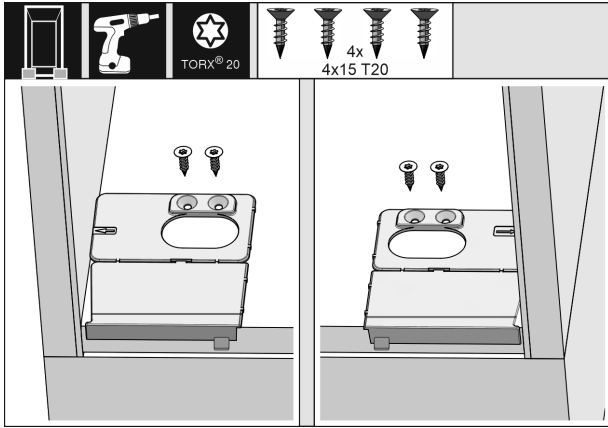


Fig. 18

- Screw the mounting brackets on the left and right of the recess floor, flush to the side wall.

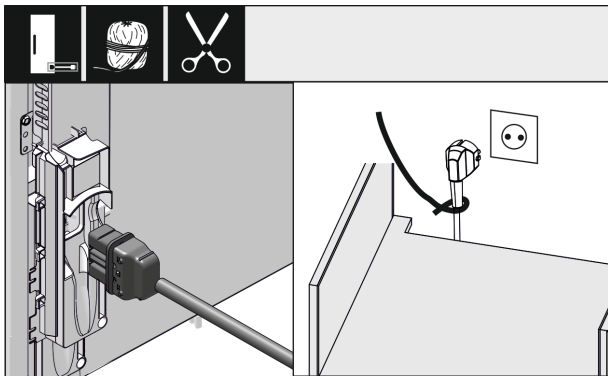


Fig. 19 *

- Remove the mains cable from the package.
- Plug the mains cable's IEC socket completely into the appliance plug on the back of the appliance. Ensure that the IEC socket is tight.
- Use a cord to lay the mains plug to a freely accessible socket.

NOTICE

Risk of damage due to the door opening automatically! Damage to the door's drive unit. If the appliance is not yet installed in the kitchen units completely but you already connect it to the power supply, the door may open unexpectedly. If the gap between the door and the ground is too small, the door may scrape the floor and therefore damage parts of the drive unit.

- Only plug the mains plug into the socket once the appliance has been installed correctly.

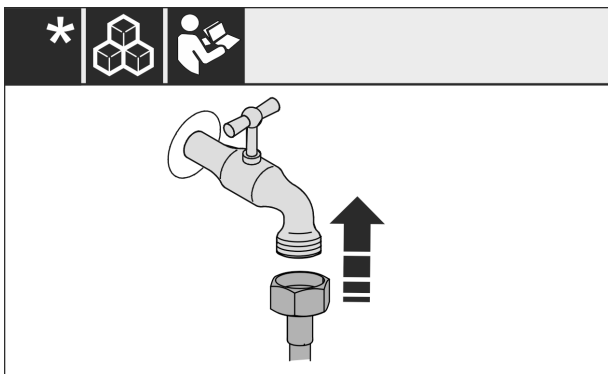


Fig. 20

- If necessary, install the water connection at this point according to the operating instructions.

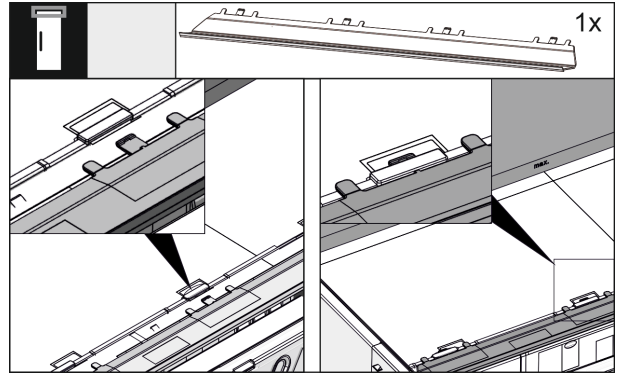


Fig. 21

- Insert the levelling panel on the top of the appliance. The panel can be moved to both sides.

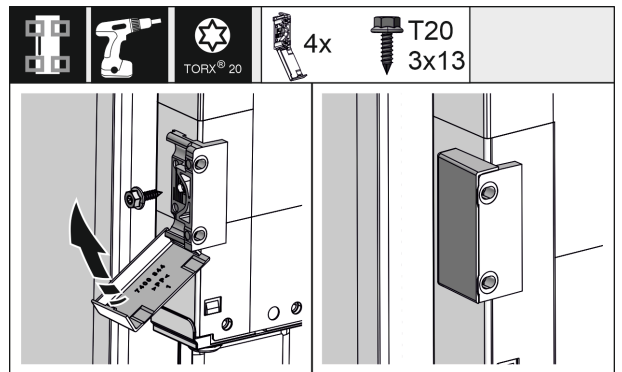


Fig. 22

- For easier assembly, fit the mounting bracket before pushing the appliance into the cabinet recess. For a large door, use four mounting brackets. After assembly, fold the covers onto the bracket.

3.14.2 Aligning the appliance in the recess

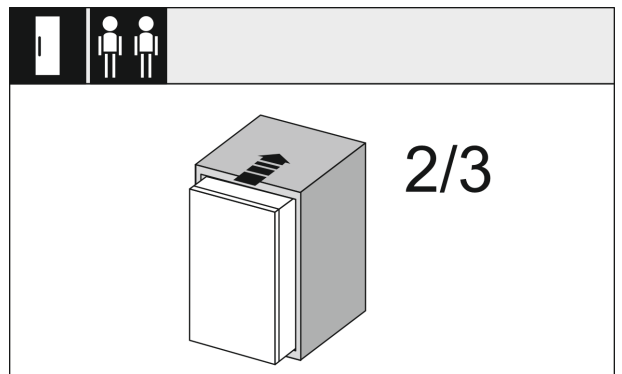


Fig. 23

- Push the appliance 2/3 of the way into the recess.

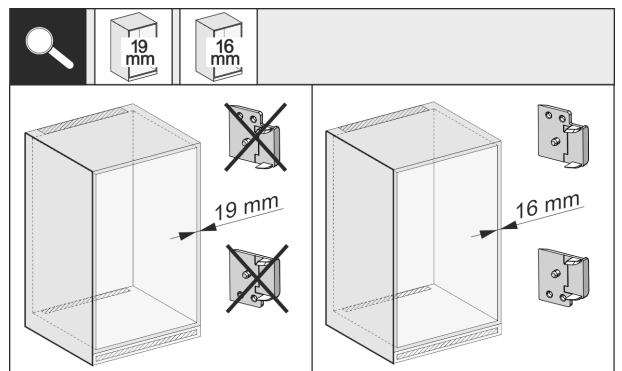


Fig. 24

- ▶ Check whether the unit side wall is 16 mm or 19 mm thick.

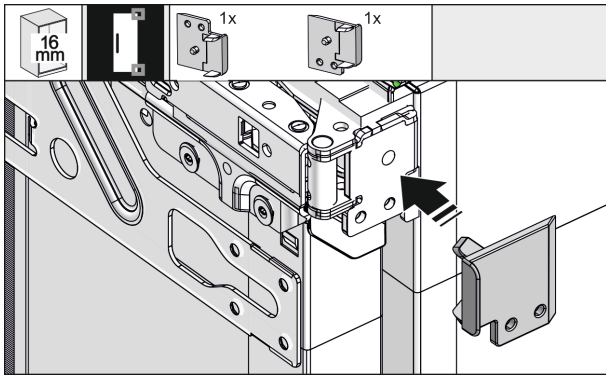


Fig. 25

- ▶ For unit walls which are 16 mm thick: Clip a spacer on all hinges. No spacer is required if unit walls are 19 mm thick.

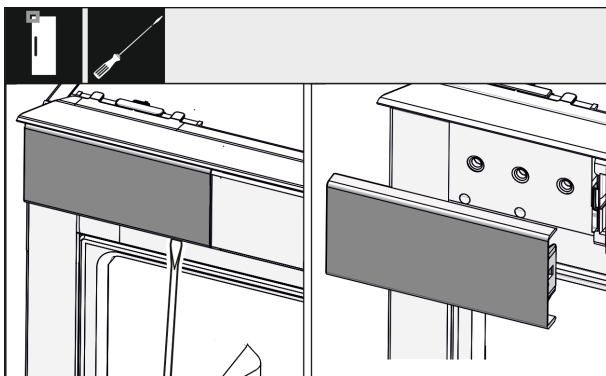


Fig. 26

- ▶ Use a screwdriver to loosen the cover at the top left and remove it.

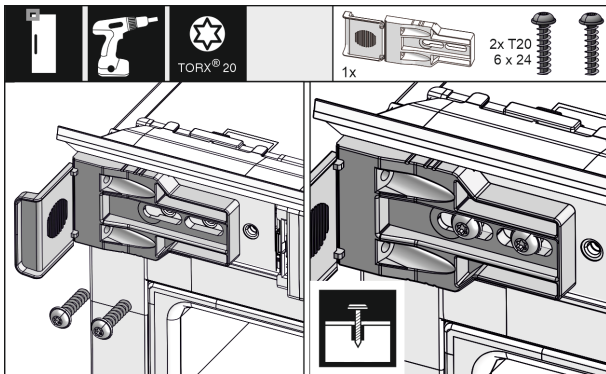


Fig. 27

- ▶ Loosely screw on the mounting bracket. The bracket should still be able to move slightly.

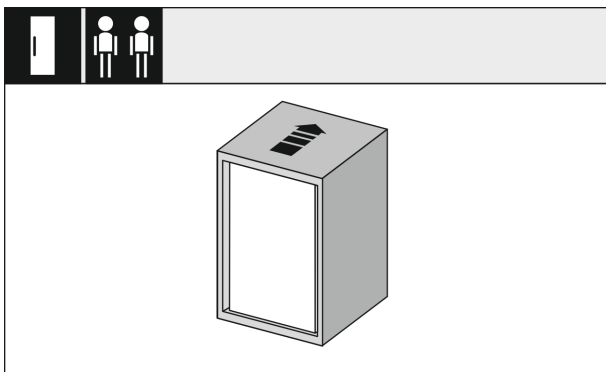


Fig. 28

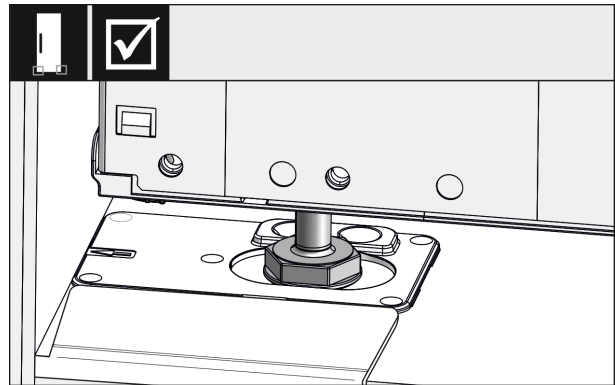


Fig. 29



WARNING

Risk of fire due to short circuit!

- ▶ When you push the appliance into the niche: do not kink, jam or damage the mains cable.
- ▶ The appliance must not be operated with a defective mains cable.

- ▶ Insert the appliance all the way into the unit recess. The adjustable feet must rest in the recesses in the brackets on both sides.

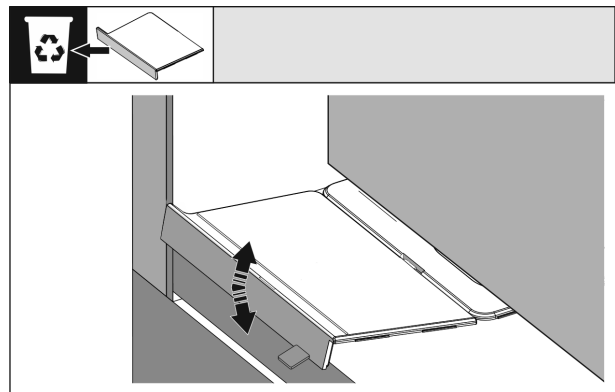


Fig. 30

- ▶ Remove the floor mounting bracket stopper. Loosen the stopper by moving it and, if necessary, pull it off using pliers.

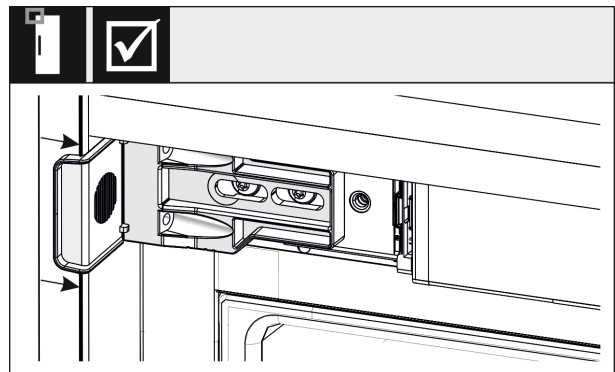


Fig. 31

- ▶ Check that the appliance is flush in the cabinet recess. The mounting bracket must be attached to the side wall of the cabinet recess.

Setting up and connecting

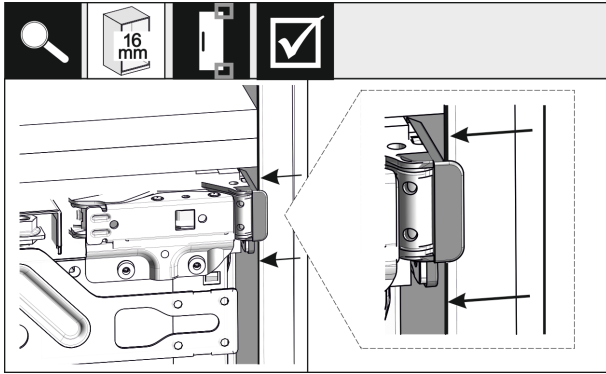


Fig. 32

- For unit side walls which are 16 mm thick, the spacers fit against the unit recess on the hinge side.

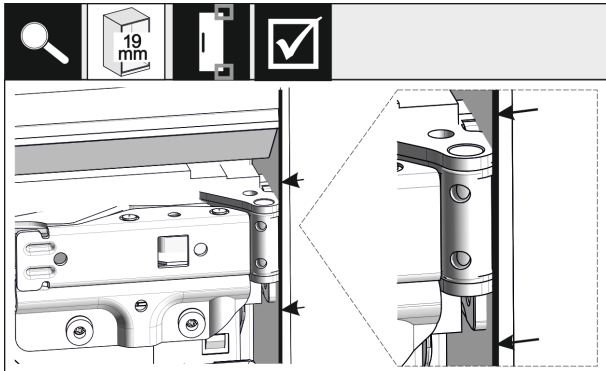


Fig. 33

- For unit side walls which are 19 mm thick, the front sides of the hinges are positioned flush against the front of the unit side wall.

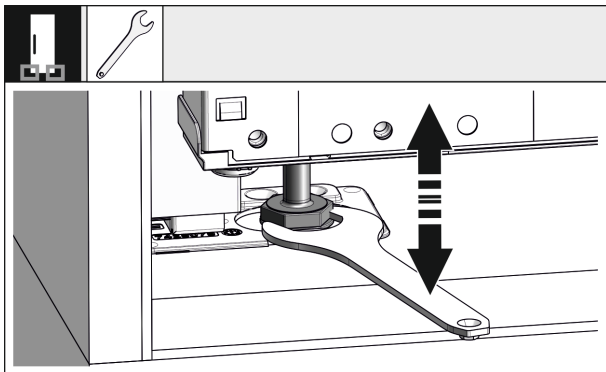


Fig. 34

- If necessary, use the adjustable feet to correct the tilt of the appliance.

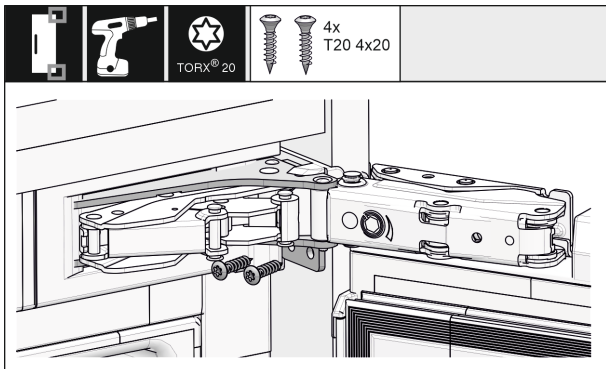


Fig. 35

- Screw on the appliance on the hinge side.

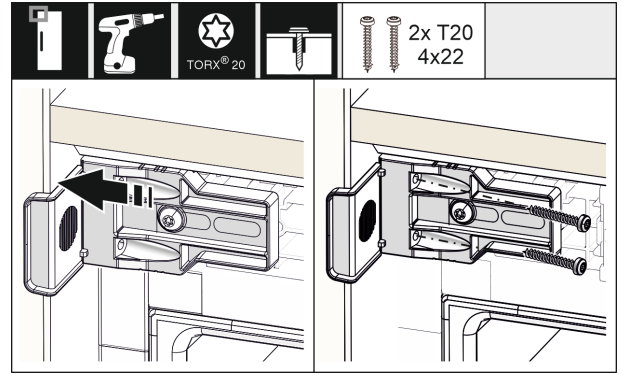


Fig. 36

- Move the bracket so it sits flush on the side wall of the cabinet recess. Tighten all the screws securely.

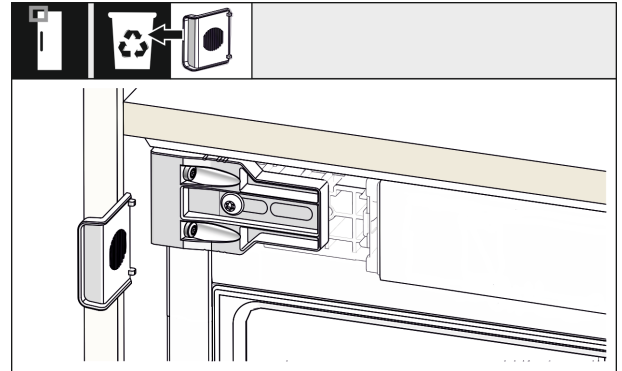


Fig. 37

- Break off the stop from the bracket on the handle side and dispose of it.

3.14.3 Temporarily fastening the knocking sensor

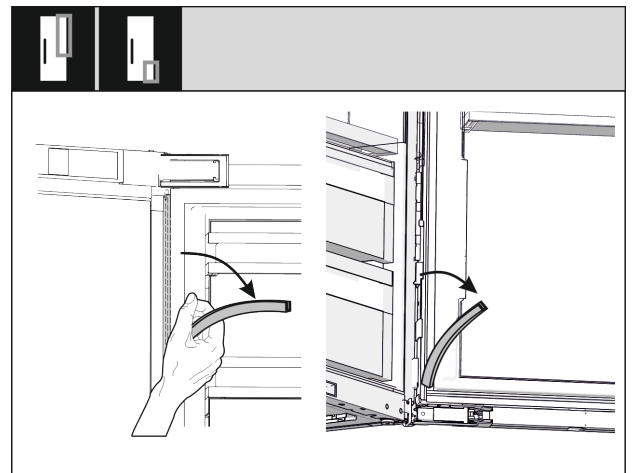


Fig. 38

- Remove the top and bottom cover strips from the cable duct and put to one side. You require the space behind the cover strips to install the knocking sensor and the unit front.

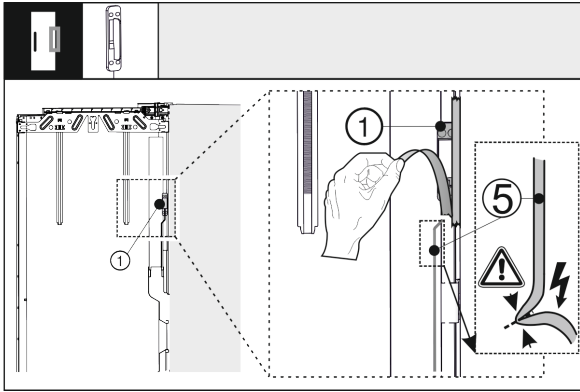


Fig. 39

- ▶ Remove the knocking sensor Fig. 39 (1) from the outer door. Do not damage the connection cable Fig. 39 (5).

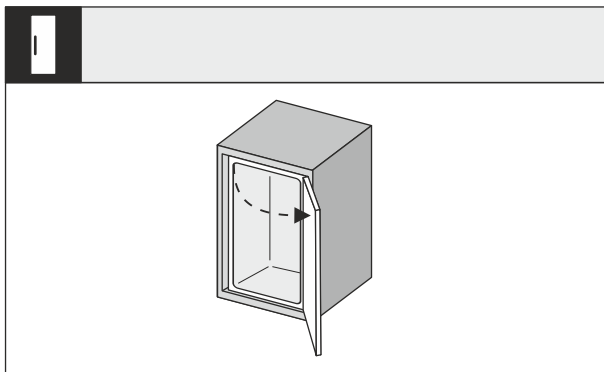


Fig. 40

- ▶ Open the appliance door wide.

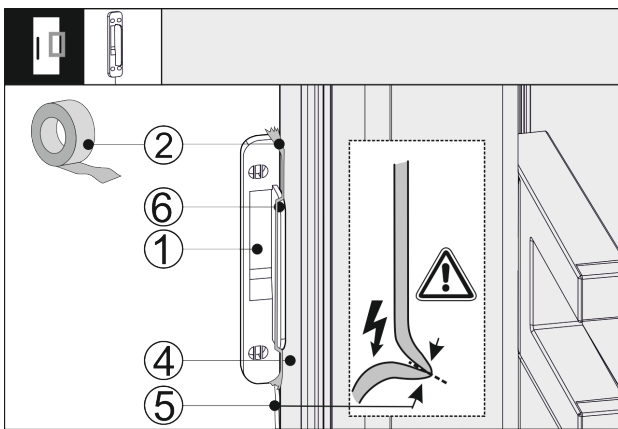


Fig. 41

- ▶ Place the knocking sensor Fig. 41 (1) on the side on the appliance door Fig. 41 (4) so that the limit stop Fig. 41 (6) is touching the appliance door Fig. 41 (4). The sensor cable Fig. 41 (5) is tensioned slightly and is also touching the appliance door Fig. 41 (4).
- ▶ Attach the knocking sensor Fig. 41 (1) with adhesive tape Fig. 41 (2). The knocking sensor is screwed to the unit front at a later point.

3.14.4 Inserting the covers and height adjuster

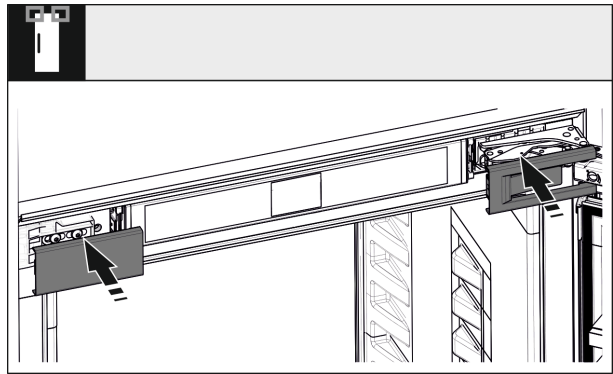


Fig. 42

- ▶ Put on the covers.

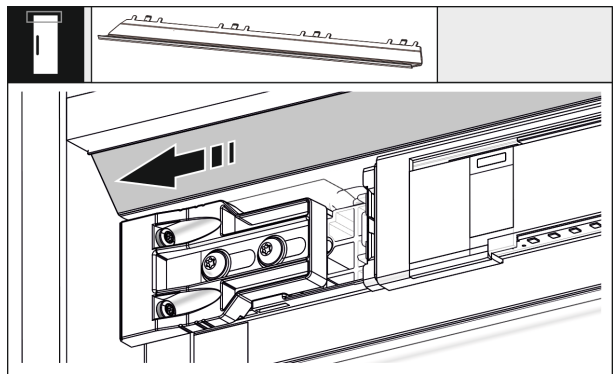


Fig. 43

- ▶ Slide the panel so that it sits flush with the side of the cabinet wall.

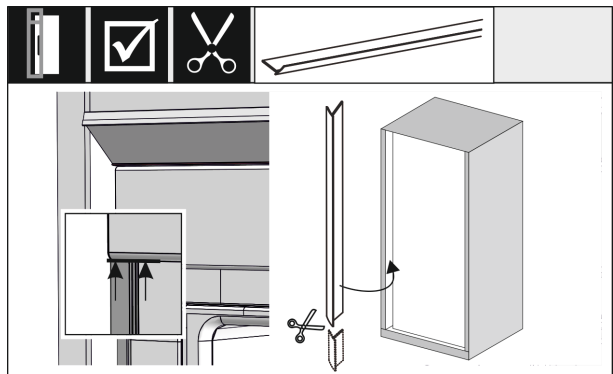


Fig. 44

- ▶ The sealing strip is magnetic. Position the sealing strip below the top cover and press it in. If necessary, shorten the sealing strip to the required length with a sharp pair of scissors.

From a niche height of 1400 mm, install levelling rails:



Fig. 45

Setting up and connecting

You must installed levelling rails under the appliance from a niche height of 1400 mm. The levelling rails **reduce the noise level**. Two levelling rails and an installation handle are enclosed as standard from a niche height of 1400 mm.

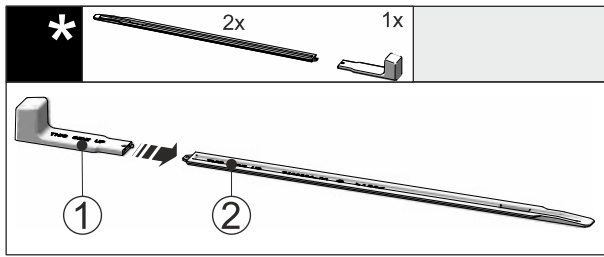


Fig. 46

- ▶ Attach the installation handle Fig. 46 (1) to the levelling rail Fig. 46 (2).

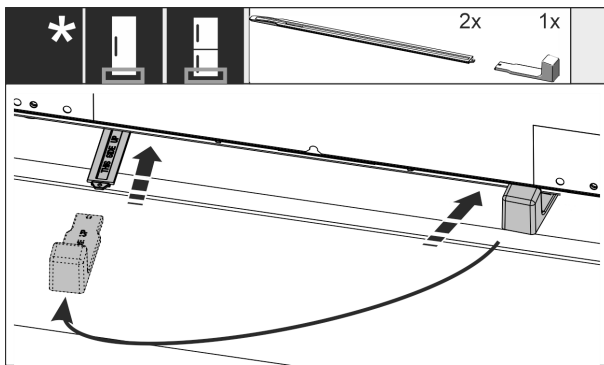


Fig. 47

- ▶ Push the levelling rail into the guide under the appliance base until it reaches the stop.
- ▶ Remove the installation handle and attach it to the second levelling rail.
- ▶ Proceed in the same way for the second levelling rail.

3.14.5 Mounting the front of the cabinet

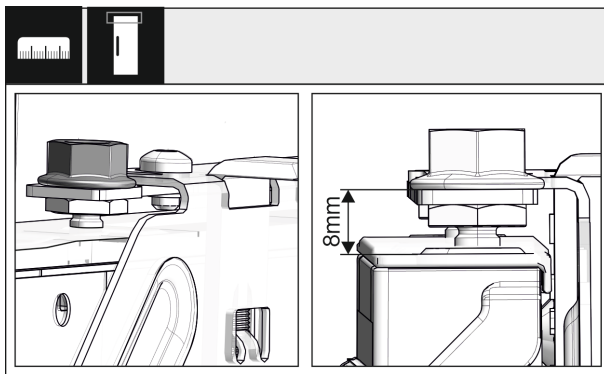


Fig. 48

- ▶ Close the door and check the preset of 8 mm from the upper edge of the appliance door to the crosspiece support

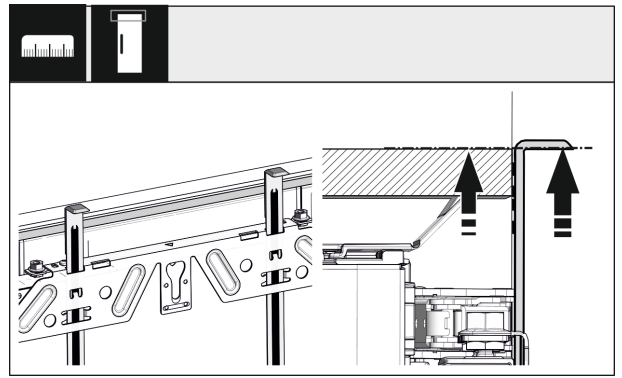


Fig. 49

- ▶ Push the fitting aids to the height of the custom door panel. The bottom of the fitting aid must be level with the top of the custom door panel to be mounted.

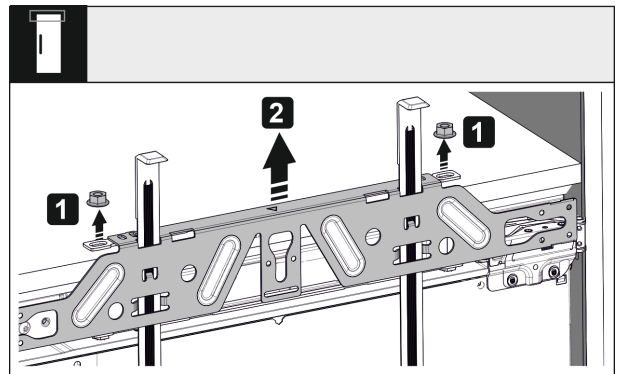


Fig. 50

- ▶ Loosen the counter nut and remove the crosspiece.

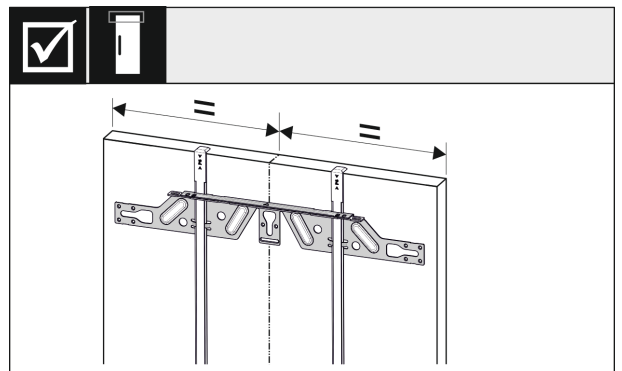


Fig. 51

- ▶ Hang the crosspiece on the inside of the custom door panel and make sure it is central.

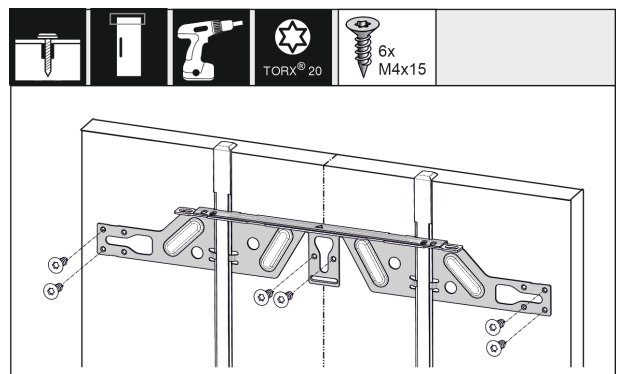


Fig. 52

- ▶ Fix the crosspiece using at least 6 screws for chipboard doors and at least 4 screws for panel doors.

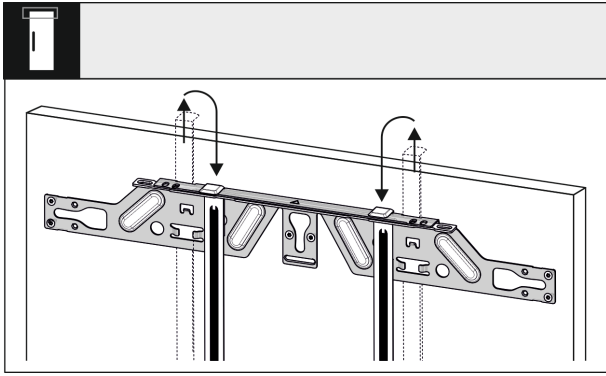


Fig. 53

- ▶ Pull out the fitting aids, turn them round and put them in the adjacent opening.

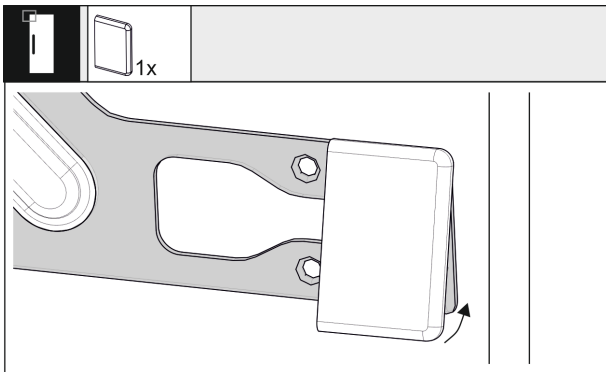


Fig. 54

- ▶ Clip the cover on the crosspiece on the handle side.

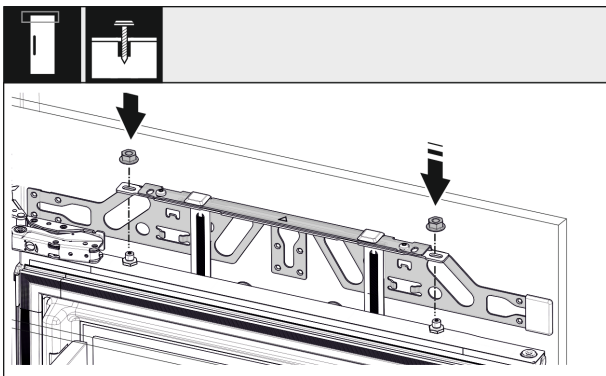


Fig. 55

- ▶ Attach the custom panel and loosely screw the lock nuts onto the adjusting bolts.

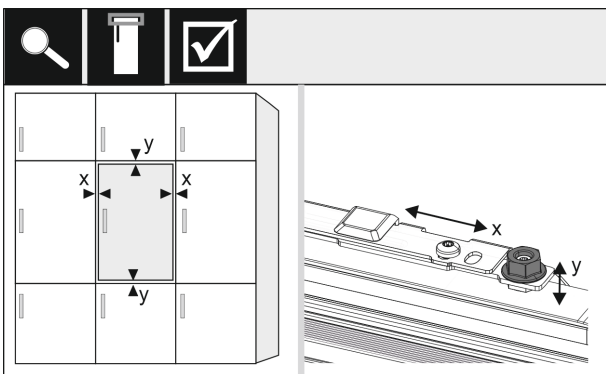


Fig. 56

- ▶ Align the custom panel in the X and Y direction using the adjusting bolts.

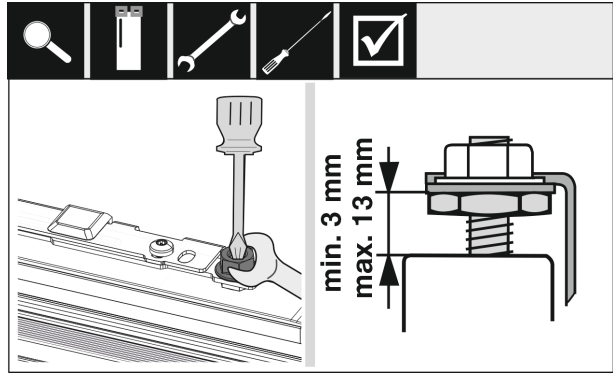


Fig. 57

- ▶ Screw on the lock nuts and check the height.

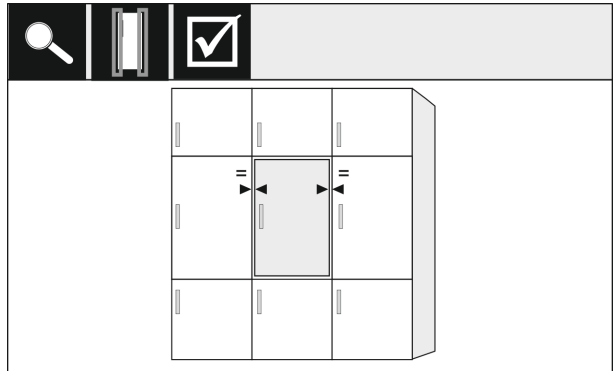


Fig. 58

- ▶ Check the gap between the door and the surrounding custom door panels. For unit fronts thicker than 19 mm, take account of the dimensions and advice in the chapter **Unit fronts**.

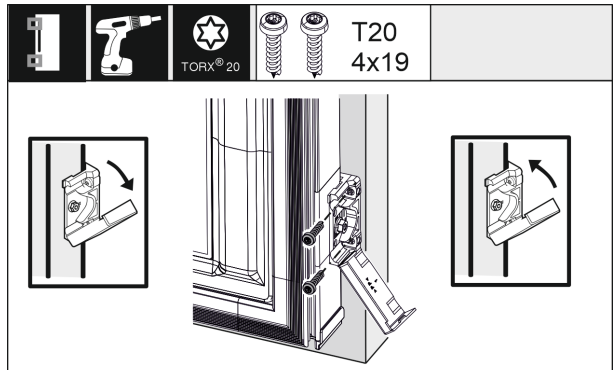


Fig. 59

- ▶ Open the cover to fit the mounting bracket on the custom door panel. Align the front edge of the mounting bracket parallel with the custom door panel edge and screw the bracket down tightly. Fold up the cover.

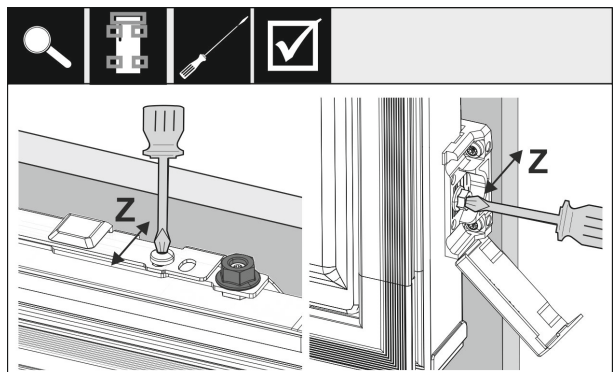


Fig. 60

Setting up and connecting

Align the custom panel in the Z direction:

- ▶ Loosen the adjusting screw on the crosspiece and the screw on the mounting bracket.
- ▶ Move the door.

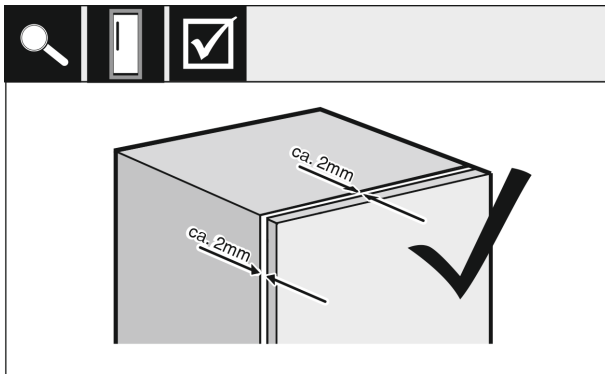


Fig. 61 *

- ▶ Check the gap between the custom door panel and the unit body.
- ▶ Check all screws and retighten them if necessary.

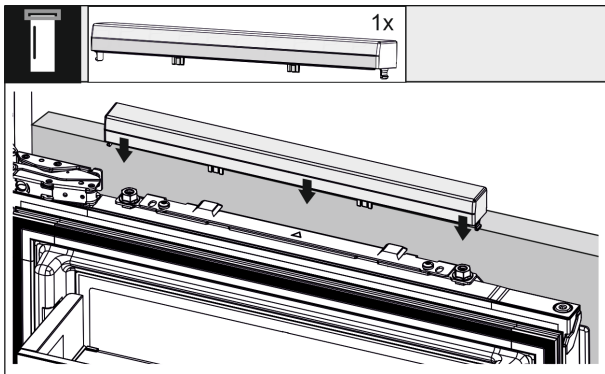


Fig. 62

- ▶ Clip the top cover on.

3.14.6 Fastening the knocking sensor

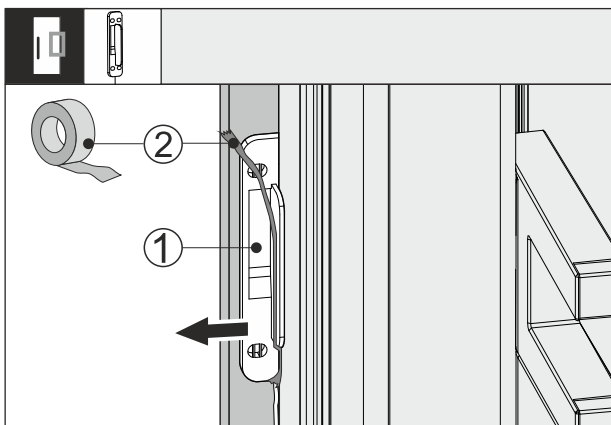


Fig. 63

- ▶ Remove the adhesive tape Fig. 63 (2) from the knocking sensor Fig. 63 (1).
- ▶ Pull the knocking sensor out carefully from between the unit front and the appliance door.

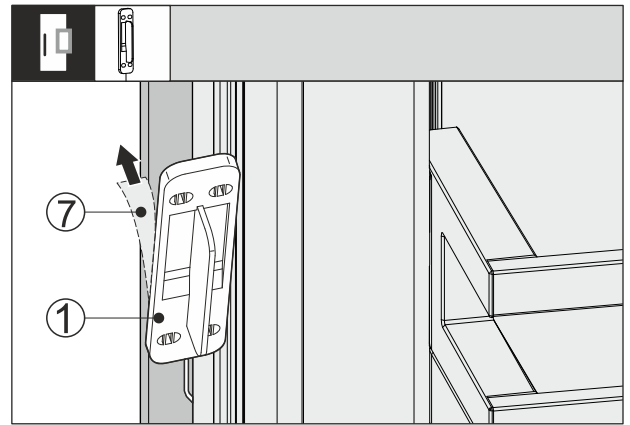


Fig. 64

- ▶ Remove the protective film Fig. 64 (7) on the back of the knocking sensor Fig. 64 (1).

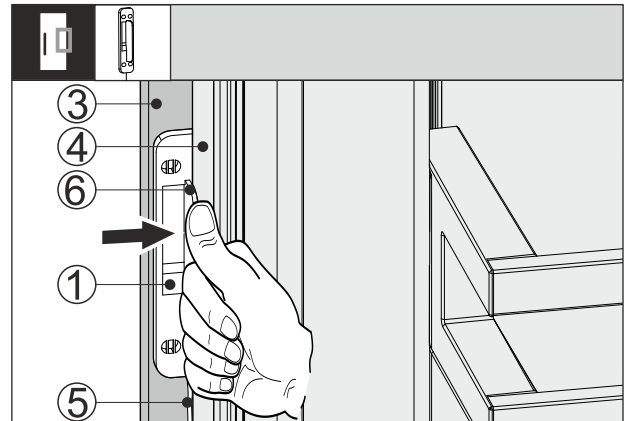


Fig. 65

- ▶ Push the knocking sensor Fig. 65 (1) between the unit front Fig. 65 (3) and the appliance door Fig. 65 (4) so that the cable Fig. 65 (5) is tensioned slightly. The knocking sensor's limit stop Fig. 65 (6) is touching the appliance door Fig. 65 (4).
- ▶ Press the knocking sensor Fig. 65 (1) to the unit front Fig. 65 (3).
- ▶ The knocking sensor Fig. 65 (1) is glued on. Gluing the knocking sensor on optimises transmission of the knocking signal.

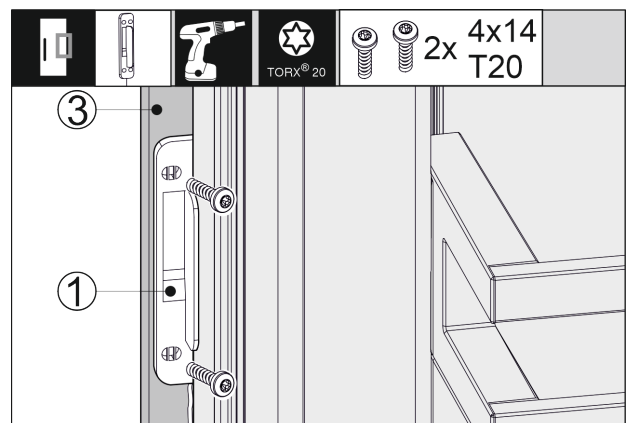


Fig. 66

Attaching the knocking sensor Fig. 65 (1) permanently extends the service life.

- ▶ Use the enclosed screws to screw the knocking sensor Fig. 65 (1) onto the unit front Fig. 65 (3).
- ▶ The knocking sensor is screwed on.

3.14.7 Fitting the covers and rubber gasket

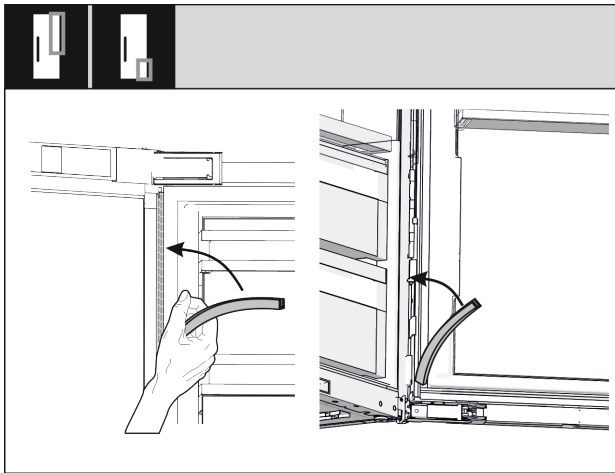


Fig. 67

- ▶ Place the long cover on the top hinge side and press it on.
- ▶ Place the short cover on the bottom hinge side and press it on.

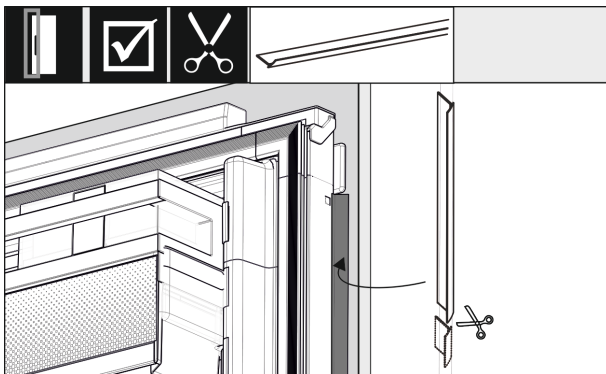


Fig. 68

- ▶ Adjust the rubber gasket, cut to size and insert between the unit front door and the appliance door.

3.14.8 Setting the sensitivity of the knocking sensor

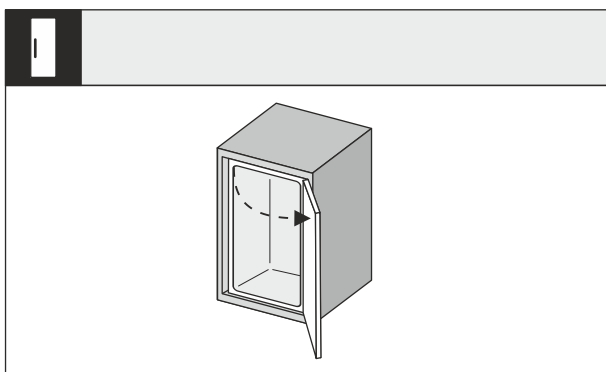


Fig. 69

- ▶ Open the appliance door wide.

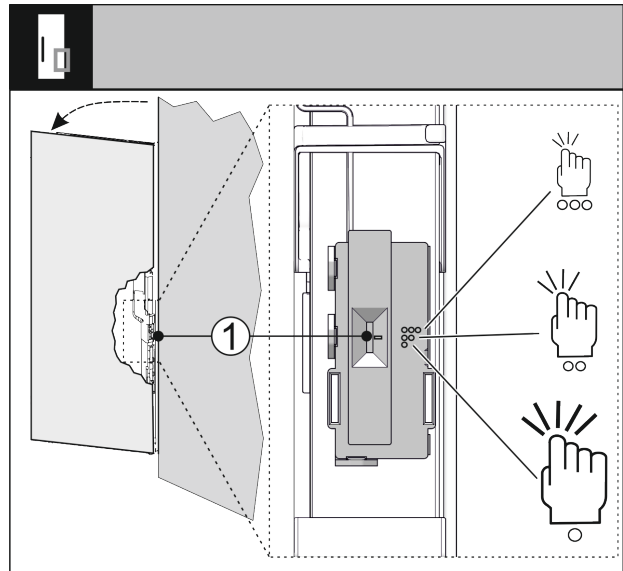


Fig. 70

You can use a switch Fig. 70 (1) to adjust the sensitivity of the knocking sensor. The switch is on the bottom third of the door on the hinge side.

Switch position	Symbol	Importance
Top	○○○	High sensitivity, gentle knocking sufficient.
Middle	○○	Moderate sensitivity, normal knocking required. This setting is the default.
Bottom	○	Less sensitive, strong knocking required.

- ▶ Move the switch Fig. 70 (1) to the required switch position.

3.14.9 Checking the installation

- ▶ Check the following points to ensure that the appliance is installed correctly. Otherwise, icing, condensation formation and malfunctions may occur.
 - ▷ The door must close properly.
 - ▷ The custom door panel must not touch the body of the unit.
 - ▷ The seal on the upper corner on the handle side must be fitted securely.
 - ▷ The spacer plates have been screwed into the niche.

3.14.9 Cabinet fronts

3.15 Dimensions

Depending on your model, you will need one or two cabinet doors. The size of the cabinet door(s) depends on the overall recess size and cabinet unit thickness.

Note

Observe the corresponding appliance and niche dimensions, and installation sketches.

General requirements:

- Please note our appliance-specific recommendations on size and weight for fixed door installation. (see 3.4 Custom panel weights)
- The body of the unit should be at least 16 mm thick but not more than 19 mm.

Setting up and connecting

Other cabinet door above, below or next to it:

- The vertical gap between custom panels must be 4 mm.
- The horizontal gap between custom panels must be 4 mm. Check the risk of them clashing here. (see 3.17 Setting the clearance to avoid collision)

Weight and hinges:

- With heavy furniture fronts, the stress on the hinge is very high. The hinge may be damaged. Please note the maximum weight specification for your appliance in the chapter Furniture front weights (see 3.4 Custom panel weights).
- If the cabinet front exceeds the maximum permitted weight, an appliance with door-tracking device can help by loading the weight over several concealed hinges on the cabinet.
- If you use long unit fronts that protrude far above the appliances, we recommend an additional door hinge (e.g. Kamat), which must have the same pivot point as the fixed door hinge used with your appliance. By using another hinge (Kamat), the weight is shared over several points. The use of a milled compensating fastening is recommended for high unit fronts to counteract warping (convex/concave).

3.16 Mounting the cabinet front(s)

When installing, note:

- Cabinet front must be installed symmetrically to the refrigerator door.
- Adjoining cabinet front is exactly level.
- Adjoining cabinet front has the same edge radius as the front of the appliance.
- Cabinet front is flat and tension-free.
- The front panel has a minimum depth setting of approx. 2 mm to the body.
- ▶ Install the appliance in the recess.
- ▶ Fasten the front panel to the appliance door.
- ▶ Check that the front panel can close unobstructed. (see 3.17 Setting the clearance to avoid collision)

3.17 Setting the clearance to avoid collision

After installing the cabinet front(s), check that the cabinet fronts do not collide.

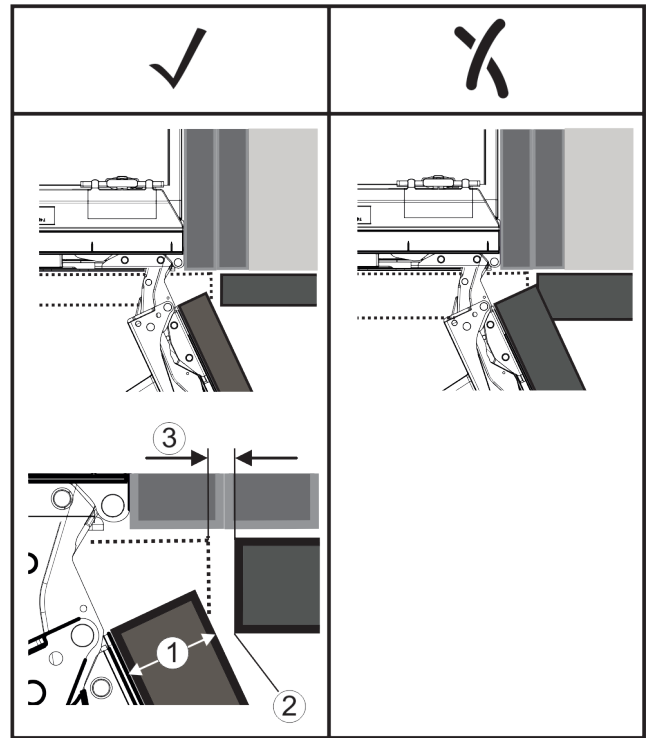


Fig. 71

- (1) Front thickness (FD)
- (2) Edge radius (R)
- (3) Clearance (S)

FD(1) (mm)	R (2) = 0 mm		R = 1,2 mm		R = 2 mm		R = 3 mm	
	G _{min}	G _{max}	G _{min}	G _{max}	G _{min}	G _{max}	G _{min}	G _{max}
16	0,3	0,9	0,1	0,4	0,1	0,2	0,1	0,2
19	0,7	2,4	0,3	1,9	0,5	2,3	0,1	0,8
20	2	4,3	1,5	3,6	1	3,1	0,6	2,7
22	3,5	6,3	3	5,6	2,6	5,3	2,1	4,6
24	5,5	8,3	5	7,8	4,5	7,4	4	6,9
26	7,6	10,7	7	10,3	6,6	9,9	6,2	9,4

Fig. 72 Table of clearance limits*

G_{min} = min. clearance in mm*

G_{max} = max. clearance in mm*

Note

When making adjustments, always make sure that the cabinet front suits the general appearance.

Check the collision factors and adjust them accordingly:

- ▶ Determine the front thickness and edge radius.
- ▶ Refer to the table for the min./max. clearance dimensions.
- ▶ Check the clearance size against the table.
- ▶ Do one of the following depending on the measured clearance size.

Clearance	Description
$S > G_{max}$	If the clearance size is greater than the two limits, you do not need to make any adjustments.
$S < G_{min}$	If the clearance size is below the limits, you must increase it. Another option is to increase the edge radius.
$G_{min} \leq S \leq G_{max}$	If the clearance is between the two limits, you have to be careful. This will quickly lead to collisions.

3.18 Connecting the appliance to the power supply



WARNING

Danger of electric shock and injury due to damaged appliance or damaged mains cable!

Danger of cuts and fatal injuries. If the appliance or the mains cable is damaged during transport, you may be electrocuted. You could also cut yourself on damaged parts of the appliance housing.

- ▶ Check the appliance and the mains cable for damage after transport.
- ▶ Never put the appliance into operation if the appliance or the mains cable are damaged.
- ▶ Contact Customer Service.

You can connect your appliance to the mains using the power cable supplied separately. The mains power cable has an appliance coupler at one end and a mains plug at the other end.

Make sure that the following requirements are fulfilled:

- The appliance and power cable are undamaged.
- The appliance is installed in accordance with the regulations. (see 3.14 Installing the appliance in the recess)
- Requirements for the electrical connection are met.
- Dimensions for connection in accordance with regulations are known and observed.
- Mains voltage and frequency correspond to the specifications on the type plate.
- The socket is earthed according to the regulations and fused.
- The fuse tripping current is between 10 A and 16 A.
- The socket is easily accessible and is not behind the appliance. (see 3.3 Recess dimensions)

NOTICE

Danger of damage to incorrect operation!
Damage to the electrical components of the appliance.

- ▶ Only use the supplied mains cable.

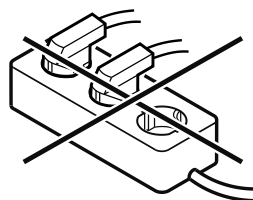


WARNING

Danger of fire due to incorrect connection!
Burns.

Damage to the appliance.

- ▶ Do not use an extension cable.
- ▶ Do not use distributor blocks.



NOTICE

Danger of damage to incorrect connection!
Damage to the appliance.

- ▶ Do not connect the appliance to a stand-alone inverter, e.g. solar power systems and petrol generators.

- ▶ Connect the mains cable plug to the power supply. Ensure that the plug is tightly in the socket.
- ▶ The Liebherr logo appears in the display.
- ▶ The display switches to the standby symbol.
- ▶ If no action occurs within 60 seconds: The standby symbol fades or disappears.

- ▶ The appliance is connected. For information regarding first use, see the following section or the operating instructions.

4 Functionality of the Touch & Swipe display

You operate your appliance using the Touch & Swipe display. You select appliance functions in the Touch & Swipe display (hereafter referred to as display) by tapping them. If you do not perform any action on the display for 10 seconds, the display either jumps back to the higher-level menu or directly to the status display.

4.1 Navigation and symbol explanation

In the illustrations, different symbols are used to navigate the display. The following table describes these symbols.

Symbol	Description
	Briefly touch the display: Activates/deactivates function. Confirms selection. Opens submenu.
	Touch the display for a specified time (e.g. 3 seconds): Activates/deactivates function or value.
	Swipe left or right: Navigate in the menu.
	Briefly touch the Back symbol: Jumps back one menu level.
	Press and hold the Back symbol for 3 seconds: Jumps back to the status display.
	Arrow with clock: It takes more than 10 seconds for the following message to appear in the display.
	Arrow with a time indication: It takes the specified amount of time until the following message appears in the display.
	“Open Settings menu” symbol: Navigates to the Settings menu and opens the settings menu. If necessary: Navigate to the desired function in the Settings menu. (see 4.2.1 Opening the Settings menu)

Putting into operation

Symbol	Description
	<p>“Open Advanced menu” symbol: Navigates to the Advanced menu and opens the advanced menu. If necessary: Navigate to the desired function in the Advanced menu. (see 4.2.2 Opening the expanded menu)</p>
No action for 10 seconds	If you do not perform any action on the display for 10 seconds, the display either jumps back to the higher-level menu or directly to the status display.
Close the door and open it again.	If you close the door and immediately open it again, the display jumps directly back to the status display.

Note: Illustrations of the display are shown in the English version.

4.2 Menus

The appliance functions are distributed over various menus:

Menu	Description
Main menu	When you switch the appliance on, you are automatically in the main menu. From here you can navigate to the most important appliance functions, to the Settings menu and to the Advanced menu.
 Settings menu	The Settings menu contains additional appliance functions for setting up your appliance.
Advanced menu	The advanced menu contains special appliance functions for setting up your appliance. Access to the Advanced menu is protected by the numerical code 151 .

4.2.1 Opening the Settings menu

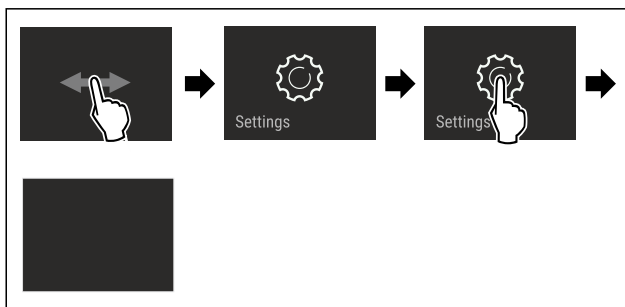


Fig. 73 Example illustration

- ▶ Carry out action steps according to the illustration.
- ▶ Settings menu is open.
- ▶ If necessary: Navigate to the desired function.

4.2.2 Opening the expanded menu



Fig. 74

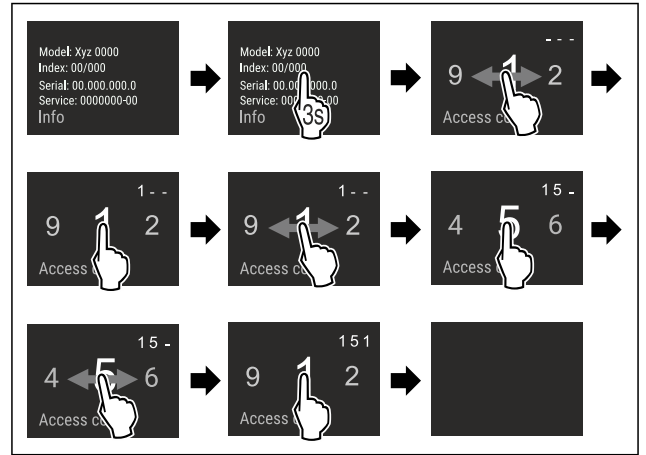


Fig. 75 Example illustration, access with numerical code **151**

- ▶ Carry out action steps according to the illustration.
- ▶ The expanded menu is open.
- ▶ If necessary: Navigate to the desired function.

4.3 Sleep mode

If you do not touch the display for 1 minute, the display switches to sleep mode. In sleep mode, the display brightness is dimmed.

4.3.1 Ending sleep mode

- ▶ Touch the display briefly with your finger.
- ▶ Sleep mode is ended.

5 Putting into operation

5.1 Switching on appliance (first use)

Make sure that the following requirements are fulfilled:

- The appliance is properly installed and connected according to the installation instructions.
- All adhesive strips, adhesive and protective films and transport locks are removed from inside and on the appliance.
- All marketing leaflets are removed from the drawers.
- You are familiar with the functionality of the Touch & Swipe display. (see 4 Functionality of the Touch & Swipe display)

Switch on the appliance using the Touch & Swipe display:

- ▶ If the display is in sleep mode: Briefly touch the display.
- ▶ Carry out action steps according to the illustration.

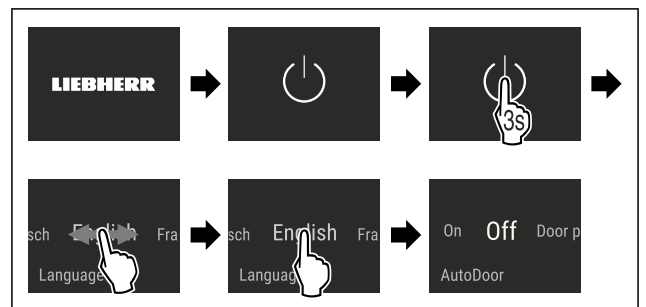


Fig. 76 Example illustration

- ▶ Activate AutoDoor. (see AutoDoor)
- or-
- ▶ Do not activate AutoDoor.

Note

If you do not activate AutoDoor, you can always open or close the door manually.

- ▷ Status display appears.
- ▷ The appliance cools to the temperature set at the factory.
- ▷ The appliance starts in demo mode (status display with DEMO appears): If the appliance starts in demo mode, you can deactivate demo mode within the next 5 minutes. (see Demo mode)

More information:

- Start the InfinitySpring for the first time. (see 5.2 Putting InfinitySpring into operation*) *
- Start the HydroBreeze for the first time. (see 5.3 Starting the HydroBreeze for the first time)
- Start the SmartDevice for the first time. (see 2.4 Smart-Device) and (see WiFi)

Note

The manufacturer recommends:

- ▶ Stock with food: Wait for around 6 hours until the set temperature is reached.
- ▶ **Store frozen foods** at -18 °C or colder.*
- ▶ Observe the notes on storing food. (see 6.1 Information regarding storage)

Note

Accessories can be purchased from the Liebherr-Hausgeräte store at home.liebherr.com/shop/de/deu/zubehor.html.

5.2 Putting InfinitySpring into operation*

If your appliance is equipped with an InfinitySpring, **before the first use** you must bleed the water system for the InfinitySpring and clean the InfinitySpring.

Make sure that the following requirements are fulfilled:

- The water supply is connected. See the Installation Guide or installation instructions.
- The water tank is fitted. See the Installation Guide or installation instructions.
- The water filter is fitted. See the Installation Guide or installation instructions.*
- Appliance is properly installed and connected.

5.2.1 Bleeding the water system

- ▶ Open the appliance door.
- ▶ Push a glass against the lower part of the InfinitySpring dispenser.
- ▷ The upper part moves out and air escapes or water flows into the glass.
- ▶ Continue until the water flows evenly into the glass.
- ▷ The water system is now bled.

5.2.2 Cleaning the InfinitySpring

(see 10.11.4 Cleaning the InfinitySpring *)

5.3 Starting the HydroBreeze for the first time

If your appliance is equipped with HydroBreeze, you must clean the HydroBreeze **before using it for the first time**.

Make sure that the following requirements are fulfilled:

- The appliance is properly installed and connected.
- ▶ Clean the HydroBreeze. (see 10.11.5 Cleaning the HydroBreeze)

- ▶ Fill the water tank. (see 9.10.1 Fill the water tank)
- ▶ Activate HydroBreeze. (see HydroBreeze)

6 Storage

6.1 Information regarding storage

**WARNING**

Fire hazard from electrical appliances!

If you use electrical appliances in the food area of your appliance, they can cause a fire.

- ▶ Do not use electrical appliances in the food area of the appliance unless recommended by the manufacturer.

Note

The energy consumption increases and the cooling power goes down if ventilation is not sufficient.

- ▶ Always keep air slots clear.

Observe the following specifications for storage:

- Keep the air vents on the fan free.
- In the freezer compartment: Package food properly.*
- Package or cover foods that readily take on or give off odours or taste in closed containers.
- Package raw meat or fish in clean, closed containers. This will prevent meat or fish from touching or dripping onto other food.
- Keep liquids in closed containers.
- Leave space between goods to ensure good air circulation.
- Store food according to the instructions on the packaging.
- Always observe the best-before date indicated on the packaging.

Note

Failure to follow these guidelines can lead to foodstuffs spoiling.

6.2 Fridge compartment

The air circulation in the appliance creates different temperature zones. You will find the different temperature zones in the appliance and equipment overview. (see 2.2 Overview of appliances and equipment)

6.2.1 Arranging your food properly

- ▶ Upper area and door: Store butter, cheese, tinned food and tubes.
- ▶ Coldest temperature zone: Store perishable foods such as pre-cooked meals.

6.3 BioFresh

BioFresh will extend the storage time for some fresh foods compared to traditional refrigeration.

Note

If the temperature drops below 0 °C foods may freeze.

- ▶ Store cold-sensitive produce such as cucumbers, aubergines, courgettes and tropical fruit in the fridge compartment.

Storage

6.3.1 Fruit & Vegetable safe

This safe creates a storage climate of close to 0 °C. The compartment lid ensures constant levels of humidity. This storage climate is suitable for storing unpackaged food with high intrinsic moisture (for example, lettuce, vegetables, fruit).

The humidity in the compartment depends on the moisture content of the chilled goods placed in it, and also depends on how often the compartment is opened. You can regulate the humidity level.

Arranging your food properly

- ▶ Store unpackaged fruit and vegetables.
If the humidity is too high:
- ▶ Regulate the humidity.

6.3.2 Meat & Dairy safe

This safe creates a storage climate of close to 0 °C. This storage climate is suitable for more sensitive foods (e.g. dairy products, meat, fish, sausage).

Arranging your food properly

- ▶ Store dry or packaged food.

6.4 ****-freezer compartment*

Here, a dry, frosty storage climate is created at -18 °C. The frosty storage climate is suitable for storing frozen food for several months, for making ice cubes or freezing fresh food.

The air temperature in the freezer compartment, measured with a thermometer or other measuring device, may fluctuate. Temperature fluctuations are greater in a half-full or empty freezer and it is possible to attain temperatures warmer than -18 °C.

6.4.1 Freezing food

The maximum amount of fresh food that you can freeze within 24 hours is specified on the type plate (see 11.5 Model plate) under "Freezing capacity ... kg/24h".

To ensure that food quickly freezes through, adhere to the following quantities per package:

- Fruit and vegetables up to 1 kg
- Meat up to 2.5 kg

Arranging your food properly



CAUTION

Risk of injury due to broken glass!
Bottles and cans containing drinks may burst when being frozen. This applies particularly to sparkling drinks.

- ▶ Do not freeze bottles and cans containing drinks!

- ▶ For maximum freezing performance: Remove glass plate before freezing.*
- ▶ Place packaged food in the freezer compartment.

Defrosting food



WARNING

Risk of food poisoning!
▶ Do not re-freeze thawed food.
▶ Use defrosted foodstuff as soon as possible.

You can defrost food in several ways:

- In the fridge compartment
- In the microwave

- In the oven/fan-assisted oven
 - At room temperature
- ▶ Take out only as much food as necessary.

6.5 Storage times

Refer to the specified storage times as a guide.

In the case of foods with a minimum shelf life, the date indicated on the packaging still applies.

6.5.1 Fridge section

Always follow the best-before date stated on the packaging.

6.5.2 BioFresh

Recommended storage periods in the Meat & Dairy-Safe		
Butter	at 1 °C	up to 90 days
Hard cheese	at 1 °C	up to 110 days
Milk	at 1 °C	up to 12 days
Sausage, cold meats	at 1 °C	up to 8 days
Poultry	at 1 °C	up to 6 days
Pork	at 1 °C	up to 6 days
Beef	at 1 °C	up to 6 days
Game	at 1 °C	up to 6 days

Note

- ▶ Remember that high-protein foods perish quicker; shellfish and crustaceans do not last as long as fish, and fish does not last as long as meat.

Recommended storage periods in the Fruit & Vegetable-Safe		
Vegetables, salads		
Artichokes	at 1 °C	up to 14 days
Celery	at 1 °C	up to 28 days
Cauliflower	at 1 °C	up to 21 days
Broccoli	at 1 °C	up to 13 days
Chicory	at 1 °C	up to 27 days
Lettuce	at 1 °C	up to 19 days
Peas	at 1 °C	up to 14 days
Kale	at 1 °C	up to 14 days
Carrots	at 1 °C	up to 80 days
Garlic	at 1 °C	up to 160 days
Turnip	at 1 °C	up to 14 days
Lettuce	at 1 °C	up to 13 days
Herbs	at 1 °C	up to 13 days
Leeks	at 1 °C	up to 29 days
Mushrooms	at 1 °C	up to 7 days
Radishes	at 1 °C	up to 10 days
Brussels sprouts	at 1 °C	up to 20 days
Asparagus	at 1 °C	up to 18 days
Spinach	at 1 °C	up to 13 days
Savoy	at 1 °C	up to 20 days

Recommended storage periods in the Fruit & Vegetable-Safe		
Fruit		
Apricots	at 1 °C	up to 13 days
Apples	at 1 °C	up to 80 days
Pears	at 1 °C	up to 55 days
Blackberries	at 1 °C	up to 3 days
Dates	at 1 °C	up to 180 days
Strawberries	at 1 °C	up to 7 days
Figs	at 1 °C	up to 7 days
Blueberries	at 1 °C	up to 9 days
Raspberries	at 1 °C	up to 3 days
Currants	at 1 °C	up to 7 days
Sweet cherries	at 1 °C	up to 14 days
Kiwis	at 1 °C	up to 80 days
Peaches	at 1 °C	up to 13 days
Plums	at 1 °C	up to 20 days
Cranberries	at 1 °C	up to 60 days
Rhubarb	at 1 °C	up to 13 days
Gooseberries	at 1 °C	up to 13 days
Grapes	at 1 °C	up to 29 days

6.5.3 Freezer compartment*

Recommended shelf-lives for various types of food		
Ice cream	at -18 °C	2 to 6 months
Cold cuts, ham	at -18 °C	2 to 3 months
Bread, baked goods	at -18 °C	2 to 6 months
Game, pork	at -18 °C	6 to 9 months
Fatty fish	at -18 °C	2 to 6 months
Lean fish	at -18 °C	6 to 8 months
Cheese	at -18 °C	2 to 6 months
Poultry, beef	at -18 °C	6 to 12 months
Vegetables, fruit	at -18 °C	6 to 12 months

7 Saving energy

- Pay attention to good ventilation. Do not cover ventilation holes or grids.
- Always keep the fan air slits clear.
- Do not install the appliance in direct sunlight or near radiators or similar sources of heat.
- If the appliance is installed directly next to an oven, the energy consumption may increase slightly. This is dependent on the service life and usage intensity of the oven.
- Energy consumption depends on the installation conditions, e.g. the ambient temperature. A warmer ambient temperature can increase the energy consumption.
- Open the appliance for as short a time as possible.
- The lower the temperature is set the higher the energy consumption.
- Sort your food: home.liebherr.com/food.

- Keep all food properly packed and covered. This prevents frost from forming.
- Only take food out for as long as necessary so that it doesn't warm up too much.
- Inserting warm food: allow to cool down to room temperature first.
- Thaw frozen food in the refrigerator.*
- If there is a thick layer of frost in the appliance: defrost the appliance.*
- For longer periods of absence, use HolidayMode (see HolidayMode).

8 Controls

8.1 Controls and displays

8.1.1 Status display

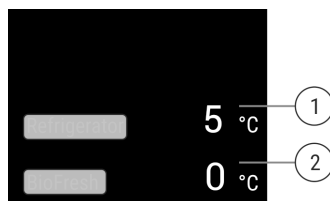


Fig. 77 The status display shows the actual temperature.

- (1) Temperature display of the fridge section (2) Temperature display BioFresh

The status display shows the actual temperature and is the initial display. Navigation to the functions takes place from there.

8.1.2 Display symbols

Display symbols provide information on the current appliance status:

Symbol	Appliance status
	Standby The appliance or temperature zone is switched off.
	Flashing number Appliance is working. Temperature flashes until the set temperature is reached.
	Flashing symbol Appliance is working. Setting is made.

8.2 Appliance functions

8.2.1 Notes on the appliance functions

The appliance functions are set at the factory so that your appliance is fully functional.

Before you alter, activate or deactivate the device functions, make sure that the following requirements are met:

- You have read and understood the descriptions of how the display works. (see 4 Functionality of the Touch & Swipe display)
- You have familiarised yourself with the operating and display elements of your appliance.

Controls



Switching the appliance off and on

Use this function to switch the entire appliance off and on.

Switching off the appliance

When you switch the appliance off, then the previously saved settings are saved.

Make sure that the following requirements are fulfilled:

- ❑ Handling instructions (see 12 Shutting down) are carried out.

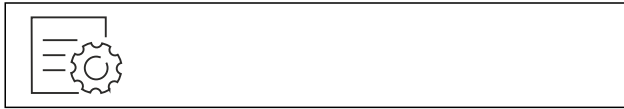


Fig. 78

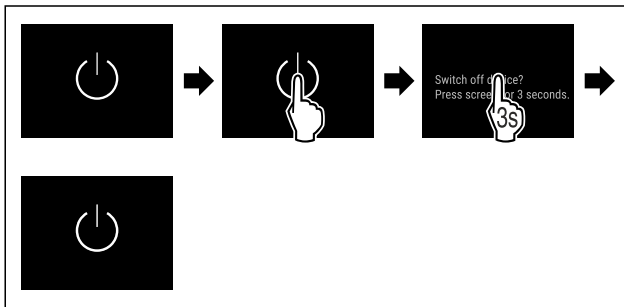


Fig. 79

- ▶ Carry out action steps according to the illustration.
- ▶ Appliance is switched off.
- ▶ The standby symbol appears in the display.
- ▶ Display turns black.

Switching on the appliance

If the display is in sleep mode:

- ▶ Briefly touch the display.

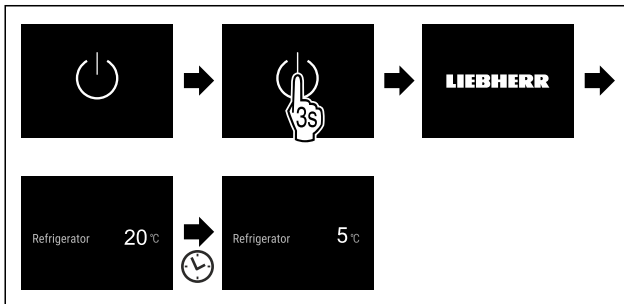


Fig. 80 Example illustration

- ▶ Carry out action steps according to the illustration.
- ▶ When the appliance starts in demo mode:
 - ▶ Deactivating demo mode. (see Deactivating demo mode)
 - ▶ The appliance is switched on.
 - ▶ Previous settings are restored.
 - ▶ The appliance cools to the target temperature set.



Temperature

Use this function to set the temperature.

The temperature depends on the following factors:

- Frequency of door opening
- Duration of door opening
- Room temperature of the installation site
- Type, temperature and quantity of food

Temperature zone	Factory-set temperature	Recommended setting
5 °C Fridge section	5 °C	4 °C
0 °C BioFresh	0 °C	B-Value (see BioFresh B-Value)

Setting the temperature in the fridge section

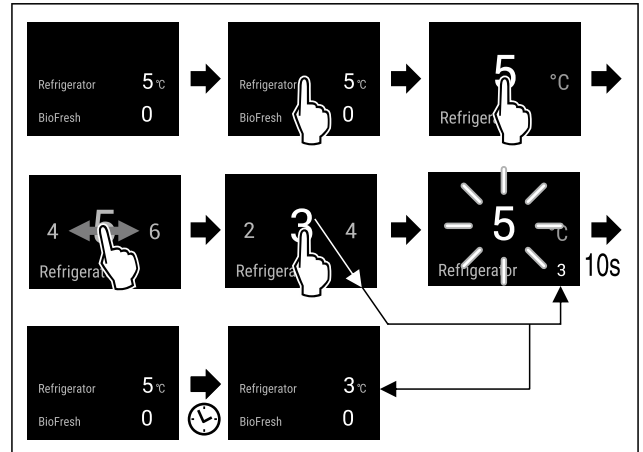


Fig. 81 Example illustration

- ▶ Carry out action steps according to the illustration.
- ▶ Temperature is set.

Setting the temperature in BioFresh

Set the temperature using the **BioFresh B-Value**. (see BioFresh B-Value)

B5 BioFresh B-Value

Use this function to set the BioFresh B-Value. With the BioFresh B-Value, you can set BioFresh slightly warmer or colder if necessary due to higher or lower ambient temperatures. The BioFresh B-Value is pre-set to value B5 as delivered. If you change the B-Value, refer to the following table:

Value	Description
B1	Lowest temperature
B1-B4	The temperature can drop below 0 °C which means foods can easily freeze.*
B5	Pre-set temperature
B9	Highest temperature

Setting the BioFresh B-Value



Fig. 82

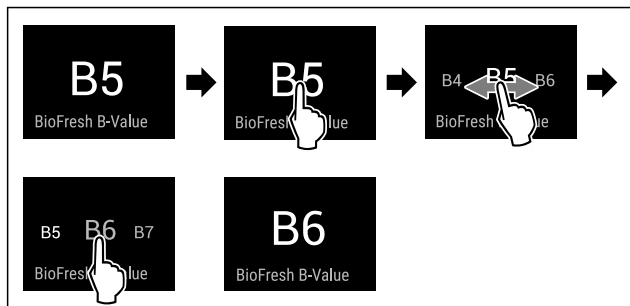


Fig. 84 Example illustration: Switch from B5 to B6.

- ▶ Carry out action steps according to the illustration.
- ▶ The BioFresh B-Value is set.
- ▶ Status display shows target temperature.

C5 C-Value*

Use this function to set the C-Value. You can use the C-Value to make the **** freezer compartment slightly warmer or colder. The C-Value is pre-set to value C5 as delivered.

Value	Description
C1 to C4	**** freezer compartment gets colder.
C5	Pre-set value
C6 to C9	**** freezer compartment gets warmer.

Setting the C-Value



Fig. 85

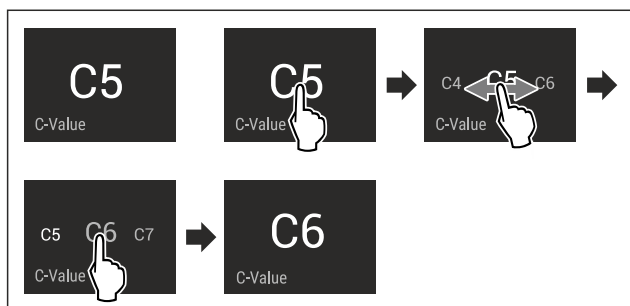


Fig. 87 Example illustration: Switch from C5 to C6.

- ▶ Carry out action steps according to the illustration.
- ▶ The C-Value is set.

D1 D-Value

The D-Value is pre-set for your appliance and is not permitted to be changed.

AutoDoor

Use this function to activate and configure AutoDoor when commissioning the device or at a later time. If you have already activated and configured AutoDoor, deactivate AutoDoor with this function. This function can also be used to configure the door opening angle.

If AutoDoor is activated, the door can be opened in different ways:

- by knocking signal

- by smartphone
- by voice command

Note

If you do not activate AutoDoor, you can always open or close the door manually.

If the function is active, the device operates at higher power. As a result, the device's operating noise may be temporarily louder and energy consumption will increase.



Activating and configuring AutoDoor for the first time

Activate and configure AutoDoor for the first time either directly during **commissioning** of the device or at a later time.



Fig. 88

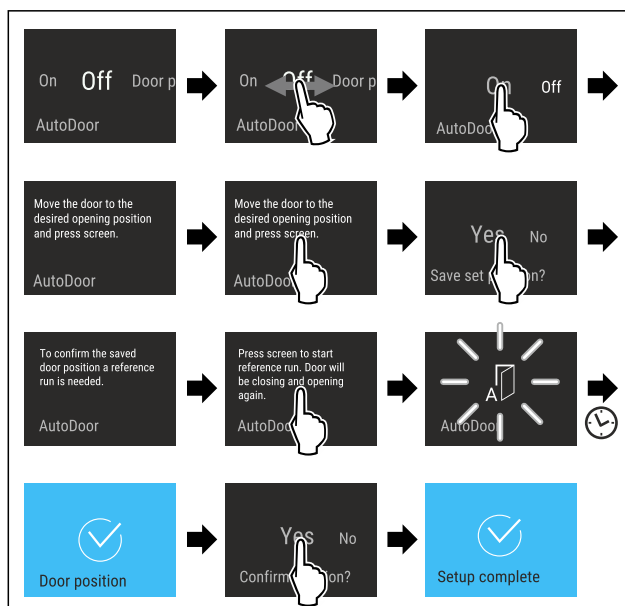


Fig. 89

- ▶ Carry out the steps shown in the illustration until the display prompts you to move the door to the desired position.
- ▶ To configure the door opening angle: Open door at least 70°.
- ▶ Ensure that the door does not touch any neighbouring furniture or walls.
- ▶ To confirm the door opening angle: Touch the display for a short time as per the illustration.
- ▶ To save the door opening angle: Confirm the message in the display as shown.



CAUTION

Risk of injury from automatic opening and closing of the door!

- ▶ Keep the door opening area clear.
- ▶ Do not reach into the hinge with your hand.
- ▶ Do not block the door.

NOTICE

Damage to the drawers and telescopic rails from automatic closing of the door!

- ▶ Before the door closes: Push the drawers all the way in.
- ▶ Before the door closes and when drawer has been removed: Push the telescopic rails all the way in.



Fig. 90

To set the door opening angle, the device must perform a reference run of the door.

- ▶ To start a reference run: Touch the display for a short time as per the illustration.
- ▶ Reference run starts.
- ▶ AutoDoor symbol flashes.
- ▶ If reference run is successful: Display turns blue for 2 seconds.
- ▶ A confirmation signal sounds.
- ▶ Confirm the message in the display as shown.
- ▶ Display turns blue.
- ▶ A confirmation signal sounds.
- ▶ AutoDoor configuration is complete.
- ▶ Door can be opened by knocking signal.



Deactivating and activating AutoDoor

You have already activated and configured AutoDoor. You wish to deactivate and activate AutoDoor.

Deactivating AutoDoor

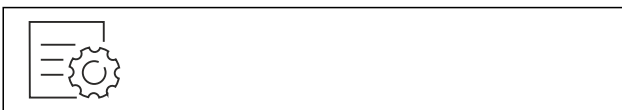


Fig. 91

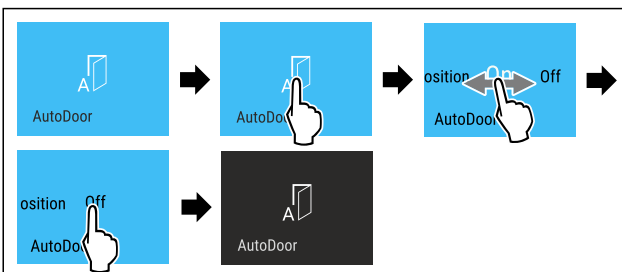


Fig. 92

- ▶ Carry out action steps according to the illustration.
- ▶ AutoDoor is deactivated.
- ▶ Door can be opened manually by hand.

Activating AutoDoor



Fig. 93

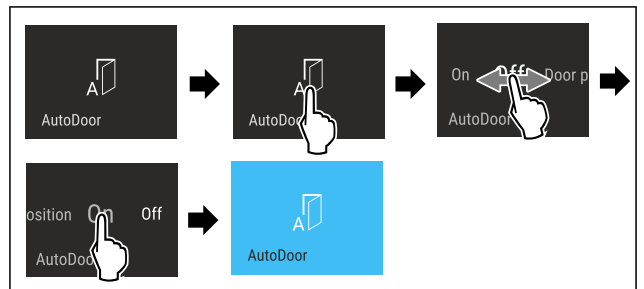


Fig. 94

- ▶ Carry out action steps according to the illustration.
- ▶ AutoDoor is activated.
- ▶ Door can be opened by knocking signal.
- ▶ Previously set door opening angle is still saved.



Changing the door opening angle

You have already configured a door opening angle and you wish to change it.



Fig. 95

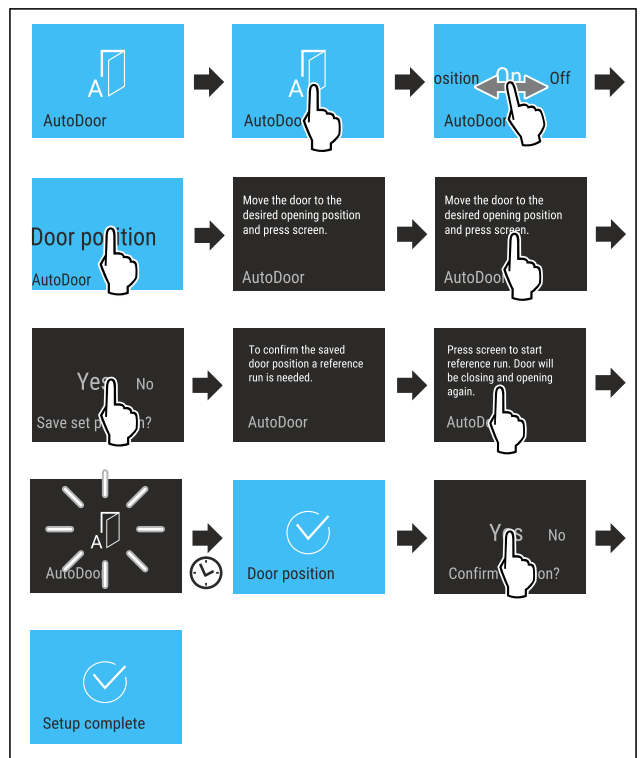


Fig. 96

- ▶ Carry out the steps shown in the illustration until the display prompts you to move the door to the desired position.
- ▶ To configure the door opening angle: Open door at least 70°.
- ▶ Ensure that the door does not touch any neighbouring furniture or walls.

- ▶ To confirm the door opening angle: Touch the display for a short time as per the illustration.
- ▶ To save the door opening angle: Confirm the message in the display as shown.

CAUTION

Risk of injury from automatic opening and closing of the door!

- ▶ Keep the door opening area clear.
- ▶ Do not reach into the hinge with your hand.
- ▶ Do not block the door.

NOTICE

Damage to the drawers and telescopic rails from automatic closing of the door!

- ▶ Before the door closes: Push the drawers all the way in.
- ▶ Before the door closes and when drawer has been removed: Push the telescopic rails all the way in.



Fig. 97

To set the door opening angle, the device must perform a reference run of the door.

- ▶ To start a reference run: Touch the display for a short time as per the illustration.
- ▶ Reference run starts.
- ▶ AutoDoor symbol flashes.
- ▶ If reference run is successful: Display turns blue for 2 seconds.
- ▶ A confirmation signal sounds.
- ▶ Confirm the message in the display as shown.
- ▶ Display turns blue.
- ▶ A confirmation signal sounds.
- ▶ Door opening angle is configured.

Adjusting the sensitivity of the knocking signal

You can use a switch Fig. 98 (1) to adjust the sensitivity of the knocking sensor. The switch is on the bottom third of the door on the hinge side.

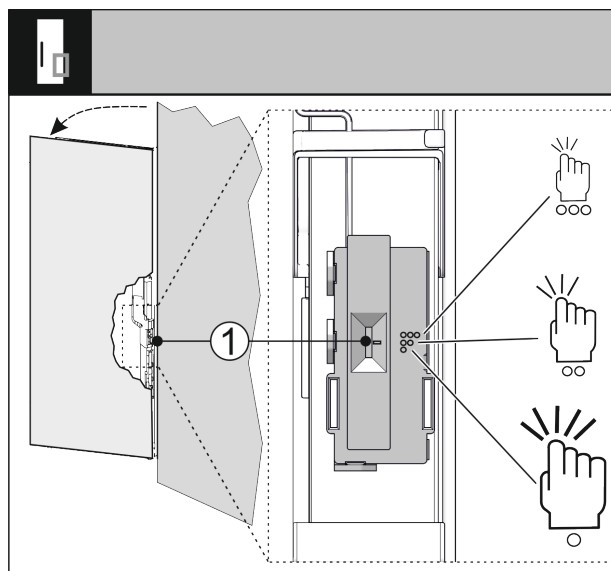


Fig. 98

Switch position	Symbol	Importance
Top	○○○	High sensitivity, gentle knocking sufficient.
Middle	○○	Moderate sensitivity, normal knocking required. This setting is the default.
Bottom	○	Less sensitive, strong knocking required.

- ▶ Move the switch Fig. 98 (1) to the required switch position.
- ▶ The sensitivity is set.



Using AutoDoor with a smartphone

You wish to use the smartphone for opening and closing.

- ▶ Activate and configure AutoDoor. (see Activating and configuring AutoDoor for the first time)
- ▶ Install the SmartDevice app on your smartphone.
- ▶ Establishing WLAN connection on the device. (see WiFi)
- ▶ To register the device in the SmartDevice app: Follow the instructions in the SmartDevice app.
- ▶ Door can be opened by smartphone in addition to the knocking signal.



Using AutoDoor with voice command

You want to use a voice command for opening and closing.

- ▶ Activate and configure AutoDoor. (see Activating and configuring AutoDoor for the first time)
- ▶ Install the SmartDevice app on your smartphone.
- ▶ Establishing WLAN connection on the device. (see WiFi)
- ▶ To register the device in the SmartDevice app: Follow the instructions in the SmartDevice app.
- ▶ Install voice assistant.
- ▶ Door can be opened by voice assistant in addition to the knocking signal.



You can find further information and tutorials at:

home.liebherr.com/faq-autodoor

Controls



SuperCool

You can use this function to activate or deactivate SuperCool. If SuperCool is activated, then the appliance increases the cooling capacity. It allows you to achieve lower cooling temperatures. You can activate SuperCool when you would like to cool a large quantity of food quickly.

If SuperCool is activated, then lower temperatures are reached in the **** freezer compartment. You can activate SuperCool when you would like to freeze food in the **** freezer compartment.*

If the function is active, the appliance operates at higher power. As a result, the appliance's operating noise may be temporarily louder and energy consumption will increase.

Activating SuperCool

Time for activation of the function:

- When you would like to store fresh food in the fridge section: Activate the function when inserting food.
- When you would like to store fresh food in the **** freezer compartment: Activate function 3 hours before inserting the food.*



Fig. 99

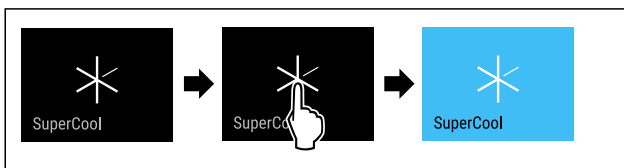


Fig. 100

- ▶ Carry out action steps according to the illustration.

-or-

- ▶ Activate with the SmartDevice app.

- ▷ SuperCool is activated.
- ▷ The temperature display turns blue.

Deactivating SuperCool

SuperCool is deactivated automatically after 18 hours. However, you can also deactivate SuperCool manually at any time:

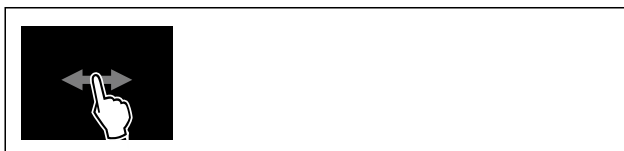


Fig. 101

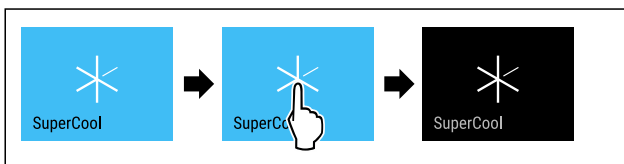


Fig. 102

- ▶ Carry out action steps according to the illustration.

-or-

- ▶ Deactivate with the SmartDevice app.

- ▷ SuperCool is deactivated.
- ▷ The appliance continues to run in normal mode.
- ▷ The appliance cools to the temperature set previously.



PartyMode

You can use this function to activate or deactivate PartyMode. PartyMode activates various functions that are useful for a party.

PartyMode activates the following functions:

- SuperCool (see SuperCool)

You can adjust all listed functions individually and flexibly. When you deactivate PartyMode, all changes are discarded.

If the function is active, the device operates at higher power. As a result, the device's operating noise may be temporarily louder and energy consumption will increase.

Activating PartyMode



Fig. 103

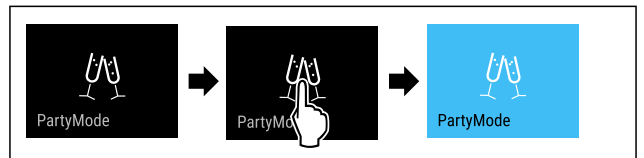


Fig. 104

- ▶ Carry out action steps according to the illustration.
- ▷ PartyMode and the associated functions are activated.
- ▷ The temperature display turns blue.
- ▷ The current temperature flashes until the target temperature is reached.

Deactivating PartyMode

The PartyMode is automatically deactivated after 24 seconds. However, you can also deactivate PartyMode manually at any time:

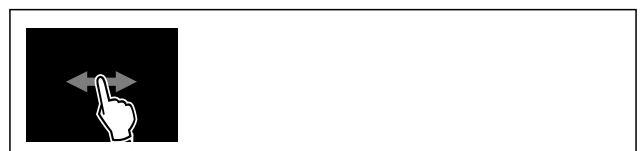


Fig. 105

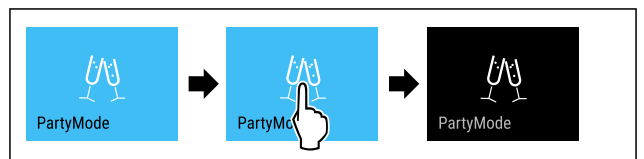


Fig. 106

- ▶ Carry out action steps according to the illustration.
- ▷ PartyMode is deactivated.
- ▷ The appliance cools to the temperature set previously: The current temperature flashes until the target temperature is reached.



HolidayMode

You can use this function to activate or deactivate HolidayMode. If you activate HolidayMode, the fridge section is set to 15 °C. This saves you energy during longer periods of absence and prevents bad odours and growth of mould.

Appliance status when HolidayMode is active
Fridge section cools to 15 °C.
BioFresh cools to 15 °C.
The set temperature is maintained in the **** freezer compartment.*
PartyMode is deactivated.
SuperCool is deactivated.

Activating HolidayMode

- ▶ Empty the fridge section completely.
- ▶ Empty BioFresh completely.



Fig. 107

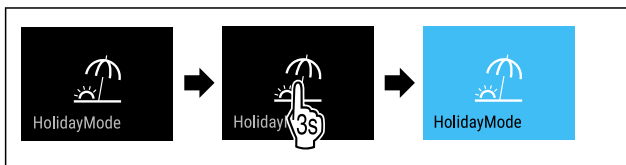


Fig. 108

- ▶ Carry out action steps according to the illustration.
- ▶ HolidayMode is activated.
- ▶ Temperature display turns blue and shows HolidayMode symbol.

Deactivating HolidayMode



Fig. 109

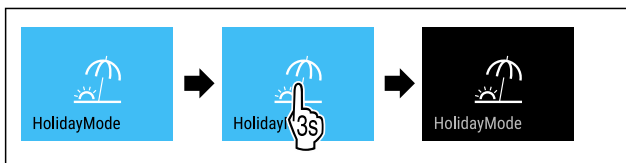


Fig. 110

- ▶ Carry out action steps according to the illustration.
- ▶ HolidayMode is deactivated.
- ▶ The appliance cools to the temperature set previously.

SabbathMode

You can use this function to activate or deactivate SabbathMode. If you activate this function, some electronic functions are switched off. As a result, your device meets the religious requirements for Jewish holidays such as Sabbath and complies with STAR-K Kosher certification.

Device status when SabbathMode is active
The status display shows SabbathMode permanently.
All functions on the display are locked except for the Deactivate SabbathMode function.
Active functions remain active.

Device status when SabbathMode is active
The display remains bright when you close the door.
The interior lighting is deactivated.
Reminders are not implemented. The set time interval stops.
Reminders and warnings are not displayed.
There is no door alarm.
There is no temperature alarm.
The InfinitySpring is switched off.*
The defrosting cycle operates only for the specified time, without considering the appliance consumption.
After a power failure, the appliance returns to SabbathMode.

Device status

Note

This appliance has certification from the "Institute for Science and Halacha". (www.machonhalacha.co.il)

You can find a list of STAR-K-certified appliances at www.star-k.org/appliances.

Activating SabbathMode



WARNING

Danger of food poisoning from spoiled food!
If you have SabbathMode activated and a power failure occurs, no message appears in the status display about the power failure. Once the power is restored, the appliance continues to operate in SabbathMode. The power failure may mean that food spoils and the consumption of this food could lead to food poisoning.

After a power failure:

- ▶ Do not consume food that was frozen and has thawed out.

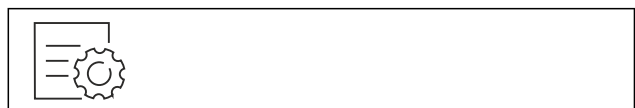


Fig. 111

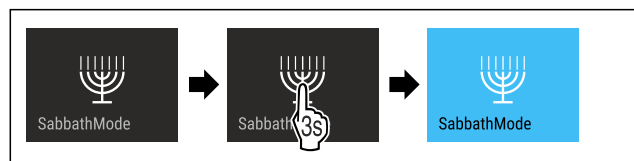


Fig. 112

- ▶ Carry out action steps according to the illustration.
- ▶ SabbathMode is activated.
- ▶ The status display shows SabbathMode permanently.

Deactivating SabbathMode

The SabbathMode is automatically deactivated after 80 hours. However, you can also deactivate SabbathMode manually at any time:

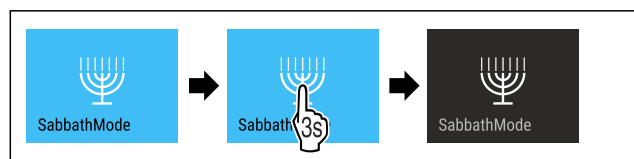


Fig. 113

- ▶ Carry out action steps according to the illustration.

Controls

▷ SabbathMode is deactivated.



EnergySaver

You can use this function to activate or deactivate Energy saving mode. If energy saving mode is activated, the energy consumption decreases and the temperature in the device increases. The food remains fresh, but the shelf life is shortened.

Temperature zone	Recommended setting (see Setting the temperature in the fridge section)	Temperature with active EnergySaver
5 °C Fridge section	4 °C	7 °C

Temperatures

Activating EnergySaver



Fig. 114

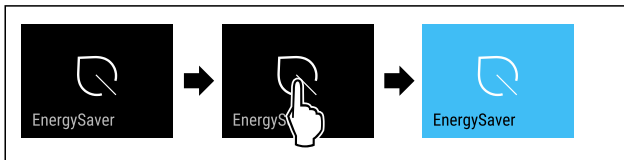


Fig. 115

- ▶ Carry out action steps according to the illustration.
- ▷ Energy saving mode is activated.

Deactivating EnergySaver



Fig. 116

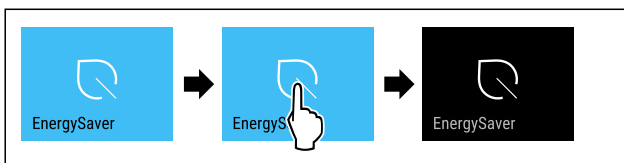


Fig. 117

- ▶ Carry out action steps according to the illustration.
- ▷ Energy saving mode is deactivated.



HydroBreeze

You can use this function to activate or deactivate HydroBreeze. If you activate the function, HydroBreeze generates a fine, cool mist in BioFresh-safe. This extends the shelf life of unpackaged salad, vegetables and fruit with high intrinsic moisture.

If you activate the function, HydroBreeze activates every 90 minutes for 4 seconds when the door is closed. When you open the door, HydroBreeze activates according to the setting:

Value	Description
1	HydroBreeze is active for 4 seconds when the door is open.
2	HydroBreeze is active for 6 seconds when the door is open.
3	HydroBreeze is active for 8 seconds when the door is open.
Deactivated (pre-setting)	HydroBreeze is deactivated.

HydroBreeze duration when the door is open

Activating HydroBreeze

Note

If you activate HydroBreeze but there is no food in the drawer, condensate forms on the base of the drawer.

- ▶ Only activate HydroBreeze if you are storing food in the drawer.

Make sure that the following requirements are fulfilled:

- The HydroBreeze is clean. (see 10.11.5 Cleaning the HydroBreeze)
- The water tank is full. (see 9.10.1 Fill the water tank)

Activate HydroBreeze by selecting a value for the HydroBreeze duration:



Fig. 118

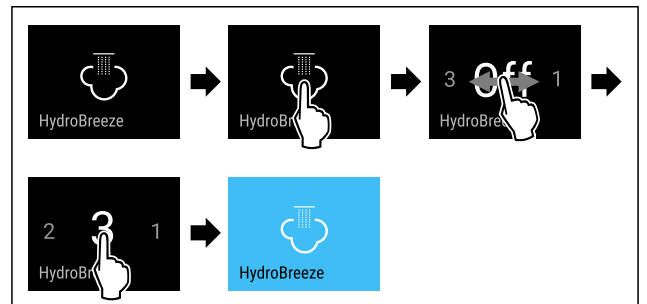


Fig. 119 Example illustration: Activate HydroBreeze with value 3.

- ▶ Carry out action steps according to the illustration.
- ▷ HydroBreeze is activated.

Deactivating HydroBreeze



Fig. 120

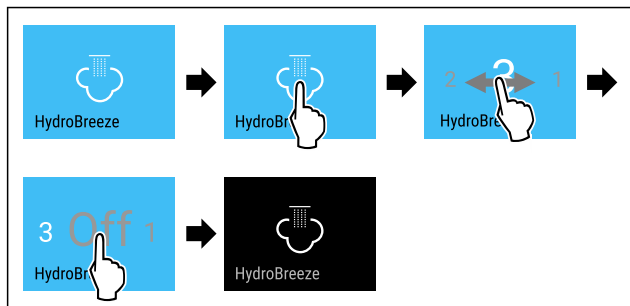


Fig. 121

- ▶ Carry out action steps according to the illustration.
- ▷ HydroBreeze is deactivated.

CleaningMode

You can use this function to activate or deactivate CleaningMode. CleaningMode enables the appliance to be cleaned conveniently.

This setting applies to the fridge section.

Application:

- Clean the fridge section. (see 10.11 Cleaning the appliance)
- Clean the InfinitySpring. (see 10.11.4 Cleaning the InfinitySpring *) *

Device status when CleaningMode is active
The status display shows CleaningMode permanently.
The fridge section is switched off.
Interior lighting is activated.
The reminders and warnings are not displayed. No signal tone sounds.
The InfinitySpring is switched off.*

Device status

Activating CleaningMode



Fig. 122



Fig. 123

- ▶ Carry out action steps according to the illustration.
- ▷ CleaningMode is activated.
- ▷ The status display shows CleaningMode permanently.

Deactivating CleaningMode

CleaningMode is deactivated automatically after 60 minutes. However, you can also deactivate CleaningMode manually at any time:



Fig. 124

- ▶ Carry out action steps according to the illustration.
- ▷ CleaningMode is deactivated.
- ▷ The appliance cools to the temperature set previously.

Input lock

You can use this function to activate or deactivate the input lock. The input lock prevents the appliance being operated accidentally, e.g. by children.

Application:

- Avoid unintentional modification of functions.
- Avoid unintentional switching off of the device.
- Avoid unintentional temperature setting.

Activating the input lock

If you activate the input lock, you can continue to navigate in the menus but you cannot select or change other functions.



Fig. 125

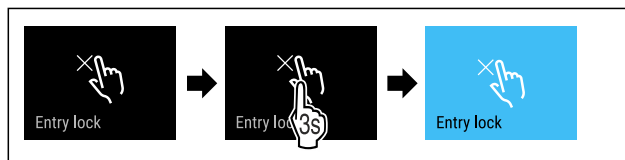


Fig. 126

- ▶ Carry out action steps according to the illustration.
- ▷ Input lock is activated.

Deactivating the input lock



Fig. 127

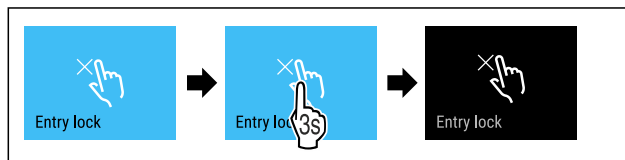


Fig. 128

- ▶ Carry out action steps according to the illustration.
- ▷ Input lock is deactivated.

Reminder

Use this function to activate or deactivate the reminders. The function is activated on delivery.

If the function is activated, the following reminders will appear:

- Replace the water filter (see Replace the water filter*) *
- Replace the FreshAir activated carbon filter (see Replace the FreshAir activated carbon filter)

Activating the reminder



Controls

Fig. 129

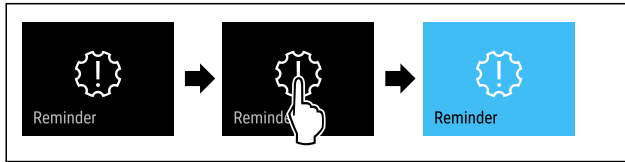


Fig. 130

- ▶ Carry out action steps according to the illustration.
- ▶ Reminder is activated.

Deactivating the reminder



Fig. 131

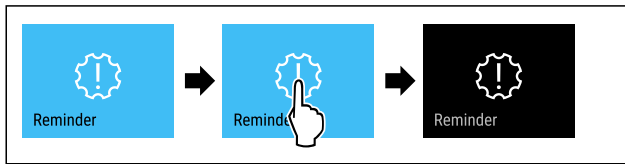


Fig. 132

- ▶ Carry out action steps according to the illustration.
- ▶ Reminder is deactivated.



Language

Use this function to set the display language.

You can select the following languages:

- Deutsch
- English
- Français
- Español
- Italiano
- Nederlands
- Čeština
- Polski
- Português
- Bulgarian
- Русский
- 温度单位

Setting the language

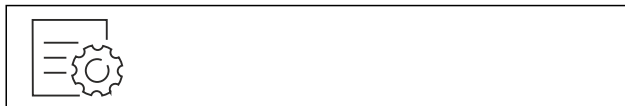


Fig. 133

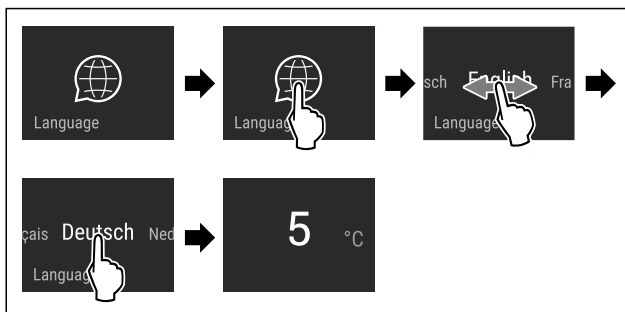


Fig. 134 Example illustration depending on the language and temperature

- ▶ Carry out action steps according to the illustration.

- ▶ The language is set.
- ▶ The display returns to the status display.



Temperature unit

Use this function to set the temperature unit. You can set degrees Celsius or degrees Fahrenheit as the temperature unit.

Setting the temperature unit



Fig. 135

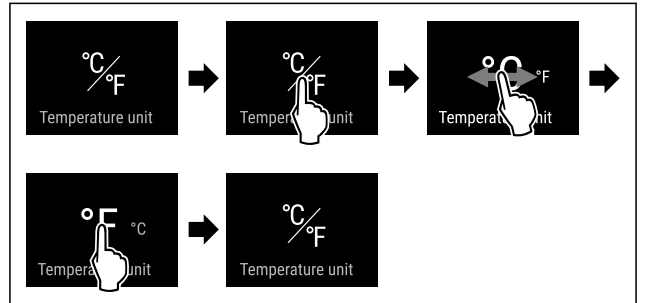


Fig. 137 Example illustration: Switch from degrees Celsius to degrees Fahrenheit.

- ▶ Carry out action steps according to the illustration.
- ▶ The temperature unit is set.



Display brightness

Use this function to set the display brightness in stages.

You can select the following brightness levels:

- 40 %
- 60 %
- 80 %
- 100 % (pre-setting)

Setting the brightness



Fig. 138

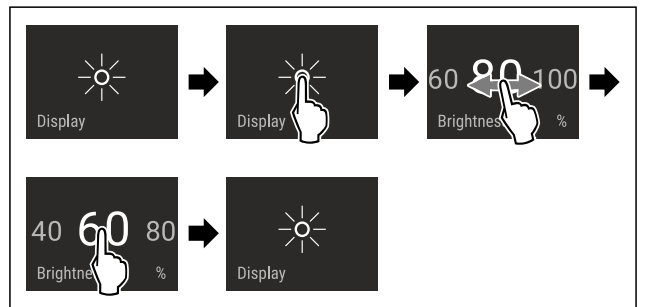


Fig. 139 Example illustration: Switch from 80 % to 60 %.

- ▶ Carry out action steps according to the illustration.
- ▶ The brightness is set.

AutoDoor tone

You can use this function to activate or deactivate the AutoDoor tone. The AutoDoor tone is activated on delivery.

Activating the AutoDoor tone



Fig. 140

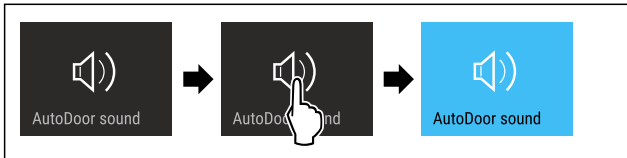


Fig. 141

- ▶ Carry out action steps according to the illustration.
- ▷ AutoDoor tone is activated.

Deactivating the AutoDoor tone



Fig. 142

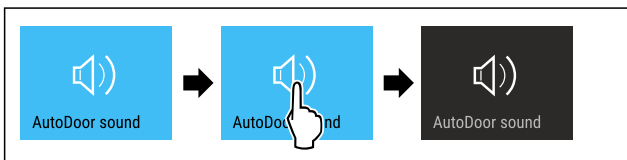


Fig. 143

- ▶ Carry out action steps according to the illustration.
- ▷ AutoDoor tone is deactivated.

WiFi

Use this function to connect your appliance to WiFi. You can then operate it via the SmartDevice app on a mobile device. You can also use this function to disconnect or reset the WiFi connection.

More information on the SmartDevice: (see 2.4 SmartDevice)

Note

The SmartDevice function is not available in the following countries: Russia, Belarus, Kazakhstan.

Establishing the WiFi connection for the first time

Make sure that the following requirements are fulfilled:

- You have installed the SmartDevice app (see apps.home.liebherr.com).
- Registration in the SmartDevice app is completed.



Fig. 144

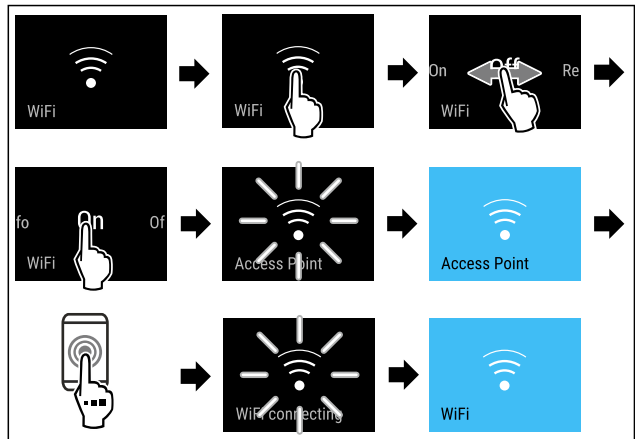


Fig. 145

- ▶ Carry out action steps according to the illustration.
- ▷ Connection is established.

Disconnecting from the WiFi



Fig. 146

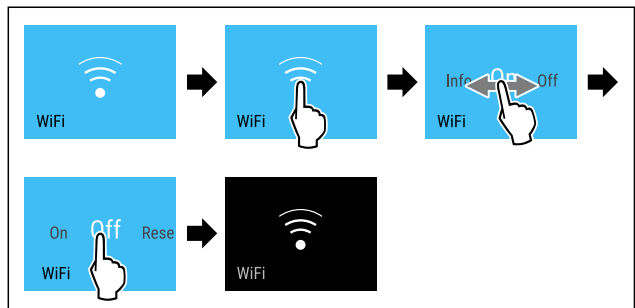


Fig. 147

- ▶ Carry out action steps according to the illustration.
- ▷ There is no connection.

Resetting the WiFi connection



Fig. 148

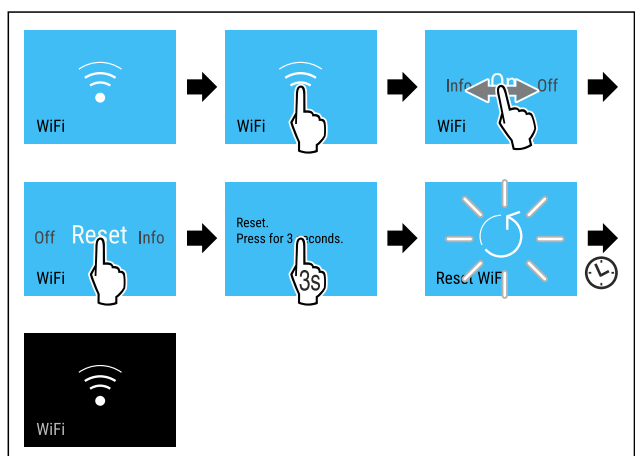


Fig. 149

- ▶ Carry out action steps according to the illustration.
- ▷ WiFi connection and other WiFi settings are reset to factory settings.

Controls

Showing information about the WiFi connection



Fig. 150

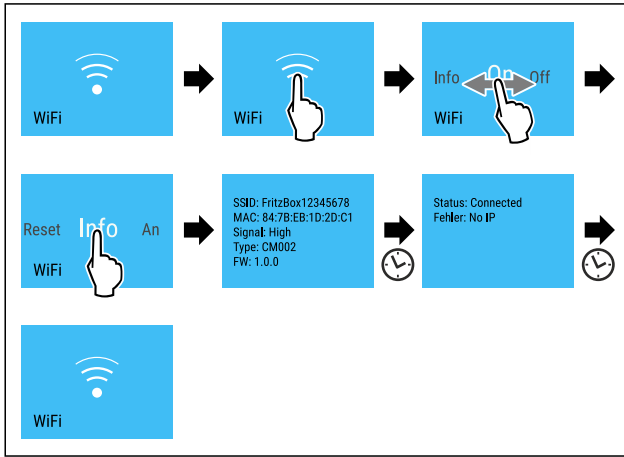


Fig. 151

- ▶ Carry out action steps according to the illustration.



Device information

Use this function to indicate the model name, index, serial number and service number of your device. You will need the device information when you contact customer service. (see 11.4 Customer Service)

This function also opens the Advanced menu. (see 4 Functionality of the Touch & Swipe display)

Indicating the device information



Fig. 152



Fig. 153

- ▶ Carry out action steps according to the illustration.
- ▶ Display indicates device information.



Software

Use this function to indicate the software version of your device.

Indicating the software version



Fig. 154

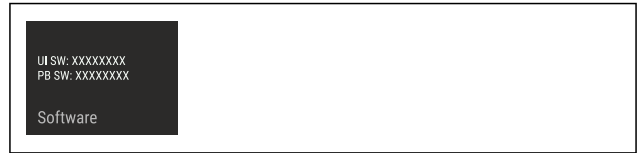


Fig. 155

- ▶ Carry out action steps according to the illustration.
- ▶ Display indicates software version.



Door alarm

Use this function to activate or deactivate the door alarm. The door alarm sounds if the door is open for too long. The door alarm is activated on delivery. You can set how long the door may be open before the door alarm sounds.

The following values can be set:

- 1 minute
- 2 minutes
- 3 minutes
- Off

Setting the door alarm



Fig. 156

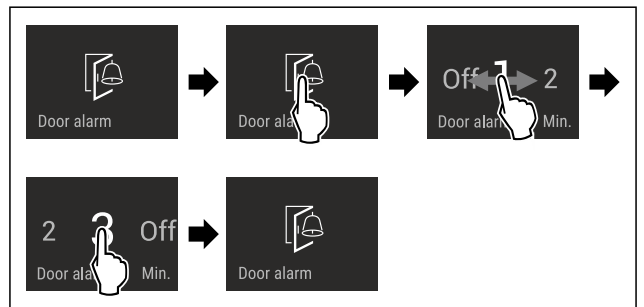


Fig. 157 Example illustration: Change door alarm from 1 minute to 3 minutes.

- ▶ Carry out action steps according to the illustration.
- ▶ The door alarm is set.

Deactivating the door alarm

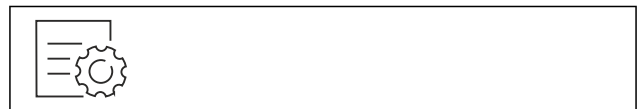


Fig. 159

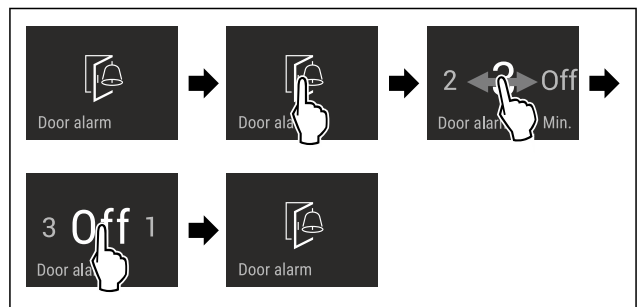


Fig. 160

- ▶ Carry out action steps according to the illustration.
- ▶ The door alarm is deactivated.

Demo mode

Demo mode is a special feature for dealers who want to demonstrate appliance features. If you activate demo mode, all refrigeration functions are deactivated.

If you switch on your appliance and "Demo" appears in the status display, then demo mode is already activated.

If you activate and then deactivate demo mode, the appliance will be reset to factory defaults. (see Resetting to factory settings)

Activating demo mode



Fig. 161

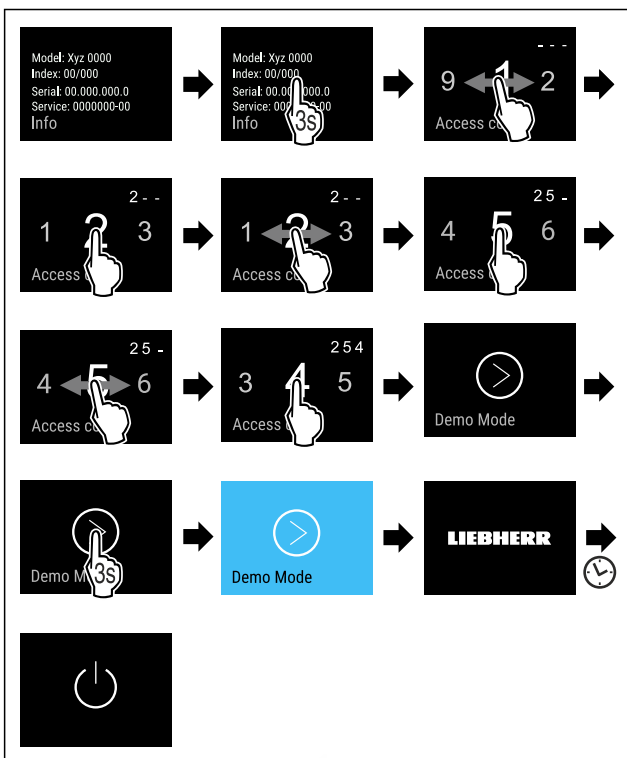


Fig. 162

- ▶ Carry out action steps according to the illustration.
- ▶ Demo mode is activated.
- ▶ Appliance is switched off.
- ▶ Switch on the appliance. (see 5.1 Switching on appliance (first use))
- ▶ "DEMO" appears in the status display.

Deactivating demo mode

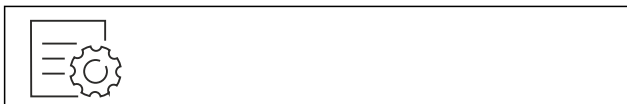


Fig. 163

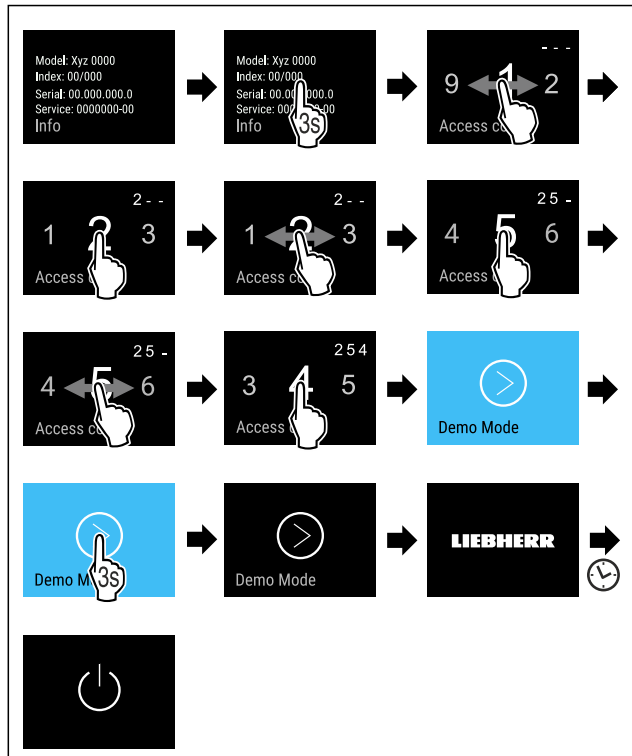


Fig. 164

- ▶ Carry out action steps according to the illustration.
- ▶ Demo mode is deactivated.
- ▶ Appliance is switched off.
- ▶ Switch on the appliance. (see 5.1 Switching on appliance (first use))
- ▶ Appliance is reset to factory settings.

Resetting to factory settings

Use this function to reset all settings to factory defaults. All settings you have made so far are reset to their original settings.

Performing a reset



Fig. 165

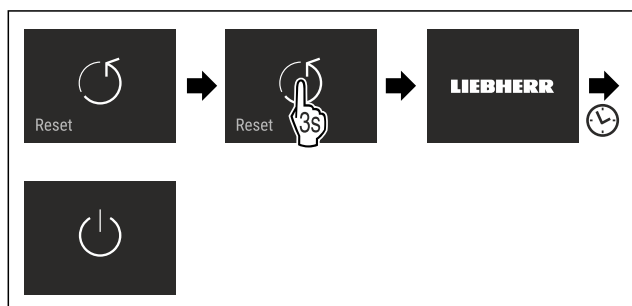


Fig. 166

- ▶ Carry out action steps according to the illustration.
- ▶ Device is reset.
- ▶ Device is switched off.
- ▶ Restart the device. (see 5.1 Switching on appliance (first use))

Controls

8.3 Messages



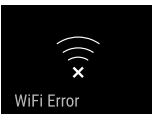
There are two categories of messages:

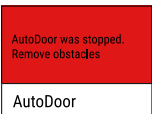
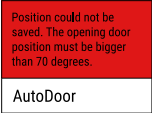
Category	Importance
Warning	Warnings appear in the event of a door alarm or malfunction. Simple warnings can be cancelled by yourself. In the event of serious malfunctions, you must contact customer service. (see 11.4 Customer Service)
Reminder	Reminders remind you of general processes. You can carry out these operations to end the message.

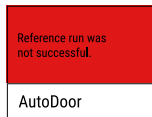
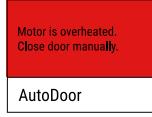
8.3.1 Overview of warnings

Behaviour of the appliance in the event of warnings:

- Warning appears in red on the display.
- The alarm tone sounds at an ever-increasing volume.
- The interior lighting pulsates for some warnings.

Message	Cause	Exit the message
 Close the door. Door alarm	The message appears if the door is open for too long.	Carry out action steps. (see Door alarm)
 Error Error	The message appears if there is an appliance error. A component of the appliance has a fault.	Carry out action steps. (see Error)
 WiFi Error WLAN error	The message appears if the appliance could not be connected to the WLAN. (see Establishing the WiFi connection for the first time) The message only appears during the initial setup.	Carry out action steps. (see WLAN error)

Message	Cause	Exit the message
 AutoDoor AutoDoor AutoDoor has been stopped.	The message appears if an obstacle prevents the door from opening or closing automatically.	Carry out action steps. (see AutoDoor has been stopped)
 AutoDoor AutoDoor Position could not be saved.	The message appears when configuring AutoDoor if the selected door opening angle is too small. (see AutoDoor)	Carry out action steps. (see Position could not be saved)

Message	Cause	Exit the message
 AutoDoor AutoDoor Reference run was not successful.	The message appears when configuring AutoDoor if the reference run was not successful. (see AutoDoor)	Carry out action steps. (see Reference run was not successful)
 AutoDoor AutoDoor Motor cools down.	The message appears when the door motor cools down.	Carry out action steps. (see Motor cools down)

8.3.2 Ending warnings

Door alarm

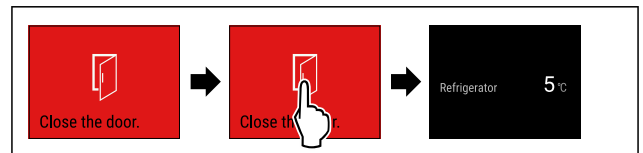


Fig. 167 Example illustration

- ▶ Carry out action steps according to the illustration.

-or-

- ▶ Close the door.

- ▶ The display returns to the status indicator.

You can set how long the door may be open before the door alarm sounds. (see Setting the door alarm)

Error

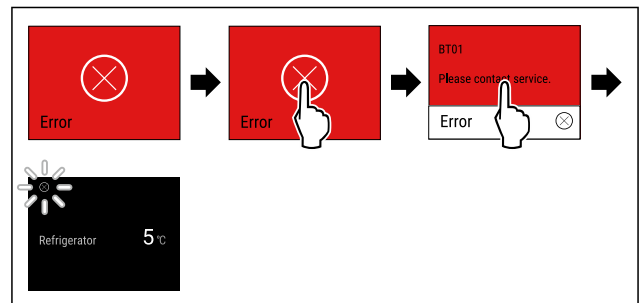


Fig. 168 Example illustration

- ▶ Briefly touch the display.
- ▶ Error code is displayed.
- ▶ Note the error code.
- ▶ Briefly touch the display.
- ▶ The display returns to the status indicator.
- ▶ Contact Customer Service. (see 11.4 Customer Service)

WLAN error

- ▶ Check WLAN connection.
- ▶ Reconnect the appliance to the WLAN. (see WiFi)

AutoDoor has been stopped



CAUTION

Risk of injury from automatic opening and closing of the door!

- ▶ Keep the door opening area clear.
- ▶ Do not reach into the hinge with your hand.
- ▶ Do not block the door.

NOTICE

Damage to the drawers and telescopic rails from automatic closing of the door!

- ▶ Before the door closes: Push the drawers all the way in.
- ▶ Before the door closes and when drawer has been removed: Push the telescopic rails all the way in.



Fig. 169

- ▶ Remove the obstacle.
- ▶ When obstacle has been removed: Door opens or closes automatically.
- ▶ If obstacle is not removed: Message appears again and door alarm is active.

Position could not be saved

The door opening angle must be greater than 70°.

If you want to cancel the configuration of AutoDoor:

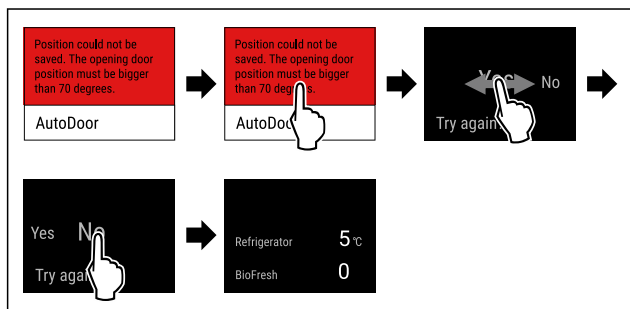


Fig. 170 Example illustration

- ▶ Carry out action steps according to the illustration.
- ▶ The display returns to the status indicator.

If you want to continue configuring AutoDoor and set the door opening angle:

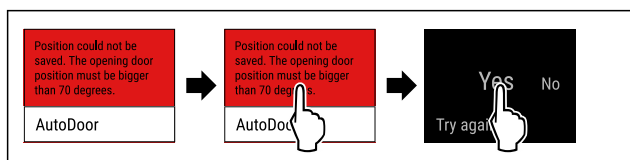


Fig. 171

- ▶ Carry out action steps according to the illustration.
- ▶ Reconfigure the door opening angle. (see AutoDoor)

Reference run was not successful

If you want to cancel the configuration of AutoDoor:

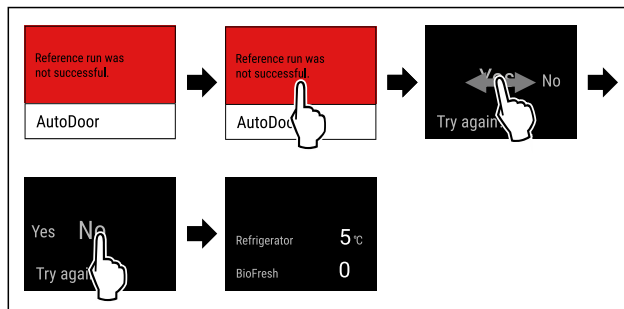


Fig. 172 Example illustration

- ▶ Carry out action steps according to the illustration.
- ▶ The display returns to the status indicator.

If you want to continue configuring AutoDoor and set the door opening angle:

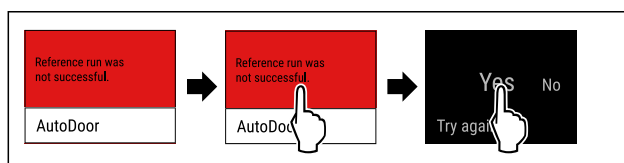


Fig. 173

- ▶ Carry out action steps according to the illustration.
- ▶ Reconfigure the door opening angle. (see AutoDoor)

Motor cools down

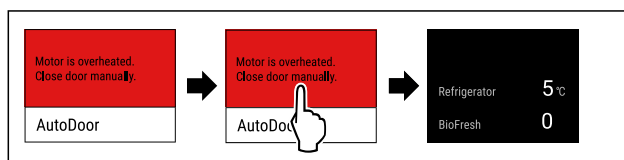


Fig. 174 Example illustration

- ▶ Carry out action steps according to the illustration.
- ▶ The display returns to the status indicator.
- ▶ Motor cools down and is active again shortly.
- ▶ Close the door by hand.


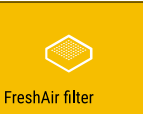
8.3.3 Overview of reminders

Behaviour of the appliance during reminders:

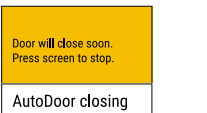
- Reminder appears yellow on the display.
- Alarm tone sounds.
- The interior lighting pulsates for some reminders.

The following reminders can be deactivated (see Deactivating the reminder) :

- Replace the FreshAir activated carbon filter

Message	Cause	Exit the message
 Water filter* Replace the water filter*	The message appears when the water filter needs to be replaced.*	Carry out action steps. (see Replace the water filter*) *
 FreshAir filter Replace the FreshAir activated carbon filter	The message appears when the FreshAir activated carbon filter needs to be replaced.	Carry out action steps. (see Replace the FreshAir activated carbon filter)

Features

Message	Cause	Exit the message
 <p>AutoDoor will close soon</p>	The message appears if the door is opened lengthwise for more than 10 seconds.	Carry out action steps. (see AutoDoor will close soon)

8.3.4 Ending reminders

Replace the water filter*

Liebherr recommends: Replace the water filter every 6 months.

Note

Water filters are available from the Liebherr-Hausgeräte store at home.liebherr.com/shop/de/deu/zubehor.html.

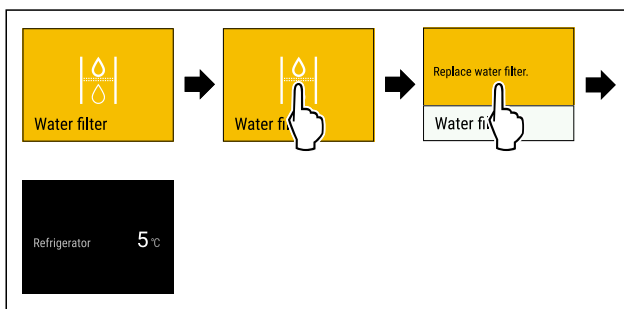


Fig. 175 Example illustration

- ▶ Briefly touch the display.
- ▶ Display shows reminder information.
- ▶ Briefly touch the display.
- ▶ Replace the water filter. (see 10.3 Water filter*)
- ▶ Water filter ensures optimum water quality.
- ▶ Reminder appears again after 6 months.

If you no longer wish to receive this reminder, you can deactivate it. (see Deactivating the reminder)

Replace the FreshAir activated carbon filter

Liebherr recommends: Replace the FreshAir activated carbon filter every 6 months.

Note

FreshAir activated charcoal filters can be purchased from the Liebherr-Hausgeräte store at home.liebherr.com/shop/de/deu/zubehor.html.

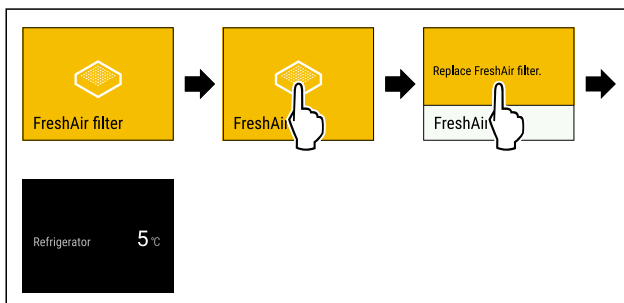


Fig. 176 Example illustration

- ▶ Briefly touch the display.
- ▶ Display shows reminder information.
- ▶ Briefly touch the display.
- ▶ Replace the activated carbon filter. (see 10.1 FreshAir carbon filter)
- ▶ Activated carbon filter ensures optimum air quality in the cooling unit.
- ▶ Reminder appears again after 6 months.

If you no longer wish to receive this reminder, you can deactivate it. (see Deactivating the reminder)

AutoDoor will close soon

If the reminder appears and you need more time before the door closes automatically:

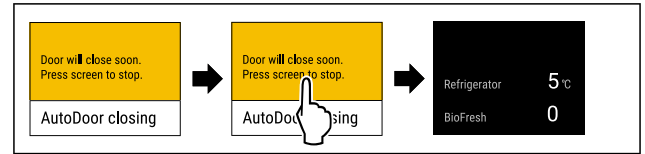


Fig. 177 Example illustration

- ▶ Carry out action steps according to the illustration.
- ▶ Automatic closing of the door is interrupted.
- ▶ The display returns to the status indicator.
- ▶ Door alarm is active. (see Door alarm)
- ▶ If the door alarm sounds: Door closes automatically.

If the reminder appears and you want the door to close:

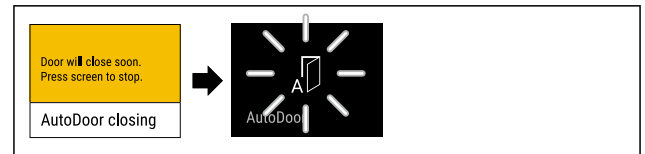


Fig. 178

- ▶ Do not perform any action on the display.
- ▶ As soon as automated closing of the door begins: Display shows flashing AutoDoor icon.
- ▶ Door closes automatically.

9 Features

9.1 4-star freezer compartment*

9.1.1 Opening/closing the freezer compartment

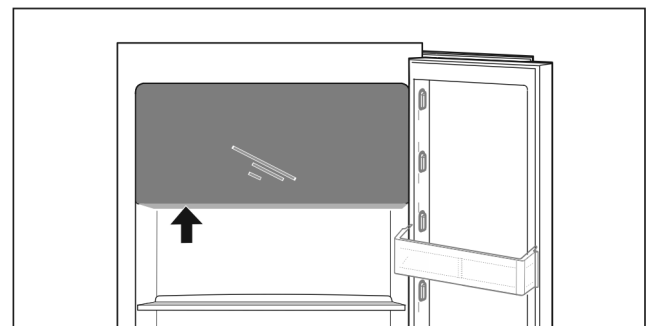
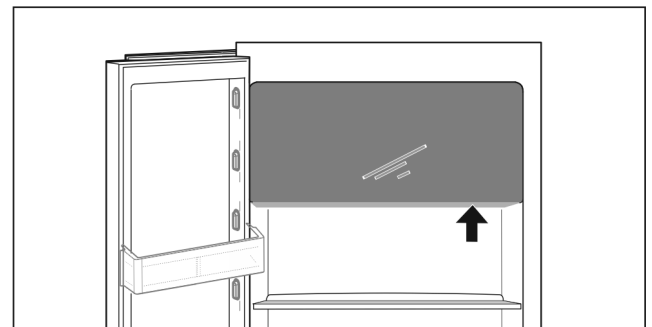


Fig. 179

Opening the freezer compartment:

- ▶ Reach into the handle area from below.
- ▶ Push the handle plate while pulling the door towards you.

Closing the freezer compartment:

- ▶ Close the door while pushing from the front.
- ▶ Door is engaged.

9.2 Door rack

Door racks are suitable for storing drinks and food. You can move door racks for your own individual use and take them apart for cleaning. However, Liebherr recommends using the door racks in the position in the door as delivered from the factory.

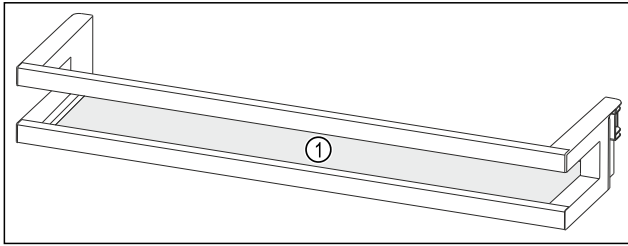


Fig. 180 Example illustration, Door rack
(1) Shelf

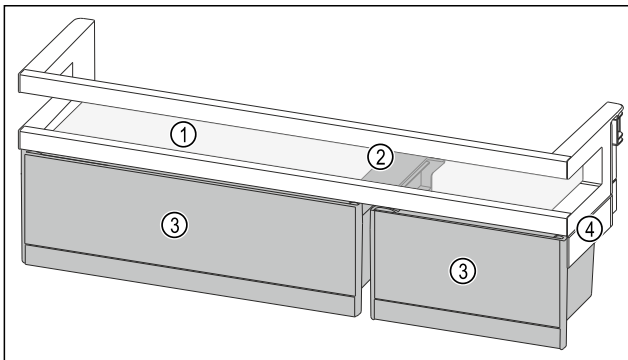


Fig. 181 Example illustration, Door racks with VarioBoxes
(1) Shelf (2) Holding part for VarioBoxes (3) VarioBoxes (4) Side part

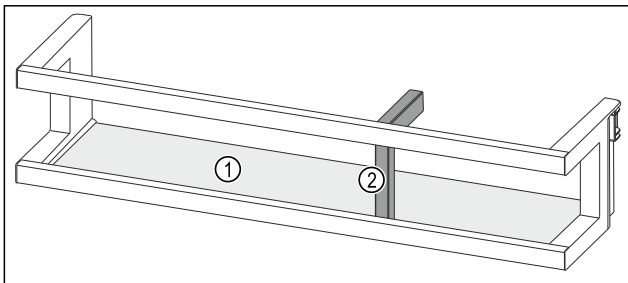


Fig. 182 Example illustration, Door rack with bottle holder
(1) Shelf (2) Bottle holder

The following table shows examples of what can be stored in each door rack. Do not exceed the maximum loading weight of the door.

Door rack	Food
Door rack (see Fig. 180)	Butter, cheese, tinned food, tubes
Door rack with bottle holder (see Fig. 182)	Bottles The sliding bottle holder secures the bottles in the door rack.
Door rack with VarioBoxes (see Fig. 181)	small food items

9.2.1 Removing VarioBoxes

Either one or both VarioBoxes can be used. If you want to store particularly tall bottles in the door rack under the door rack with VarioBoxes, you can remove one or both VarioBoxes.

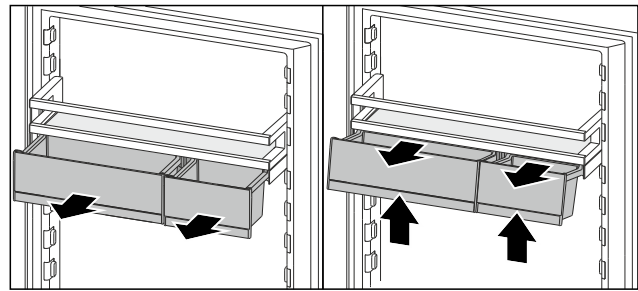


Fig. 183

- ▶ Pull out VarioBox to the end stop.
- ▶ Lift VarioBoxes out forwards.
- ▶ Take VarioBox out forwards.

9.2.2 Removing the door rack

Ensure that the following requirements are met:

- VarioBoxes have been removed. (see 9.2.1 Removing VarioBoxes)

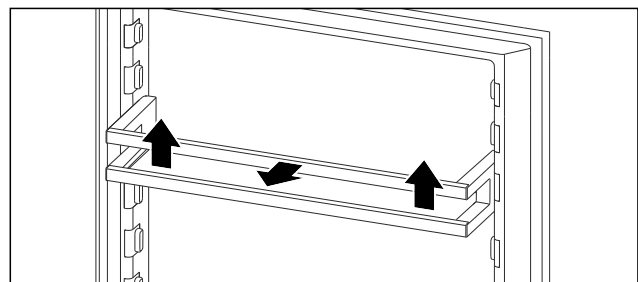


Fig. 184 Example illustration

- ▶ Push the door rack upwards.
- ▶ Pull the door rack forward.

9.2.3 Inserting the door rack

Note

Condensation in the 4-star freezer compartment due to incorrect position of the door rack with VarioBoxes!*

If your appliance is equipped with a 4-star freezer compartment, the door rack with VarioBoxes can disrupt the air distribution in the fridge compartment and condensation may form on the 4-star freezer compartment.

For optimum air distribution in the fridge compartment, Liebherr recommends:

- ▶ Use door racks with VarioBoxes at a height below the 4-star freezer compartment.

Ensure that the following requirements are met:

- VarioBoxes have been removed. (see 9.2.1 Removing VarioBoxes)

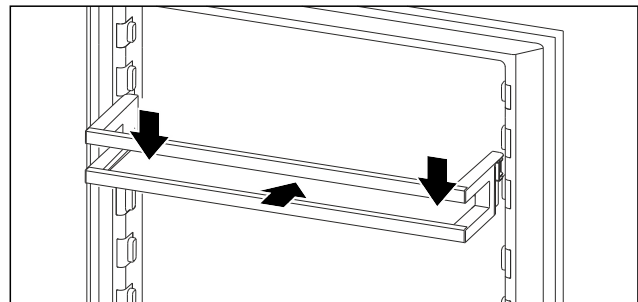


Fig. 185 Example illustration

- ▶ Slide in the door rack.
- ▶ Press the door rack down.

Features

9.2.4 Inserting VarioBoxes

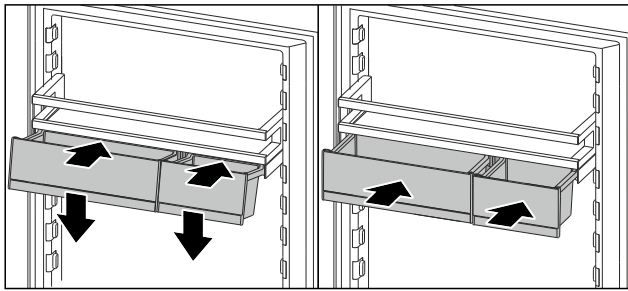


Fig. 186

- ▶ Place VarioBoxes at an angle on the rib of the door rack.
- ▶ Lower VarioBoxes.
- ▶ Push in the VarioBoxes.

9.2.5 Converting VarioBoxes

Ensure that the following requirements are met:

- VarioBoxes have been removed. (see 9.2.1 Removing VarioBoxes)
- Door rack has been removed. (see 9.2.2 Removing the door rack)

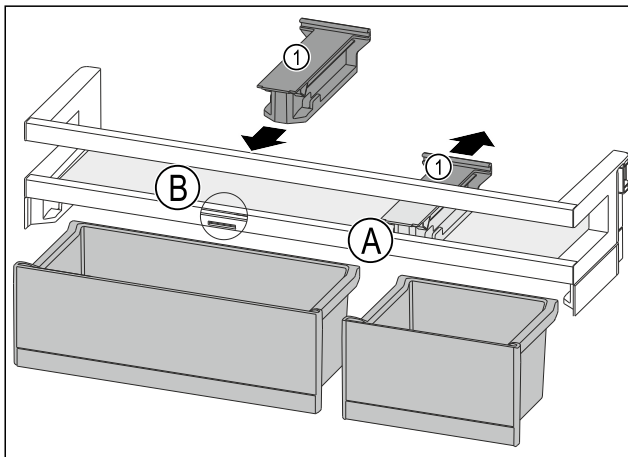


Fig. 187

- ▶ Take off the holding part Fig. 187 (1) in position Fig. 187 (A) backwards.
- ▶ Insert the holding part Fig. 187 (1) in position Fig. 187 (B).
- ▶ Insert the door rack. (see 9.2.3 Inserting the door rack)

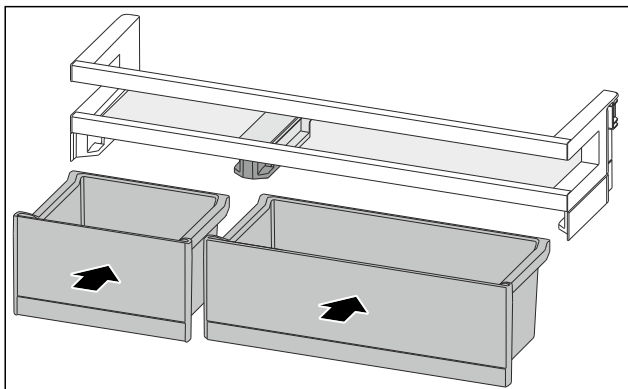


Fig. 188

- ▶ Insert the VarioBoxes in reverse order. (see Fig. 188)

9.3 Shelves

9.3.1 Adjusting/removing the shelves

The shelves are prevented from being pulled out accidentally by pull out stops.

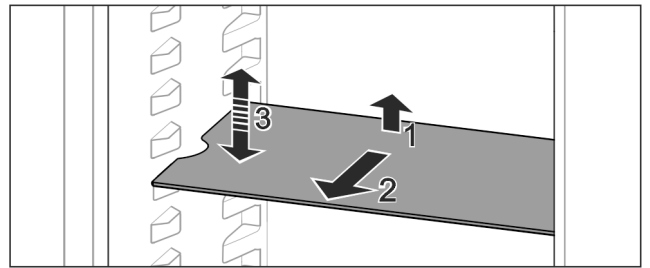


Fig. 189

- ▶ Lift the shelf and pull forward.
- ▶ Line up the side runner.
- ▶ Adjust the height of the shelf: Lift or lower it to the desired height and slide it in.

-or-

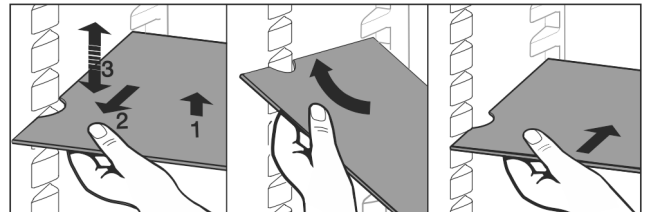


Fig. 190

- ▶ Remove the shelf completely: Pull it out to the front.
- ▶ Easier removal: Set the shelf at an angle.
- ▶ Insert the shelf again: Slide it in all the way.
- ▶ The pull-out stoppers point downwards.
- ▶ The pull-out stoppers are behind the front support.

9.4 Dividing shelf

9.4.1 Using the dividing shelf

The shelves are prevented from being pulled out accidentally by pull out stops.

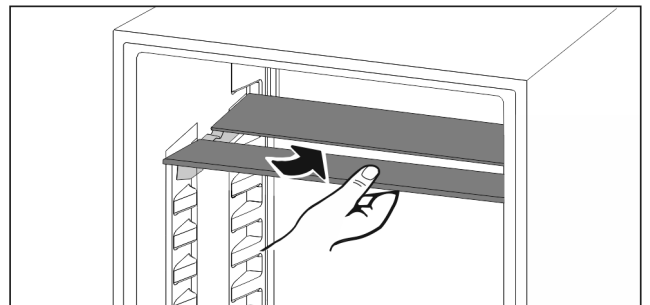


Fig. 191

- ▶ Push the dividing shelf underneath as shown.

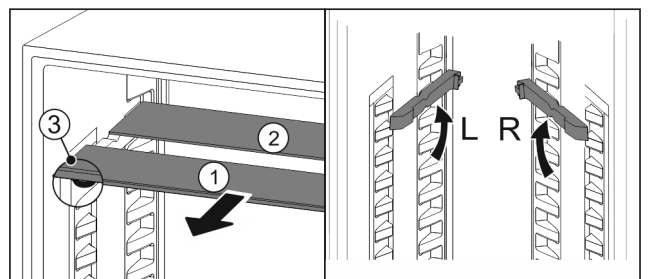


Fig. 192

Adjusting the height:

- ▶ Pull the glass panels out Fig. 192 (1) from the front, one at a time.
- ▶ Release the support rails and click in at the height you want.
- ▶ Slide in the glass panels one at a time.

- ▷ Flat pull-out stoppers at the front, right behind the support rails.
- ▷ High pull-out stoppers at the back.

Using both shelves:

- ▶ Hold the glass panel with one hand and pull it to the front.
- ▷ The glass panel *Fig. 192 (1)* and trim strip are at the front.
- ▷ The stops *Fig. 192 (3)* point down.
- Appliances with freezer compartment:*
- ▶ Do not place the support rails and dividing shelf in front of the fan.*

9.5 VarioSafe

The VarioSafe offers space in the refrigerator compartment for small groceries, packages, tubes and jars, for example.

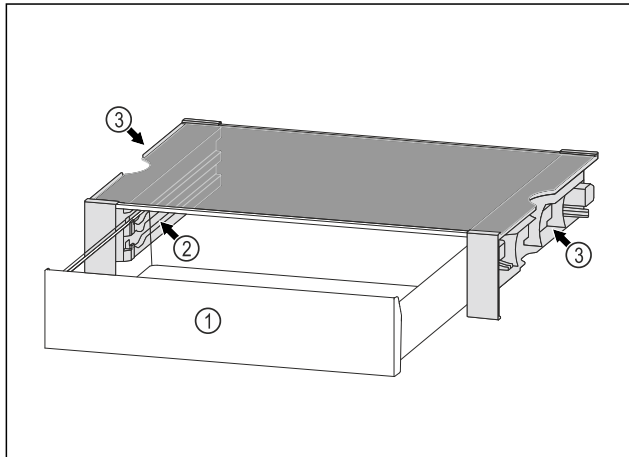


Fig. 193

- (1) VarioSafe drawer
- (2) Side panels with ribs for VarioSafe drawer
- (3) Recesses on the left and right side panel

9.5.1 Inserting the VarioSafe

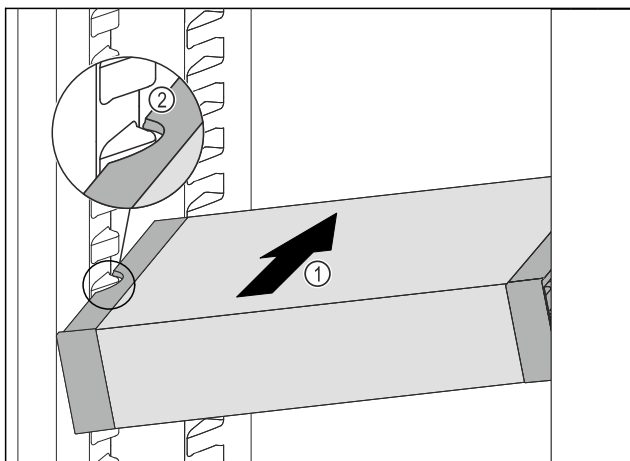


Fig. 194

- ▶ Insert the VarioSafe into the fridge section at an angle *Fig. 194 (1)* until the recesses in the side *Fig. 194 (2)* of the VarioSafe are at the level of the support rib in the fridge section.

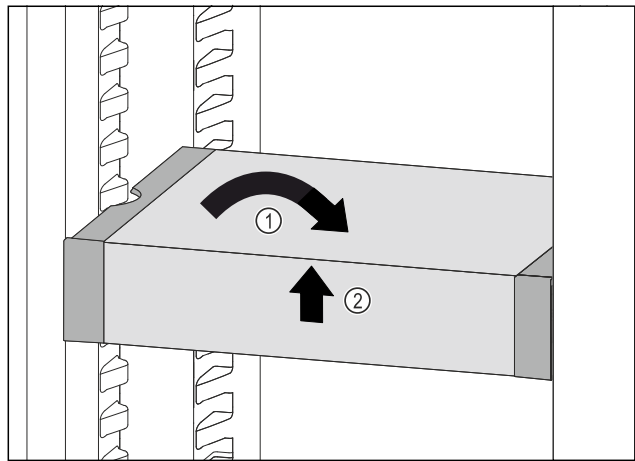


Fig. 195

- ▶ Set VarioSafe straight. *Fig. 195 (1)*
- ▶ Lift VarioSafe at the front. *Fig. 195 (2)*

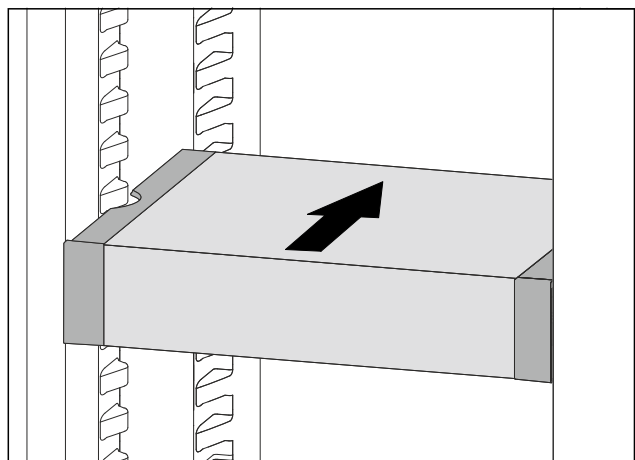


Fig. 196

- ▶ Lift VarioSafe up toward the front.
- ▶ Push VarioSafe in to the rear.
- ▶ Lower VarioSafe.
- ▷ VarioSafe audibly engages.
- ▷ VarioSafe is inserted.

9.5.2 Repositioning the VarioSafe

You can move the VarioSafe as a whole in the refrigerator compartment.

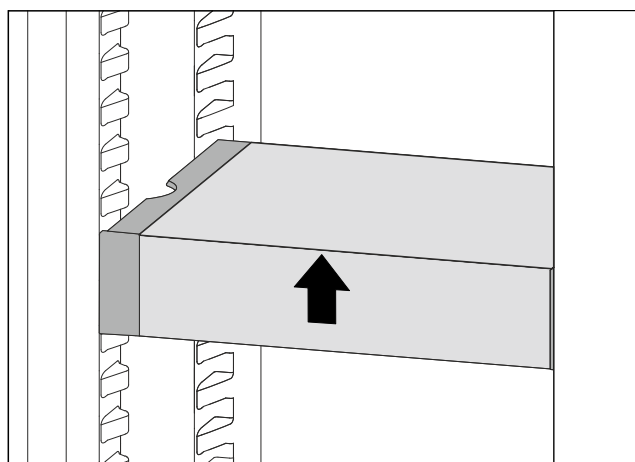


Fig. 197

- ▶ Lift VarioSafe at the front.

Features

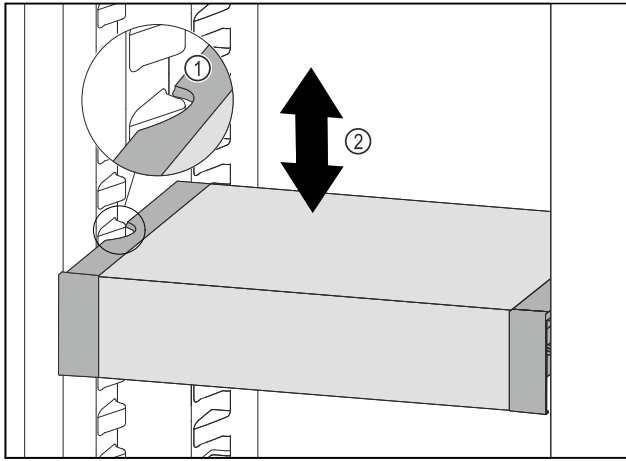


Fig. 198

- ▶ Pull VarioSafe forwards until the recesses in the side of the VarioSafe are at the level of the support rib in the refrigerator compartment. Fig. 198 (1)
- ▶ Move VarioSafe up or down in the refrigerator compartment until the desired height is reached. Fig. 198 (2)

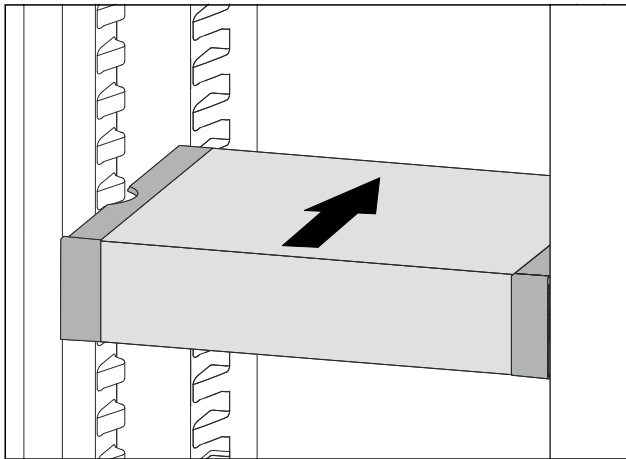


Fig. 199

- ▶ Lift VarioSafe at the front.
- ▶ Push VarioSafe in to the rear.
- ▶ VarioSafe audibly engages.
- ▶ VarioSafe is offset in height.

9.5.3 Moving the VarioSafe drawer

You can use the VarioSafe drawer at two different heights. If you would like to store taller foodstuffs in the VarioSafe drawer, slide the VarioSafe drawer in on the bottom rib. If you would like to store smaller foodstuffs in the VarioSafe drawer, slide the VarioSafe drawer in on the top rib.

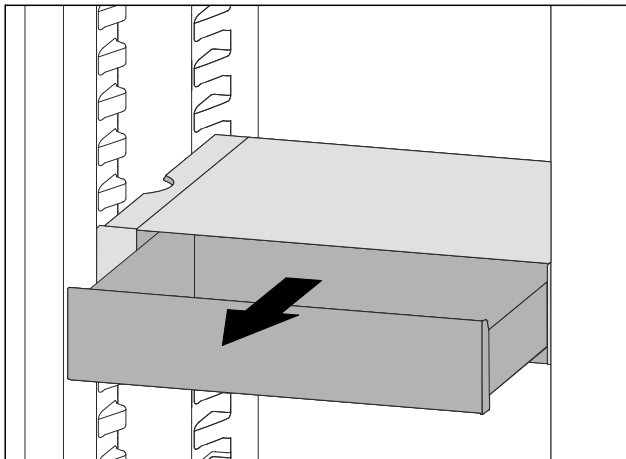


Fig. 200

- ▶ Pull out the VarioSafe drawer as far as it will go.
- ▶ Lift the VarioSafe drawer up at the front.
- ▶ Remove the VarioSafe drawer to the front.

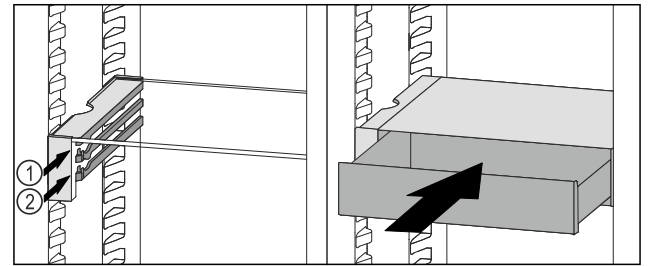


Fig. 201

- ▶ Lift the VarioSafe drawer up at the front.
- ▶ Place the VarioSafe drawer behind the stoppers on desired rib Fig. 201 (1) or Fig. 201 (2).
- ▶ VarioSafe drawer is offset in height.

9.5.4 Removing the VarioSafe

You can remove the VarioSafe as a whole.

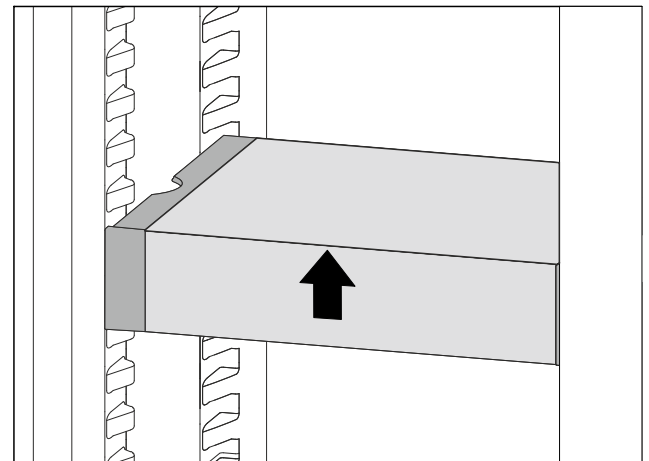


Fig. 202

- ▶ Lift VarioSafe at the front.

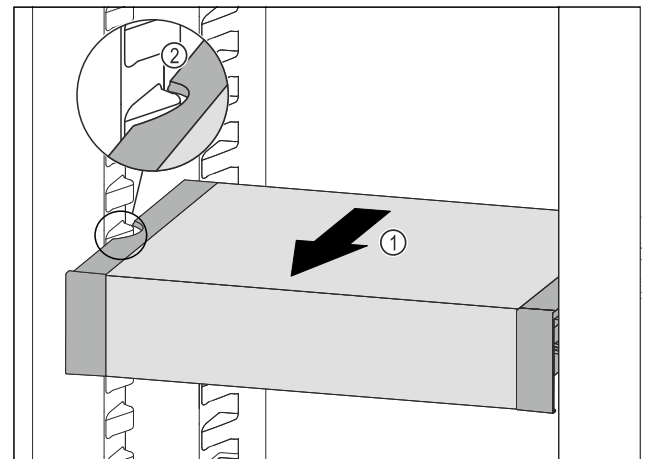


Fig. 203

- ▶ Pull VarioSafe forwards Fig. 203 (1) until the recesses in the side of the VarioSafe are at the level of the support rib in the fridge section. Fig. 203 (2)

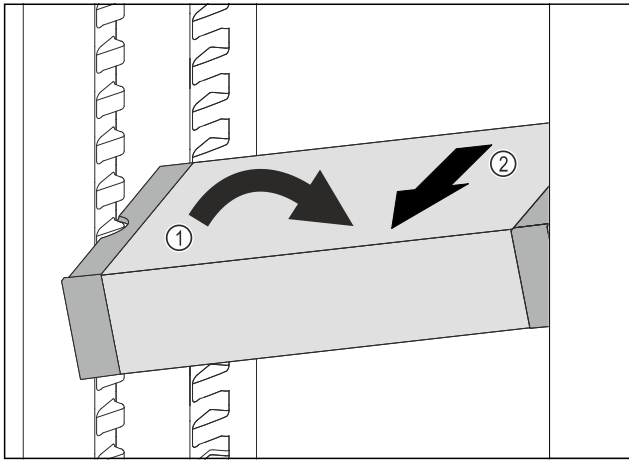


Fig. 204

- ▶ Set VarioSafe in refrigerator compartment at an angle. Fig. 204 (1)
- ▶ Take VarioSafe out to the front. Fig. 204 (2)
- ▶ VarioSafe is removed.

9.5.5 Disassembling the VarioSafe

You can disassemble the VarioSafe into its individual parts if you want to clean the VarioSafe or if you need to install or remove parts.

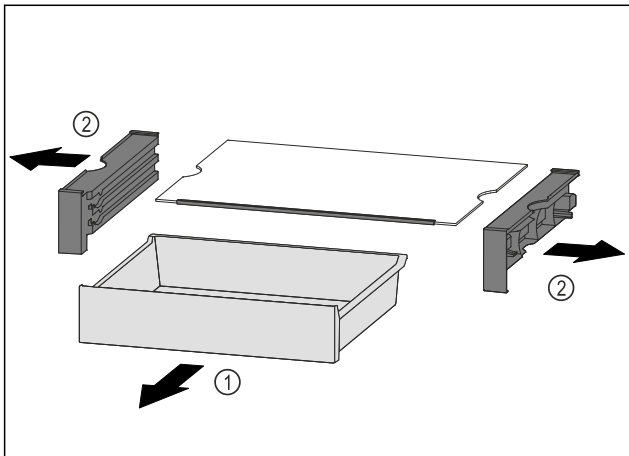


Fig. 205

- ▶ Remove VarioSafe as a whole. (see 9.5.4 Removing the VarioSafe)
- ▶ Disassemble VarioSafe according to the illustration.

9.6 InfinitySpring*

The built-in water dispenser is great for drinking water. The water temperature depends on the temperature in the fridge.

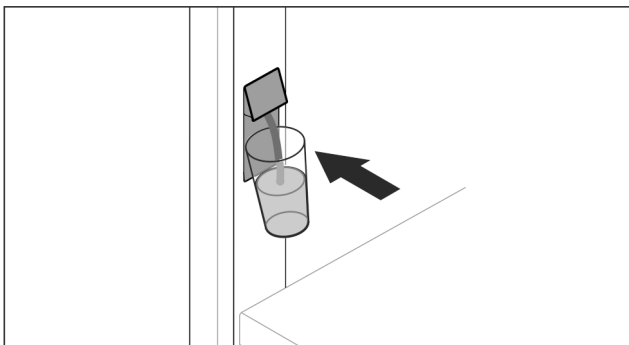


Fig. 206

- ▶ Push the glass against the bottom pushbutton of the dispenser.
- ▶ Pouring unit moves out: Water flows into the glass.
- ▶ Avoid spillages: Remove your cup slowly.
- ▶ For more water:
- ▶ If the water flow stops, remove the water tank and push your container against the bottom pushbutton of the dispenser again.

9.7 Adjustable bottle shelf

Either the glass shelf or the variable bottle rack can be used in the bottom section of the refrigerator. The glass shelf is inserted at delivery.

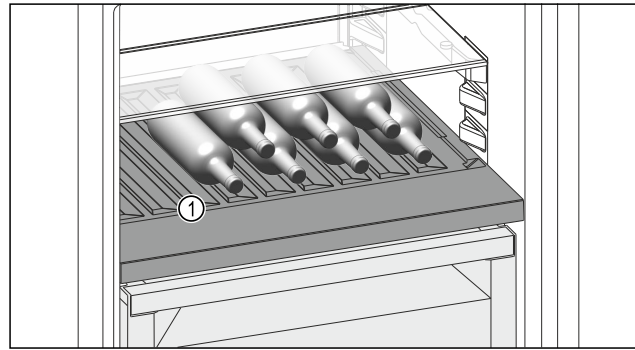


Fig. 207 Example illustration

(1) Variable bottle rack

9.7.1 Using the variable bottle rack

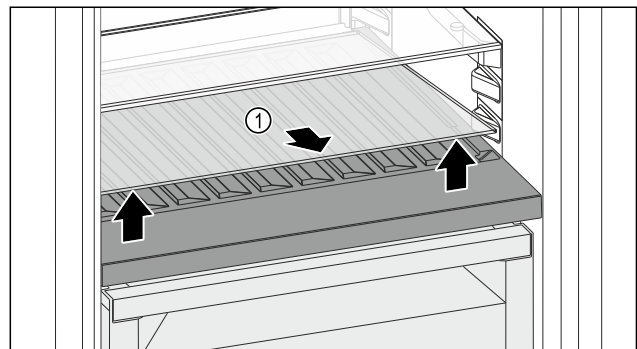


Fig. 208

- ▶ Lift the glass shelf Fig. 208 (1) at the front and remove.
- ▶ Store the glass shelf Fig. 208 (1) in a safe place outside the appliance.
- ▶ Insert the glass shelf (2) under the variable bottle rack.

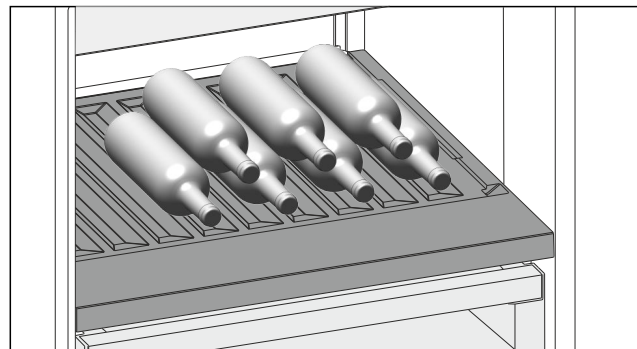


Fig. 209 Example illustration

- ▶ Place bottles in the back row with their bases against the back wall. (see Fig. 209)

Features

Note

When the bottles protrude over the variable bottle rack at the front:

- ▶ Set the lower door rack one position higher.

9.7.2 Using the glass shelf

Ensure that the following requirements are met:

- ❑ Bottles have been removed.
- ❑ Variable bottle rack has been cleaned. (see 10.7 Removing / inserting the variable bottle rack) (see 10.11.3 Clean the components)

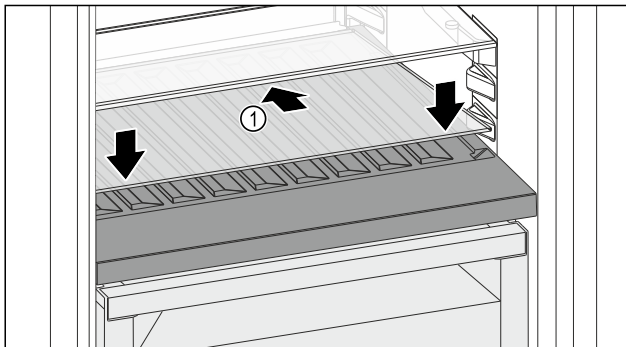


Fig. 210

- ▶ Place the glass shelf Fig. 210 (1) at an angle, sloping it downwards and backwards.
- ▶ Lower the glass shelf Fig. 210 (1) at the front.

9.8 Drawers

You can remove the drawers for cleaning.

The way to remove/insert the drawers varies depending on the pull-out system. Your appliance can contain various pull-out systems.

Note

The energy consumption increases and the cooling power goes down if ventilation is not sufficient.

- ▶ Always keep the inside vents at the rear wall clear.

9.8.1 Drawer on telescopic rails

The drawer runs on extendible rails (telescopic rails). There are fully extendible telescopic rails and telescopic rails with partial pull-out. Drawers which are fully extendible can be pulled out fully from the appliance. Drawers with partial pull-out cannot be removed fully from the appliance. The system in your appliance depends on the type of appliance.

Fully extendible*

If you have fully extendible rails, there is a clamp located at the back on the left and right of the rail.

Removing drawer

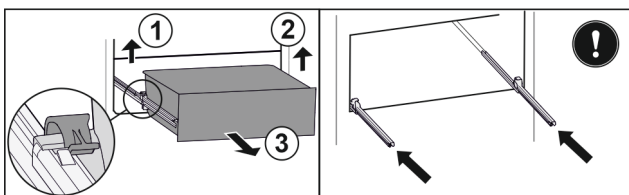


Fig. 211

- ▶ Pull out drawer as far as it will go.
- ▶ Lift left clamp and simultaneously pull drawer forwards on the left. Fig. 211 (1)
- ▶ Lift right clamp and simultaneously pull drawer forwards on the right. Fig. 211 (2)
- ▶ Remove drawer to the front. Fig. 211 (3)

- ▶ Slide rails in.

Inserting drawer

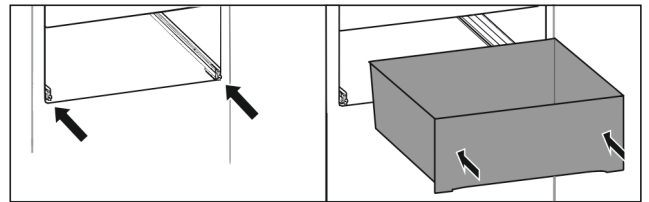


Fig. 212

- ▶ Slide rails in.
- ▶ Place drawer on rails.
- ▶ Slide in drawer to the back.
- ▶ Drawer latches in audibly at the back.

Partial pull-out fridge compartment*

Removing drawer

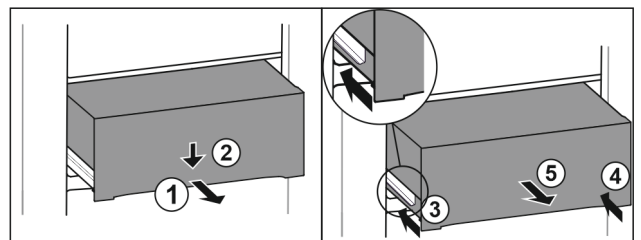


Fig. 213

- ▶ Pull out drawer half-way. Fig. 213 (1)
- ▶ Push the drawer down at the front. Fig. 213 (2)
- ▶ Push the left rail in by about 2 cm. Fig. 213 (3)
- ▶ Push the right rail in by about 2 cm. Fig. 213 (4)
- ▶ Remove drawer to the front. Fig. 213 (5)

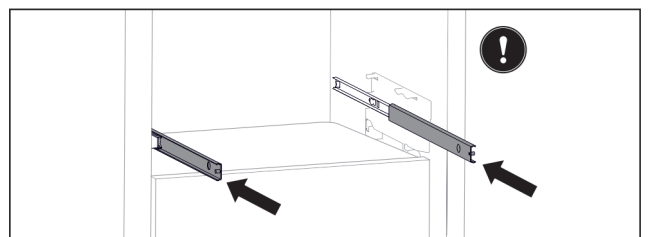


Fig. 214

If the rails are not yet fully inserted after removing the drawer:

- ▶ Push rails in completely.

Inserting drawer

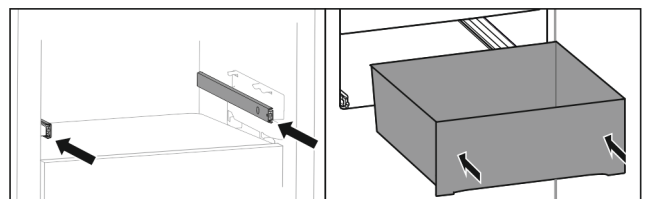


Fig. 215

- ▶ Slide rails in.
- ▶ Place drawer on rails.
- ▶ Slide in drawer to the back.

9.9 Compartment lid for Fruit & Vegetable Safe

The compartment lid ensures constant levels of humidity. The compartment lid is directly on the drawer and can be covered by shelves or additional drawers.

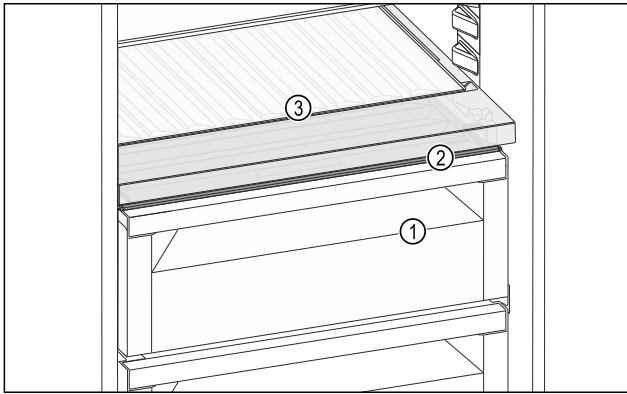


Fig. 216 Example illustration, compartment lid for Fruit & Vegetable Safe

- (1) Fruit & Vegetable Safe
- (2) Compartment lid for Fruit & Vegetable Safe
- (3) Variable bottle rack

9.9.1 Reducing the air humidity in the drawer

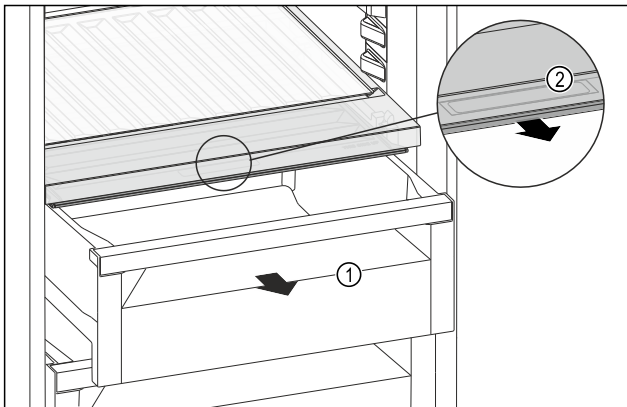


Fig. 217

- ▶ Pull out the drawer Fig. 217 (1).
- ▶ Grasp the recessed grip Fig. 217 (2) on the compartment lid and pull the compartment lid forwards at the same time.
- ▶ When the drawer is closed, there is a small gap between the compartment lid and the drawer.
- ▶ Using HydroBreeze is not possible. (see 9.10 HydroBreeze)

9.9.2 Increasing the air humidity in the drawer

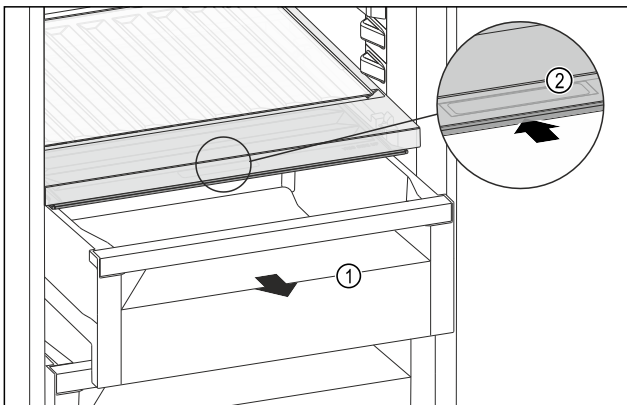


Fig. 218

- ▶ Pull out the drawer Fig. 218 (1).
- ▶ Grasp the recessed grip Fig. 218 (2) on the compartment lid and push the compartment lid backwards at the same time.

- ▶ When the drawer is closed, the compartment lid seals with the drawer.
- ▶ Using HydroBreeze is possible. (see 9.10 HydroBreeze)

9.9.3 Using Fruit & Vegetable Safe as Meat & Dairy Safe

You can use the Fruit & Vegetable Safe as Meat & Dairy Safe. To do this, you must reduce the humidity in the drawer. (see 9.9.1 Reducing the air humidity in the drawer)

9.9.4 Using Fruit & Vegetable Safe with HydroBreeze

You can use the Fruit & Vegetable Safe with HydroBreeze. To do this, you must increase the humidity in the drawer. (see 9.9.2 Increasing the air humidity in the drawer)

9.10 HydroBreeze

HydroBreeze emits a mist over the refrigerated goods to provide moisture every time the door is opened.

The HydroBreeze and its water tank are located in the adjustable bottle shelf.

Ensure that the following conditions are met:

- The water tank is clean. (see 10.11.3 Clean the components)
- The water tank is properly engaged.
- The humidity in the drawer is set to high air humidity. (see 9.9.2 Increasing the air humidity in the drawer)
- HydroBreeze is activated. (see HydroBreeze)

9.10.1 Fill the water tank



WARNING

Unclean water!
Contaminants.

- ▶ Only fill with drinking water.
- ▶ The HydroBreeze is off: empty water tank.
- ▶ The HydroBreeze is no longer in use: empty water tank.

NOTICE

Sugar-content liquids!
Damage to HydroBreeze.

- ▶ Only fill with drinking water.

Note

Only use filtered, decarbonised water for the best quality drinking water and to make the HydroBreeze, work smoothly.

This water quality can be achieved using a table water filter of the kind available in trade retail outlets.

- ▶ Only ever fill the water tank with filtered, decarbonised drinking water.

The water tank is built into the adjustable bottle shelf (see 2.2 Overview of appliances and equipment).

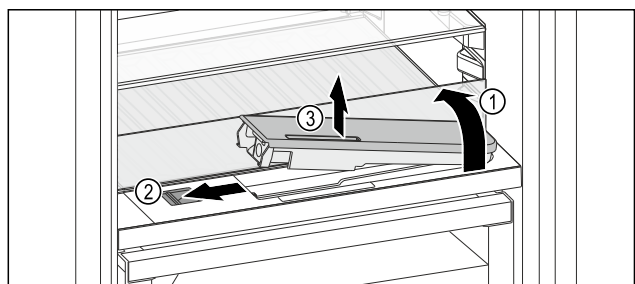


Fig. 219

Features

- ▶ Press on the back-left corner of the front glass plate.
- ▶ The glass panel folds up at the front.
- ▶ Lift the glass panel and fold towards the rear until it clicks into place *Fig. 219 (1)*.
- ▶ Glass panel stands upright.
- ▶ Slide the slider *Fig. 219 (2)* to the left.
- ▶ The water tank jumps out of its recess.
- ▶ Remove the water tank *Fig. 219 (3)*.
- ▶ Cleaning the water tank (see 10.11.3 Clean the components) .
- ▶ Square opening:
 - ▶ Fill with drinking water up to the marker.
 - ▶ Insert the water tank into the recess, bottom first.
 - ▶ Slowly lower the front part and push the tank in.
 - ▶ The water tank is clicked into place.

9.10.2 Dismantling the water tank

You can remove the HydroBreeze water tank for cleaning.

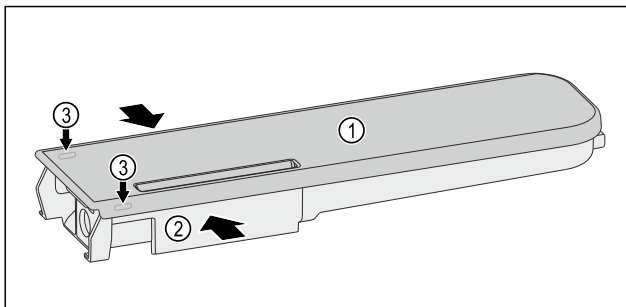


Fig. 220

- ▶ Push the water tanks *Fig. 220 (2)* together, leverage the cover *Fig. 220 (1)* carefully over the latching tabs *Fig. 220 (3)* and lift it up.
- ▶ The cover is released.

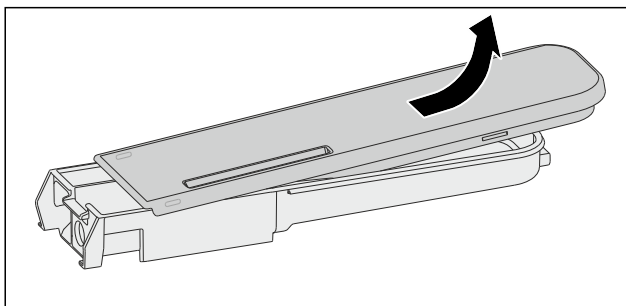


Fig. 221

- ▶ Move the cover *Fig. 220 (1)* slightly forwards and back, and remove to the top.
- ▶ The water tank has been dismantled.

9.11 Butter dish

9.11.1 Opening/closing the butter dish

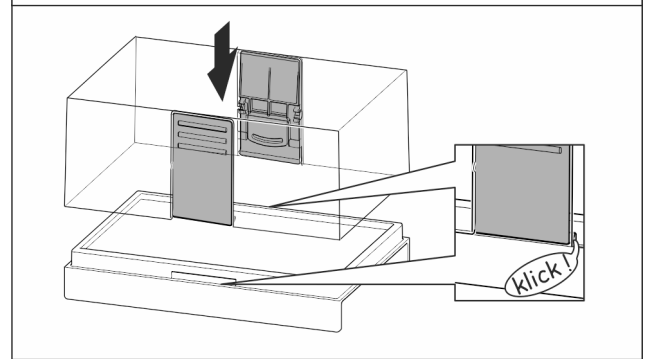
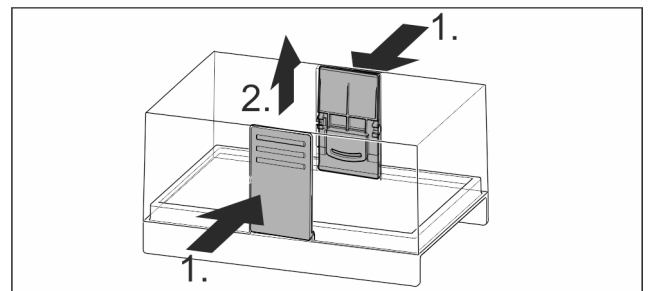


Fig. 222

9.11.2 Dismantling the butter dish

You can take the butter dish apart for cleaning.

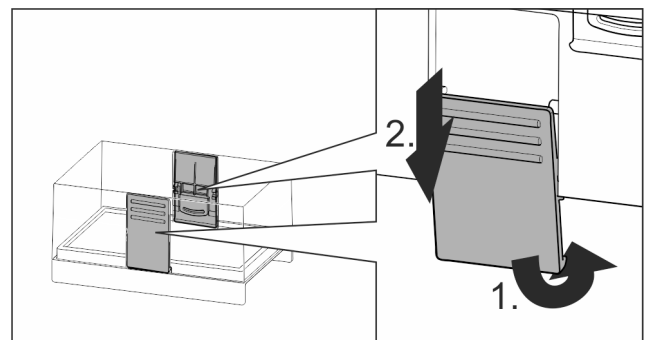


Fig. 223

- ▶ Disassembling the butter dish.

9.12 Egg rack

You can pull out and turn the egg rack. You can use both sides of the egg rack so you can label specifics like the purchase date.

9.12.1 Using the egg rack

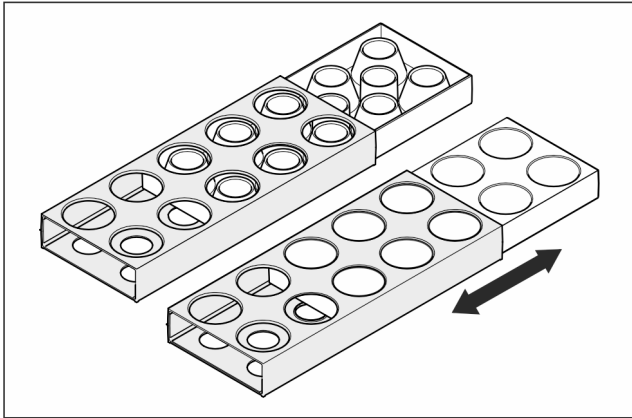


Fig. 224

- ▶ Top layer: for storing hen eggs.
- ▶ Bottom layer: for storing quail eggs.

9.13 Bottle holder

9.13.1 Using the bottle holder

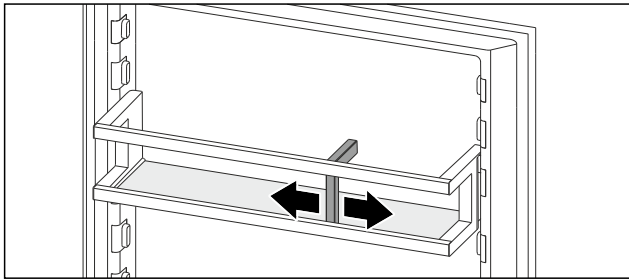


Fig. 225

- ▶ Push the bottle holder onto the bottles.
- ▶ The bottles are prevented from falling over.

9.14 FlexSystem

9.14.1 Using the FlexSystem

The FlexSystem helps you store and organise your food in a clear and flexible way. It lets you clearly divide your food into fruit, vegetables or by use-by dates, for example.

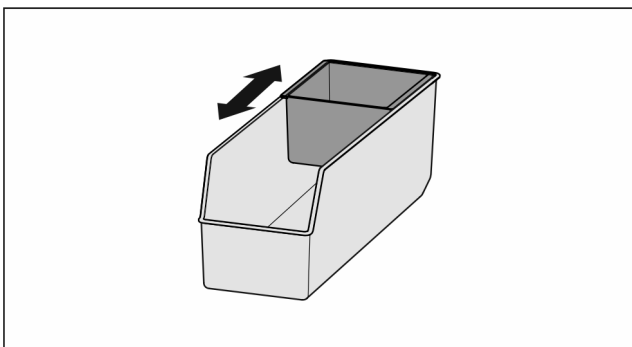


Fig. 226

- ▶ Move the inner shell.

9.14.2 Removing the FlexSystem

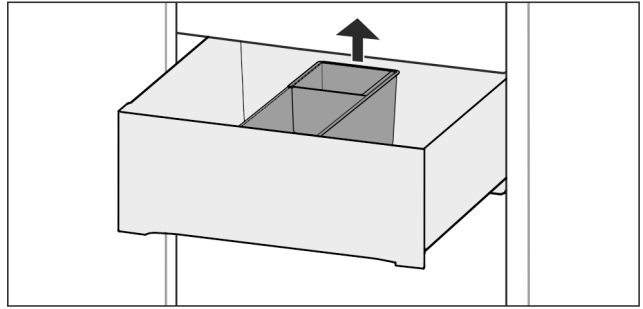


Fig. 227

- ▶ Lift the FlexSystem from the back.
- ▶ Pull up and out.

9.14.3 Inserting the FlexSystem

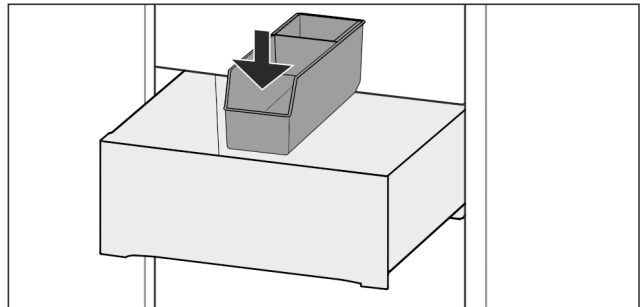


Fig. 228

- ▶ Insert the FlexSystem front-first.
- ▶ Lower the rear part.

9.14.4 Disassembling the FlexSystem

You can take the FlexSystem apart for cleaning.

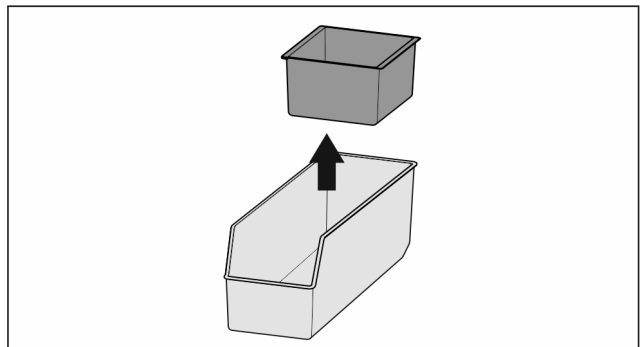


Fig. 229

- ▶ Disassembling the FlexSystem

Maintenance

9.15 Ice cube tray with cover*

9.15.1 Using the ice cube tray

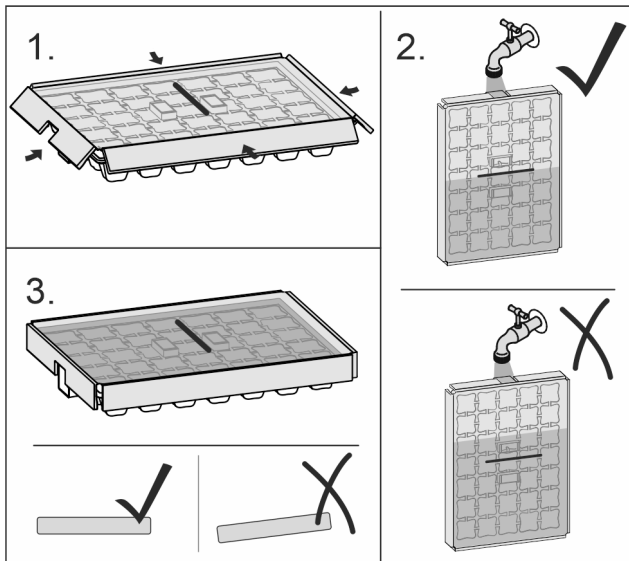


Fig. 230

When the water is frozen:

- ▶ Hold ice cube tray under hot water for a short time.
- ▶ Remove the lid.
- ▶ Gently turn the ends of the ice cube tray in opposite directions.
- ▶ Release the ice cubes.

9.15.2 Dismantling the ice cube tray

You can take the ice cube tray apart for cleaning.

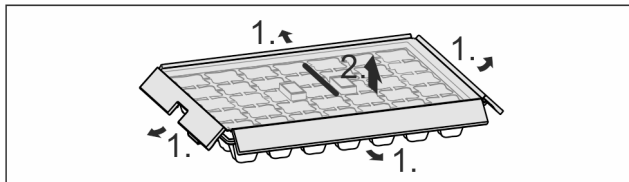


Fig. 231

- ▶ Disassembling the ice cube tray.

10 Maintenance

10.1 FreshAir carbon filter

The FreshAir carbon filter is in the compartment above the fan.

It guarantees the best air quality.

- Replace the carbon filter every 6 months. When the reminder is set, a message on the display prompts you to change it.
- The carbon filter can be disposed of with the regular household waste.

Note

FreshAir activated charcoal filters can be purchased from the Liebherr-Hausgeräte store at home.liebherr.com/shop/de/deu/zubehor.html.

10.1.1 Removing the FreshAir carbon filter

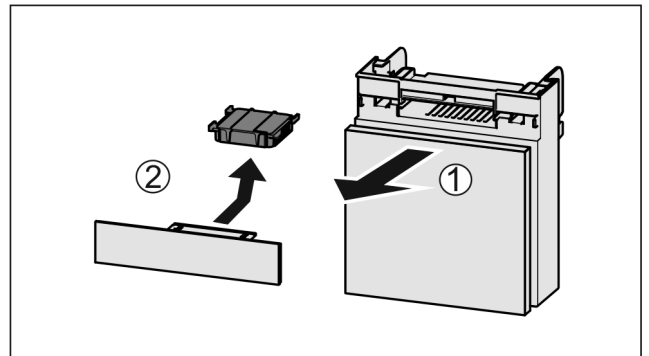


Fig. 232

- ▶ Pull out the compartment Fig. 232 (1).
- ▶ Remove the carbon filter Fig. 232 (2).

10.1.2 Inserting the FreshAir carbon filter

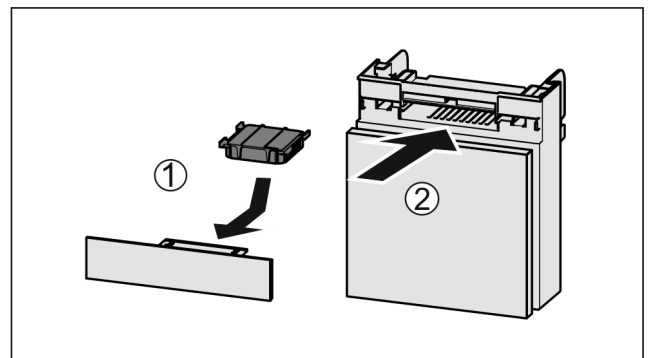


Fig. 233

- ▶ Insert the carbon filter as shown in the diagram Fig. 233 (1).
- ▶ The carbon filter clicks into place. If the carbon filter is pointing downwards:
 - ▶ Push the compartment in Fig. 233 (2).
 - ▶ The carbon filter is now ready for use.

10.2 Water tank*

The InfinitySpring water tank is located behind the lowest drawer.*

10.2.1 Removing the water tank

- ▶ Turn off the tap.
- ▶ InfinitySpring - dispense for 30 seconds and collect the remaining water with a glass.*
- ▶ Remove the drawer compartment.
- ▶ Turn the water tank all the way anti-clockwise and pull it out.
- ▶ Water dripping out is collected in the drip tray.
- ▶ Empty out the water from the drip tray.*
- ▶ Clean the drip tray with a cloth or in the dishwasher.*

10.2.2 Inserting the water tank

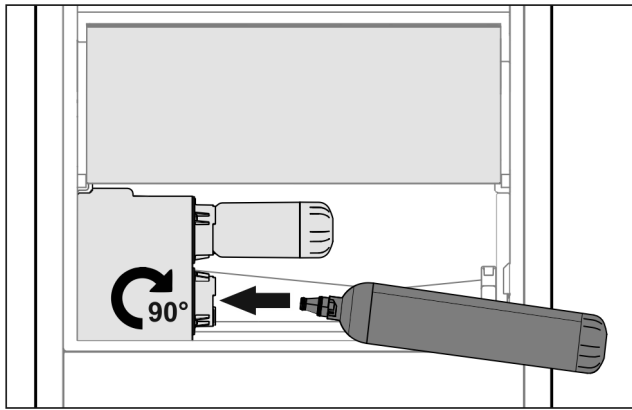


Fig. 234

- ▶ Remove the drawer compartment.
- ▶ Insert the water tank and rotate approx. 90° clockwise until it clicks in.
- ▶ Check that the tank is sealed and no water leaks out.
- ▶ Insert the drawer compartment.
- ▶ Turn on the tap.
- ▶ Bleed the water system. (see 5.2.1 Bleeding the water system) *

Instead of the water filter you can insert an additional water tank.*

Note

You can purchase this water tank as an optional extra.

10.2.3 Removing / inserting the drip tray*

You can remove the drip tray for cleaning.

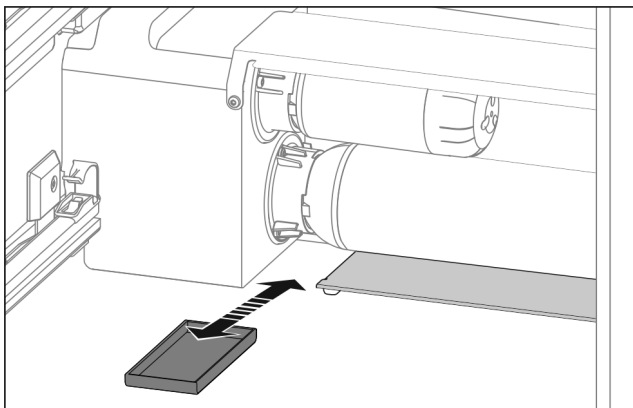


Fig. 235

- ▶ Pull out the drip tray to the front.

10.3 Water filter*

The water filter is located behind the lowest drawer. It filters out deposits in the water and reduces the taste of chlorine.

- Replace the water filter at least every 6 months, or if there is a significant reduction in the flow rate.
- The water filter contains carbon and can be disposed of with the regular household waste.

Note

Water filters are available from the Liebherr-Hausgeräte store at home.liebherr.com/shop/de/deu/zubehor.html.

10.3.1 Removing the water filter

- ▶ Remove the drawer compartment.

- ▶ Turn the water filter all the way anti-clockwise and pull it out.
- ▶ Water dripping out is collected in the drip tray.
- ▶ Clean the drip tray with a cloth or in the dishwasher.*

10.3.2 Inserting the water filter

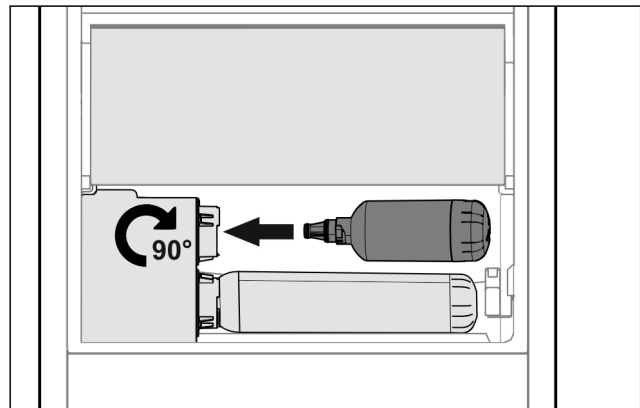


Fig. 236

- ▶ Remove the drawer compartment.
- ▶ Insert the water filter and rotate approx. 90° clockwise until it clicks in.
- ▶ Check that the filter is sealed and no water leaks out.
- ▶ Insert the drawer compartment.

Note

New water filters may contain suspended particles.*

- ▶ After replacing the filter: Draw and dispose of 3 l water at the InfinitySpring.

- ▶ The water filter is now ready for use.

10.4 Dismantling the door rack

It is possible to dismantle some of the door racks if you want to clean them or install or remove spare parts.

10.4.1 Dismantling the door rack

Ensure that the following requirements are met:

- Door rack has been removed. (see 9.2.2 Removing the door rack)

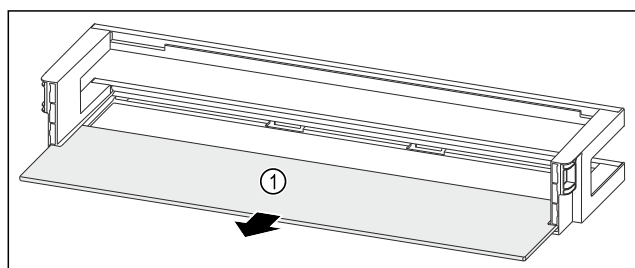


Fig. 237 Door rack with shelf

- ▶ Remove the shelf Fig. 237 (1).

10.4.2 Dismantling the door rack with Vario-Boxes

Ensure that the following requirements are met:

- Door rack has been removed. (see 9.2.2 Removing the door rack)

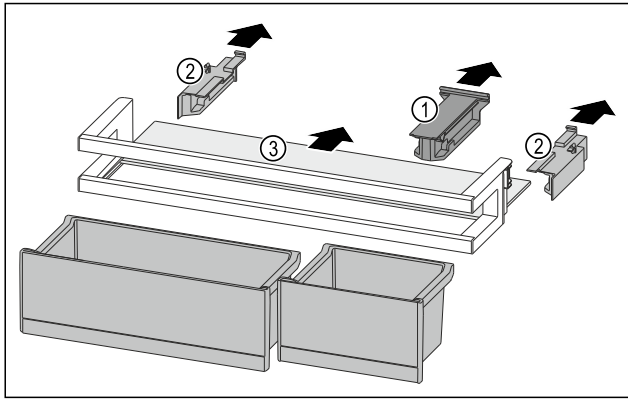


Fig. 238

- ▶ Remove the VarioBoxes. (see 9.2.1 Removing VarioBoxes)
- ▶ Pull off the holding part Fig. 238 (1).
- ▶ Pull off the side parts Fig. 238 (2).
- ▶ Remove the shelf Fig. 238 (3).

10.4.3 Dismantling the door rack with bottle holder

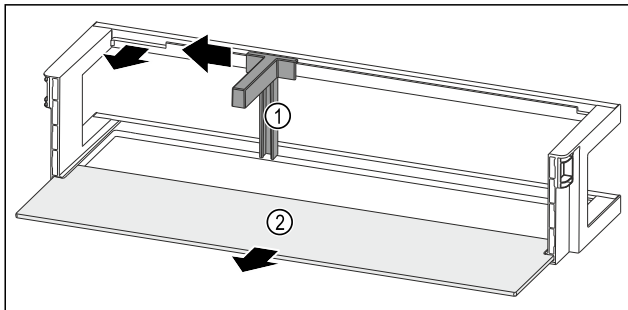


Fig. 239 Door rack with bottle holder and shelf

- ▶ Slide the bottle holder Fig. 239 (1) to the side as far as the recess.
- ▶ Remove the bottle holder Fig. 239 (1).
- ▶ Remove the shelf Fig. 239 (2).

10.5 Assembling the door rack

10.5.1 Assembling the door rack

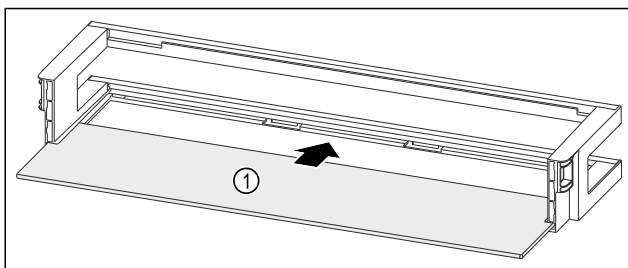


Fig. 240 Door rack with shelf

- ▶ Push the shelf Fig. 240 (1) into the side recesses.

10.5.2 Assembling the door rack with VarioBoxes

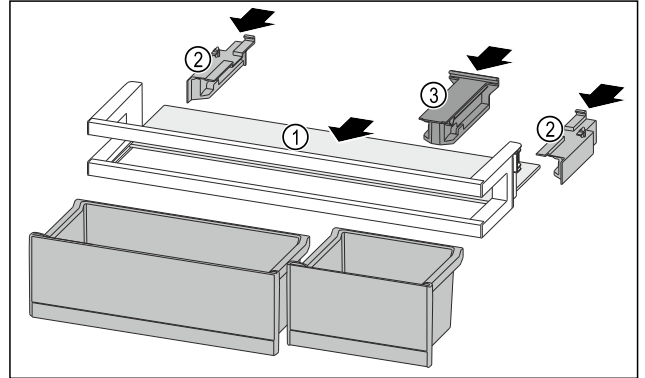


Fig. 241

- ▶ Push the shelf Fig. 241 (1) into the side recesses.
- ▶ Insert the side parts Fig. 241 (2).
- ▶ Insert the holding part Fig. 241 (3).
- ▶ Insert the VarioBoxes. (see 9.2.4 Inserting VarioBoxes)

10.5.3 Assembling the door rack with bottle holder

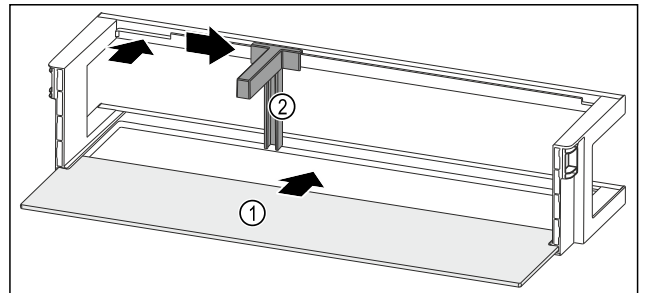


Fig. 242 Door rack with shelf

- ▶ Push the shelf Fig. 242 (1) into the side recesses.
- ▶ Insert the bottle holder Fig. 242 (2) in the recess.
- ▶ Push the bottle holder Fig. 242 (2) to the desired position to the side.

10.6 Disassembling / assembling pull-out systems

10.6.1 Notes on disassembly

You can disassemble some of the pull-out systems for cleaning. Your appliance can contain a variety of pull-out systems.

The following pull-out systems can be disassembled or cannot be disassembled:

Pull-out system	can be disassembled / cannot be disassembled
Fully extendible*	cannot be disassembled*
Fridge section partial pull-out*	cannot be disassembled*

10.7 Removing / inserting the variable bottle rack

The variable bottle rack can be removed for cleaning.

10.7.1 Removing the variable bottle rack

Ensure that the following requirements are met:

- ❑ Bottles have been removed.
- ❑ Glass shelf has been removed. (see 9.7.1 Using the variable bottle rack)

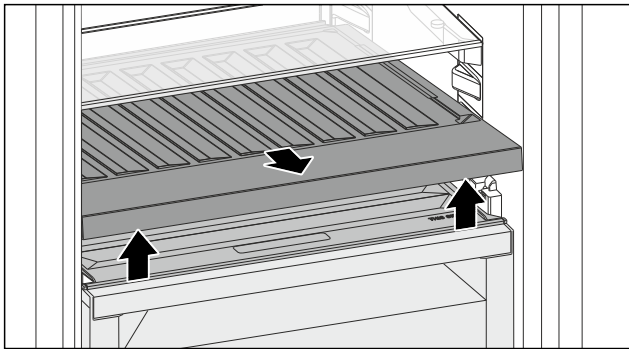


Fig. 243

- ▶ Lift the variable bottle rack at the front and pull it out.
- ▶ The compartment lid is visible.

Note

Liebherr recommends:

Do not place any items on the compartment lid below.

10.7.2 Inserting the variable bottle rack

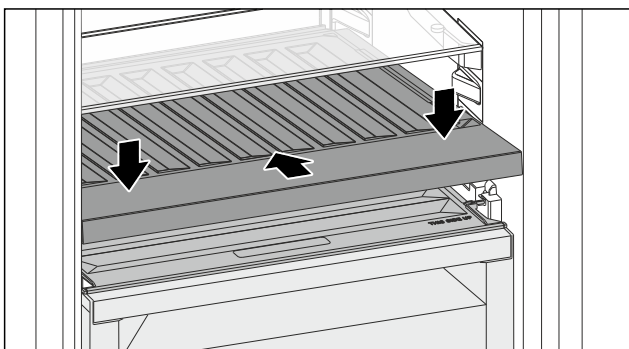


Fig. 244

- ▶ Push the variable bottle rack in to the end stop and press it down.
- ▶ The connectors at the back of the variable bottle rack are connected via automated processes.
- ▶ LED lights up.
- ▶ Insert the glass shelf. (see 9.7.2 Using the glass shelf)
- or-
- ▶ Use the variable bottle rack for bottles.

10.8 Compartment lid for Fruit & Vegetable Safe

You can remove the compartment lid for cleaning.

10.8.1 Removing the compartment lid

Ensure that the following requirements are met:

- ❑ The glass shelf directly above the variable bottle rack has been removed.
- ❑ The variable bottle rack has been removed.
- ❑ The drawer directly below the compartment lid has been removed. (see 9.8 Drawers)

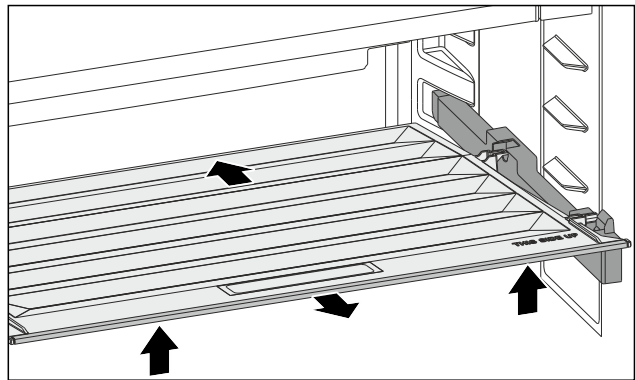


Fig. 245

- ▶ Push the compartment lid backwards.
- ▶ Lift the compartment lid forwards.
- ▶ Remove the compartment lid forwards and upwards at an angle.

10.8.2 Inserting the compartment lid

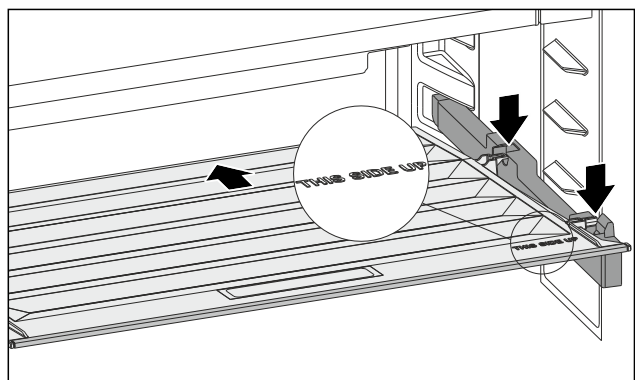


Fig. 246

If the THIS SIDE UP lettering is at the top:

- ▶ Insert the rear retaining parts into the relevant rear openings.
- ▶ Push the compartment lid backwards.
- ▶ Lower the compartment lid forwards and engage the front retaining parts into the openings.
- ▶ Move the compartment lid into the required position.

10.9 Defrosting the appliance



WARNING

Improper defrosting of the appliance!
Injuries and damage.

- ▶ Do not use mechanical equipment or other methods to speed up the defrosting process other than those recommended by the manufacturer.
- ▶ Do not use electrical heating or steam-cleaning appliances, naked flames or defroster sprays to defrost.
- ▶ Do not use sharp objects to remove ice.

Defrosting is performed automatically. The water from the thawing process drains through the outlet and evaporates.

- ▶ Clean the drain opening at regular intervals. (see 10.11 Cleaning the appliance)

10.10 Defrosting the freezer compartment manually*

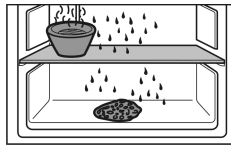
A layer of frost or ice forms after prolonged use.

The following factors promote the formation of frost or ice:

- The appliance is opened frequently.
- Hot food is put in.

Maintenance

- ▶ Switch the appliance off.
- ▶ Pull the mains plug out of the socket or switch the fuse off.
- ▶ Wrap the frozen food in newspaper or blankets and store in a cool place.



- ▶ Place a pan of hot water (not boiling) on the middle shelf.
- ▶ This speeds up the defrosting process.
- ▶ Leave the compartment and appliance door open during defrosting.
- ▶ Remove loosened pieces of ice.
- ▶ Soak up the melted ice water with a sponge or cloth several times as necessary.
- ▶ Clean the appliance. (see 10.11 Cleaning the appliance)

10.11 Cleaning the appliance

10.11.1 Ready



WARNING

Danger of electric shock!

- ▶ Remove the refrigerator connector or interrupt the power supply.



WARNING

Risk of fire

- ▶ Do not damage the refrigeration circuit.

- ▶ Empty the appliance.
- ▶ Remove mains connector.

-or-

- ▶ Activate CleaningMode. (see CleaningMode)

10.11.2 Cleaning the interior

NOTICE

Improper cleaning!

Damage to the appliance.

- ▶ Only use soft cleaning cloths and ph-neutral all-purpose cleaners.
- ▶ Do not use abrasive sponges or steel wool which may cause scratches.
- ▶ Do not use any sharp or abrasive cleaning agents, nor any that contain sand, chloride or acid.

- ▶ Plastic surfaces: clean by hand with a soft clean cloth, lukewarm water and a little detergent.
- ▶ Metal surfaces: clean by hand with a soft clean cloth, lukewarm water and a little detergent.
- ▶ Drain hole: remove deposits using a thin item (for example a cotton bud).

10.11.3 Clean the components

NOTICE

Improper cleaning!

Damage to the appliance.

- ▶ Only use soft cleaning cloths and ph-neutral all-purpose cleaners.
- ▶ Do not use abrasive sponges or steel wool which may cause scratches.
- ▶ Do not use any sharp or abrasive cleaning agents, nor any that contain sand, chloride or acid.

Clean with a soft, clean cloth, lukewarm water and some detergent:

- Shelf
- Dividing shelf
- VarioSafe
- Compartment lid for Fruit & Vegetable Safe
- Drawer
- Adjustable bottle shelf
- FlexSystem

Clean with a damp cloth:

- Retractable rails
Please note: The grease in the tracks is used for lubrication and must not be removed!

Wash in the dishwasher up to 60 °C:

- Door rack
- VarioBox
- Bottle rack
- Holder of the dividing shelf
- HydroBreeze water tank and water tank lid
- Drip tray*
- Egg rack
- Butter dish
- Ice cube tray*

- ▶ To disassemble components: see the relevant section.
- ▶ Clean the components.

10.11.4 Cleaning the InfinitySpring *

You can clean the InfinitySpring outlet and around it without disconnecting the appliance from the mains.

Cleaning is required in the following cases:

Initial operation

If out of use for more than 5 days.

- ▶ Press the bottom pushbutton of the dispenser.
- ▶ The outlet unit moves out.
- ▶ Clean the water outlet and around it with a soft, clean cloth, lukewarm water and some detergent.
- ▶ Release the bottom pushbutton.
- ▶ Draw and dispose of 2 l water at the InfinitySpring.

10.11.5 Cleaning the HydroBreeze

Cleaning is required in the following cases:

Initial operation

HydroBreeze is off for more than 48 hours.

Refill the water tank.

Ensure that the following conditions are met:

HydroBreeze is off (see HydroBreeze) .

Water tank has been removed and cleaned in the dishwasher.

- ▶ Wipe out the recess with a damp cloth.
- ▶ Insert the water tank.
- ▶ Activate the HydroBreeze.

10.11.6 After cleaning

- ▶ Wipe the appliance and the components dry.
- ▶ Connect and switch on the appliance.
The temperature is cold enough:
- ▶ Place the food inside.
- ▶ Repeat cleaning regularly.

11 Customer help

11.1 Technical specifications

Temperature range	
Cooling	3 °C to 9 °C
BioFresh	0 °C to 3 °C

Maximum ice cube quantity / 24 hours	
Freezer compartment*	see type plate under "Freezing capacity .../ 24 h" *

Lighting	
Class ¹	Light source
This product contains one or more energy efficiency class G light sources.	LED

¹ The appliance may contain light sources with different energy efficiency classes. The lowest energy efficiency class is indicated.

For appliances with a WiFi connection:

Frequency specification	
Frequency band	2.4 GHz
Maximum radiated power	< 100 mW
Purpose of the wireless equipment	Integration in the local WiFi network for data communication

11.2 Operating noises

The appliance makes different noises when it is on.

- At **higher temperatures** the appliance uses less energy but works for longer. It is **quieter**.
- At **lower temperatures** the food is cooled faster. It is **louder**.

Examples:

- Functions on (see 8.2 Appliance functions)
- Fan running
- Food recently added
- High ambient temperature
- Door open for a while

Noise	Possible cause	Type of noise
Bubbling and splashing	Coolant flowing into the cooling circuit.	Normal operating noise

Defect	Cause	Remedy
The appliance is not working.	→ The appliance is not switched on.	▶ Switch the appliance on.
	→ The power plug is not properly plugged into the socket.	▶ Check the power plug.
	→ There is something wrong with the power outlet fuse.	▶ Check the fuse.
	→ Power cut	▶ Keep the appliance closed. ▶ Safeguarding food: Place cold packs on top of food or use another freezer if the power cut lasts longer.*

Noise	Possible cause	Type of noise
Hissing	Coolant sprays into the cooling circuit.	Normal operating noise
Humming	The appliance is cooling. The volume depends on the cooling output.	Normal operating noise
Humming and rustling	The fan is running.	Normal operating noise
Clicking	Components are switched on and off.	Normal switching noise
Rattling or humming	Valves or flaps are working.	Normal switching noise

Noise	Possible cause	Type of noise	Lifting
Vibration	Improper installation	Defective noise	Check the installation. Level the appliance.
Rattling	Components, items inside the appliance	Defective noise	Secure components. Leave enough space between the items.

11.3 Technical fault

Your appliance is designed and built to ensure it works reliably and has a long service life. In the unlikely event that a fault occurs during operation, please check whether it is due to an operating error. If so, you will be charged for the callout and repair costs even if it falls within the warranty period.

You can fix the following faults yourself.

11.3.1 Appliance function

Customer help

Defect	Cause	Remedy
		▶ Do not refreeze defrosted food.*
	→ The IEC socket is not plugged into the appliance correctly.	▶ Check the IEC socket.
Temperature is not cold enough.	→ The appliance door is not closed properly.	▶ Close the appliance door.
	→ Not enough ventilation.	▶ Keep ventilation grille clear, and clean it.
	→ The ambient temperature is too high.	▶ Problem solution: (see 1.2 Climate classes)
	→ The appliance was opened too many times or for too long.	▶ Wait to see if the required temperature corrects itself. If not, contact Customer Service. (see 11.4 Customer Service)
	→ The temperature is set incorrectly.	▶ Turn down the temperature and check after 24 hours.
	→ The appliance is too close to a heat source (oven, radiator, etc).	▶ Move the appliance or the heat source.
	→ The appliance was not correctly installed in the recess.	▶ Check if the appliance was installed correctly and that the door closes properly.
The door seal is defective or needs to be replaced for another reason.	→ The door seal can be replaced. It can be replaced without the need for special tools.	▶ Contact Customer Service. (see 11.4 Customer Service)
The appliance builds up too much ice or condensation.	→ The door seal may have slipped out of its groove.	▶ Check that the door seal is well fitted in the groove.


11.3.2 Features

Defect	Cause	Remedy
The InfinitySpring is not working.*	→ There is air in the water system.	▶ Bleed the water system. (see 5.2 Putting InfinitySpring into operation*)
	→ The water connection is not open.	▶ Open the water connection.
The water flow through the InfinitySpring is irregular.*	→ The aerator is dirty.	▶ Replace aerator. Contact Customer Service. (see 11.4 Customer Service)
HydroBreeze is not keeping refrigerated goods moist.	→ The HydroBreeze is not on.	▶ Activate the HydroBreeze.
	→ There is not enough water in the water tank.	▶ Fill the water tank.
	→ There is dirt in front of the concentrator.	▶ Clean the HydroBreeze.
	→ The water tank is not clicked into place properly.	▶ Click the water tank into place.
	→ The compartment cover of the Fruit & Vegetable Safe is set to "low humidity".	▶ The compartment cover of the Fruit & Vegetable Safe is set to "high humidity".
The internal light does not come on.	→ The appliance is not switched on.	▶ Switch the appliance on.
	→ The door was open for longer than 15 minutes.	▶ Interior lighting switches off automatically after about 15 minutes when the door is open.
	→ The LED interior light is faulty or the lid is damaged.	▶ Contact Customer Service. (see 11.4 Customer Service)

Defect	Cause	Remedy
The freezer compartment cannot be closed.*	→ The lock is on when the door is open.	▶ Use the handle again.

Auto Door

AutoDoor FAQ

Defect	Cause	Remedy
The door opens at a different speed.	→ The speed of the door depends on how much is stored in it.	▶ No action is required.
The motor stops and the door does not close.	→ There are objects blocking the door.	▶ Remove the objects. ▶ Push the drawers all the way in. ▶ Wait a while. ▶ Move the door manually.
	→ The mechanism is blocked.	▶ To avoid damaging the hinge: Do not move the door against the motor. ▶ Contact Customer Service. (see 11.4.1 Contacting Customer Service)
	→ The motor is overheated.	▶ Let the motor cool down. ▶ Wait a while. ▶ Move the door manually.
The door opening angle cannot be saved.	→ The selected door opening angle is too small.	▶ Set a different door opening angle: Select a door opening angle of at least 70°. Liebherr recommends at least 90°, so that you can easily pull out the drawers. (see AutoDoor)
The door does not respond to knocking.	→ You are not knocking hard enough.	▶ Increase the sensitivity of the knocking sensor. The knocking sensor is on the hinge side on the narrow side of the door. (see the installation instructions)
	→ The knocking function is not activated.	▶ Activate the AutoDoor function. (see AutoDoor)
The door does not close by voice command.	→ The voice assistant is not set up.	▶ Set up the voice assistant. (see AutoDoor)
	→ You can find detailed information and tutorials at:	▶ home.liebherr.com/faq-autodoor

11.4 Customer Service

First check whether you can rectify the fault yourself (see 11 Customer help) . If you cannot rectify the problem, contact Customer Service.

You can find the address in the enclosed brochure "Liebherr-Service" or at home.liebherr.com/service.



WARNING

Unprofessional repair!
Injuries.

- ▶ Have any repairs and action - not expressly specified - on the appliance and mains cable carried out by service personnel only. (see 10 Maintenance)
- ▶ A damaged mains cable may only be replaced by the manufacturer, the manufacturer's Customer Service or a similarly qualified person.
- ▶ In the case of appliances with an IEC connector, the change may be made by the customer.

11.4.1 Contacting Customer Service

Make sure that the following appliance information is available:

- Appliance name (model and index)

Shutting down

- Service no. (Service)
- Serial no. (S no.)
- ▶ Call up the appliance information via the display. (see Device information)
- or-
- ▶ Refer to the type plate for appliance information. (see 11.5 Model plate)
- ▶ Note down the appliance information.
- ▶ Notify customer service: Report errors and the appliance information.
- ▶ This will help us to provide you with a faster, more accurate service.
- ▶ Follow further instructions from Customer Service.

11.5 Model plate

The model plate is behind the drawers on the inside of the appliance.

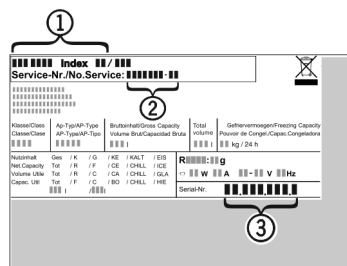


Fig. 247

- (1) Appliance description (3) Serial no.
- (2) Service no.
- ▶ Note the data on the model plate.

12 Shutting down

- ▶ Empty the appliance.
- ▶ Deactivate HydroBreeze. (see Deactivating HydroBreeze)
- ▶ Switch off appliance. (see Switching the appliance off and on)
- ▶ Pull the mains plug out of the socket.
- ▶ Remove the IEC socket if required: Pull the IEC socket out of the appliance plug and move it to the left and right at the same time.
- ▶ Clean appliance. (see 10.11 Cleaning the appliance)
- ▶ Leave the door open, so that no unpleasant odours arise.

13 Disposal

Ensure that the following requirements are met:

- Meaning of the symbols on the appliance: are familiar. (see 1.14 Symbols on the appliance)
- Notes on disposal are familiar. (see 1.8 Disposal)

13.1 Preparing the appliance for disposal

- ▶ Shutting your appliance down. (see 12 Shutting down)

13.2 Disposing of the appliance in an environmentally friendly manner



WARNING

Leaking coolant and oil!
Fire. The coolant contained in the appliance is eco-friendly, but also flammable. The oil contained in the appliance is flammable. Escaping coolant and oil can ignite if the concentration is high enough and in contact with an external heat source.

- ▶ Do not damage the pipelines of the coolant circuit and the compressor.
- ▶ Observe the notes on transporting the appliance. (see 3.6 Transporting the appliance)
- ▶ Remove the appliance without damaging it.
- ▶ Dispose of appliance according to specifications.

Scan QR Code and find
digital operating and
installation instructions.

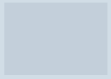


home.liebherr.com

20260423

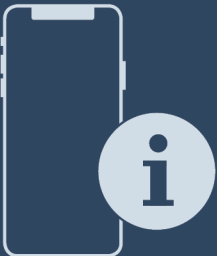
7088652-00

Liebherr-Hausgeräte GmbH
Memminger Straße 77-79
88416 Ochsenhausen
Deutschland

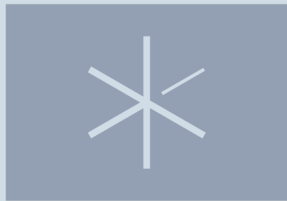
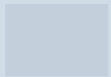


User Guide

Quality, Design and Innovation








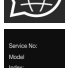




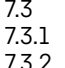
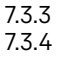













home.liebherr.com/fridge-manuals



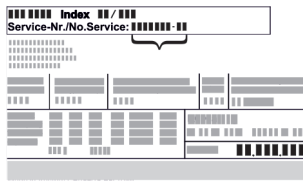






LIEBHERR

Contents

1	Safety information and warnings.....	3		IceMaker / MaxIce	16
1.1	Intended use.....	3		IceMaker water supply.....	18
1.2	Climate classes.....	3		TubeClean	18
1.3	User group.....	3		Display brightness.....	18
1.4	Installation and commissioning.....	3		Door alarm.....	19
1.5	Safe handling of the appliance.....	4		AutoDoor tone.....	19
1.6	Cleaning.....	4		Input lock.....	19
1.7	Faults, damage and repairs.....	4		Language.....	20
1.8	Disposal.....	4		Device information.....	20
1.9	Conformity.....	4		Software.....	20
1.10	SVHC substances in accordance with the REACH Regulation.....	4		Reminder.....	21
1.11	EPREL database.....	4		Demo mode.....	21
1.12	Open source licences.....	5		Resetting to factory settings.....	22
1.13	Spare parts.....	5		7.3 Messages.....	22
1.14	Symbols on the appliance.....	5		7.3.1 Overview of warnings.....	22
1.15	Warning levels.....	5		7.3.2 Ending warnings.....	23
2	Appliance at a glance.....	5		7.3.3 Overview of reminders.....	24
2.1	Scope of delivery.....	5		7.3.4 Ending reminders.....	25
2.2	Overview of appliances and equipment.....	5		8 Features.....	25
	AutoDoor.....	6		8.1 Drawers.....	25
2.4	SmartDevice.....	6		8.2 Pull-out board with IceTower.....	27
3	Functionality of the Touch & Swipe display.....	6		8.3 Glass shelves.....	28
3.1	Navigation and symbol explanation.....	6		8.4 IceMaker.....	29
3.2	Menus.....	7		8.5 VarioSpace.....	30
3.3	Sleep mode.....	7		8.6 Freezer pack.....	30
4	Putting into operation.....	7		8.7 Flexible ice compartment divider.....	30
4.1	Switching on appliance (first use).....	7		9 Maintenance.....	30
4.2	Starting the IceMaker for the first time.....	8		9.1 Disassembling / assembling pull-out systems.....	30
5	Storage.....	8		9.2 Defrosting the appliance.....	33
5.1	Information regarding storage.....	8		9.3 Cleaning the appliance.....	33
5.2	Freezer compartment.....	8		10 Customer help.....	33
5.3	Storage times.....	9		10.1 Technical specifications.....	33
6	Saving energy.....	9		10.2 Operating noises.....	34
7	Controls.....	9		10.3 Technical fault.....	34
7.1	Controls and displays.....	9		10.4 Customer Service.....	36
7.1.1	Status display.....	9		10.5 Model plate.....	37
7.1.2	Display symbols.....	9		11 Shutting down.....	37
7.2	Appliance functions.....	9		12 Disposal.....	37
7.2.1	Notes on the appliance functions.....	9		12.1 Preparing the appliance for disposal.....	37
	Switching the appliance off and on.....	10		12.2 Disposing of the appliance in an environmentally friendly manner.....	37
	WiFi.....	10			
	Temperature.....	11			
	Temperature unit.....	11			
	AutoDoor	11			
	SuperFrost.....	14			
	Start defrosting cycle.....	15			
	PartyMode	15			
	SabbathMode.....	15			
	EnergySaver	16			

The manufacturer is continually working on the further development of all types and models. Please be aware that we reserve the right to make changes to the shape, equipment and technology.

Symbol	Explanation
	Read instructions Please read the information in these instructions carefully to understand all of the benefits of your new appliance.
	Additional information on the Internet The digital manual with additional information and in other languages can be found via the QR code on the front of the manual or by entering the service number at home.liebherr.com/fridge-manuals . The service number can be found on the serial tag: <div style="text-align: center;">  </div> <p style="text-align: center;"><i>Fig. Example illustration</i></p>
	Check appliance Check all parts for transport damage. If you have any complaints, please contact your agent or customer service.
	Differences These instructions apply to a range of models, so differences are possible. Sections that apply to certain models only are marked with an asterisk (*).
	Instructions and results Instructions are marked with a ▶. Results are marked with a ▷.
	Videos Videos about the appliances are available on the YouTube channels of Liebherr-Hausgeräte.

Open source licences:

The appliance contains software components that use open source licences. Information on the open source licences used can be found here: home.liebherr.com/open-source-licences

These operating instructions apply to:

SIFNAd	5188
--------	------

Note

If your appliance has an N in its appliance designation, it is a NoFrost appliance.

1 Safety information and warnings

Keep this user information in a safe place so that you can refer to it at any time.

If you pass on the appliance, pass this user information on to subsequent owners.

To use the appliance properly and safely, read this user information carefully before installation and use. Always follow the instructions, safety instructions and warnings contained therein. They are important so that you can install and operate the appliance safely and properly.

1.1 Intended use

This appliance is intended for household use and similar applications such as:

- in staff kitchen areas in shops, offices and other work areas
- in agricultural environments and by guests in hotels, motels and other accommodation
- in bed and breakfasts
- in catering and similar wholesale operations

All other types of application are impermissible.

1.2 Climate classes

Depending on its climate class, the appliance is designed for operation within certain ambient temperature limits. The climate class for your appliance is printed on the type plate.

Note

- ▶ In order to guarantee fault-free operation comply with the specified ambient temperatures.

Climate class	for ambient temperatures from
SN	10 °C to 32 °C
N	16 °C to 32 °C
ST	16 °C to 38 °C
T	16 °C to 43 °C
SN-ST	10 °C to 38 °C
SN-T	10 °C to 43 °C

1.3 User group

- This appliance can be used by children aged from 8 years and above and persons with reduced physical, sensory or mental capabilities or lack of experience and knowledge if they have been given supervision or instruction concerning use of the appliance in a safe way and understand the hazards involved.
- Children must not play with the appliance.
- Children must not carry out cleaning and user maintenance without supervision.
- Children aged from 3 to 8 years are allowed to load and unload refrigerating appliances.

1.4 Installation and commissioning

- Only install and connect the appliance in accordance with the instructions in the user information.
- Install the appliance according to the instructions in the user information to prevent the appliance from tipping over.
- Do not close the ventilation openings in the appliance housing or in the installation housing.
- Do not damage the mains cable. The appliance must not be operated with a defective mains cable.
- Do not place portable multiple sockets or power supply units at the rear of the appliance.
- It must be easy to access the socket so that the appliance can be quickly disconnected from the power supply in case of an emergency. It must not be behind the appliance.

Safety information and warnings

Appliances with fixed water connection:

- Only connect the fixed water connection to the drinking water supply to avoid poisoning from contaminated water.
- Only connect the appliance to the drinking water supply using the new hose set supplied with the appliance. Do not reuse old hose sets, dispose of them instead.

1.5 Safe handling of the appliance

- Do not store any explosive substances, such as aerosol containers with flammable propellant gas, in the appliance. These types of aerosol can be identified by the list of contents printed on it, or by a flame symbol. Any leaking gas may ignite due to electrical parts.
- Keep burning candles, lamps and other objects with naked flames away from the appliance, so that these do not set fire to the appliance.
- Alcoholic beverages and other containers bearing alcohol must be sealed tight for storage. Any leaking alcohol may ignite due to electrical parts.
- Avoid prolonged skin contact with cold surfaces or with cold/frozen food. Use gloves for protection, for example.
- The refrigerant contained (information on the type plate) is environmentally friendly but flammable. Leaking refrigerant may ignite.
 - Do not damage the refrigeration circuit.
 - Do not use any ignition sources inside the appliance.
 - Do not use electrical appliances inside the appliance (e.g. steam cleaners, heaters).
 - If the refrigerant leaks: remove any naked flames or ignition sources from the vicinity of the leakage point. Properly air the room. Inform customer service.
- Only open the door for a short time. This prevents the temperature inside the appliance from rising.
- Do not reach between the door and the appliance when opening and closing. Fingers may become trapped.
- The temperature in the warmest part of the appliance may be higher than the set temperature.

Note for appliances with AutoDoor to avoid injury and damage:

- While the door is closing automatically, keep the door area clear and do not reach in.
- Do not open, close or block the door by hand against the automatic door movement in order to avoid damaging the drive unit.
- If the door closes automatically, extended drawers and telescopic rails may be damaged.
 - Push the drawers in fully before the door closes automatically.
 - If drawer has been removed: Push the telescopic rails in fully before the door closes automatically.

1.6 Cleaning

- Regularly clean surfaces that come into contact with food.
- Do not use an electric heater or steam cleaner, naked flames or defrost spray to speed up the defrosting process.
- Do not remove the ice with sharp objects.

1.7 Faults, damage and repairs

- If the mains connection cable of the appliance is damaged, replace the mains connection cable.

- Repairs and interventions on the appliance may only be carried out by the customer service or by other qualified personnel trained for this purpose.
- In the event of malfunctions and appliance faults, pull out the mains plug or switch off the fuse. Always hold the plug when pulling out the mains plug. Never tug on the cable.

1.8 Disposal

- The appliance contains valuable materials and is marked with the appropriate symbol. (see 1.14 Symbols on the appliance)
 - Do not dispose of the appliance in the household waste.
 - Dispose of the appliance free of charge at your local recycling centre using the Class 1 collection containers.
 - When purchasing a new appliance, return the old appliance to the retailer free of charge.
 - Provide information about return options.
- Your appliance may contain personal data.
 - Delete personal data before disposal.
- The appliance contains refrigerant (information on the type plate) and oil. The refrigerant inside the appliance is environmentally friendly, but flammable. The oil it contains is also flammable. Escaping refrigerant and oil can ignite in high concentrations and in contact with an external heat source.
 - Do not damage the refrigeration circuit.
 - Only dispose of the appliance in accordance with the instructions in the user information.

1.9 Conformity

The coolant circuit has been tested for leak-tightness. When installed, the appliance complies with the relevant safety regulations and directives.

For the EU market: The appliance complies with Directive 2014/53/EU.

For GB market: The appliance complies with the Radio Equipment Regulations 2017 SI 2017 No. 1206.

The full text of the EU Declaration of Conformity is available at the following web address: www.liebherr.com

1.10 SVHC substances in accordance with the REACH Regulation

You can use the following link to check whether your appliance contains SVHC substances in accordance with the REACH Regulation:

home.liebherr.com/en/en/liebherr-experience/sustainability/environment/scip/scip.html

1.11 EPREL database

From 1 March 2021, the information on energy labelling and eco-design requirements will be available in the European product database (EPREL). The product database can be accessed via the following link <https://eprel.ec.europa.eu/>. Here, you are asked to enter the model identifier. You will find the model identifier on the type plate.

1.12 Open source licences

The appliance contains software components that use open source licences. Information on the open source licences used can be found here:

home.liebherr.com/open-source-licences

1.13 Spare parts

The spare parts availability for functional parts and stockable parts of the equipment is 15 years.

1.14 Symbols on the appliance

	This symbol may be found on the compressor. It pertains to the oil in the compressor and indicates the following danger: Can be fatal if swallowed or with penetration of the respiratory tract. This information is only significant for recycling. No risk exists with normal use. Do not remove this symbol.
	Warning: Fire hazard due to flammable substances. This symbol is located on the compressor and can also be found in other places on the appliance. This symbol warns of flammable substances. Do not remove this symbol.
	This or a similar symbol may be on the rear of the appliance. It indicates that there are vacuum insulation panels (VIP) or perlite panels in the door and/or housing. This information is only significant for recycling. Do not remove this symbol.
	This symbol is located on the type plate. It indicates that the appliance contains valuable materials and that you must not dispose of it with household waste. (see 1.8 Disposal)

1.15 Warning levels

	DANGER	Identifies an immediately dangerous situation that will result in death or serious bodily injuries if it is not prevented.
	WARNING	Identifies a dangerous situation that could result in death or serious bodily injury if it is not prevented.
	CAUTION	Identifies an immediately dangerous situation that could result in slight or moderate injuries if it is not prevented.
ATTENTION		Identifies a hazardous situation that could result in property damage if it is not prevented.
Note		Identifies useful information and tips.

2 Appliance at a glance

2.1 Scope of delivery

Check all parts for transport damage. Contact your dealer or customer service in the event of complaints. (see 10.4 Customer Service)

Your new appliance comes with the following parts:

- Built-in appliance
- Features (depending on the model)
- Installation materials (depending on the model)
- "Quick Start Guide"
- Service Brochure

2.2 Overview of appliances and equipment

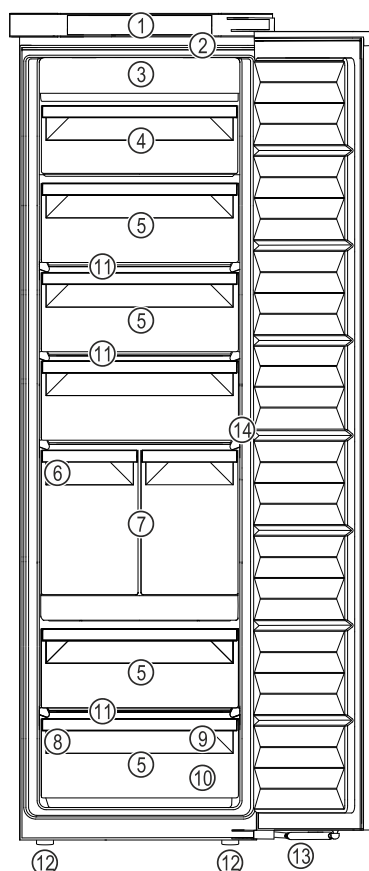


Fig. 1 Example illustration

- | | |
|---|---|
| <ul style="list-style-type: none"> (1) Controls (2) LED interior light (3) NoFrost (4) Tilting drawer (5) Drawer (6) IceMaker (7) IceTower | <ul style="list-style-type: none"> (8) Type plate (9) Freezer tray, cold storage accumulator (10) Ice cube scoop (11) VarioSpace (12) Adjusting feet (13) Soft-closing mechanism (14) Knock sensor |
|---|---|

Note

- Shelves, drawers and baskets are arranged for optimum energy efficiency when the appliance is delivered. Changing how the shelves, for example, are inserted in the fridge compartment does not have any impact on energy consumption.




Functionality of the Touch & Swipe display

AutoDoor

Your appliance is equipped with AutoDoor.

You can open the door in various ways:

- by hand
- by knocking
- by smartphone
- by voice command

	<p>Knocking</p> <p>You can open and close the door by knocking on it with your hand. You can configure the knocking signal using the display and controls. You can change the sensitivity to knocking at any time.</p>
	<p>Smartphone</p> <p>You can open and close the door by smartphone. To do this you must install the SmartDevice app on your smartphone and connect your appliance to the WiFi. You make all the settings in the SmartDevice app.</p>
	<p>Voice command</p> <p>You can open and close the door by voice command. To do this you must install the SmartDevice app on your smartphone, connect your appliance to the WiFi and use a suitable voice assistant. You make all the settings in the SmartDevice app.</p>



You can find detailed information and tutorials at:
home.liebherr.com/faq-autodoor

2.4 SmartDevice

SmartDevice is the networking solution for your freezer.

If your appliance SmartDevice-enabled or compatible, you can quickly and easily connect your appliance to your WiFi. With the SmartDevice app, you can operate your appliance from a mobile device. Additional functions and setting options are available in the SmartDevice SmartDevice app.

SmartDevice-enabled appliance: Your appliance is capable of being a SmartDevice. To be able to connect your device to WiFi, you need to download the SmartDevice app.

More information about SmartDevice: smartdevice.liebherr.com

Downloading the SmartDevice app:



After installing and configuring the SmartDevice app, you can connect your appliance to your Wi-Fi (see WiFi) using the SmartDevice app and the appliance's Wi-Fi function.

Note



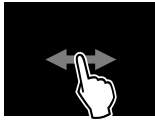





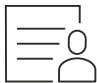
The SmartDevice function is not available in the following countries: Russia, Belarus, Kazakhstan.

3 Functionality of the Touch & Swipe display

You operate your appliance using the Touch & Swipe display. You select appliance functions in the Touch & Swipe display (hereafter referred to as display) by tapping them. If you do not perform any action on the display for 10 seconds, the display either jumps back to the higher-level menu or directly to the status display.

3.1 Navigation and symbol explanation

In the illustrations, different symbols are used to navigate the display. The following table describes these symbols.


Symbol	Description
	<p>Briefly touch the display:</p> <p>Activates/deactivates function. Confirms selection. Opens submenu.</p>
	<p>Touch the display for a specified time (e.g. 3 seconds):</p> <p>Activates/deactivates function or value.</p>
	<p>Swipe left or right:</p> <p>Navigate in the menu.</p>
	<p>Briefly touch the Back symbol:</p> <p>Jumps back one menu level.</p>
	<p>Press and hold the Back symbol for 3 seconds:</p> <p>Jumps back to the status display.</p>
	<p>Arrow with clock:</p> <p>It takes more than 10 seconds for the following message to appear in the display.</p>
	<p>Arrow with a time indication:</p> <p>It takes the specified amount of time until the following message appears in the display.</p>
	<p>“Open Settings menu” symbol:</p> <p>Navigates to the Settings menu and opens the settings menu. If necessary: Navigate to the desired function in the Settings menu. (see 3.2.1 Opening the Settings menu)</p>
	<p>“Open Advanced menu” symbol:</p> <p>Navigates to the Advanced menu and opens the advanced menu. If necessary: Navigate to the desired function in the Advanced menu. (see 3.2.2 Opening the expanded menu)</p>

Symbol	Description
No action for 10 seconds	If you do not perform any action on the display for 10 seconds, the display either jumps back to the higher-level menu or directly to the status display.
Close the door and open it again.	If you close the door and immediately open it again, the display jumps directly back to the status display.

Note: Illustrations of the display are shown in the English version.

3.2 Menus

The appliance functions are distributed over various menus:

Menu	Description
Main menu	When you switch the appliance on, you are automatically in the main menu. From here you can navigate to the most important appliance functions, to the Settings menu and to the Advanced menu.
 Settings menu	The Settings menu contains additional appliance functions for setting up your appliance.
Advanced menu	The advanced menu contains special appliance functions for setting up your appliance. Access to the Advanced menu is protected by the numerical code 151 .

3.2.1 Opening the Settings menu

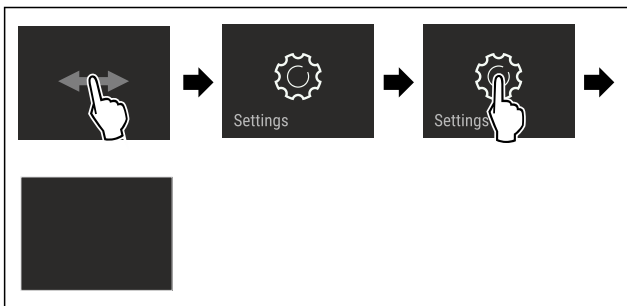


Fig. 2 Example illustration

- ▶ Carry out action steps according to the illustration.
- ▶ Settings menu is open.
- ▶ If necessary: Navigate to the desired function.

3.2.2 Opening the expanded menu



Fig. 3

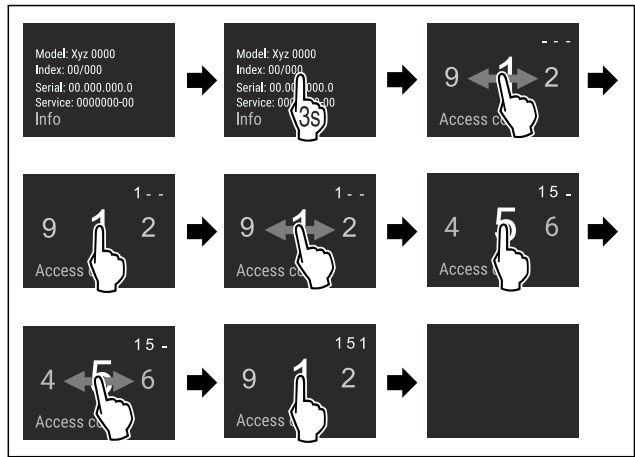


Fig. 4 Example illustration, access with numerical code **151**

- ▶ Carry out action steps according to the illustration.
- ▶ The expanded menu is open.
- ▶ If necessary: Navigate to the desired function.

3.3 Sleep mode

If you do not touch the display for 1 minute, the display switches to sleep mode. In sleep mode, the display brightness is dimmed.

3.3.1 Ending sleep mode

- ▶ Touch the display briefly with your finger.
- ▶ Sleep mode is ended.

4 Putting into operation

4.1 Switching on appliance (first use)

Make sure that the following requirements are fulfilled:

- The appliance is properly installed and connected according to the installation instructions.
- All adhesive strips, adhesive and protective films and transport locks are removed from inside and on the appliance.
- All marketing leaflets are removed from the drawers.
- You are familiar with the functionality of the Touch & Swipe display. (see 3 Functionality of the Touch & Swipe display)

Switch on the appliance using the Touch & Swipe display:

- ▶ If the display is in sleep mode: Briefly touch the display.
- ▶ Carry out action steps according to the illustration.

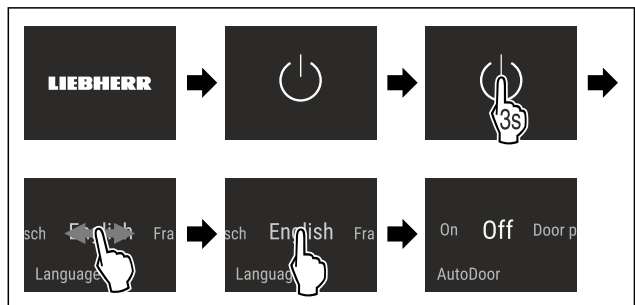


Fig. 5 Example illustration

- ▶ Activate AutoDoor. (see AutoDoor)
- or-
- ▶ Do not activate AutoDoor.

Note

If you do not activate AutoDoor, you can always open or close the door manually.

Storage

- ▷ Status display appears.
- ▷ The appliance cools to the temperature set at the factory.
- ▷ The appliance starts in demo mode (status display with DEMO appears): If the appliance starts in demo mode, you can deactivate demo mode within the next 5 minutes. (see Demo mode)

More information:

- Start the IceMaker for the first time. (see 4.2 Starting the IceMaker for the first time)
- Start the SmartDevice for the first time. (see 2.4 SmartDevice) and (see WiFi)

Note

The manufacturer recommends:

- ▶ **Store frozen foods** at -18 °C or colder.
- ▶ Observe the notes on storing food. (see 5.1 Information regarding storage)

Note

Accessories can be purchased from the Liebherr-Hausgeräte store at home.liebherr.com/shop/de/deu/zubehor.html.

4.2 Starting the IceMaker for the first time

If your appliance is equipped with IceMaker, you must clean the IceMaker **before using it for the first time**.

Make sure that the following requirements are fulfilled:

- The water supply has been connected. See Installation Guide or mounting instructions.
- The appliance is properly installed and connected.
- ▶ Clean the IceMaker. (see 9.3.4 Cleaning the IceMaker)

5 Storage

5.1 Information regarding storage



WARNING

Fire hazard from electrical appliances!

If you use electrical appliances in the food area of your appliance, they can cause a fire.

- ▶ Do not use electrical appliances in the food area of the appliance unless recommended by the manufacturer.

Note

The energy consumption increases and the cooling power goes down if ventilation is not sufficient.

- ▶ Always keep air slots clear.

Observe the following specifications for storage:

- Package food properly.
- Package raw meat or fish in clean, closed containers. This will prevent meat or fish from touching or dripping onto other food.
- Leave space between goods to ensure good air circulation.
- Store food according to the instructions on the packaging.
- Always observe the best-before date indicated on the packaging.

Note

Failure to follow these guidelines can lead to foodstuffs spoiling.

5.2 Freezer compartment

Here, a dry, frosty storage climate is created at -18 °C. A frosty storage climate is suitable for storing frozen food for several months, for making ice cubes or freezing fresh food.

5.2.1 Freezing food

Freezing quantity

The maximum amount of fresh food that you can freeze within 24 hours is specified on the type plate (see 10.5 Model plate) under "Freezing capacity ... kg/24h".

To ensure that food quickly freezes through, adhere to the following quantities per package:

- Fruit and vegetables up to 1 kg
- Meat up to 2.5 kg

Freezing food using SuperFrost

Depending on the quantity to be frozen, you can activate SuperFrost before freezing in order to achieve lower freezing temperatures. (see SuperFrost)

- ▶ Activate SuperFrost if the amount of food you have to freeze is more than approx. 2 kg.

The time at which you activate SuperFrost depends on the amount of food you have to freeze:

Freezing quantity	Time at which you should activate SuperFrost
Small amount of food to freeze	Activate SuperFrost about 6 hours before freezing. As soon as the appliance automatically deactivates SuperFrost, you can rearrange the food.
Maximum amount of food to freeze	Activate SuperFrost about 24 hours before freezing. As soon as the appliance automatically deactivates SuperFrost, you can rearrange the food.

Arranging your food properly



CAUTION

Risk of injury from broken glass!

Bottles and cans with beverages can burst during freezing. This applies in particular to carbonated beverages.

- ▶ Only freeze bottles and cans with beverages if you have activated the BottleTimer function in the SmartDevice app.

Appliance height < 1220 mm	
Freezing quantity	Arranging your food properly
Small amount of food to freeze	Distribute packaged groceries throughout all drawers. If possible, place groceries at the back of the drawer near the rear wall.
Maximum amount of food to freeze	Distribute packaged groceries throughout all drawers. If possible, place groceries at the back of the drawer near the rear wall.

Appliance height ≥ 1220 mm	
Freezing quantity	Arranging your food properly
Small amount of food to freeze	Distribute packaged groceries throughout all drawers, but do not place any groceries in the top drawer.
Maximum amount of food to freeze	Distribute packaged groceries throughout all drawers. If possible, place groceries at the back of the drawer near the rear wall.

5.2.2 Defrosting food



WARNING

Risk of food poisoning!

- ▶ Do not re-freeze thawed food.
- ▶ Use defrosted foodstuff as soon as possible.

You can defrost food in several ways:

- In a fridge
- In the microwave
- In the oven/fan-assisted oven
- At room temperature
- ▶ Take out only as much food as necessary.

5.2.3 Freezer tray

You can freeze berries, herbs, vegetables and other small frozen food in the freezer tray without it all freezing together. The frozen food is less likely to get squashed and subsequent portioning is easier.

In addition, you can store the cold storage accumulators in the freezer tray to save space.

- ▶ Distribute food on the freezer tray without packaging and well spaced out.

5.3 Storage times

Refer to the specified storage times as a guide.

In the case of foods with a minimum shelf life, the date indicated on the packaging still applies.

Recommended storage period for various types of food		
Ice cream	at -18 °C	2 to 6 months
Sausages, ham	at -18 °C	2 to 3 months
Bread, baked goods	at -18 °C	2 to 6 months
Game, pork	at -18 °C	6 to 9 months
Fatty fish	at -18 °C	2 to 6 months
Lean fish	at -18 °C	6 to 8 months
Cheese	at -18 °C	2 to 6 months
Poultry, beef	at -18 °C	6 to 12 months
Vegetables, fruit	at -18 °C	6 to 12 months

6 Saving energy

- Pay attention to good ventilation. Do not cover ventilation holes or grids.
- Always keep the fan air slits clear.

- Do not install the appliance in direct sunlight or near radiators or similar sources of heat.
- If the appliance is installed directly next to an oven, the energy consumption may increase slightly. This is dependent on the service life and usage intensity of the oven.
- Energy consumption depends on the installation conditions, e.g. the ambient temperature. A warmer ambient temperature can increase the energy consumption.
- Open the appliance for as short a time as possible.
- The lower the temperature is set the higher the energy consumption.
- Keep all food properly packed and covered. This prevents frost from forming.
- Inserting warm food: allow to cool down to room temperature first.

7 Controls

7.1 Controls and displays

7.1.1 Status display

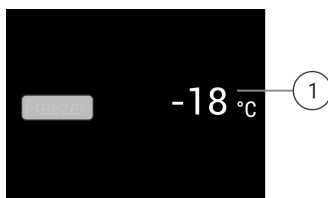


Fig. 6 The status display shows the actual temperature.

(1) Temperature display

The status display shows the actual temperature and is the initial display. Navigation to the functions takes place from there.

7.1.2 Display symbols

Display symbols provide information on the current appliance status:

Symbol	Appliance status
	Standby The appliance or temperature zone is switched off.
	Flashing number Appliance is working. Temperature flashes until the set temperature is reached.
	Flashing symbol Appliance is working. Setting is made.

7.2 Appliance functions

7.2.1 Notes on the appliance functions

The appliance functions are set at the factory so that your appliance is fully functional.

Controls

Before you alter, activate or deactivate the device functions, make sure that the following requirements are met:

- ❑ You have read and understood the descriptions of how the display works. (see 3 Functionality of the Touch & Swipe display)
- ❑ You have familiarised yourself with the operating and display elements of your appliance.



Switching the appliance off and on

Use this function to switch the entire appliance off and on.

Switching off the appliance

When you switch the appliance off, then the previously saved settings are saved.

Make sure that the following requirements are fulfilled:

- ❑ Handling instructions (see 11 Shutting down) are carried out.



Fig. 7

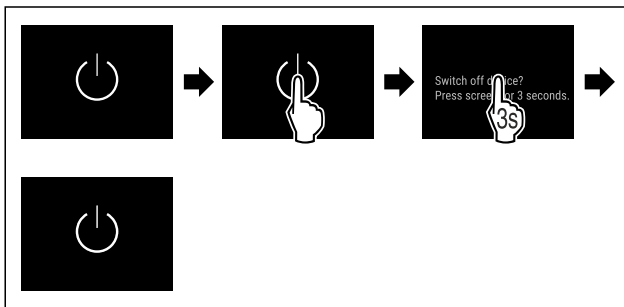


Fig. 8

- ▶ Carry out action steps according to the illustration.
- ▶ Appliance is switched off.
- ▶ The standby symbol appears in the display.
- ▶ Display turns black.

Switching on the appliance

If the display is in sleep mode:

- ▶ Briefly touch the display.

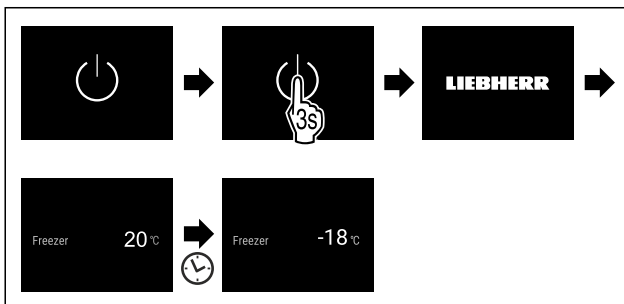


Fig. 9 Example illustration

- ▶ Carry out action steps according to the illustration.
- ▶ When the appliance starts in demo mode:
- ▶ Deactivating demo mode. (see Deactivating demo mode)
- ▶ The appliance is switched on.
- ▶ Previous settings are restored.
- ▶ The appliance cools to the target temperature set.



WiFi

Use this function to connect your appliance to WiFi. You can then operate it via the SmartDevice app on a mobile device. You can also use this function to disconnect or reset the WiFi connection.

More information on the SmartDevice: (see 2.4 SmartDevice)

Note

The SmartDevice function is not available in the following countries: Russia, Belarus, Kazakhstan.

Establishing the WiFi connection for the first time

Make sure that the following requirements are fulfilled:

- ❑ You have installed the SmartDevice app (see apps.home.liebherr.com).
- ❑ Registration in the SmartDevice app is completed.



Fig. 10

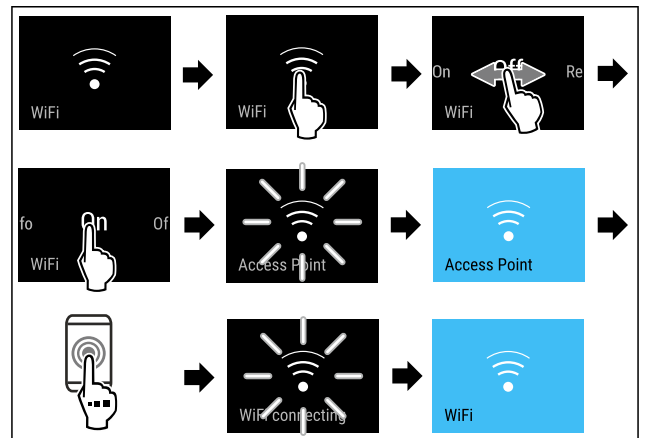


Fig. 11

- ▶ Carry out action steps according to the illustration.
- ▶ Connection is established.

Disconnecting from the WiFi

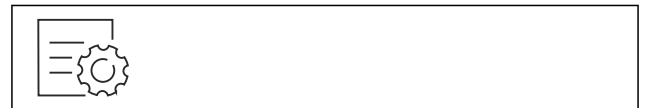


Fig. 12

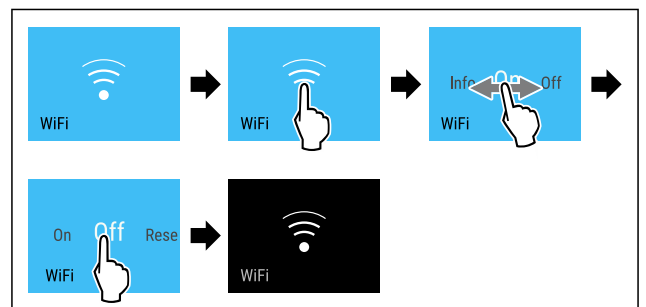


Fig. 13

- ▶ Carry out action steps according to the illustration.
- ▶ There is no connection.

Resetting the WiFi connection



Fig. 14

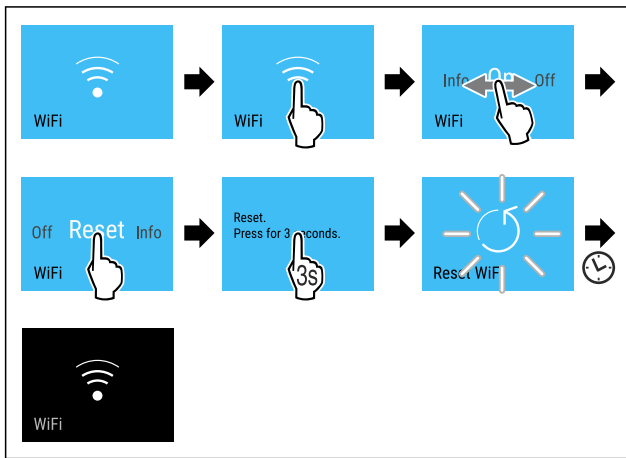


Fig. 15

- ▶ Carry out action steps according to the illustration.
- ▶ WiFi connection and other WiFi settings are reset to factory settings.

Showing information about the WiFi connection

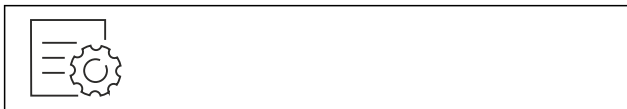


Fig. 16

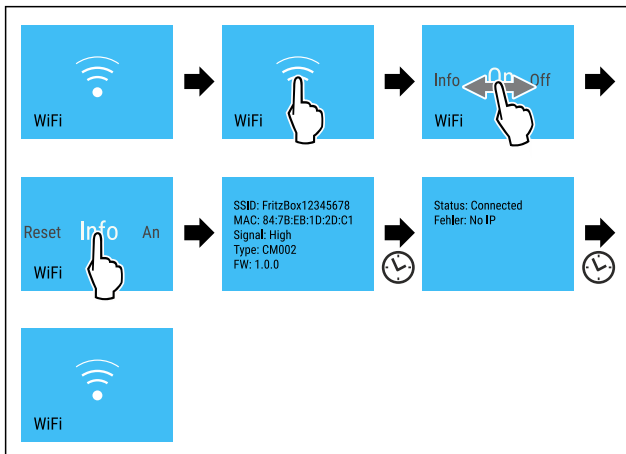


Fig. 17

- ▶ Carry out action steps according to the illustration.

-18°C Temperature

Use this function to set the temperature.

The temperature depends on the following factors:

- Frequency of door opening
- Duration of door opening
- Room temperature of the installation site
- Type, temperature and quantity of food

Freezer compartment	Factory-set temperature	Recommended setting
-18°C	-18 °C	-18 °C

Setting the temperature

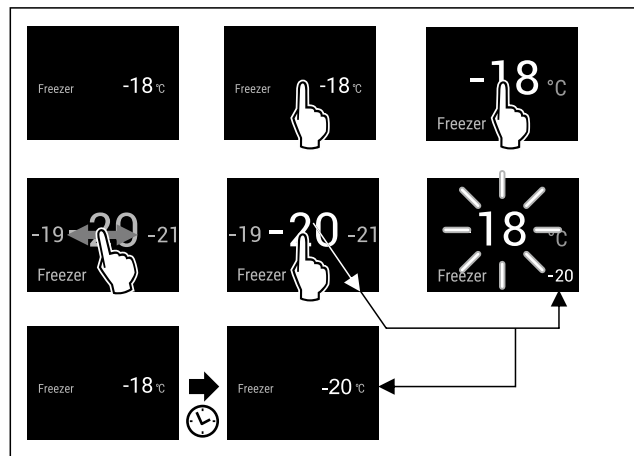


Fig. 18 Example illustration

- ▶ Carry out action steps according to the illustration.
- ▶ Temperature is set.

°C/°F Temperature unit

Use this function to set the temperature unit. You can set degrees Celsius or degrees Fahrenheit as the temperature unit.

Setting the temperature unit



Fig. 19

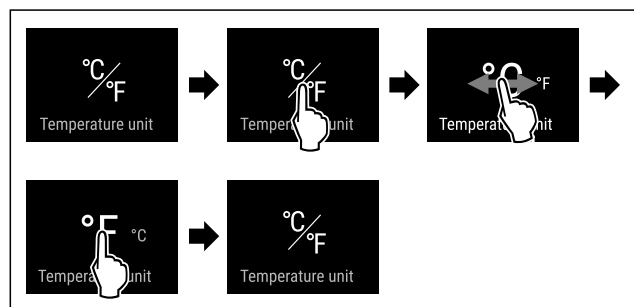


Fig. 21 Example illustration: Switch from degrees Celsius to degrees Fahrenheit.

- ▶ Carry out action steps according to the illustration.
- ▶ The temperature unit is set.

AutoDoor

Use this function to activate and configure AutoDoor when commissioning the device or at a later time. If you have already activated and configured AutoDoor, deactivate AutoDoor with this function. This function can also be used to configure the door opening angle.

If AutoDoor is activated, the door can be opened in different ways:

- by knocking signal

Controls

- by smartphone
- by voice command

Note

If you do not activate AutoDoor, you can always open or close the door manually.

If the function is active, the device operates at higher power. As a result, the device's operating noise may be temporarily louder and energy consumption will increase.



Activating and configuring AutoDoor for the first time

Activate and configure AutoDoor for the first time either directly during **commissioning** of the device or at a later time.



Fig. 22

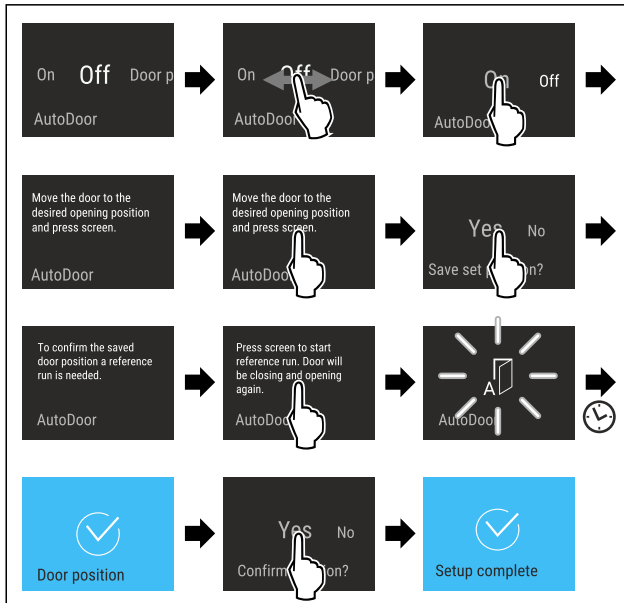


Fig. 23

- ▶ Carry out the steps shown in the illustration until the display prompts you to move the door to the desired position.
- ▶ To configure the door opening angle: Open door at least 70°.
- ▶ Ensure that the door does not touch any neighbouring furniture or walls.
- ▶ To confirm the door opening angle: Touch the display for a short time as per the illustration.
- ▶ To save the door opening angle: Confirm the message in the display as shown.



CAUTION

Risk of injury from automatic opening and closing of the door!

- ▶ Keep the door opening area clear.
- ▶ Do not reach into the hinge with your hand.
- ▶ Do not block the door.

NOTICE

Damage to the drawers and telescopic rails from automatic closing of the door!

- ▶ Before the door closes: Push the drawers all the way in.
- ▶ Before the door closes and when drawer has been removed: Push the telescopic rails all the way in.



Fig. 24

To set the door opening angle, the device must perform a reference run of the door.

- ▶ To start a reference run: Touch the display for a short time as per the illustration.
- ▶ Reference run starts.
- ▶ AutoDoor symbol flashes.
- ▶ If reference run is successful: Display turns blue for 2 seconds.
- ▶ A confirmation signal sounds.
- ▶ Confirm the message in the display as shown.
- ▶ Display turns blue.
- ▶ A confirmation signal sounds.
- ▶ AutoDoor configuration is complete.
- ▶ Door can be opened by knocking signal.



Deactivating and activating AutoDoor

You have already activated and configured AutoDoor. You wish to deactivate and activate AutoDoor.

Deactivating AutoDoor

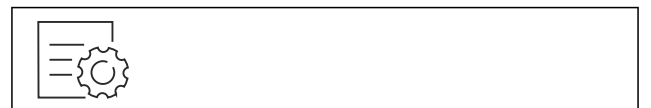


Fig. 25

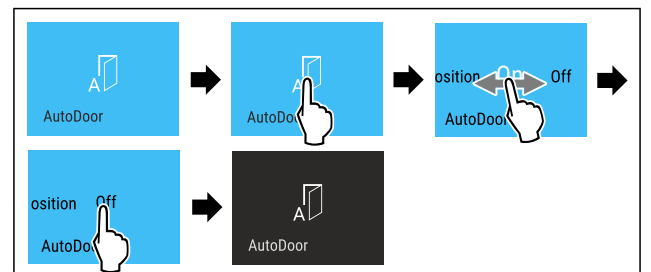


Fig. 26

- ▶ Carry out action steps according to the illustration.
- ▶ AutoDoor is deactivated.
- ▶ Door can be opened manually by hand.

Activating AutoDoor



Fig. 27

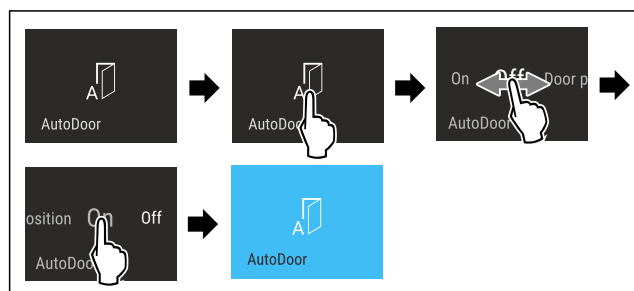


Fig. 28

- ▶ Carry out action steps according to the illustration.
- ▶ AutoDoor is activated.
- ▶ Door can be opened by knocking signal.
- ▶ Previously set door opening angle is still saved.

Changing the door opening angle

You have already configured a door opening angle and you wish to change it.

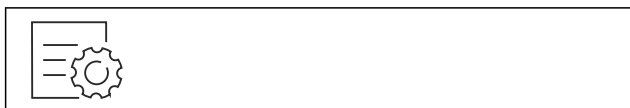


Fig. 29

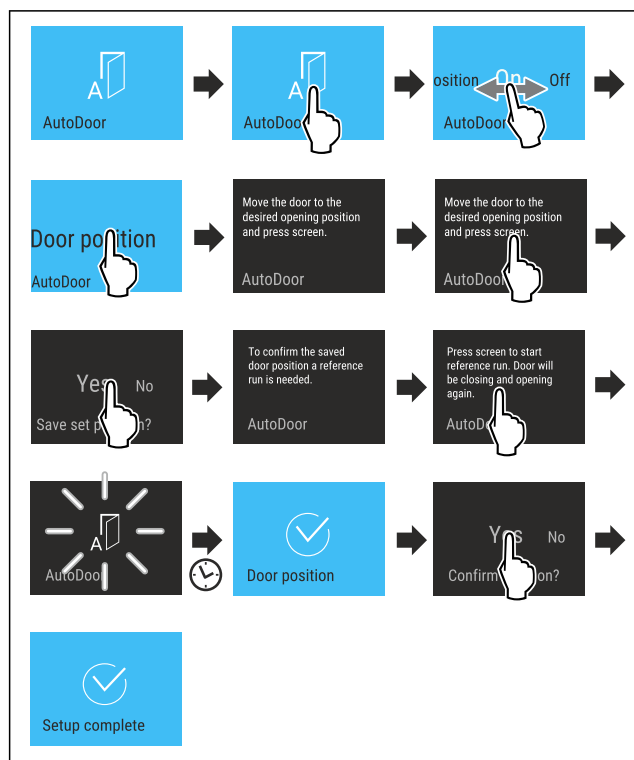


Fig. 30

- ▶ Carry out the steps shown in the illustration until the display prompts you to move the door to the desired position.
- ▶ To configure the door opening angle: Open door at least 70°.
- ▶ Ensure that the door does not touch any neighbouring furniture or walls.

- ▶ To confirm the door opening angle: Touch the display for a short time as per the illustration.
- ▶ To save the door opening angle: Confirm the message in the display as shown.



CAUTION

Risk of injury from automatic opening and closing of the door!

- ▶ Keep the door opening area clear.
- ▶ Do not reach into the hinge with your hand.
- ▶ Do not block the door.

NOTICE

Damage to the drawers and telescopic rails from automatic closing of the door!

- ▶ Before the door closes: Push the drawers all the way in.
- ▶ Before the door closes and when drawer has been removed: Push the telescopic rails all the way in.



Fig. 31

To set the door opening angle, the device must perform a reference run of the door.

- ▶ To start a reference run: Touch the display for a short time as per the illustration.
- ▶ Reference run starts.
- ▶ AutoDoor symbol flashes.
- ▶ If reference run is successful: Display turns blue for 2 seconds.
- ▶ A confirmation signal sounds.
- ▶ Confirm the message in the display as shown.
- ▶ Display turns blue.
- ▶ A confirmation signal sounds.
- ▶ Door opening angle is configured.



Adjusting the sensitivity of the knocking signal

You can use a switch *Fig. 32 (1)* to adjust the sensitivity of the knocking sensor. The switch is on the bottom third of the door on the hinge side.

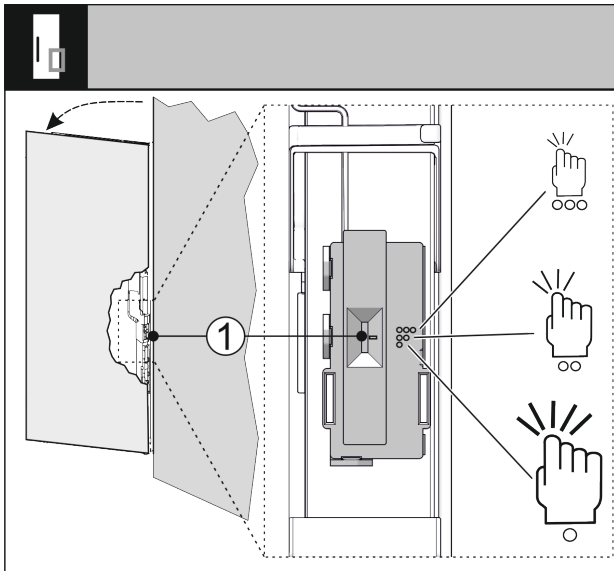


Fig. 32

Switch position	Symbol	Importance
Top	○○○	High sensitivity, gentle knocking sufficient.
Middle	○○	Moderate sensitivity, normal knocking required. This setting is the default.
Bottom	○	Less sensitive, strong knocking required.

- ▶ Move the switch Fig. 32 (1) to the required switch position.
- ▶ The sensitivity is set.



Using AutoDoor with a smartphone

- You wish to use the smartphone for opening and closing.
- ▶ Activate and configure AutoDoor. (see Activating and configuring AutoDoor for the first time)
- ▶ Install the SmartDevice app on your smartphone.
- ▶ Establishing WLAN connection on the device. (see WiFi)
- ▶ To register the device in the SmartDevice app: Follow the instructions in the SmartDevice app.
- ▶ Door can be opened by smartphone in addition to the knocking signal.



Using AutoDoor with voice command

- You want to use a voice command for opening and closing.
- ▶ Activate and configure AutoDoor. (see Activating and configuring AutoDoor for the first time)
- ▶ Install the SmartDevice app on your smartphone.
- ▶ Establishing WLAN connection on the device. (see WiFi)
- ▶ To register the device in the SmartDevice app: Follow the instructions in the SmartDevice app.
- ▶ Install voice assistant.
- ▶ Door can be opened by voice assistant in addition to the knocking signal.



You can find further information and tutorials at:

home.liebherr.com/faq-autodoor



SuperFrost

You can use this function to activate or deactivate SuperFrost. If SuperFrost is activated, then the appliance increases the freezing capacity. It allows you to achieve lower freezing temperatures.

Application:

- Quickly freeze fresh food through to the core. This ensures that the nutrition, appearance and taste of frozen food is maintained.
- Increase the cold reserve in stored frozen food before defrosting the appliance.

If the function is active, the appliance operates at higher power. As a result, the appliance's operating noise may be temporarily louder and energy consumption will increase.

If the door is open for too long, e.g. because you are putting food in, the appliance automatically checks whether the actual temperature in the appliance matches the set temperature. If the difference exceeds a certain value, the appliance automatically cools more vigorously. As a result, the temperature shown on the display may be higher than the actual temperature in the appliance. This is normal and your appliance is working correctly.

Activating SuperFrost

Make sure that the following requirements are fulfilled:

- ❑ Freezing quantity and time for activation of SuperFrost are taken into account. (see Freezing food using SuperFrost)



Fig. 33

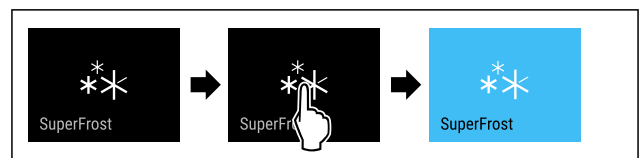


Fig. 34

- ▶ Carry out action steps according to the illustration.

-or-

- ▶ Activate with the SmartDevice app.

- ▶ SuperFrost is activated.
- ▶ The temperature display turns blue.

Deactivating SuperFrost

SuperFrost is automatically deactivated after 56 to 72 hours depending on the quantity of the food inserted. However, you can also deactivate SuperFrost manually at any time:



Fig. 35

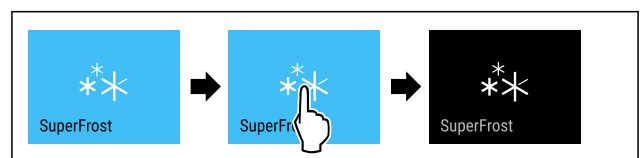


Fig. 36

- ▶ Carry out action steps according to the illustration.
- or-
- ▶ Deactivate with the SmartDevice app.
- ▶ SuperFrost is deactivated.
- ▶ The appliance continues to run in normal mode.
- ▶ The appliance cools to the temperature set previously.

Start defrosting cycle

Use this function to start the automatic defrosting cycle manually if it does not start automatically in the event of a fault.

Starting defrosting cycle

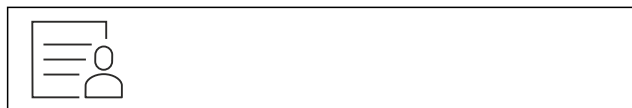


Fig. 37

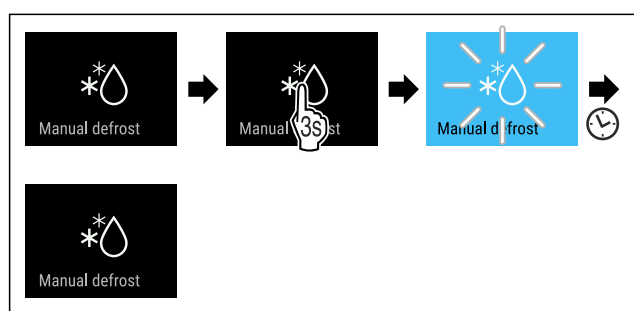


Fig. 38

- ▶ Carry out action steps according to the illustration.
- ▶ Defrosting cycle has started: Icon flashes until defrosting cycle is automatically completed.
- ▶ When defrosting cycle is finished: The device continues to run in normal mode.

Cancelling defrosting cycle

The defrosting cycle will be stopped automatically. However, you can also cancel the defrosting cycle at any time during the defrosting process:

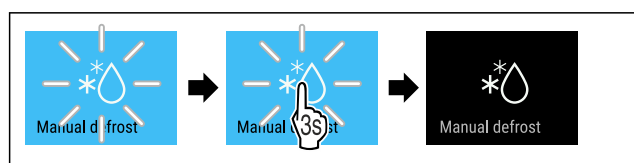


Fig. 39

- ▶ Carry out action steps according to the illustration.
- ▶ Defrosting cycle is cancelled.
- ▶ The device continues to run in normal mode.

PartyMode

You can use this function to activate or deactivate PartyMode. PartyMode activates various functions that are useful for a party.

PartyMode activates the following functions:

- SuperFrost (see SuperFrost)
- IceMaker with MaxIce (see IceMaker / MaxIce)

You can adjust all listed functions individually and flexibly. When you deactivate PartyMode, all changes are discarded. If the function is active, the device operates at higher power. As a result, the device's operating noise may be temporarily louder and energy consumption will increase.

Activating PartyMode

Make sure that the following requirements are fulfilled:

- The IceMaker has been started. (see 4.2 Starting the IceMaker for the first time)

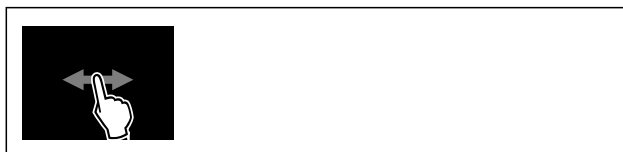


Fig. 40



Fig. 41

- ▶ Carry out action steps according to the illustration.
- ▶ PartyMode and the associated functions are activated.
- ▶ The temperature display turns blue.
- ▶ The current temperature flashes until the target temperature is reached.

Deactivating PartyMode

The PartyMode is automatically deactivated after 24 seconds. However, you can also deactivate PartyMode manually at any time:

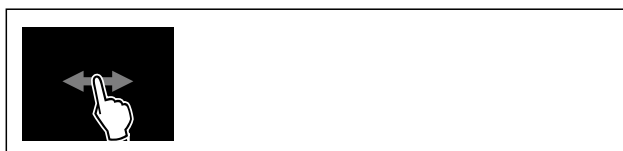


Fig. 42



Fig. 43

- ▶ Carry out action steps according to the illustration.
- ▶ PartyMode is deactivated.
- ▶ The appliance cools to the temperature set previously: The current temperature flashes until the target temperature is reached.

SabbathMode

You can use this function to activate or deactivate SabbathMode. If you activate this function, some electronic functions are switched off. As a result, your device meets the religious requirements for Jewish holidays such as Sabbath and complies with STAR-K Kosher certification.

Device status when SabbathMode is active
The status display shows SabbathMode permanently.
All functions on the display are locked except for the Deactivate SabbathMode function .
Active functions remain active.
The display remains bright when you close the door.
The interior lighting is deactivated.

Device status when SabbathMode is active
Reminders are not implemented. The set time interval stops.
Reminders and warnings are not displayed.
There is no door alarm.
There is no temperature alarm.
The IceMaker is switched off.
The defrosting cycle operates only for the specified time, without considering the appliance consumption.
After a power failure, the appliance returns to SabbathMode.

Device status

Note

This appliance has certification from the "Institute for Science and Halacha". (www.machonhalacha.co.il)

You can find a list of STAR-K-certified appliances at www.star-k.org/appliances.

Activating SabbathMode



WARNING

Danger of food poisoning from spoiled food!
If you have SabbathMode activated and a power failure occurs, no message appears in the status display about the power failure. Once the power is restored, the appliance continues to operate in SabbathMode. The power failure may mean that food spoils and the consumption of this food could lead to food poisoning.

After a power failure:

- ▶ Do not consume food that was frozen and has thawed out.

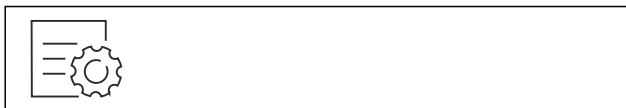


Fig. 44

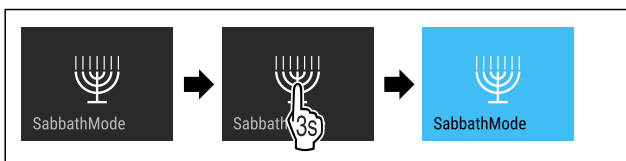


Fig. 45

- ▶ Carry out action steps according to the illustration.
- ▶ SabbathMode is activated.
- ▶ The status display shows SabbathMode permanently.

Deactivating SabbathMode

The SabbathMode is automatically deactivated after 80 hours. However, you can also deactivate SabbathMode manually at any time:

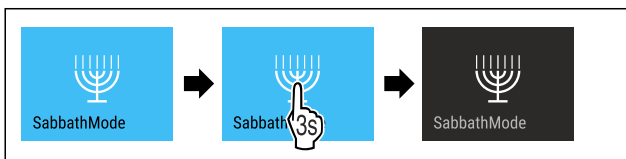


Fig. 46

- ▶ Carry out action steps according to the illustration.
- ▶ SabbathMode is deactivated.



EnergySaver

You can use this function to activate or deactivate Energy saving mode. If energy saving mode is activated, the energy consumption decreases and the temperature in the device increases. The food remains fresh, but the shelf life is shortened.

Temperature zone	Recommended setting (see Setting the temperature)	Temperature with active EnergySaver
-18 °C	-18 °C	-16 °C

Temperatures

Activating EnergySaver



Fig. 47

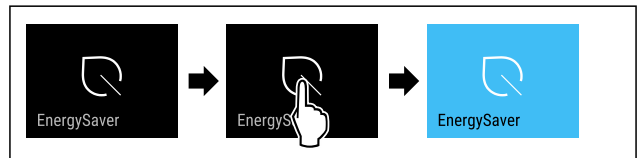


Fig. 48

- ▶ Carry out action steps according to the illustration.
- ▶ Energy saving mode is activated.

Deactivating EnergySaver



Fig. 49

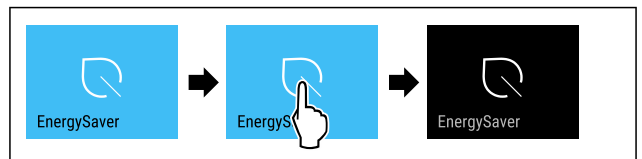


Fig. 50

- ▶ Carry out action steps according to the illustration.
- ▶ Energy saving mode is deactivated.



IceMaker / MaxIce

Use the IceMaker function to activate or deactivate the production of ice cubes. Use the MaxIce function to increase the amount of ice cubes produced by the IceMaker. MaxIce is automatically deactivated after 48 hours. However, you can also deactivate MaxIce manually at any time: (see Deactivating MaxIce)

More information on the number of ice cubes:	(see 10.1 Technical specifications)
Further information on the IceMaker water supply:	(see IceMaker water supply)

More information on cleaning (see TubeClean) the lines of the IceMaker:

If the function is active, the device operates at higher power. As a result, the device's operating noise may be temporarily louder and energy consumption will increase.

Activating IceMaker

Make sure that the following requirements are fulfilled:

- The water supply is established at the fixed water connection. See installation instructions.
- IceMaker is put into operation. (see 8.4 IceMaker)



Fig. 51

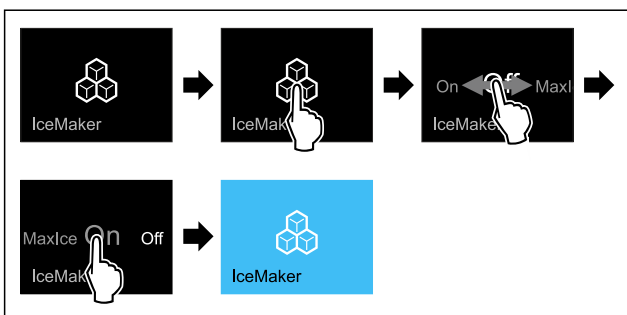


Fig. 52

- ▶ Carry out action steps according to the illustration.
- or-
- ▶ Activate with the SmartDevice app.
- ▶ IceMaker is activated. It can take up to 24 hours for the IceMaker to produce the first ice cubes.

Activating the IceMaker with MaxIce

If you have not activated the IceMaker function before, make sure that the following requirements are met:

- The water supply is established at the fixed water connection. See installation instructions.
- IceMaker is put into operation. (see 8.4 IceMaker)

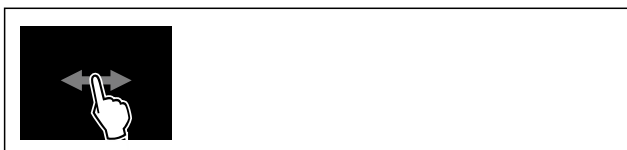


Fig. 53

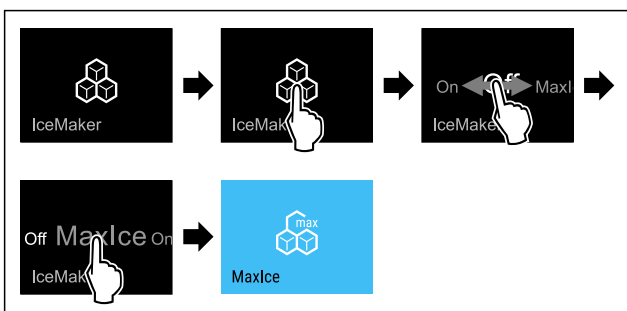


Fig. 54

- ▶ Carry out action steps according to the illustration.
- or-
- ▶ Activate with the SmartDevice app.
- ▶ The IceMaker is activated with MaxIce.

Changing between the IceMaker and MaxIce

If you have activated the IceMaker and would like to change to MaxIce:



Fig. 55

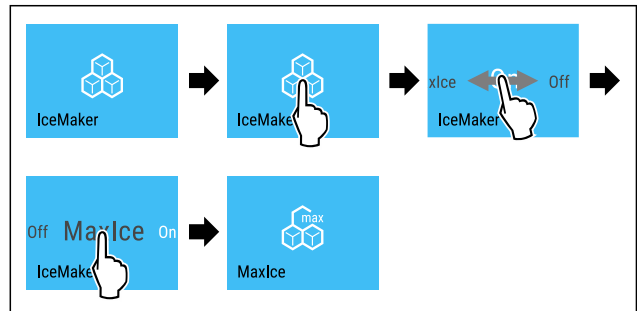


Fig. 56

- ▶ Carry out action steps according to the illustration.
- ▶ The IceMaker is activated with MaxIce.

If you have activated MaxIce and would like to change to the IceMaker:



Fig. 57

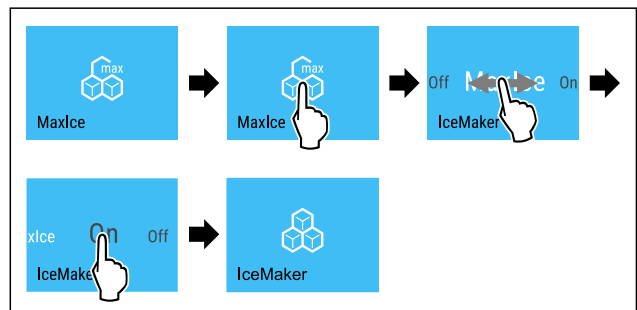


Fig. 58

- ▶ Carry out action steps according to the illustration.
- ▶ IceMaker is activated.
- ▶ MaxIce is deactivated.

Deactivating the IceMaker and MaxIce



Fig. 59

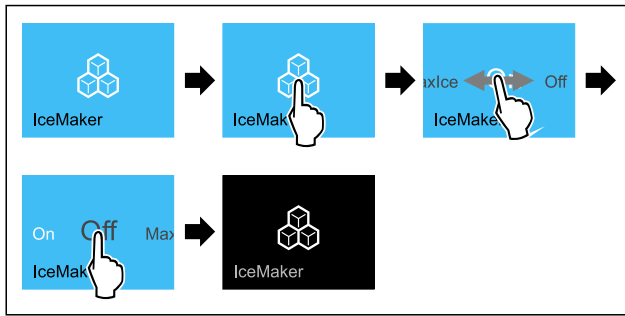


Fig. 60 Example illustration of the active IceMaker function

- ▶ Carry out action steps according to the illustration.
- or-
- ▶ Deactivate with the SmartDevice app.
- ▷ IceMaker and MaxIce are deactivated.
- ▷ If ice cubes are currently being made, the system completes the process.
- ▷ The IceMaker goes off automatically.

Deactivating MaxIce

- ▶ Activate the IceMaker. (see Activating IceMaker)
- ▷ MaxIce is deactivated.
- ▷ IceMaker is activated.
- ▷ To deactivate the IceMaker and MaxIce: (see Deactivating the IceMaker and MaxIce)

5

IceMaker water supply

Use this function to set the water supply. The water supply regulates the amount of water supplied. The water supply can be changed if it does not match the water pressure and the ice cube size dispensed.

The water supply is pre-set to value 4 as delivered. A value from 1 (smallest inflow volume) to 8 (largest inflow volume) can be selected.

Setting water supply

Make sure that the following requirements are fulfilled:

- The IceMaker has been started. (see 4.2 Starting the IceMaker for the first time)
- IceMaker is activated. (see IceMaker / MaxIce)



Fig. 61

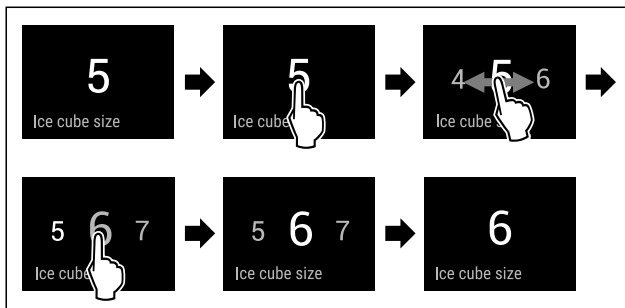


Fig. 62 Example illustration: Switch from value 5 to value 6.

- ▶ Carry out action steps according to the illustration.
- ▷ The water supply is set.



TubeClean

You can use this function to activate or deactivate TubeClean. If TubeClean is activated, it cleans the IceMaker lines.

Activating TubeClean

Make sure that the following requirements are fulfilled:

- IceMaker cleaning is prepared. (see 9.3.4 Cleaning the IceMaker)
- Empty container with a capacity of 1.5 l and with a maximum height of 10 cm is ready.
- ▶ Place the container in the drawer under the IceMaker.



Fig. 63

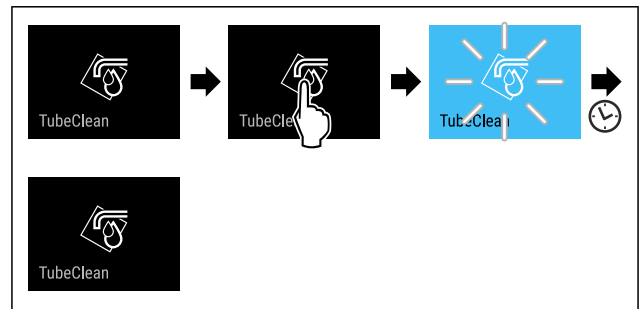


Fig. 64

- ▶ Carry out action steps according to the illustration.
- ▷ TubeClean is activated.
- ▷ The cleaning process has started: Icon flashes until the cleaning process is automatically completed after 60 minutes.
- ▷ When the cleaning process is complete: The device continues to run in normal mode.

Deactivating TubeClean

TubeClean is automatically ended after 60 minutes. However, TubeClean can also be deactivated at any time during the cleaning process:

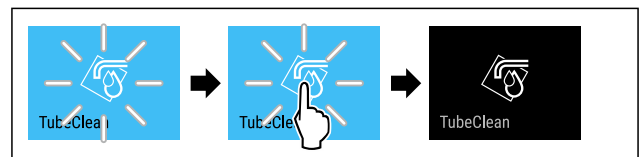


Fig. 65

- ▶ Carry out action steps according to the illustration.
- ▷ TubeClean is deactivated: Cleaning process is aborted.
- ▷ The device continues to run in normal mode.



Display brightness

Use this function to set the display brightness in stages.

You can select the following brightness levels:

- 40 %
- 60 %
- 80 %
- 100 % (pre-setting)

Setting the brightness



Fig. 66

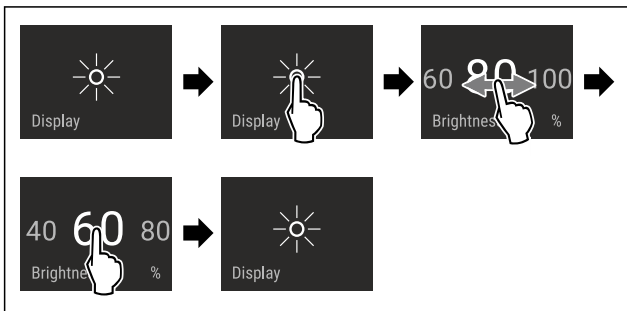


Fig. 67 Example illustration: Switch from 80 % to 60 %.

- ▶ Carry out action steps according to the illustration.
- ▶ The brightness is set.

Door alarm

Use this function to activate or deactivate the door alarm. The door alarm sounds if the door is open for too long. The door alarm is activated on delivery. You can set how long the door may be open before the door alarm sounds.

The following values can be set:

- 1 minute
- 2 minutes
- 3 minutes
- Off

Setting the door alarm



Fig. 68

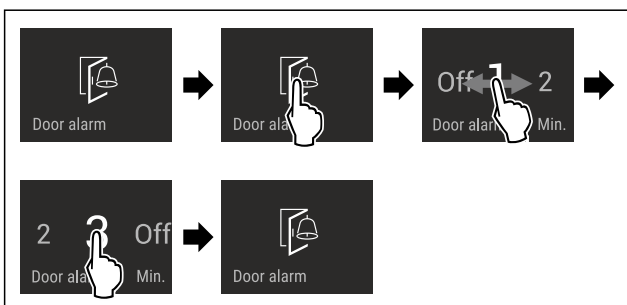


Fig. 69 Example illustration: Change door alarm from 1 minute to 3 minutes.

- ▶ Carry out action steps according to the illustration.
- ▶ The door alarm is set.

Deactivating the door alarm



Fig. 71

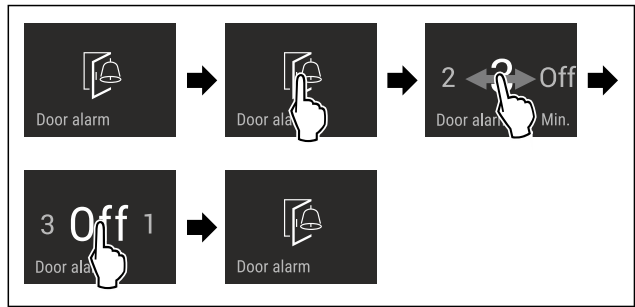


Fig. 72

- ▶ Carry out action steps according to the illustration.
- ▶ The door alarm is deactivated.

AutoDoor tone

You can use this function to activate or deactivate the AutoDoor tone. The AutoDoor tone is activated on delivery.

Activating the AutoDoor tone



Fig. 73

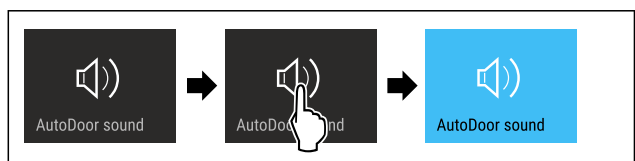


Fig. 74

- ▶ Carry out action steps according to the illustration.
- ▶ AutoDoor tone is activated.

Deactivating the AutoDoor tone

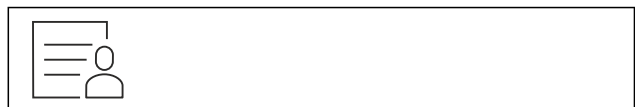


Fig. 75

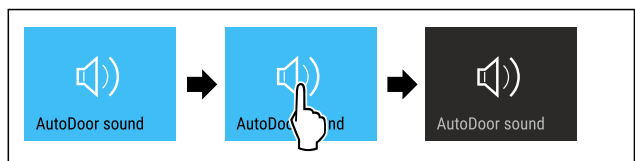


Fig. 76

- ▶ Carry out action steps according to the illustration.
- ▶ AutoDoor tone is deactivated.

Input lock

You can use this function to activate or deactivate the input lock. The input lock prevents the appliance being operated accidentally, e.g. by children.

Application:

- Avoid unintentional modification of functions.
- Avoid unintentional switching off of the device.
- Avoid unintentional temperature setting.

Activating the input lock

If you activate the input lock, you can continue to navigate in the menus but you cannot select or change other functions.



Fig. 77

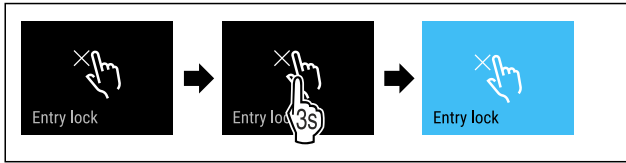


Fig. 78

- ▶ Carry out action steps according to the illustration.
- ▷ Input lock is activated.

Deactivating the input lock



Fig. 79

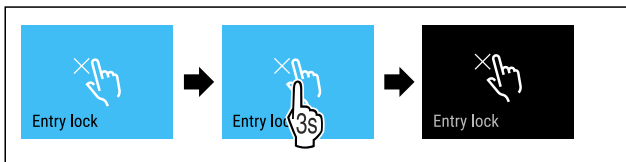


Fig. 80

- ▶ Carry out action steps according to the illustration.
- ▷ Input lock is deactivated.



Language

Use this function to set the display language.

You can select the following languages:

- Deutsch
- English
- Français
- Español
- Italiano
- Nederlands
- Čeština
- Polski
- Português
- Bulgarian
- Русский
- 温度单位

Setting the language



Fig. 81

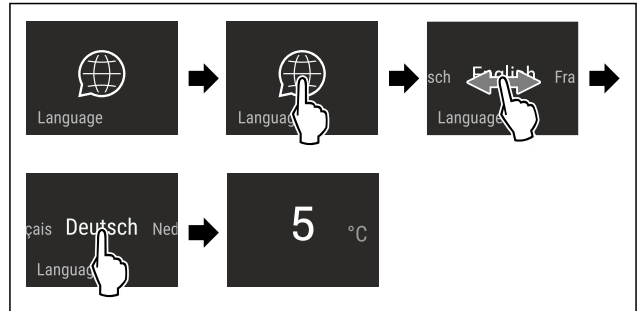


Fig. 82 Example illustration depending on the language and temperature

- ▶ Carry out action steps according to the illustration.
- ▷ The language is set.
- ▷ The display returns to the status display.



Device information

Use this function to indicate the model name, index, serial number and service number of your device. You will need the device information when you contact customer service. (see 10.4 Customer Service)

This function also opens the Advanced menu. (see 3 Functionality of the Touch & Swipe display)

Indicating the device information



Fig. 83



Fig. 84

- ▶ Carry out action steps according to the illustration.
- ▷ Display indicates device information.



Software

Use this function to indicate the software version of your device.

Indicating the software version



Fig. 85



Fig. 86

- ▶ Carry out action steps according to the illustration.
- ▷ Display indicates software version.

Reminder

Use this function to activate or deactivate the reminders. The function is activated on delivery.

Activating the reminder

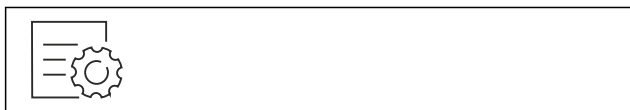


Fig. 87

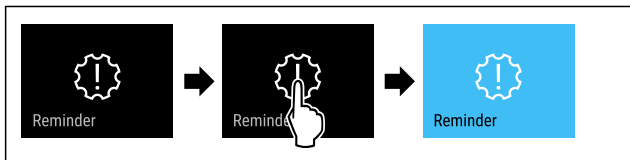


Fig. 88

- ▶ Carry out action steps according to the illustration.
- ▶ Reminder is activated.

Deactivating the reminder



Fig. 89

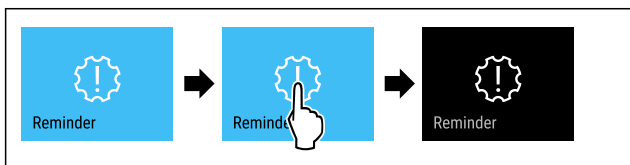


Fig. 90

- ▶ Carry out action steps according to the illustration.
- ▶ Reminder is deactivated.

Demo mode

Demo mode is a special feature for dealers who want to demonstrate appliance features. If you activate demo mode, all refrigeration functions are deactivated.

If you switch on your appliance and “Demo” appears in the status display, then demo mode is already activated.

If you activate and then deactivate demo mode, the appliance will be reset to factory defaults. (see Resetting to factory settings)

Activating demo mode



Fig. 91

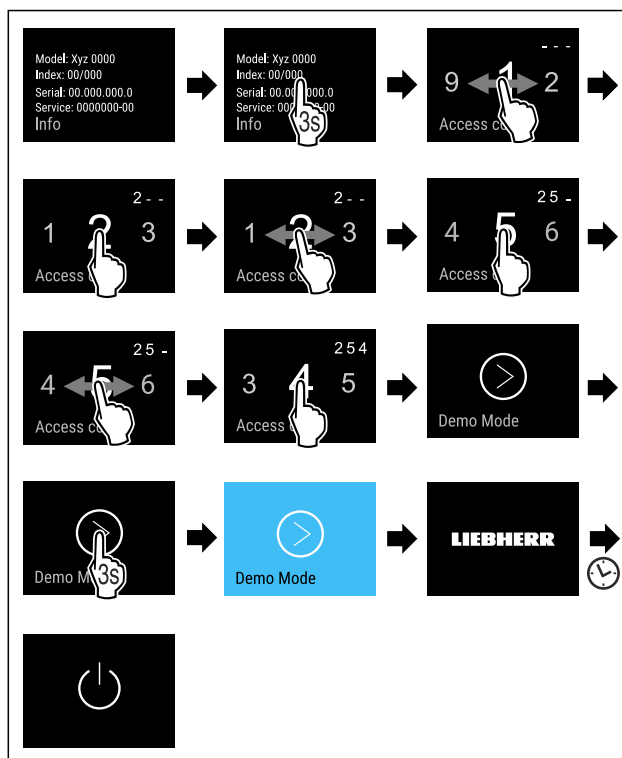


Fig. 92

- ▶ Carry out action steps according to the illustration.
- ▶ Demo mode is activated.
- ▶ Appliance is switched off.
- ▶ Switch on the appliance. (see 4.1 Switching on appliance (first use))
- ▶ “DEMO” appears in the status display.

Deactivating demo mode

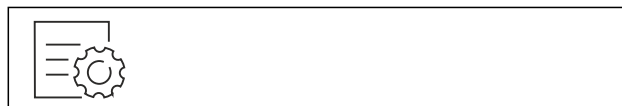


Fig. 93

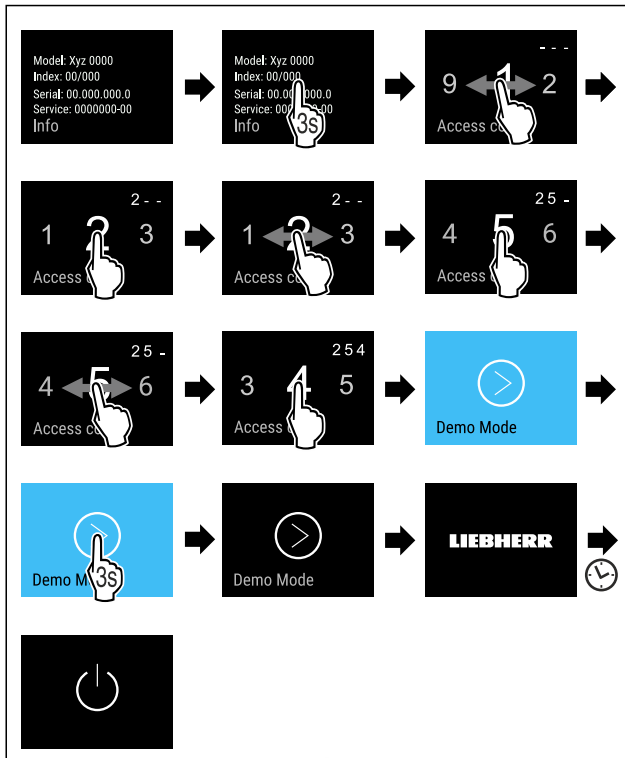


Fig. 94

- ▶ Carry out action steps according to the illustration.
- ▶ Demo mode is deactivated.
- ▶ Appliance is switched off.
- ▶ Switch on the appliance. (see 4.1 Switching on appliance (first use))
- ▶ Appliance is reset to factory settings.



Resetting to factory settings

Use this function to reset all settings to factory defaults. All settings you have made so far are reset to their original settings.

Performing a reset



Fig. 95

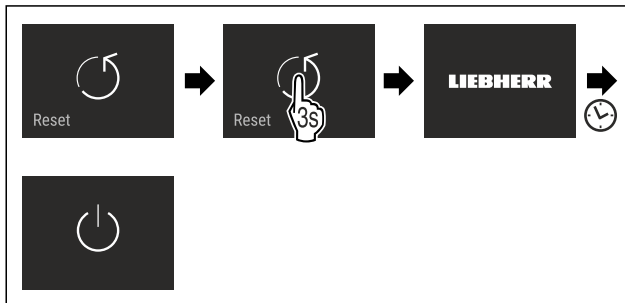


Fig. 96

- ▶ Carry out action steps according to the illustration.
- ▶ Device is reset.
- ▶ Device is switched off.
- ▶ Restart the device. (see 4.1 Switching on appliance (first use))

7.3 Messages

There are two categories of messages:

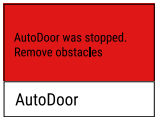
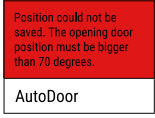
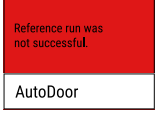
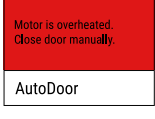
Category	Importance
Warning	Warnings appear in the event of a door alarm or malfunction. Simple warnings can be cancelled by yourself. In the event of serious malfunctions, you must contact customer service. (see 10.4 Customer Service)
Reminder	Reminders remind you of general processes. You can carry out these operations to end the message.

7.3.1 Overview of warnings

Behaviour of the appliance in the event of warnings:

- Warning appears in red on the display.
- The alarm tone sounds at an ever-increasing volume.
- The interior lighting pulsates for some warnings.

Message	Cause	Exit the message
 Close the door. Door alarm	The message appears if the door is open for too long.	Carry out action steps. (see Door alarm)
 Power failure Power outage alarm	The message appears if the freezing temperature has risen due to a power failure.	
 Temperature alarm Temperature alarm	The message appears if the freezing temperature does not correspond to the set temperature.	Carry out action steps. (see Temperature alarm)
 Error Error	The message appears if there is an appliance error. A component of the appliance has a fault.	Carry out action steps. (see Error)
 WiFi Error WLAN error	The message appears if the appliance could not be connected to the WLAN. (see Establishing the WiFi connection for the first time) The message only appears during the initial setup.	Carry out action steps. (see WLAN error)

Message	Cause	Exit the message
 <p>AutoDoor AutoDoor has been stopped.</p>	The message appears if an obstacle prevents the door from opening or closing automatically.	Carry out action steps. (see AutoDoor has been stopped)
 <p>AutoDoor Position could not be saved.</p>	The message appears when configuring AutoDoor if the selected door opening angle is too small. (see AutoDoor)	Carry out action steps. (see Position could not be saved)
 <p>AutoDoor Reference run was not successful.</p>	The message appears when configuring AutoDoor if the reference run was not successful. (see AutoDoor)	Carry out action steps. (see Reference run was not successful)
 <p>AutoDoor Motor cools down.</p>	The message appears when the door motor cools down.	Carry out action steps. (see Motor cools down)

7.3.2 Ending warnings

Door alarm

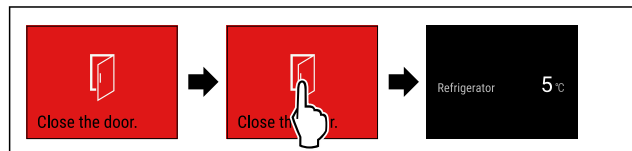


Fig. 97 Example illustration

- ▶ Carry out action steps according to the illustration.
- or-
- ▶ Close the door.
- ▶ The display returns to the status indicator.
- ▶ The appliance cools more vigorously, which means that the temperature shown on the display may be higher than the actual temperature inside the appliance.
- ▶ Appliance noises can be louder.

You can set how long the door may be open before the door alarm sounds. (see Setting the door alarm)

Power outage alarm

When the power failure has ended, the appliance will automatically cool down to the previously set target temperature without you having to confirm the message. However, for the message to disappear from the display, you must confirm it.

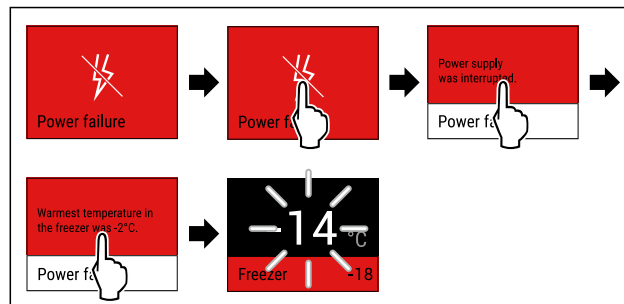


Fig. 98 Example illustration

- ▶ Briefly touch the display.
- ▶ Display shows information about the warning.
- ▶ Briefly touch the display.
- ▶ Warmest freezing temperature is displayed.
- ▶ If the freezing temperature was below -9 °C: Food can still be consumed.
- ▶ If the freezing temperature has risen above -9 °C:
 - ▶ Check the food.
- ▶ Briefly touch the display.
- ▶ The display returns to the status indicator: Current temperature and target temperature are displayed.

Temperature alarm

Temperature differences can be caused by:

- You have put in warm, fresh food.
- Too much warm air has got in while you were sorting out the freezer or removing items.
- There has been a longer power failure.
- The appliance is faulty.
- ▶ Eliminate causes.
- ▶ The appliance cools to the target temperature set previously.

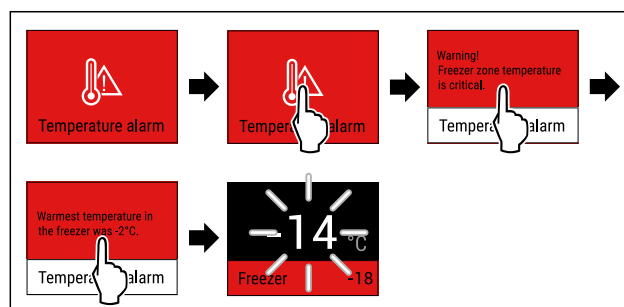
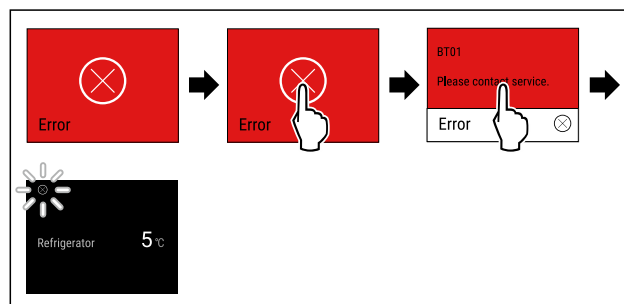


Fig. 99 Example illustration

- ▶ Briefly touch the display.
- ▶ Display shows information about the warning.
- ▶ Briefly touch the display.
- ▶ Warmest freezing temperature is displayed.
- ▶ If the freezing temperature was below -9 °C: Food can still be consumed.
- ▶ If the freezing temperature has risen above -9 °C:
 - ▶ Check the food.
- ▶ Briefly touch the display.
- ▶ The display returns to the status indicator: Current temperature and target temperature are displayed.

Error



Controls

Fig. 100 Example illustration

- ▶ Briefly touch the display.
- ▶ Error code is displayed.
- ▶ Note the error code.
- ▶ Briefly touch the display.
- ▶ The display returns to the status indicator.
- ▶ Contact Customer Service. (see 10.4 Customer Service)

WLAN error

- ▶ Check WLAN connection.
- ▶ Reconnect the appliance to the WLAN. (see WiFi)

AutoDoor has been stopped



CAUTION

Risk of injury from automatic opening and closing of the door!

- ▶ Keep the door opening area clear.
- ▶ Do not reach into the hinge with your hand.
- ▶ Do not block the door.

NOTICE

Damage to the drawers and telescopic rails from automatic closing of the door!

- ▶ Before the door closes: Push the drawers all the way in.
- ▶ Before the door closes and when drawer has been removed: Push the telescopic rails all the way in.

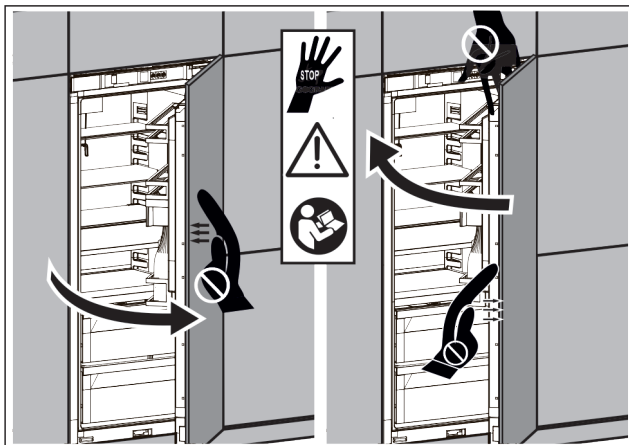


Fig. 101

- ▶ Remove the obstacle.
- ▶ When obstacle has been removed: Door opens or closes automatically.
- ▶ If obstacle is not removed: Message appears again and door alarm is active.

Position could not be saved

The door opening angle must be greater than 70°.

If you want to cancel the configuration of AutoDoor:

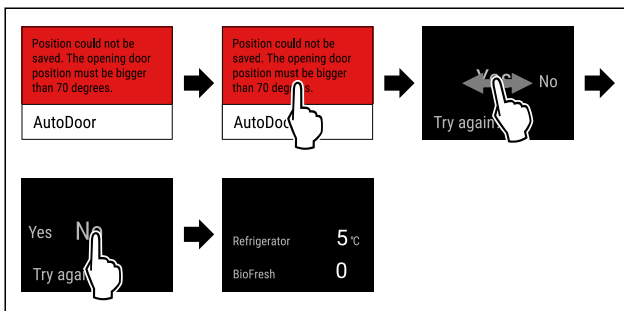


Fig. 102 Example illustration

- ▶ Carry out action steps according to the illustration.
- ▶ The display returns to the status indicator.

If you want to continue configuring AutoDoor and set the door opening angle:

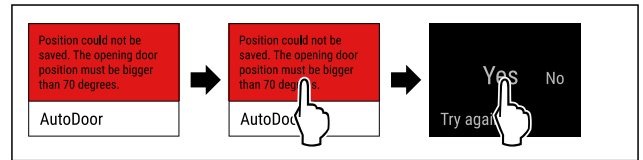


Fig. 103

- ▶ Carry out action steps according to the illustration.
- ▶ Reconfigure the door opening angle. (see AutoDoor)

Reference run was not successful

If you want to cancel the configuration of AutoDoor:

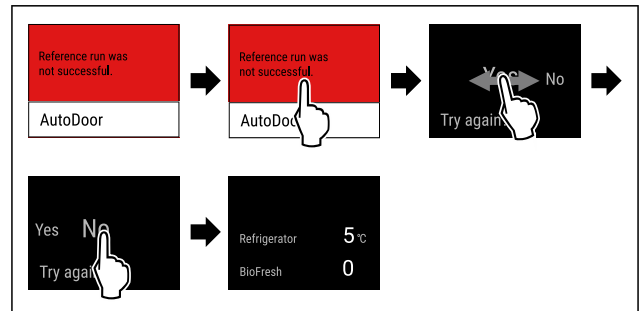


Fig. 104 Example illustration

- ▶ Carry out action steps according to the illustration.
- ▶ The display returns to the status indicator.

If you want to continue configuring AutoDoor and set the door opening angle:

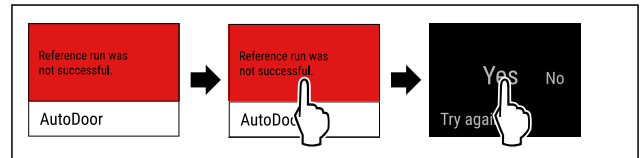


Fig. 105

- ▶ Carry out action steps according to the illustration.
- ▶ Reconfigure the door opening angle. (see AutoDoor)

Motor cools down

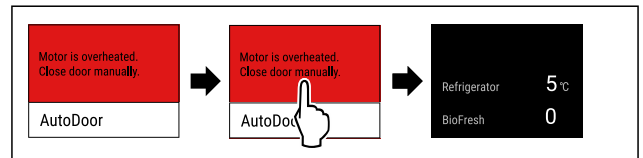


Fig. 106 Example illustration

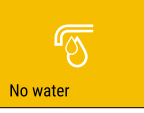

- ▶ Carry out action steps according to the illustration.
- ▶ The display returns to the status indicator.
- ▶ Motor cools down and is active again shortly.
- ▶ Close the door by hand.

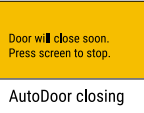
7.3.3 Overview of reminders

Behaviour of the appliance during reminders:

- Reminder appears yellow on the display.
- Alarm tone sounds.
- The interior lighting pulsates for some reminders.

The following reminders can be deactivated (see Deactivating the reminder) :

Message	Cause	Exit the message
 No water Check the water connection	The message appears if the IceMaker is activated but the IceMaker is not being supplied with water via the fixed water connection.	Carry out action steps. (see Check the water connection)
 No Drawer Insert the IceMaker drawer	The message appears if the IceMaker is activated but the IceMaker drawer is open.	Carry out action steps. (see Insert the IceMaker drawer)

Message	Cause	Exit the message
 Door will close soon. Press screen to stop. AutoDoor closing AutoDoor will close soon	The message appears if the door is opened lengthwise for more than 10 seconds.	Carry out action steps. (see AutoDoor will close soon)

7.3.4 Ending reminders

Check the water connection

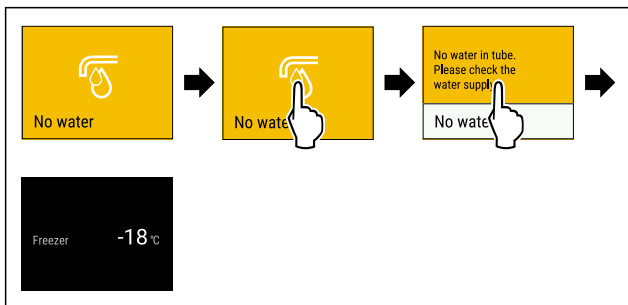


Fig. 107 Example illustration

- ▶ Briefly touch the display
- ▶ Display shows reminder information.
- ▶ Briefly touch the display
- ▶ Check the water connection.

-or-

- ▶ Deactivate IceMaker. (see Deactivating the IceMaker and MaxIce)

If water connection is checked and IceMaker is activated:

- ▶ Clean the IceMaker. (see 9.3.4 Cleaning the IceMaker)
- ▶ IceMaker produces ice cubes.

Insert the IceMaker drawer

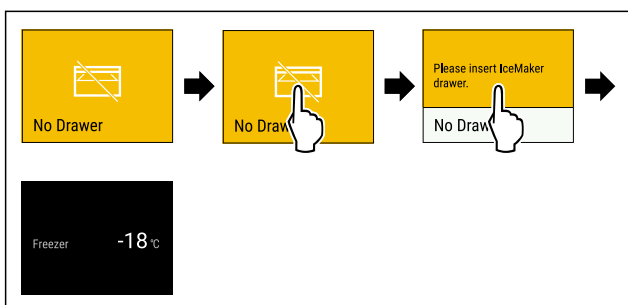


Fig. 108 Example illustration

- ▶ Briefly touch the display.

- ▶ Display shows reminder information.
- ▶ Briefly touch the display.
- ▶ Insert the IceMaker drawer.

-or-

- ▶ Deactivate IceMaker. (see IceMaker / MaxIce)

- ▶ If IceMaker drawer is inserted and IceMaker is activated: IceMaker produces ice cubes.

AutoDoor will close soon

If the reminder appears and you need more time before the door closes automatically:

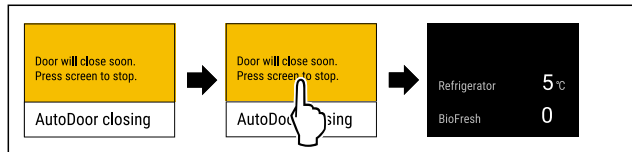


Fig. 109 Example illustration

- ▶ Carry out action steps according to the illustration.
- ▶ Automatic closing of the door is interrupted.
- ▶ The display returns to the status indicator.
- ▶ Door alarm is active. (see Door alarm)
- ▶ If the door alarm sounds: Door closes automatically.

If the reminder appears and you want the door to close:

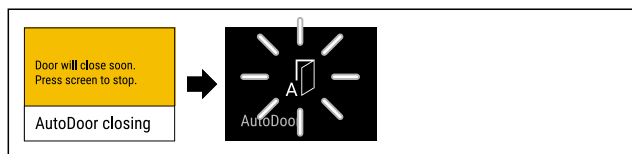


Fig. 110

- ▶ Do not perform any action on the display.
- ▶ As soon as automated closing of the door begins: Display shows flashing AutoDoor icon.
- ▶ Door closes automatically.

8 Features

8.1 Drawers

You can remove the drawers for cleaning.

You can remove the drawers to use VarioSpace.

The way to remove/insert the drawers varies depending on the pull-out system. Your appliance can contain various pull-out systems.

Note

The energy consumption increases and the cooling power goes down if ventilation is not sufficient.

- ▶ Leave the bottom drawer inside the appliance.
- ▶ Always keep the inside vents at the rear wall clear.

8.1.1 Drawer on appliance base or glass shelf

The drawer runs directly on the appliance base or on a glass shelf. There are no rails.

When you remove the drawers, you can use the glass shelves below them as storage shelves.

Features

Removing drawer

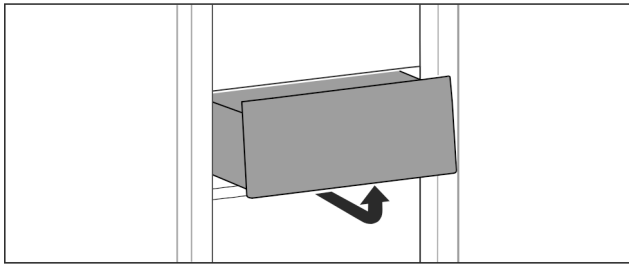


Fig. 111

- ▶ Remove drawer as shown in the illustration.

Inserting drawer

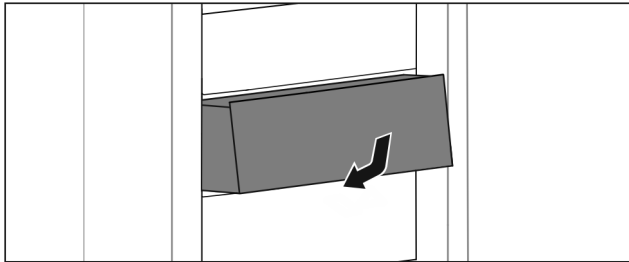


Fig. 112

- ▶ Insert drawer as shown in the illustration.

8.1.2 Drawer on telescopic rails

The drawer runs on extendible rails (telescopic rails). There are fully extendible telescopic rails and telescopic rails with partial pull-out. Drawers which are fully extendible can be pulled out fully from the appliance. Drawers with partial pull-out cannot be removed fully from the appliance. The system in your appliance depends on the type of appliance.

Drawer on glass shelf

The drawer guided on a glass shelf is a partial pull-out.

Removing drawer

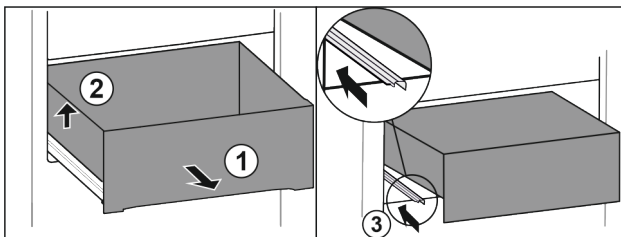


Fig. 113

- ▶ Pull out drawer as far as it will go. Fig. 113 (1)
- ▶ Lift drawer on the left. Fig. 113 (2)
- ▶ Insert left rail. Fig. 113 (3)

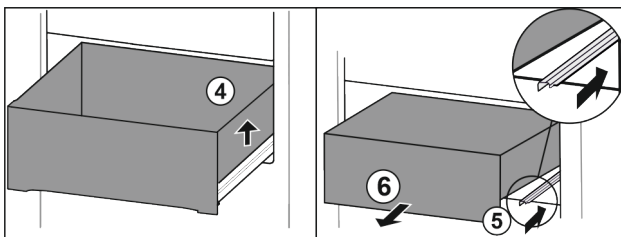


Fig. 114

- ▶ Lift drawer on the right. Fig. 114 (4)
- ▶ Insert right rail. Fig. 114 (5)
- ▶ Remove drawer to the front. Fig. 114 (6)

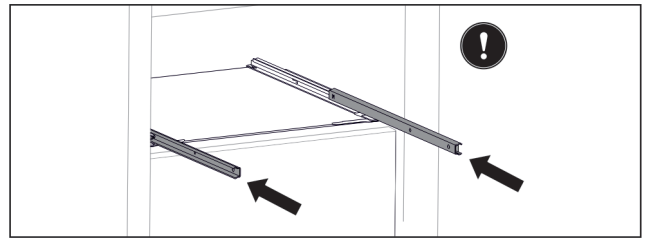


Fig. 115

If the rails are not yet fully inserted after removing the drawer:

- ▶ Push rails in completely.

Inserting drawer

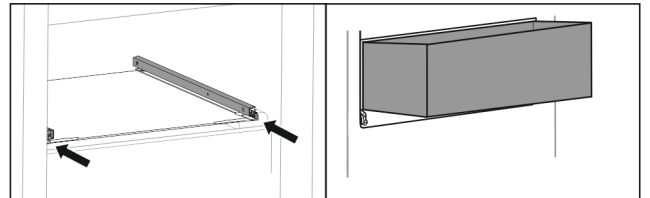


Fig. 116

- ▶ Slide rails in.
- ▶ Place drawer on rails at an angle.

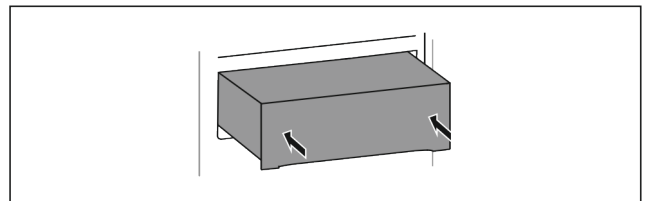


Fig. 117

- ▶ Lower drawer.
- ▶ Slide in drawer to the back.

8.1.3 Top tilting drawer

When you pull out the top drawer, it tilts forward. This gives you a better view into the drawer. The function depends on the height of the appliance.

When you remove the tilting drawers, you can use the glass shelf below them as a storage shelf.

Removing drawer

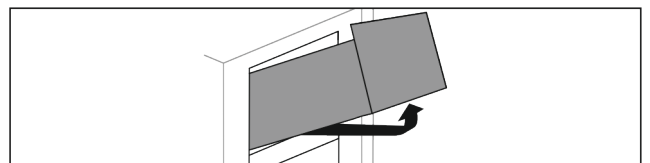


Fig. 118

- ▶ Pull out drawer as far as it will go.
- ▶ Lift drawer up at the front and at the same time push up at the back from below.
- ▶ Remove drawer to the front.

Inserting drawer

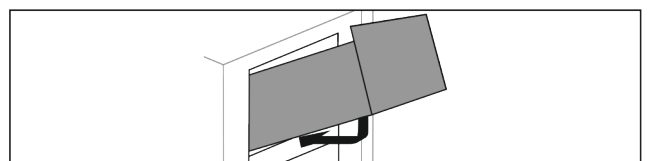


Fig. 119

- ▶ Position drawer as shown.
- ▶ The drawer rests on the glass panel.
- ▶ Lift drawer slightly from below at the back and slide over the lip.
- ▶ Slide in drawer to the back.

8.1.4 Drawer on moulded rib

The drawer runs directly on the moulded rib. There are no rails.

Removing drawer

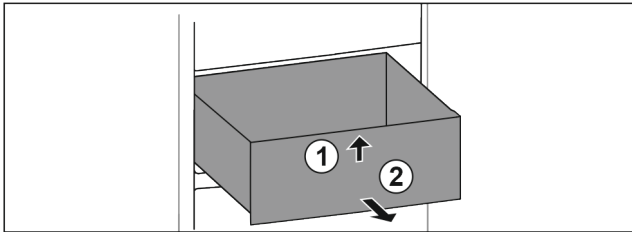


Fig. 120

- ▶ Pull out drawer as far as it will go.
- ▶ Lift up drawer at the front. Fig. 120 (1)
- ▶ Remove drawer to the front. Fig. 120 (2)

Inserting drawer

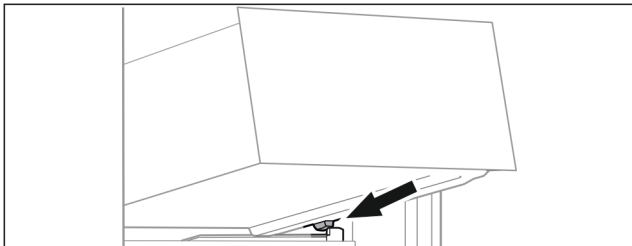


Fig. 121

- ▶ Place drawer at an angle behind the stoppers on the moulded rib. (see Fig. 121)
- ▶ Lower drawer.
- ▶ Slide in drawer to the back.

8.2 Pull-out board with IceTower

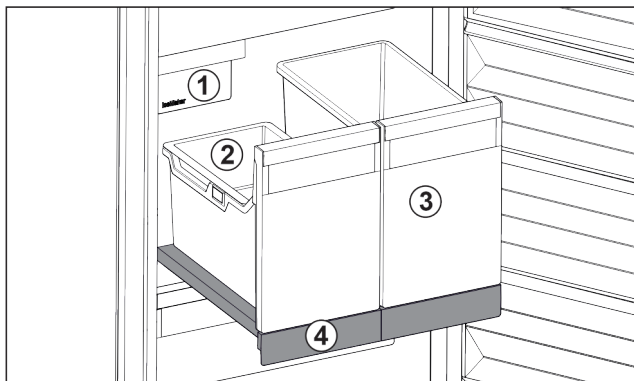


Fig. 122 Pull-out board with IceTower

- | | |
|--------------------------------|---|
| (1) IceMaker | (3) Container for pizza or alcoholic beverages, for example |
| (2) Hang-on tray for ice cubes | (4) Pull-out board |

There are two high (IceTower) containers on the pull-out board. Ice cubes from the IceMaker are collected and stored in the Fig. 122 (2) container. The container Fig. 122 (3) is suitable for storing tall foodstuffs or beverages such as pizzas or alcoholic drinks.

The pull-out board with IceTower is mounted on a glass shelf with pull-out rails. You can dismantle the pull-out board for cleaning.

8.2.1 Dismantling the pull-out board with IceTower

Removing the container

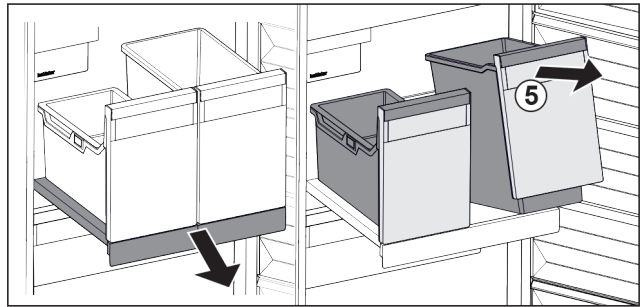


Fig. 123

- ▶ Pull out the pull-out board.
- ▶ Lift the container Fig. 123 (5) at the front.
- ▶ Remove the container.

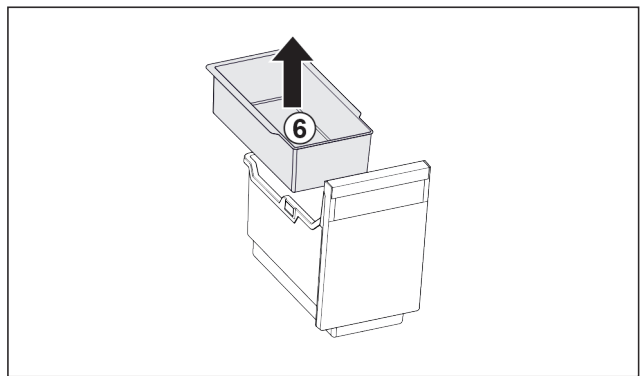


Fig. 124

- ▶ Remove the hang-on tray Fig. 124 (6).
- ▶ If there are ice cubes in the hang-on tray: Empty the hang-on tray.
- ▶ The container and hang-on tray have been removed and you can clean them. (see 9.3.3 Clean the components)

Removing the pull-out board

Ensure that the following conditions are met:

- Containers have been removed. (see Removing the container)

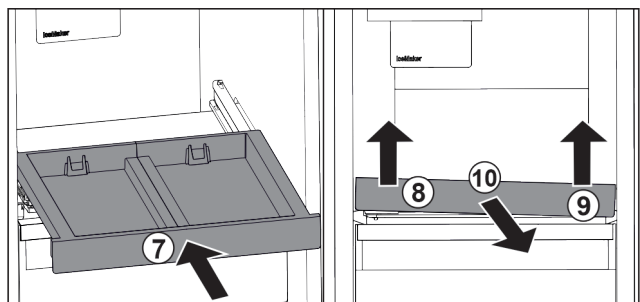


Fig. 125

- ▶ Slide in the pull-out board. Fig. 125 (7)
- ▶ Lift the pull-out board on the front left. Fig. 125 (8)
- ▶ Lift the pull-out board on the front right. Fig. 125 (9)
- ▶ Pull-out board is detached from the attachment at the front.
- ▶ Take out the pull-out board to the front. Fig. 125 (10)
- ▶ The pull-out board has been removed and you can clean it. (see 9.3.3 Clean the components)

Removing the glass shelf from under the pull-out board

(see 8.3 Glass shelves)

Features

8.2.2 Inserting the pull-out board with IceTower

Inserting the glass shelf from under the pull-out board

(see 8.3 Glass shelves)

Inserting the pull-out board

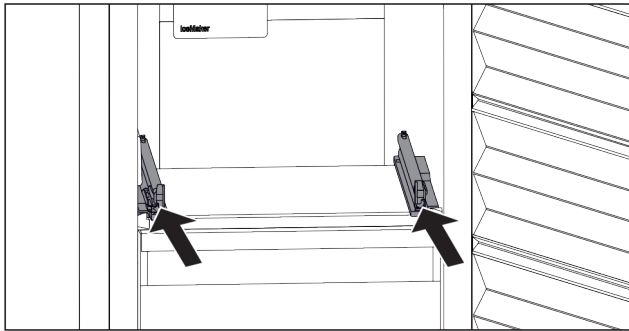


Fig. 126

- ▶ Slide the rails in.

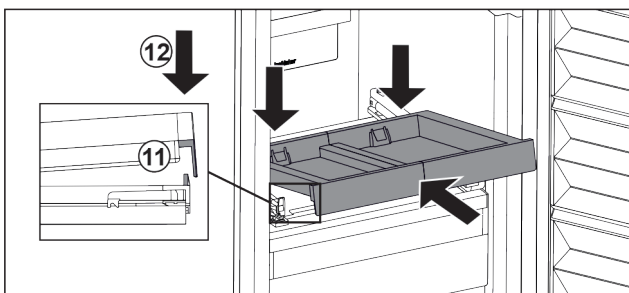


Fig. 127

- ▶ Place the pull-out board in at an angle behind the front lug.
- ▶ Slide in at an angle. Make sure that the stop is behind the lug on both sides. Fig. 127 (11)
- ▶ Lower the pull-out board at the front. Fig. 127 (12)

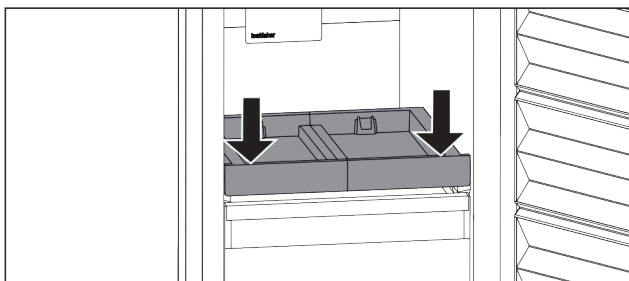


Fig. 128

- ▶ Push the pull-out board down at the front.
- ▶ Pull-out board clicks into place.

Inserting the container

Ensure that the following conditions are met:

- The pull-out board is inserted. (see Inserting the pull-out board)

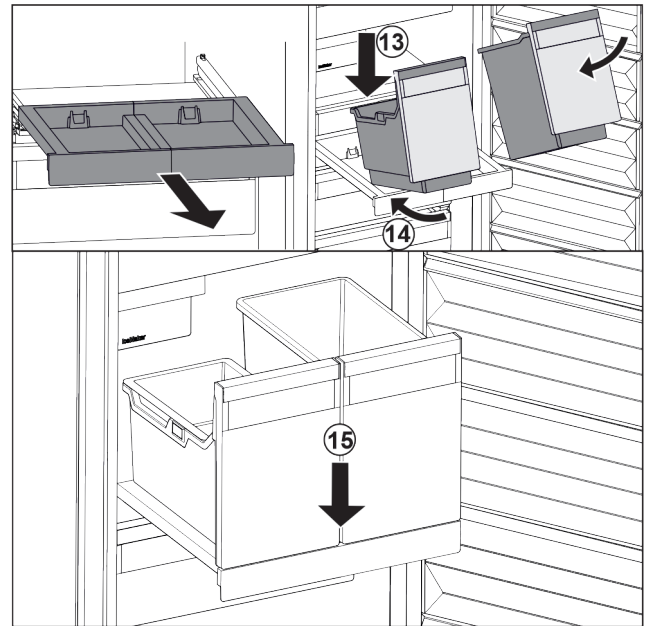


Fig. 129

- ▶ Pull out the pull-out board.
- ▶ Hold the pull-out board with one hand.

Note

The containers are shaped in a way that they cannot be interchanged.

- ▶ Place the container at an angle on the pull-out board. Fig. 129 (13)
- ▶ Slide the container to the back at an angle. Fig. 129 (14)
- ▶ Place container in the front. Fig. 129 (15)

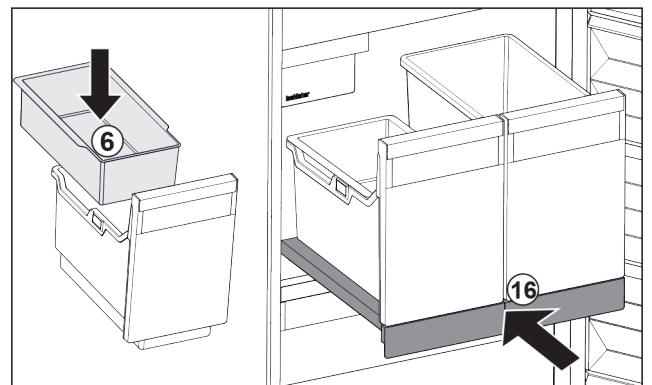


Fig. 130

- ▶ Insert hang-on tray Fig. 130 (6) for ice cubes.
- ▶ Slide in the pull-out board with (IceTower) container. Fig. 130 (16)
- ▶ Pull-out shelf with IceTower is fully inserted.

8.3 Glass shelves

NOTICE

Impermissible removal of the glass panel above the IceTower!

Damage to the IceMaker. The IceMaker is attached to the glass panel above the IceTower.

- ▶ Do not remove the glass panel above the IceTower.

You can remove the glass shelves under the drawers for cleaning.

You can remove the glass shelves under the drawers to use VarioSpace.

8.3.1 Removing / inserting the glass shelf under the tilting drawer

The glass shelf is located under the top tilting drawer.

Make sure that the following requirements are fulfilled:

- Drawer has been removed. (see 8.1.3 Top tilting drawer)

Removing glass shelf

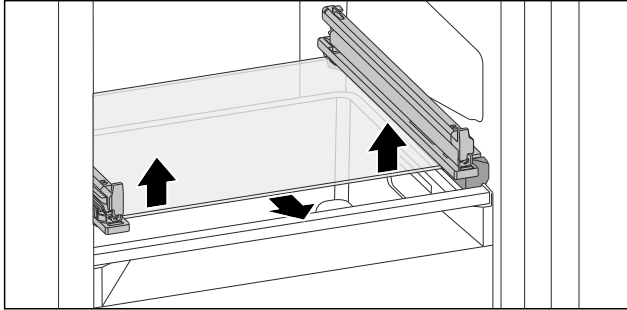


Fig. 131 Tilting drawer glass shelf

- ▶ Push glass shelf upwards from below on both sides. (see Fig. 131)
- ▶ Take out the glass shelf to the front.

Inserting glass shelf

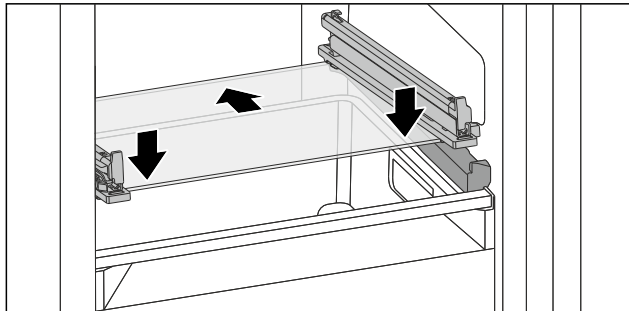


Fig. 132 Tilting drawer glass shelf

- ▶ Position glass shelf at an angle behind the stoppers. (see Fig. 132)
- ▶ Lower glass shelf.
- ▶ Slide in glass shelf to the back.
- ▶ Glass shelf clicks into place.

8.3.2 Removing / inserting the glass shelf

Depending on the equipment, the glass shelf may be located under the drawer.

Depending on the equipment, the glass shelf may be located under the IceTower.

Make sure that the following requirements are fulfilled:

- Glass shelf under the drawer: The drawer has been removed. (see 8.1 Drawers)
- Pull-out board under IceTower: IceTower has been removed. (see 8.2 Pull-out board with IceTower)

Removing glass shelf

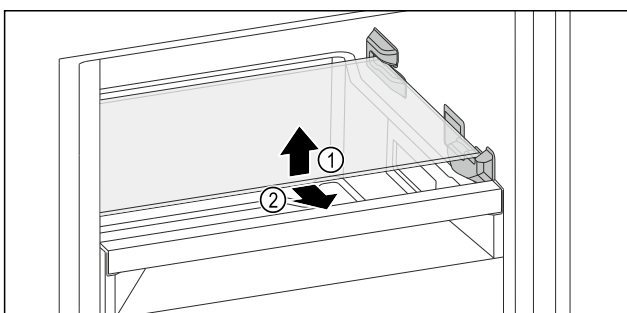


Fig. 133 Example illustration, glass shelf*

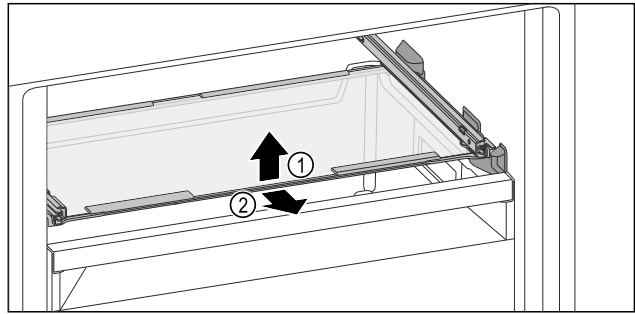


Fig. 134 Example illustration, glass shelf*

- ▶ Lift the glass shelf forwards.
- ▶ Remove the glass shelf forwards.

Inserting glass shelf

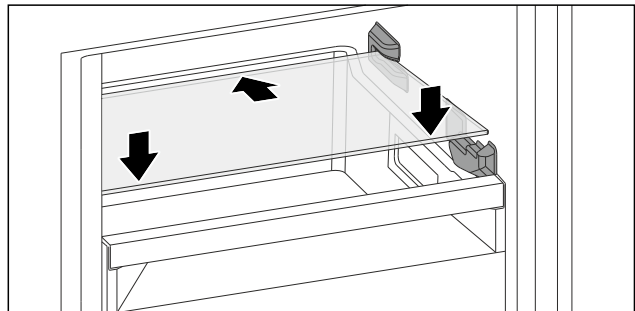


Fig. 135 Example illustration, glass shelf*

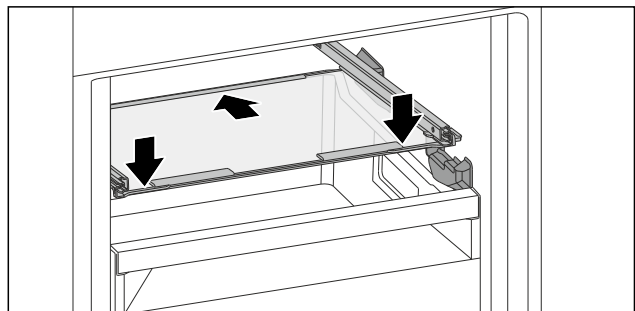


Fig. 136 Example illustration, glass shelf*

- ▶ Place the glass shelf at an angle behind the stoppers.
- ▶ Lower glass shelf.
- ▶ Slide in glass shelf to the back.

8.4 IceMaker

The IceMaker will produce ice cubes for household use only.

Ensure that the following conditions are met:

- The IceMaker is clean. (see 9 Maintenance)
- IceMaker drawer is cleaned.
- IceMaker drawer is fully inserted.

8.4.1 Producing ice cubes

The volume depends on the freezing temperature. The colder the temperature, the more ice cubes the system can produce in a certain time period.

After the IceMaker is turned on for the first time, it can take up to 24 hours for the first ice cubes to be made.

- ▶ Activate the IceMaker function.
- ▶ Producing many ice cubes: Activate the MaxIce function.
- ▶ To make a high number of ice cubes: Move the divider in the IceMaker drawer or remove it completely.
- ▶ Distribute the ice cubes evenly in the drawer to increase the capacity.

Maintenance

- ▶ Closing the drawer: IceMaker starts making ice cubes again automatically.

Note

When a certain level is reached in the IceMaker drawer, it stops producing ice cubes. The IceMaker does not fill the drawer all the way to the top.

8.5 VarioSpace

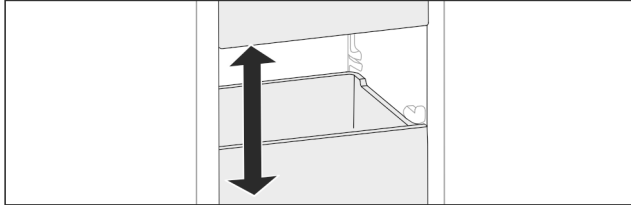


Fig. 137

You can remove drawers and glass panels from your appliance. This provides more room for large food items such as poultry, joints of meat, large game, and tall baked products. You can then freeze these items whole for later preparation.

- ▶ Note the weight limits on the drawers and glass panels (see 10.1 Technical specifications).

8.6 Freezer pack

Freezer packs prevent the temperature rising too quickly should there be a power cut.

The freezer packs are in the drawer.

You can store the freezer packs in the freezer tray.

8.6.1 Using the freezer pack

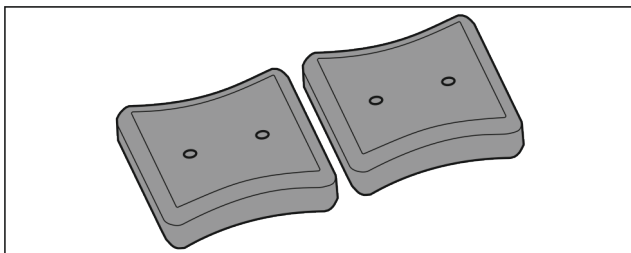


Fig. 138

When the freezer packs are fully frozen:

- ▶ Place on the frozen goods in the top, front part of the freezer.

8.7 Flexible ice compartment divider

The IceMaker's ice cube drawer has a flexible ice compartment divider. This allows you to store larger quantities of ice cubes or additional food items as needed. You can move or remove the ice compartment divider.

8.7.1 Moving in the flexible ice compartment divider

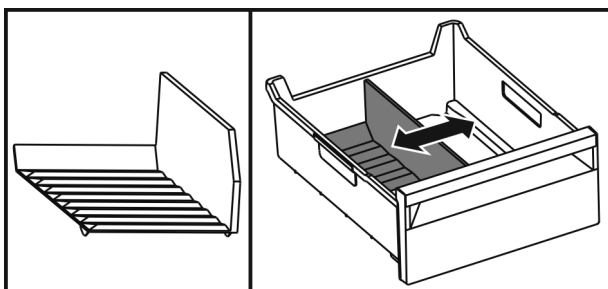


Fig. 139 Example illustration of the ice compartment divider

- ▶ Move the ice compartment divider to the desired position.

8.7.2 Removing the flexible ice compartment divider

Make sure that the following requirements are fulfilled:

- ❑ Ice cube drawer is removed. (see 8.1 Drawers)

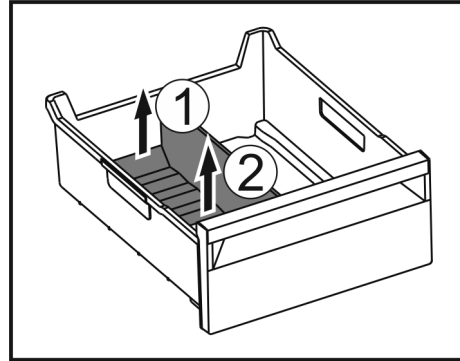


Fig. 140

- ▶ Lift the rear part of the ice compartment divider. Fig. 140 (1)
- ▶ Remove the ice compartment divider upwards. Fig. 140 (2)

8.7.3 Putting in the flexible ice compartment divider

Make sure that the following requirements are fulfilled:

- ❑ Ice cube drawer is removed. (see 8.1 Drawers)

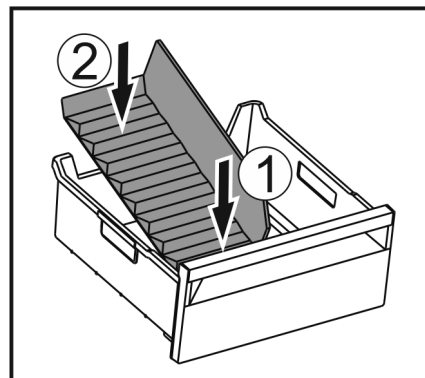


Fig. 141

- ▶ Insert the front part of the ice compartment divider. Fig. 141 (1)
- ▶ Lower the rear part of the ice compartment divider to the drawer bottom. Fig. 141 (2)

9 Maintenance

9.1 Disassembling / assembling pull-out systems

9.1.1 Notes on disassembly

You can disassemble some of the pull-out systems for cleaning. Your appliance can contain a variety of pull-out systems.

The following pull-out systems can be disassembled or cannot be disassembled:

Pull-out system	can be disassembled / cannot be disassembled
Drawer on appliance base or glass shelf	cannot be disassembled
Drawer guided on glass shelf	can be disassembled (see Drawer on glass shelf)
Top tiltable drawer	can be disassembled (see 9.1.3 Top tilting drawer)
Drawer guided on container rib	can be disassembled (see 9.1.4 Drawer on moulded rib)
IceTower	can be disassembled (see 9.1.5 IceTower)

9.1.2 Drawer on telescopic rails

Drawer on glass shelf

Disassembling pull-out system

Make sure the following prerequisites are met:

- Drawer has been removed. (see 8.3 Glass shelves)
- Glass shelf has been removed. (see 8.3 Glass shelves)

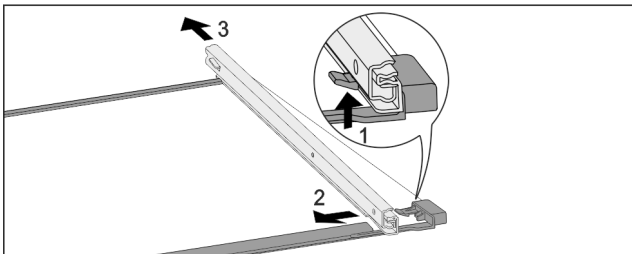


Fig. 142 Glass shelf with rails

- ▶ Push up front click-in hooks. (1)
- ▶ Move pull-out rails to the side (2) and to the rear (3).

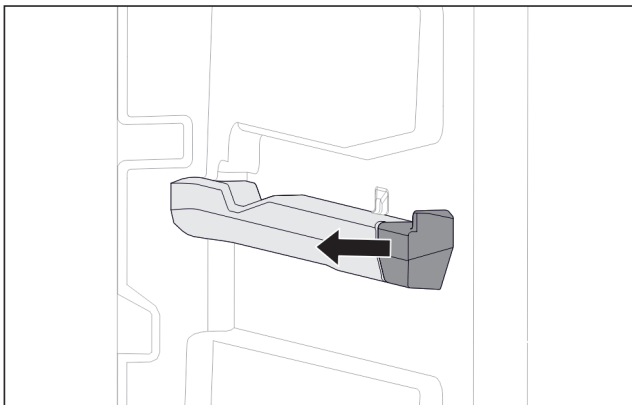


Fig. 143 Attachment on the right moulded rib

- ▶ Remove moulded rib attachment sideways.

Installing pull-out system

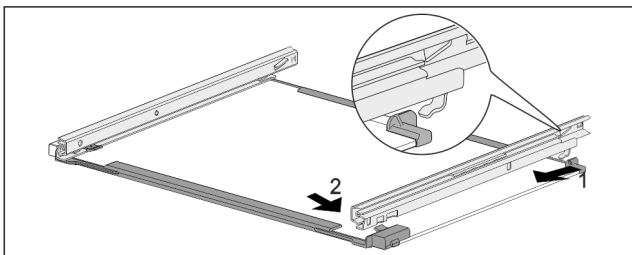


Fig. 144 Glass shelf with rails

- ▶ Hook in rail at the back. (1)
- ▶ Hook in rail at the front. (2)

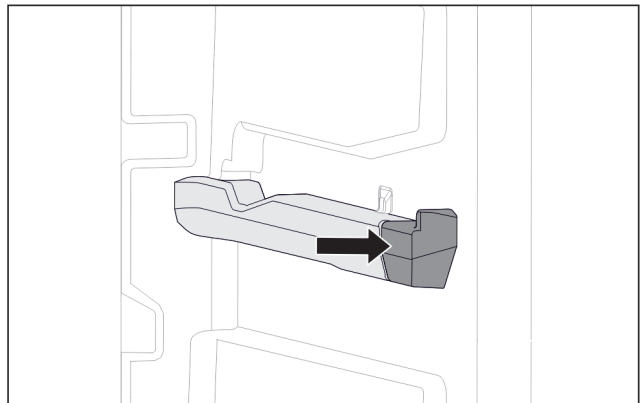


Fig. 145 Attachment on the right moulded rib

- ▶ Press attachment onto moulded rib.

9.1.3 Top tilting drawer

Disassembling pull-out system

Make sure the following prerequisites are met:

- Drawer has been removed. (see 8.1.3 Top tilting drawer)
- Glass shelf has been removed. (see 8.3 Glass shelves)

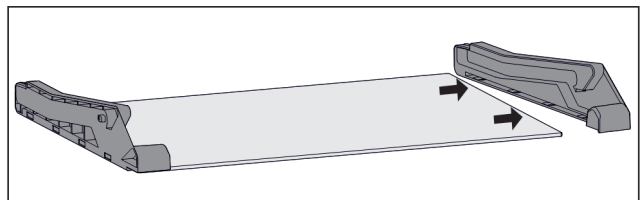


Fig. 146 Glass shelf with side parts

- ▶ Pull off side part from glass shelf sideways.

Installing pull-out system

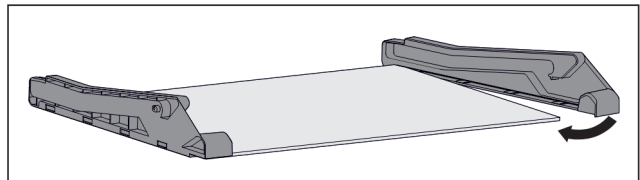


Fig. 147 Glass shelf with side parts

- ▶ Place on side part at the back.
- ▶ Press side part onto glass shelf at the front.

9.1.4 Drawer on moulded rib

Disassembling pull-out system

Make sure the following prerequisites are met:

- Drawer has been removed. (see 8.1.4 Drawer on moulded rib)

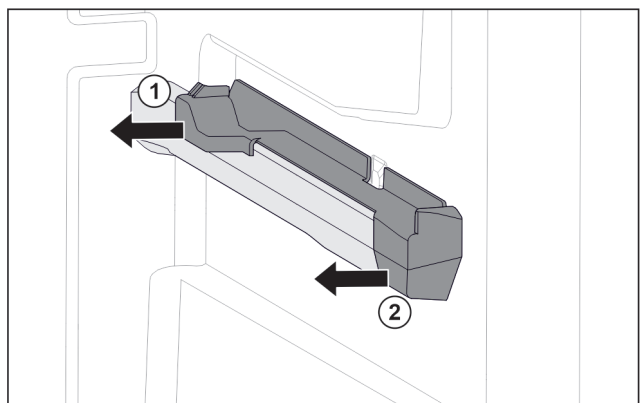


Fig. 148 Attachment on the right moulded rib

- ▶ Grab attachment at the back from below.

Maintenance

- ▶ Pull off attachment at the back sideways. *Fig. 148 (1)*
- ▶ Pull off attachment at the front sideways. *Fig. 148 (2)*

Installing pull-out system

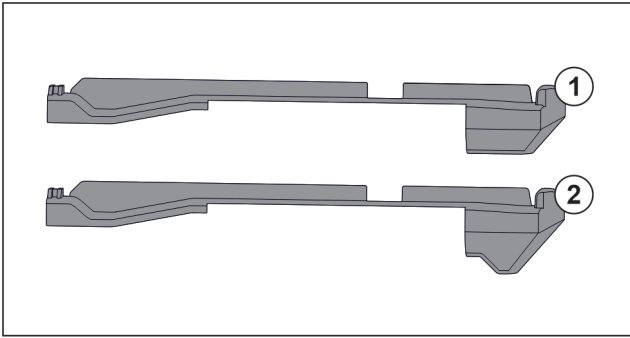


Fig. 149 Comparing attachments

There are two different attachments in the appliance. The attachment above the lowest drawer *Fig. 149 (2)* has a three-cornered edge. All other attachments *Fig. 149 (1)* have a straight edge.

- ▶ Fit attachment *Fig. 149 (2)* with the three-cornered edge above the lowest drawer.
- ▶ Fit attachment *Fig. 149 (1)* with straight edge in all other positions.

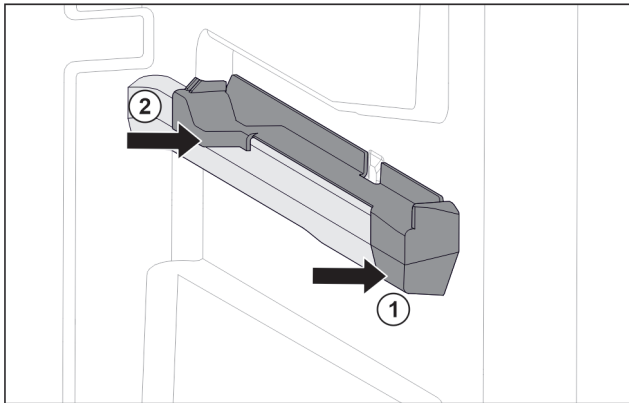


Fig. 150 Attachment on the right moulded rib

- ▶ Position attachment on moulded rib at the front. *Fig. 150 (1)*
- ▶ Press on attachment at the back. *Fig. 150 (2)*

9.1.5 IceTower

Disassembling pull-out system

Make sure the following prerequisites are met:

- IceTower has been removed. (see 8.2 Pull-out board with IceTower)
- Glass shelf has been removed. (see 8.3 Glass shelves)
- ▶ Place pull-out board on a table.
- ▶ You are able to remove the rails more easily from the glass shelf.

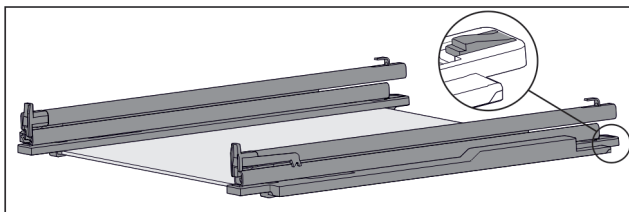


Fig. 151 Glass shelf with rails and retaining parts

- ▶ Press down retaining part at the rear (see *Fig. 151*) and at the same time push the rail back.

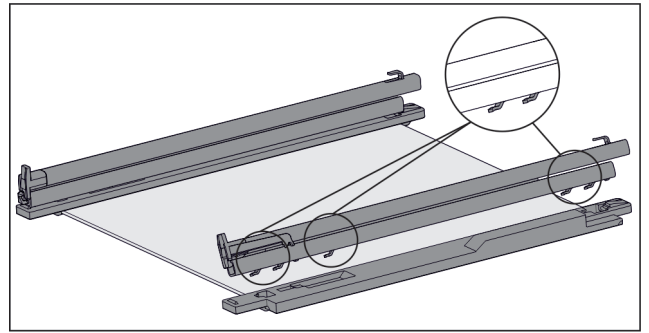


Fig. 152 Glass shelf with rails and retaining parts

- ▶ The rail hooks are released from the retaining part.
- ▶ Remove rail from retaining part.

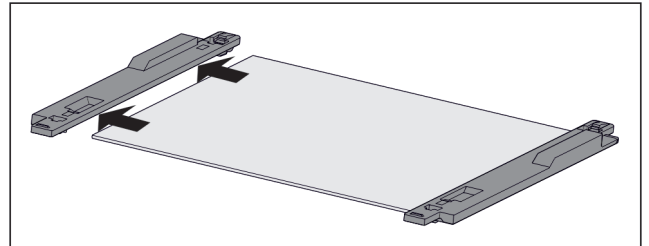


Fig. 153 Glass shelf with retaining part

- ▶ Remove retaining part from glass shelf sideways.

Installing pull-out system

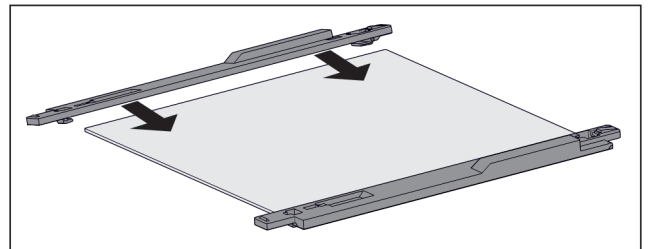


Fig. 154 Glass shelf with retaining part

- ▶ Fit retaining part on glass shelf.
- ▶ Push retaining part onto glass shelf as far as it will go.

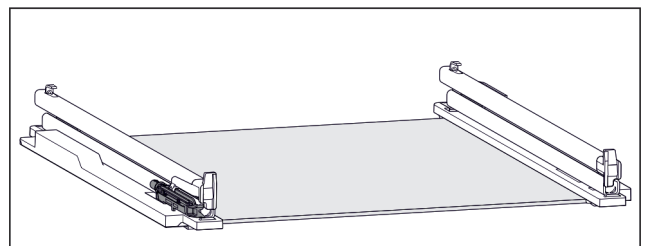


Fig. 155 Damping mechanism

The damping mechanism is attached to the left rail. (see *Fig. 155*) There is no damping mechanism attached to the right rail.

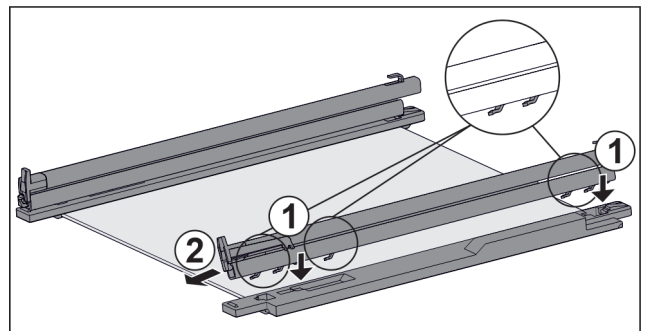


Fig. 156 Glass shelf with rails and retaining parts

Install rail **with** damping mechanism:

- ▶ Place rail hooks onto the openings of the **left** retaining part. *Fig. 156 (1)*
- ▶ Push rail forwards. *Fig. 156 (2)*
- ▶ Rail latches in audibly.
Install rail **without** damping mechanism:
- ▶ Place rail hooks onto the openings of the **right** retaining part. *Fig. 156 (1)*
- ▶ Push rail forwards. *Fig. 156 (2)*
- ▶ Rail latches in audibly.

9.2 Defrosting the appliance

9.2.1 Defrosting with NoFrost

Defrosting is performed automatically with the NoFrost system. The moisture is deposited on the evaporator, is periodically defrosted and evaporates.

The appliance does not have to be defrosted.

9.3 Cleaning the appliance

9.3.1 Ready



WARNING

Danger of electric shock!

- ▶ Remove the refrigerator connector or interrupt the power supply.



WARNING

Risk of fire

- ▶ Do not damage the refrigeration circuit.

- ▶ Empty the appliance.
- ▶ Remove mains connector.

9.3.2 Cleaning the interior

NOTICE

Improper cleaning!

Damage to the appliance.

- ▶ Only use soft cleaning cloths and ph-neutral all-purpose cleaners.
- ▶ Do not use abrasive sponges or steel wool which may cause scratches.
- ▶ Do not use any sharp or abrasive cleaning agents, nor any that contain sand, chloride or acid.

- ▶ Plastic surfaces: clean by hand with a soft clean cloth, lukewarm water and a little detergent.
- ▶ Metal surfaces: clean by hand with a soft clean cloth, lukewarm water and a little detergent.

9.3.3 Clean the components

NOTICE

Improper cleaning!

Damage to the appliance.

- ▶ Only use soft cleaning cloths and ph-neutral all-purpose cleaners.
- ▶ Do not use abrasive sponges or steel wool which may cause scratches.
- ▶ Do not use any sharp or abrasive cleaning agents, nor any that contain sand, chloride or acid.

Clean with a soft, clean cloth, lukewarm water and some detergent:

- IceTower pull-out board
- Drawer

Please note: Do not remove the magnet on the drawer. The magnet ensures the functionality of the IceMaker.

- Flexible ice compartment divider in the IceMaker's ice cube drawer
- Freezer tray

Clean with a damp cloth:

- Retractable rails
Please note: The grease in the tracks is used for lubrication and must not be removed!

Wash in the dishwasher up to 60 °C:

- Ice cube scoop
- ▶ To disassemble components: see the relevant section.
- ▶ Clean the components.

9.3.4 Cleaning the IceMaker

There are various options for cleaning the IceMaker.

Cleaning is required in the following cases:

- Initial operation
- With mains connection:
If out of use for more than 5 days.

Ensure that the following conditions are met:

- IceMaker drawer is emptied.
- IceMaker drawer is in place.
- The IceMaker is activated.

First use or after a long period of non-use

Clean the IceMaker with the TubeClean function.

- ▶ Put an empty 1.5 l vessel (max. height 10 cm) in the drawer under the IceMaker.
- ▶ Activate the TubeClean function.
- ▶ The rinse process is prepared (max. 60 min.): Symbol flashes.
- ▶ Water pipes are rinsed: Symbol flashes.
- ▶ Rinsing process is complete: Function turns off automatically.
- ▶ Remove the IceMaker drawer and remove the container.
- ▶ Clean the IceMaker drawer with warm water and a little detergent.
- ▶ Push the IceMaker drawer in.
- ▶ The system starts making ice cubes automatically.

Without a water filter

- ▶ Dispose of any ice cubes that were made 24 hours after the first ice cubes.

If cleaning is required

Clean the IceMaker by hand.

- ▶ Remove the IceMaker drawer and clean with warm water and a little detergent.
- ▶ Push the IceMaker drawer in.
- ▶ The system starts making ice cubes automatically.

9.3.5 After cleaning

- ▶ Wipe the appliance and the components dry.
- ▶ Connect and switch on the appliance.
- ▶ Activate SuperFrost (see 7.2 Appliance functions).
The temperature is cold enough:
- ▶ Place the food inside.
- ▶ Repeat cleaning regularly.

10 Customer help

10.1 Technical specifications

Temperature range	
Freeze	-28 °C to -15 °C

Maximum ice cube quantity / 24 hours	
Freezer compartment	see type plate under "Freezing capacity .../ 24 h"

Maximum component capacity			
Features	Appliance width 550 mm (see installation instructions, appliance dimensions)	Appliance width 600 mm (see installation instructions, appliance dimensions)	Appliance width 700 mm (see installation instructions, appliance dimensions)
Drawer on glass shelf (see 8.1.1 Drawer on appliance base or glass shelf)	12 kg	15 kg	--
Drawer on container rib (see 8.1.4 Drawer on moulded rib)	14 kg	19 kg	19 kg
Drawer guided on glass shelf (see 8.1.2 Drawer on telescopic rails)	12 kg	15 kg	22 kg
Bottom drawer	--	11 kg	19 kg
Top tiltable drawer (see 8.1.3 Top tilting drawer)	--	19 kg	19 kg

Ice cube production with IceMaker	
Ice cube production / 24 hours	At a temperature of -18 °C: 0.8 kg of ice cubes
maximum ice cube production / 24 hours	With the MaxIce function on: 1.2 kg of ice cubes

Lighting	
Class ¹	Light source
This product contains one or more energy efficiency class G light sources.	LED

¹ The appliance may contain light sources with different energy efficiency classes. The lowest energy efficiency class is indicated.

For appliances with a WiFi connection:

Frequency specification	
Frequency band	2.4 GHz
Maximum radiated power	< 100 mW
Purpose of the wireless equipment	Integration in the local WiFi network for data communication

10.2 Operating noises

The appliance makes different noises when it is on.

- At **higher temperatures** the appliance uses less energy but works for longer. It is **quieter**.
- At **lower temperatures** the food is cooled faster. It is **louder**.

Examples:

- Functions on (see 7.2 Appliance functions)
- Fan running
- Food recently added
- High ambient temperature
- Door open for a while

Noise	Possible cause	Type of noise
Bubbling and splashing	Coolant flowing into the cooling circuit.	Normal operating noise
Hissing	Coolant sprays into the cooling circuit.	Normal operating noise
Humming	The appliance is cooling. The volume depends on the cooling output.	Normal operating noise
Suction noises	Soft-closing door is being opened and closed.	Normal operating noise
Humming and rustling	The fan is running.	Normal operating noise
Clicking	Components are switched on and off.	Normal switching noise
Rattling or humming	Valves or flaps are working.	Normal switching noise

Noise	Possible cause	Type of noise	Lifting
Vibration	Improper installation	Defective noise	Check the installation. Level the appliance.
Rattling	Components, items inside the appliance	Defective noise	Secure components. Leave enough space between the items.

10.3 Technical fault

Your appliance is designed and built to ensure it works reliably and has a long service life. In the unlikely event that a fault occurs during operation, please check whether it is due to an operating error. If so, you will be charged for the callout and repair costs even if it falls within the warranty period.

You can fix the following faults yourself.

10.3.1 Appliance function

Defect	Cause	Remedy
The appliance is not working.	→ The appliance is not switched on.	▶ Switch the appliance on.
	→ The power plug is not properly plugged into the socket.	▶ Check the power plug.
	→ There is something wrong with the power outlet fuse.	▶ Check the fuse.
	→ Power cut	▶ Keep the appliance closed. ▶ Safeguarding food: Place cold packs on top of food or use another freezer if the power cut lasts longer. ▶ Do not re-freeze defrosted food,
	→ The IEC socket is not plugged into the appliance correctly.	▶ Check the IEC socket.
Temperature is not cold enough.	→ The appliance door is not closed properly.	▶ Close the appliance door.
	→ Not enough ventilation.	▶ Keep ventilation grille clear, and clean it.
	→ The ambient temperature is too high.	▶ Problem solution:
	→ The appliance was opened too many times or for too long.	▶ Wait to see if the required temperature corrects itself. If not, contact Customer Service. (see 10.4 Customer Service)
	→ Too much fresh food was placed inside without SuperFrost.	▶ Solution: (see SuperFrost)
	→ The temperature is set incorrectly.	▶ Turn down the temperature and check after 24 hours.
	→ The appliance is too close to a heat source (oven, radiator, etc).	▶ Move the appliance or the heat source.
	→ The appliance was not correctly installed in the recess.	▶ Check if the appliance was installed correctly and that the door closes properly.
The temperature shown on the display is higher than the actual temperature in the appliance.	→ Appliance door was open for a long time and the door alarm was triggered automatically. This causes the appliance to cool more vigorously.	▶ Close appliance door.
The door seal is defective or needs to be replaced for another reason.	→ The door seal can be replaced. It can be replaced without the need for special tools.	▶ Contact Customer Service. (see 10.4 Customer Service)
The appliance builds up too much ice or condensation.	→ The door seal may have slipped out of its groove.	▶ Check that the door seal is well fitted in the groove.

10.3.2 Features


Defect	Cause	Remedy
You cannot activate the IceMaker.	→ The appliance and therefore the IceMaker are not connected.	▶ Connect the appliance (see the Installation Guide).
The IceMaker is not producing ice cubes.	→ The IceMaker is not on.	▶ Activate the IceMaker.
	→ The drawer of the IceMakers is not connected properly.	▶ Push the drawer in correctly.
	→ The water connection is not open.	▶ Open the water connection.

Customer help

Defect	Cause	Remedy
The internal light does not come on.	→ The appliance is not switched on.	▶ Switch the appliance on.
	→ The door was open for longer than 15 minutes.	▶ Interior lighting switches off automatically after about 15 minutes when the door is open.
	→ The LED interior light is faulty or the lid is damaged.	▶ Contact Customer Service. (see 10.4 Customer Service)



AutoDoor FAQ

Defect	Cause	Remedy
The door opens at a different speed.	→ The speed of the door depends on how much is stored in it.	▶ No action is required.
The door jams or does not open smoothly.	→ A vacuum is created if you open the door too many times quickly in succession.	▶ Wait a while or open the door manually.
The motor stops and the door does not close.	→ There are objects blocking the door.	▶ Remove the objects. ▶ Push the drawers all the way in. ▶ Wait a while. ▶ Move the door manually.
	→ The mechanism is blocked.	▶ To avoid damaging the hinge: Do not move the door against the motor. ▶ Contact Customer Service. (see 10.4.1 Contacting Customer Service)
	→ The motor is overheated.	▶ Let the motor cool down. ▶ Wait a while. ▶ Move the door manually.
The door opening angle cannot be saved.	→ The selected door opening angle is too small.	▶ Set a different door opening angle: Select a door opening angle of at least 70°. Liebherr recommends at least 90°, so that you can easily pull out the drawers. (see AutoDoor)
The door does not respond to knocking.	→ You are not knocking hard enough.	▶ Increase the sensitivity of the knocking sensor. The knocking sensor is on the hinge side on the narrow side of the door. (see the installation instructions)
	→ The knocking function is not activated.	▶ Activate the AutoDoor function. (see AutoDoor)
The door does not close by voice command.	→ The voice assistant is not set up.	▶ Set up the voice assistant. (see AutoDoor)
	→ You can find detailed information and tutorials at:	▶ home.liebherr.com/faq-autodoor

10.4 Customer Service

First check whether you can rectify the fault yourself (see 10 Customer help) . If you cannot rectify the problem, contact Customer Service.

You can find the address in the enclosed brochure "Liebherr-Service" or at home.liebherr.com/service.



WARNING

Unprofessional repair!
Injuries.

- ▶ Have any repairs and action - not expressly specified - on the appliance and mains cable carried out by service personnel only. (see 9 Maintenance)
- ▶ A damaged mains cable may only be replaced by the manufacturer, the manufacturer's Customer Service or a similarly qualified person.
- ▶ In the case of appliances with an IEC connector, the change may be made by the customer.

10.4.1 Contacting Customer Service

Make sure that the following appliance information is available:

- Appliance name (model and index)
- Service no. (Service)
- Serial no. (S no.)
- ▶ Call up the appliance information via the display. (see Device information)
- or-
- ▶ Refer to the type plate for appliance information. (see 10.5 Model plate)
- ▶ Note down the appliance information.
- ▶ Notify customer service: Report errors and the appliance information.
- ▶ This will help us to provide you with a faster, more accurate service.
- ▶ Follow further instructions from Customer Service.

10.5 Model plate

The model plate is behind the drawers on the inside of the appliance.

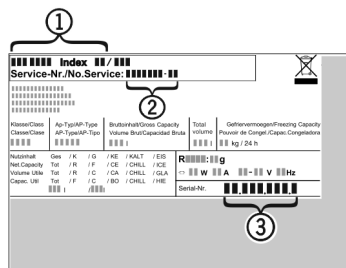


Fig. 157

- (1) Appliance description (3) Serial no.
(2) Service no.

- ▶ Note the data on the model plate.

11 Shutting down

- ▶ Empty the appliance.
- ▶ Deactivate IceMaker. (see Deactivating the IceMaker and MaxIce)
- ▶ Switch off appliance. (see Switching the appliance off and on)
- ▶ Pull the mains plug out of the socket.
- ▶ Remove the IEC socket if required: Pull the IEC socket out of the appliance plug and move it to the left and right at the same time.
- ▶ Clean appliance. (see 9.3 Cleaning the appliance)
- ▶ Leave the door open, so that no unpleasant odours arise.

12 Disposal

Ensure that the following requirements are met:

- Meaning of the symbols on the appliance: are familiar. (see 1.14 Symbols on the appliance)
- Notes on disposal are familiar. (see 1.8 Disposal)

12.1 Preparing the appliance for disposal

- ▶ Shutting your appliance down. (see 11 Shutting down)

12.2 Disposing of the appliance in an environmentally friendly manner



WARNING

Leaking coolant and oil!

Fire. The coolant contained in the appliance is eco-friendly, but also flammable. The oil contained in the appliance is flammable. Escaping coolant and oil can ignite if the concentration is high enough and in contact with an external heat source.

- ▶ Do not damage the pipelines of the coolant circuit and the compressor.
- ▶ Observe the notes on transporting the appliance.
- ▶ Remove the appliance without damaging it.
- ▶ Dispose of appliance according to specifications.



home.liebherr.com/fridge-manuals

EN Integrated freezer

Issue date: 20251128

Part number index: 7088436-00

Liebherr-Hausgeräte GmbH
Memminger Straße 77-79
88416 Ochsenhausen
Deutschland