

---

# XRCsdh 5265

---

Side-by-side combination with wine  
tempering compartment  
○ Prime

# LIEBHERR

Freestanding



 German  
Engineering



reddot winner 2025

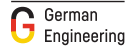


# SWNsdh 5264

Comb. w. NoFrost freezer and wine temp. compartment

◊ Prime

← 60 →



BLU Performance	2 Zones	Temp Protect Plus	Ice Maker	Duo Cooling	No Frost	Touch & Swipe Display	Light Tower	Flex Fit	Smart Device
Soft System	Humidity Select	UV Protect Plus	Vibrate Safe	Soft Telescopic Rails	Super Silent	Presentation Light	Fresh Air	Super Frost	Vario Space

Max. No. of Bordeaux bottles 0.75 Ltr	44 <sup>2</sup>
Total volume	303 l <sup>3</sup>
Noise output	35 dB(A)
Frequency / voltage	50/60 Hz / 220-240 V~
Connection Rating	1.4 A 183 W
Door / Side walls	SmartSteel / silver
Exterior dimensions in cm (h / w / d)	185.5 / 59.7 / 67.5 <sup>1</sup>
<b>Controls</b>	
Type of Control	2.4" TFT-colour display behind-the-door, touch- & swipe Digital temperature display for wine and freezer compartments
Interface	SmartDeviceBox: optional accessory (Only available in selected countries)
Door alarm	visual and acoustic
Alarm in case of malfunction	visual and acoustic
Child proof function	yes
<b>Wine compartment</b>	
Temperature zones	3
Temperature range	+5 °C to +20 °C
Adjustable cooling circuits	3
Forced air system	Convection cooling, fresh air supply via FreshAir activated charcoal filter
Interior light	LED light panel, both sides permanently on
Shelf material	Beech wood fittings
Storage shelves	6
Pull-out shelves on telescopic rails	4
<b>Freezer compartment</b>	
Star coding	****
Interior light	LED lighting
Number of drawers	4 drawers, of which 3 with telescopic partial pull-out, VarioSpace
IceMaker	with fixed 3/4" water connection, LED lighting
Ice cube capacity in 24 hours	1.2 kg
Ice cube stock	5.4 kg
<b>Features</b>	
Side-by-Side concept	Side wall heating right, suitable for combination with other refrigerators, freezers and/or wine appliances
Door hinges	Reversible door hinge, left
Replaceable door seal	yes
EAN-Nr.	4016803152514

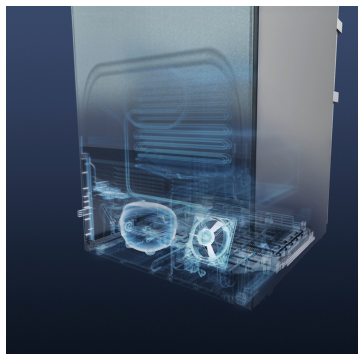
<sup>1</sup> To achieve the indicated energy consumption level, the wall spacers provided with the appliance must be used. These increase the appliance depth by approximately 1.5 cm. If the wall spacers are not used, the appliance will remain fully functional, but will have a slightly higher energy consumption level.

<sup>2</sup> These models are only bound for storing wine. Maximum DIN norm bordeaux bottles capacity (0.75 l) as per norm NF H 35-124 (H: 300.5 mm, Ø 76.1 mm)

<sup>3</sup> In accordance with Regulation EU 2019/2016 we indicate the total volume to the nearest integer (rounded off) and the volume of the frozen compartments and refrigeration compartments to one place after the decimal point.

## Features

---



### BluPerformance

Offering even more interior capacity for food storage, economy and energy efficiency, quiet operation, ease-of-use and exceptional design: Liebherr's BluPerformance appliances set both a new direction in refrigeration and freezing, and new benchmarks.

### 2 tempering zones

Experience a wine compartment at its best with our two tempering zones. Each zone can be precisely adjusted from +5 °C to +20 °C, ensuring that your reds and whites age gracefully or are ready to be served at any time within a single appliance. This innovation offers flexibility and convenience, whether you're a wine seasoned collector or a newcomer.

### Precision temperature settings

If not kept at the right temperature, wine can be harmed and lose its quality. The precise electronic control system ensures that the required temperature is constantly maintained in the wine tempering compartment. It can be set to the exact degree between +5 °C and +20 °C. The current temperature is shown on the display.



### TempProtect Plus

Within the wine tempering compartment the temperature is constantly measured with two sensors. This gives you double the assurance that your wines are protected from temperature fluctuations. This is because you are alerted as soon as one of the sensors detects a critical change in temperature, allowing you to take action quickly.

### IceMaker with fixed water connection

Are there any ice cubes left? The IceMaker means you never have to ask. With the IceMaker with fixed water connection, the water comes directly from the tap. The MaxIce function allows you to produce up to 1.5 kg of ice cubes a day. The versatile ice compartment separator lets you choose the amount of ice cubes you want to store; easy and just as you like it.

### DuoCooling

DuoCooling uses two completely separate refrigeration circuits to ensure no air is exchanged between the fridge and freezer compartments. The food neither dries out nor is odour transferred. This means throwing less away, shopping less often, but saving more and greater enjoyment.

# SRBsdh 5260

Freestanding refrigerator with  
BioFresh Professional

◊ Prime



← 60 →



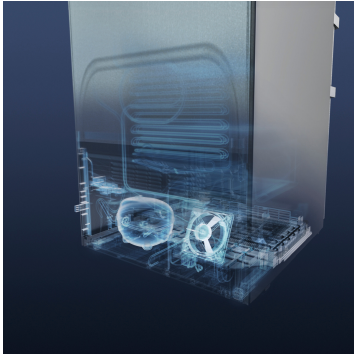
Total volume	379 l <sup>2</sup>
Noise output	34 dB(A)
Frequency / voltage	50/60 Hz / 220-240 V~
Connection Rating	1.2 A
Door / Side walls	SmartSteel / silver
Exterior dimensions in cm (h / w / d)	185.5 / 59.7 / 67.5 <sup>1</sup>
<b>Controls</b>	
Type of Control	2.4" TFT-colour display behind-the-door, touch- & swipe Digital temperature display for fridge and BioFresh compartments
Interface	SmartDeviceBox: optional accessory (Only available in selected countries)
Door alarm	visual and acoustic
Alarm in case of malfunction	visual and acoustic
<b>Fridge compartment</b>	
Forced air system	PowerCooling with FreshAir activated charcoal filter
Door interior	GlassLine storage shelves with bottle holder, removable VarioBoxes, adjustable egg tray
VarioSafe	yes
Bottle shelf	Integrated bottle shelf
Interior light	LED light panel, both sides LED BioFresh lighting
BioFresh-Safes	3 BioFresh Safes with SoftTelescopic, 1 Fruit & Vegetable Safe, 1 Fish & Seafood Safe, 1 Meat & Dairy Safe
<b>Features</b>	
Side-by-Side concept	Side wall heating left, suitable for combination with other refrigerators, freezers and/or wine appliances
Door hinges	Reversible door hinging, right
Replaceable door seal	yes
EAN-Nr.	4016803133117

<sup>1</sup> To achieve the indicated energy consumption level, the wall spacers provided with the appliance must be used. These increase the appliance depth by approximately 1.5 cm. If the wall spacers are not used, the appliance will remain fully functional, but will have a slightly higher energy consumption level.

<sup>2</sup> In accordance with Regulation EU 2019/2016 we indicate the total volume to the nearest integer (rounded off) and the volume of the frozen compartments and refrigeration compartments to one place after the decimal point.

# Features

---



## BluPerformance

Offering even more interior capacity for food storage, economy and energy efficiency, quiet operation, ease-of-use and exceptional design: Liebherr's BluPerformance appliances set both a new direction in refrigeration and freezing, and new benchmarks.



## Fish & Seafood-Safe

Love fish? Your Liebherr keeps fish fresh! The Fish & Seafood Safe stores fish and seafood at the optimum temperature of -2 °C; as professionally as your fishmonger. Adjust the size of the -2 °C zone as much as you want – and store the remaining meat and dairy products at the optimum 0 °C. An LED display indicates that the -2 °C zone is currently active.



## Fruit & Vegetable safe

Crunchy salad and strawberries: the most delicate foods deserve a special place so they stay fresh longer – in BioFresh safes. In the Fruit & Vegetable safe the temperature is close to 0 °C. Combined here with the constant humidity, thanks to the air-tight closure, unpackaged fruit and vegetables feel particularly at home. You do not have to adjust anything.



## Meat & Dairy safe

Do you want the tender veal fillet or fresh milk to stay fresh for as long as possible? The BioFresh safes will ensure this is the case. In the Meat & Dairy Safe, the temperature is close to 0 °C – ideal storage conditions for even the most delicate of foods. And best of all, everything is perfectly adjusted in the factory for immediate use – and for longer freshness.



## SmartSteel

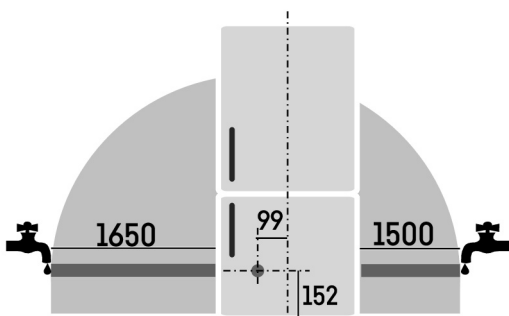
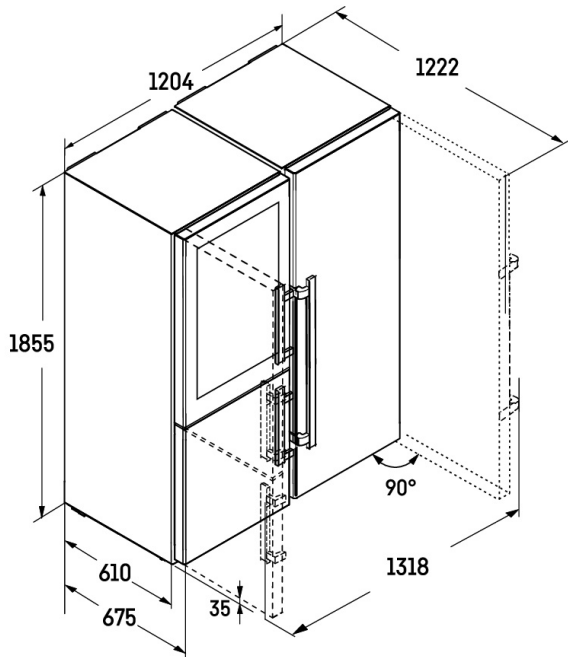
Thanks to its SmartSteel surface, the purist design language of the appliance is the perfect accent to any kitchen. The horizontal polish brings out the stainless steel and gives it a silky sheen and a pleasant feel. The special coating minimises fingerprints and makes the surface insensitive to scratches. So nothing disturbs the high-quality exterior.



## LightTower

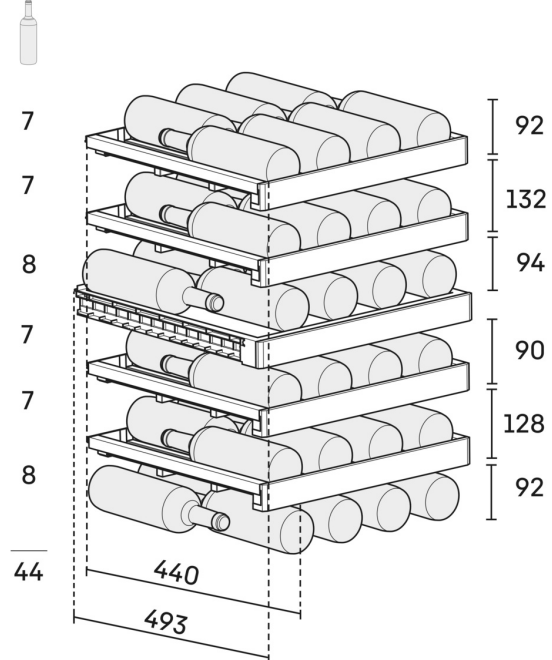
Enjoy an optimally illuminated interior: the LightTower shows off the food in its best light and is positioned so that all of your filled fridge is illuminated at all times. The flush mounting of the LightTower in the side walls means there is also more space for your food.

Technical drawing



max.

[mm]



SWNsdh 5264

Products and their details are staged for advertising purposes. Whilst every effort is made to ensure all specifications and information in this flyer are accurate, Liebherr reserves the right to make changes without notification. Where actual appliance measurements, specifications, and ratings are crucial, we recommend that the actual appliance installation instructions that accompany each appliance be checked. (24.10.2025)

