

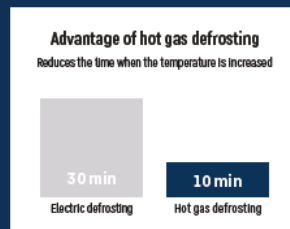
# SFPvh 6501

21 cu. Ft. Perfection High-performance Laboratory Freezer with solid door



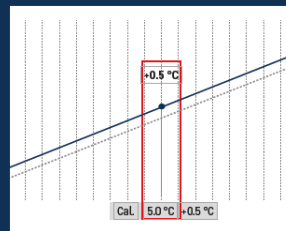
## SmartLock

To prevent products from accidentally entering circulation after an interruption in the cold chain, SmartLock automatically locks the door if there is an alarm. Only authorized persons can unlock it again.



## Energy-efficient hot gas defrosting

Timed and on-demand hot gas defrosting allows for very short defrosting times. To further improve temperature stability during defrosting, the internal temperature is slightly lowered shortly beforehand to create a reserve of cold air.



## Calibration function

Due to operational requirements and application-specific conditions, it is possible to set temperature deviation of the interior from the set temperature to a storage temperature determined with calibrated thermometers. These deviations can be adjusted by the calibration function. For the secure knowledge of cooling at precise temperatures.



## Integrated WiFi/LAN interface

The integrated WiFi/LAN interface enables you to easily connect your appliances with existing local systems.

# LIEBHERR

# SFPvh 6501

21 cu. Ft. Perfection High-performance Laboratory Freezer with solid door

## Laboratory Freezer

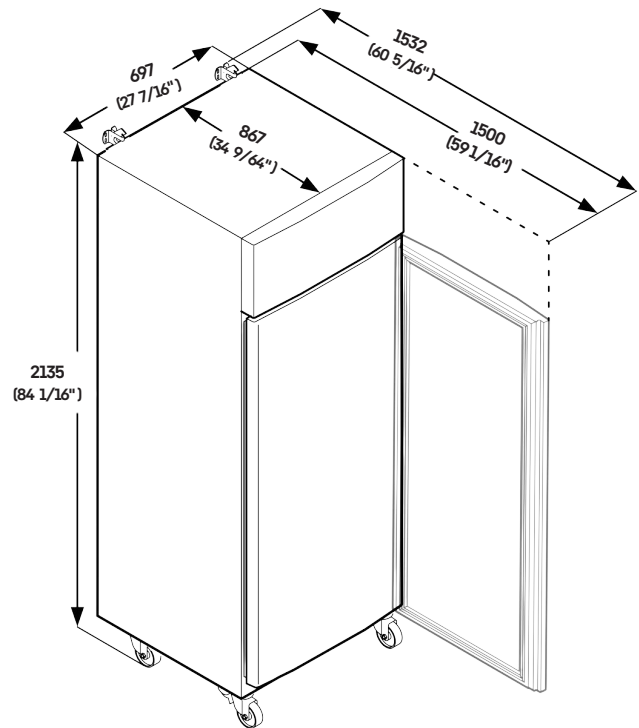


home.liebherr.com



| SFPvh 6501                                             |                                                    |
|--------------------------------------------------------|----------------------------------------------------|
| Total gross/net capacity                               | 21.3 / 20.3 cu. ft. (603 / 565 l)                  |
| Exterior dimensions in mm (w/d/h)<br>in inches (w/d/h) | 695 / 867 / 2137<br>27 3/8" / 34 1/8" / 84 1/8"    |
| Interior dimensions in mm (w/d/h)<br>in inches (w/d/h) | 489 / 638 / 1493<br>19 5/16" / 25 1/8" / 58 13/16" |
| Energy Consumption*                                    | 2.84 kWh/day                                       |
| EnergyStar rated                                       | Yes                                                |
| Ambient temperature                                    | + 10°C to +35°C (+50°F to +95°F)                   |
| Refrigerant                                            | R 290                                              |
| Sound rating**                                         | 60 dB(A)                                           |
| Connection rating                                      | 4.0 A                                              |
| Frequency/voltage                                      | 50 Hz/115V~                                        |
| Cooling system/Defrost                                 | Forced-air / automatic                             |
| Temperature range in Freezer                           | -9°C to -35°C                                      |
| External cabinet finish                                | Steel / white                                      |
| Door/lid material                                      | Steel / white                                      |
| Internal liner material                                | Chrome - nickel steel                              |
| Type of control                                        | 2.4" touch & swipe color display                   |
| Temperature display                                    | External digital                                   |
| Connectivity Solution /Interface                       | Integrated, removable/WIFI-LAN                     |
| Data logger                                            | USB interface                                      |
| Alarm                                                  | Visual and audio                                   |
| Alarm forwarding                                       | Yes                                                |
| Interior Light                                         | LED light column, left                             |
| Adjustable shelves                                     | 4                                                  |
| Shelf material                                         | Wire shelves plastic-coated                        |
| Shelf load weight                                      | 60 kg (132 lbs)                                    |
| Usable Shelf Area (w/d)                                | 480 / 638 mm (18 7/8" / 25")                       |
| Handle                                                 | Vertical recessed handle                           |
| Access Port                                            | 1 x Ø 12 mm                                        |
| Lock                                                   | Electronic                                         |
| Self-closing door                                      | Yes                                                |
| Door Hinges                                            | Right, reversible                                  |
| Net weight                                             | 134.5 kg (296.5 lbs)                               |

## Unit Dimensions



## Accessories

|                                              |                   |
|----------------------------------------------|-------------------|
| U-shaped trayslide, (left / right)           | 7745092 / 7745094 |
| Gray wire shelf                              | 7112614           |
| Foot pedal opener                            | 7746616           |
| Castors Ø 100 mm (4 in)                      | 9597828           |
| Adjustable feet, 115 - 175 mm (4.5 - 6.9 in) | 9080131           |
| Side-by-Side set in white                    | 9597677           |

\* Measured unloaded at 26.6°C (80°F) ambient temperature with set point of 3.3°C (38°F).

\*\* Noise level - sound power re 1pW - according to IEC 60704-2-14.