



Installation Guide

Quality, Design and Innovation



home.liebherr.com/fridge-manuals




LIEBHERR






General safety instructions

Contents

1	General safety instructions.....	2
2	Installation conditions.....	3
2.1	Installation location.....	3
2.2	Position in the space.....	3
2.3	Installing under a countertop.....	4
3	Appliance dimensions.....	4
4	Recess dimensions.....	4
5	Cabinet front.....	5
5.1	Weight of cabinet front.....	5
5.2	Cabinet door.....	5
5.3	Cabinet front dimensions.....	5
6	Transporting the appliance.....	5
6.1	Transporting the appliance for initial installation.....	5
6.2	Transporting the appliance after initial installation.....	5
7	Unpacking the appliance.....	6
8	Disposal of packaging.....	6
9	Aligning the pull-out cart.....	6
10	Recessed installation.....	7
10.1	Tool.....	7
10.2	Delivered contents.....	7
10.3	Preparing the appliance.....	7
10.4	Fastening the appliance to the ceiling.....	8
10.5	Fastening the appliance laterally.....	8
10.6	Leveling out the appliance.....	8
10.7	Installing the base.....	9
10.8	Fastening the appliance in the recess.....	9
11	Installing the cabinet doors.....	9
11.1	Tool.....	9
11.2	Scope of delivery.....	9
11.3	Preparation.....	10
11.4	Installing the top cabinet door.....	10
11.5	Installing the bottom cabinet door.....	12
12	Connecting the appliance to the power supply.....	14

The manufacturer is constantly working to improve all types and models. Therefore, please be aware that we reserve the right to make changes to the shape, equipment and technology.

Symbol	Explanation
	Read instructions Please read the information in these instructions carefully to understand all of the benefits of your new appliance.

Symbol	Explanation
	Additional information online The digital manual with supplemental information can be found online by scanning the QR code on the front page of this manual or by entering the service number at home.liebherr.com/fridge-manuals .
	Check appliance Check all parts for transport damage. If you have any complaints, please contact your agent or customer service.
	Differences These instructions apply to a range of models, so there may be differences. Sections that apply to certain models only are indicated by an asterisk (*).
	Instructions and results Instructions are marked with a ▶. Results are marked with a ▷.
	Videos Videos about the appliances are available on the YouTube channel of Liebherr-Hausgeräte.

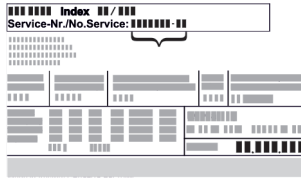
Open-source licenses:

The appliance includes software components that make use of open-source licenses. You can find information on the open-source licenses to be used here: home.liebherr.com/open-source-licenses

1 General safety instructions

- Please keep this assembly manual in a safe place so you can refer back to it at any time.
- If you pass the appliance on, please hand this assembly manual to the new owner.
- Read this assembly manual before installation and use in order to use the appliance safely and correctly. Follow the instructions, safety instructions and warning messages included at all times. They are important for ensuring you can operate and install the appliance safely and without any problems.
- First read the general safety instructions in the “General safety instructions” section of the **operating instructions**, which accompany these installation instructions, and follow them. If you cannot find the **operating instructions**, you can download the **operating instructions** from the internet by entering the service number at home.liebherr.com/fridge-

manuals. The service number can be found on the



serial tag:

- **Observe the warning messages and other detailed information in the other sections when installing the appliance:**

	DANGER	indicates a hazardous situation, which if not avoided, will result in death or serious injury.
	WARNING	indicates a hazardous situation, which if not avoided, could result in death or serious injury.
	CAUTION	indicates a hazardous situation, which if not avoided, will result in minor or moderate injury.
	NOTICE	indicates a hazardous situation, which if not avoided, could result in damage to property.
	Note	indicates useful advice and tips.

2 Installation conditions

The installation conditions are crucial to ensure that you can operate your appliance safely, efficiently, and trouble-free.

- Observe all safety instructions.
- Observe the installation location and position in the room.

WARNING

Danger of fire due to incorrect positioning!
If the power supply cable or plug touches the back of the appliance, the vibration can damage the power supply cable or the plug resulting in a short circuit.

- ▶ Make sure the power supply cable is not trapped under the appliance when you position the appliance.
- ▶ Install the appliance so that it does not touch any plugs or power cables.
- ▶ Do not connect any appliances to sockets in the area of the back of the appliance.
- ▶ Do **not** place and operate power strips/power distributors and other electronic devices (such as halogen transformers) at the back of the appliances.

WARNING

Risk of fire due to moisture!
If live parts or the power cord get wet, this can cause a short circuit.

- ▶ The appliance is designed for use in enclosed spaces. Do not operate the appliance in open space or in damp areas or where there is spray.

WARNING

Risk of fire due to escaping refrigerant and oil!
The refrigerant inside the appliance is environmentally friendly, but flammable. The oil used is also flammable. If the refrigerant and oil escape in high concentrations and come into contact with an external heat source, they can ignite.

- ▶ Avoid damaging the refrigerant lines and compressor.

2.1 Installation location

- Only set up and used the appliance in enclosed spaces.
- Only operate the appliance in installed condition.
- If the appliance is set up in a very humid environment, condensation may form on the outside of it. Always ensure good ventilation at the installation location.
- The more refrigerant there is in the appliance, the larger the room in which the appliance is installed must be. If the room is too small, a flammable gas/air mixture may form in the event of a leak. Per 8 g (0.28 oz) refrigerant, the installation space must be at least 1 m³ (35.5 ft³) in size. Information on the refrigerant contained can be found on the type plate inside the appliance.
- The floor at the installation location must be horizontal and level.

2.2 Position in the space

- Do not install the appliance in an area with direct sunlight, next to a heating unit or similar.
- You can install the appliance directly next to an oven.
- If you install the appliance directly next to an oven, its energy consumption may increase slightly. This depends on the service life and how often the oven is used.
- If the appliance is installed in a cooking island, appliances with an integrated exhaust air system can damage the appliance. Make sure you either have a separate air duct or otherwise install a partition wall between the appliances.
- Use in potentially explosive atmospheres is not permitted.

Appliance dimensions

2.3 Installing under a countertop

- If you install the appliance in a kitchen unit that stands on an uneven floor: Level the kitchen cabinets.

3 Appliance dimensions

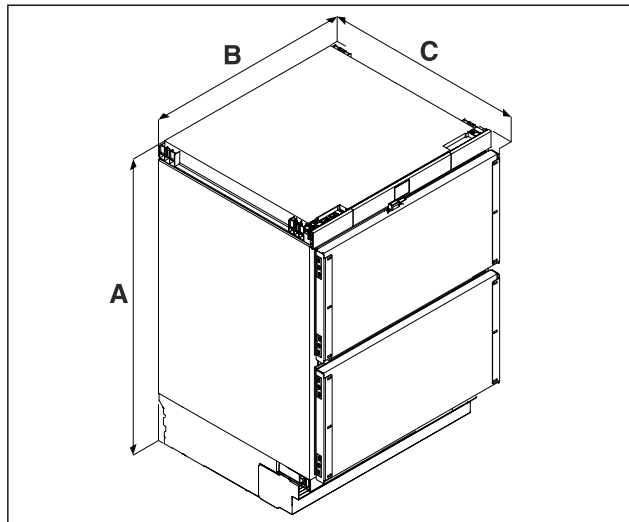


Fig. 1 Example illustration

- (A)** Appliance height including feet
- (B)** Appliance width
- (C)** Appliance depth

A	859 mm (33 7/8 in)
B	597 mm (23 1/2 in)
C	556 mm (21 15/16 in)

A) Appliance type designation

4 Recess dimensions

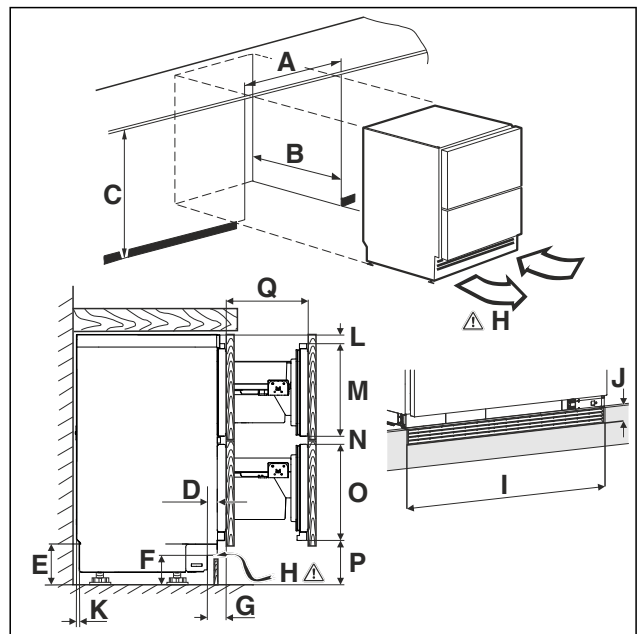


Fig. 2 Example illustration

- (A)** Recess width
- (B)** Recess depth
- (C)** Recess height
- (H)** Ventilation cross-section

A	600 mm (23 1/2 in)
B	at least 560 mm (22 1/16 in)
C	860 mm (33 7/8 in) to 920 mm (36 1/4 in)
D	11 mm (7/16 in) to 66 mm (2 5/8 in)
E	100 mm (3 15/16 in) to 160 mm (6 5/16 in)
F	60 mm (2 3/8 in) to 120 mm (4 3/4 in)
G	54 mm (2 1/8 in) to 109 mm (4 5/16 in)
H	150 cm ² (24 in ²)
I	600 mm (23 1/2 in)
J	40 mm (1 9/16 in)
K	18 mm (11/16 in)
L	33 mm (1 5/16 in)
M	335 mm (13 3/16 in)
N	29 mm (1 1/8 in)
O	347 mm (13 11/16 in)
P	115 mm (4 1/2 in) to 175 mm (6 7/8 in)
Q	400 mm (15 3/4 in)

5 Cabinet front

5.1 Weight of cabinet front

NOTICE

Risk of damage from a heavy unit door!
If the cabinet door is too heavy, damage to the hinges cannot be ruled out with functionality impairments as a result.

► Before installing the cabinet door, ensure that the cabinet door does not exceed the permissible weight.

	Maximum weight of cabinet door
Pull-out cart	5 kg (11.02 lb)

5.2 Cabinet door

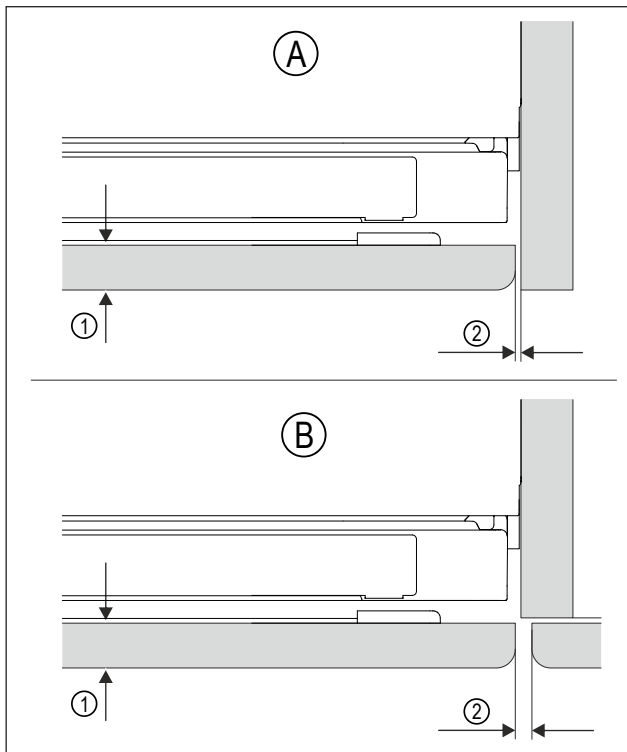


Fig. 3 Example illustration

- (A)** Recess with wall **(1)** Front thickness
(B) Recess with adjacent cabinets **(2)** Gap dimension

Front thickness	at least 16 mm (5/8 in)
Gap dimension	At least 2 mm (1/16 in) between the top cabinet front and the tabletop At least 3 mm (1/8 in) between the top cabinet front and bottom cabinet front. At least 3 mm (1/8 in) to the adjacent (vertical) cabinet fronts

The cabinet door must be flush and mounted with no tension.

5.3 Cabinet front dimensions

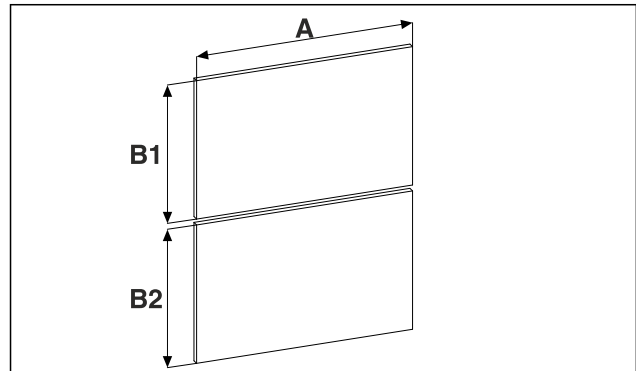


Fig. 4

Recess height	.. 37..
A	at least 595 mm (23 7/16 in)
B1	at least 370 mm (14 9/16 in) Check that it does not collide with the lower cabinet door.
B2	At least 370 mm (14 9/16 in) Maximum value must not exceed the maximum ventilation cross-section of 150 cm ² (24 in ²).

A) Appliance type designation

6 Transporting the appliance

6.1 Transporting the appliance for initial installation

Make sure that the following requirements are fulfilled:

- Appliance is packaged.
- The appliance is upright.
- Have two people transport the appliance.
- Unpack the appliance. (see 7 Unpacking the appliance)

6.2 Transporting the appliance after initial installation

Observe the following instructions if you want to transport or move the appliance after initial installation.

Make sure that the following requirements are fulfilled:

- Appliance is empty.
- The appliance is upright.

Unpacking the appliance

- ❑ Appliance with door(s): The door is secured against undesired opening.
- ❑ Appliance with pull-out cart: The pull-out cart is secured against undesired opening.
- ❑ Appliance is unpacked.
- ▶ Have two people transport the appliance.

7 Unpacking the appliance

NOTICE

Risk of damage due to the appliance moving!
When moving the appliance on the floor without protection, the appliance may damage the floor.

- ▶ Sufficiently cover the floor before removing the appliance's packaging.

- ▶ Inspecting the appliance and packaging: If you suspect transport damage, contact the supplier before connecting the appliance.

NOTICE

Risk of property damage from pointed or sharp objects!
Using pointed or sharp objects to remove packaging materials may damage the appliance.

- ▶ Do not use pointed or sharp objects to remove packaging materials.

- ▶ Remove the packaging materials.

8 Disposal of packaging



WARNING

Danger of suffocation from packaging materials and films!

- ▶ Do not allow children to play with packaging materials.

The packaging is made from recyclable materials:

- Corrugated card/cardboard
- Parts made of foamed polystyrene
- Films and bags from polyethylene
- Packing bands from polypropylene
- Wood frame nailed together with a polyethylene window*

- ▶ Take the packaging material to an official collection point.

9 Aligning the pull-out cart

You can align the pull-out cart if it is not straight. This adjustment is only intended in the event that the pull-out cart no longer closes properly over time. The alignment is made via the cabinet front.

- ▶ Remove the container.

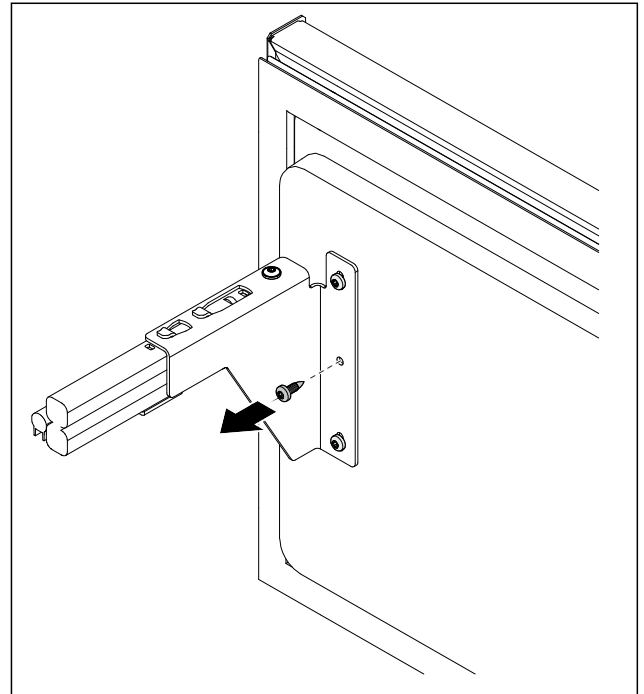


Fig. 5 Example illustration

- ▶ Remove the center screw.

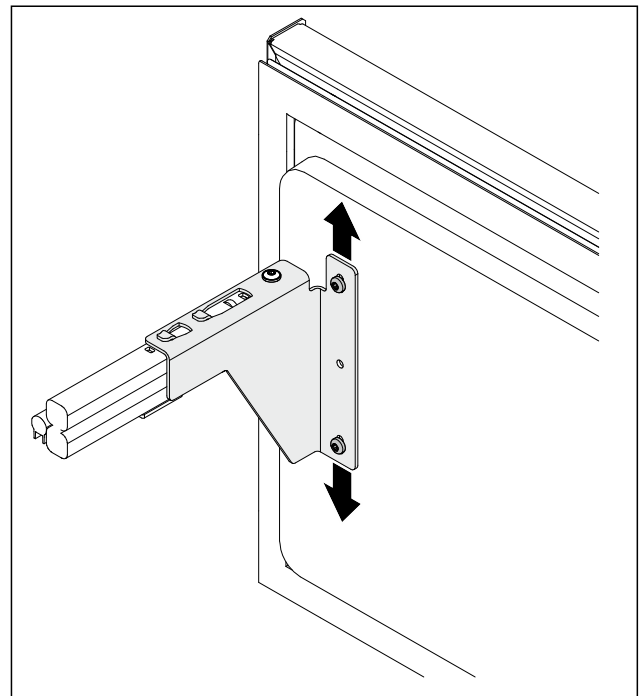
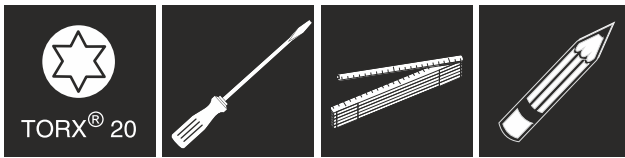


Fig. 6 Example illustration

- ▶ Slightly loosen the screws.
- ▶ Slide the pull-out cart with the mounting bracket up or down.
- ▶ Tighten the screws as far as they will go.
- ▶ The pull-out cart is aligned.

10 Recessed installation

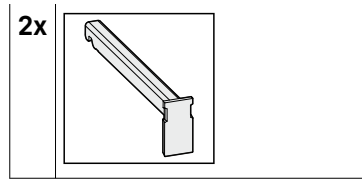
10.1 Tool



Before pushing the appliance into the recess, observe the fastening method:	
Lateral fastening	Ceiling fastening
Substructure under hard countertop such as granite	No granite plate
The appliance is lower than the countertop when the adjustable feet are fully extended.	The appliance sits slightly braced under the countertop when the adjustable feet are fully extended.
Unit side panel is available for screwing.	

10.2 Delivered contents

1x	
1x	
2x	
2x	



10.3 Preparing the appliance

- ▶ Insert the IEC socket of the power cable completely into the appliance plug on the rear side of the appliance.
- ▶ Ensure the IEC socket is firmly in place.
- ▶ Use a string to route the power plug to a socket outlet that is freely accessible.

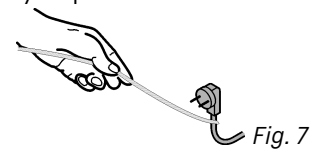


Fig. 7

NOTICE

Risk of damage when moving the appliance! When moving the appliance, you may damage the floor or the appliance's adjustable feet may break off.

Before moving it:

- ▶ Turn the adjustable feet in fully.
- ▶ Place one strip of cardboard (e. g. from the packaging) under each adjustable foot with approx. 100 mm (3 5/16 in) x 600 mm (23 1/2 in).

While moving:

- ▶ Move the appliance carefully.
- ▶ If the floor is not level: Lift the appliance carefully.

After moving it:

- ▶ Remove the cardboard strips.

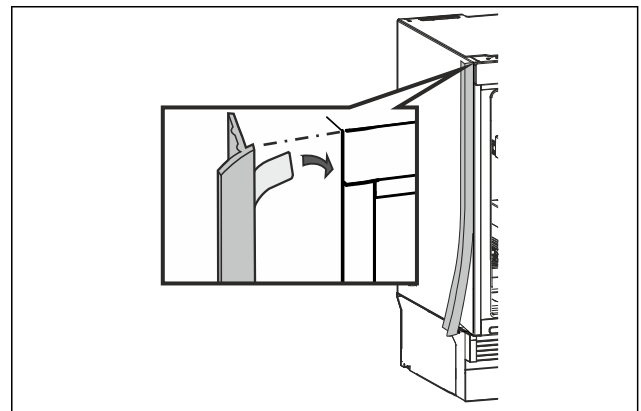


Fig. 8 Example illustration

- ▶ For 600 mm (23 1/2 in) wide recess: Do not use piping.
- ▶ For 610 mm (24 in) wide recess: Attach piping to the side.
 - Appliance rests against neighboring unit on the right: Install piping on the left.
 - Appliance rests against neighboring unit on the left: Install piping on the right.
- ▶ Place the piping at the top below the upper edge and glue it to the side panel. Do not shorten the piping.

Recessed installation

10.4 Fastening the appliance to the ceiling

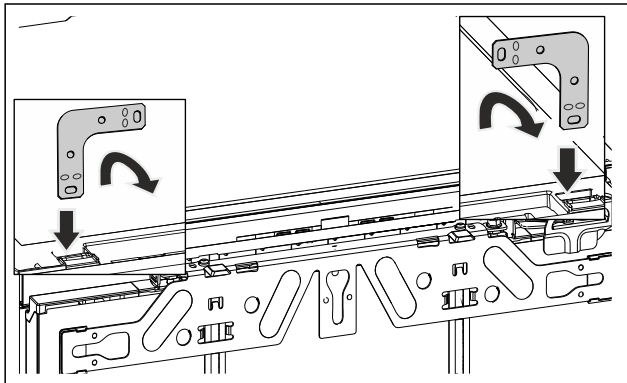


Fig. 9 Example illustration

- ▶ Insert the bracket into the opening in the appliance ceiling and bend it forward.



WARNING

Risk of fire from short circuit!

- ▶ If you are pushing the appliance into the recess: Do not kink, trap, or damage the power cable.
- ▶ Do not operate the appliance with a defective power cable.

- ▶ Push the appliance into the recess and align it, see point (see 10.6 Leveling out the appliance).

10.5 Fastening the appliance laterally

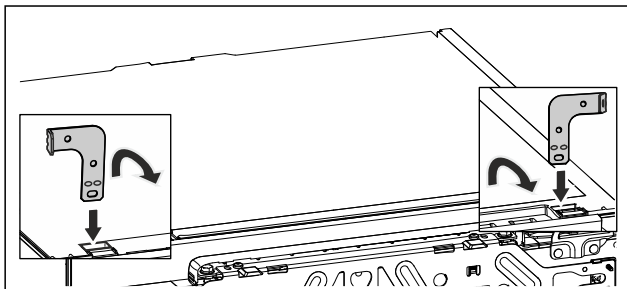


Fig. 10 Example illustration

- ▶ Bend both brackets at one end before installing. Insert the straight side into the opening in the appliance ceiling and bend it forward.



WARNING

Risk of fire from short circuit!

- ▶ If you are pushing the appliance into the recess: Do not kink, trap, or damage the power cable.
- ▶ Do not operate the appliance with a defective power cable.

- ▶ Push the appliance into the recess and align it, see point (see 10.6 Leveling out the appliance).

10.6 Leveling out the appliance

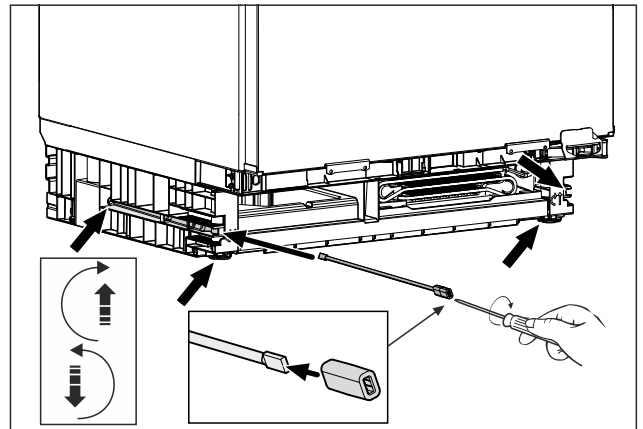


Fig. 11 Example illustration

- ▶ Unscrew the adjustable feet to below the worktop.
- ▶ Align the appliance so it stands up straight using a level.
- ▶ Keep the rod with adapter piece for dismantling the appliance.

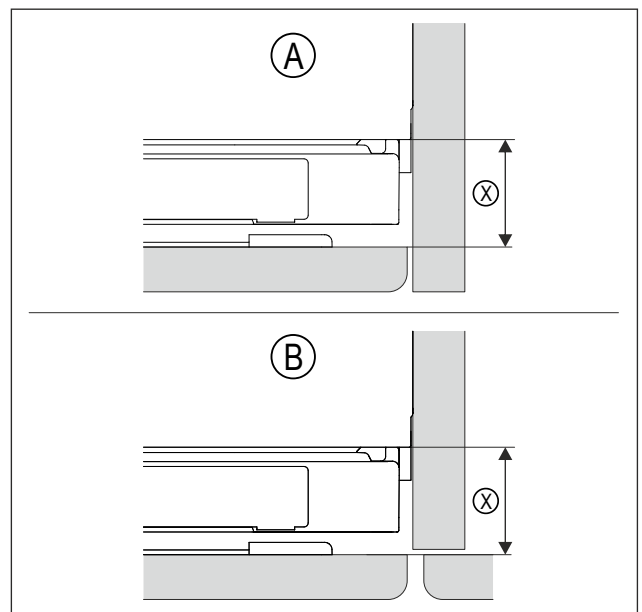


Fig. 12 Example illustration

(A) Recess with wall

(X) Is the distance between the appliance body and the rear side of the mounted cabinet front

(B) Recess with adjacent cabinets

- ▶ Check to ensure that the distance (X) corresponds to the installation situation (A) or (B).

(X)	42 mm (1 5/8 in)
If there is no unit side panel, use the worktop as a guide.	

Installing the cabinet doors

- ▶ Unscrew the adjustable feet alternately to the maximum. The maximum adjustment range is 60 mm (2 3/8 in).
- ▶ The appliance is aligned so it stands up straight.
- ▶ The appliance is slightly braced in the recess between the floor and worktop.

10.7 Installing the base

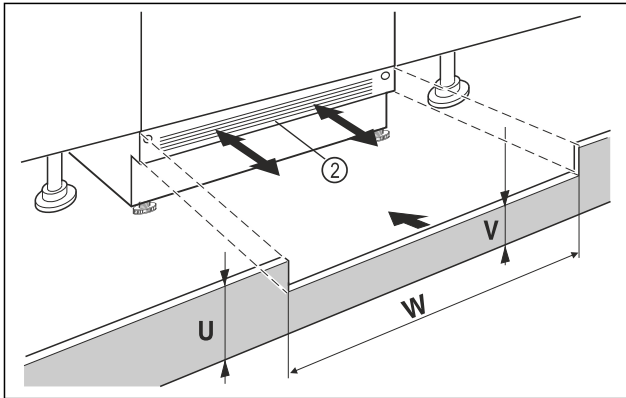


Fig. 13 Example illustration

- ▶ Put on the appliance base cover Fig. 13 (2) but do not fix it yet.
 - ▶ Position the unit door and unit base cover for testing
 - ▶ If the base cover Fig. 13 (2) is visible, pull it so far forward that the front edge of the ventilation grille and the unit base cover form one level.
- or-
- ▶ If the base cover is concealed Fig. 13 (2), push it all the way back.
 - ▶ Ensure that the ventilation slots are completely free: If necessary, cut the height of the unit base cover Fig. 13 (U) to size!
 - ▶ Adjust the bar height Fig. 13 (V) under the appliance base cover Fig. 13 (2) along the recess width Fig. 13 (W).

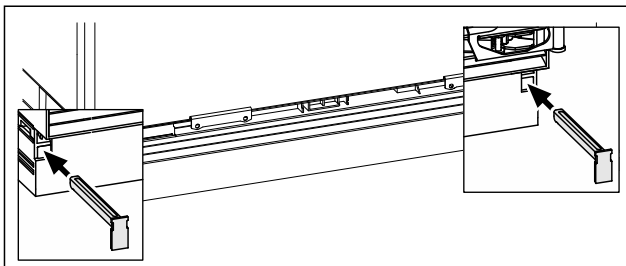


Fig. 14 Example illustration

- ▶ Fix the appliance base cover: Insert the latch while holding the appliance base cover.
- ▶ Fasten the unit base cover.

10.8 Fastening the appliance in the recess

Ceiling fastening:

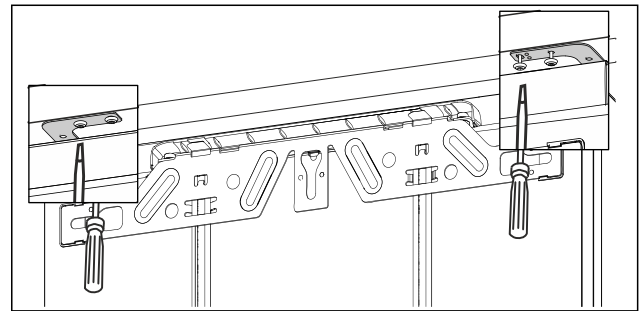


Fig. 15 Example illustration

- ▶ For fastening under the worktop, screw on the mounting brackets with two screws each underneath the worktop.

Lateral fastening:

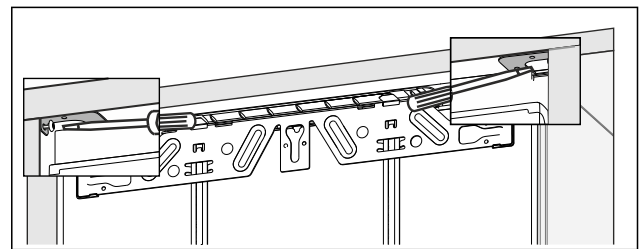
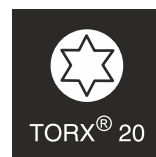
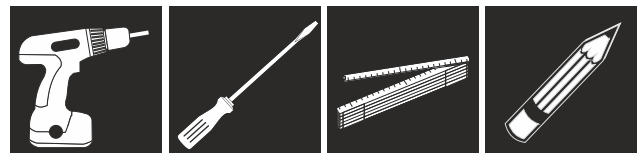


Fig. 16 Example illustration

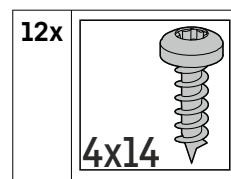
- ▶ For lateral fastening, screw the mounting bracket into the recess with one screw each on the right and left.

11 Installing the cabinet doors

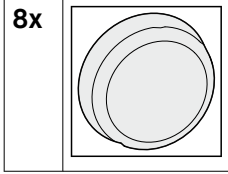
11.1 Tool



11.2 Scope of delivery



Installing the cabinet doors



11.3 Preparation

Cabinet door:

- ❑ Install the handle on the cabinet door; it is not possible to install it later.
- ❑ To ensure that the pull-out carts are pulled out evenly, always fit the handle centrally on the cabinet door.

11.4 Installing the top cabinet door

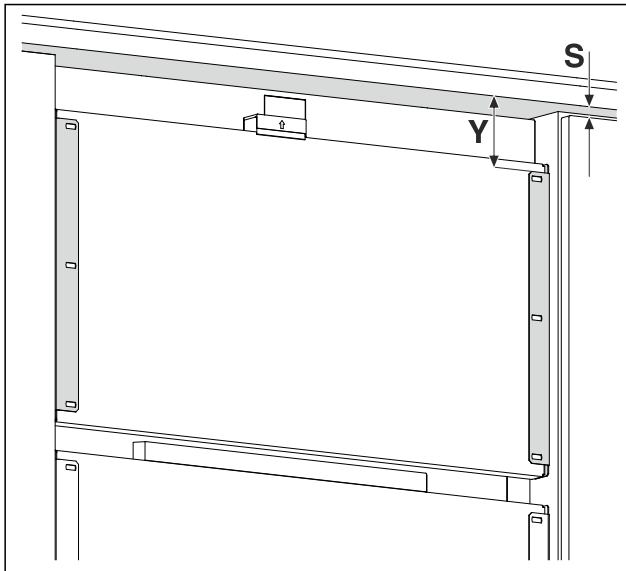


Fig. 17 Example illustration

- ▶ Measure the distance Fig. 17 (Y) from the bottom edge of the cabinet front to the bracket angle.
- ▶ Measure the gap dimension Fig. 17 (S) from the bottom edge of the cabinet front to the top edge of the cabinet door.

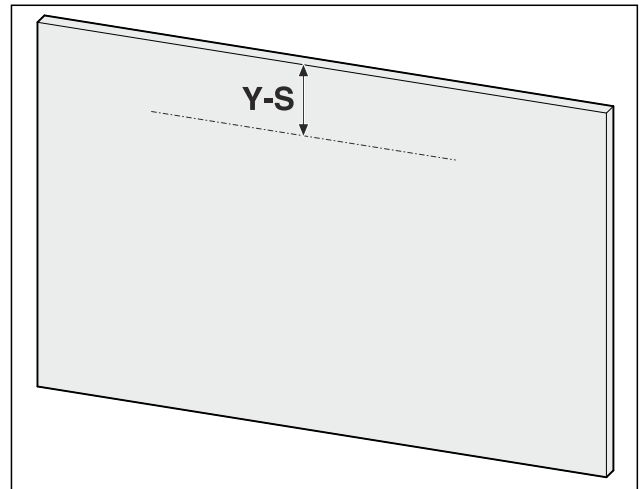


Fig. 18 Example illustration

- ▶ Transfer the dimension ($Y-S$) to the cabinet door.

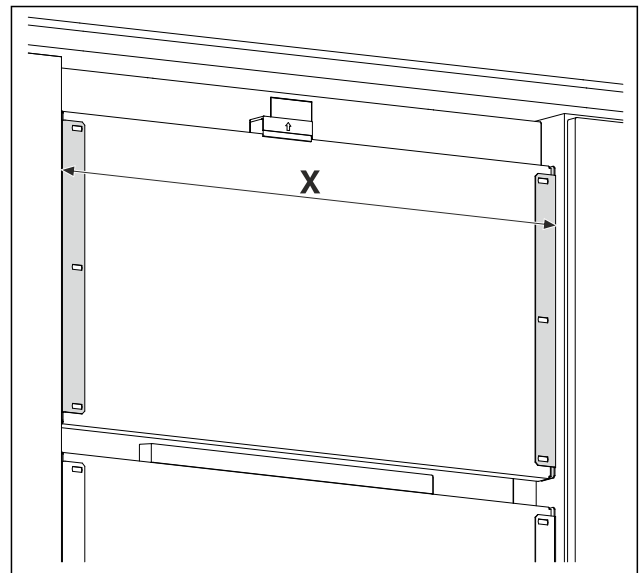


Fig. 19 Example illustration

- ▶ Measure the distance Fig. 19 (X) from the outside edge of the bracket angle.

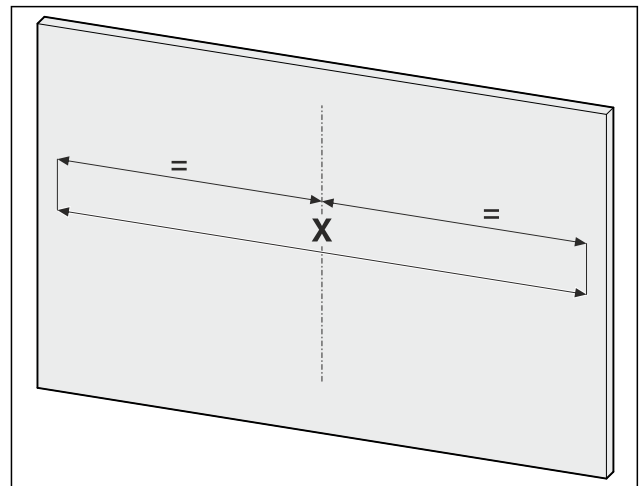


Fig. 20 Example illustration

Installing the cabinet doors

- ▶ Transfer the dimension to the cabinet door.

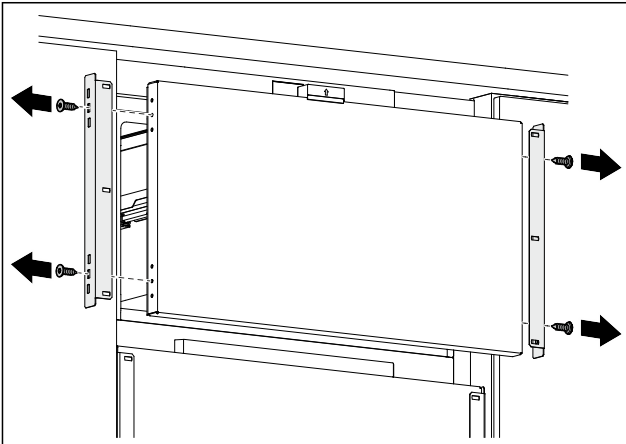


Fig. 21 Example illustration

- ▶ Remove the bracket angle.

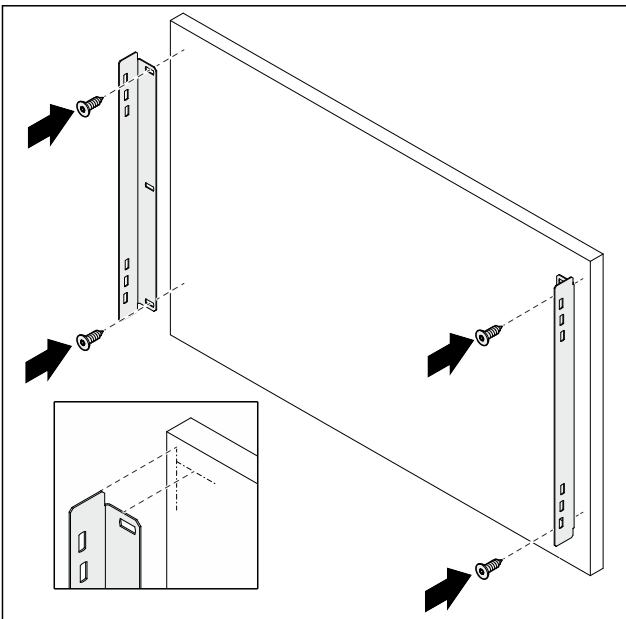


Fig. 22 Example illustration

- ▶ Install the bracket angle on the cabinet door.

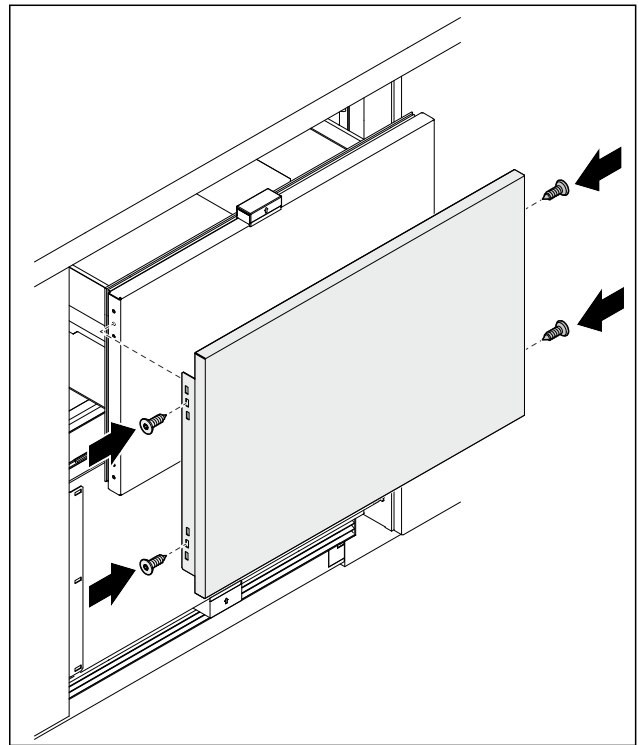


Fig. 23 Example illustration

- ▶ Install the cabinet door on the pull-out carts.

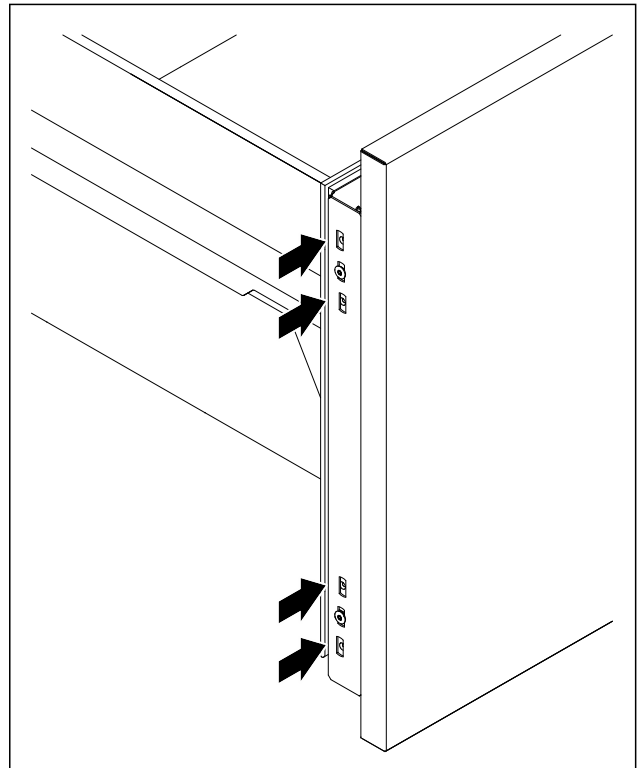


Fig. 24 Example illustration

- ▶ Align the door using different mounting positions by moving the screws from the middle to the lower or upper position.
- ▶ Top cabinet door installed.

Installing the cabinet doors

11.5 Installing the bottom cabinet door

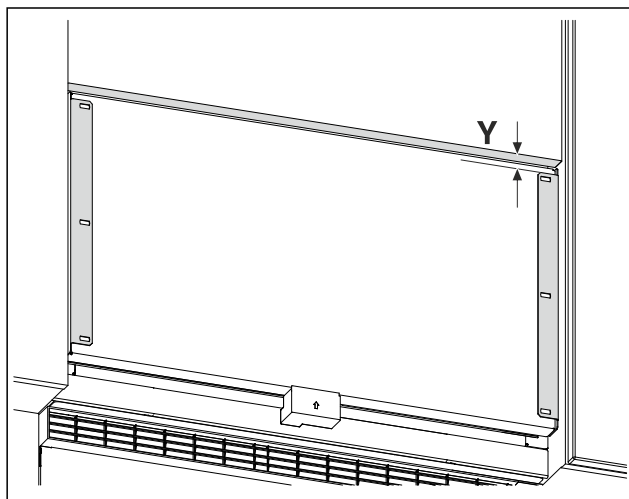


Fig. 25 Example illustration

- ▶ Measure the distance Fig. 25 (Y) from the bottom edge of the cabinet door to the bracket angle.

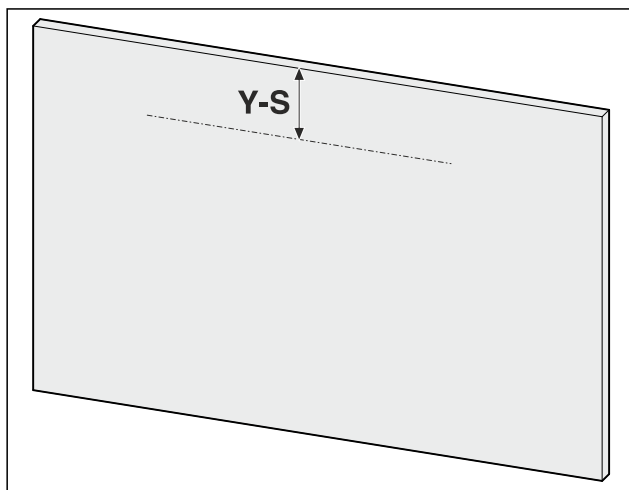


Fig. 26 Example illustration

(S) Desired gap dimension

- ▶ Transfer the dimension (Y-S) to the cabinet door.

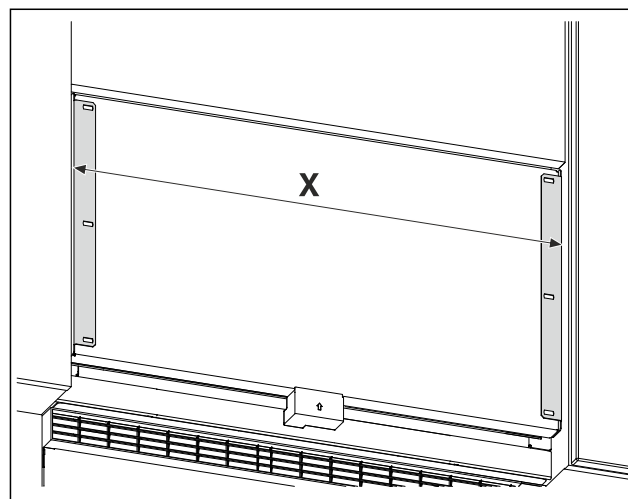


Fig. 27 Example illustration

- ▶ Measure the distance Fig. 27 (X) from the outside edge of the bracket angle.

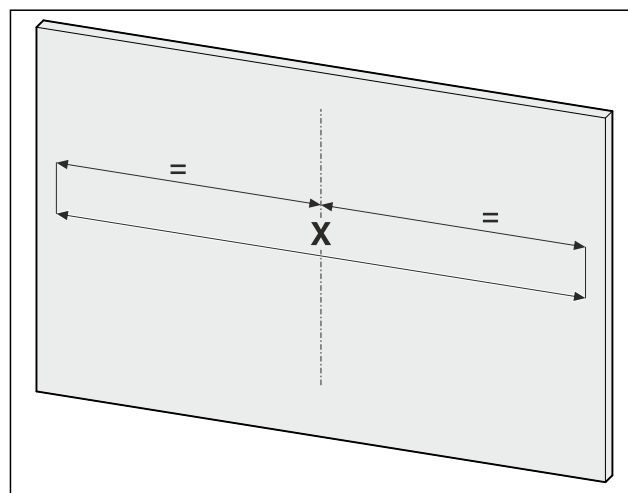


Fig. 28 Example illustration

- ▶ Transfer the dimension to the cabinet door.

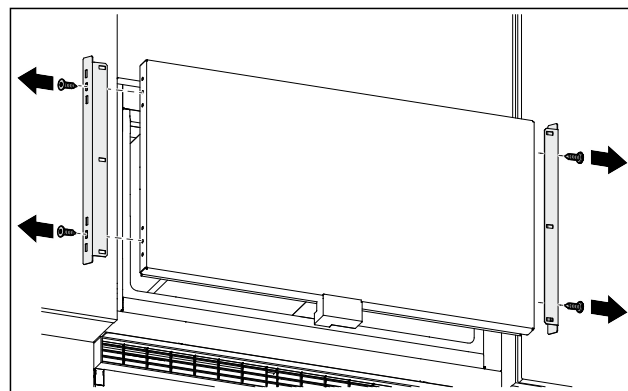


Fig. 29 Example illustration

- ▶ Remove the bracket angle.

Installing the cabinet doors

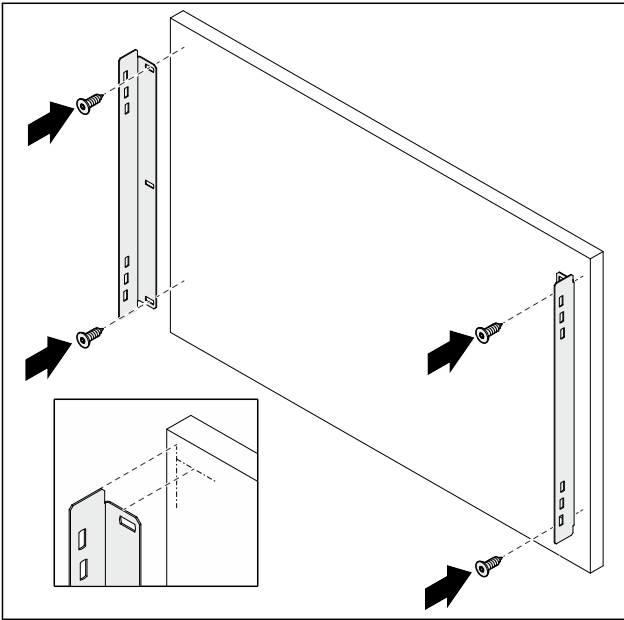


Fig. 30 Example illustration

- ▶ Install the bracket angle on the cabinet door.

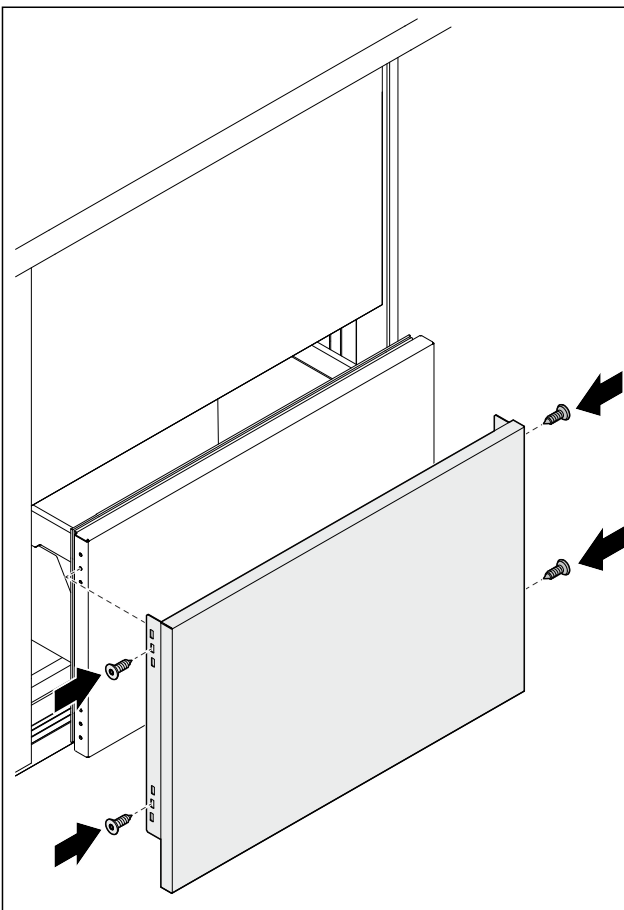


Fig. 31 Example illustration

- ▶ Install the cabinet door on the pull-out carts.

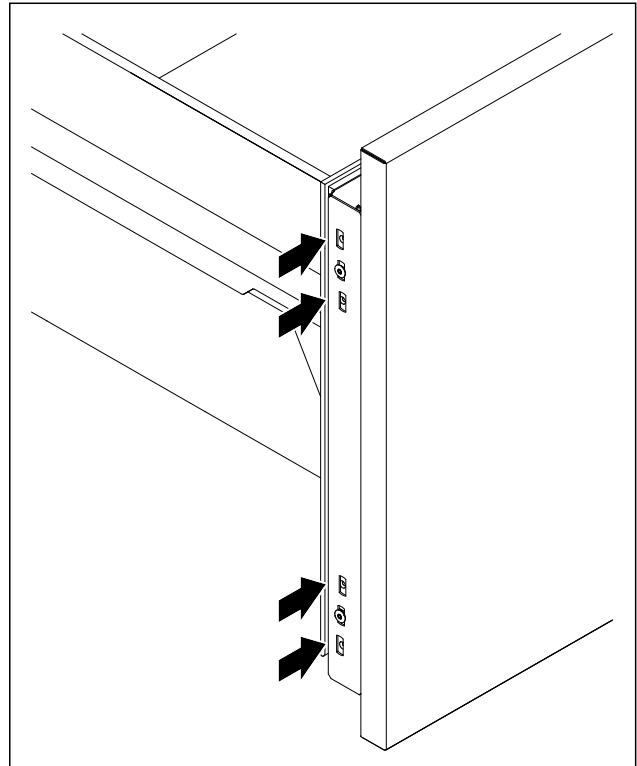


Fig. 32 Example illustration

- ▶ Align the door using different mounting positions by moving the screws from the middle to the lower or upper position.

Connecting the appliance to the power supply

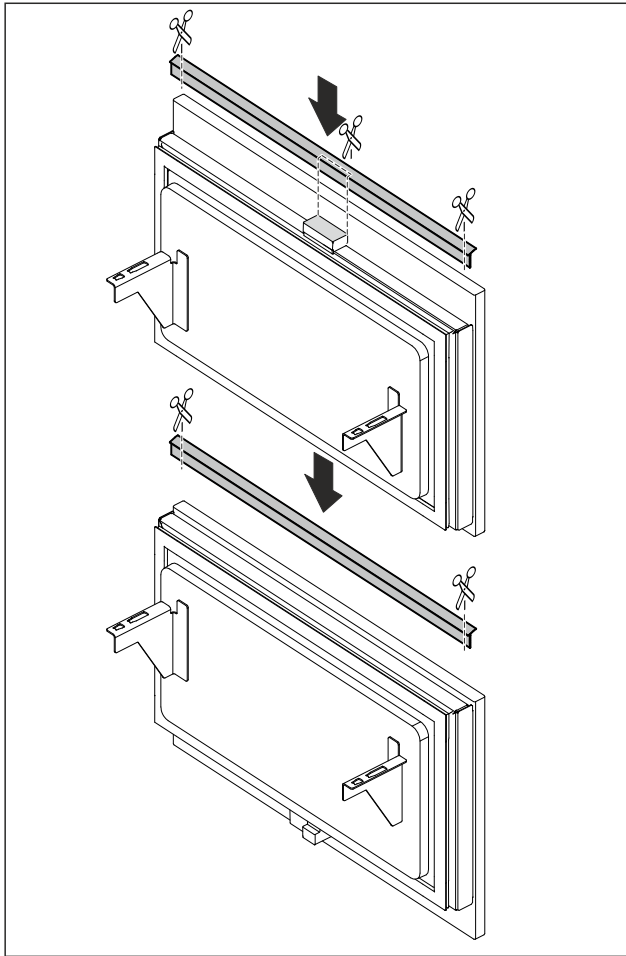


Fig. 33 Example illustration

- ▶ Shorten the piping to the desired length and mount it between the appliance door and the front panel.
- ▶ Bottom cabinet door installed.

12 Connecting the appliance to the power supply



WARNING

Danger of electric shock and injury due to damaged appliance or damaged mains cable!
Cuts and fatal injury. If the appliance or the mains cable is damaged during transport, you may be electrocuted. You could also cut yourself on damaged parts of the appliance housing.

- ▶ Check the appliance and the mains cable for damage after transport.
- ▶ Never put the appliance into operation if the appliance or the mains cable are damaged.
- ▶ Contact Customer Service.

You can connect your appliance to the mains using the power cable supplied separately. The mains power cable has an appliance coupler at one end and a mains plug at the other end.

Make sure that the following requirements are fulfilled:

- The appliance and power cable are undamaged.
- The appliance is installed in accordance with the regulations. (see 10 Recessed installation)
- Requirements for the electrical connection are met.
- Dimensions for connection in accordance with regulations are known and observed.
- Mains voltage and frequency correspond to the specifications on the type plate.
- The socket is grounded and fused in accordance with regulations.
- The tripping current for the fuse is between 10 A and 16 A.

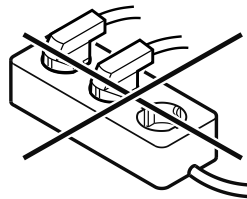
NOTICE

Danger of damage to incorrect operation!
Damage to the electrical components of the appliance.
▶ Only use the supplied power cable.



WARNING

Danger of fire due to incorrect connection!
Burns.
Damage to the appliance.
▶ Do not use an extension cord.
▶ Do not use a multipoint connector strip.



NOTICE

Danger of damage to incorrect connection!
Damage to the appliance.
▶ Do not connect the appliance to a stand-alone inverter, e.g. solar power systems and petrol generators.

- ▶ Connect the mains plug of the power cord to the power supply. Ensure the main plug is firmly plugged into the outlet.
- ▶ If no action is taken within 60 seconds: Standby symbol fades or disappears.*
- ▶ Appliance is connected. For initial commissioning, see the next chapter or the operating instructions.



home.liebherr.com/fridge-manuals

EN Under-worktop refrigerator

Issue date: 20260610

Part number index: 7083894-00

For Service in the U.S.: Liebherr Service Center
Toll Free: 1-866-LIEBHER or 1-866-543-2437
Service-appliances.us@liebherr.com
PlusOne Solutions, Inc.
3501 Quadrangle Blvd, Suite 120
Orlando, FL 32817

For Service in Canada: Liebherr Service Center
Toll Free: 1-888-LIEBHER or 1-888-543-2437
www.euro-parts.ca
EURO-PARTS CANADA
39822 Belgrave Road, Belgrave, Ontario, N0G 1E0
Phone: (519) 357-3320 | Fax: (519) 357-1326