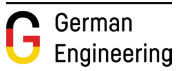


SC7751 & SCB7760IM

Freestanding counter-depth

LIEBHERR

Refrigeration and Freezing



home.liebherr.com



SC7751 & SCB7760IM

Energy consumption

| | |
|---------------------------------------|-------|
| Left appliance: SC7751 | |
| Energy consumption in 365 days kWh | 354** |
| Estimated Yearly Energy Cost in US \$ | 50 |
| Left appliance: SCB7760IM | |
| Energy consumption in 365 days kWh | 445** |
| Estimated Yearly Energy Cost in US \$ | 62 |

Capacity

| | |
|---------------------------------|------------|
| Total capacity cu.ft. (l) | 33.6 (952) |
| Refrigerator comp. cu.ft. (l) | 19.4 (548) |
| BioFresh compartment cu.ft. (l) | 19.4 (548) |
| Freezer Compartment. cu.ft. (l) | 9.8 (277) |

Sound rating dB(A) 35*

Ice cube output lbs. (kg) / 24h 2.6 (1.2)

Ice cube stock lbs. (kg) 11.9 (5.4)

Door hinges Left / right

Product dimensions

| | |
|---------------------|---------------------------|
| in inch (H / W / D) | 79 5/16 59 1/4 26 5/8 |
| in cm (H / W / D) | 202 150 67.6 |

Cut out dimensions

| | |
|---------------------|----------------------|
| in inch (H / W / D) | 80 / 60 / 24 |
| in cm (H / W / D) | 203.2 / 152.4 / 60.9 |

Energy supply

Voltage V / Hz 115/60

Net weight lbs. (kg) 459.4 (212.9)

Ventilation requirements for installation per unit included with cut-out dimension 200cm²/ 31 inc²

Accessories

| | |
|---|---------|
| Side-by-side kit | 9905353 |
| Top Ventilation grill for 60 "W x 4" H | 9903656 |
| FreshAir carbon activated air filter | 9882460 |
| Door opening limitation | 9096414 |

Features

Duo Cooling

Lengthen the shelf life and preserve the flavor of your foods with a dual refrigeration system that creates ideal conditions in both the refrigerator and freezer.

Fish & Seafood Safe

The Fish & Seafood Safe stores fish and seafood at the optimum temperature of 28° F (-2°C) zone as much as you want - and store the remaining meat and dairy products at the optimum 32° F (0 °C). An LED display indicates that the 28° F (-2°C) zone is currently active.

Bio Fresh

Preserve just-bought groceries for optimum food freshness, while sealing in flavors and maintaining essential vitamins and minerals.

Vario Temp

VarioTemp means you have plenty of scope when storing food in your fridge freezer. This is because you can also set the accurate temperature in the freezer compartment in a range between 28°F to 57°F (-2°C to 14°C) – and therefore also use this compartment as a further cooling zone.

Smart Device Box

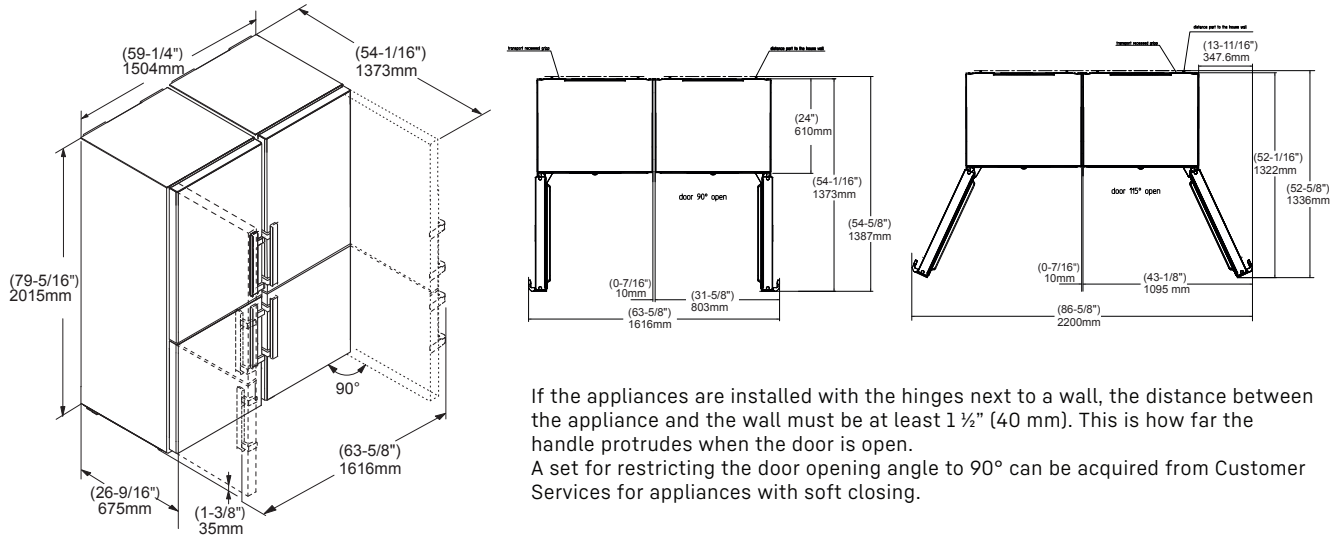
Want to be prepared for the future of the Smart Home? The SmartDeviceBox can be installed in just a few steps and will open up the whole world of digital possibilities to you today.

* Sound rating dB(A) based on a controlled environment reading.

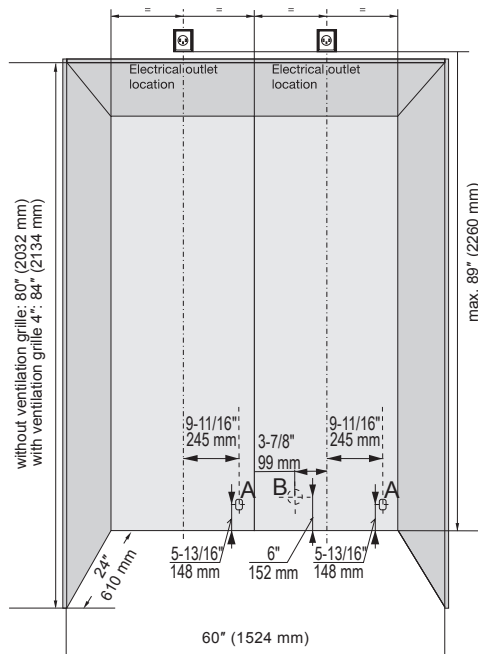
** Estimated energy costs will depend on utility rates and use. Estimated energy costs are based on a national average electricity cost of 14 cents per kWh.

Diagrams

Product Dimensions



Semi built-in look – Cutout Dimensions

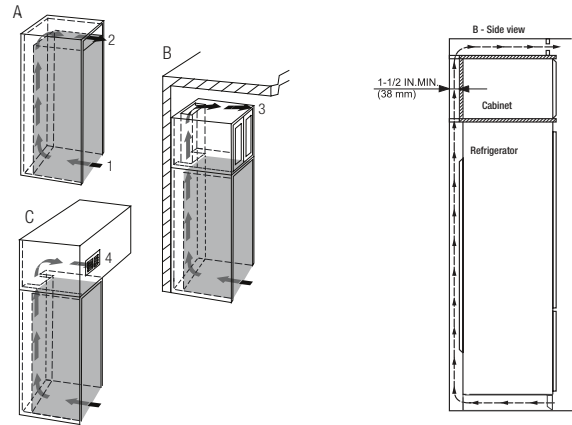


This side by side requires a Side by Side kit to attach both appliances together and provide a finish look.

This side by side combination can be installed in a 84" recess, the remaining gap above the appliances can be covered with a decorative grill 9903 656, adjustable to a width of 60". The decorative grille is intended to be used as a filler for 84" openings.

The decorative top grille is attached to the cabinets / gables on either side of it and not to the appliance itself nor any cabinet above.

Ventilation Requirements



If the appliance is integrated in a fitted kitchen, the following ventilation requirements must be met: - The spacing fins on the back of the appliance are used to ensure sufficient ventilation. These must not lie in cavities or recesses in their final installation position. - Basically, the larger the ventilation gap, the more energy the appliance saves during operation. Do not restrict the air flow.

A cross-sectional air flow of at least 31 in² (200cm²) per appliance at the airflow inlet (1) and at the airflow outlet (2).

The top ventilation space can be directed in one of the following ways:

- A. Directly over the appliance (2) with a gap between the ceiling of the unit and the cabinet
- B. Above the cabinet and below the ceiling (3).
- C. Through a vent installed in a soffit (4).

Be sure to consider the possibility of having to raise some of the leveling legs in order to level the appliance when installing. If you adjust the height of the appliance - it will effectively reduce air flow. Therefore leave yourself some room for adjustment. The appliance is designed to allow proper air flow when installed up against the wall.