



Installation Guide

Quality, Design and Innovation



home.liebherr.com/fridge-manuals




LIEBHERR


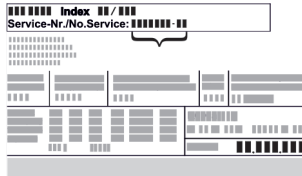
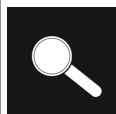



General safety instructions

Contents

| | | |
|-----------|---|-----------|
| 1 | General safety instructions..... | 2 |
| 2 | Installation requirements..... | 3 |
| 2.1 | Installation site..... | 3 |
| 2.2 | Position in space..... | 3 |
| 3 | Appliance dimensions..... | 4 |
| 4 | Recess dimensions..... | 4 |
| 4.1 | Internal dimensions..... | 4 |
| 5 | Ventilation requirements..... | 5 |
| 6 | Custom panel weights..... | 5 |
| 7 | Water connection*..... | 5 |
| 7.1 | Dimensions for the water connection..... | 5 |
| 7.2 | Water pressure..... | 5 |
| 8 | Transporting the appliance..... | 5 |
| 8.1 | Transporting the appliance for initial use..... | 5 |
| 8.2 | Transporting the appliance after initial use..... | 5 |
| 9 | Unpacking the appliance..... | 6 |
| 10 | Setting up the appliance..... | 6 |
| 10.1 | After installation..... | 6 |
| 11 | Installing multiple appliances..... | 6 |
| 12 | Disposing of packaging..... | 6 |
| 13 | Explanation of symbols used..... | 7 |
| 14 | **** freezer compartment door*..... | 8 |
| 14.1 | Moving the door hinge..... | 8 |
| 15 | Door hinge change..... | 8 |
| 16 | Connecting the appliance to the water supply*.. | 8 |
| 16.1 | Connecting the hose..... | 8 |
| 16.2 | Checking the water system..... | 9 |
| 17 | Installing the appliance in the recess..... | 9 |
| 17.1 | Preparing the recess and the appliance..... | 10 |
| 17.2 | Aligning the appliance in the recess..... | 11 |
| 17.3 | Temporarily fastening the knocking sensor..... | 13 |
| 17.4 | Inserting the covers and height adjuster..... | 14 |
| 17.5 | Mounting the front of the cabinet..... | 15 |
| 17.6 | Fastening the knocking sensor..... | 17 |
| 17.7 | Fitting the covers and rubber gasket..... | 18 |
| 17.8 | Setting the sensitivity of the knocking sensor..... | 18 |
| 17.9 | Checking the installation..... | 18 |
| 18 | Cabinet fronts..... | 18 |
| 18.1 | Dimensions..... | 18 |
| 18.2 | Mounting the cabinet front(s)..... | 19 |
| 18.3 | Setting the clearance to avoid collision..... | 19 |
| 19 | Water tank*..... | 20 |
| 19.1 | Inserting the water tank..... | 20 |
| 20 | Water filter*..... | 20 |
| 20.1 | Inserting the water filter..... | 20 |
| 21 | Connecting the appliance to the power supply.... | 20 |

The manufacturer is continually working on the further development of all types and models. Please be aware that we reserve the right to make changes to the shape, equipment and technology.

| Symbol | Explanation |
|---|--|
|  | Read instructions Please read the information in these instructions carefully to understand all of the benefits of your new appliance. |

| Symbol | Explanation |
|---|---|
|  | Additional information on the Internet The digital manual with additional information and in other languages can be found via the QR code on the front of the manual or by entering the service number at home.liebherr.com/fridge-manuals . The service number can be found on the serial tag:  <i>Fig. Example illustration</i> |
|  | Check appliance Check all parts for transport damage. If you have any complaints, please contact your agent or customer service. |
|  | Differences These instructions apply to a range of models, so differences are possible. Sections that apply to certain models only are marked with an asterisk (*). |
|  | Instructions and results Instructions are marked with a ►. Results are marked with a ▷. |
|  | Videos Videos about the appliances are available on the YouTube channels of Liebherr-Hausgeräte. |

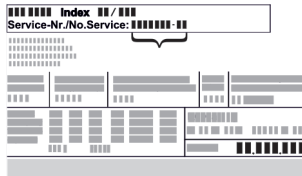
Open source licences:

The appliance contains software components that use open source licences. Information on the open source licences used can be found here: home.liebherr.com/open-source-licences

1 General safety instructions

- Please keep this assembly manual in a safe place so you can refer back to it at any time.
- If you pass the appliance on, please hand this assembly manual to the next user.
- Read this assembly manual carefully before installation and use to ensure safe and correct use of the appliance. Follow the instructions, safety instructions and warning messages included at all times. They are important for ensuring you can operate and install the appliance safely and without any problems.
- First read the general safety instructions in the “General safety instructions” section of the **operating instructions**, which accompany these installation instructions, and follow them. If you cannot find the **operating instructions**, you can download the **operating instructions** from the internet by entering the service number at home.liebherr.com/fridge-manuals.

The service number can be found on the serial tag:



WARNING

Leaking coolant and oil!

Fire. The coolant contained in the appliance is eco-friendly, but also flammable. The oil contained in the appliance is flammable. Escaping coolant and oil can ignite if the concentration is high enough and in contact with an external heat source.

- ▶ Do not damage the pipelines of the coolant circuit and the compressor.

- Observe the warning messages and other detailed information in the other sections when installing the appliance:

| | | |
|--|---------|---|
| | DANGER | identifies a situation involving direct danger which, if not obviated, may result in death or severe bodily injury. |
| | WARNING | identifies a dangerous situation which, if not obviated, may result in death or severe bodily injury. |
| | CAUTION | identifies a dangerous situation which, if not obviated, may result in minor or medium bodily injury. |
| | NOTICE | identifies a dangerous situation which, if not obviated, may result in damage to property. |
| | Note | identifies useful instructions and tips. |

2.1 Installation site

- Only set up and use the appliance in enclosed spaces.
- Only operate the appliance when it is installed.
- If the appliance is installed in a very damp environment, condensation may form on the appliance exterior. Always make sure there is good ventilation and aeration at the installation site.
- The more refrigerant there is in the appliance, the larger than room must be in which it is located. In rooms that are too small, a leak can produce a flammable gas/air mixture. For every 8 g of refrigerant, the installation room must be at least 1 m³ in size. Information on the refrigerant contained is given on the type plate inside the appliance.
- The floor on which the appliance stands must be horizontal and level.

2 Installation requirements

The installation conditions are crucial to ensure that you can operate your appliance safely, efficiently and without problems.

- Observe all safety instructions.
- Consider the location and position in the room.

2.2 Position in space

- Do not install the appliance in direct sunlight or near radiators or similar sources of heat.
- You can install the appliance directly next to an oven.
- If the appliance is installed directly next to an oven, the energy consumption may increase slightly. This is dependent on the service life and usage intensity of the oven.
- Only fit the appliance into solid units.
- Use in hazardous areas is not permitted.



WARNING

Danger of fire due to incorrect positioning!

If the mains cable or plug touches the back of the appliance, the vibration can damage the mains cable or the plug resulting in a short circuit.

- ▶ Make sure the mains cable is not trapped under the appliance when you position the appliance.
- ▶ Stand the appliance so that it is not touched by connectors or main cables.
- ▶ Do not connect any appliances to sockets in the area of the back of the appliance.
- ▶ Do **not** place and operate multi-sockets/power distributors and other electronic devices (such as halogen transformers) at the back of the appliances.



WARNING

Fire hazard due to dampness!

If live parts or the mains lead become damp this may cause short circuits.

- ▶ The appliance is designed for use in enclosed areas. Do not operate the appliance outdoors or in areas where it is exposed to splash water or damp conditions.

Appliance dimensions

3 Appliance dimensions

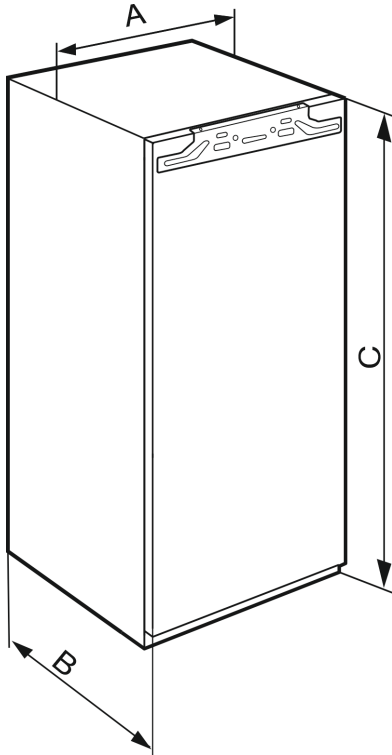


Fig. 1

| IRBA.. 41.. | |
|---------------|------|
| A (mm) | 559 |
| B (mm) | 546 |
| C (mm) | 1213 |

| IRBA.. 51.. / SIFNA.. 51.. | |
|----------------------------|------|
| A (mm) | 559 |
| B (mm) | 546 |
| C (mm) | 1770 |

4 Recess dimensions

4.1 Internal dimensions

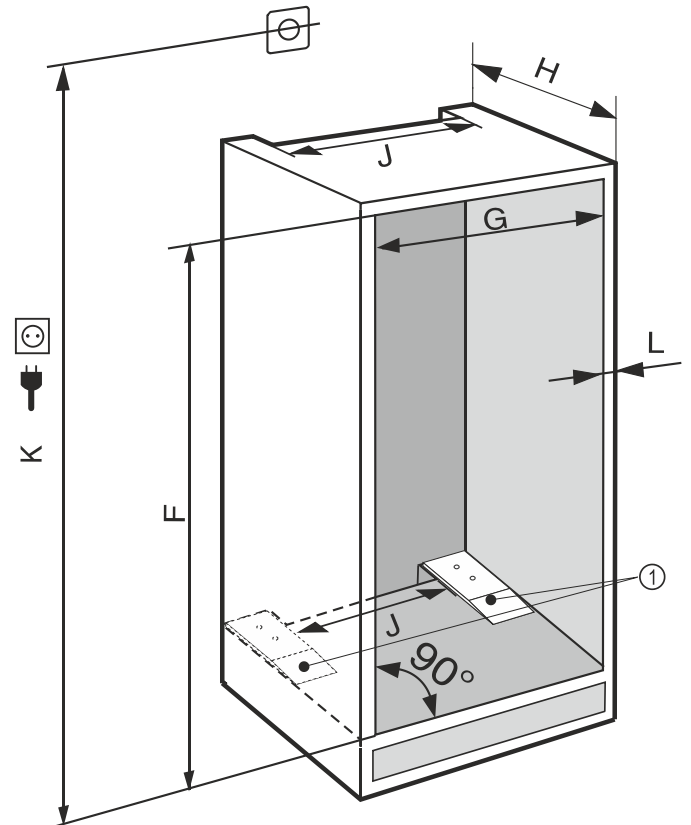


Fig. 2

(K) max. 2100 mm

(1) Spacer plate installation is relevant for functions.

Observe the following information for appliances with a fixed water connection:*

- Water connection (see 7 Water connection*)
- Connecting the appliance to the water supply (see 16 Connecting the appliance to the water supply*)

| IRBA.. 41.. | |
|---------------|---------------------------|
| F (mm) | 1220 to 1236 |
| G (mm) | 560 to 570 |
| H (mm) | min. 555, recommended 560 |
| J (mm) | min. 500 |
| L (mm) | max. 19 |

| IRBA.. 51.. / SIFNA.. 51.. | |
|----------------------------|---------------------------|
| F (mm) | 1777 to 1793 |
| G (mm) | 560 to 570 |
| H (mm) | min. 555, recommended 560 |
| J (mm) | min. 500 |
| L (mm) | max. 19 |

The specified energy consumption was determined with a kitchen unit depth of 560 mm . The device will work properly at a kitchen unit depth of 550 mm , but with a slightly higher energy consumption.

- Check the wall thickness of adjacent cabinets: They must have a minimum of 16 mm .

- ▶ Only fit the appliance into stable, solid kitchen units. Secure the unit against tipping.
- ▶ Align the cabinets with a spirit level and a try square. If necessary, level them by putting something underneath them.
- ▶ Make sure floor and the side panels of the cabinet are at right angles to each other.

5 Ventilation requirements

NOTICE

Covered vents!

Damage. Appliance can overheat, which can reduce the service life of various parts of the appliance and lead to operational impairments.

- ▶ Always make sure there is good ventilation.
- ▶ Always keep vents or ventilation grids in the appliance housing and in the kitchen furniture (fully integrated appliance) unobstructed.
- ▶ Always keep the fan air vents unobstructed.

Always follow the required ventilation gaps:

- The depth of the ventilation shaft at the back of the cabinet must be at least 38 mm.
- At least 200 cm² is required for the ventilation gap cross sections in the plinth and the housing cabinet.
- As a rule, the larger the ventilation cross-section, the more efficiently the appliance will run.

Sufficient ventilation is required for the operation of the appliance. The ventilation grids provided ensure an effective ventilation cross-section on the appliance of 200 cm². If you replace the ventilation grids with a cover plate the ventilation cross-section must be at least as large as the ventilation grid provided by the manufacturer.

6 Custom panel weights

NOTICE

An excessively heavy custom panel can potentially cause damage!

If the custom panel is too heavy, damage to the hinges cannot be ruled out, which may compromise the functionality of the unit.

- ▶ Before fitting the custom panel, ensure the custom panel does not exceed the permissible weight.

| Recess height (mm) | Appliance type | Maximum weight of custom panel (kg) |
|--------------------|-----------------------------|-------------------------------------|
| 1220 | IRBA.. 41.. | 19 |
| 1780 | IRBA.. 51.. SIFNA.. 51.. | 26 |

Single-door fridges and freezers

7 Water connection*

If your appliance has a fixed water connection, a hose is supplied with it.

Note

You can purchase a hose of a different length as an accessory.

| | |
|--|---|
| Overview of dimensions for the water connection: | (see 7.1 Dimensions for the water connection) |
| Requirements for the water pressure: | (see 7.2 Water pressure) |

Make the water connection: (see 16 Connecting the appliance to the water supply*)

7.1 Dimensions for the water connection

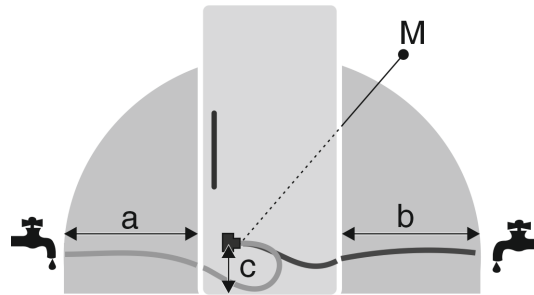


Fig. 3

- (a) Maximum available hose length
- (b) Maximum available hose length
- (c) Distance of solenoid valve to floor
- (M) Solenoid valve

7.2 Water pressure

The water connection line and solenoid valve of the appliance are suitable for a water pressure of up to 1 MPa (10 bar).

To ensure that the appliance functions correctly (flow rate, ice cube size, noise level), maintain the following water pressure:

| Water pressure: | |
|-----------------|--------------|
| bar | MPa |
| 1.5 to 6.2 | 0.15 to 0.62 |

| Water pressure when using the water filter:* | |
|--|--------------|
| bar* | MPa* |
| 2.8 to 6.2 | 0.28 to 0.62 |

If the pressure is higher than 6.2 bar:

- ▶ Fit a pressure reducer.
- ▶ Make the water connection. (see 16 Connecting the appliance to the water supply*)

8 Transporting the appliance

8.1 Transporting the appliance for initial use

Ensure that the following requirements are met:

- The appliance is packaged.
- The appliance is upright.
- ▶ Transport the appliance with the help of two people.
- ▶ Unpacking the appliance. (see 9 Unpacking the appliance)

8.2 Transporting the appliance after initial use

Observe the following instructions if you wish to transport or move the appliance again after initial use.

Ensure that the following requirements are met:

- The appliance is emptied.

Unpacking the appliance

- The appliance is upright.
- Appliance with door(s): Door is secured against accidental opening.
- Appliance with telescopic unit: The telescopic unit is secured against accidental opening.
- Appliance is removed.
- ▶ Transport the appliance with the help of two people.

9 Unpacking the appliance

Before you connect the appliance, report any damage immediately to the delivery company.

- ▶ Check the appliance and the packaging for damage during transport. Contact the supplier immediately if you suspect any level of damage.
- ▶ Remove all materials from the back or the side walls of the appliance that may prevent proper installation or ventilation.
- ▶ Remove all protective films from the appliance. Do not use sharp or pointed objects for this.

10 Setting up the appliance



CAUTION

Risk of injury due to heavy appliance!

- ▶ Have two people transport the appliance to its installation site.



WARNING

Danger of injury and damage due to the appliance being unstable!

The appliance can topple over.

- ▶ Secure the appliance as described in the instructions.



WARNING

Fire hazard and danger of damage!

- ▶ Do not place appliances emitting heat e.g. microwaves, toasters etc. on the appliance!

If possible, have the appliance installed in the kitchen unit by a professional.

Do not install the appliance on your own.

10.1 After installation

- ▶ Remove all transport safety components.

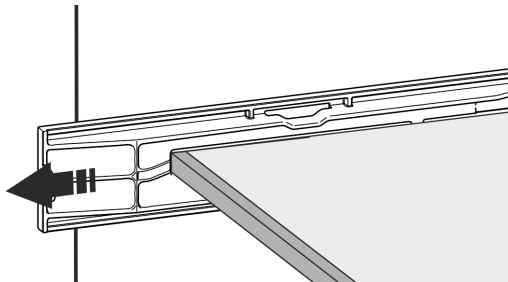
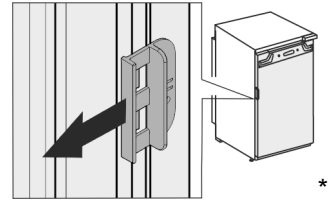


Fig. 4

- ▶ Pull off the transport lock on the appliance door.



- ▶ Clean the appliance (see User Guide, Cleaning the appliance).

11 Installing multiple appliances

The appliances have been developed for different installation methods. If you wish to install several appliances next to each other or on top of each other, ensure that the following requirements are met:

- Only install appliances next to or on top of each other if they have been developed for this.
- Observe notices and the following table.

NOTICE

Risk of damage due to condensate!

- ▶ Do not place the appliance directly next to another cooling/refrigeration unit.

NOTICE

Risk of damage due to condensation!

- ▶ Do not place the appliance directly on top of another cooling/refrigeration unit.

| Model | Installation method |
|---|----------------------|
| All models | Standalone |
| Models with a model designation starting with S... | Side-by-Side (SBS) |
| Models up to a maximum niche height of 880 mm and with a heated ceiling can be installed "on top of each other". Top appliance: up to a maximum niche height of 140 mm | On top of each other |

Models and their installation method

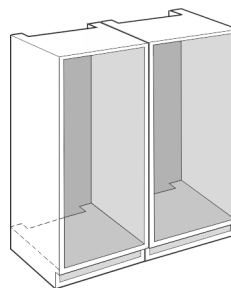


Fig. 5

Install each appliance into a separate unit niche.

12 Disposing of packaging



WARNING

Danger of suffocation due to packing material and plastic film!












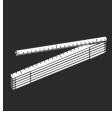
- ▶ Do not allow children to play with packing material.

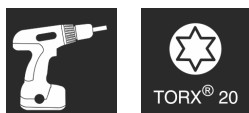







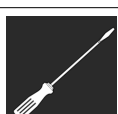
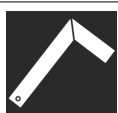
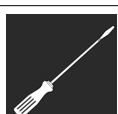
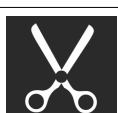
The packaging is made of recyclable materials:

- corrugated board/cardboard

- expanded polystyrene parts
- polythene bags and sheets
- polypropylene straps
- nailed wooden frame with polyethylene panel*
- ▶ Take the packaging material to an official collecting point.

13 Explanation of symbols used

| | |
|--|--|
|  | There is a danger of injury during this step! Observe the safety instructions! |
|  | The instruction is valid for several models. Only perform this step if it applies to your appliance. |
|  | For installation, please refer to the detailed description in the text section of the instructions. |
|  | Section is valid for either a single-door appliance or a double-door appliance. |
|  | Choose between the following options: Appliance with door hinge on the right or appliance with door hinge on the left. |
|  | Installation step required for IceMaker and/or InfinitySpring. |
|  | Only loosen or lightly tighten the screws. |
|  | firmly tighten the screws. |
|  | Check whether the following step is necessary for your model. |
|  | Check that the components used are correctly installed/fitted. |
|  | Measure the specified dimension and correct if necessary. |
|  | Tool for installation: Metre stick |

| | |
|---|--|
|  | Tool for installation: Cordless screwdriver and use A lengthwise bit insert is recommended for good access to the screws. |
|  | Tool for installation: Spirit level |
|  | Tool for installation: Open-end wrench with AF 7 and AF 10 |
|  | Two people are required for this step. |
|  | The step takes place at the marked location on the appliance. |
|  | Aid for installation: String |
|  | Aid for installation: Protractor |
|  | Aid for installation: Screwdriver |
|  | Aid for installation: Scissors |
|  | Aid for installation: Marking pen, wipeable |
|  | Included: Remove components |
|  | Dispose of components that are no longer required in accordance with local regulations. |

**** freezer compartment door*

14 **** freezer compartment door*

It is very easy to reposition the hinge of the **** freezer compartment door if the main door hinge is swapped. If the main door of the appliance can be opened to more than 115° (1), you can open the freezer compartment without repositioning the hinge. If the opening angle (2) of the appliance door is less than this, the hinge must be repositioned.

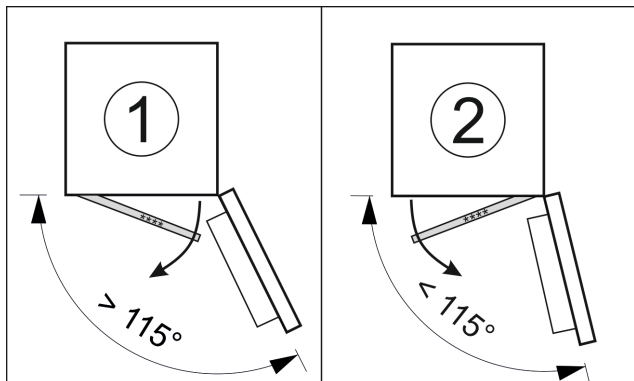


Fig. 6

14.1 Moving the door hinge

The slider for moving the door hinge is located on the back of the **** freezer compartment door at the bottom.

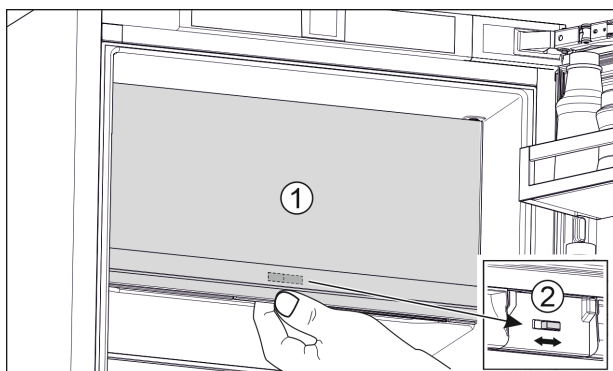


Fig. 7

- ▶ Close the **** freezer compartment door (1).
- ▶ Grab the **** freezer compartment door from below.
- ▶ Move the slider (2) either to the right or to the left.

15 Door hinge change

A separate accessory kit is available from customer service for reversing the door hinge.

Liebherr recommends:

- ▶ Have the door hinge reversed by a service technician.

16 Connecting the appliance to the water supply*

Make sure that the following requirements are fulfilled:

- ❑ The dimensions for the water supply connection are known and complied with. (see 7.1 Dimensions for the water connection)
- ❑ The correct water pressure is maintained. (see 7.1 Dimensions for the water connection)

- ❑ Water is supplied to the appliance via a cold water pipe which can withstand the operating pressure and is connected to the drinking water supply.
- ❑ All equipment and devices used to supply water must comply with the regulations in force in the respective country.
- ❑ The rear of appliance is accessible so that you can connect the appliance to the drinking water supply.
- ❑ The supplied hose is used. Old hoses have been disposed of.
- ❑ The hose connector contains a filter with a seal.
- ❑ There is a tap between the hose line and the domestic water connection so that you can turn off the water supply if necessary.
- ❑ The tap is not directly behind the appliance and is easily accessible. This way, you can push the appliance as far as possible into the cabinet recess and can quickly turn off the tap if necessary.



WARNING

Risk of electric shock from water!

- ▶ Before connecting to the water pipe: Disconnect the appliance from the mains.
- ▶ Before connecting to water supply lines: Shut off the water supply.
- ▶ Make sure that only qualified personnel connect the device to the drinking water supply.



WARNING

Risk of poisoning due to contaminated water!

- ▶ Only connect to the drinking water supply.

16.1 Connecting the hose

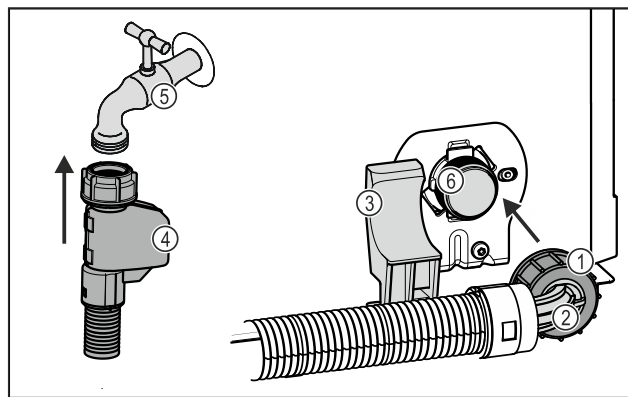
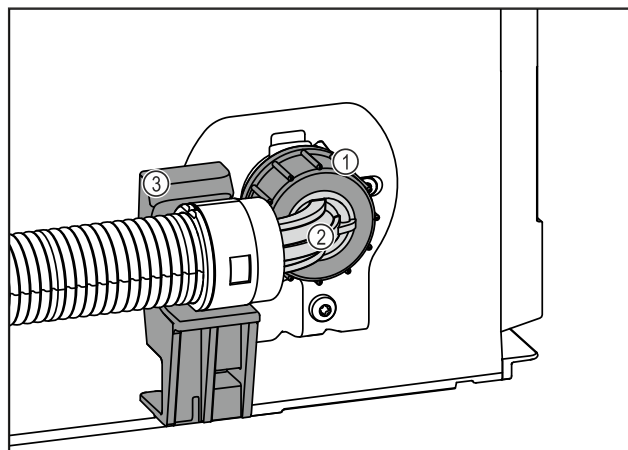


Fig. 8



Installing the appliance in the recess

Fig. 8

- (1) Nut
- (2) Angled hose end
- (3) Bracket
- (4) Straight hose end
- (5) Tap
- (6) Solenoid valve: The solenoid valve is at the bottom on the back of the appliance. It has an R3/4 connecting thread.

NOTICE

Risk of damage from incorrect installation!

- ▶ Do not damage or kink the hose.
- ▶ Do not damage or kink the hose during installation in the cabinet recess.

Connecting the hose to the appliance:

- ▶ Position and hold the angled hose end Fig. 8 (2) horizontally on the bracket Fig. 8 (3).
- ▶ Screw on the nut Fig. 8 (1) on by hand until it is firmly in place.
- ▶ The hose is connected to the appliance.

Connecting the hose to the tap:

- ▶ Connect the straight hose end Fig. 8 (4) to the tap Fig. 8 (5).
- ▶ The hose is connected to the tap.

16.2 Checking the water system

Before you completely install the appliance in the cabinet recess, Liebherr recommends checking the water system for leaks.

- ▶ Put in the InfinitySpring water tank. (see 19 Water tank*)
- ▶ Put in the InfinitySpring water filter. (see 20 Water filter*)
- ▶ Slowly turn on the tap.
- ▶ Check the hose, water feed and connections for leaks.
- ▶ The water system has now been checked for leaks.
- ▶ The water system is not leaking: You can install the appliance completely in the cabinet recess.

Note

InfinitySpring: Before the first use, you must put the InfinitySpring into operation. To do this you must bleed and clean the water system. (see Quick Start Guide or operating instructions)*

IceMaker: Before the first use, you must clean the IceMaker. (see Quick Start Guide or operating instructions)*

17 Installing the appliance in the recess

The appliance is installed using the following main steps:

1. Have your tools ready. Fig. 9 ()
2. Check the assembly parts in the accessory kit. Fig. 10 () to Fig. 16 ()
3. Prepare the niche and the appliance.
4. Align the appliance in the recess.
5. Temporarily fasten the knocking sensor.
6. Put in the covers and height adjuster.
7. Fit the unit fronts.
8. Attach the knocking sensor.
9. Fit the covers and rubber gasket.
10. Adjust the knocking sensor's sensitivity.
11. Check the installation.

Tools

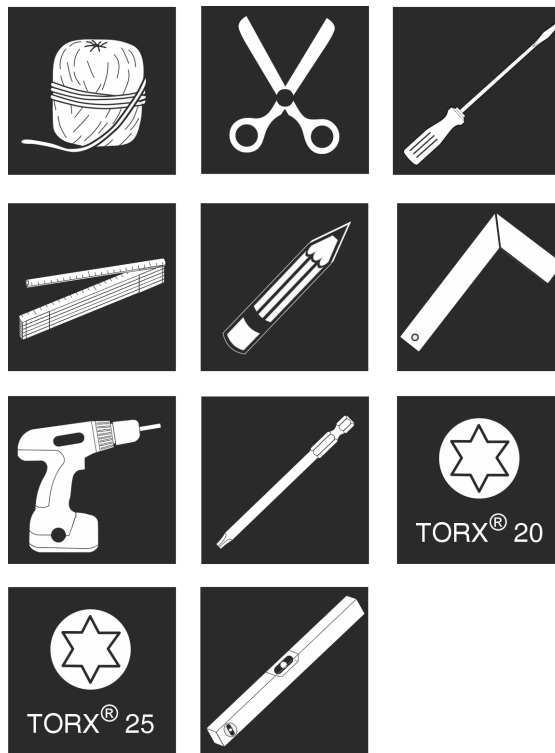


Fig. 9

Assembly parts in the accessory kit Fig. 10 () to Fig. 16 ()

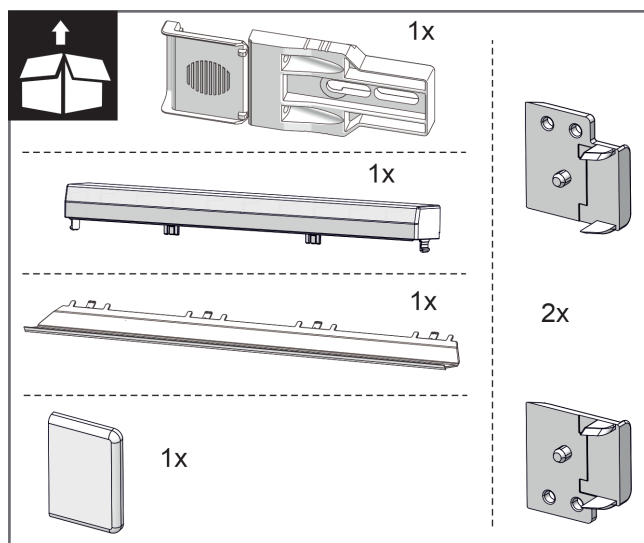


Fig. 10

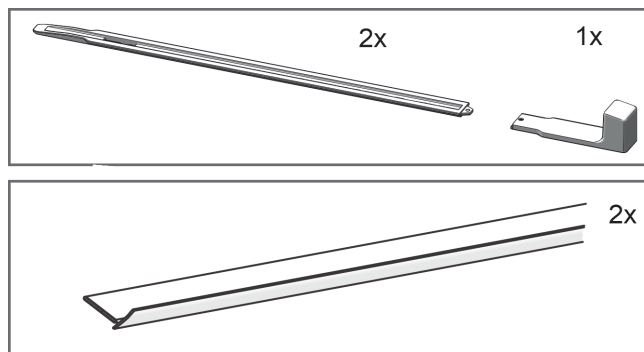


Fig. 11

Installing the appliance in the recess

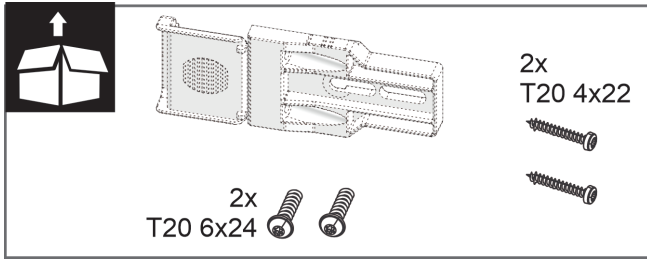


Fig. 12

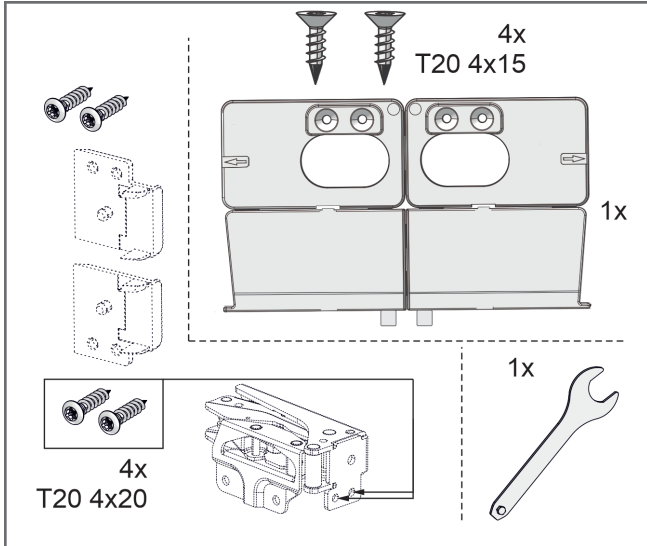


Fig. 13

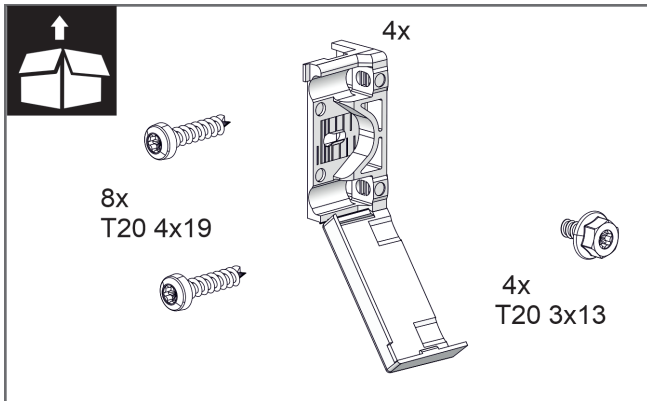


Fig. 14

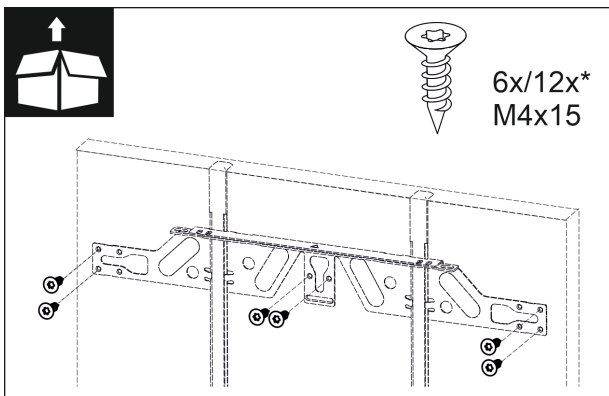


Fig. 15

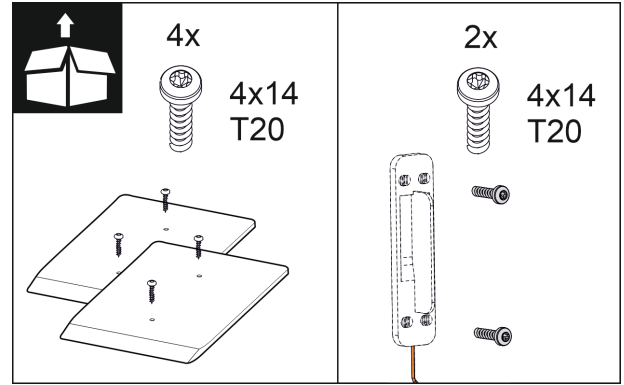


Fig. 16

17.1 Preparing the recess and the appliance

NOTICE

Risk of damage due to the door scraping on the floor!
Damage to the door's drive unit. If the spacer plates have not been installed in the niche, the gap between the door and the floor is insufficient. The door may scrape the floor and therefore damage parts of the drive unit.

► Fit the spacer plates provided onto the floor in the niche.

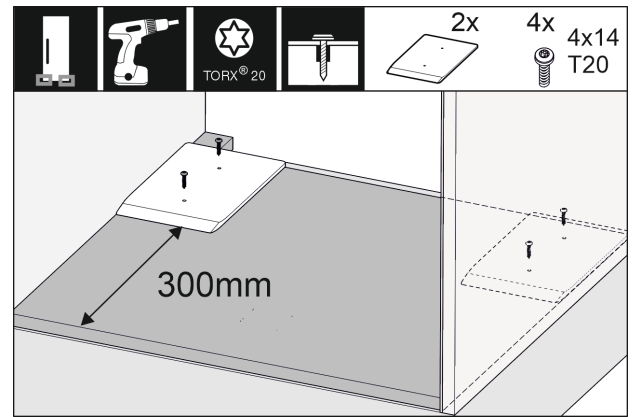


Fig. 17

► Fit the supplied spacer plates in the left and right of the cabinet recess.

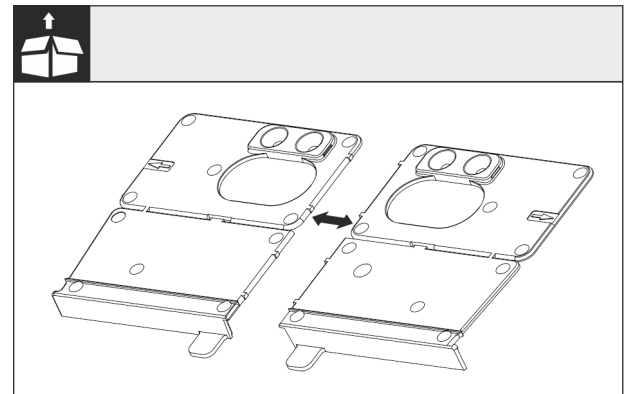


Fig. 18

► Separate the floor mounting bracket at the perforation.

NOTICE

Appliance installation depth.

► Using the mounting bracket ensures the correct installation depth of the appliance.

Installing the appliance in the recess

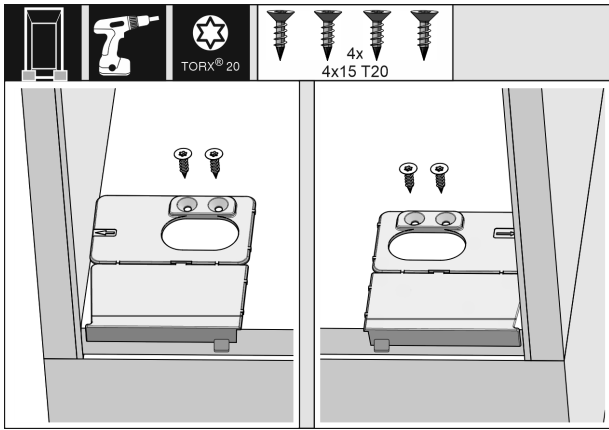


Fig. 19

- Screw the mounting brackets on the left and right of the recess floor, flush to the side wall.

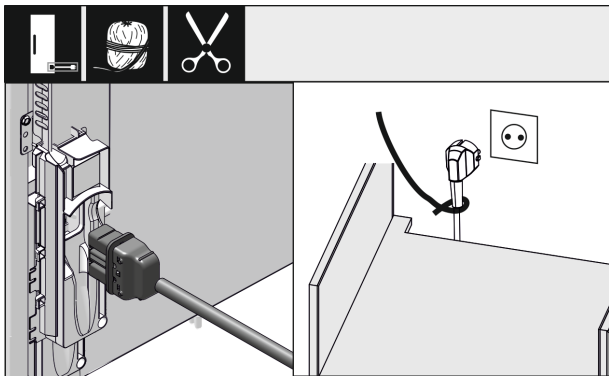


Fig. 20

- Remove the mains cable from the package.
- Plug the mains cable's IEC socket completely into the appliance plug on the back of the appliance. Ensure that the IEC socket is tight.
- Use a cord to lay the mains plug to a freely accessible socket.

NOTICE

Risk of damage due to the door opening automatically!
Damage to the door's drive unit. If the appliance is not yet installed in the kitchen units completely but you already connect it to the power supply, the door may open unexpectedly. If the gap between the door and the ground is too small, the door may scrape the floor and therefore damage parts of the drive unit.

- Only plug the mains plug into the socket once the appliance has been installed correctly.

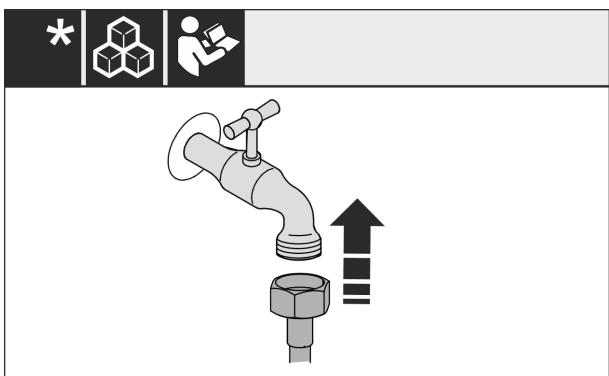


Fig. 21

- If necessary, install the water connection at this point according to the operating instructions.

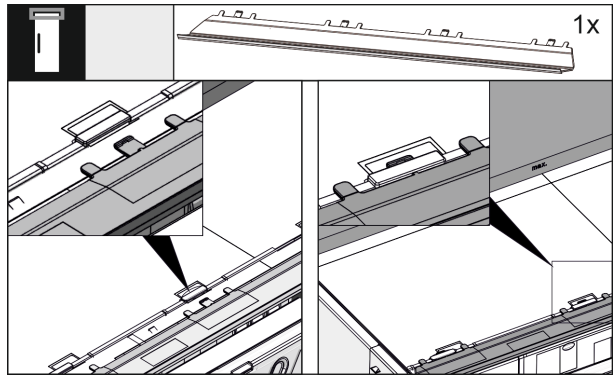


Fig. 22

- Insert the levelling panel on the top of the appliance. The panel can be moved to both sides.

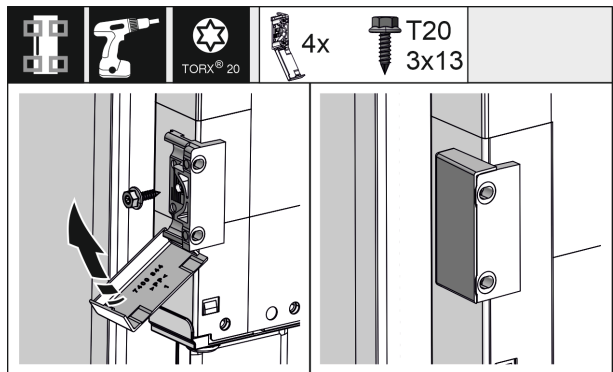


Fig. 23

- For easier assembly, fit the mounting bracket before pushing the appliance into the cabinet recess. For a large door, use four mounting brackets. After assembly, fold the covers onto the bracket.

17.2 Aligning the appliance in the recess

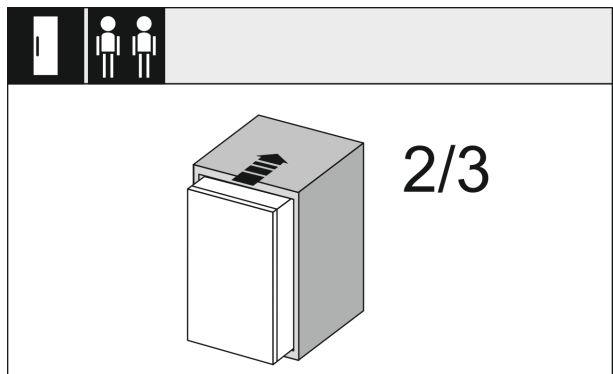


Fig. 24

- Push the appliance 2/3 of the way into the recess.

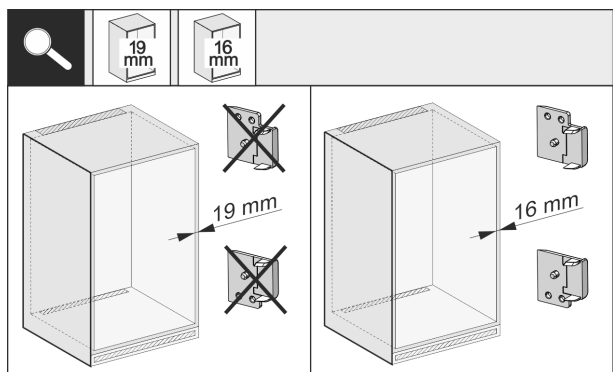


Fig. 25

Installing the appliance in the recess

- ▶ Check whether the unit side wall is 16 mm or 19 mm thick.

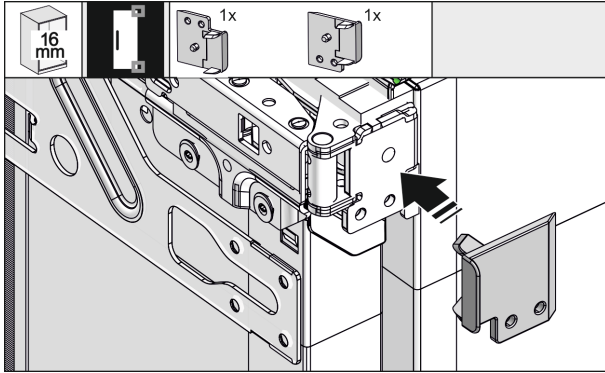


Fig. 26

- ▶ For unit walls which are 16 mm thick: Clip a spacer on all hinges. No spacer is required if unit walls are 19 mm thick.

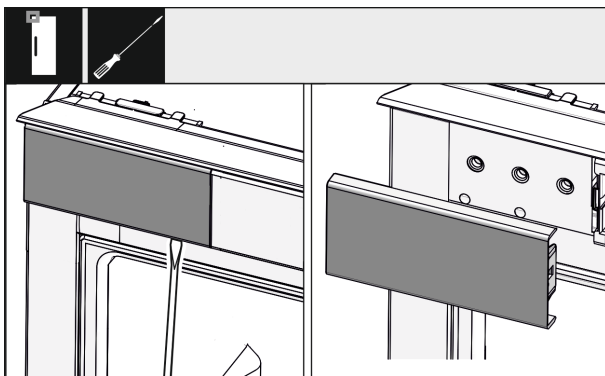


Fig. 27

- ▶ Use a screwdriver to loosen the cover at the top left and remove it.

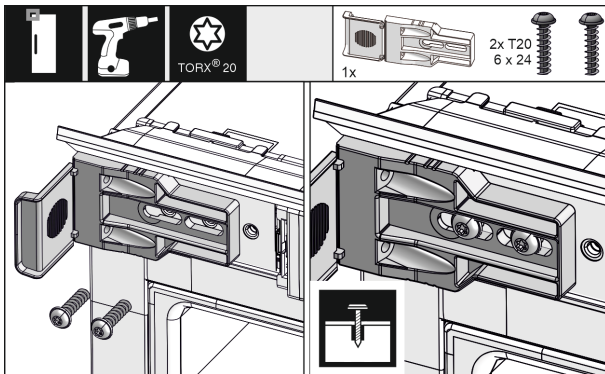


Fig. 28

- ▶ Loosely screw on the mounting bracket. The bracket should still be able to move slightly.

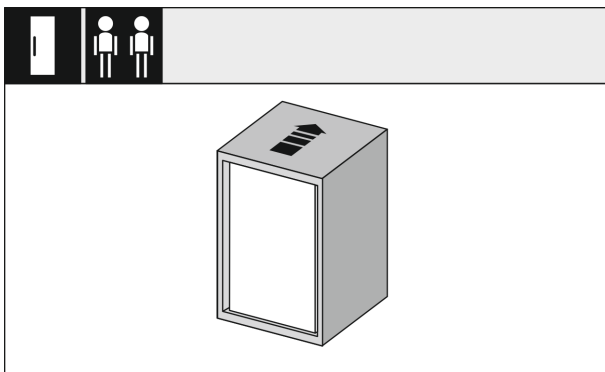


Fig. 29

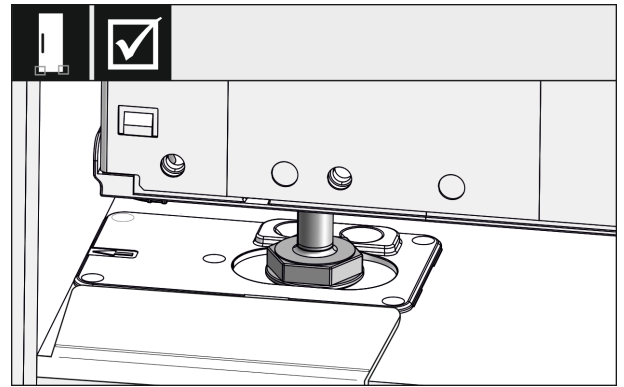


Fig. 30



WARNING

Risk of fire due to short circuit!

- ▶ When you push the appliance into the niche: do not kink, jam or damage the mains cable.
- ▶ The appliance must not be operated with a defective mains cable.

- ▶ Insert the appliance all the way into the unit recess. The adjustable feet must rest in the recesses in the brackets on both sides.

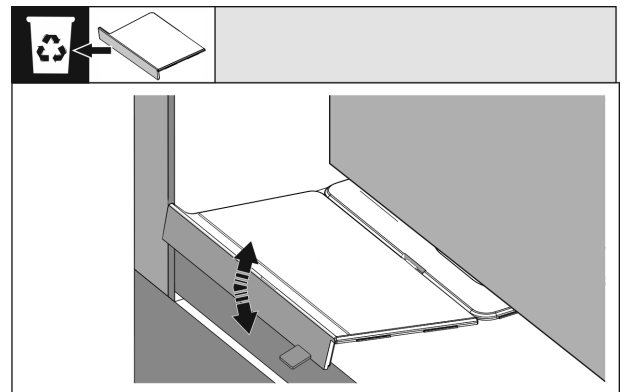


Fig. 31

- ▶ Remove the floor mounting bracket stopper. Loosen the stopper by moving it and, if necessary, pull it off using pliers.

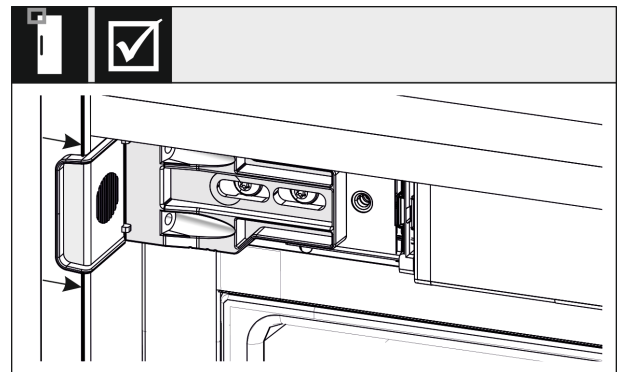


Fig. 32

- ▶ Check that the appliance is flush in the cabinet recess. The mounting bracket must be attached to the side wall of the cabinet recess.

Installing the appliance in the recess

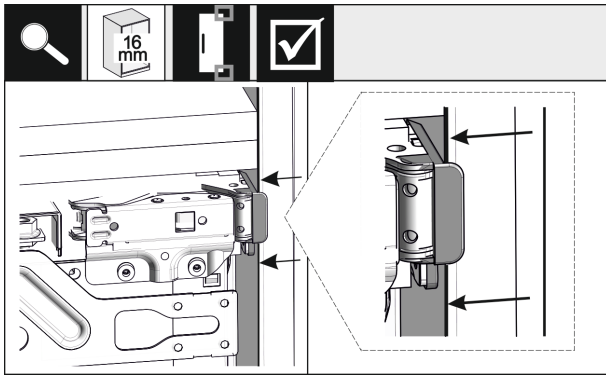


Fig. 33

- For unit side walls which are 16 mm thick, the spacers fit against the unit recess on the hinge side.

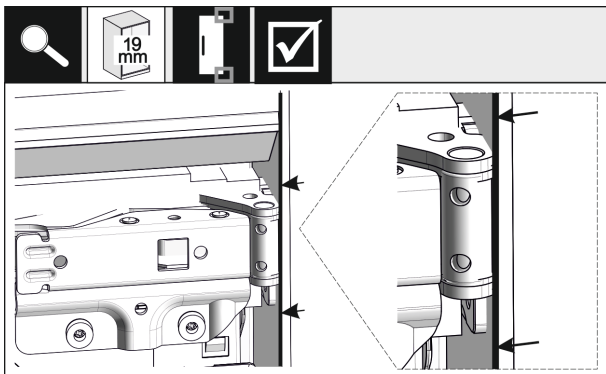


Fig. 34

- For unit side walls which are 19 mm thick, the front sides of the hinges are positioned flush against the front of the unit side wall.

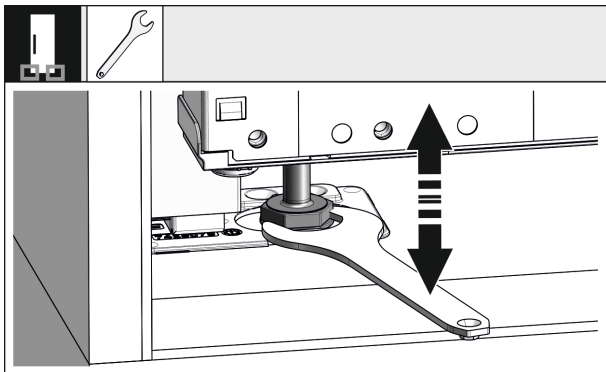


Fig. 35

- If necessary, use the adjustable feet to correct the tilt of the appliance.

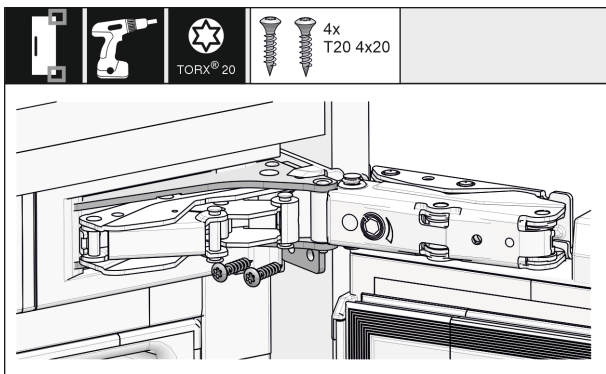


Fig. 36

- Screw on the appliance on the hinge side.

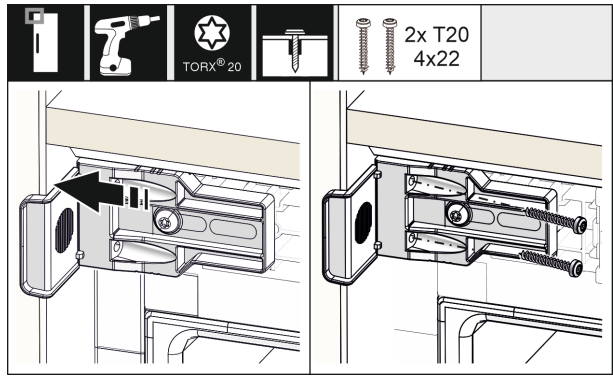


Fig. 37

- Move the bracket so it sits flush on the side wall of the cabinet recess. Tighten all the screws securely.

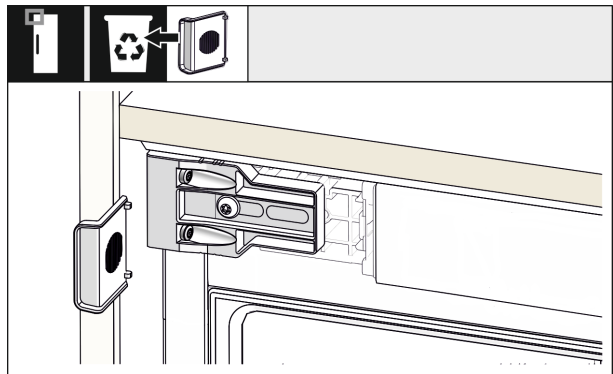


Fig. 38

- Break off the stop from the bracket on the handle side and dispose of it.

17.3 Temporarily fastening the knocking sensor

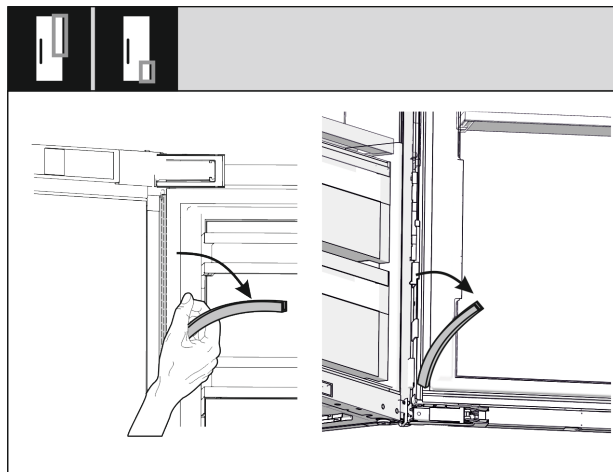


Fig. 39

- Remove the top and bottom cover strips from the cable duct and put to one side. You require the space behind the cover strips to install the knocking sensor and the unit front.

Installing the appliance in the recess

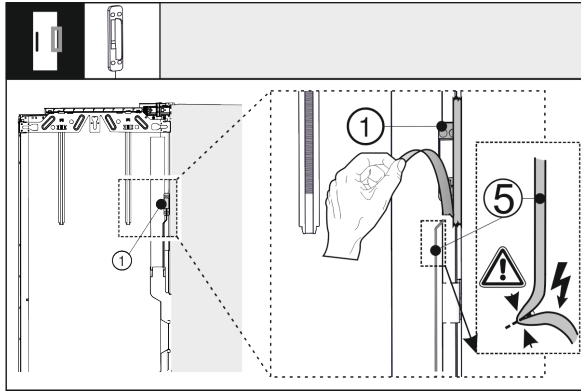


Fig. 40

- ▶ Remove the knocking sensor Fig. 40 (1) from the outer door. Do not damage the connection cable Fig. 40 (5).

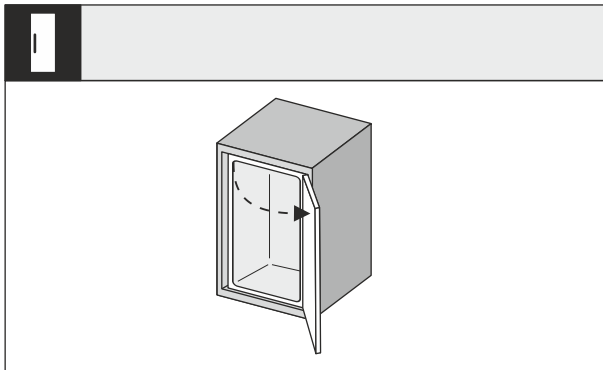


Fig. 41

- ▶ Open the appliance door wide.

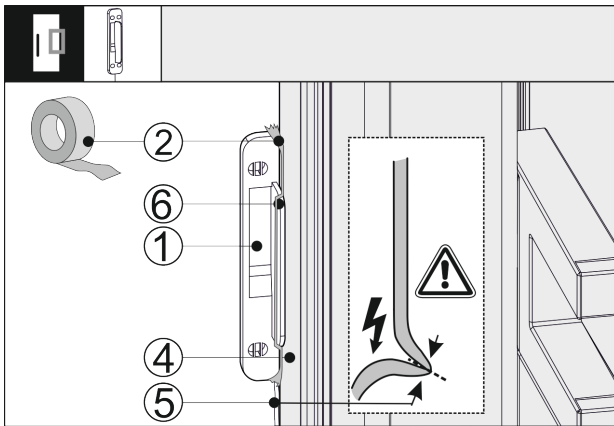


Fig. 42

- ▶ Place the knocking sensor Fig. 42 (1) on the side on the appliance door Fig. 42 (4) so that the limit stop Fig. 42 (6) is touching the appliance door Fig. 42 (4). The sensor cable Fig. 42 (5) is tensioned slightly and is also touching the appliance door Fig. 42 (4).
- ▶ Attach the knocking sensor Fig. 42 (1) with adhesive tape Fig. 42 (2). The knocking sensor is screwed to the unit front at a later point.

17.4 Inserting the covers and height adjuster

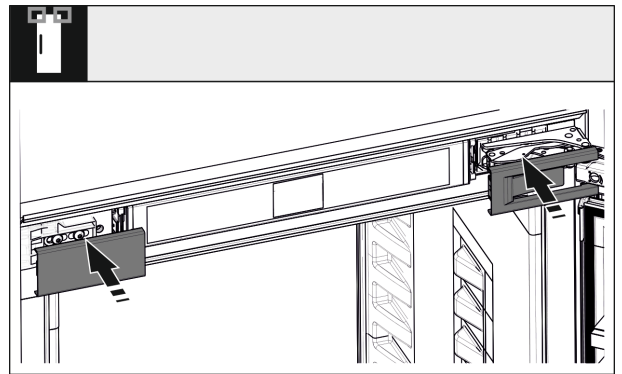


Fig. 43

- ▶ Put on the covers.

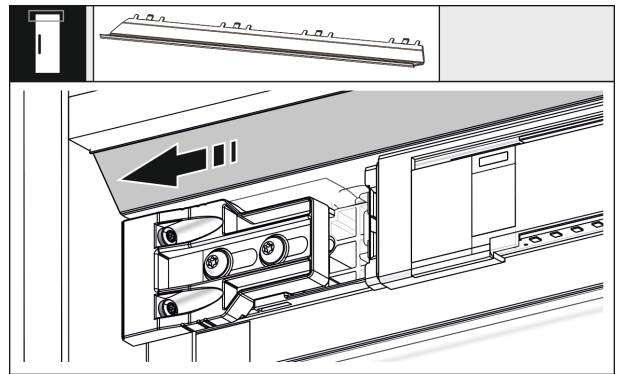


Fig. 44

- ▶ Slide the panel so that it sits flush with the side of the cabinet wall.

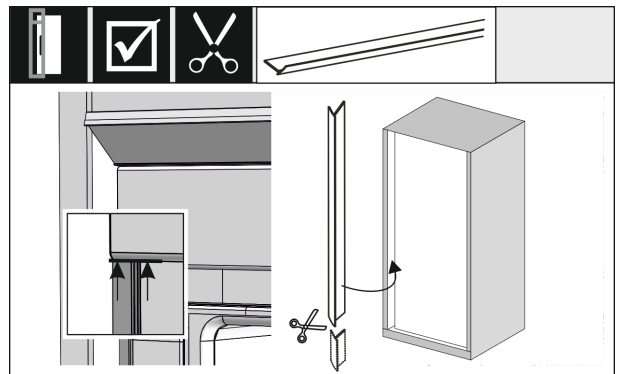


Fig. 45

- ▶ The sealing strip is magnetic. Position the sealing strip below the top cover and press it in. If necessary, shorten the sealing strip to the required length with a sharp pair of scissors.

From a niche height of 1400 mm, install levelling rails:

Installing the appliance in the recess



Fig. 46

You must installed levelling rails under the appliance from a niche height of 1400 mm. The levelling rails **reduce the noise level**. Two levelling rails and an installation handle are enclosed as standard from a niche height of 1400 mm.

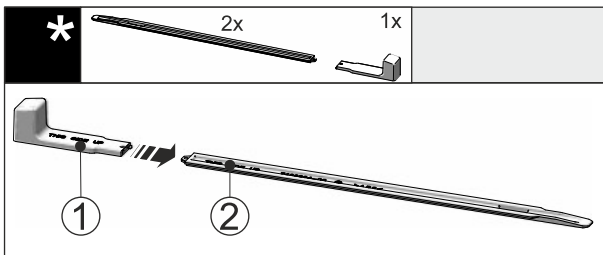


Fig. 47

▶ Attach the installation handle Fig. 47 [1] to the levelling rail Fig. 47 [2].

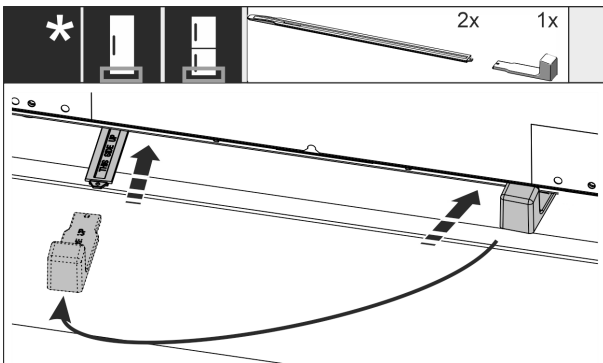


Fig. 48

- ▶ Push the levelling rail into the guide under the appliance base until it reaches the stop.
- ▶ Remove the installation handle and attach it to the second levelling rail.
- ▶ Proceed in the same way for the second levelling rail.

17.5 Mounting the front of the cabinet

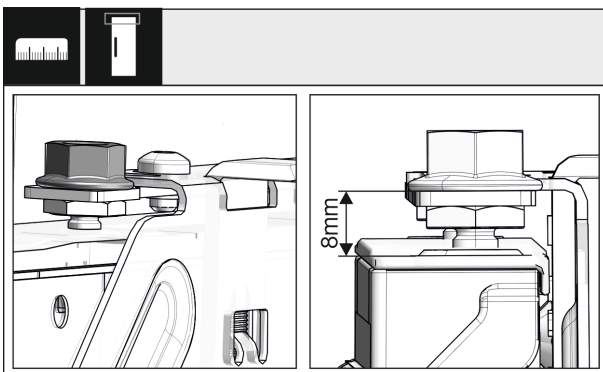


Fig. 49

- ▶ Close the door and check the preset of 8 mm from the upper edge of the appliance door to the crosspiece support

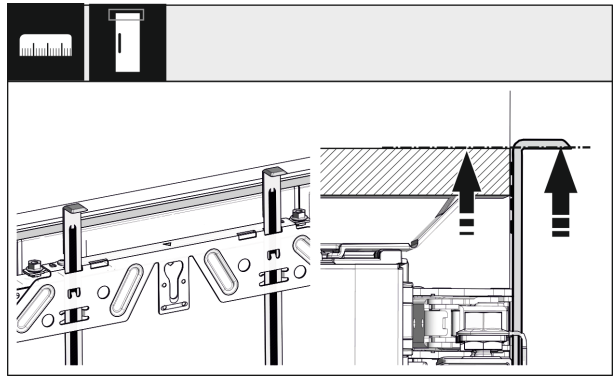


Fig. 50

- ▶ Push the fitting aids to the height of the custom door panel. The bottom of the fitting aid must be level with the top of the custom door panel to be mounted.

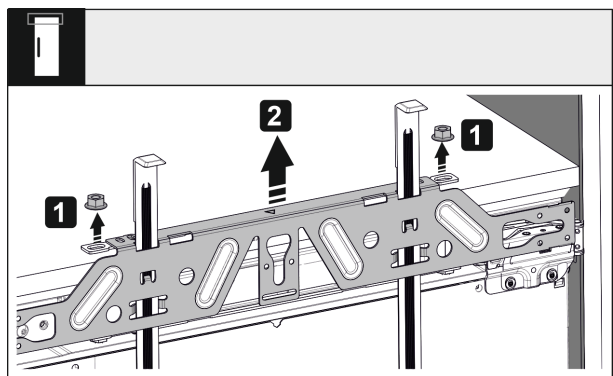


Fig. 51

- ▶ Loosen the counter nut and remove the crosspiece.

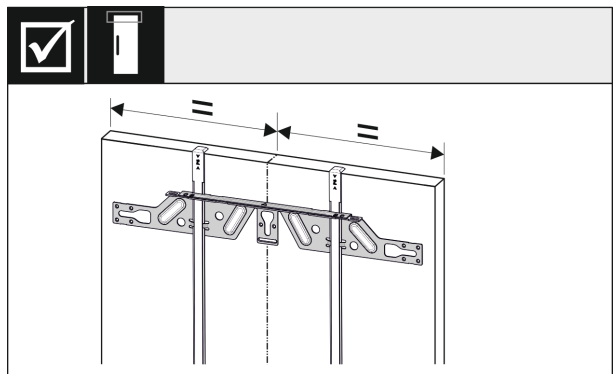


Fig. 52

- ▶ Hang the crosspiece on the inside of the custom door panel and make sure it is central.

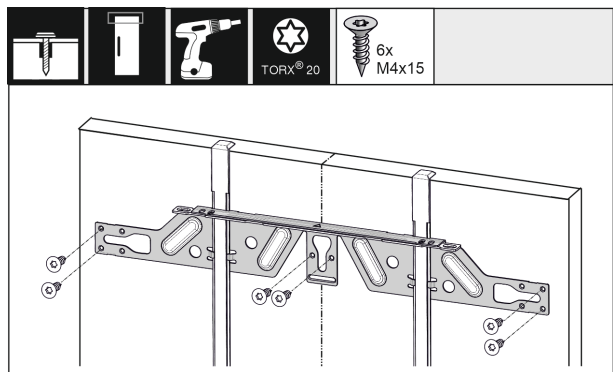


Fig. 53

Installing the appliance in the recess

- Fix the crosspiece using at least 6 screws for chipboard doors and at least 4 screws for panel doors.

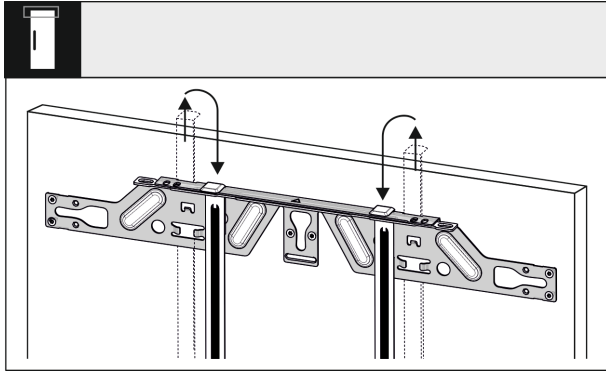


Fig. 54

- Pull out the fitting aids, turn them round and put them in the adjacent opening.

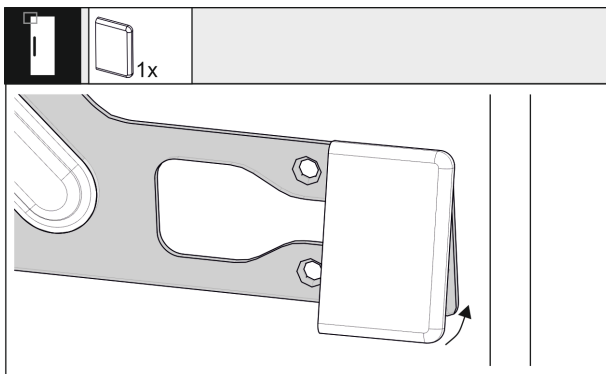


Fig. 55

- Clip the cover on the crosspiece on the handle side.

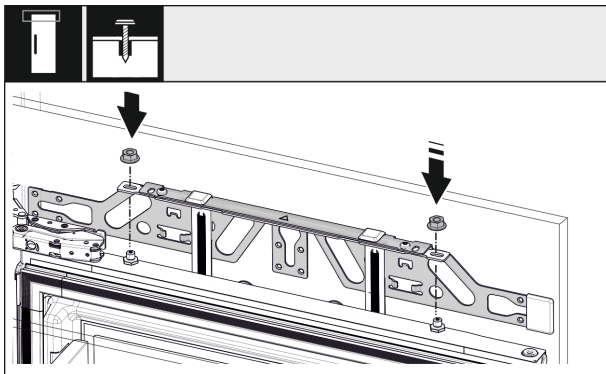


Fig. 56

- Attach the custom panel and loosely screw the lock nuts onto the adjusting bolts.

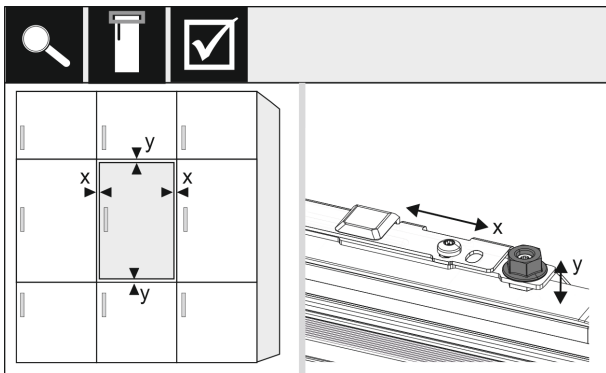


Fig. 57

- Align the custom panel in the X and Y direction using the adjusting bolts.

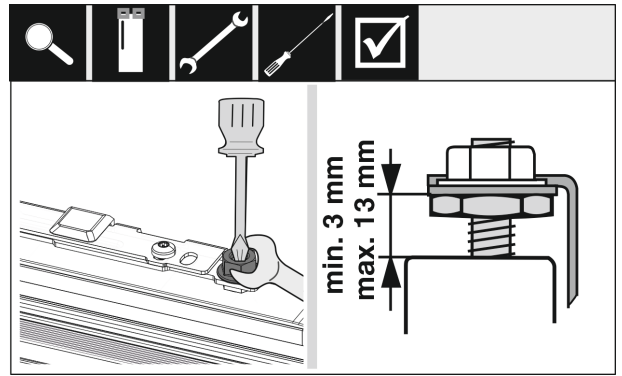


Fig. 58

- Screw on the lock nuts and check the height.

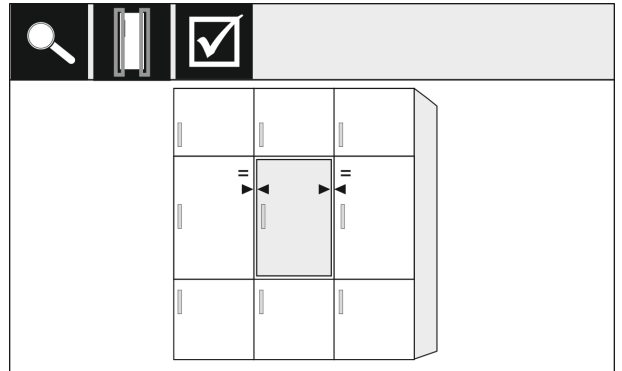


Fig. 59

- Check the gap between the door and the surrounding custom door panels. For unit fronts thicker than 19 mm, take account of the dimensions and advice in the chapter **Unit fronts**.

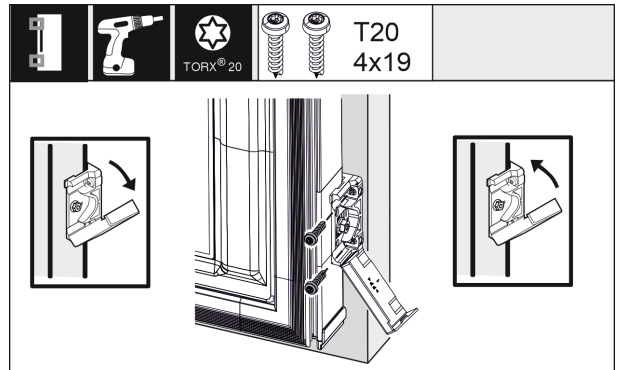


Fig. 60

- Open the cover to fit the mounting bracket on the custom door panel. Align the front edge of the mounting bracket parallel with the custom door panel edge and screw the bracket down tightly. Fold up the cover.

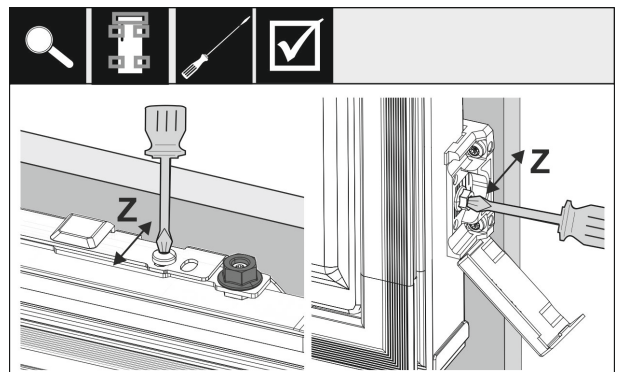


Fig. 61

Installing the appliance in the recess

Align the custom panel in the Z direction:

- ▶ Loosen the adjusting screw on the crosspiece and the screw on the mounting bracket.
- ▶ Move the door.

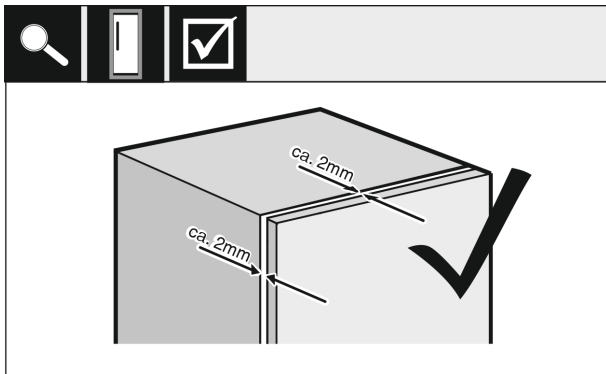


Fig. 62

- ▶ Check the gap between the custom door panel and the unit body.
- ▶ Check all screws and retighten them if necessary.

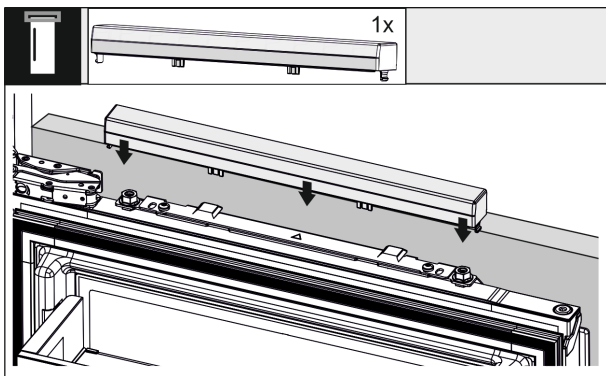


Fig. 63

- ▶ Clip the top cover on.

17.6 Fastening the knocking sensor

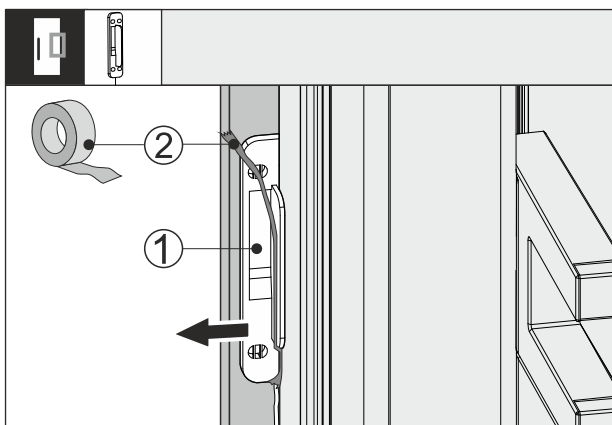


Fig. 64

- ▶ Remove the adhesive tape Fig. 64 (2) from the knocking sensor Fig. 64 (1).
- ▶ Pull the knocking sensor out carefully from between the unit front and the appliance door.

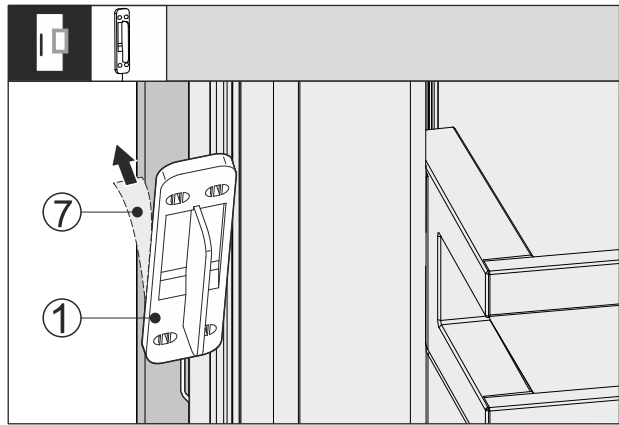


Fig. 65

- ▶ Remove the protective film Fig. 65 (7) on the back of the knocking sensor Fig. 65 (1).

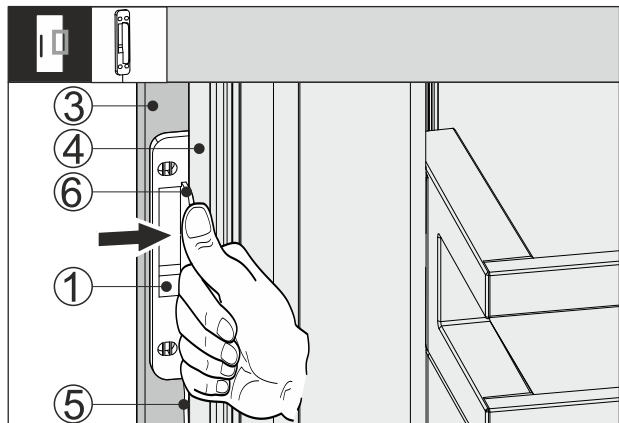


Fig. 66

- ▶ Push the knocking sensor Fig. 66 (1) between the unit front Fig. 66 (3) and the appliance door Fig. 66 (4) so that the cable Fig. 66 (5) is tensioned slightly. The knocking sensor's limit stop Fig. 66 (6) is touching the appliance door Fig. 66 (4).
- ▶ Press the knocking sensor Fig. 66 (1) to the unit front Fig. 66 (3).
- ▶ The knocking sensor Fig. 66 (1) is glued on. Gluing the knocking sensor on optimises transmission of the knocking signal.

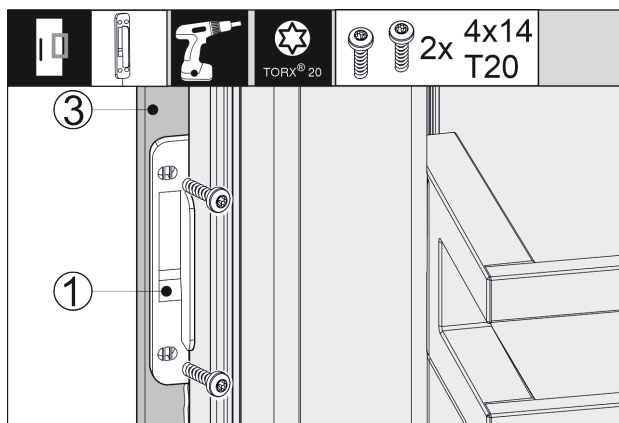


Fig. 67

Attaching the knocking sensor Fig. 66 (1) permanently extends the service life.

- ▶ Use the enclosed screws to screw the knocking sensor Fig. 66 (1) onto the unit front Fig. 66 (3).
- ▶ The knocking sensor is screwed on.

Cabinet fronts

17.7 Fitting the covers and rubber gasket

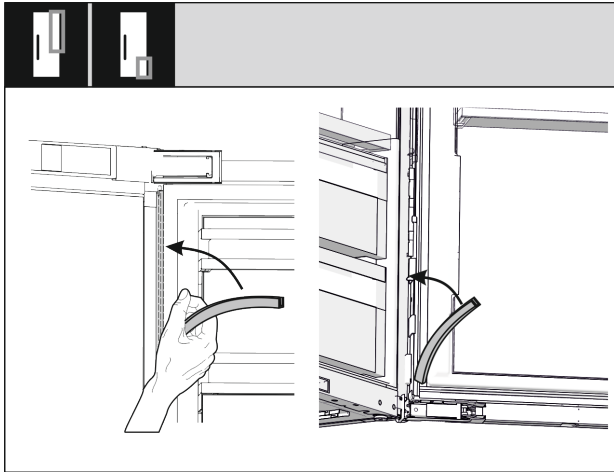


Fig. 68

- ▶ Place the long cover on the top hinge side and press it on.
- ▶ Place the short cover on the bottom hinge side and press it on.

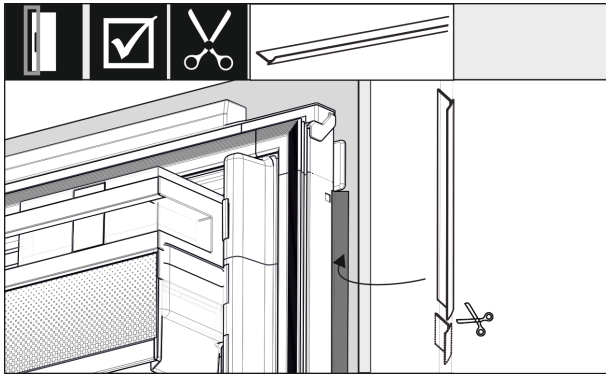


Fig. 69

- ▶ Adjust the rubber gasket, cut to size and insert between the unit front door and the appliance door.

17.8 Setting the sensitivity of the knocking sensor

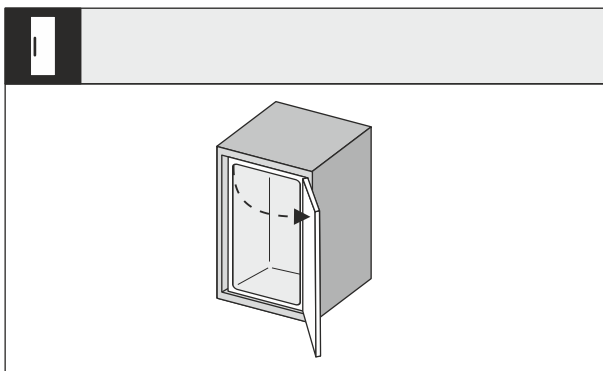


Fig. 70

- ▶ Open the appliance door wide.

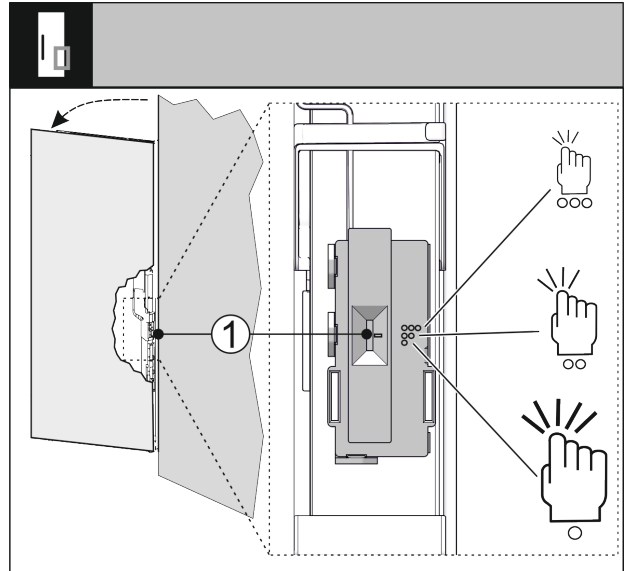


Fig. 71

You can use a switch Fig. 71 (1) to adjust the sensitivity of the knocking sensor. The switch is on the bottom third of the door on the hinge side.

| Switch position | Symbol | Importance |
|-----------------|--------|--|
| Top | ○○○ | High sensitivity, gentle knocking sufficient. |
| Middle | ○○ | Moderate sensitivity, normal knocking required. This setting is the default. |
| Bottom | ○ | Less sensitive, strong knocking required. |

- ▶ Move the switch Fig. 71 (1) to the required switch position.

17.9 Checking the installation

- ▶ Check the following points to ensure that the appliance is installed correctly. Otherwise, icing, condensation formation and malfunctions may occur.
 - ▷ The door must close properly.
 - ▷ The custom door panel must not touch the body of the unit.
 - ▷ The seal on the upper corner on the handle side must be fitted securely.
 - ▷ The spacer plates have been screwed into the niche.

18 Cabinet fronts

18.1 Dimensions

Depending on your model, you will need one or two cabinet doors. The size of the cabinet door(s) depends on the overall recess size and cabinet unit thickness.

Note

Observe the corresponding appliance and niche dimensions, and installation sketches.

General requirements:

- Please note our appliance-specific recommendations on size and weight for fixed door installation. (see 6 Custom panel weights)
- The body of the unit should be at least 16 mm thick but not more than 19 mm.

Other cabinet door above, below or next to it:

- The vertical gap between custom panels must be 4 mm.
- The horizontal gap between custom panels must be 4 mm. Check the risk of them clashing here. (see 18.3 Setting the clearance to avoid collision)

Weight and hinges:

- With heavy furniture fronts, the stress on the hinge is very high. The hinge may be damaged. Please note the maximum weight specification for your appliance in the chapter Furniture front weights (see 6 Custom panel weights).
- If the cabinet front exceeds the maximum permitted weight, an appliance with door-tracking device can help by loading the weight over several concealed hinges on the cabinet.
- If you use long unit fronts that protrude far above the appliances, we recommend an additional door hinge (e.g. Kamat), which must have the same pivot point as the fixed door hinge used with your appliance. By using another hinge (Kamat), the weight is shared over several points. The use of a milled compensating fastening is recommended for high unit fronts to counteract warping (convex/concave).

18.2 Mounting the cabinet front(s)

When installing, note:

- Cabinet front must be installed symmetrically to the refrigerator door.
- Adjoining cabinet front is exactly level.
- Adjoining cabinet front has the same edge radius as the front of the appliance.
- Cabinet front is flat and tension-free.
- The front panel has a minimum depth setting of approx. 2 mm to the body.
- ▶ Install the appliance in the recess.
- ▶ Fasten the front panel to the appliance door.
- ▶ Check that the front panel can close unobstructed. (see 18.3 Setting the clearance to avoid collision)

18.3 Setting the clearance to avoid collision

After installing the cabinet front(s), check that the cabinet fronts do not collide.

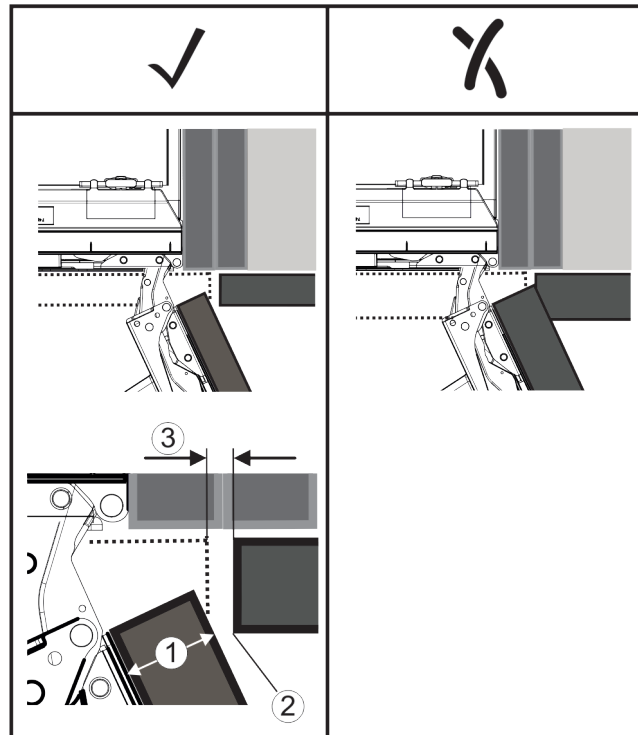


Fig. 72

- (1) Front thickness (FD) (3) Clearance (S)
(2) Edge radius (R)

| FD(1) (mm) | R (2) = 0 mm | | R = 1,2 mm | | R = 2 mm | | R = 3 mm | |
|------------|------------------|------------------|------------------|------------------|------------------|------------------|------------------|------------------|
| | G _{min} | G _{max} | G _{min} | G _{max} | G _{min} | G _{max} | G _{min} | G _{max} |
| 16 | 0,3 | 0,9 | 0,1 | 0,4 | 0,1 | 0,2 | 0,1 | 0,2 |
| 19 | 0,7 | 2,4 | 0,3 | 1,9 | 0,5 | 2,3 | 0,1 | 0,8 |
| 20 | 2 | 4,3 | 1,5 | 3,6 | 1 | 3,1 | 0,6 | 2,7 |
| 22 | 3,5 | 6,3 | 3 | 5,6 | 2,6 | 5,3 | 2,1 | 4,6 |
| 24 | 5,5 | 8,3 | 5 | 7,8 | 4,5 | 7,4 | 4 | 6,9 |
| 26 | 7,6 | 10,7 | 7 | 10,3 | 6,6 | 9,9 | 6,2 | 9,4 |

Fig. 73 Table of clearance limits

G_{min} = min. clearance in mm

G_{max} = max. clearance in mm

Note

When making adjustments, always make sure that the cabinet front suits the general appearance.

Check the collision factors and adjust them accordingly:

- ▶ Determine the front thickness and edge radius.
- ▶ Refer to the table for the min./max. clearance dimensions.
- ▶ Check the clearance size against the table.
- ▶ Do one of the following depending on the measured clearance size.

| Clearance | Description |
|-------------------------------|---|
| $S > G_{max}$ | If the clearance size is greater than the two limits, you do not need to make any adjustments. |
| $S < G_{min}$ | If the clearance size is below the limits, you must increase it. Another option is to increase the edge radius. |
| $G_{min} \leq S \leq G_{max}$ | If the clearance is between the two limits, you have to be careful. This will quickly lead to collisions. |

Water tank*

19 Water tank*

The water tank of the InfinitySpring is located behind the bottom drawer in the fridge section or BioFresh compartment, depending on the device.*

19.1 Inserting the water tank

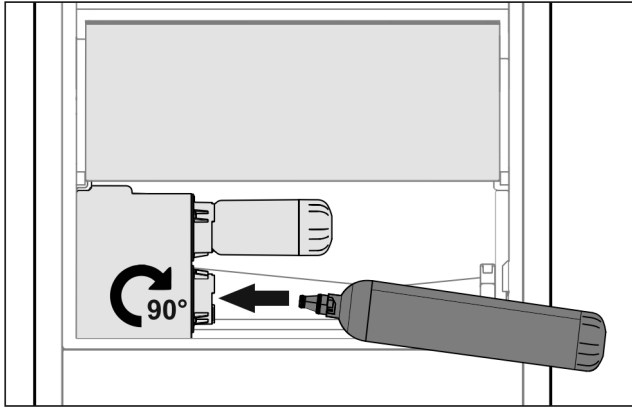


Fig. 74

- ▶ Remove the drawer compartment.
- ▶ Insert the water tank and rotate approx. 90° clockwise until it clicks in.
- ▶ Check that the tank is sealed and no water leaks out.
- ▶ Insert the drawer compartment.
- ▶ Bleed the water system. (see Quick Start Guide or operating instructions)

Instead of the water filter you can insert an additional water tank.*

Note

You can purchase this water tank as an optional extra.

20 Water filter*

Depending on your model, the water filter is behind the lowest drawer in the fridge or BioFresh compartment.*

It filters out deposits in the water and reduces the taste of chlorine.

- ❑ Replace the water filter at least every 6 months, or if there is a significant reduction in the flow rate.
- ❑ The water filter contains carbon and can be disposed of with the regular household waste.

Note

Water filters are available from the Liebherr-Hausgeräte store at home.liebherr.com/shop/de/deu/zubehor.html.

20.1 Inserting the water filter

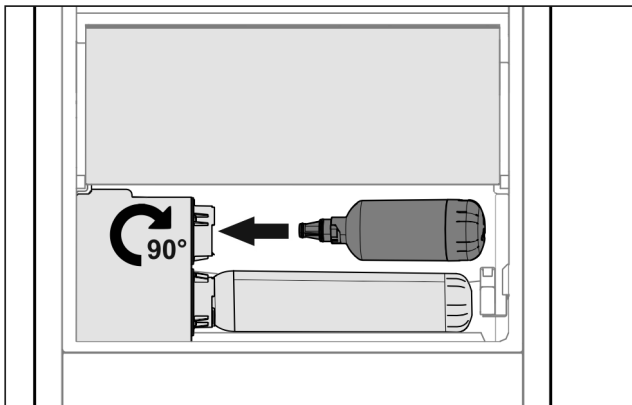


Fig. 75

- ▶ Remove the drawer compartment.
- ▶ Insert the water filter and rotate approx. 90° clockwise until it clicks in.
- ▶ Check that the filter is sealed and no water leaks out.
- ▶ Insert the drawer compartment.

Note

New water filters may contain suspended particles.*

- ▶ After replacing the filter: Draw and dispose of 3 l water at the InfinitySpring.

▶ The water filter is now ready for use.

21 Connecting the appliance to the power supply



WARNING

Danger of electric shock and injury due to damaged appliance or damaged mains cable!

Danger of cuts and fatal injuries. If the appliance or the mains cable is damaged during transport, you may be electrocuted. You could also cut yourself on damaged parts of the appliance housing.

- ▶ Check the appliance and the mains cable for damage after transport.
- ▶ Never put the appliance into operation if the appliance or the mains cable are damaged.
- ▶ Contact Customer Service.

You can connect your appliance to the mains using the power cable supplied separately. The mains power cable has an appliance coupler at one end and a mains plug at the other end.

Make sure that the following requirements are fulfilled:

- The appliance and power cable are undamaged.
- The appliance is installed in accordance with the regulations. (see 17 Installing the appliance in the recess)
- Requirements for the electrical connection are met. (see 2 Installation requirements)
- Dimensions for connection in accordance with regulations are known and observed.
- Mains voltage and frequency correspond to the specifications on the type plate.
- The socket is earthed according to the regulations and fused.
- The fuse tripping current is between 10 A and 16 A.
- The socket is easily accessible and is not behind the appliance. (see 4 Recess dimensions)

NOTICE

Danger of damage to incorrect operation!

Damage to the electrical components of the appliance.

- ▶ Only use the supplied mains cable.

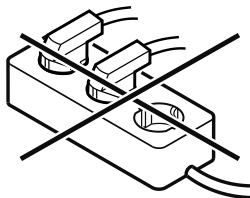


WARNING

Danger of fire due to incorrect connection!
Burns.

Damage to the appliance.

- ▶ Do not use an extension cable.
- ▶ Do not use distributor blocks.



NOTICE

Danger of damage to incorrect connection!

Damage to the appliance.

▶ Do not connect the appliance to a stand-alone inverter, e.g. solar power systems and petrol generators.

-
- ▶ Connect the mains cable plug to the power supply. Ensure that the plug is tightly in the socket.
 - ▶ The Liebherr logo appears in the display.
 - ▶ The display switches to the standby symbol.
 - ▶ If no action occurs within 60 seconds: The standby symbol fades or disappears.
 - ▶ The appliance is connected. For information regarding first use, see the following section or the operating instructions.



home.liebherr.com/fridge-manuals

EN built-in fridges and freezers, fixed door

Issue date: 20260107

Part number index: 7088422-00

Liebherr-Hausgeräte GmbH
Memminger Straße 77-79
88416 Ochsenhausen
Deutschland