



Installation Guide

Quality, Design and Innovation



home.liebherr.com/fridge-manuals




LIEBHERR


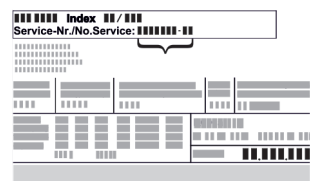




General safety instructions

Contents

1	General safety instructions.....	2
2	Installation requirements.....	3
2.1	Installation site.....	3
2.2	Position in space.....	3
2.3	Integration into a kitchen unit.....	3
3	Dimensions.....	4
4	Ventilation requirements.....	5
5	Connection dimensions for the power supply.....	5
6	Water connection*.....	5
6.1	Dimensions for the water connection.....	5
6.2	Water pressure.....	6
7	Transporting the appliance.....	6
7.1	Transporting the appliance for initial use.....	6
7.2	Transporting the appliance after initial use.....	6
8	Unpacking the appliance.....	6
9	Mounting wall spacers*.....	6
10	Setting up the appliance.....	6
11	Setting up the appliance so that it is level.....	7
12	After setting up.....	7
13	Integrating the appliance into a kitchen niche....	7
14	Disposing of packaging.....	8
15	Aligning the door and telescopic unit.....	8
15.1	Aligning the fridge section door.....	8
15.2	Aligning the freezer section door.....	9
15.3	Aligning the telescopic unit.....	9
16	Connecting the appliance to the water supply*..	10
16.1	Connecting the hose.....	10
16.2	Checking the water system.....	10
17	Water tank*.....	11
17.1	Inserting the water tank.....	11
18	Water filter*.....	11
18.1	Inserting the water filter.....	11
19	Connecting the appliance to the power supply....	11

The manufacturer is continually working on the further development of all types and models. Please be aware that we reserve the right to make changes to the shape, equipment and technology.

Symbol	Explanation
	Read instructions Please read the information in these instructions carefully to understand all of the benefits of your new appliance.

Symbol	Explanation
	Additional information on the Internet The digital manual with additional information and in other languages can be found via the QR code on the front of the manual or by entering the service number at home.liebherr.com/fridge-manuals . The service number can be found on the serial tag:  <i>Fig. Example illustration</i>
	Check appliance Check all parts for transport damage. If you have any complaints, please contact your agent or customer service.
	Differences These instructions apply to a range of models, so differences are possible. Sections that apply to certain models only are marked with an asterisk (*).
	Instructions and results Instructions are marked with a ►. Results are marked with a ▷.
	Videos Videos about the appliances are available on the YouTube channels of Liebherr-Hausgeräte.

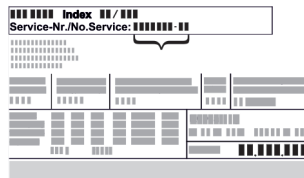
Open source licences:

The appliance contains software components that use open source licences. Information on the open source licences used can be found here: home.liebherr.com/open-source-licences

1 General safety instructions

- Please keep this assembly manual in a safe place so you can refer back to it at any time.
- If you pass the appliance on, please hand this assembly manual to the next user.
- Read this assembly manual carefully before installation and use to ensure safe and correct use of the appliance. Follow the instructions, safety instructions and warning messages included at all times. They are important for ensuring you can operate and install the appliance safely and without any problems.
- First read the general safety instructions in the “General safety instructions” section of the **operating instructions**, which accompany these installation instructions, and follow them. If you cannot find the **operating instructions**, you can download the **operating instructions** from the internet by entering the service number at home.liebherr.com/fridge-manuals.

The service number can be found on the serial tag:



- Observe the warning messages and other detailed information in the other sections when installing the appliance:

	DANGER	identifies a situation involving direct danger which, if not obviated, may result in death or severe bodily injury.
	WARNING	identifies a dangerous situation which, if not obviated, may result in death or severe bodily injury.
	CAUTION	identifies a dangerous situation which, if not obviated, may result in minor or medium bodily injury.
	NOTICE	identifies a dangerous situation which, if not obviated, may result in damage to property.
	Note	identifies useful instructions and tips.

2 Installation requirements

The installation conditions are crucial to ensure that you can operate your appliance safely, efficiently and without problems.

- Observe all safety instructions.
- Consider the location and position in the room.

WARNING

Danger of fire due to incorrect positioning!
If the mains cable or plug touches the back of the appliance, the vibration can damage the mains cable or the plug resulting in a short circuit.

- ▶ Make sure the mains cable is not trapped under the appliance when you position the appliance.
- ▶ Stand the appliance so that it is not touched by connectors or main cables.
- ▶ Do not connect any appliances to sockets in the area of the back of the appliance.
- ▶ Do **not** place and operate multi-sockets/power distributors and other electronic devices (such as halogen transformers) at the back of the appliances.

WARNING

Fire hazard due to dampness!
If live parts or the mains lead become damp this may cause short circuits.

- ▶ The appliance is designed for use in enclosed areas. Do not operate the appliance outdoors or in areas where it is exposed to splash water or damp conditions.

WARNING

Leaking coolant and oil!
Fire. The coolant contained in the appliance is eco-friendly, but also flammable. The oil contained in the appliance is flammable. Escaping coolant and oil can ignite if the concentration is high enough and in contact with an external heat source.

- ▶ Do not damage the pipelines of the coolant circuit and the compressor.

2.1 Installation site

- Only set up and use the appliance in enclosed spaces.
- A dry and well-ventilated room is an optimum installation location.
- If the appliance is installed in a very damp environment, condensation may form on the appliance exterior. Always make sure there is good ventilation and aeration at the installation site.
- The more refrigerant there is in the appliance, the larger than room must be in which it is located. In rooms that are too small, a leak can produce a flammable gas/air mixture. For every 8 g of refrigerant, the installation room must be at least 1 m³ in size. Information on the refrigerant contained is given on the type plate inside the appliance.
- The floor on which the appliance stands must be horizontal and level.

2.2 Position in space

- Do not place the appliance in direct sunlight or near radiators or similar sources of heat.
- You can place the appliance directly next to an oven.
- If the appliance is placed directly next to an oven, the energy consumption may increase slightly. This is dependent on the service life and usage intensity of the oven.
- Always position the appliance with the rear directly against the wall, or with wall spacer brackets attached (see below) then with these directly against the wall.*
- Always position the appliance with the rear directly on the wall.*
- Use in hazardous areas is not permitted.

2.3 Integration into a kitchen unit

- You can convert the appliance with kitchen cabinets. (see 13 Integrating the appliance into a kitchen niche)

Dimensions

3 Dimensions

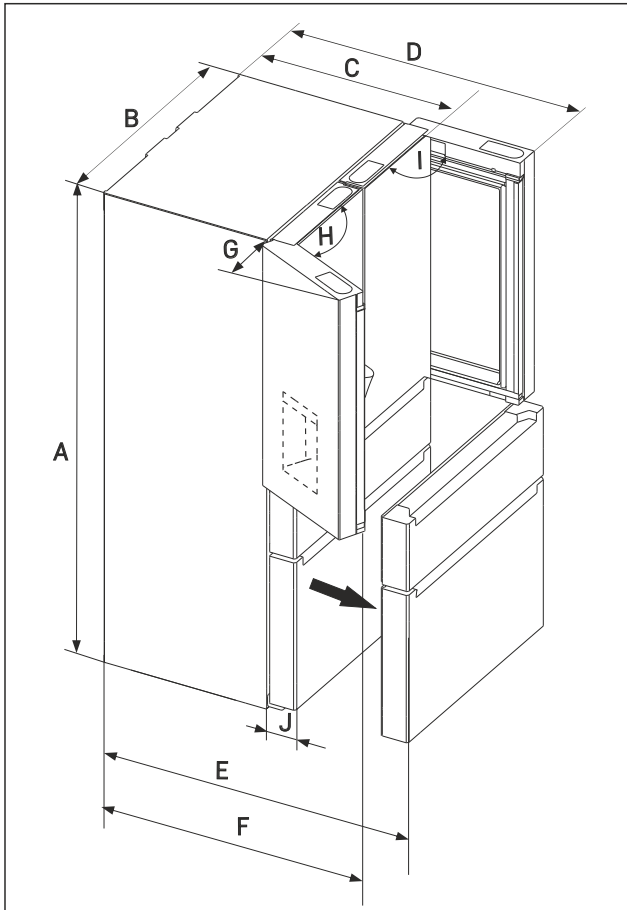


Fig. 1 Appliance with two pull-out telescopic drawers in the freezer section

- (A) Appliance height
- (B) Appliance width
- (C) Appliance depth
- (D) Appliance depth with door open 90°
- (E) Appliance depth with telescopic unit open
- (F) Appliance depth with door open 115°
- (G) Door clearance
- (H) Door opening angle
- (I) Door opening angle
- (J) Front thickness

M.. 95.. / MB.. 95..	
A (mm)	1805
B (mm)	906
C^x (mm)*	745
D^x (mm)*	1109
E^x (mm)*	1175
F^x (mm)*	1086
G (mm)	221
H	115°
I	90°
J (mm)	110

**This dimension increases by 15 mm when using wall spacer brackets. (see 9 Mounting wall spacers*)*

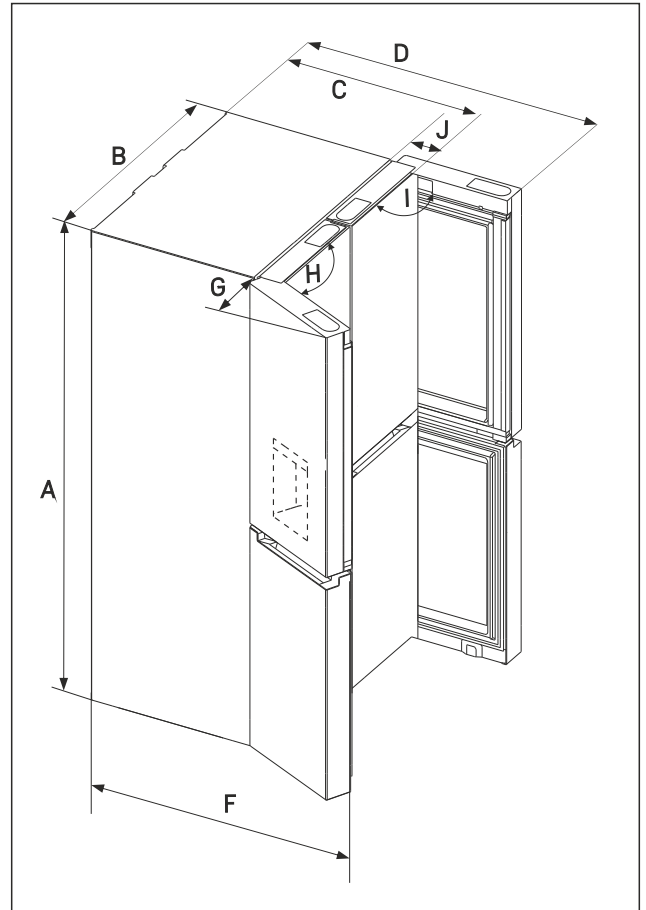


Fig. 2 Appliance with two-door freezer section

- (A) Appliance height
- (B) Appliance width
- (C) Appliance depth
- (D) Appliance depth with door open 90°
- (F) Appliance depth with door open 115°
- (G) Door clearance
- (H) Door opening angle
- (I) Door opening angle
- (J) Front thickness

M.. 90.. / MB.. 90..	
A (mm)	1805
B (mm)	906
C (mm)^{x*}	745
D (mm)^{x*}	1109
F (mm)^{x*}	1086
G (mm)	221
H	115°
I	90°
J (mm)	110

**This dimension increases by 15 mm when using wall spacer brackets. (see 9 Mounting wall spacers*)*

4 Ventilation requirements

NOTICE

Danger of overheating due to insufficient air ventilation!
The compressor may be damaged if there is insufficient air ventilation.

- ▶ Take care to ensure adequate air ventilation.
- ▶ Observe the ventilation requirements.

If the appliance is integrated into a kitchen unit, the following ventilation requirements must be observed:

- As a general rule: the larger the ventilation cross section, the more energy the appliance will be able to save.
- Observe the installation dimensions. (see 13 Integrating the appliance into a kitchen niche)

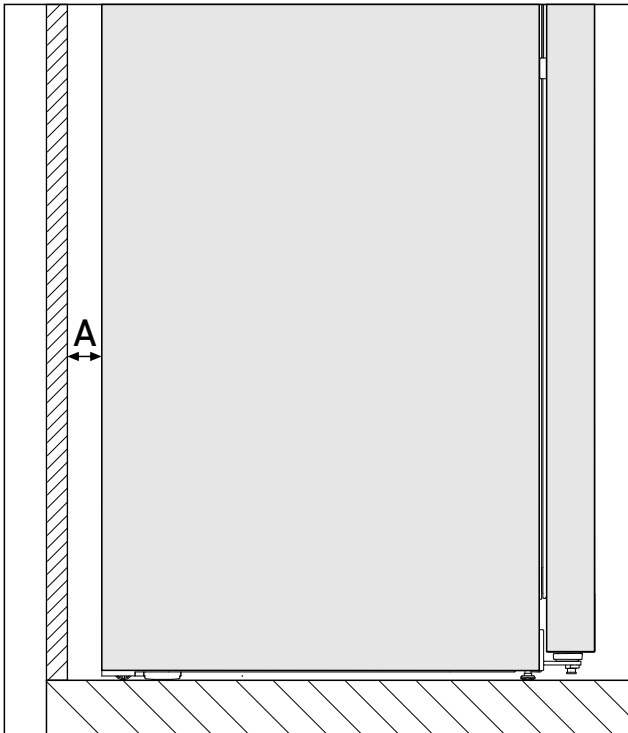


Fig. 3 *

Wall gap A
30 mm

The energy consumption has been determined with a gap of Fig. 3 (A) between the rear of the appliance and the wall. If the wall gap is less than Fig. 3 (A), this does not affect the appliance's operability but the energy consumption does increase slightly at a smaller wall gap.

5 Connection dimensions for the power supply

The connection to the power supply is on the rear of the appliance. To connect your appliance safely, ensure that the following requirements are met:

- Dimensions for the connection to the power supply are known and are adhered to. See table below.
- Connection to the power supply according to the instructions. (see 19 Connecting the appliance to the power supply)

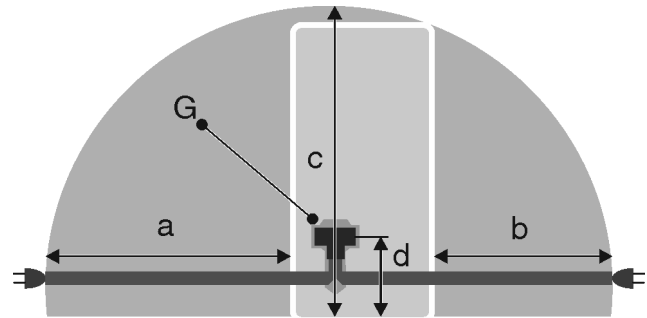


Fig. 4 Fridge/freezer combinations / freezers / full-capacity BioFresh appliances

- (a) Maximum available length of the mains connection cable
- (b) Maximum available length of the mains connection cable
- (c) Maximum available vertical length of the mains connection cable
- (d) Gap between appliance plug and floor
- (G) Appliance plug

For 906 mm wide appliances:	
a	~ 2000 mm
b	~ 1300 mm
c	~ 2200 mm
d	~ 148 mm
G	Appliance plug

6 Water connection*

If your appliance has a fixed water connection, a hose is supplied with it.

Note

You can purchase a hose of a different length as an accessory.

Overview of dimensions for the water connection:	(see 6.1 Dimensions for the water connection)
Requirements for the water pressure:	(see 6.2 Water pressure)
Make the water connection:	(see 16 Connecting the appliance to the water supply*)

6.1 Dimensions for the water connection

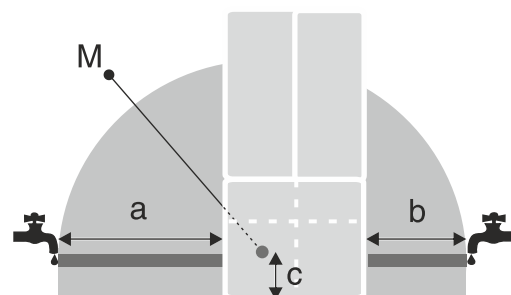


Fig. 5

- (a) Maximum available hose length
- (c) Gap between the solenoid valve and the base

Transporting the appliance

(b) Maximum available hose length

(M) Solenoid valve

a	b	c
~ 1780 mm	~ 1160 mm	~ 114 mm

6.2 Water pressure

The water connection line and solenoid valve of the appliance are suitable for a water pressure of up to 1 MPa (10 bar).

To ensure that the appliance functions correctly (flow rate, ice cube size, noise level), maintain the following water pressure:

Water pressure:	
bar	MPa
1.5 to 6.2	0.15 to 0.62

Water pressure when using the water filter:*	
bar*	MPa*
2.8 to 6.2	0.28 to 0.62

If the pressure is higher than 6.2 bar:

- ▶ Fit a pressure reducer.
- ▶ Make the water connection. (see 16 Connecting the appliance to the water supply*)

7 Transporting the appliance



WARNING

Risk of injury and damage due to heavy appliance! Contusions, fractures, injuries. Damage to property, equipment and premises. If you are transporting the appliance, e.g. carrying it up a staircase, and the appliance slips out of your hands, it can cause injury or property damage due to its weight.

- ▶ Always transport the appliance with the help of two people.
- ▶ Use lashing straps.

7.1 Transporting the appliance for initial use

Ensure that the following requirements are met:

- The appliance is packaged.
- The appliance is upright.
- ▶ Apply tension straps around the box tab.
- ▶ Hold the appliance by the tension straps.
- ▶ Transport the appliance with the help of two people.
- ▶ Unpacking the appliance. (see 8 Unpacking the appliance)

7.2 Transporting the appliance after initial use

Observe the following instructions if you wish to transport or move the appliance again after initial use.

Ensure that the following requirements are met:

- The appliance is emptied.
- The appliance is upright.
- Appliance with door(s): Door is secured against accidental opening.

- Appliance with telescopic unit: The telescopic unit is secured against accidental opening.
- Appliance with adjustable feet: Adjustable feet are screwed in.
- ▶ Transport the appliance with the help of two people.

After transport:

- ▶ Unscrew the adjustable feet on the appliance.
- ▶ Align the appliance. (see 11 Setting up the appliance so that it is level)

8 Unpacking the appliance

Before you connect the appliance, report any damage immediately to the delivery company.

- ▶ Check the appliance and the packaging for damage during transport. Contact the supplier immediately if you suspect any level of damage.
- ▶ Remove all materials from the back or the side walls of the appliance that may prevent proper installation or ventilation.
- ▶ Remove all protective films from the appliance. Do not use sharp or pointed objects for this.

9 Mounting wall spacers*

With wall spacers, your device achieves the declared energy consumption and no condensation forms in high ambient humidity. The device is fully functional without the spacer brackets, but its energy consumption will be slightly higher.

If you insert the wall spacers, then the device depth increases by approx. 15 mm.*

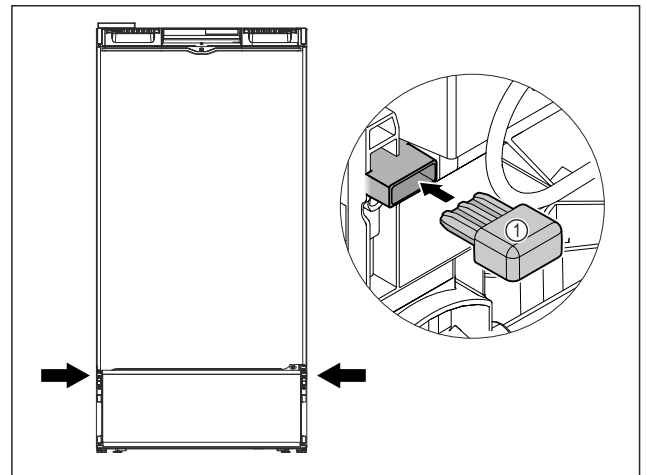


Fig. 6 *

- ▶ Appliance with enclosed wall spacers: Insert the wall spacers on the rear of the appliance at the bottom left and right.

10 Setting up the appliance



CAUTION

Risk of injury due to heavy appliance!

- ▶ Have two people transport the appliance to its installation site.

Setting up the appliance so that it is level



WARNING

Risk of fire due to short circuit!

- ▶ When you set the appliance up: do not kink, jam or damage the mains cable.
- ▶ The appliance must not be operated with a defective mains cable.



WARNING

Fire hazard and danger of damage!

- ▶ Do not place appliances emitting heat e.g. microwaves, toasters etc. on the appliance!

Ensure that the following conditions are met:

- Only move the device when it is not loaded.
- Only install the appliance with help.
- ▶ Remove the mains cable from the package.
- ▶ Plug the mains cable's IEC socket completely into the appliance plug on the back of the appliance. Ensure that the IEC socket is tight.
- ▶ Use a cord to lay the mains plug to a freely accessible socket if required.

11 Setting up the appliance so that it is level

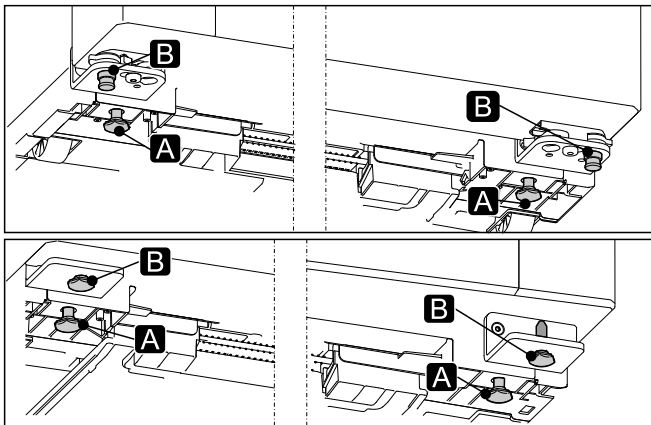


Fig. 7

- ▶ Unscrew the adjustable feet (A) using the enclosed open-end spanner and a spirit level until the appliance is firmly aligned and level.



CAUTION

Risk of injury and damage due to the appliance tipping over! If the additional adjustable foot on the lower swap bearing block does not rest properly on the floor, the appliance may tip over. This can lead to property damage and injuries.

- ▶ Unscrew the additional adjustable foot on the swap bearing block as instructed.
- ▶ Unscrew the adjustable foot (B) on the swap bearing block with the enclosed open-end spanner until it rests on the floor.
- ▶ Turn the adjustable foot (B) 90° further.
- ▶ The appliance is aligned.

12 After setting up

- ▶ Remove all transport safety components.
- ▶ Take off the protective film from the exterior of the appliance.

- ▶ Take off the protective film from the trim panels.
- ▶ Take off the protective film from the stainless steel rear panel.*
- ▶ Clean the appliance. (see operating instructions)
- ▶ Note the type (model, number), appliance designation, appliance/serial number, purchase date and dealer's address.

13 Integrating the appliance into a kitchen niche

The appliance can be integrated into a kitchen niche. (see Fig. 8)

To do this, place the appliance in a kitchen niche such that the doors of the appliance protrude from the kitchen niche by the front thickness. (see Fig. 9)

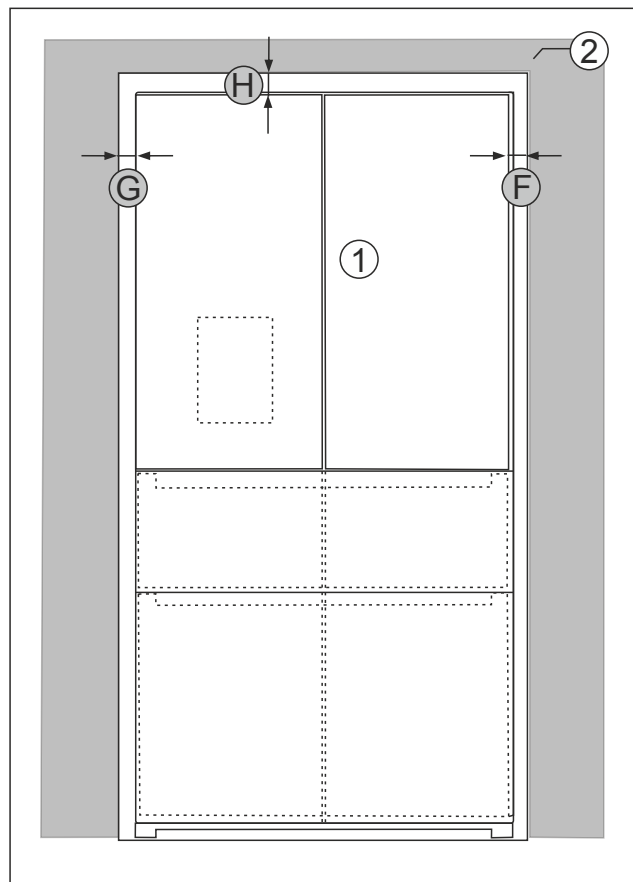


Fig. 8 Completely surrounded by kitchen furniture

- (1) Appliance
- (2) Kitchen cupboard
- (G) Distance to the left-hand side of the appliance
- (F) Distance to the right-hand side of the appliance
- (H) Distance upwards

Disposing of packaging

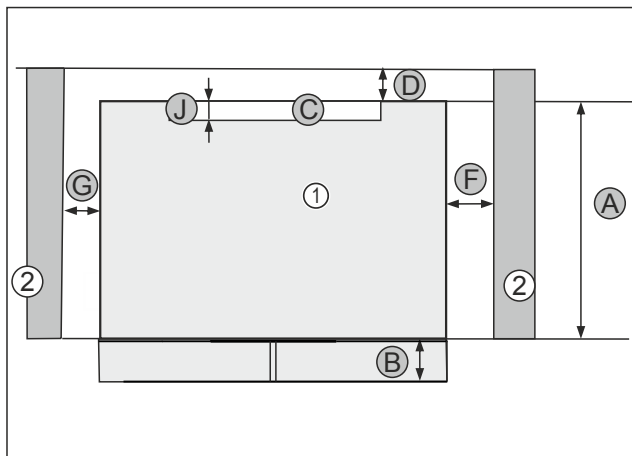


Fig. 9 Top view

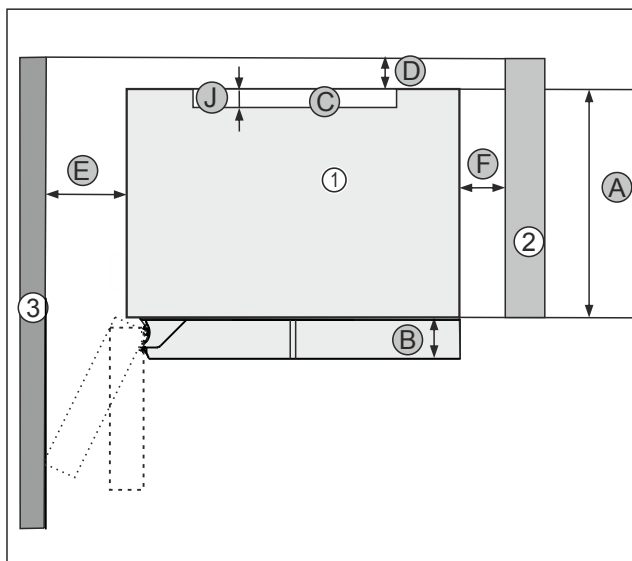


Fig. 10 Example illustration with a wall on the left

- | | |
|-------------------------------|------------------------------------------------------|
| (1) Appliance | (D) Distance from rear of the appliance to wall |
| (2) Kitchen cupboard | (E) Distance from appliance side to wall |
| (3) Wall | (F) Distance to the right-hand side of the appliance |
| (A) Appliance depth | (G) Distance to the left-hand side of the appliance |
| (B) Door depth | (J) Depth of the ventilation cross-section |
| (C) Ventilation cross-section | |

Installation dimensions	
A	635 mm
B	110 mm
C	min. 300 cm ²
D	25 mm
E	100 mm with 90° door opening angle
E	220 mm with 115° door opening angle
E	230 mm to an exterior wall
F	min. 4 mm
G	min. 4 mm
H	min. 25 mm

Installation dimensions	
J	min. 50 mm



WARNING

Risk of fire due to short circuit!

- ▶ When you set the appliance up: do not kink, jam or damage the mains cable.
- ▶ The appliance must not be operated with a defective mains cable.

Ensure that the following requirements are met:

- The socket is easily accessible and is not behind the appliance.
- Connection dimensions are taken into account. (see 19 Connecting the appliance to the power supply)
- Wall spacers are fitted. (see 19 Connecting the appliance to the power supply)
- ▶ Push the appliance into the kitchen niche.

14 Disposing of packaging



WARNING

Danger of suffocation due to packing material and plastic film!

- ▶ Do not allow children to play with packing material.

The packaging is made of recyclable materials:

- corrugated board/cardboard
- expanded polystyrene parts
- polythene bags and sheets
- polypropylene straps
- nailed wooden frame with polyethylene panel*

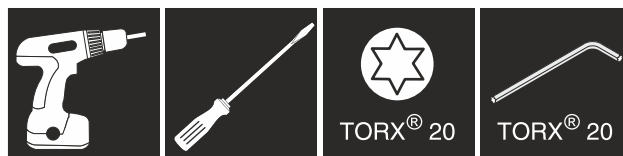
- ▶ Take the packaging material to an official collecting point.

15 Aligning the door and telescopic unit

The doors are aligned at the factory. If you notice that the vertical door gap or the gap between the fridge section and freezer section is not even, Liebherr recommends that you realign the doors.

The doors and telescopic units are aligned at the factory. If you notice that the vertical door gap or the gap between the fridge section and freezer section is not even, Liebherr recommends that you realign the doors.

Tool



15.1 Aligning the fridge section door

The door can be aligned at the top hinge bracket.

Ensure that the following requirements are met:

- The appliance is set up and aligned. (see 9 Mounting wall spacers*)

Aligning the door and telescopic unit

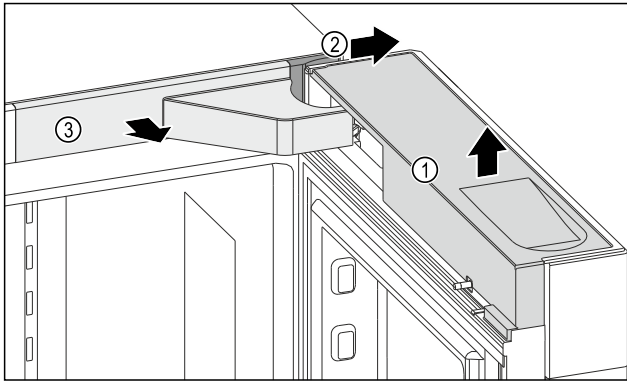


Fig. 11

- ▶ Open the door.
- ▶ Remove the cover Fig. 11 (1).
- ▶ Remove the cover Fig. 11 (2).
- ▶ Remove the cover Fig. 11 (3).



WARNING

Danger of injury due to door falling out!
If the screws on the hinge are completely removed, the door may fall out. This can result in serious injuries.

- ▶ Loosen the screws and do not remove them completely.
- ▶ Hold door in place.

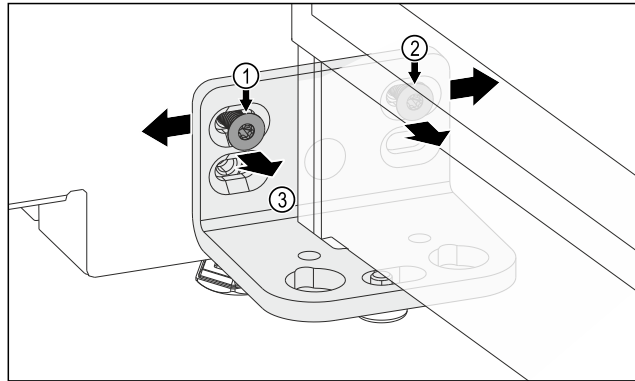


Fig. 13

- ▶ Open the door.
- ▶ Tighten screw Fig. 13 (1) and loosen screw Fig. 13 (2). You will need a short angled screwdriver for the screw Fig. 13 (2).
- ▶ Move the door to the left with the hinge bracket Fig. 13 (3).
- or-
- ▶ Move the door to the right with the hinge bracket Fig. 13 (3).
- ▶ The door has reached its end position: Tighten screw Fig. 13 (1) and screw Fig. 13 (2).
- ▶ The door is aligned.

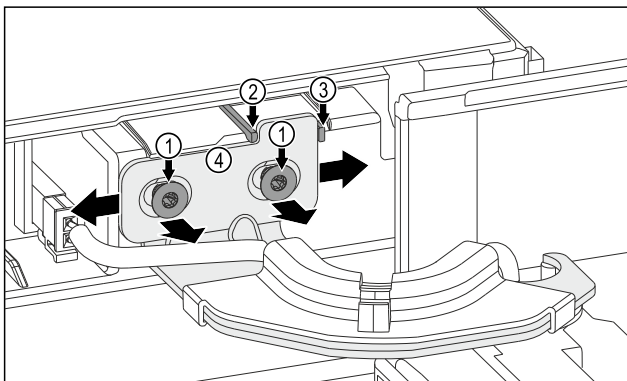


Fig. 12

- ▶ Loosen both screws Fig. 12 (1).
- ▶ To move the door to the right: Remove the locking knob Fig. 12 (3).

-or-

- ▶ To move the door to the left: Remove the locking knob Fig. 12 (2).

- ▶ Move the door.
- ▶ The door has reached its end position: Tighten both screws Fig. 12 (1) tight.
- ▶ The door is aligned.
- ▶ Attaching the covers.

15.2 Aligning the freezer section door

The door can be aligned at the bottom hinge bracket.

Ensure that the following requirements are met:

- The appliance is set up and aligned. (see 9 Mounting wall spacers*)

15.3 Aligning the telescopic unit

The telescopic unit can be aligned with both mounting brackets.

Ensure that the following requirements are met:

- The appliance is set up and aligned. (see 9 Mounting wall spacers*)

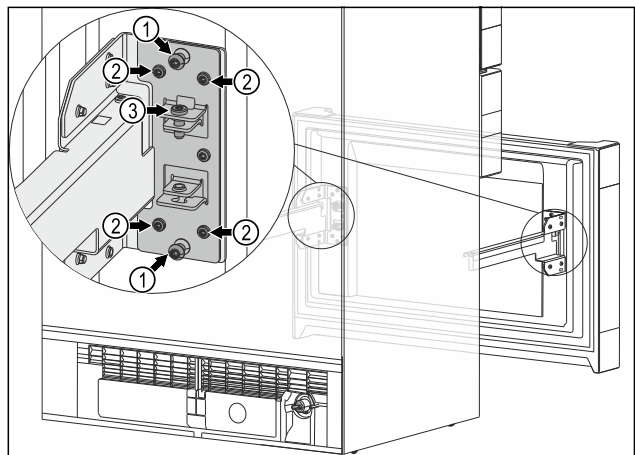


Fig. 14

- ▶ Pull the telescopic unit out as far as it will go.
- ▶ Remove the container.

To align the telescopic unit horizontally:

- ▶ Perform the action steps on the first hinge bracket first and then on the second.
- ▶ Remove the two centre screws Fig. 14 (1).
- ▶ Loosen all four screws Fig. 14 (2).
- ▶ Move the telescopic unit to the left.

-or-

- ▶ Move the telescopic unit to the right.

- ▶ The telescopic unit is horizontally aligned.

Connecting the appliance to the water supply*

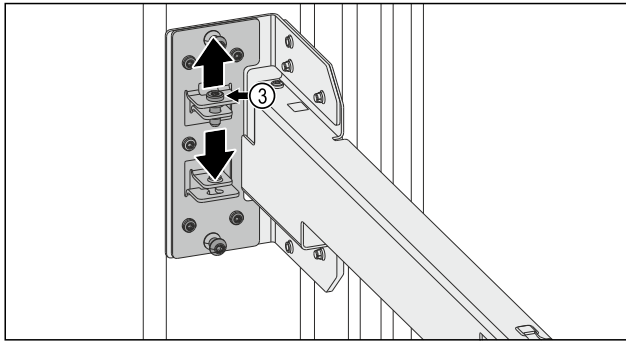


Fig. 15

To align the telescopic unit vertically:

- ▶ Perform action steps on the right or left hinge bracket.
- ▶ Loosen screw Fig. 15 (3).

-or-

- ▶ Screw the screw Fig. 15 (3) tight.

- ▶ The telescopic unit is vertically aligned.
- ▶ The telescopic unit has reached its end position: Tighten all four screws Fig. 14 (2) tight.
- ▶ The centre screws Fig. 14 (1) are no longer needed.
- ▶ The telescopic unit is aligned.

16 Connecting the appliance to the water supply*

Make sure that the following requirements are fulfilled:

- The dimensions for the water supply connection are known and complied with.
- The correct water pressure is maintained.
- Water is supplied to the appliance via a cold water pipe which can withstand the operating pressure and is connected to the drinking water supply.
- All equipment and devices used to supply water must comply with the regulations in force in the respective country.
- The rear of appliance is accessible so that you can connect the appliance to the drinking water supply.
- The supplied hose is used. Old hoses have been disposed of.
- The hose connector contains a filter with a seal.
- There is a tap between the hose line and the domestic water connection so that you can turn off the water supply if necessary.
- The tap is not directly behind the appliance and is easily accessible. This way, you can push the appliance as close as possible to the wall and can quickly turn off the tap if necessary.



WARNING

Risk of electric shock from water!

- ▶ Before connecting to the water pipe: Disconnect the appliance from the mains.
- ▶ Before connecting to water supply lines: Shut off the water supply.
- ▶ Make sure that only qualified personnel connect the device to the drinking water supply.



WARNING

Risk of poisoning due to contaminated water!

- ▶ Only connect to the drinking water supply.

16.1 Connecting the hose

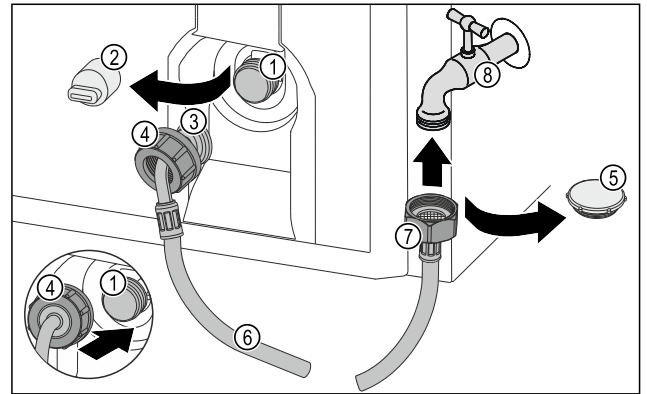


Fig. 16

- | | |
|--------------------------------------------------------------------------------------------------------------------------|-----------------------|
| (1) Solenoid valve: The solenoid valve is located at the bottom rear of the appliance. It has an R3/4 connection thread. | (5) Closure cap |
| (2) Cover | (6) Hose |
| (3) Angled hose end | (7) Straight hose end |
| (4) Nut | (8) Tap |

NOTICE

Risk of damage from incorrect installation!

- ▶ Do not damage or kink the hose.
- ▶ Do not damage or kink the hose when setting up the appliance.

Connecting the hose to the appliance:

- ▶ Pull off the cover (2).
- ▶ Push and hold the nut (4) all the way over the angled hose end (3).

NOTICE

The solenoid valve will not be tight if the thread is damaged! If the solenoid valve is not tight, water may leak out.

- ▶ Observe the following instructions for fitting the nut on the solenoid valve.

- ▶ Carefully position and hold the nut (4) on the solenoid valve (1).
- ▶ Screw the nut (4) by hand straight onto the thread until it is securely and firmly seated.
- ▶ The hose is connected to the appliance.

Connecting the hose to the tap:

- ▶ Remove the closure cap Fig. 16 (5).
- ▶ Place the straight end of the hose Fig. 16 (7) on the tap Fig. 16 (8).
- ▶ Tighten the nut at the straight end of the hose Fig. 16 (7) in a clockwise direction.
- ▶ The hose is connected to the tap.

16.2 Checking the water system

Before you completely install the appliance, Liebherr recommends checking the water system for leaks.

- ▶ Put in the InfinitySpring water tank. (see 17 Water tank*)
- ▶ Put in the InfinitySpring water filter. (see 18 Water filter*)
- ▶ Slowly turn on the tap.
- ▶ Check the hose, water feed and connections for leaks.
- ▶ The water system has now been checked for leaks.
- ▶ The water system is not leaking: You can install up the appliance completely.

Note

InfinitySpring: Before the first use, you must put the InfinitySpring into operation. To do this you must bleed and clean the water system. (see Quick Start Guide or operating instructions)*

IceMaker: Before the first use, you must clean the IceMaker. (see Quick Start Guide or operating instructions)*

17 Water tank*

The water tank for the InfinitySpring is located behind the drawer on the left in the fridge section.*

17.1 Inserting the water tank

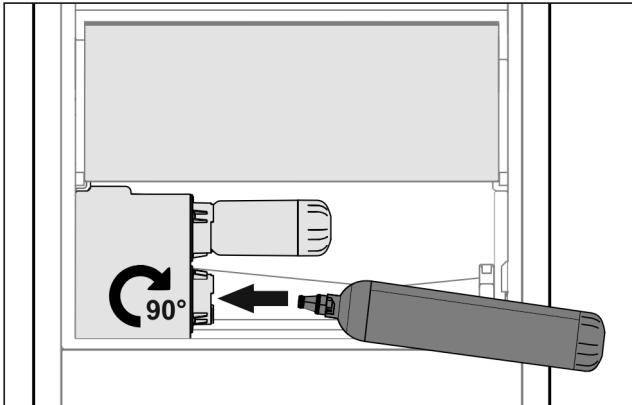


Fig. 17

- ▶ Remove the drawer compartment.
- ▶ Insert the water tank and rotate approx. 90° clockwise until it clicks in.
- ▶ Check that the tank is sealed and no water leaks out.
- ▶ Insert the drawer compartment.
- ▶ Bleed the water system. (see Quick Start Guide or operating instructions)

Instead of the water filter you can insert an additional water tank.*

Note

You can purchase this water tank as an optional extra.

18 Water filter*

The water filter is located behind the drawer on the left in the fridge section.

It filters out deposits in the water and reduces the taste of chlorine.

- ☐ Replace the water filter at least every 6 months, or if there is a significant reduction in the flow rate.
- ☐ The water filter contains carbon and can be disposed of with the regular household waste.

Note

Water filters are available from the Liebherr-Hausgeräte store at home.liebherr.com/shop/de/deu/zubehor.html.

18.1 Inserting the water filter

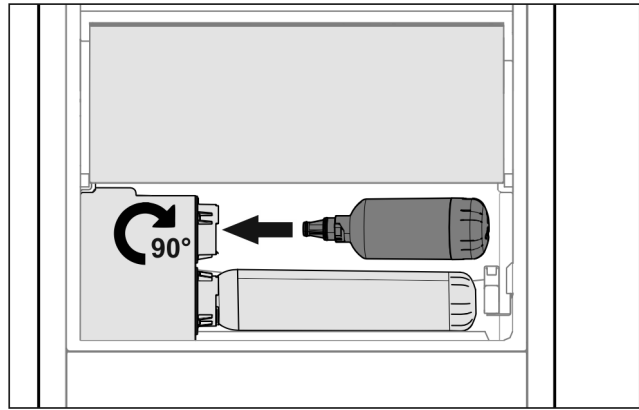


Fig. 18

- ▶ Remove the drawer compartment.
- ▶ Insert the water filter and rotate approx. 90° clockwise until it clicks in.
- ▶ Check that the filter is sealed and no water leaks out.
- ▶ Insert the drawer compartment.

Note

New water filters may contain suspended particles.*

- ▶ After replacing the filter: Draw and dispose of 3 l water at the InfinitySpring.

- ▷ The water filter is now ready for use.

19 Connecting the appliance to the power supply



WARNING

Danger of electric shock and injury due to damaged appliance or damaged mains cable!

Danger of cuts and fatal injuries. If the appliance or the mains cable is damaged during transport, you may be electrocuted. You could also cut yourself on damaged parts of the appliance housing.

- ▶ Check the appliance and the mains cable for damage after transport.
- ▶ Never put the appliance into operation if the appliance or the mains cable are damaged.
- ▶ Contact Customer Service.

You can connect your appliance to the mains using the power cable supplied separately. The mains power cable has an appliance coupler at one end and a mains plug at the other end.

Make sure that the following requirements are fulfilled:

- The appliance and power cable are undamaged.
- The appliance is set up in accordance with the regulations. (see 9 Mounting wall spacers*)
- Requirements for the electrical connection are met.
- Dimensions for connection in accordance with regulations are known and observed. (see 5 Connection dimensions for the power supply)
- Mains voltage and frequency correspond to the specifications on the type plate.
- The socket is earthed according to the regulations and fused.
- The fuse tripping current is between 10 A and 16 A.
- The socket is easily accessible and is not behind the appliance. (see 5 Connection dimensions for the power supply)

Connecting the appliance to the power supply

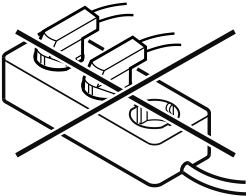
NOTICE

Danger of damage to incorrect operation!
Damage to the electrical components of the appliance.
▶ Only use the supplied mains cable.



WARNING

Danger of fire due to incorrect connection!
Burns.
Damage to the appliance.
▶ Do not use an extension cable.
▶ Do not use distributor blocks.



NOTICE

Danger of damage to incorrect connection!
Damage to the appliance.
▶ Do not connect the appliance to a stand-alone inverter, e.g. solar power systems and petrol generators.

- ▶ Connect the mains cable plug to the power supply. Ensure that the plug is tightly in the socket.
- ▶ If no action occurs within 60 seconds: The standby symbol fades or disappears.
- ▶ The appliance is connected. For information regarding first use, see the following section or the operating instructions.



home.liebherr.com/fridge-manuals

EN fridge/freezer with BioFresh

Issue date: 20260313

Part number index: 7086275-00

Liebherr-Hausgeräte Marica EOOD
Bezirk Plovdiv
4202 Radinovo
Bulgarien