



## Installation Guide

Quality, Design and Innovation



[home.liebherr.com/fridge-manuals](http://home.liebherr.com/fridge-manuals)





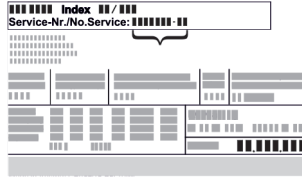


# LIEBHERR



# General safety instructions

## Contents

1	General safety instructions.....	2
2	Setup conditions.....	3
2.1	Setup location.....	3
2.2	Electrical connection.....	3
3	Appliance dimensions.....	3
4	Transporting the appliance.....	3
5	Unpacking the appliance.....	4
6	Removing the transport lock.....	4
7	Installing the door handle*.....	4
8	Installing the door handle*.....	4
9	Setting up the appliance.....	4
10	Leveling out the appliance.....	5
11	Setting up multiple appliances.....	5
12	After setup.....	5
13	Disposal of packaging.....	5
14	Reversing the door opening direction.....	5
15	Aligning the door.....	14
16	Connecting the appliance to the power supply....	15

The manufacturer is constantly working to improve all types and models. Therefore, please be aware that we reserve the right to make changes to the shape, equipment and technology.

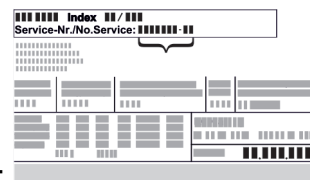
Symbol	Explanation
	<b>Read instructions</b> Please read the information in these instructions carefully to understand all of the benefits of your new appliance.
	<b>Additional information online</b> The digital manual with supplemental information and in additional languages can be found online by scanning the QR code on the front page of this manual or by entering the service number at <a href="http://home.liebherr.com/fridge-manuals">home.liebherr.com/fridge-manuals</a> . The service number can be found on the serial tag:  <i>Fig. Example illustration</i>
	<b>Check appliance</b> Check all parts for transport damage. If you have any complaints, please contact your agent or customer service.
	<b>Differences</b> These instructions apply to a range of models, so there may be differences. Sections that apply to certain models only are indicated by an asterisk (*).




Symbol	Explanation
	<b>Instructions and results</b> Instructions are marked with a ▶. Results are marked with a ▷.
	<b>Videos</b> Videos about the appliances are available on the YouTube channel of Liebherr-Hausgeräte.

### Open-source licenses:

The appliance includes software components that make use of open-source licenses. You can find information on the open-source licenses to be used here: [home.liebherr.com/open-source-licenses](http://home.liebherr.com/open-source-licenses)

## 1 General safety instructions

- Please keep this assembly manual in a safe place so you can refer back to it at any time.
- If you pass the appliance on, please hand this assembly manual to the new owner.
- Read this assembly manual before installation and use in order to use the appliance safely and correctly. Follow the instructions, safety instructions and warning messages included at all times. They are important for ensuring you can operate and install the appliance safely and without any problems.
- First read the general safety instructions in the “General safety instructions” section of the **operating instructions**, which accompany these installation instructions, and follow them. If you cannot find the **operating instructions**, you can download the **operating instructions** from the internet by entering the service number at [home.liebherr.com/fridge-manuals](http://home.liebherr.com/fridge-manuals). The service number can be found on the serial tag:  

- **Observe the warning messages and other detailed information in the other sections when installing the appliance:**

	DANGER	indicates a hazardous situation, which if not avoided, will result in death or serious injury.
	WARNING	indicates a hazardous situation, which if not avoided, could result in death or serious injury.
	CAUTION	indicates a hazardous situation, which if not avoided, will result in minor or moderate injury.

	NOTICE	indicates a hazardous situation, which if not avoided, could result in damage to property.
	Note	indicates useful advice and tips.

## 2 Setup conditions



### WARNING

Risk of fire due to moisture!

If live parts or the power cord get wet, this can cause a short circuit.

- ▶ The appliance is designed for use in enclosed spaces. Do not operate the appliance in open space or in damp areas or where there is spray.

### 2.1 Setup location



### WARNING

Leaking refrigerant and oil!

Fire. The refrigerant contained within the appliance is environmentally friendly, but flammable. The oil contained within the appliance is flammable. Escaping refrigerant and oil can ignite if they are of high enough concentration and are exposed to an external heat source.

- ▶ Do not damage the pipelines of the coolant circuit and the compressor.

- Do not setup the appliance in direct sunlight, next to an oven, radiator or similar.
- The best place to set up the appliance is a dry and well ventilated room.
- If the appliance is set up in a very humid environment, condensation can form on the outside of the appliance. Always ensure sufficient airflow and ventilation in the setup location.
- The more refrigerant there is in the appliance, the larger the space it is installed in must be. If the space is too small, any leak may create a flammable mixture of gas and air. For every 8 g of refrigerant, the installation space must be at least 1 m<sup>3</sup>. Specifications on the refrigerant in the appliance can be found on the serial tag plate inside the appliance.
- The floor of the setup location must be horizontal and even.
- The setup location must be able to withstand the weight of the appliance plus the weight when stocked to maximum capacity.
- Use in hazardous areas is not permitted.

### 2.2 Electrical connection

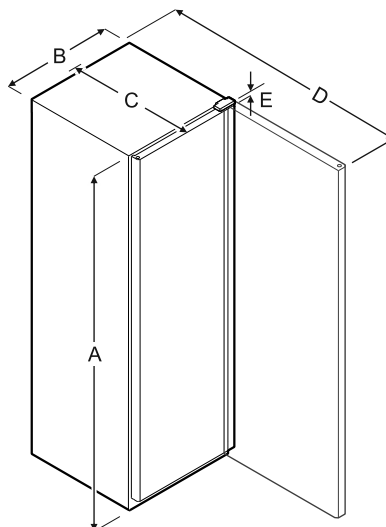


### WARNING

Danger of fire due to incorrect positioning!

- ▶ Make sure the power supply cable is not trapped under the appliance when you position the appliance.
- ▶ Position the appliance so that it does not touch the plug or power supply cable.
- ▶ Do not connect any appliances to sockets in the area to the back of the appliance.
- ▶ Do **not** place and operate power strips/power distributors and other electronic devices (such as halogen transformers) at the back of the appliances.

## 3 Appliance dimensions



	A	B	C	D	E
WPbl 4201 WSbl 4201	1284 mm	600 mm	763 mm	1323 mm	23 mm
WPbl 4601 WSbl 4601	1484 mm	600 mm	763 mm	1323 mm	23 mm
WPbl 5001 WPbli 5031 WSbl 5001 WSbli 5031	1684 mm	600 mm	763 mm	1323 mm	23 mm
WPbl 5231 WPbli 5231 WSbli 5231	1884 mm	600 mm	763 mm	1323 mm	23 mm
WSbl 7731 WSbli 7731	2044 mm	750 mm	763 mm	1473 mm	23 mm

A = appliance height including feet/casters/hinges

B = appliance width without handle

C = appliance depth without handle

D = appliance depth with door open

E = hinge height

## 4 Transporting the appliance



### WARNING

There is a risk of injury from pieces of broken glass.\*

When transporting at an altitude of more than 1500 m, the glass panes of the door may break. This can result in sharp-edged fragments, which can cause serious injuries.

- ▶ Adopt suitable protective measures.

**Observe the following when transporting the appliance:**

- ▶ Transport the appliance upright.
- ▶ Use two people when transporting the appliance.

**During the first use:**

- ▶ Transport the appliance packaged.

**During appliance transport or at first use (e.g. when moving or cleaning):**

# Unpacking the appliance

- ▶ Empty the appliance.
- ▶ Secure the door against undesired opening.

## 5 Unpacking the appliance

If the appliance is damaged check with the supplier immediately before connecting it.

- ▶ Check the appliance and packaging for damage during transport. If you suspect any damage, please contact your supplier immediately.
- ▶ Remove all materials that could prevent it from being installed properly or prevent proper ventilation from the back or the side panels of the appliance.
- ▶ Remove all protective films from the appliance. Do not use sharp or pointed objects for this.

## 6 Removing the transport lock

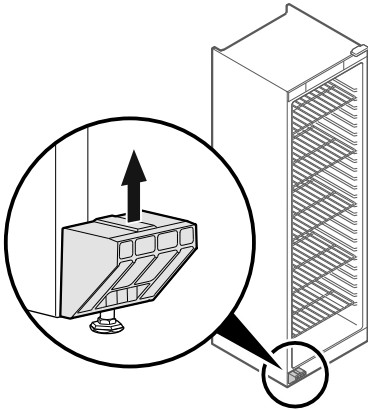


Fig. 1

- ▶ Remove transport lock in upwards direction.
- ▷ Base holder remains on the appliance.

## 7 Installing the door handle\*

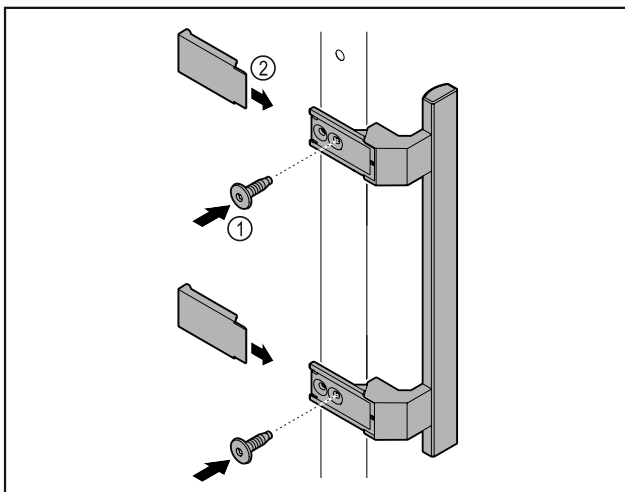


Fig. 2

- ▶ Attach handle from accessory kit to the door using supplied screws Fig. 2 (1).
- ▶ Put on cover Fig. 2 (2).

## 8 Installing the door handle\*

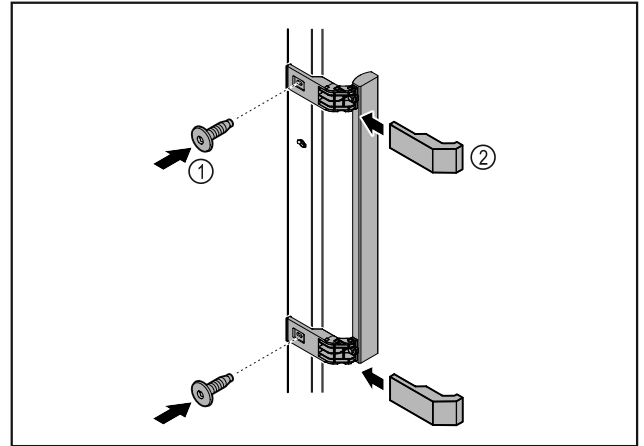


Fig. 3

- ▶ Attach handle from accessory kit to the door using supplied screws Fig. 3 (1).
- ▶ Put on cover Fig. 3 (2).

## 9 Setting up the appliance



### CAUTION

Risk of injury and damage.

- ▶ Use 2 people to set up the appliance.



### CAUTION

Risk of injury and damage.

The door can strike against the wall and become damaged as a result. In the case of glass doors, the damaged glass can cause injuries.

- ▶ Protect the door from striking against the wall. Attach a door stopper, e.g. felt stopper, to the wall.

- ▶ Connect all necessary components (e.g. power cable) to the back of the appliance and route to the side.

### Note

Cables can be damaged.

- ▶ Do not crush the cable when pushing the appliance back.

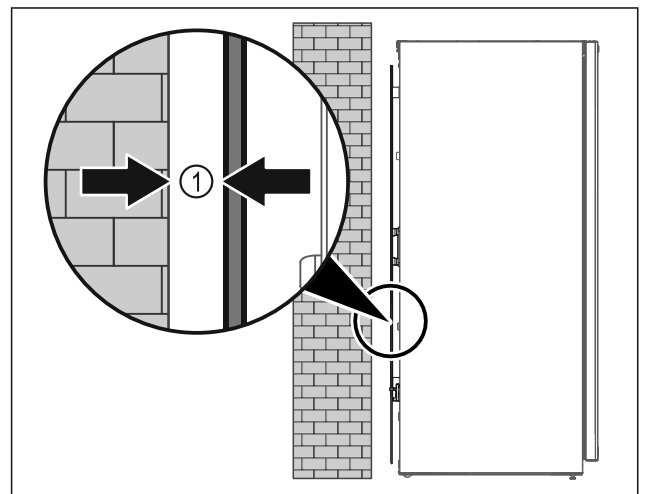


Fig. 4

- ▶ Set up the appliance either free-standing or directly against a wall at a minimum distance of 5 mm Fig. 4 (1).

## 10 Leveling out the appliance

### NOTICE

Appliance body can become deformed and door will not close.

- ▶ Align appliance horizontally and vertically.
- ▶ Compensate for uneven floors using adjustable feet.



### WARNING

Incorrect height adjustment of the adjustable foot! Severe or fatal injuries. Incorrect height adjustment can cause the bottom part of the adjustable foot to come loose and the appliance to tip over.

- ▶ Do not unscrew the adjustable foot too far.

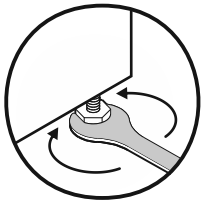


Fig. 5

### Raising appliance:

- ▶ Turn adjustable foot clockwise.

### Lowering appliance:

- ▶ Turn adjustable foot counterclockwise.

## 11 Setting up multiple appliances

### NOTICE

Risk of damage due to condensation between the side walls.

- ▶ Do not set up the appliance directly next to another refrigeration appliance.
- ▶ Set up appliances with a space of 3 cm between appliances.
- ▶ Only set up multiple appliances up to temperatures of 35 °C and 65 % humidity next to one another.
- ▶ At higher levels of humidity, increase the space between appliances.

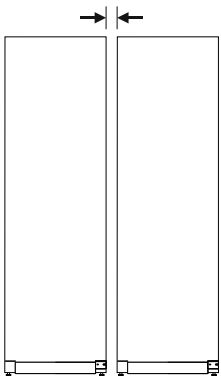


Fig. 6 Side-by-side set up

### Note

A side-by-side kit is available as an accessory via Liebherr Customer Service.

## 12 After setup

- ▶ Peel off the protective films. \*
- ▶ Clean the appliance.
- ▶ If necessary: Disinfect the appliance.

- ▶ Keep the invoice so you have the appliance and dealer information available if needed.

## 13 Disposal of packaging



### WARNING

Danger of suffocation from packaging materials and films!

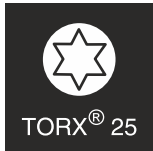
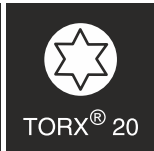
- ▶ Do not allow children to play with packaging materials.

The packaging is made from recyclable materials:

- Corrugated card/cardboard
  - Parts made of foamed polystyrene
  - Films and bags from polyethylene
  - Packing bands from polypropylene
  - Wood frame nailed together with a polyethylene window\*
- ▶ Take the packaging material to an official collection point.

## 14 Reversing the door opening direction

### Tools



### WARNING

Risk of injury if the door is not reversed correctly!

- ▶ The door may only be reversed by qualified personnel.



### WARNING

Risk of injury and material damage due to heavy door!

- ▶ Only perform the conversion if you can carry a weight of 25 kg.
- ▶ Always have someone help you carry out the conversion.

### NOTICE

Live parts!

Damage to electrical components.

- ▶ Pull the power plug before changing the door hinges.

- ▶ Open the door.

# Reversing the door opening direction

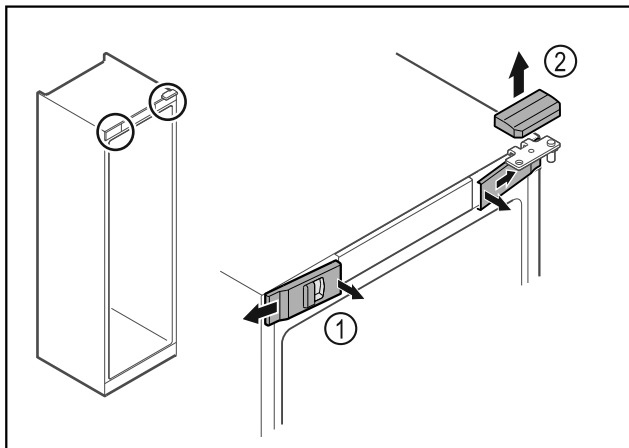


Fig. 7\*

- ▶ Unlatch the front covers Fig. 7 (1) on the inside and remove them sideways.\*
- ▶ Lift off the upper cover Fig. 7 (2).\*

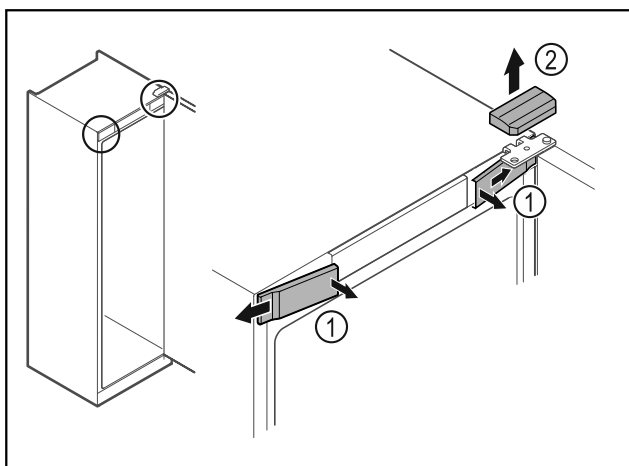


Fig. 8\*

- ▶ Unlatch the front covers Fig. 8 (1) on the inside and remove them sideways.\*
- ▶ Lift off the upper cover Fig. 8 (2).\*

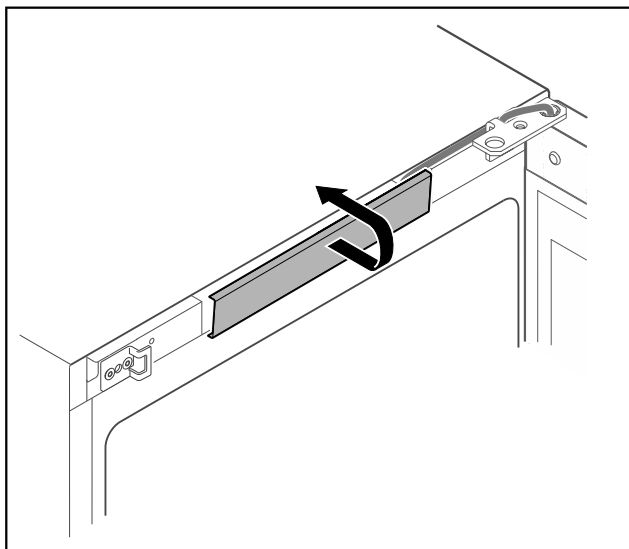


Fig. 9

- ▶ Unlatch the middle cover and remove it.

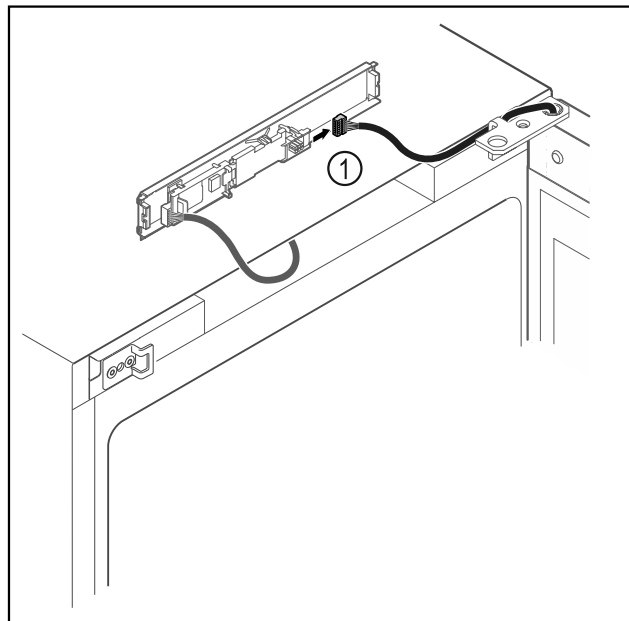


Fig. 10

- ▶ Disconnect the plug Fig. 10 (1) from the circuit board.

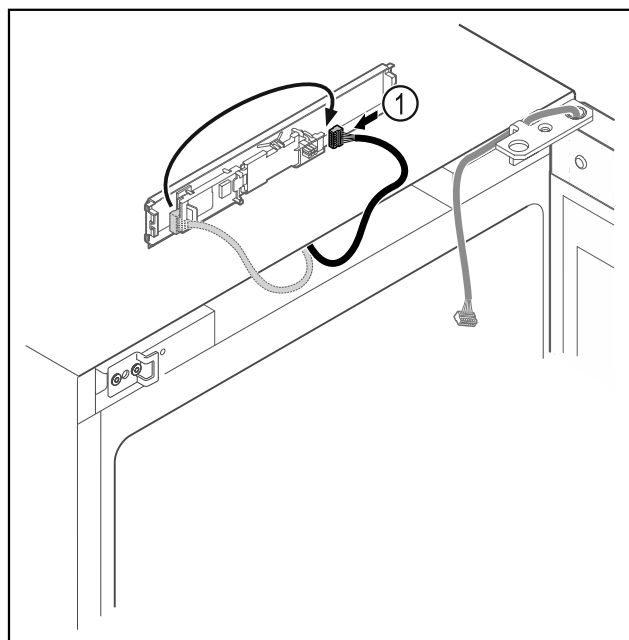


Fig. 11

- ▶ Connect the plug Fig. 11 (1) to the circuit board.

# Reversing the door opening direction

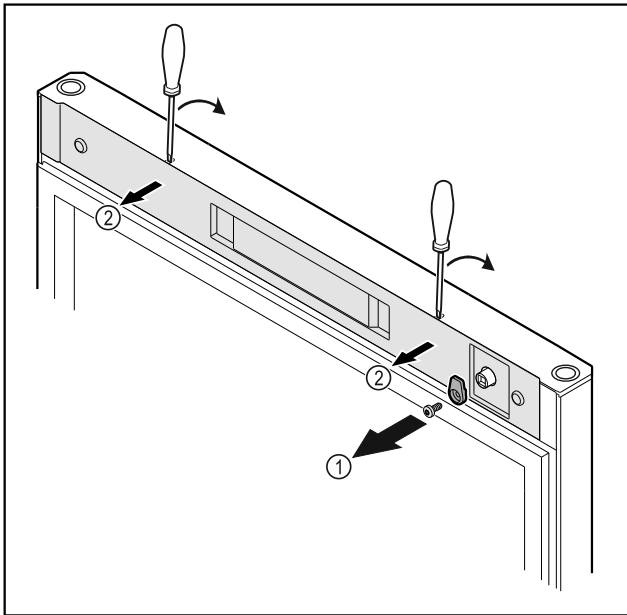


Fig. 12 \*

- ▶ Unscrew the door latch Fig. 12 (1)\*
- ▶ Unlatch the cover Fig. 12 (2) with a small screwdriver and remove it.\*

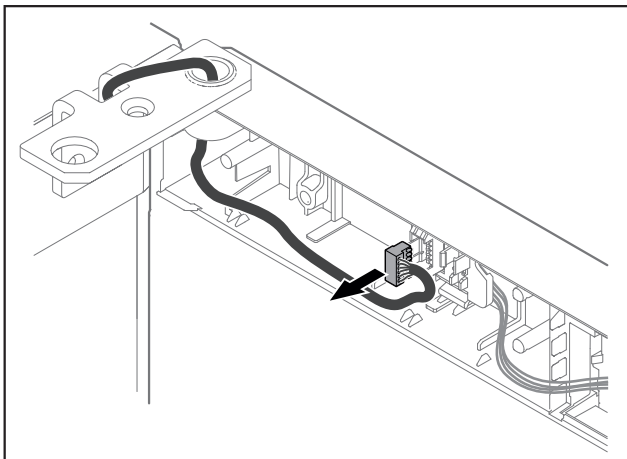


Fig. 13

- ▶ Remove the plug from the plug holder.

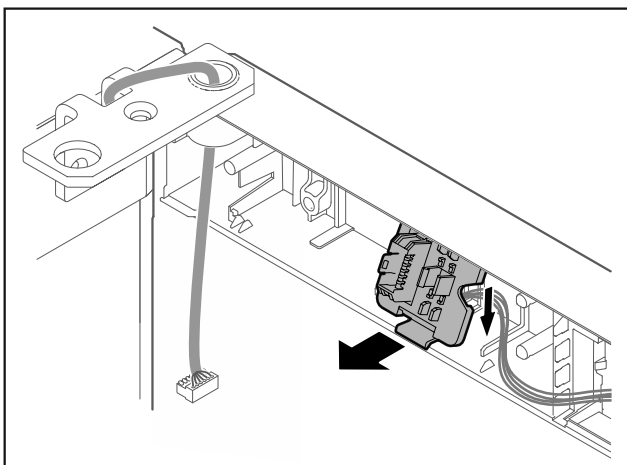


Fig. 14 The installation position of the plug holder can be rotated by 180°.

- ▶ Disengage the plug holder.

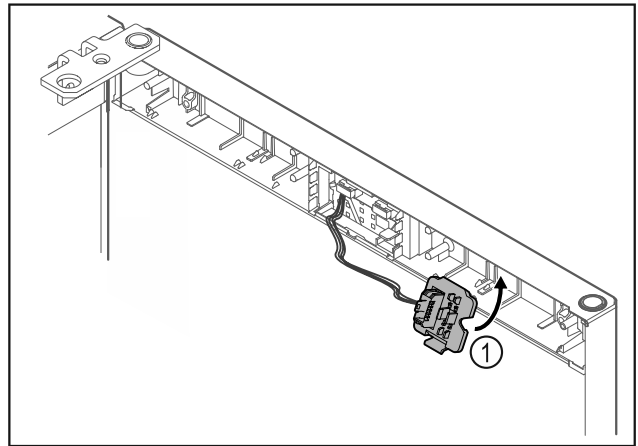


Fig. 15

- ▶ Snap in the plug holder Fig. 15 (1) on the opposite side.

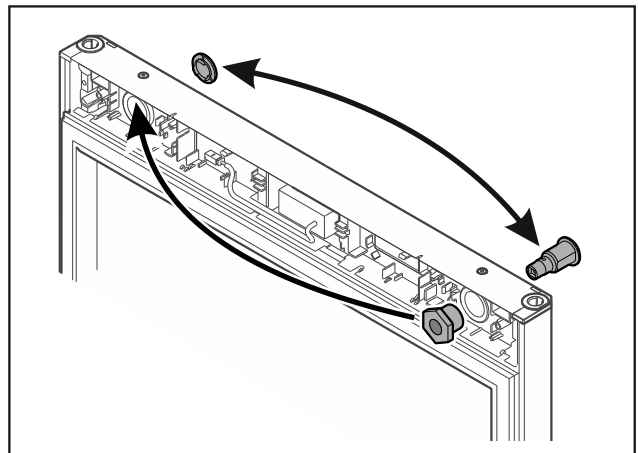


Fig. 16 \*

- ▶ Put the lock and cover on the opposite side.\*
- or-

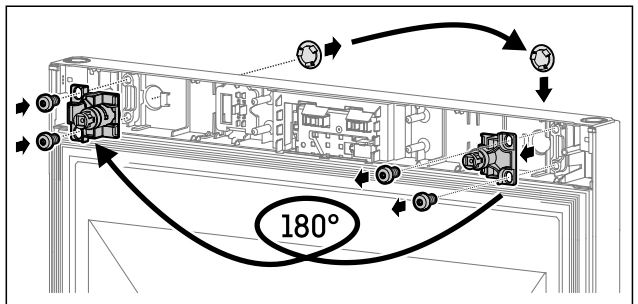


Fig. 17

- ▶ Put the lock and cover on the opposite side.\*

## NOTICE

Risk of injury if the door tips out!

- ▶ Hold the door.

# Reversing the door opening direction

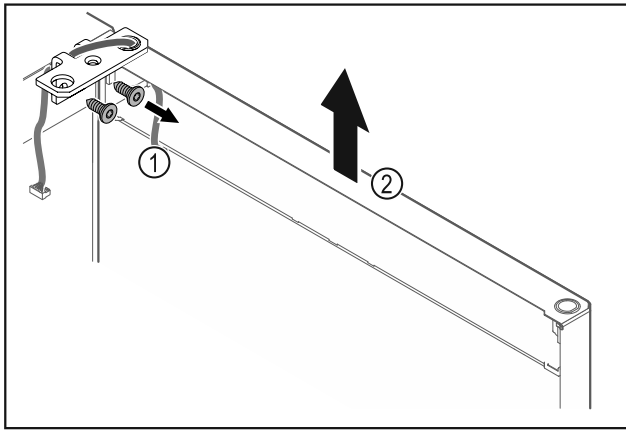


Fig. 18

- ▶ Unscrew the hinge Fig. 18 (1).
- ▶ Lift the door with the hinge straight up by Fig. 18 (2) roughly 200 mm and take it off.
- ▶ Carefully place the door on a soft surface.

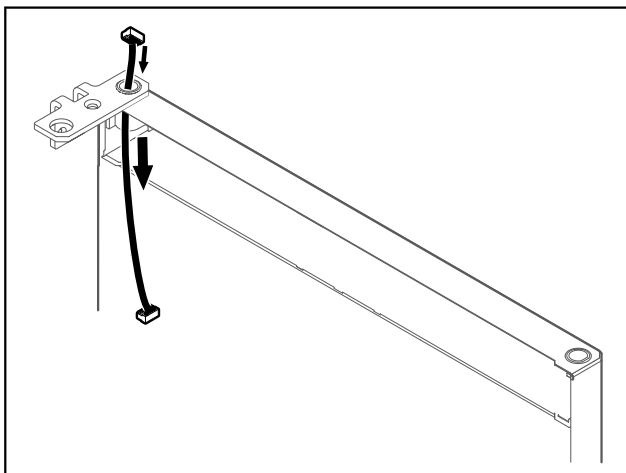


Fig. 19

- ▶ Carefully pull out the cable.

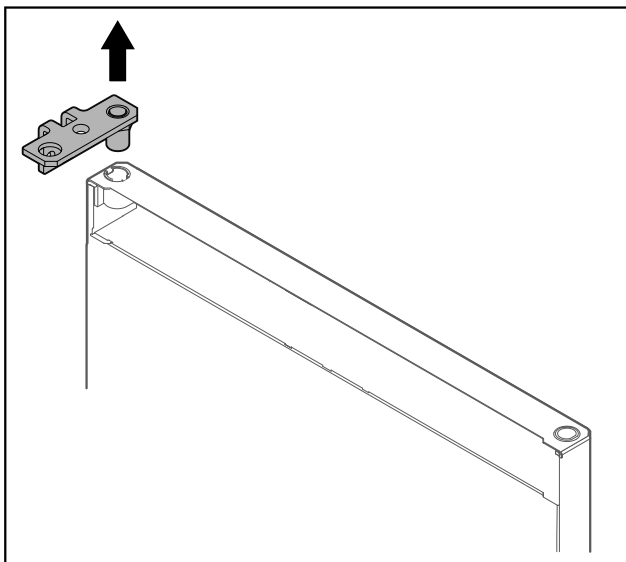


Fig. 20

- ▶ Pull out the hinge.

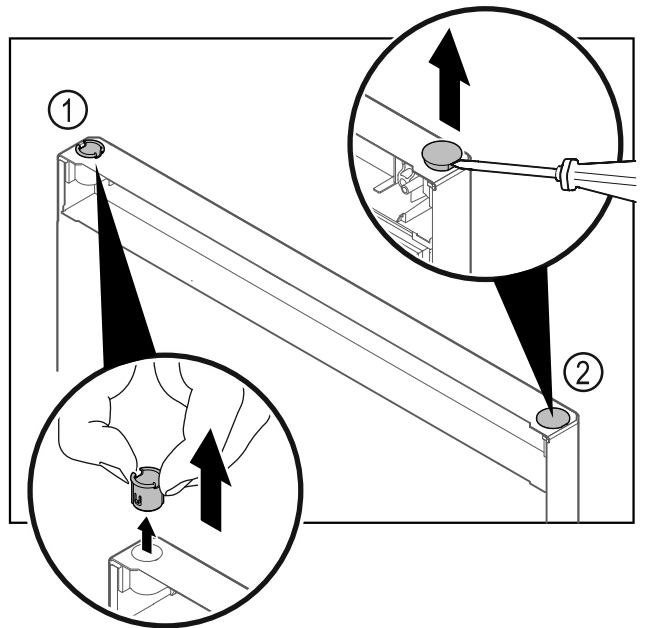


Fig. 21

- ▶ Pull out the hinge bushing Fig. 21 (1) with your fingers.
- ▶ Carefully lift the cover plug Fig. 21 (2) with a slotted screwdriver and pull it out.

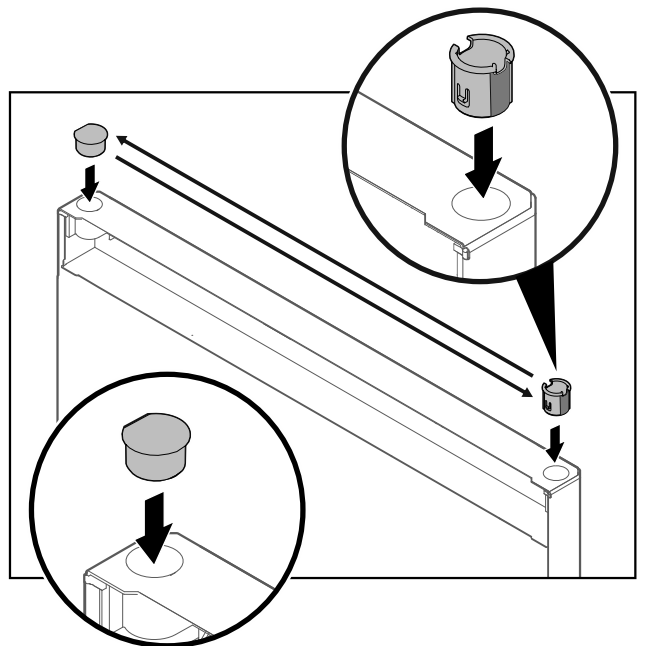


Fig. 22

- ▶ Insert hinge bushing and cover plug on the opposite side (the flattened sides face outwards).



# Reversing the door opening direction

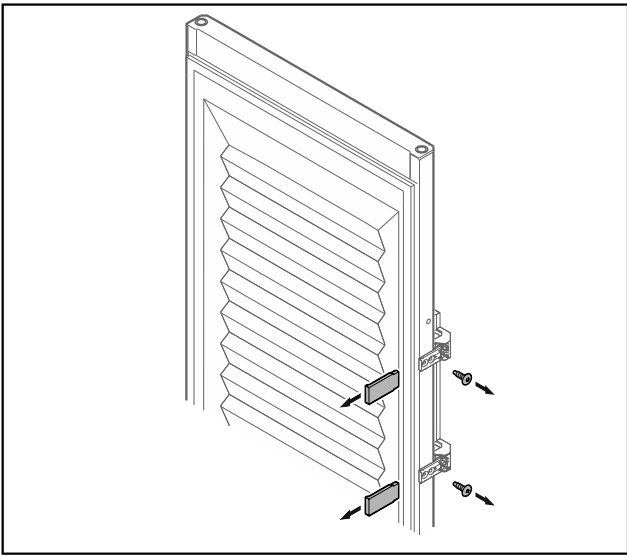


Fig. 23 Insulated door\*

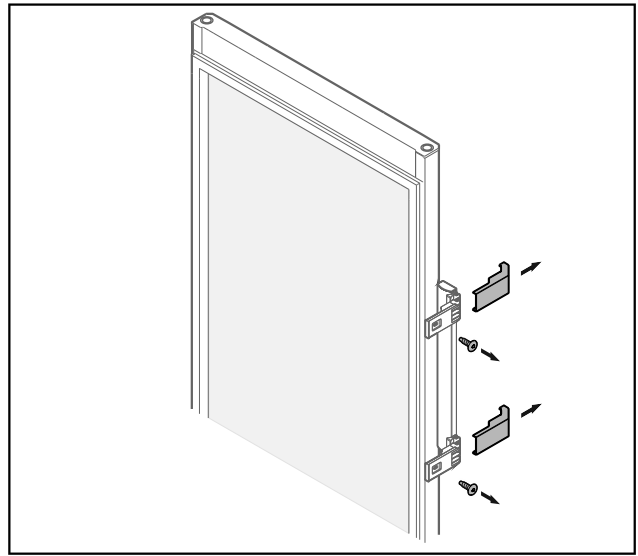


Fig. 24 Glass door\*

- ▶ Remove the panels.
- ▶ Unscrew the handle.

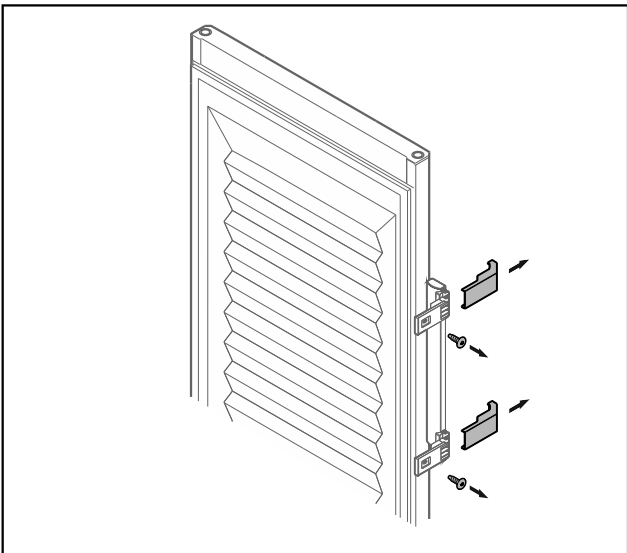


Fig. 23 Insulated door\*

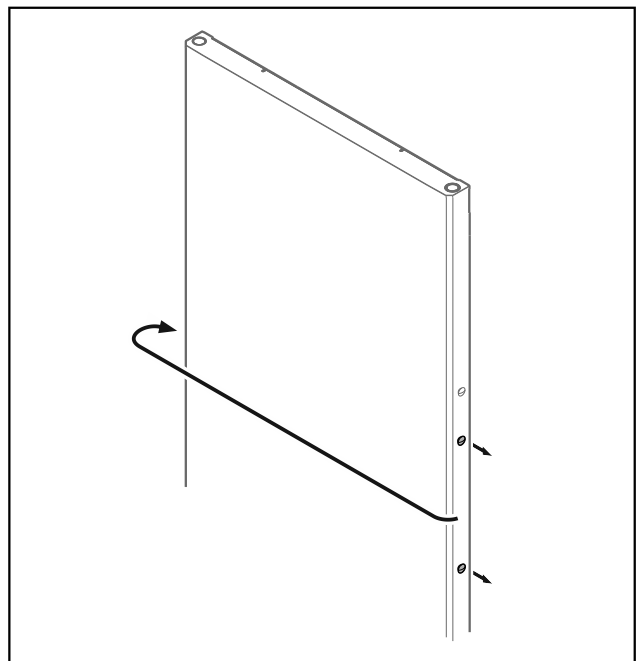


Fig. 25

- ▶ Put the stopper on the opposite side.

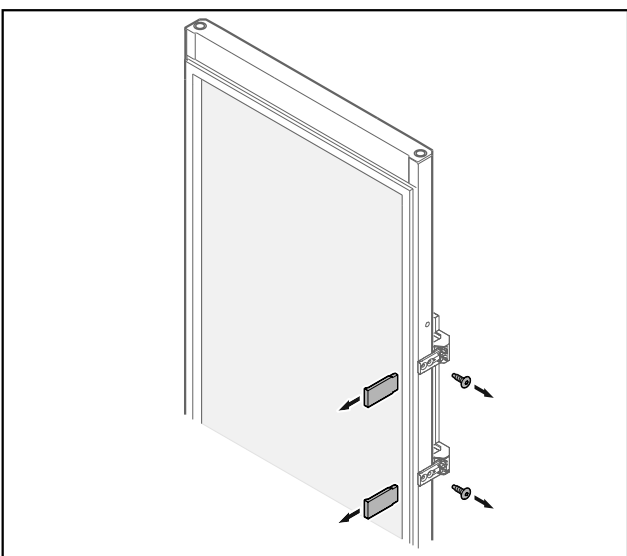


Fig. 24 Glass door\*

# Reversing the door opening direction

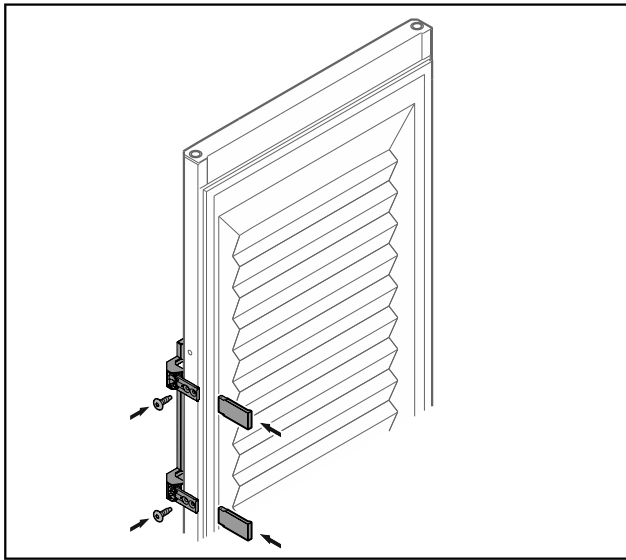


Fig. 26 Insulated door\*

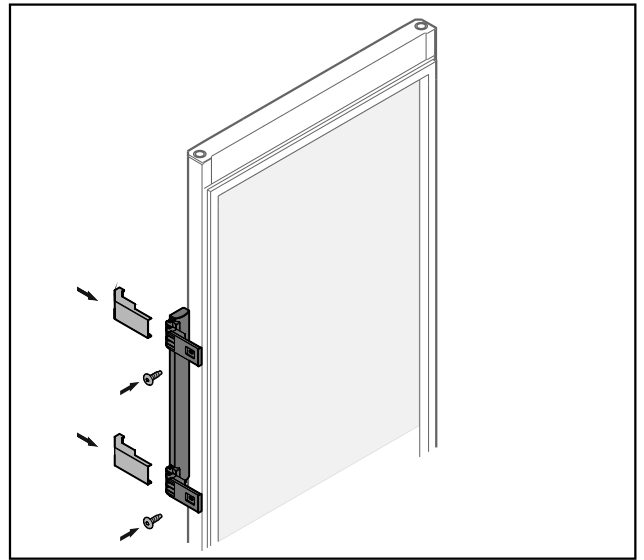


Fig. 27 Glass door\*

- ▶ Screw the handle onto the opposite side.
- ▶ Attach the panels.

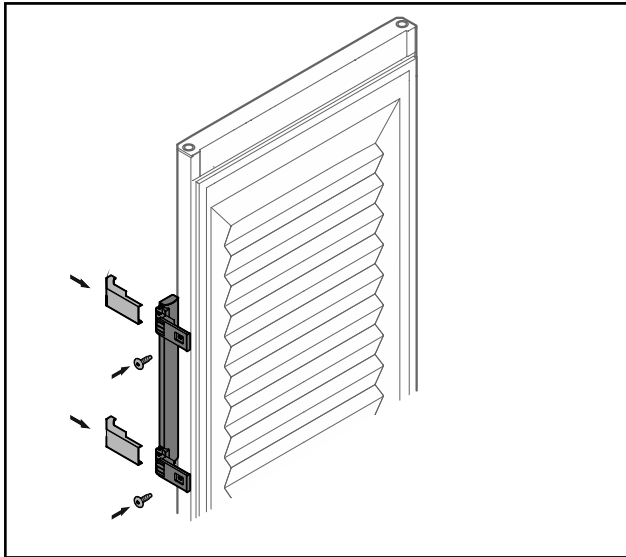


Fig. 26 Insulated door\*

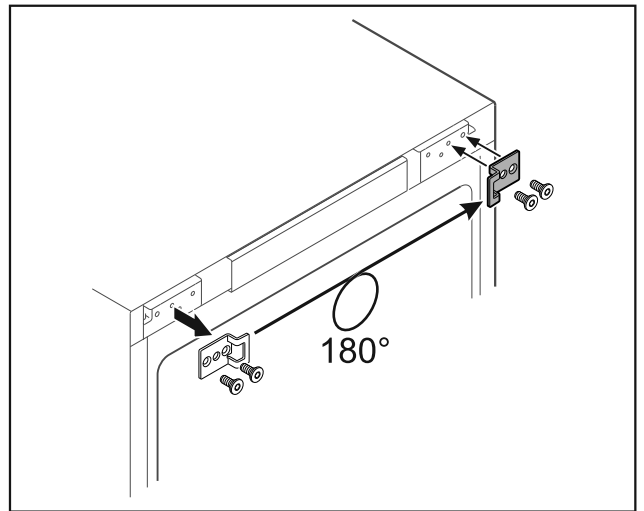


Fig. 28 \*

- ▶ Put the closing bracket on the opposite side.\*

**Note**

The holes are pre-marked and must be pierced with the self-tapping screws.\*

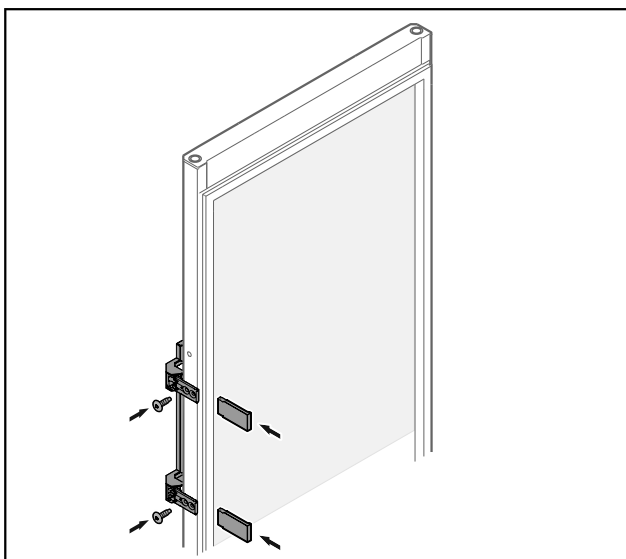


Fig. 27 Glass door\*

# Reversing the door opening direction

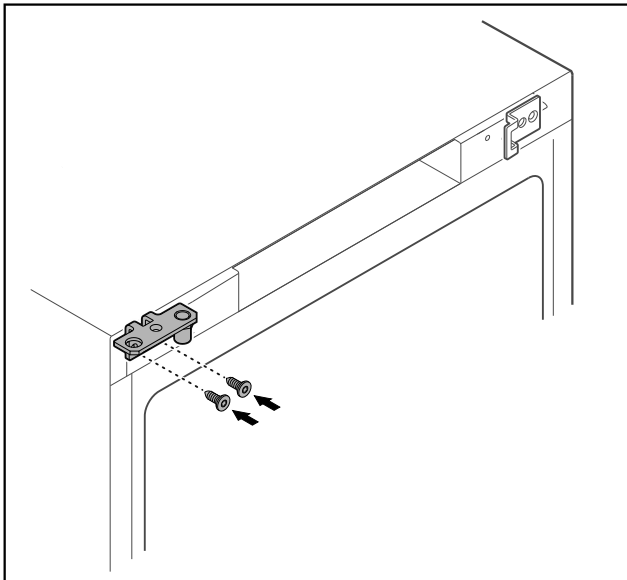


Fig. 29 \*

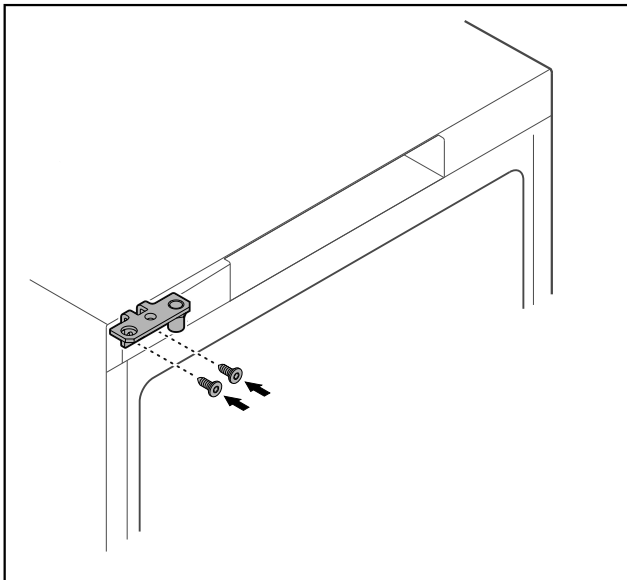


Fig. 30 \*

- ▶ Move the hinge to the opposite side.



## WARNING

Risk of injury and material damage if the door tips out!

- ▶ Tighten the bearing pins to the specified torque.

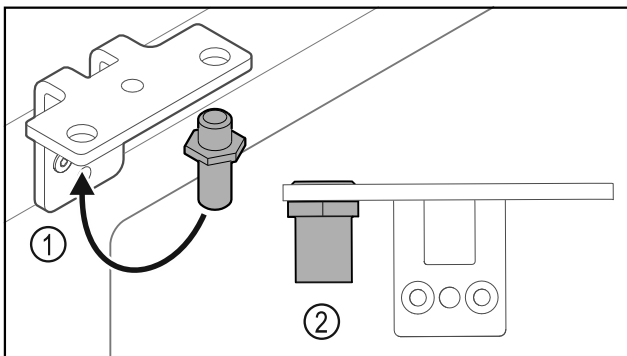


Fig. 31

- ▶ Put the pin back into the hinge Fig. 31 (1).
- ▶ Tighten the pin Fig. 31 (2) to a **torque of 12 Nm**.
- ▶ Unscrew the hinge again.

## NOTICE

Risk of injury due to tensioned spring!

- ▶ Do not disassemble the door closing system Fig. 32 (1).

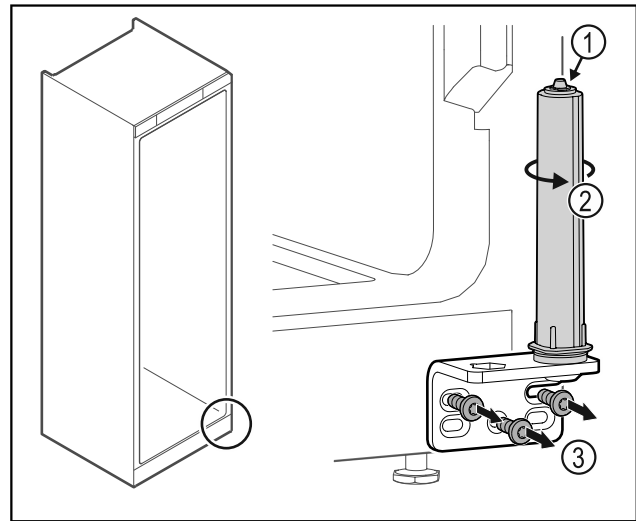


Fig. 32

- ▶ Turn the closing system Fig. 32 (2) until it clicks.
- ▶ The tension of the closing system is released.
- ▶ Unscrew the hinge Fig. 32 (3).

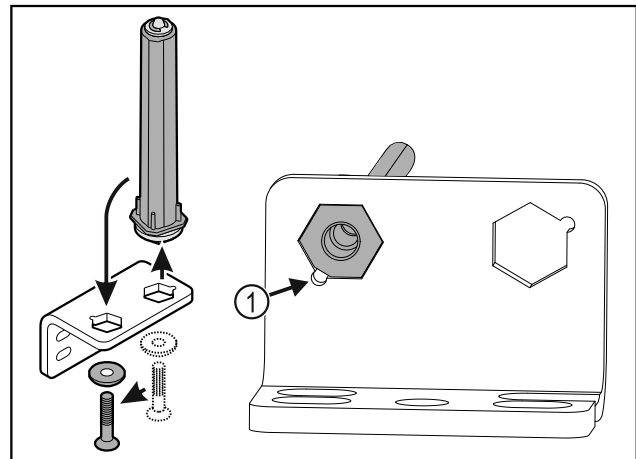


Fig. 33

- ▶ Put the door closing system in the hinge.
- ▶ Make sure the pin chamfer Fig. 33 (1) faces the round hole when you put it in.

-or-

## Note

Incorrect alignment of the height adjustment washers. Nuts no longer have sufficient hold.

- ▶ The washer must lock into the underside of the closing system.

# Reversing the door opening direction

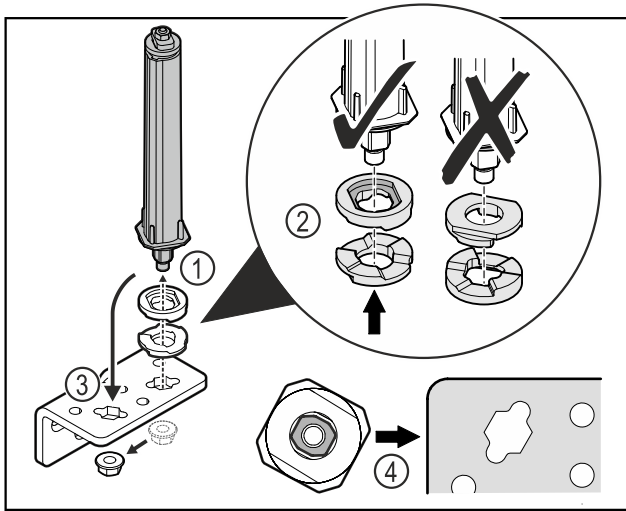


Fig. 34

- ▶ Loosen the nut and remove the door closing system Fig. 34 (1).
- ▶ Observe the correct alignment of the height adjustment washers Fig. 34 (2).
- ▶ Put the door closing system in the hinge fix in place with the nut Fig. 34 (3).
- ▶ Observe the correct alignment of the door closing system when doing so Fig. 34 (4).

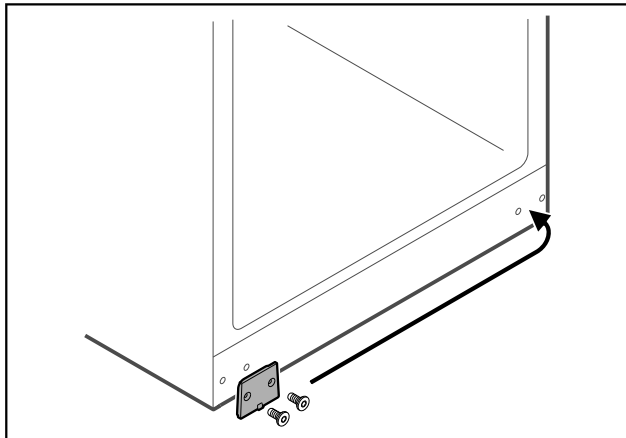


Fig. 35

- ▶ Put the cover plate on the opposite side.

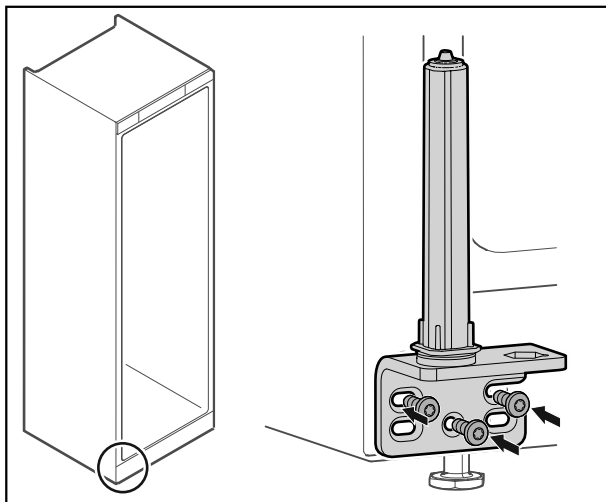


Fig. 36

- ▶ Screw the hinge onto the opposite side.

## Note

Correct alignment and tension are important for the closing system to work properly.

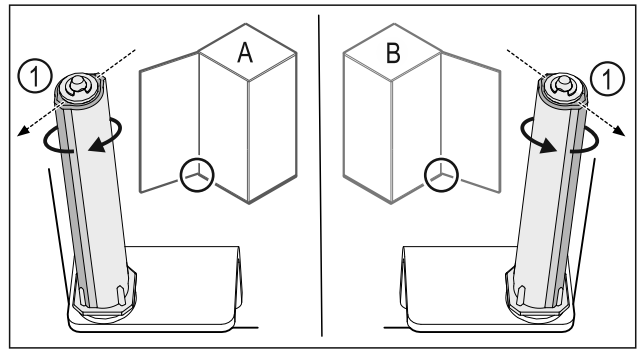


Fig. 37 Left-hinged (A) / Right-hinged (B)

- ▶ Turn the closing system against the resistance until the bar of the closing system Fig. 37 (1) points outwards.
- ▷ The closing system automatically stays in this position.
- ▷ The closing system is now aligned and pretensioned.

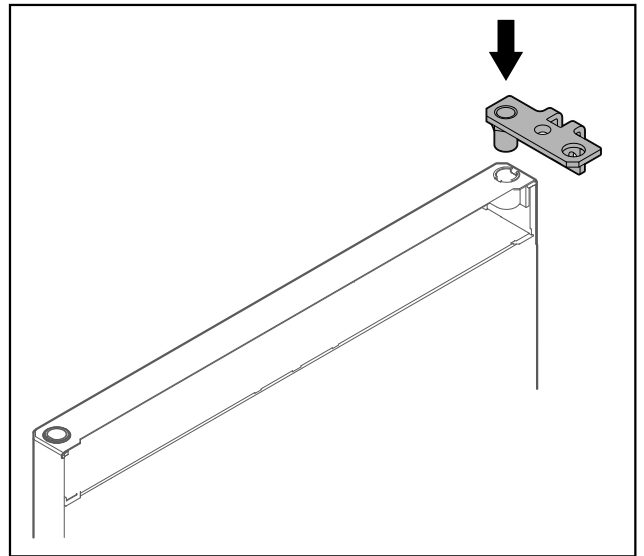


Fig. 38

- ▶ Put the hinge into the door.

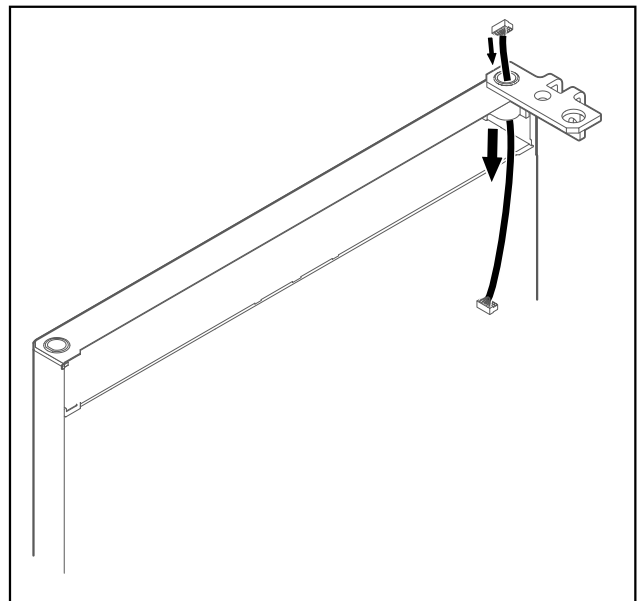


Fig. 39

- ▶ Carefully push the cable through.

# Reversing the door opening direction

## NOTICE

Risk of injury if the door tips out!

- ▶ Hold the door.

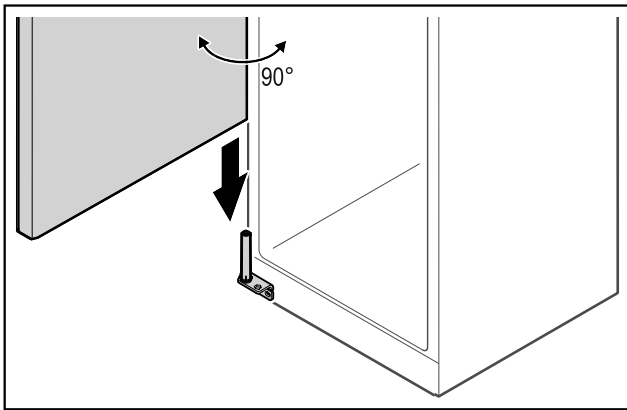


Fig. 40

- ▶ Together with a second person, lift the door from the ground.
- ▶ Carefully put the door on the closing system with the door opened at a 90° angle.

## NOTICE

Material damage due to incorrect mounting!

- ▶ Do not pinch the cable when mounting the hinge.

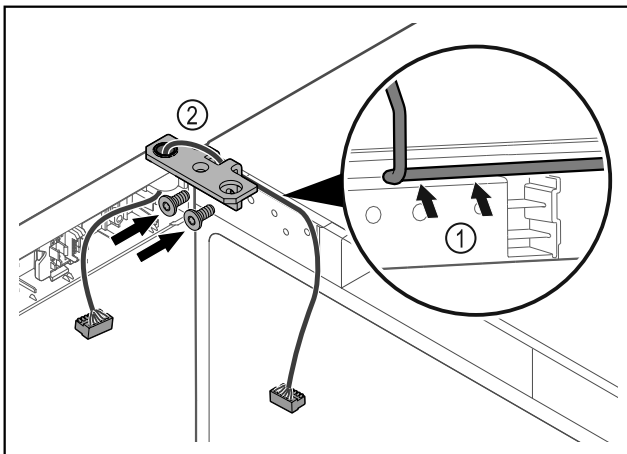


Fig. 41

- ▶ Feed the cable through the recess in the hinge and lay it carefully Fig. 41 (1).
- ▶ Screw on the hinge Fig. 41 (2).

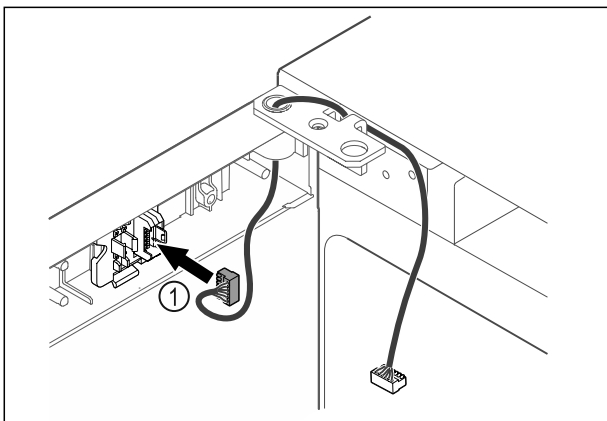


Fig. 42

- ▶ Put the plug Fig. 42 (1) in the plug holder.

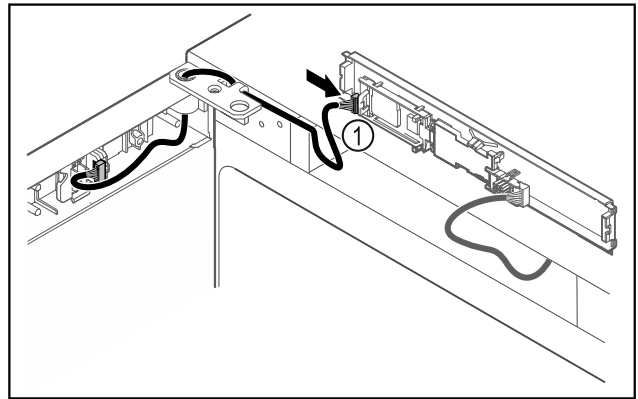


Fig. 43

- ▶ Connect the plug Fig. 43 (1) to the circuit board.

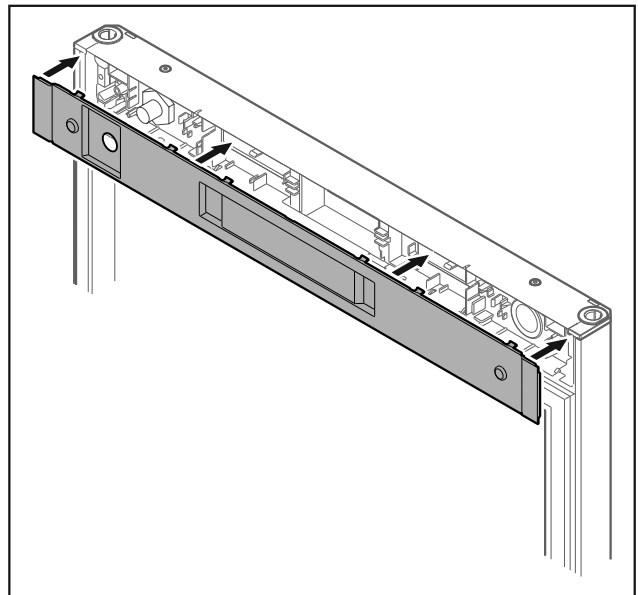


Fig. 44 \*

- ▶ Set the cover back in place.\*

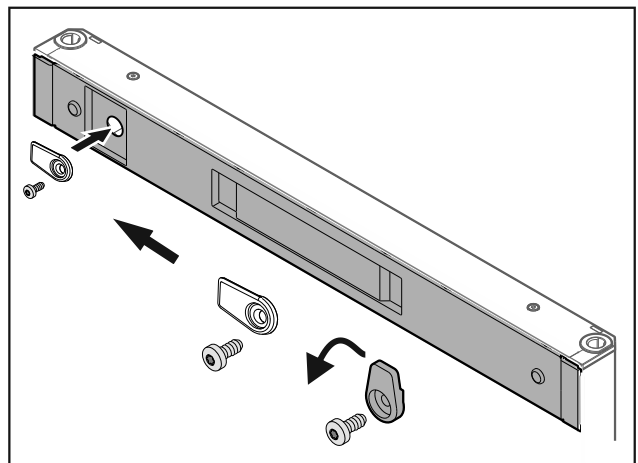


Fig. 45 \*

- ▶ Screw on the door latch.\*

# Aligning the door

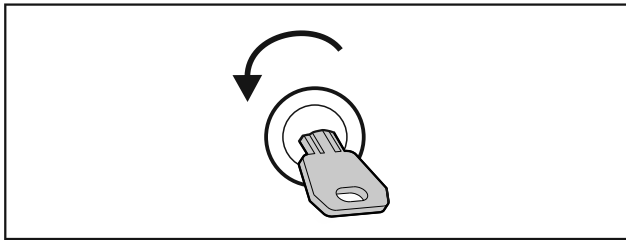


Fig. 46 \*

- ▶ Open the door.\*

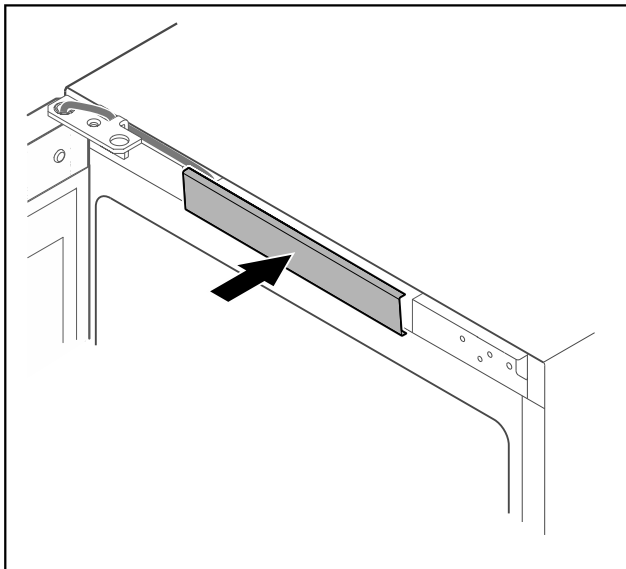


Fig. 47

- ▶ Snap in the middle cover.

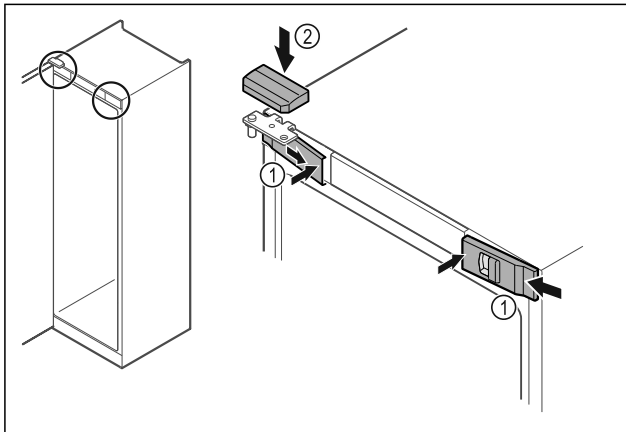


Fig. 48 \*

- ▶ Hook in the front covers Fig. 48 (1) on the side and snap them into place on the inside.\*
- ▶ Snap on the top cover Fig. 48 (2) from above.\*

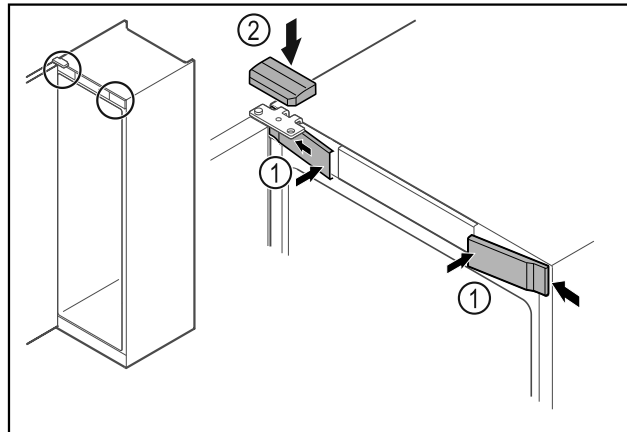


Fig. 49 \*

- ▶ Hook in the front covers Fig. 49 (1) on the side and snap them into place.\*
- ▶ Snap on the top cover Fig. 49 (2) from above.\*
- ▶ Close the door.
- ▷ The door has now been reversed.

## 15 Aligning the door

If the door is not straight, you can adjust it on the lower hinge.

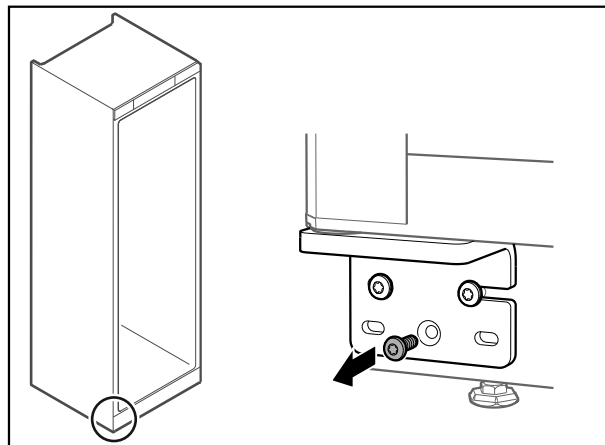


Fig. 50

- ▶ Remove the middle screw on the lower hinge.

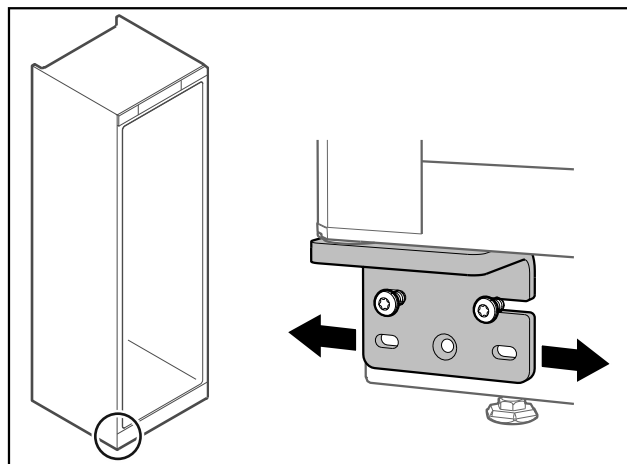


Fig. 51

- ▶ Slightly undo both screws and move the door with the hinge to the left or right.
- ▶ Fully tighten the screws (the middle screw is no longer needed).
- ▷ The door is now straight.

## 16 Connecting the appliance to the power supply

▷ Appliance is connected. For initial commissioning, see the next chapter or the operating instructions.



### WARNING

Danger of electric shock and injury due to damaged appliance or damaged mains cable!

Cuts and fatal injury. If the appliance or the mains cable is damaged during transport, you may be electrocuted. You could also cut yourself on damaged parts of the appliance housing.

- ▶ Check the appliance and the mains cable for damage after transport.
- ▶ Never put the appliance into operation if the appliance or the mains cable are damaged.
- ▶ Contact Customer Service.

You can connect your appliance to the mains using the power cable supplied separately. The mains power cable has an appliance coupler at one end and a mains plug at the other end.

Make sure that the following requirements are fulfilled:

- The appliance and power cable are undamaged.
- The appliance is set up in accordance with the regulations. (see 6 Removing the transport lock)
- Requirements for the electrical connection are met. (see 2 Setup conditions)
- Dimensions for connection in accordance with regulations are known and observed.
- Mains voltage and frequency correspond to the specifications on the type plate.
- The socket is grounded and fused in accordance with regulations.
- The tripping current for the fuse is between 10 A and 16 A.
- Outlet is easily accessible and is not behind the appliance.

### NOTICE

Danger of damage to incorrect operation!  
Damage to the electrical components of the appliance.

- ▶ Only use the supplied power cable.

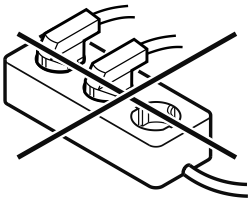


### WARNING

Danger of fire due to incorrect connection!  
Burns.

Damage to the appliance.

- ▶ Do not use an extension cord.
- ▶ Do not use a multipoint connector strip.

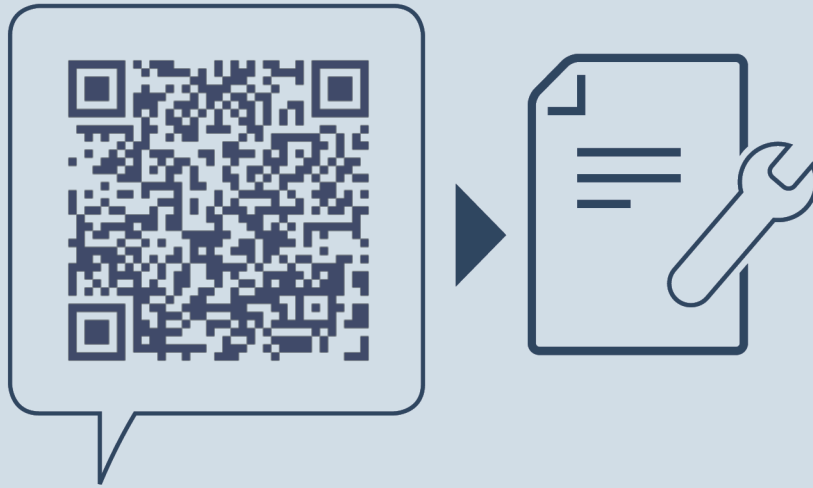


### NOTICE

Danger of damage to incorrect connection!  
Damage to the appliance.

- ▶ Do not connect the appliance to a stand-alone inverter, e.g. solar power systems and petrol generators.

- ▶ Connect the mains plug of the power cable to the power supply.
- ▷ The standby symbol appears in the display.
- ▷ If no action is taken within 60 seconds: Standby symbol fades or disappears.



[home.liebherr.com/fridge-manuals](https://home.liebherr.com/fridge-manuals)

**EN** Wine storage cabinet

Issue date: 20241022

**Part number index: 7083362-00**

Liebherr-Hausgeräte GmbH  
Memminger Straße 77-79  
88416 Ochsenhausen  
Deutschland