

LIEBHERR

Use and Care Manual

For Wine Cooler



MW 18.. / MW 24..
7085 984-00

TABLE OF CONTENTS

Table of Contents	Page
Please Read and Follow these Instructions	2
California Proposition 65.....	3
Disposal of Old Appliance	3
Disposal of this Appliance	3
Disposal of Packaging Material	3
Symbols on the device:.....	3
Important Safety Information	4
R600a Refrigerant.....	5
Electrical Safety	6
Safety Regulations.....	6
Description of the Appliance.....	7
Control Panel	8
Switching the Appliance On.....	8
Changing Language and Temperature Unit	8
Main Menu	9
Setting the Temperature	9
Fan	10
Presentation Light	10
SabbathMode	11
Switching the Appliance Off	11
Maintenance Message	12
Maintenance Confirmation.....	12
Setup Menu.....	13
SmartDeviceBox (Not Supplied in All Countries)	15
Description of the SmartDevice Displays	16
Alarm Messages	16
Storage Diagram.....	18
Equipment.....	19
Cleaning	21
Removing and Inserting the Wooden Shelves	21
Maintenance Menu	23
Maintenance	24
Additional Functions	26
Troubleshooting	29
Customer Service	29
Appliance Information	29

Please Read and Follow these Instructions

These instructions contain Danger, Warning, and Caution notes.

This information is important for safe and efficient installation and operation.

Always read and comply with all Danger, Warning, and Caution notes!



Danger indicates a hazard which will cause serious injury or death if precautions are not followed.



Warning indicates a potentially hazardous situation which, if not avoided, could result in death or serious injury.



Caution indicates a potentially hazardous situation which, if not avoided, may result in minor or moderate injury.

IMPORTANT

This indicates information that is especially relevant to a problem-free installation and operation.

IMPORTANT

All types and models are subject to continuous improvement. The manufacturer reserves the right to make modifications to the shape, equipment, and technology.

California Proposition 65

- This product contains chemicals known to the state of California to cause cancer or reproductive harm.
- This product can expose you to chemicals including Diisononyl Phthalate (DINP) which is known to the State of California to cause cancer. For more information go to www.P65Warnings.ca.gov.
- This product can expose you to chemicals including Diisodecyl Phthalate (DIDP) which is known to the State of California to cause birth defects or other reproductive harm. For more information go to www.P65Warnings.ca.gov.

Disposal of Old Appliance



DANGER!

Risk of child entrapment.

Child entrapment and suffocation are not problems of the past.

Junked or abandoned refrigerators are still dangerous – even if they will sit for “just a few days.”

If you are getting rid of your old refrigerator, please follow these instructions to help prevent accidents.

Before you discard old appliances:

- **Take off the doors.**
- **Leave the shelves in place so that children may not easily climb inside.**
- **Cut off the power cord from the discarded appliance. Discard separately from the appliance.**
- **Be sure to follow your local requirements for disposal of appliances.**

Contact the trash collection agency in your area for additional information.

Disposal of this Appliance

This appliance contains flammable gases within the refrigeration circuit and insulation foam.

Contact the municipality or disposal company in your area for information on approved recycling or disposal.

Disposal of Packaging Material

The packaging is designed to protect the appliance and individual components during transport and is made of recyclable materials.



WARNING!

Keep packaging materials away from children. Polythene sheets and bags can cause suffocation!

If possible, please recycle packaging material at a recycling facility.

Symbols on the device:

	<p>The symbol can be on the compressor. It refers to the oil in the compressor and refers to the following danger: Can be lethal if swallowed or inhaled. This notice only applies for recycling. There is no danger during normal operation.</p>
	<p>The symbol is located on the compressor and indicates the danger of inflammable materials. Do not remove the label.</p>
	<p>This label or a similar one may be located on the rear of the appliance. This label indicates that there are vacuum insulation panels (VIP) or perlite panels in the door and/or housing. This notice only applies for recycling. Do not remove the label.</p>

Important Safety Information

- **WARNING:** Keep ventilation openings, in the appliance enclosure or in the built-in structure, clear of obstruction.
- **WARNING:** Do not use mechanical devices or other means to accelerate the defrosting process, other than those recommended by the manufacturer.
- **WARNING:** Do not damage the refrigerant circuit.
- **WARNING:** The power cord must not be damaged while installing the appliance.
- **WARNING:** Multi-sockets or distributor strips and other electronic devices (such as halogen transformers) must not be positioned and operated at the rear of appliances.
- **WARNING:** Danger of injury through electric shock! There are live parts under the cover. Only have the interior LED light replaced or repaired by customer service staff or trained personnel.
- **WARNING:** Risk of injury from the LED lamp. The light intensity of the LED light complies with laser class RG 2. If the cover is defective, do not look directly at the light through optical lenses from close distance. This may damage your eyes.
- **WARNING:** This appliance must be secured as described in the Use and Care Manual (Installation Instructions) to rule out any potential risks due to its instability.
- **WARNING:** Do not use electrical appliances inside the food storage compartments of the appliance, unless they are of the type recommended by the manufacturer.
- Any repairs and work on the appliance should only be performed by the customer service department. Unauthorized work may be dangerous to the user. The power source cable should only be changed or replaced by the customer service department. Component parts and power cords shall be replaced with like components performed by factory authorized service personnel only.
- Do not stand on the toe kick, drawers or doors or use them to support anything else.
- This appliance is not intended for use by persons (including children) with reduced physical, sensory or mental capabilities or lack of experience and knowledge unless they have been given initial supervision or instruction concerning use of the appliance by a person responsible for their safety. Children should be supervised to ensure that they do not play with the appliance.
- Do not store explosive substances such as aerosol cans with a flammable propellant in this appliance.
- To prevent injury and damage to property, the appliance should only be installed by two people.
- Check the appliance for signs of damage after unpacking. Contact the supplier if it is damaged. Do not connect the appliance to the mains power supply.
- Avoid prolonged skin contact with cold surfaces (e.g., chilled/frozen products). If necessary, take safety action (e.g., gloves).
- Do not consume food which has been stored

for too long; it could cause food poisoning.

- Any repairs and work on the appliance should only be performed by the customer service department or other trained personnel. The same applies to changing the power cord.
- Only perform repair and other work on the appliance when the plug has visibly been disconnected.
- Only install, connect, and dispose of the appliance as described in this Use and Care Manual.
- In the event of a fault, pull out the plug or switch off the fuse.
- When disconnecting the appliance from the power source, pull it out by the plug, never pull on the cable.
- If you have a lockable appliance, do not keep the key near the appliance or within reach of children.
- The appliance is designed for use in enclosed rooms. Do not operate the appliance outdoors or in areas where there is moisture or splashing water.
- Do not use the interior LED light to light the room. The interior LED light is only designed to illuminate the interior of the appliance.
- Do not allow naked flames or ignition sources to enter the appliance.
- Alcoholic drinks or other vessels containing alcohol should be sealed tightly for storage.

R600a Refrigerant



WARNING

The refrigerant R600a contained within the appliance is environmentally friendly, but flammable. Leaking refrigerant can ignite.

Electrical Safety

Connect this appliance to a 15 amp or 20 amp, 110-120 VAC, circuit which is grounded and protected by a circuit breaker or fuse.

We recommend using a dedicated circuit for this appliance to prevent circuit overload and the chance of interruption to the appliance.


This appliance is equipped with a three-prong (grounding) polarized plug for your protection against possible shock hazards.

Where a two-prong wall receptacle is encountered, contact a qualified electrician and have it replaced with a properly grounded three-prong receptacle in accordance with all local codes and ordinances.

WARNING!

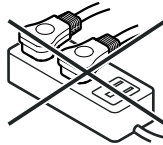
Electrocution hazard.

Electrical grounding required.

- Do not remove the round grounding prong from the plug. 
- Do not use extension cords or ungrounded (two prong) adapters.
- Do not use a power cord that is frayed or damaged.



- Do not use a power strip. 



Failure to follow these instructions may result in fire, electrical shock or death.

Safety Regulations

This appliance is intended to be used in household and similar applications.

This includes, for example, use

- in staff kitchenettes, bed and breakfast establishments,
- by guests in cottages, hotels, motels and other forms of accommodation,
- in catering and similar services in the wholesale trade.

IMPORTANT

The appliance is not intended for outdoor use.

The appliance is manufactured to operate within specific ambient temperature limits according to its climate rating.

The climate rating indicates the ambient temperature at which the appliance may be operated in order to achieve full refrigeration performance.

Climate Rating	Ambient Temperature
SN-ST	50°F to 100°F (10°C to 38°C)

IMPORTANT

Do not operate the appliance outside the specified ambient temperature range.

- The refrigerant circuit has been tested for leaks.
- The appliance complies with current safety regulations

CAN/CSA C22.2 No. 60335-2-24 / UL 60335-2-24
CAN/CSA C22.2 No. 60335-1 / UL 60335-1

We recommend cleaning the appliance before turning it on for the first time. See **Cleaning**.

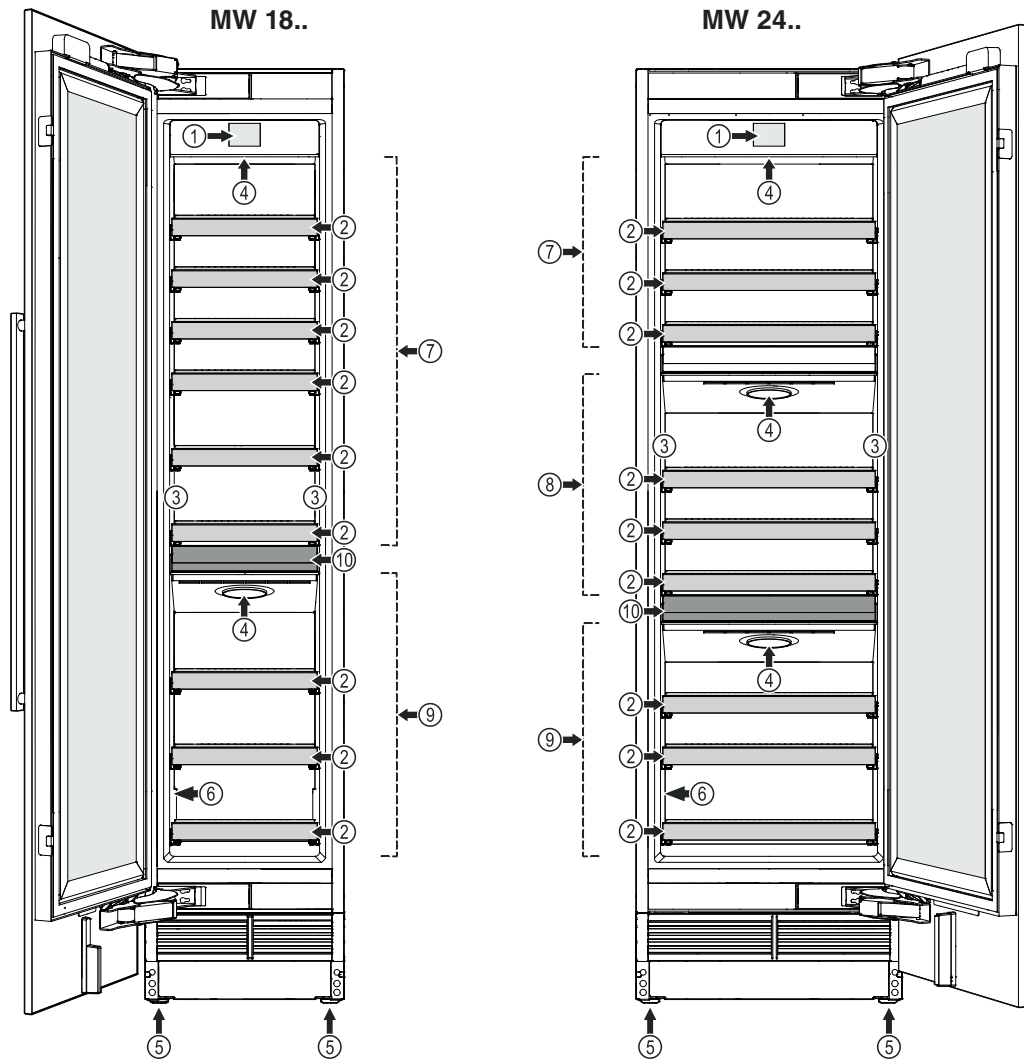
Turn on the appliance several hours before loading it.

WARNING!

Do not allow children to play with the appliance. Children must not climb, sit or stand on the shelves or door.

Failure to follow these instructions may result in death or serious injury.

Description of the Appliance

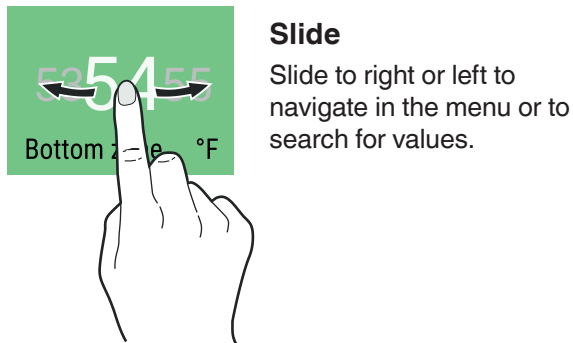
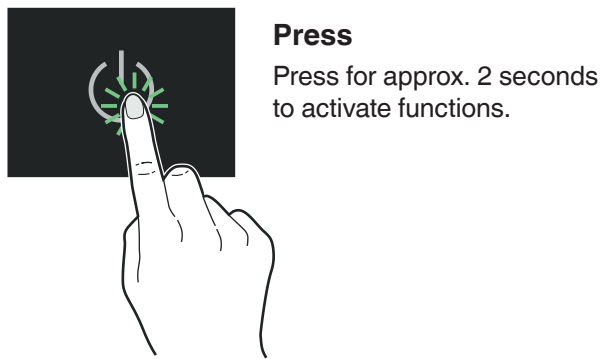
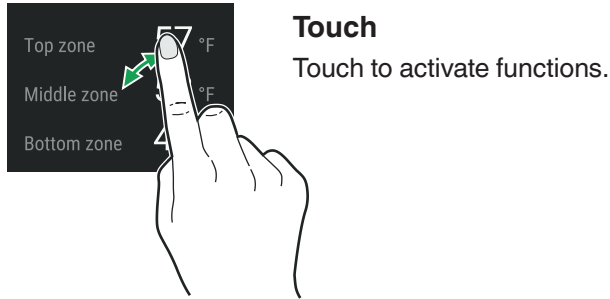


- (1) Control panel
- (2) Pull-out shelf
- (3) Presentation light
- (4) Air filter
- (5) Adjustable-height feet

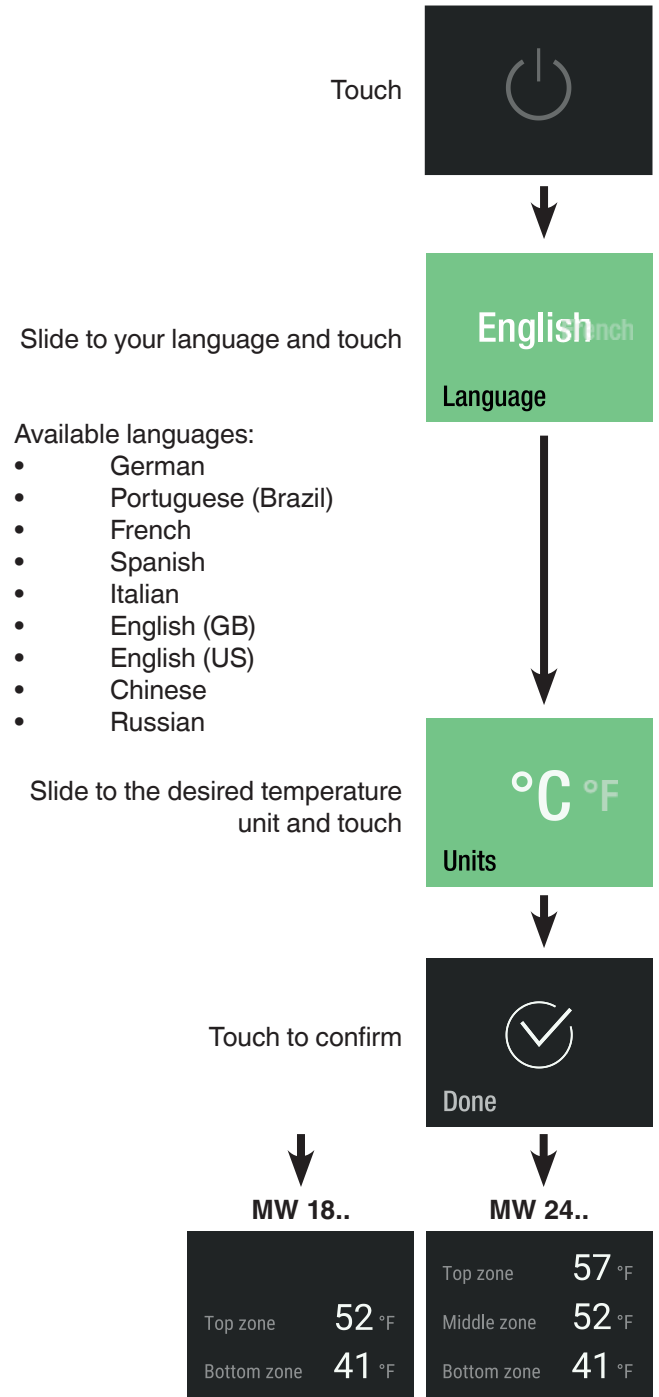
- (6) Model plate
- (7) Top zone
- (8) Middle zone (MW 24.. only)
- (9) Bottom zone
- (10) Serving shelf

Control Panel

Three different actions to operate the control panel.



Switching the Appliance On



Changing Language and Temperature Unit

For future changes of language and temperature unit, the appliance must be switched off and on again (customer settings will not be deleted).

Main Menu

Slide through the main menu. The following functions are available.

57 °F
Top zone


Temperature display for top zone and temperature setting.

52 °F
Middle zone


Temperature display for middle zone and temperature setting (MW 24.. only).

41 °F
Bottom zone


Temperature display for bottom zone and temperature setting.


Fan


Switching the fan on and off.



Presentation light

Adjusting the presentation light brightness.



SabbathMode

Appliance operating mode for Sabbath and holidays. Complies with STAR-K Kosher Certification.


Switching the appliance on or off.


Maintenance

Describes how to replace the filters and clean the dust filter.


Setup

Allows the adjustment of display brightness and includes the appliance information (service number, model name, serial number).

Setting the Temperature

The standard setting is 54°F (all zones). The various zones can be adjusted independently of each other.


Slide to the required zone.
Touch

41 °F
Bottom zone

Slide to the desired target temperature and touch

45**46**47
Bottom zone °F

The number flashing at the bottom right shows the actual interior temperature. It disappears when the target temperature is reached.

46 °F
Bottom zone 

Close the appliance door.

MW 18..

Top zone **52** °F
Bottom zone **41** °F

Display when the door is opened again.

MW 24..

Top zone **57** °F
Middle zone **52** °F
Bottom zone **41** °F

The temperature display will flash if the actual interior temperature differs from the target temperature. It will stop flashing when the target temperature has been reached.

If you place a large quantity of unchilled wine in the appliance, the set temperature differential may be active for a lengthy period (up to 24 hours) before the set temperature is reached.

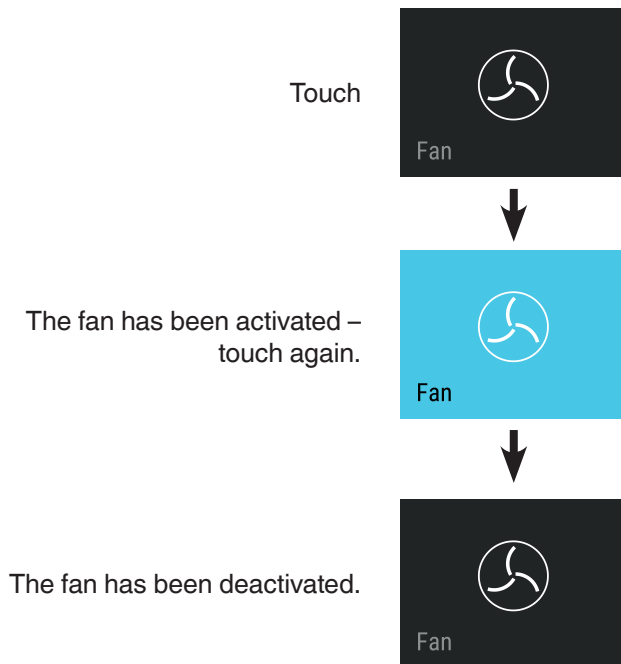
The temperature can be set between 41°F and 68°F.

Fan

The interior fan ensures a constant and even interior temperature, and a suitable climate for wine storage.

Switching on the fan (all zones) will further increase the humidity in the appliance, which has a particularly positive effect for long-term storage.

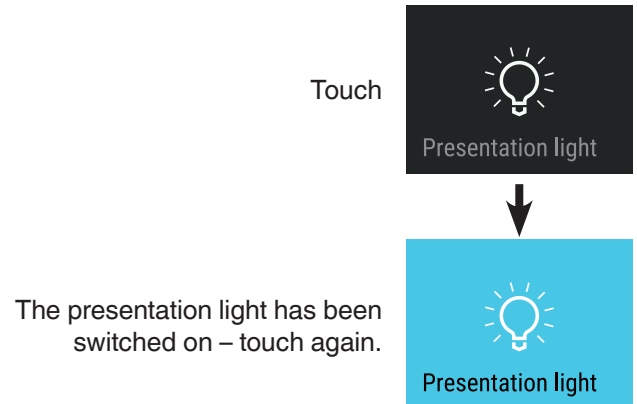
The increased level of humidity prevents the corks from drying out.



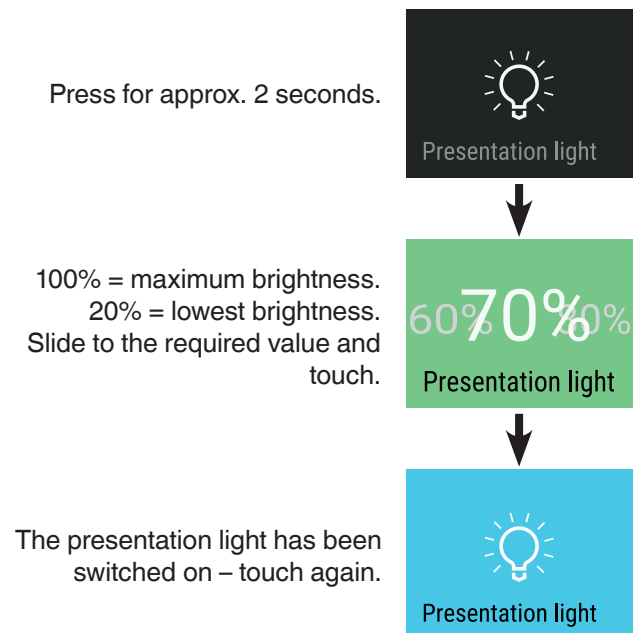
Presentation Light

The presentation light is located on the left and right of the compartment. The presentation light will be switched on when the door is closed.

Switching on the Presentation Light



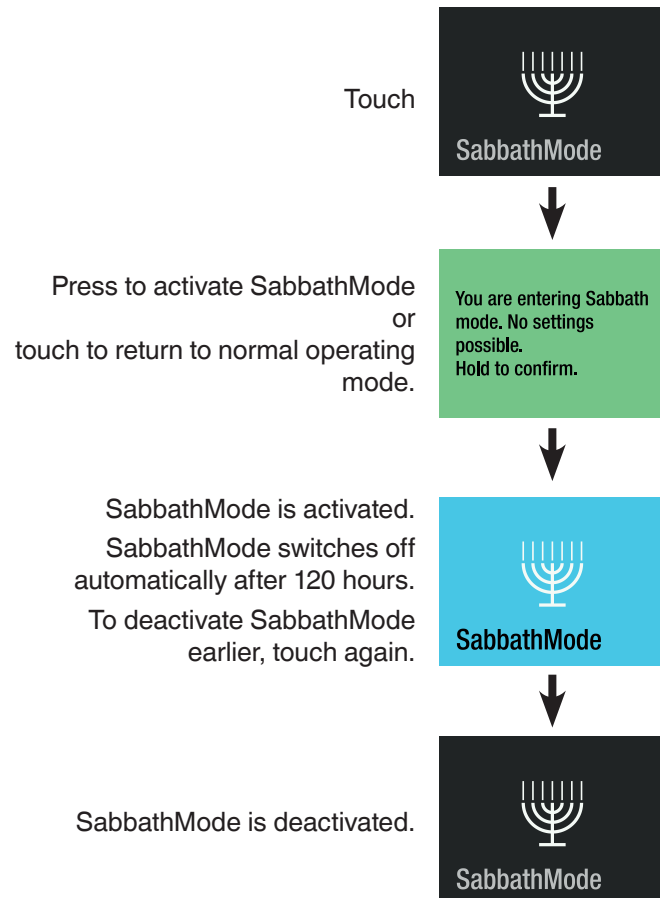
Adjusting the Brightness of the Presentation Light



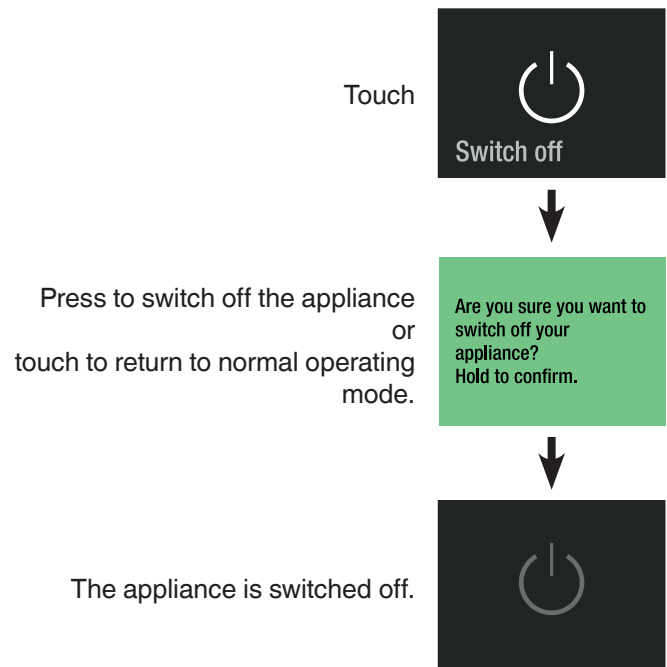
SabbathMode

When SabbathMode is active, some functions of the electronic features are switched off to comply with STAR-K Kosher Certification.

- The lighting remains off.
- There is no door alarm.
- There is no temperature alarm.
- The unit will return to SabbathMode after a power failure.

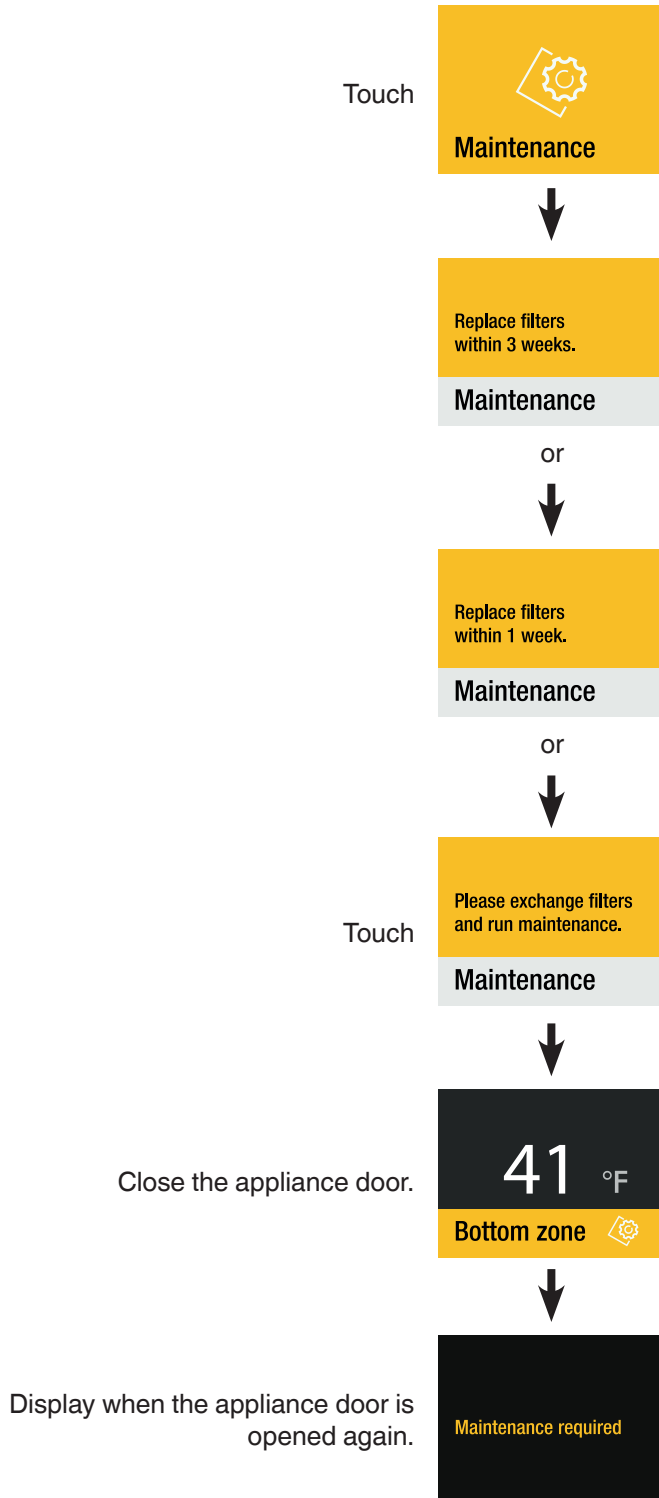


Switching the Appliance Off



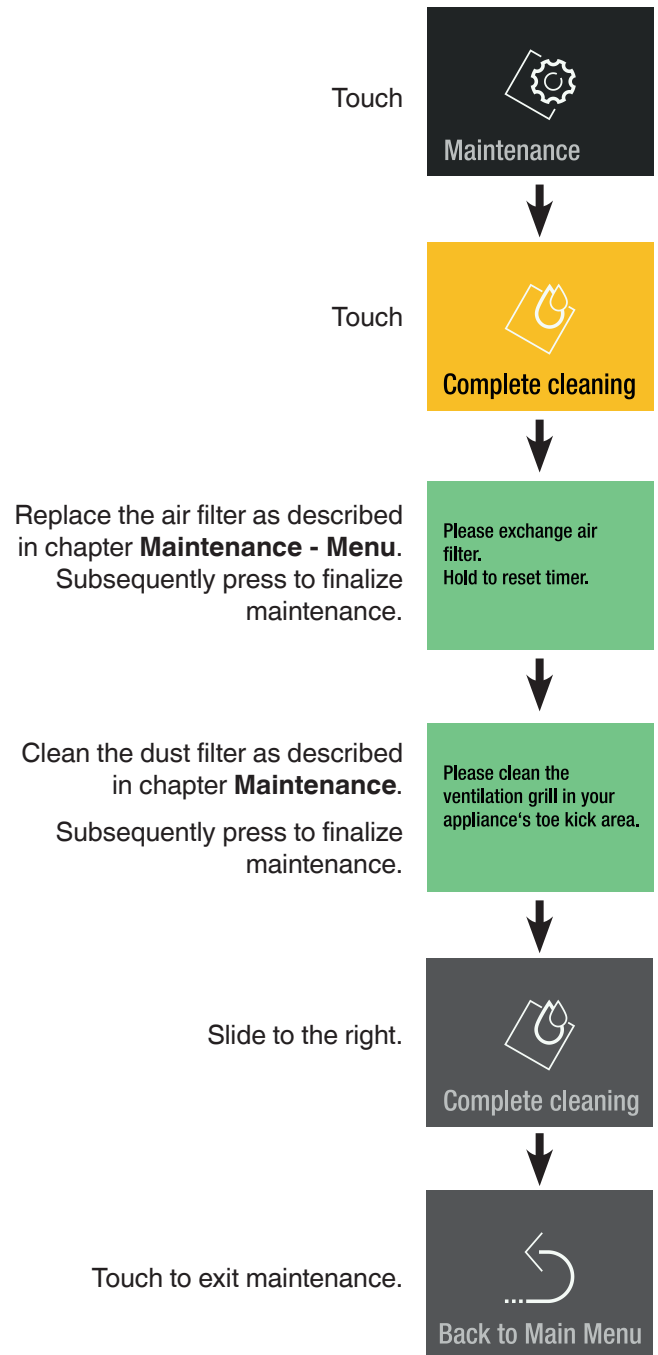
Maintenance Message

The maintenance message will sound at regular intervals while the appliance is operating (6 months). The dust filter requires cleaning.



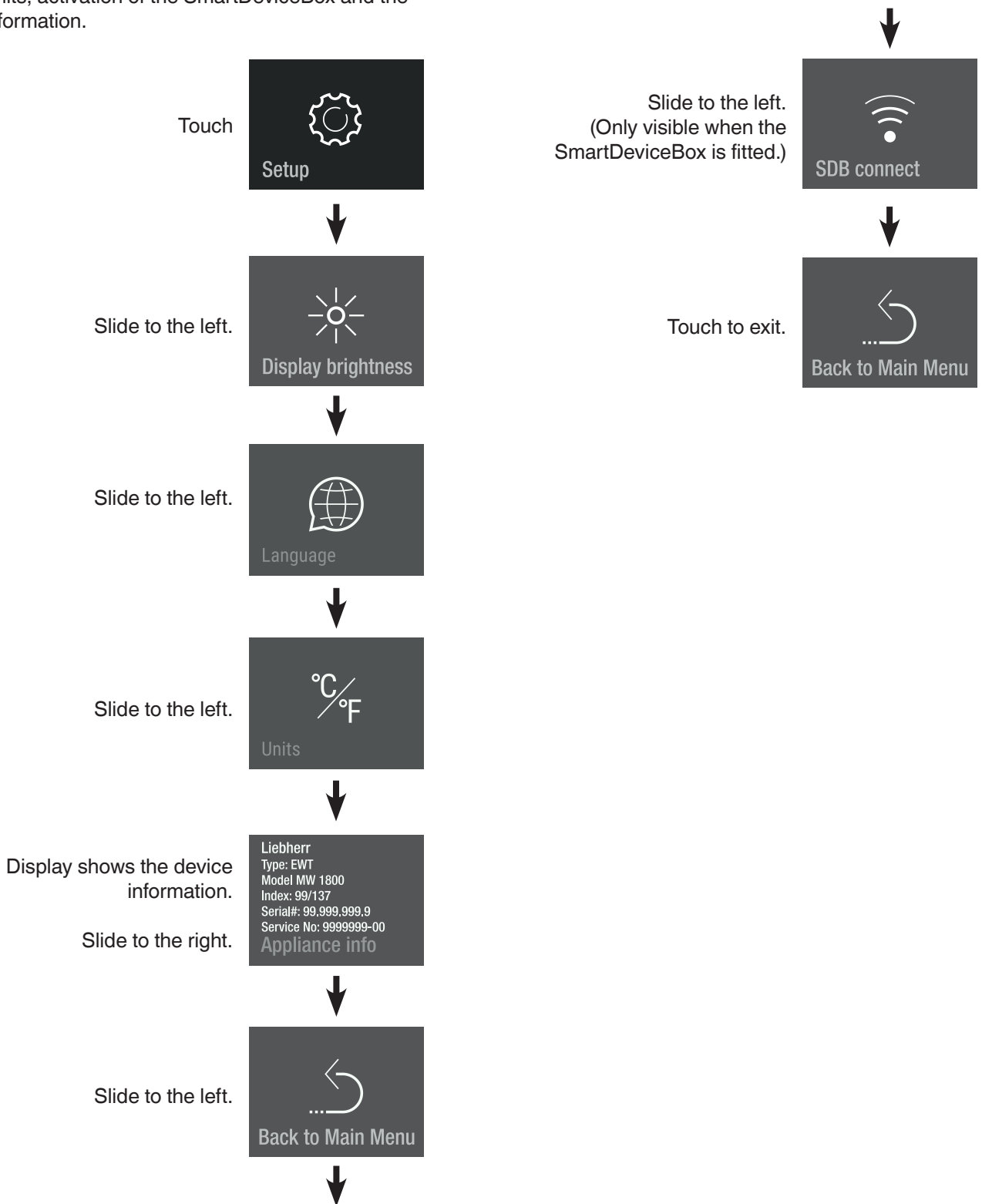
Obtain air filter from your dealer and complete the maintenance procedure.

Maintenance Confirmation

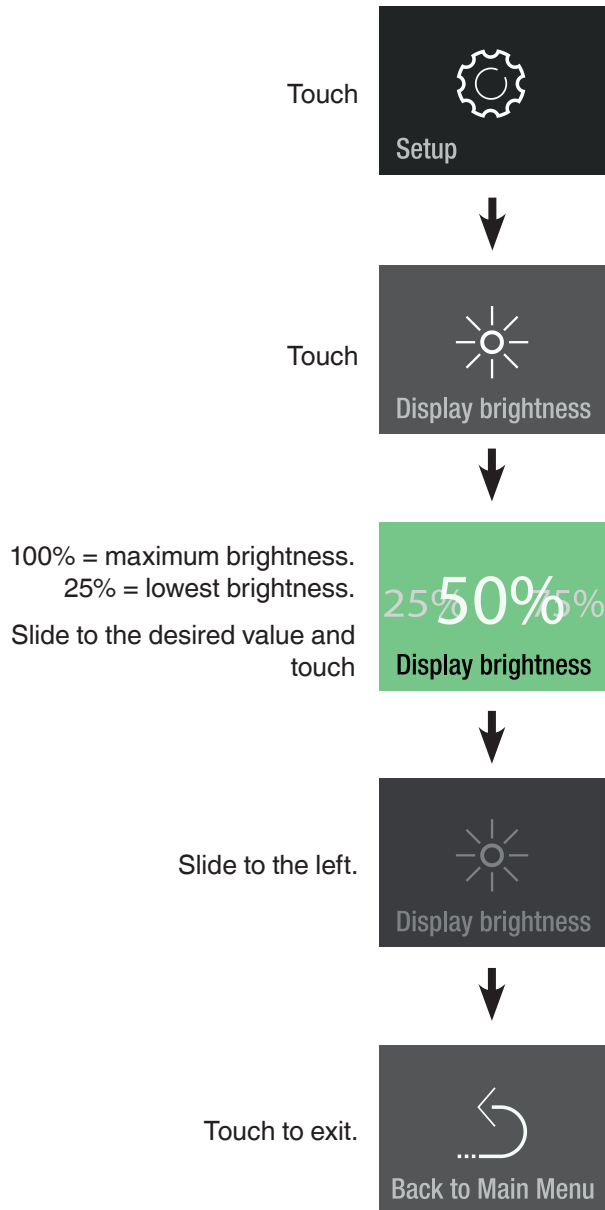


Setup Menu

Includes the adjustment for display brightness, language, units, activation of the SmartDeviceBox and the device information.



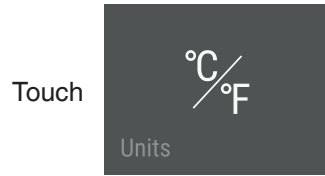
Display Brightness



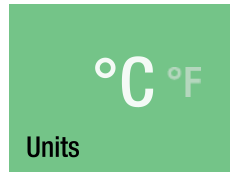
Language



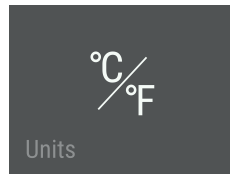
Units



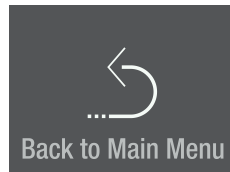
Slide to the desired temperature unit and touch



Slide to the left.



Touch to exit.

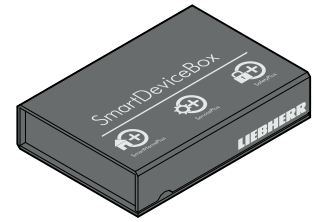


SmartDeviceBox (Not Supplied in All Countries)

The appliance is ready for integration into a smart home and for extended services.

Other options can be selected with a SmartDeviceBox.

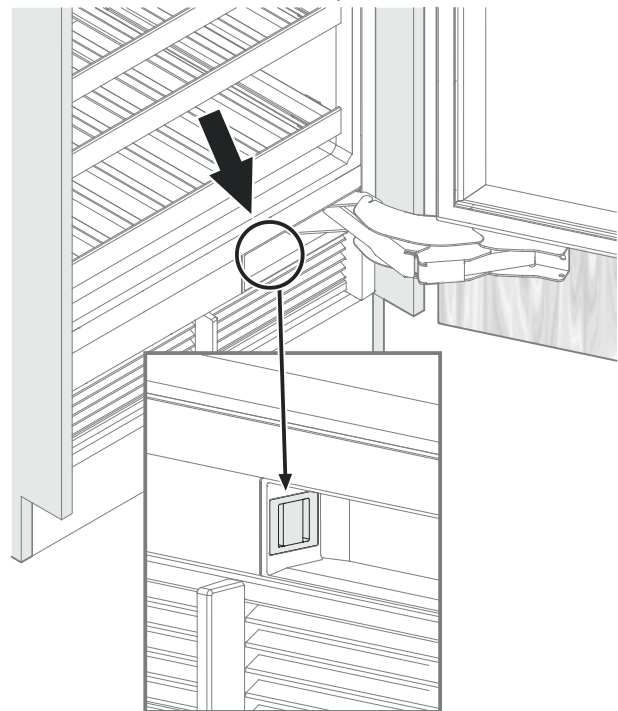
This is activated via the MyLiebherr customer portal.



You will find more information about availability and prerequisites and the individual options on the website www.smartdevice.liebherr.com/info.

Download the “SmartDevice App” to your smartphone.

Start the app on your smartphone and follow the instructions.



SmartDevice functions are not available in all countries.

Description of the SmartDevice Displays

SmartDeviceBox is inserted.

Hold to configure now.

SDB inserted

Display to start the WLAN connection.



SDB connect

The symbol flashes.

Connection to WLAN is in progress.



SDB connecting

The router credentials are displayed.

Router_0123456789
01234567890123456

Connecting to:

Appliance is connected to WLAN.



SDB Connected

Connection reset

Reset SDB connection?
Hold to reset

This message informs you of any router or Internet problems.



No connection

Alarm Messages

Door Open Alarm

Door has been left open for longer than about 180 seconds.



Close the door

Action

Close the appliance door.

Temperature Alarm

Touch



Temperature alarm



The interior temperature was too high or to low.

Temperature in Top zone had reached 68°F.

Touch

Temperature alarm

(Touch again if other alarms are active)



Touch

Temperature alarm



Action

Check the quality of the stored items.

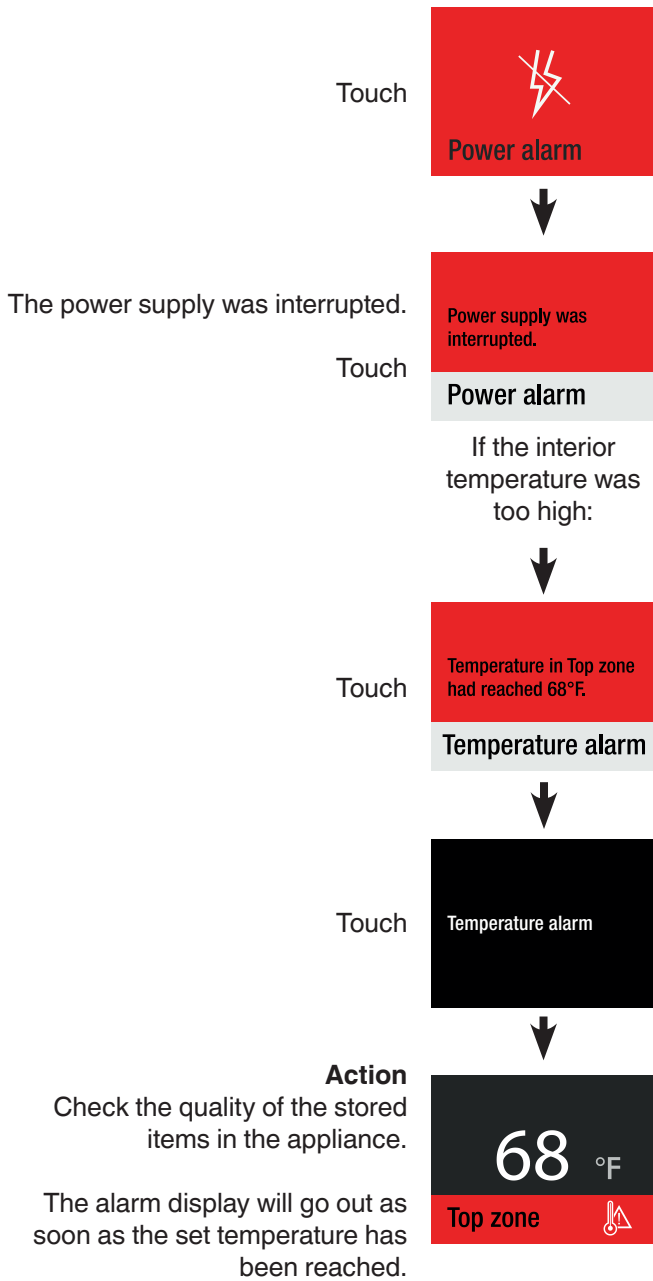
68 °F

The alarm display will go out as soon as the set temperature has been reached.

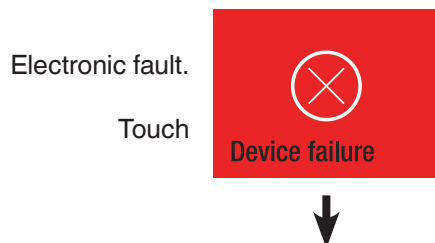
Top zone



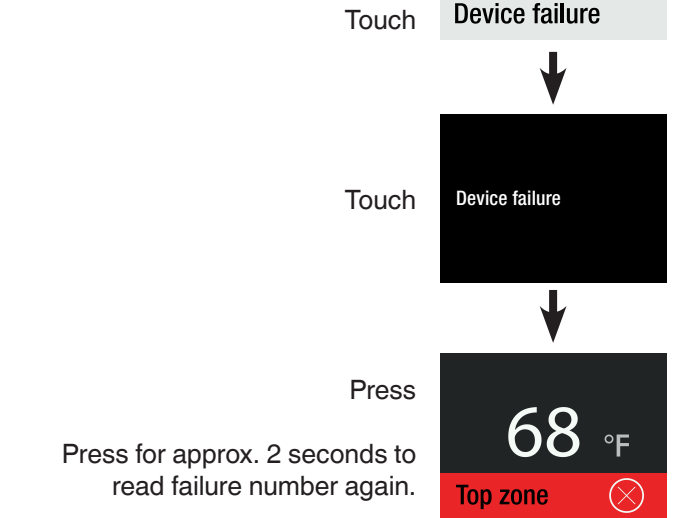
Power Alarm



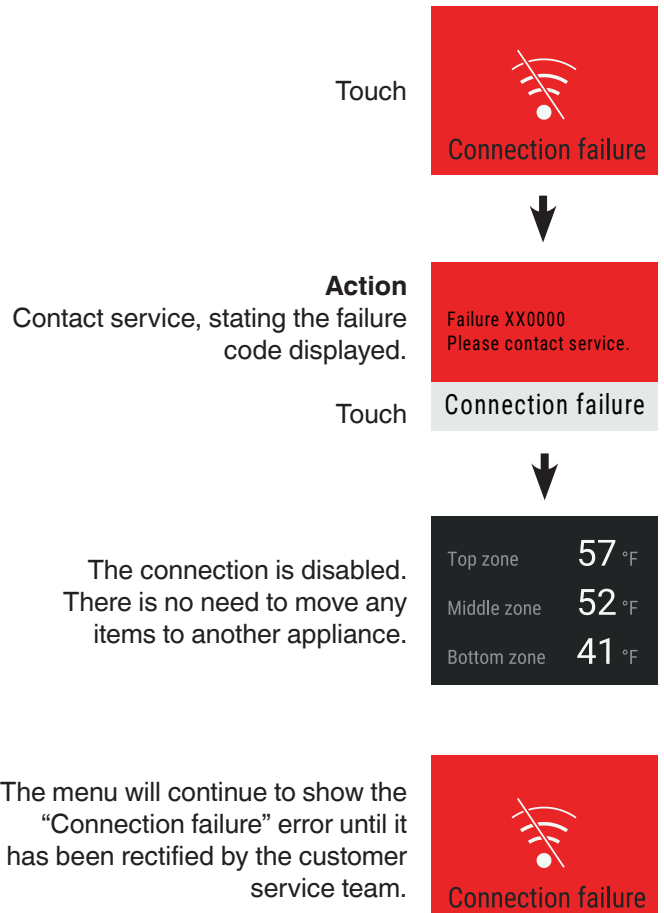
Electronic Fault Alarm



Action
Contact service, stating the failure code displayed.



Connection Failure

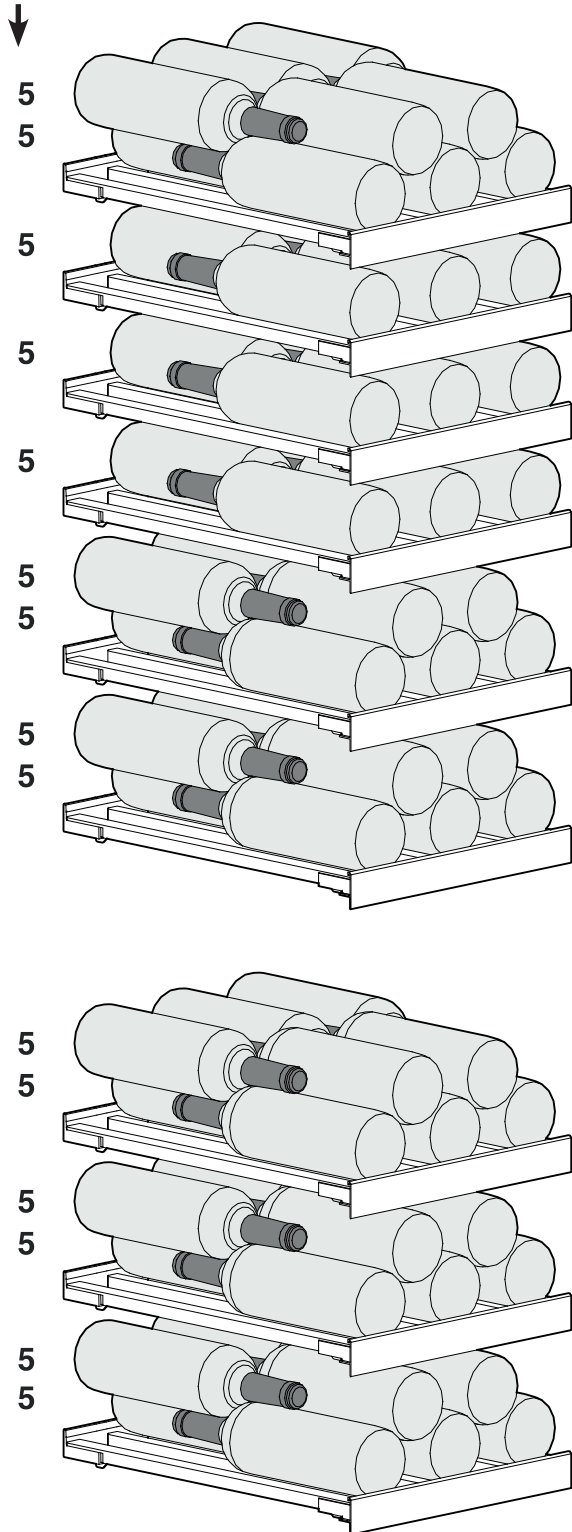


WINE COOLER COMPARTMENT

Storage Diagram

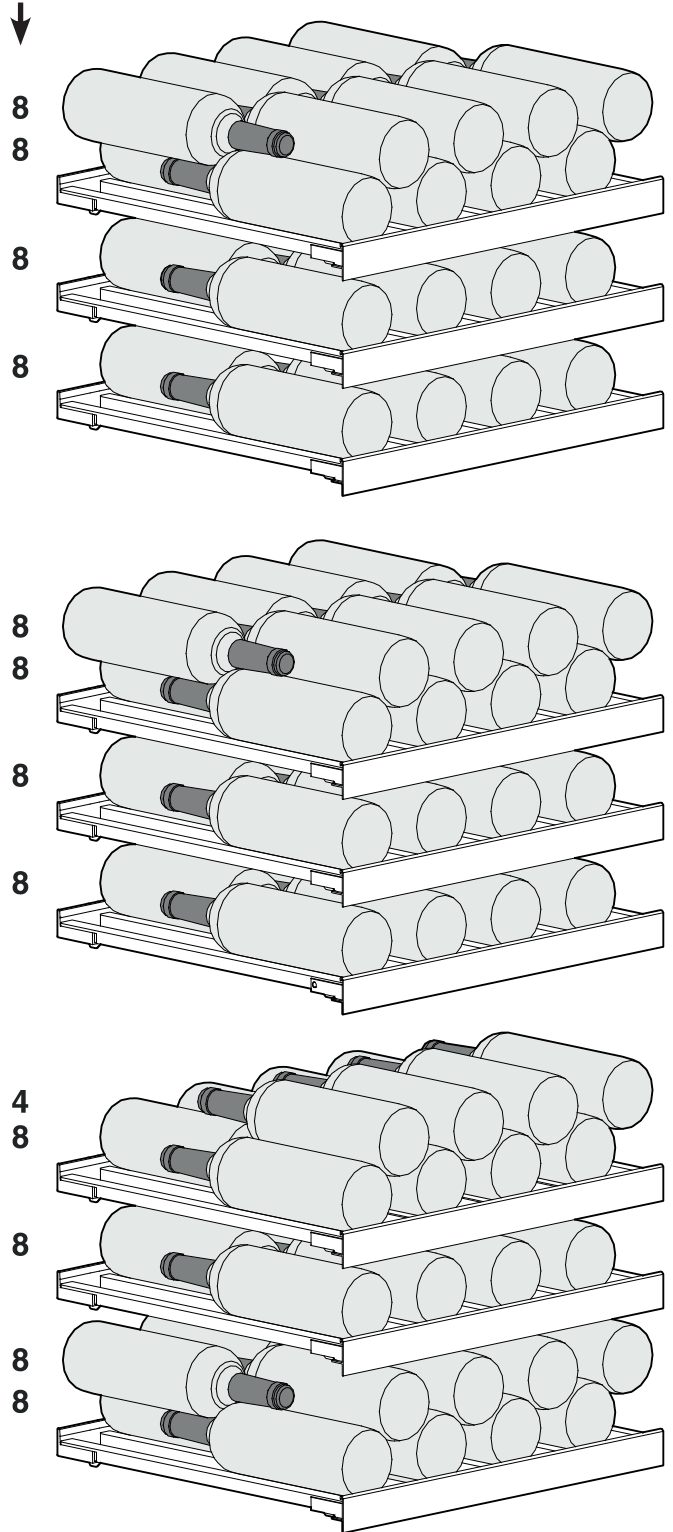
for 0.75 l Bordeaux bottles to standard NF H 35-124

MW 18..
Number of bottles



Total 75 bottles

MW 24..
Number of bottles



Total 100 bottles

IMPORTANT

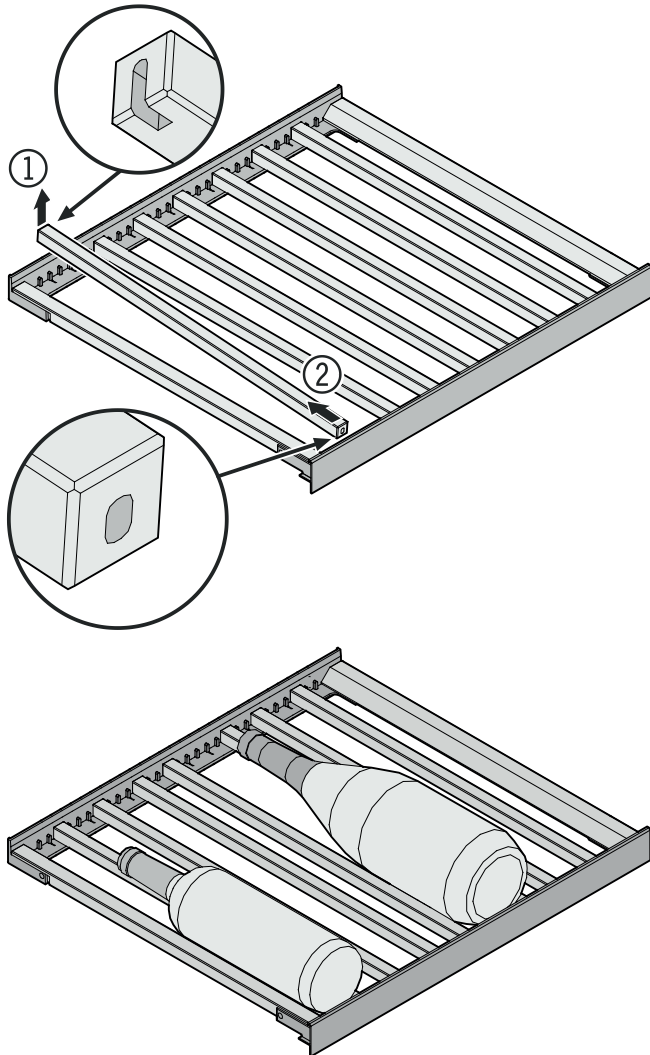
The maximum load per wooden shelf is 44 lbs (20 kg).

Equipment

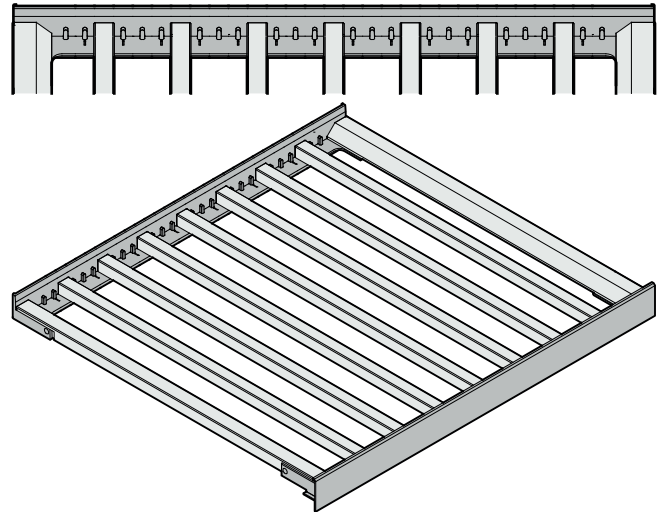
Pull-out Shelf

The bars can be removed and repositioned to store larger or smaller bottles.

Raise the bar at the rear (1) and pull it out (2).



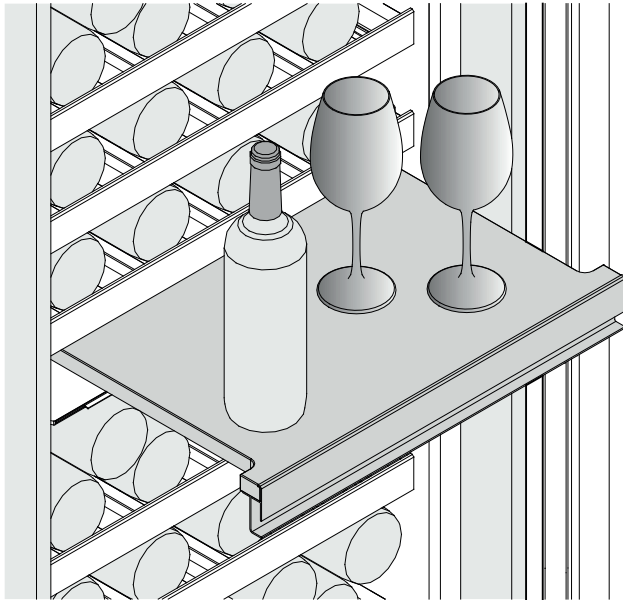
Bar Configuration for Maximum Number of Bottles



WINE COOLER COMPARTMENT

Serving Shelf

The serving shelf can be pulled out to provide a surface to hold bottles and glasses.

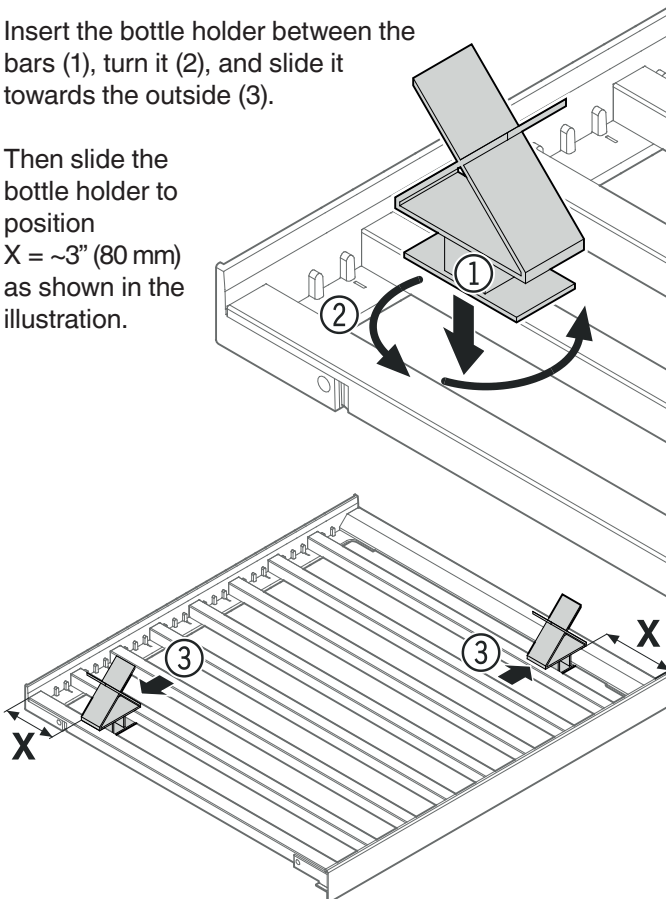


Bottle Holder

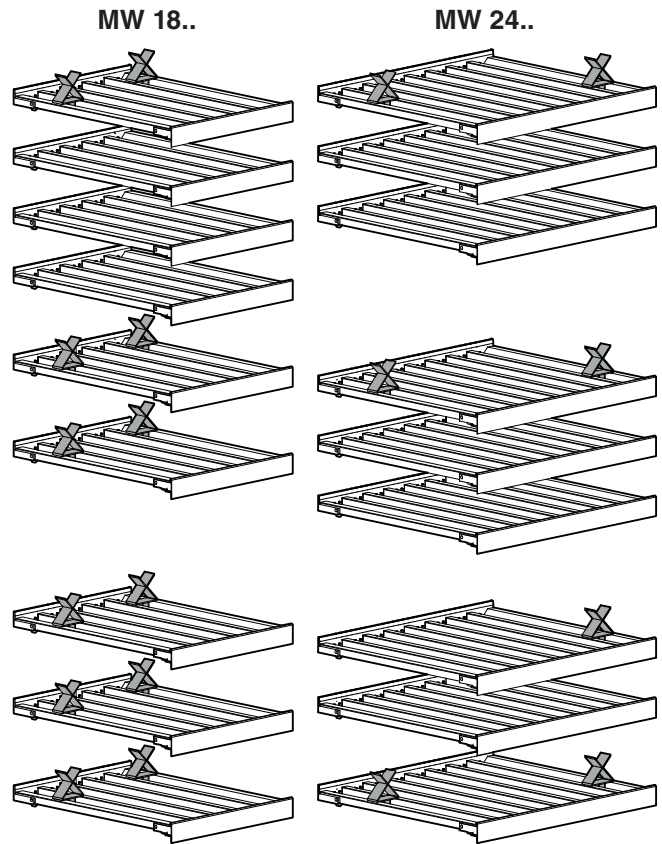
Insert the supplied bottle holders to house the maximum number of bottles.

Insert the bottle holder between the bars (1), turn it (2), and slide it towards the outside (3).

Then slide the bottle holder to position $X = \sim 3''$ (80 mm) as shown in the illustration.



Positioning the bottle holder for the maximum number of bottles:



Cleaning

WARNING!

Before cleaning, always disconnect the appliance from the power source. Pull out the plug or switch off the fuse!

If the door is left open for a lengthy period, the temperature in the appliance's compartments may rise dramatically.

- Clean the interior, equipment, and external walls using lukewarm water and a little detergent. Never use chemical solvents or cleaning products which contain sand or acid.
- Use a glass cleaner to clean the glass surfaces, and a conventional stainless steel cleaning product for stainless steel surfaces.

CAUTION!

Risk of damage to the appliance components and risk of injury due to hot steam.

Do not use steam cleaning equipment to clean the appliance!

- Make sure that no water gets into the electrical parts or the ventilation grille.
- Dry everything well with a cloth.
- Do not damage or remove the model plate on the inside of the appliance – it is important for customer service purposes.

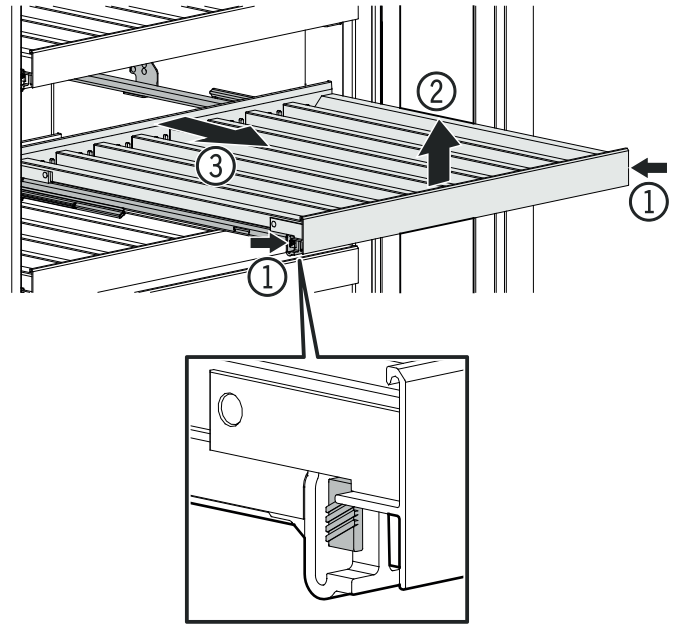
If the appliance is left empty for a lengthy period, it must be switched off, defrosted, cleaned, and dried, and the door is to be held open to prevent mold formation.

Removing and Inserting the Wooden Shelves

The wooden shelves can be removed for easier cleaning of the inside of the appliance.

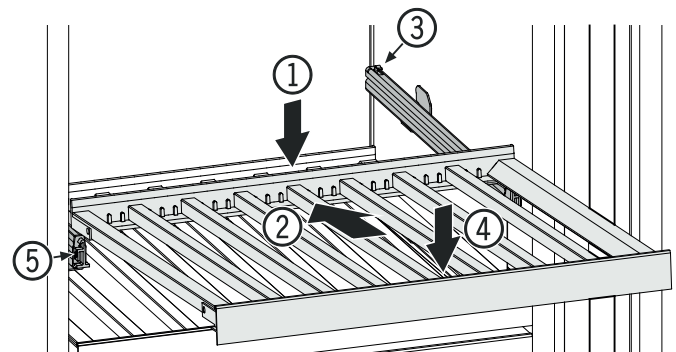
Removing the Wooden Shelf

Pull out the wooden shelf, press the sides (1) gently, lift it upwards (2), and pull it out forwards (3).



Inserting the Wooden Shelf

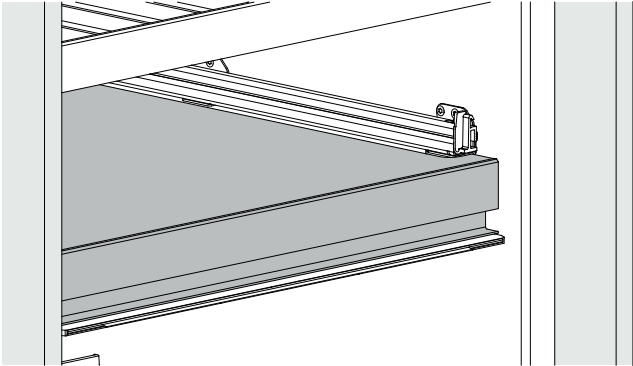
Position the wooden shelf at the rear (1), slide it backwards on the rails (2), attach it at the end (3), and then press it downwards (4) until the shelf engages in the rails (5).



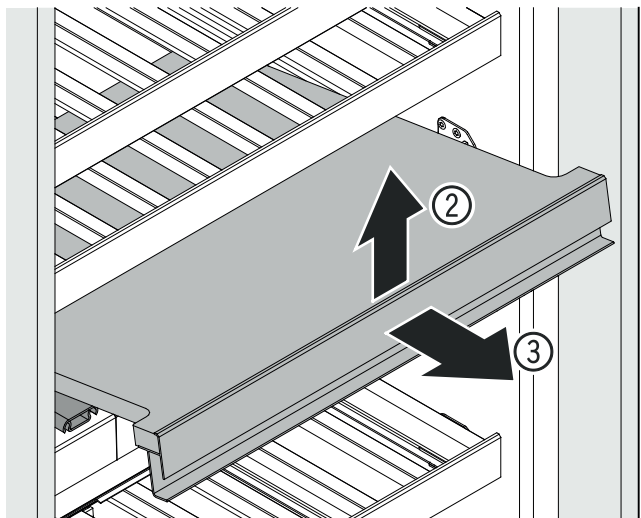
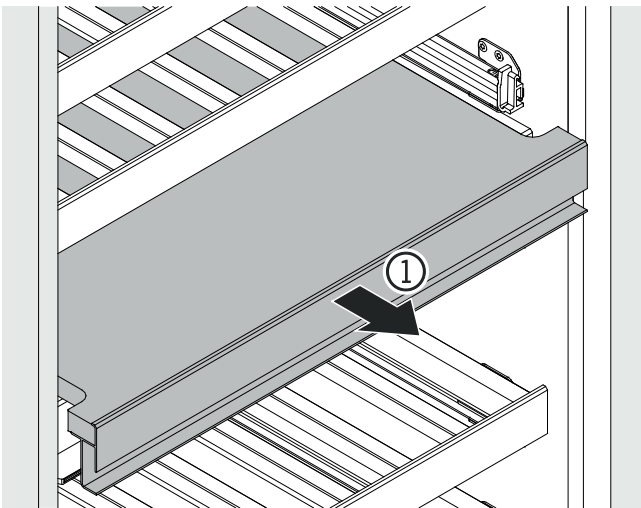
CLEANING

Removing the Serving Shelf

To remove the serving shelf, first remove the wooden shelf above the serving shelf.

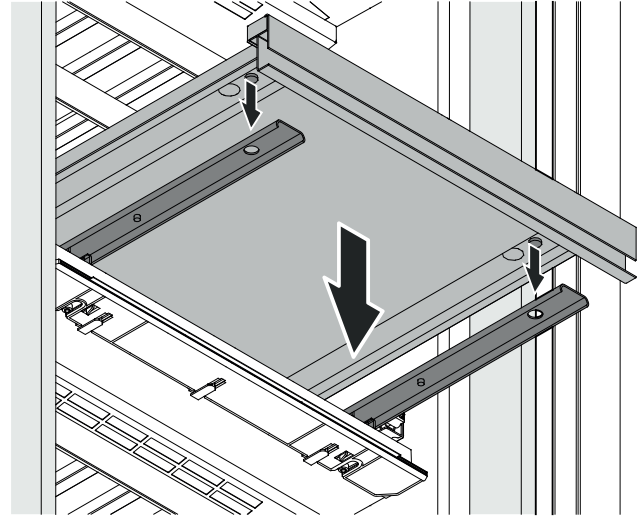


Pull out the serving shelf a little (1), lift the front upwards (2) to release the magnetic connection, and pull it out forward (3).

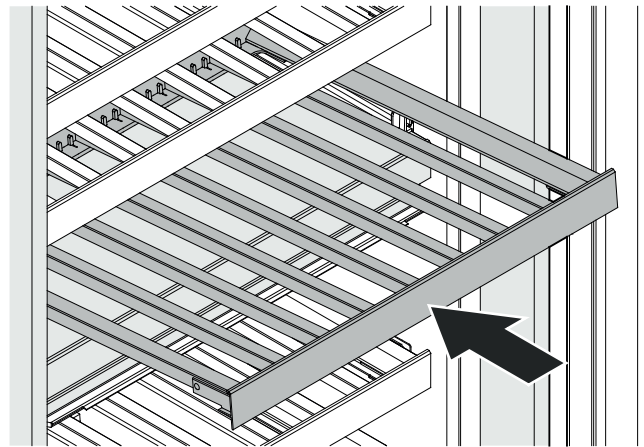


Inserting the Serving Shelf

Place the serving shelf on the rails. The bolts on the underside of the serving shelf must engage in the rails to be positioned precisely.

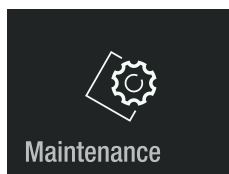


Insert the wooden shelf above the serving shelf.

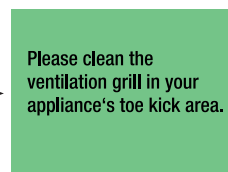
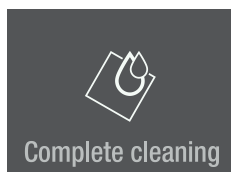


Maintenance Menu

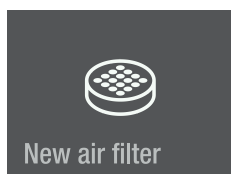
Maintenance can be carried out independently of the specified regular intervals. The maintenance menu includes the following steps.



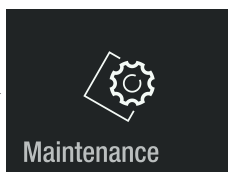
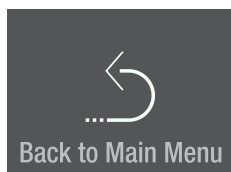
Complete cleaning
For complete maintenance of the appliance.



New air filter
To reset maintenance timer.



To return to the main menu.



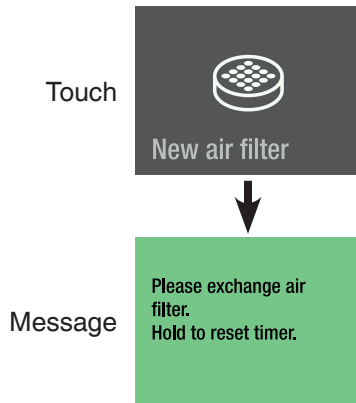
Maintenance

New Air Filter

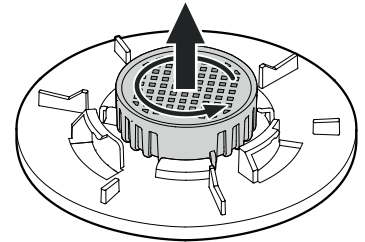
Wine will constantly adjust to the ambient conditions.

The quality of the air therefore plays a vital role in storage.

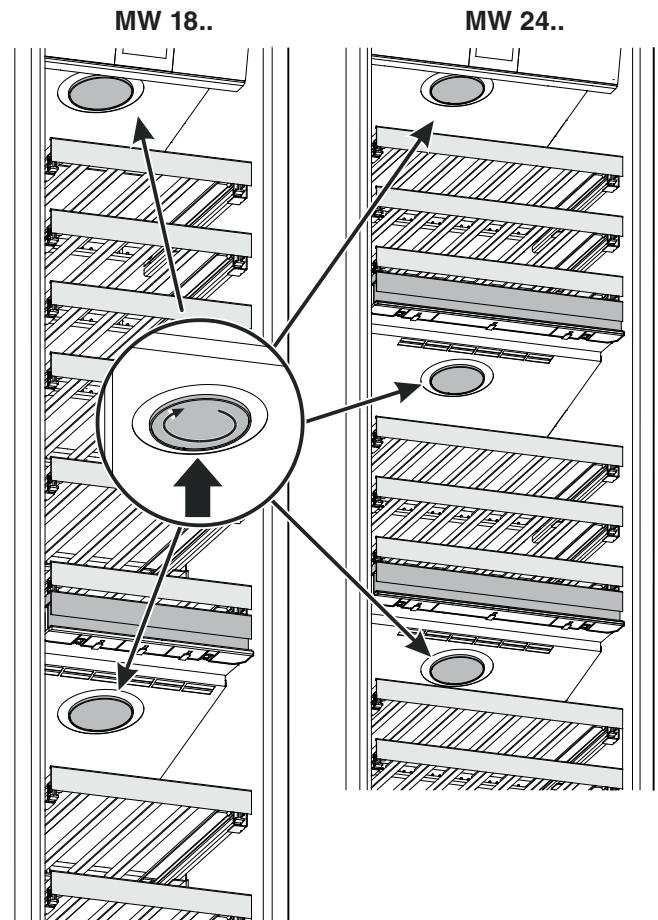
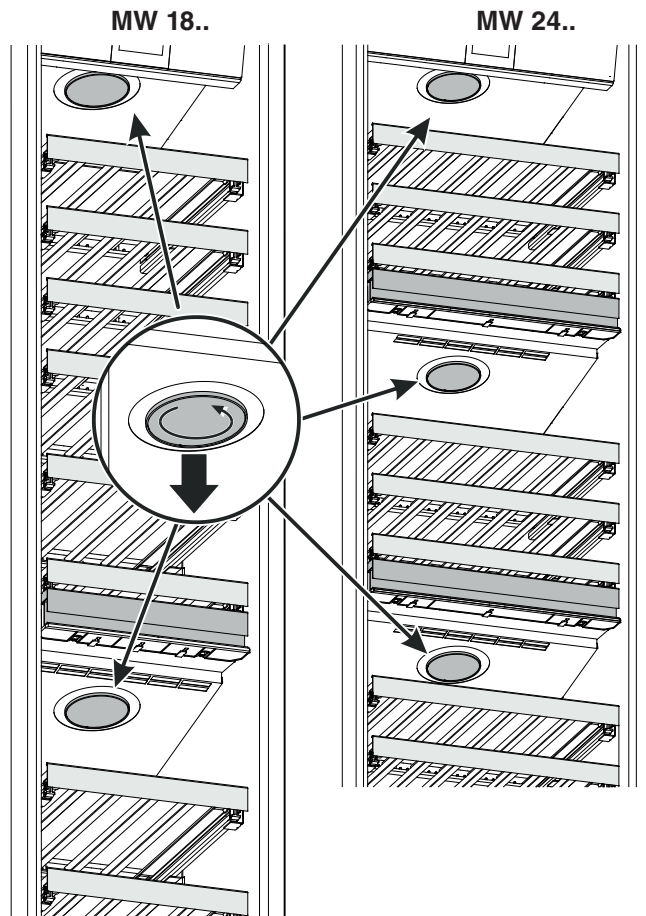
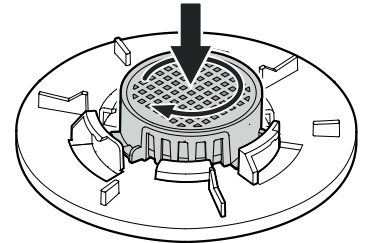
The filter should be changed in at least the specified maintenance intervals.



Turn the air filter counterclockwise and remove.



Insert the new air filter and turn it clockwise until it engages.



Turn the cover counterclockwise and remove.

Fit the cover and turn it clockwise until it engages.

Press for approx. 2 seconds.

The maintenance interval for the air filter change will be reset.

Please exchange air filter.
Hold to reset timer.

Slide twice to the left.



New air filter

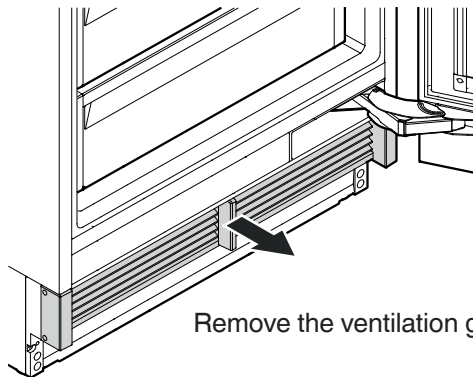
Touch to exit the menu.



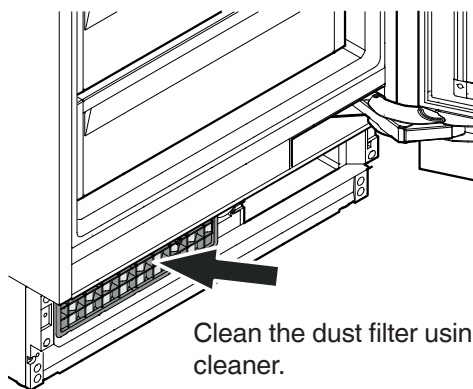
Back to Main Menu

Cleaning the Dust Filter

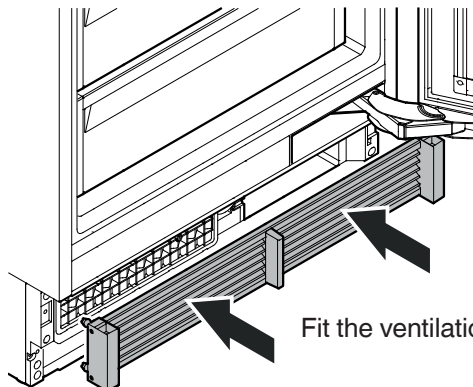
Clean the dust filter in the toe kick area in at least the specified maintenance intervals.



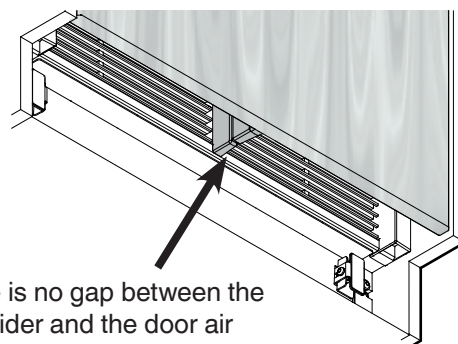
Remove the ventilation grille.



Clean the dust filter using a vacuum cleaner.



Fit the ventilation grille.



Check that there is no gap between the appliance air divider and the door air divider.

IMPORTANT

There will be a gap if the ventilation grille is fitted incorrectly.

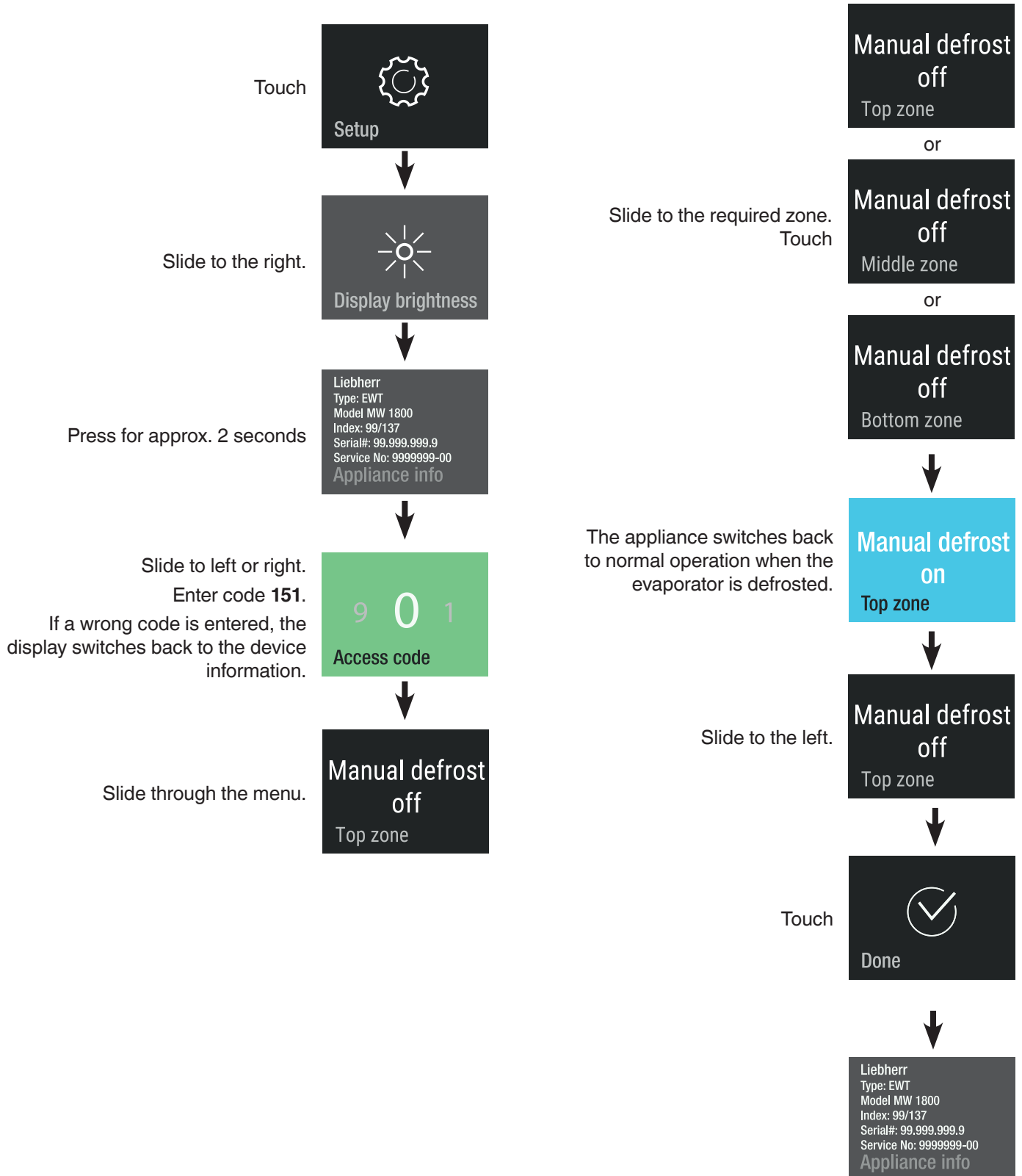
ADDITIONAL FUNCTIONS

Additional Functions

Activating the defrost function manually
Reset to factory setting
DemoMode

Manual Defrost

The appliance defrosts automatically. The defrost function can be activated manually for service applications.



Reset

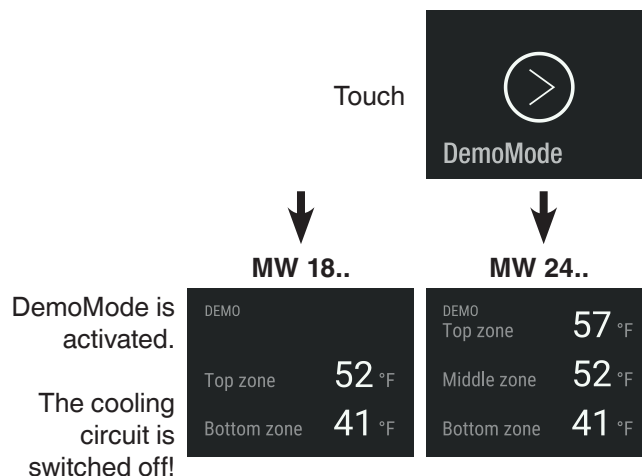
The electronic control can be reset to factory settings using this function.



DemoMode

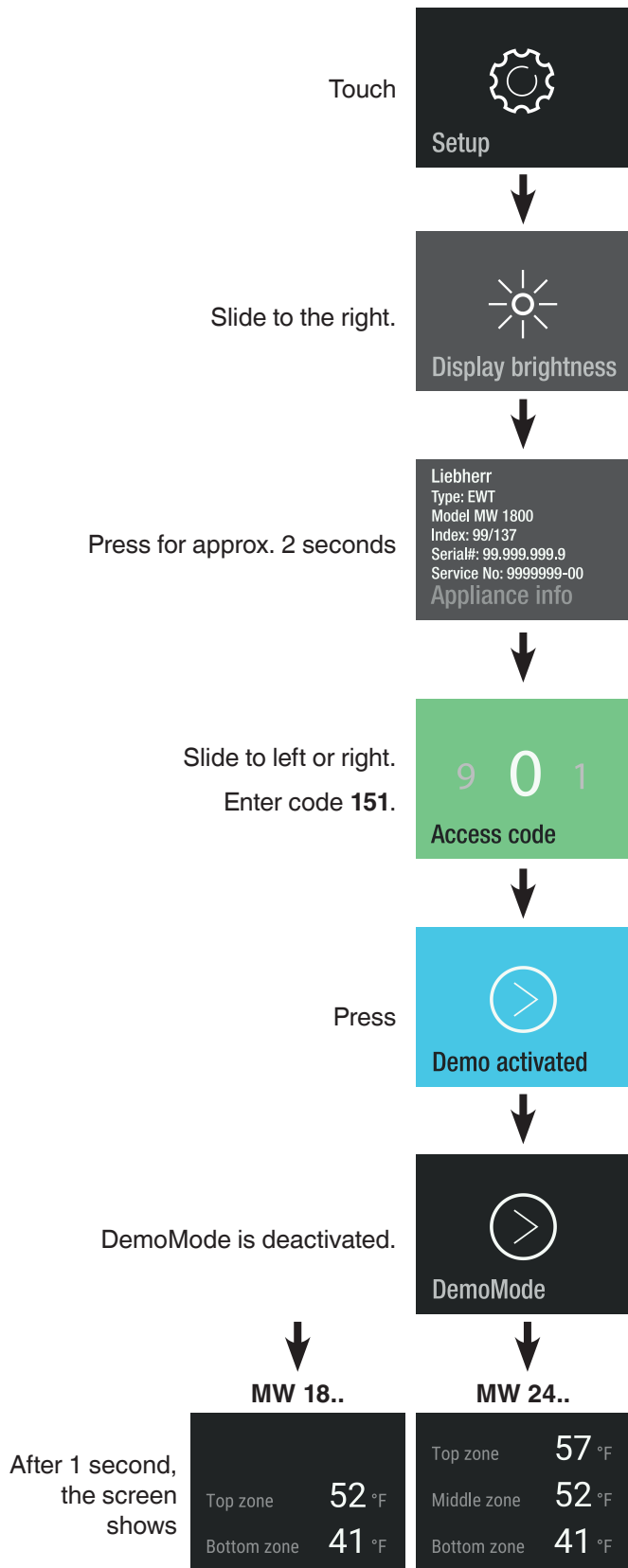
DemoMode can be activated for presenting the appliance at exhibitions or in showrooms as if it were in normal operating mode.

Activating DemoMode



ADDITIONAL FUNCTIONS

Deactivating DemoMode



Troubleshooting

If a problem occurs during operation, check whether it is due to an operating error. Please note that even during the warranty period, some repair costs may be your responsibility.

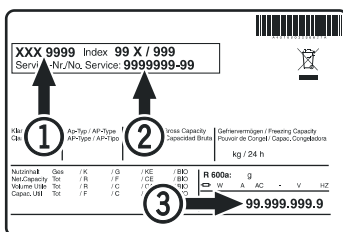
You may be able to correct the following faults by checking the possible causes yourself:

Problem	Possible Cause and Remedy
Appliance does not work, display is off.	<ul style="list-style-type: none"> - Is the appliance turned on properly? - Is the power cord properly inserted in the outlet? - Is the circuit breaker or fuse in operating condition?
The interior light does not come on.	<ul style="list-style-type: none"> - Is the appliance turned on?
Motor seems to run too long.	<ul style="list-style-type: none"> - Is the ambient temperature too high? See Safety Regulations. - Has the appliance been opened too often or left open too long?
The temperature is not cold enough.	<ul style="list-style-type: none"> - Is the temperature setting correct? See Setting the Temperature. - Has an excessive amount of wine been placed in the appliance? - Does a separately installed thermometer show the correct reading? - Is the ventilation system working properly? - Is the appliance set up too close to a heat source?
The fans inside the appliance are running even though the fan function has been deactivated and the compressor (refrigeration unit) is idle.	<ul style="list-style-type: none"> - This is a normal operating state depending on the set interior temperature and ambient temperature at the place of installation.

Customer Service

If none of the above possible causes apply, and you can not rectify the fault yourself, contact your nearest customer service representative.

Indicate the type **(1)** of appliance, service number **(2)** and the appliance/serial number **(3)** as indicated on the model plate or in the device information in the setup menu of the electronic control system.



Appliance Information

Record this information when the appliance is installed.

Type Designation: _____

Service Number: _____

Appliance/Serial Number: _____

Date of Purchase: _____

Where Purchased: _____

The position of the model plate is shown in the section entitled **Description of the Appliance**.

For Service in the U.S.

Liebherr Service Center

Toll Free: **1-866-LIEBHER** or **1-866-543-2437**

Email: Service-appliances.us@liebherr.com

PlusOne Solutions, Inc.

3501 Quadrangle Blvd, Suite 120

Orlando, FL 32817

For Service in Canada

Liebherr Service Center

Toll Free: **1-888-LIEBHER** or **1-888-543-2437**

www.euro-parts.ca

EURO-PARTS CANADA

39822 Belgrave Road

Belgrave, Ontario, N0G 1E0

Phone: (519) 357-3320

Fax: (519) 357-1326



www.liebherr-appliances.com