
SIFNh 5188

Integrated freezer with NoFrost
△ Peak

LIEBHERR

Fully Integrated



Fully Integrated

LIEBHERR

SIFNh 5188

Integrated freezer with NoFrost

△ Peak

G Made
in Germany



↑
178
↓



Type	Fixed door / Built-in appliance for integrated use
Energy consump. in 365 days/24 h	398 kWh
Noise output	35 dB(A)
Climate rating	SN-T (+10 °C to +43 °C)
Frequency / voltage	50-60 Hz / 220-240 V-
Connection Rating	1.3 A 186 W
Aperture dimensions in cm (h / w / d)	177.2-178.8 / 56-57 / min. 55
Controls	
Type of Control	2.4" TFT-colour display, touch- & swipe Digital temperature display
Door alarm	visual and acoustic
Alarm in case of malfunction	visual and acoustic
Freezer compartment	
Number of drawers	8 drawers, of which 5 set on telescopic rails, VarioSpace
IceMaker	with fixed 3/4" water connection, LED lighting
Ice cube capacity in 24 hours	- kg
Ice cube stock	- kg
Freezing capacity in 24 hours	10 kg
Temperature rise time	9 h
VarioSpace	yes
Cold storage accumulators	2
Features	
Side-by-Side concept	Side-panel heating on both sides, suitable for combination with other fridges, freezers and/or wine appliances
Door hinges	Reversible door hinge, left
Replaceable door seal	yes
EAN-Nr.	4016803082538

Features



NoFrost

When you open your freezer, you want to see frozen food – and certainly not ice and frost. NoFrost protects the freezer compartment from unwanted icing, which consumes a lot of energy and can be expensive. NoFrost means no more tedious and time-consuming defrosting of the freezer compartment, more time for other things – and saving money.



Touch & Swipe display

Control of your Liebherr at your fingertips: thanks to the Touch & Swipe display, you can operate your refrigerator intuitively and with ease. Simply select functions such as SuperCool on the colour display by tapping and swiping. The temperature is controlled just as easily. And, what if you are not actively using the display? Well, it then shows you the actual temperature.



SoftSystem

From breakfast to a midnight snack – a fridge needs to be open and closed on many occasions. And your Liebherr makes this a lot of fun. With the SoftSystem, your fridge door closes softly and safely, and in a way which is pleasantly quiet and light. Bottles stored in the inside door remain securely in place – nothing rattles or wobbles.



IceTower

You will never run out of cold drinks at your party. The IceTower, which holds 5.7 kg of ice cubes, makes sure of that. The ice cube scoop and the pull-out tray on telescopic rails allow easy access to the ice cubes. An extra insert tray means you can also store less ice and make room for frozen food underneath. The adjacent drawer provides storage space for frozen goods.



LED IceMaker lighting

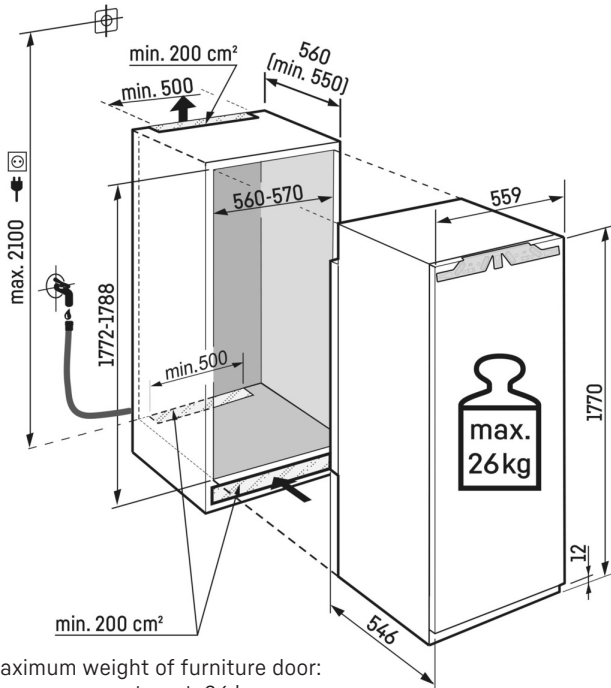
Allow yourself a small moment of happiness every day – by simply taking a look at your fresh ice cubes. The IceMaker lighting coolly places your ice cubes centre stage. The LED lighting activates automatically when the door is opened. The illuminated ice cubes are fun to look at – and whet your appetite for an ice-cold drink.



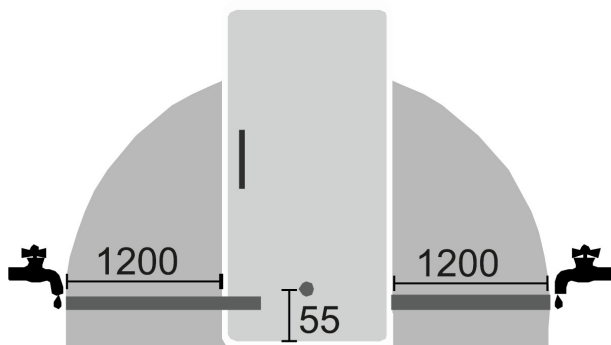
VarioSpace

Looking for somewhere to safely store a multi-tiered ice cream cake until the summer party? No problem for your Liebherr freezer: it knows that sometimes you just need more space. Thanks to VarioSpace, you can simply remove individual freezer drawers – and voilà: here's your extra-high storage space!

Technical drawing



Maximum weight of furniture door:
Freezer compartment: 26 kg



Products and their details are staged for advertising purposes. Whilst every effort is made to ensure all specifications and information in this flyer are accurate, Liebherr reserves the right to make changes without notification. Where actual appliance measurements, specifications, and ratings are crucial, we recommend that the actual appliance installation instructions that accompany each appliance be checked. Liebherr will not be liable for any damage. (27.11.2023)

