



80 USt



164 ft



155 ft



215 ft

---

# A small 4-axle crane with giant potential

---

## LTM 1070-4.2

Mobile crane  
Grue mobile

# LIEBHERR

Mobile and crawler cranes





# Technical data

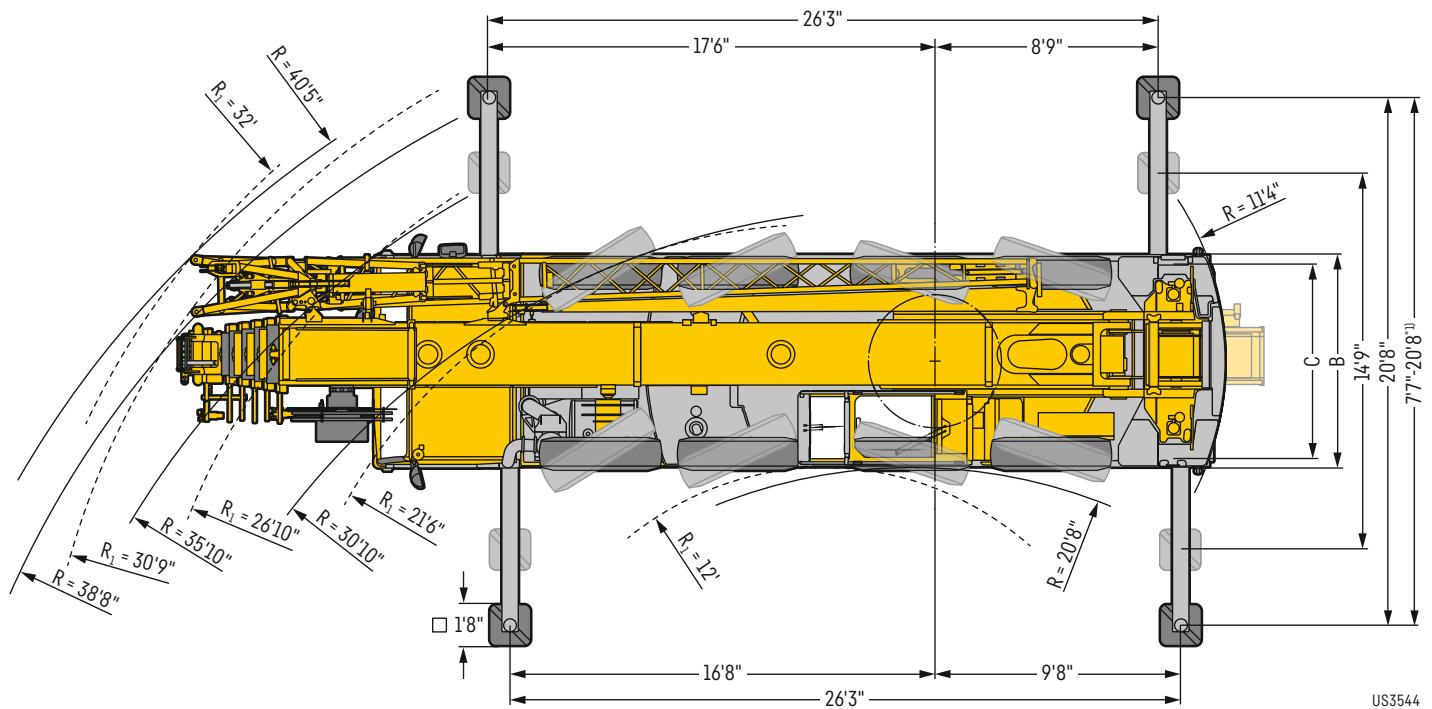
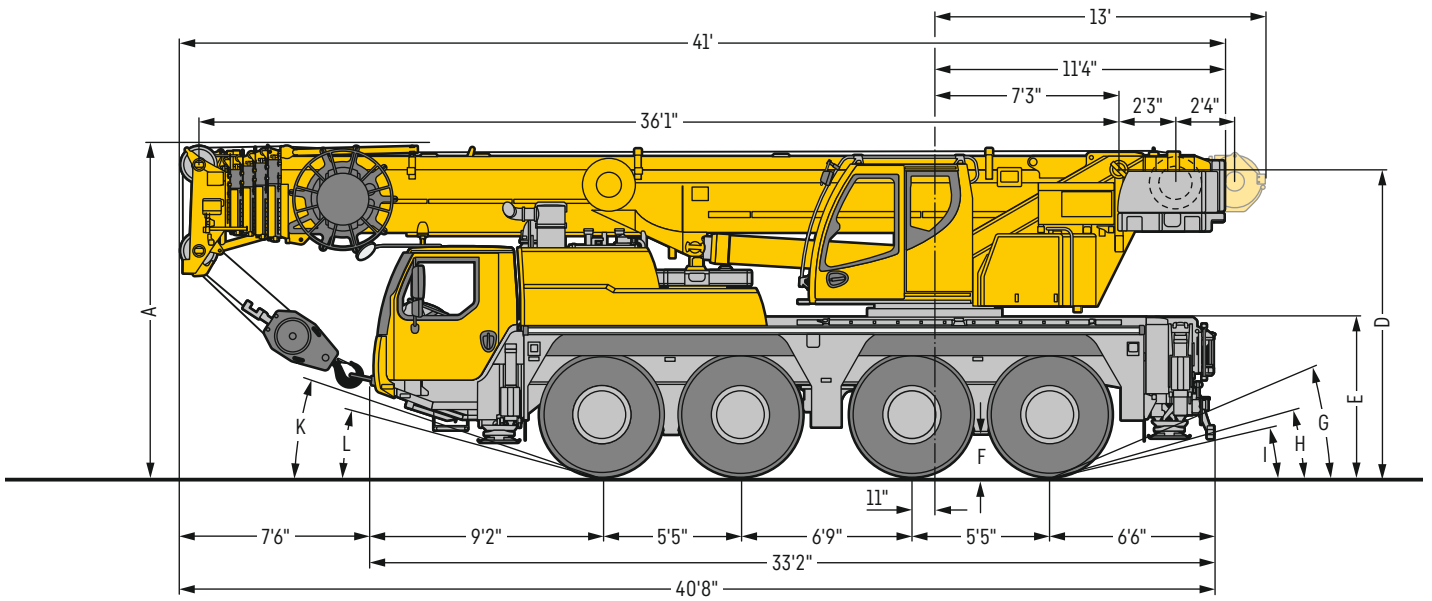
## Caractéristiques technique

---

<b>Dimensions</b>	
Encombrement .....	3
<b>Mobile crane</b>	
Grue mobile .....	4-5
<b>Fuel saving and noise reduction</b>	
Economie de carburant et réduction du bruit .....	6
<b>Counterweight</b>	
Contrepoids .....	7-8
<b>Crane data</b>	
Dates de la grue .....	9
<b>On-road driving</b>	
Déplacement sur route .....	10
<b>Jobsite driving</b>	
Déplacement sur chantier .....	10
<b>Boom/jib combinations</b>	
Configurations de flèche .....	11
<b>T</b> .....	12-17
<b>TK/TNZK</b> .....	18-22
<b>THK/TNZHK</b> .....	23-25
<b>Equipment</b>	
Equipement .....	26-27
<b>Description of symbols</b>	
Explication des symboles .....	28
<b>Remarks</b>	
Remarques .....	29

# Dimensions

## Encombrement




US3544

$R_1$  = All-wheel steering · Direction toutes roues

<sup>1)</sup> only with VarioBase® · seulement avec VarioBase®

## Dimensions · Encombrement

	A	A	B	C	D	E	F	G	H	I	K	L
445/95 R 25 (16.00 R 25)	13'	12'8" 4" *	8'4"	6'11"	11'11"	6'1"	1'5"	23°	15°	12°	19°	15°
525/80 R 25 (20.5 R 25)	13'	12'8"	8'10"	7'1"	11'11"	6'1"	1'5"	23°	15°	12°	19°	15°

\* lowered · abaissé

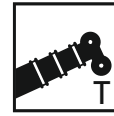
# LTM 1070-4.2





**Hillstart Aid makes starting on gradients easier. Move off safely and easily without rolling backwards.**

La fonction Hillstart-Aid facilite le démarrage en côte. Démarrage sûr et facile sans recul du véhicule.



164 ft



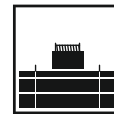
31 ft - 52 ft



10 ft



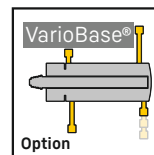
8 ft 4 in (445/95 R 25)



32,000 lb



330 kW (449 h.p.)



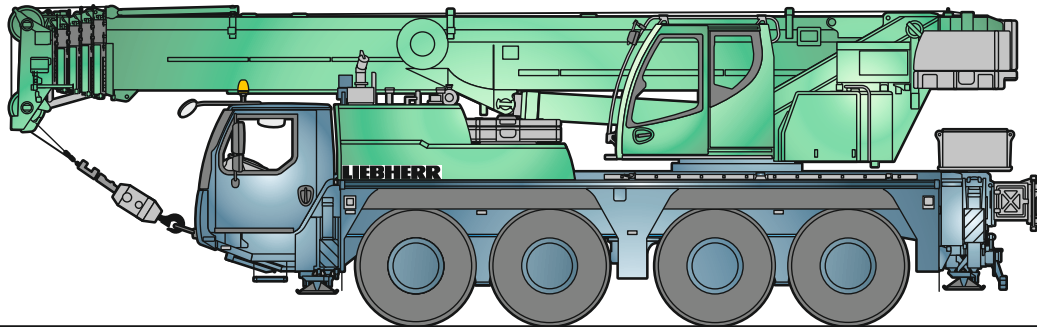
# Fuel saving and noise reduction

## Economie de carburant et réduction du bruit

ECOmode

Automatic regulation of the engine speed during crane mode reduce fuel about 10 %

Régulation automatique de la vitesse du moteur pendant les travaux avec la grue permet de réduire la consommation de carburant jusqu'à env. 10 %



S3224.02

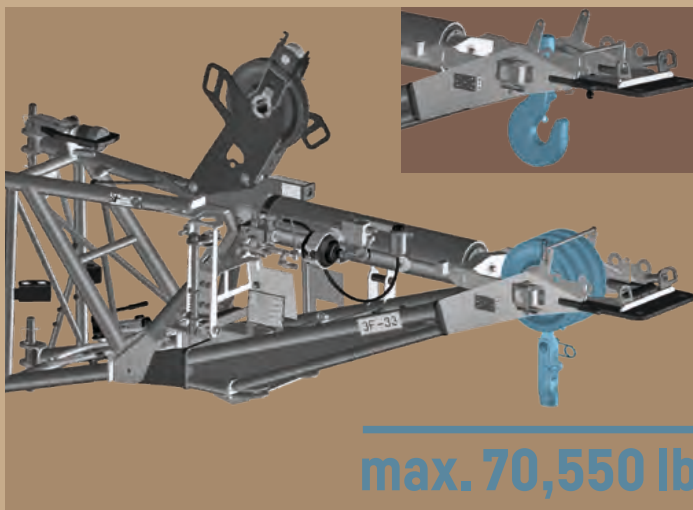
ECOdrive  
TRAXON

Driving strategy in the carrier with ECO- or Powermode to reduce noise and fuel

L'adaptation du mode de déplacement avec le mode ECO ou le mode Puissance permet de réduire le niveau sonore et la consommation de carburant

# Flexible assembly jib

## Fléchette de montage flexible



- + Rapid change between roller set and hook traverse (option)
- + Integrated in the double folding jib
- + Flexible lowering between 0°, 20°, 40°, 60°

- + Changement rapide entre jeu de rouleaux et palonnier à crochets (option)
- + Intégrée dans la pointe pliante double
- + Angle flexible entre 0°, 20°, 40°, 60°



# Counterweight

## Contrepoids

---

Option



**Fast changing system for various driving situations**

Système de changement rapide pour les configurations de conduite les plus diverses

## High performance boom with single cylinder system

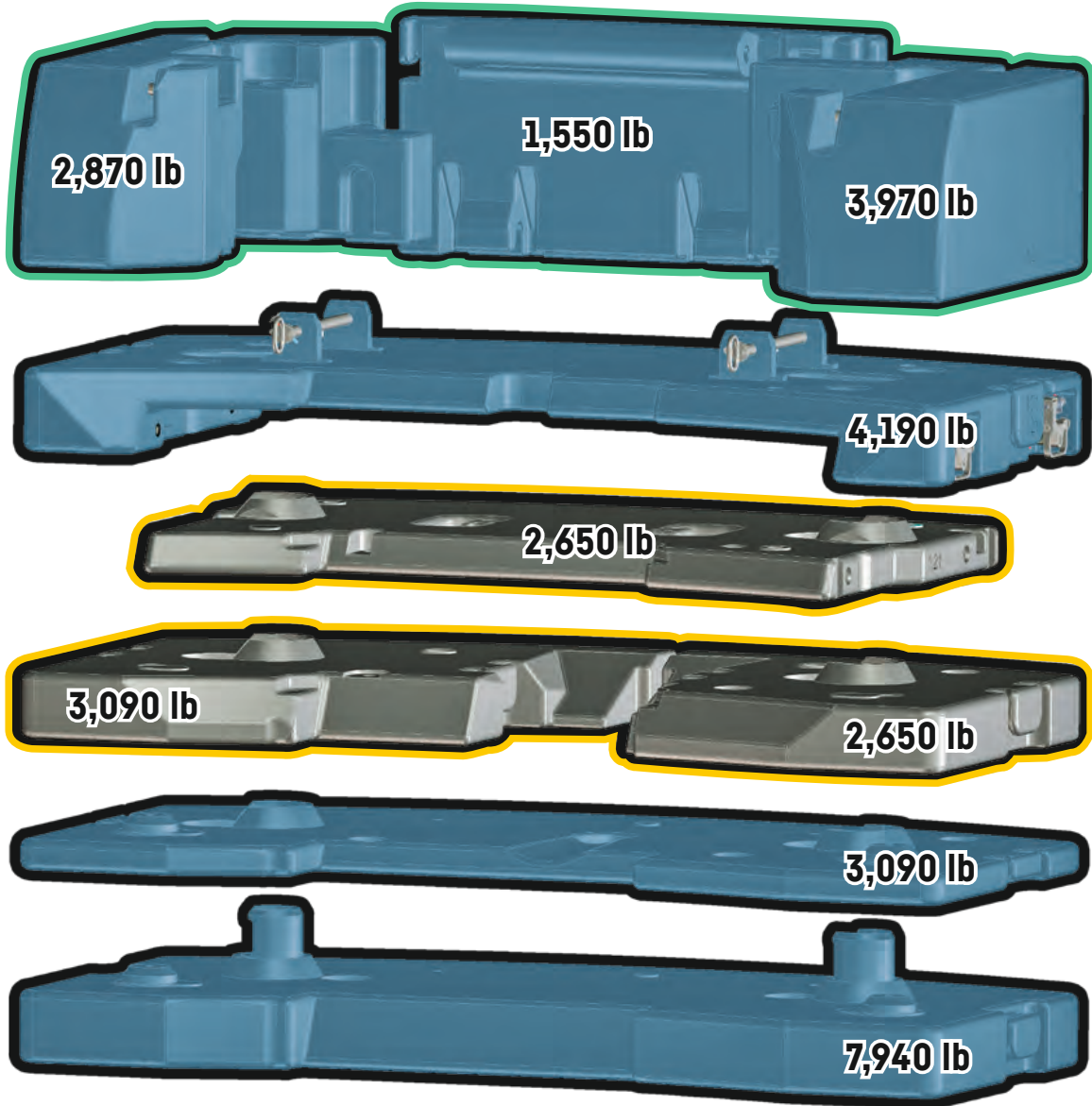
Une flèche encore plus puissante avec un système à un vérin

---



- **Automatic fast cycle telescoping system TELEMATIK**
- **High capacities over the complete working range**
- Système de télescopage séquentiel rapide automatique TELEMATIK
- Forces de levage élevées sur l'ensemble de la zone de travail

# Counterweight Contrepoid



**26,400 lb axle load**  
26,400 lb de charge par  
essieu

**22,000 lb axle load**  
22,000 lb de charge par  
essieu

**Technically transportable**  
Transport techniquement  
simplifié





**Additional counterweight**  
Contrepoids additionnel











# Crane data

## Dates de la grue

### Hook block · Moufles à crochet




			
154,300 lb	7	14	1,100 lb
128,800 lb	5	11	1,100 lb
84,500 lb	3	7	990 lb
37,250 lb	1	3	800 lb
12,600 lb	-	1	240 lb

### Crane carrier · Châssis porteur









	 mph min.	 mph max.	 %		
445/95 R 25 (16.00 R 25)	0.3	53	> 60%		12 / R2
525/80 R 25 (20.5 R 25)	0.3	53	> 60%		4 / R2

Theoretical gradeability · aptitude théorique en pente

### Max. supporting forces · Forces d'appui max.

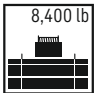
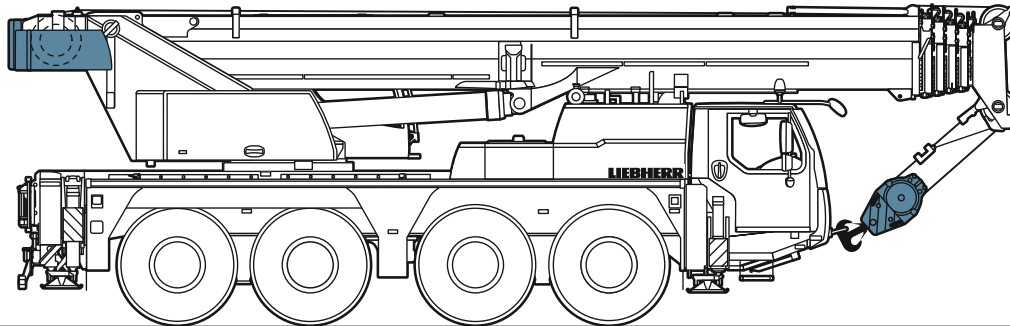
		
F <sub>max</sub>	72,000 lb	117,000 lb

### Crane superstructure · Partie tournante

				
①	0 - 394 ft/min single line · au brin simple	17 mm	656 ft	12,800 lb
②	0 - 394 ft/min single line · au brin simple	17 mm	656 ft	12,800 lb
	0 - 1,7 rpm			
	approx. 55 seconds to reach 83° boom angle env. 55 s jusqu'à 83°			
	approx. 350 seconds for boom extension from 36 ft - 164 ft env. 350 s pour passer de 36 ft - 164 ft			

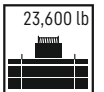
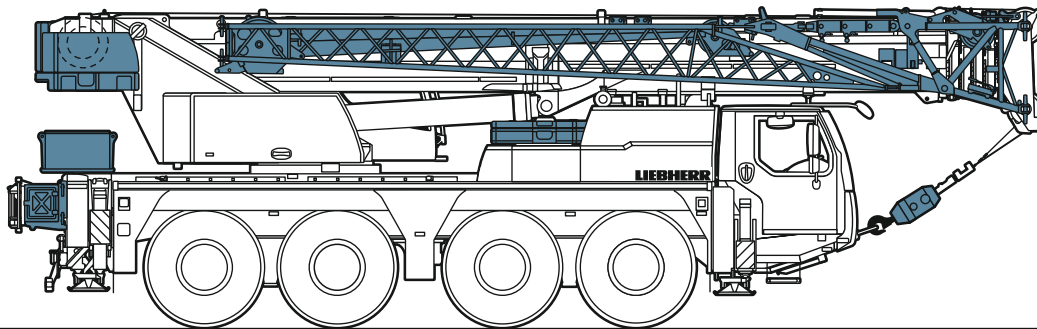
# On-road driving

## Déplacement sur route



≤ 88,000 lb

≤ 22,000 lb ≤ 22,000 lb ≤ 22,000 lb ≤ 22,000 lb

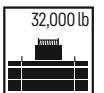
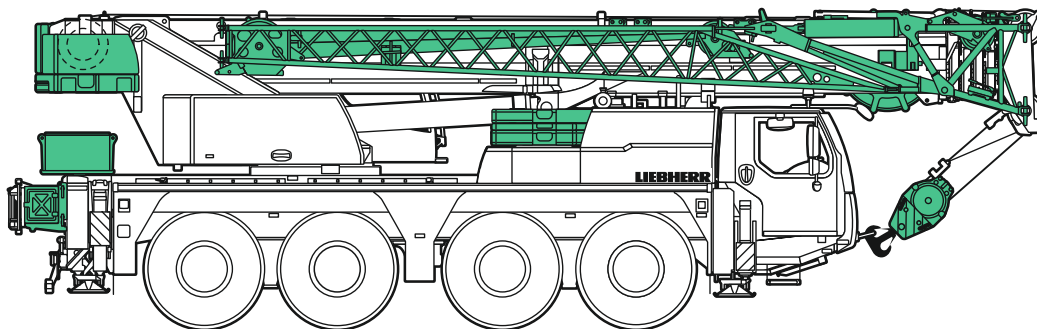


≤ 105,800 lb

≤ 26,400 lb ≤ 26,400 lb ≤ 26,400 lb ≤ 26,400 lb

# Jobsite driving

## Déplacement sur chantier



≤ 119,000 lb

≤ 29,750 lb ≤ 29,750 lb ≤ 29,750 lb ≤ 29,750 lb

US3242.01

# Boom/jib combinations

## Configurations de flèche

<b>T</b>	<b>Telescopic boom</b> · Flèche télescopique
<b>K/NZK</b>	<b>Mechanically/hydraulically adjustable folding jib</b> · Pointe pliante réglable mécaniquement/hydrauliquement
<b>HK/NZHK</b>	<b>Mechanically/hydraulically adjustable assembly jib</b> · Fléchette de montage réglable mécaniquement/hydrauliquement



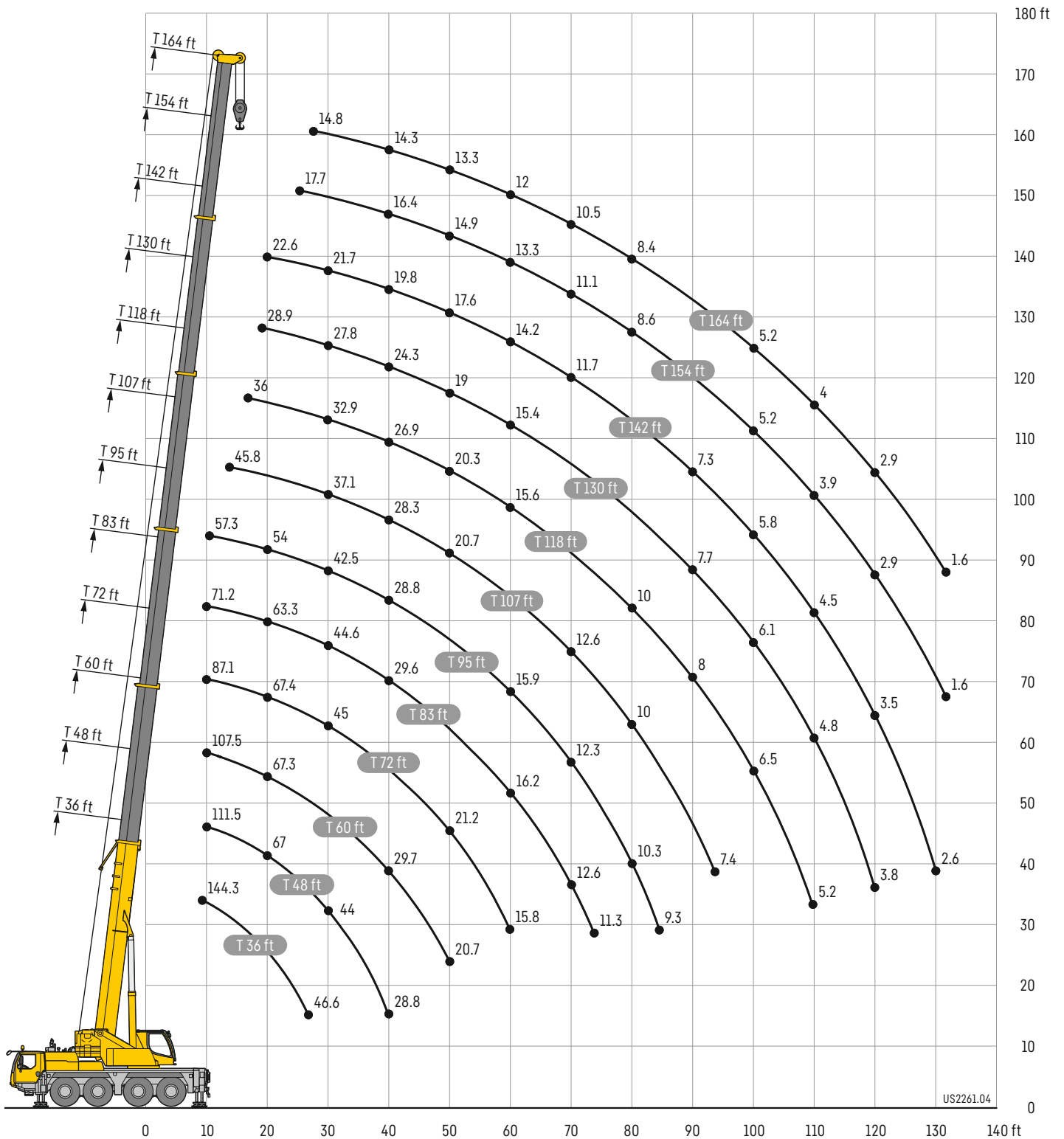
S3041.02



# Lifting heights

## Hauteurs de levage

T



US2261.04

# Lifting capacities

## Forces de levage

T



	36 ft	48 ft	60 ft	72 ft	83 ft	95 ft	107 ft	118 ft	130 ft	142 ft	154 ft	164 ft	
9	144.3												9
10	133.3	111.3	111.5	107.5	87.1	71.2							10
11	123.9	105	105.1	104.6	86.2	70.5	57.3						11
12	115.7	99.4	99.3	99.7	85.3	69.9	56.9						12
13	108.3	94.1	94.2	94.5	84.2	69.3	56.5	45.8					13
14	101.8	89.4	89	89.4	83.2	68.8	56.2	45.6					14
15	95.4	84.8	84.6	85	82.1	68.2	55.8	45.5					15
16	89.2	80.5	80.2	80.8	80	67.5	55.4	45.3	36				16
17	83.5	76.4	77.4	76.7	77	66.5	55.1	45.1	35.9				17
18	78.3	72.6	73.6	73.9	73.8	65.5	54.7	44.8	35.9	28.9			18
19	73.9	69.3	70.3	70.6	70.2	64.3	54.3	44.5	35.7	28.9			19
20	69.6	66.1	67	67.3	67.4	63.3	54	44.3	35.5	28.8	22.6		20
22	62.6	60.6	61.5	61.9	61.7	61.1	53.2	43.6	35.3	28.7	22.5		22
24	56.6	55.1	56.3	56.6	56.7	57.4	52.5	42.4	35.1	28.5	22.4	17.7	24
26	51.2	50.4	51.5	51.8	52.5	52.7	50.6	40.7	34.9	28.3	22.3	17.6	26
28	46.6	46.2	47.5	47.7	48.6	48.6	46.4	38.8	34.1	28.1	22	17.5	28
30			44	44	45	44.6	42.5	37.1	32.9	27.8	21.7	17.4	30
32			40.5	41.3	41.5	41.1	38.7	35.5	31.8	27.2	21.5	17.2	32
34			37.3	38.1	38.3	37.9	35.7	33.9	30.6	26.5	21.1	17	34
36			34.3	35.3	35.5	35	33.5	32.5	29.6	25.7	20.8	16.9	36
38			31.3	32.3	32.6	32.3	31	30.2	28.1	25	20.3	16.7	38
40			28.8	29.7	29.9	29.6	28.8	28.3	26.9	24.3	19.8	16.4	40
45				24.5	24.7	25	24.9	24.3	23.5	22.1	18.7	15.7	45
50				20.7	21.2	21.1	21.3	20.7	20.3	19	17.6	14.9	50
55					18.2	18.6	18.3	17.9	17.6	17.1	16.2	14.1	55
60					15.8	16.2	15.9	15.9	15.6	15.4	14.2	13.3	60
65						14.2	13.9	14	13.8	13.5	12.6	12.3	65
70						12.6	12.3	12.6	12.2	11.8	11.7	11.1	70
75						11.3	11.1	11.2	10.8	10.5	10.4	9.8	75
80							10.3	10	10	9.7	9.2	8.6	80
85							9.3	9	9	8.6	8.2	7.6	85
90								8.2	8	7.7	7.3	6.7	90
95								7.4	7.2	6.8	6.5	5.9	95
100									6.5	6.1	5.8	5.2	100
105									5.8	5.4	5.1	4.5	105
110									5.2	4.8	4.5	3.9	110
115										4.3	4	3.4	115
120										3.8	3.5	2.9	120
125											3	2.5	125
130											2.6	2.1	130
135												1.6	135

\* over rear - en arrière

t\_189\_30001\_00\_001 / 30041\_00\_001

# Lifting capacities

## Forces de levage

T



	36 ft	48 ft	60 ft	72 ft	83 ft	95 ft	107 ft	118 ft	130 ft	142 ft	154 ft	164 ft	
10	110.7	111	107.5										10
11	104.4	104.5	104.2	86.2	70.5								11
12	98.8	98.7	99.1	85.3	69.9								12
13	93.4	93.4	93.9	84.2	69.3	56.5							13
14	88.3	88	88.4	83.2	68.8	56.2							14
15	83.5	83.3	83.8	81.8	68.2	55.8	45.5						15
16	79.1	78.9	79.6	79.2	67.5	55.4	45.3	36					16
17	75.1	76.1	75.8	76	66.5	55.1	45.1	35.9					17
18	71.4	72.4	72.8	72.6	65.5	54.7	44.8	35.9					18
19	68.1	69.2	69.5	69.1	64.3	54.3	44.5	35.7					19
20	64.7	65.8	66.2	66.2	63.3	54	44.3	35.5					20
22	58.4	59.6	60.1	59.8	58.8	53.2	43.6	35.3	28.7	22.5			22
24	52.8	54.1	54.5	55.1	52.5	48.8	42.4	35.1	28.5	22.4			24
26	47.6	49.6	49.6	50	47.2	44.1	40.4	34.9	28.3	22.3	17.6		26
28	43.3	45.1	45.4	44.9	42.6	39.9	37.9	34.1	28.1	22	17.5	14.7	28
30		40.6	41.6	40.8	38.6	36.8	35.4	32.8	27.8	21.7	17.4	14.7	30
32		36.2	37.2	37.2	35.3	33.7	32.3	30.5	27.2	21.5	17.2	14.6	32
34		32.5	33.6	33.8	32.7	31.7	30.1	28.9	26.5	21.1	17	14.6	34
36		29.4	30.5	30.8	30.6	29.6	28	27	25.2	20.8	16.9	14.4	36
38		26.8	27.8	28	28.3	27.4	26	25.1	23.5	20.3	16.7	14.3	38
40		24.5	25.5	26.1	26	25.8	24.6	23.4	21.9	19.8	16.4	14.3	40
45			20.9	21.5	21.9	21.7	20.7	19.8	19.4	18.1	15.7	13.8	45
50			17.6	18.1	18.5	18.2	18.2	17.6	16.9	15.5	14.8	13.3	50
55				15.8	15.8	15.7	15.9	15.4	14.6	14.2	13.3	12.5	55
60				13.7	13.7	13.8	13.7	13.3	13.1	12.5	11.6	11.2	60
65					11.9	12.2	11.9	11.9	11.4	10.9	10.1	9.8	65
70					10.5	10.8	10.5	10.5	10	9.6	8.8	8.5	70
75					9.4	9.5	9.4	9.2	8.8	8.4	7.7	7.4	75
80						8.5	8.3	8.2	7.8	7.3	6.7	6.5	80
85						7.6	7.4	7.2	6.9	6.5	5.8	5.6	85
90							6.5	6.4	6	5.7	5.1	4.9	90
95							5.8	5.6	5.3	4.9	4.4	4.3	95
100								5	4.6	4.3	3.7	3.6	100
105								4.4	4	3.7	3.1	3.1	105
110								3.9	3.5	3.2	2.6	2.6	110
115									3	2.7	2	2	115
120									2.6	2.2			120
125										1.8			125

t\_189\_30055\_00\_003



# Lifting capacities

## Forces de levage

T



	36 ft	48 ft	60 ft	72 ft	83 ft	95 ft	107 ft	118 ft	130 ft	142 ft	154 ft	164 ft	
10	110.6	110.8	107.5										10
11	104.2	104.3	104	86.2	70.5								11
12	98.6	98.5	98.9	85.3	69.9								12
13	93.1	93.1	93.5	84.2	69.3	56.5							13
14	87.9	87.6	87.9	83.2	68.8	56.2							14
15	83	82.9	83.3	81.5	68.2	55.8	45.5						15
16	78.7	78.5	79.1	78.7	67.5	55.4	45.3	36					16
17	74.7	75.8	75.6	75.6	66.5	55.1	45.1	35.9					17
18	71	72	72.4	72.2	65.5	54.7	44.8	35.9					18
19	67.6	68.6	68.9	68.7	64.3	54.3	44.5	35.7					19
20	63.9	65.1	65.4	65.5	63.1	54	44.3	35.5					20
22	57.6	58.8	59.3	58.5	55.6	51.8	43.6	35.3	28.7	22.5			22
24	51.5	53	53.4	52.9	49.6	46	42.1	35.1	28.5	22.4			24
26	46.4	48.5	48	47.2	44.6	41.6	39.4	34.9	28.3	22.3	17.6		26
28	41	43.5	44.3	42.4	40.2	37.9	36.4	33.8	28.1	22	17.5	14.7	28
30		38.3	39.5	38.5	36.3	35	33.3	31.2	27.8	21.7	17.4	14.7	30
32		34.2	35.2	35.1	33.9	32.5	30.7	29.4	27.1	21.5	17.2	14.6	32
34		30.7	31.7	31.9	31.3	29.9	28.5	27.3	25.6	21.1	17	14.6	34
36		27.7	28.7	29.1	28.9	27.9	26.5	25.3	23.5	20.8	16.9	14.4	36
38		25.2	26.2	26.8	26.7	26.1	24.6	23.5	21.9	20.3	16.7	14.3	38
40		23	24	24.6	24.5	24.2	23	21.9	21.1	19.8	16.4	14.3	40
45			19.7	20.2	20.7	20.4	19.9	19.1	18.3	16.9	15.7	13.8	45
50			16.5	17.4	17.4	17.2	17.3	16.6	15.7	15.2	14.3	13.3	50
55				14.8	14.8	14.9	14.9	14.3	14	13.3	12.3	11.9	55
60				12.8	12.8	13.1	12.8	12.8	12.2	11.5	10.6	10.3	60
65					11.2	11.4	11.2	11	10.6	10.1	9.2	8.9	65
70					9.9	10	9.9	9.7	9.3	8.8	8	7.7	70
75					8.7	8.9	8.7	8.5	8.1	7.6	6.9	6.7	75
80						7.9	7.6	7.5	7.1	6.7	6	5.8	80
85						7	6.7	6.6	6.2	5.8	5.2	5	85
90							5.9	5.8	5.4	5.1	4.4	4.3	90
95							5.2	5.1	4.7	4.4	3.8	3.7	95
100								4.5	4.1	3.7	3.2	3.1	100
105								3.9	3.5	3.2	2.6	2.6	105
110								3.4	3	2.7	1.9	1.9	110
115									2.6	2.1			115
120									2.2	1.6			120

t\_189\_30061\_00\_003

# Lifting capacities

## Forces de levage

T



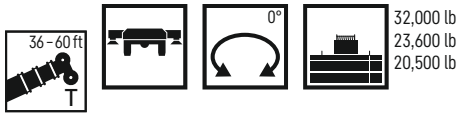
	36 ft	48 ft	60 ft	72 ft	83 ft	95 ft	107 ft	118 ft	130 ft	142 ft	154 ft	164 ft	
10	110	110.2	107.5										10
11	103.4	103.5	103.4	86.2	70.5								11
12	97.2	97.1	97.6	85.3	69.9								12
13	91.3	91.5	91.9	84.2	69.3	56.5							13
14	86.2	85.9	86.3	83.2	68.8	56.2							14
15	81.4	81.3	81.7	76.8	68.2	55.8	45.5						15
16	76.9	77.2	77.8	72.7	67.5	55.4	45.3	36					16
17	72.1	73.4	72.1	66.7	62.9	55.1	45.1	35.9					17
18	67.1	68.7	65.9	62.8	58.3	52.3	44.8	35.9					18
19	62.8	64.1	60.5	57.7	53.4	49.2	43.6	35.7					19
20	58.8	59.1	57	53.8	49.8	46	42.8	35.5					20
22	51.7	51.5	49.5	46.6	43.3	41.7	38.6	34.9	28.7	22.5			22
24	42.9	44.7	43.2	41.2	39.3	37	35	32.7	28.5	22.4			24
26	36.3	38.9	38.2	36.6	35.2	33.8	31.6	29.8	27.3	22.3	17.6		26
28	31.3	33.8	34.2	33.3	31.7	30.5	28.8	27	25	22	17.5	14.7	28
30		29.6	30.6	30.2	29.3	27.8	26.6	24.9	23.6	21.7	17.4	14.7	30
32		26.2	27.4	27.4	26.8	25.3	24.2	23.1	21.9	20.2	17.2	14.6	32
34		23.4	24.6	24.9	24.6	23.4	22.6	21.4	20.2	18.7	17	14.6	34
36		21	22.2	23.2	22.6	21.6	21	19.8	18.9	18	16.8	14.4	36
38		19	20.1	21.1	20.9	20.2	19.5	18.5	17.8	16.7	15.5	14.3	38
40		17.3	18.3	19.3	19.3	19.1	18.2	17.5	16.6	15.6	14.3	13.8	40
45			14.8	15.7	15.9	16.1	15.3	14.7	13.9	13	11.8	11.6	45
50			12.2	13	13.2	13.4	13	12.5	11.8	10.9	9.9	9.7	50
55				11	11.1	11.1	11	10.7	10	9.2	8.3	8.1	55
60				9.3	9.4	9.5	9.4	9.1	8.5	7.8	7	6.7	60
65					8.1	8.2	8	7.8	7.2	6.6	5.8	5.6	65
70					6.9	7.1	6.9	6.7	6.2	5.6	4.8	4.7	70
75					5.9	6.1	5.9	5.7	5.3	4.7	3.9	3.8	75
80						5.2	5	4.9	4.5	4	3.1	3	80
85						4.5	4.3	4.1	3.8	3.3	2.2	2.1	85
90							3.6	3.5	3.1	2.5	1.5		90
95							3.1	2.9	2.4	1.8			95
100								2.3	1.7				100
105								1.7					105

t\_189\_30075\_00\_002

# Lifting capacities – on tyres

## Forces de levage – sur pneus

T



36-60ft  
 32,000 lb  
 23,600 lb  
 20,500 lb  
**85%**

	36 ft			48 ft			60 ft			
	32,000 lb	23,600 lb	20,500 lb	32,000 lb	23,600 lb	20,500 lb	32,000 lb	23,600 lb	20,500 lb	
10	34	33.1	32.8	35.2	34.4	34.1	35.6	34.9	34.6	10
11	31.7	30.7	30.5	32.9	32.1	31.8	33.4	32.6	32.3	11
12	29.6	28.7	28.4	30.8	29.9	29.7	31.3	30.5	30.3	12
13	27.6	26.7	26.5	28.9	28.1	27.9	29.5	28.7	28.4	13
14	25.9	25	24.8	27.1	26.3	26	27.6	26.8	26.6	14
15	24.2	23.4	23	25.5	24.7	24.5	26.1	25.3	25.1	15
16	22.8	22	21.1	24	23.3	22.8	24.7	23.9	23.7	16
17	21.4	20.6	19	22.7	22	21.1	23.3	22.6	21.9	17
18	20.1	18.9	17.1	21.5	20.8	19.2	22.1	21.4	20.3	18
19	19	17.2	15.6	20.3	19.2	17.6	21	20	18.6	19
20	17.9	15.7	14.2	19.2	17.6	16.1	19.8	18.6	17.1	20
22	16.1	13.2	11.7	17.3	15.1	13.8	18	16.1	14.7	22
24	14.4	11	9.8	15.7	12.9	11.6	16.3	13.9	12.7	24
26	12.6	9.4	8.2	14.3	11.1	10	14.9	12	10.9	26
28	10.9	8	6.9	12.8	9.7	8.7	13.6	10.5	9.6	28
30				11.2	8.5	7.4	12.1	9.3	8.4	30
32				10	7.4	6.2	10.8	8.3	7.4	32
34				8.9	6.3	5.1	9.7	7.4	6.3	34
36				8	5.3	4.2	8.8	6.5	5.3	36
38				7.1	4.5	3.5	7.9	5.5	4.5	38
40				6.4	4	3	7.2	4.7	3.7	40
45							5.6	3.1	2.5	45
50							4.4	2.2		50

0° = over rear - en arrière

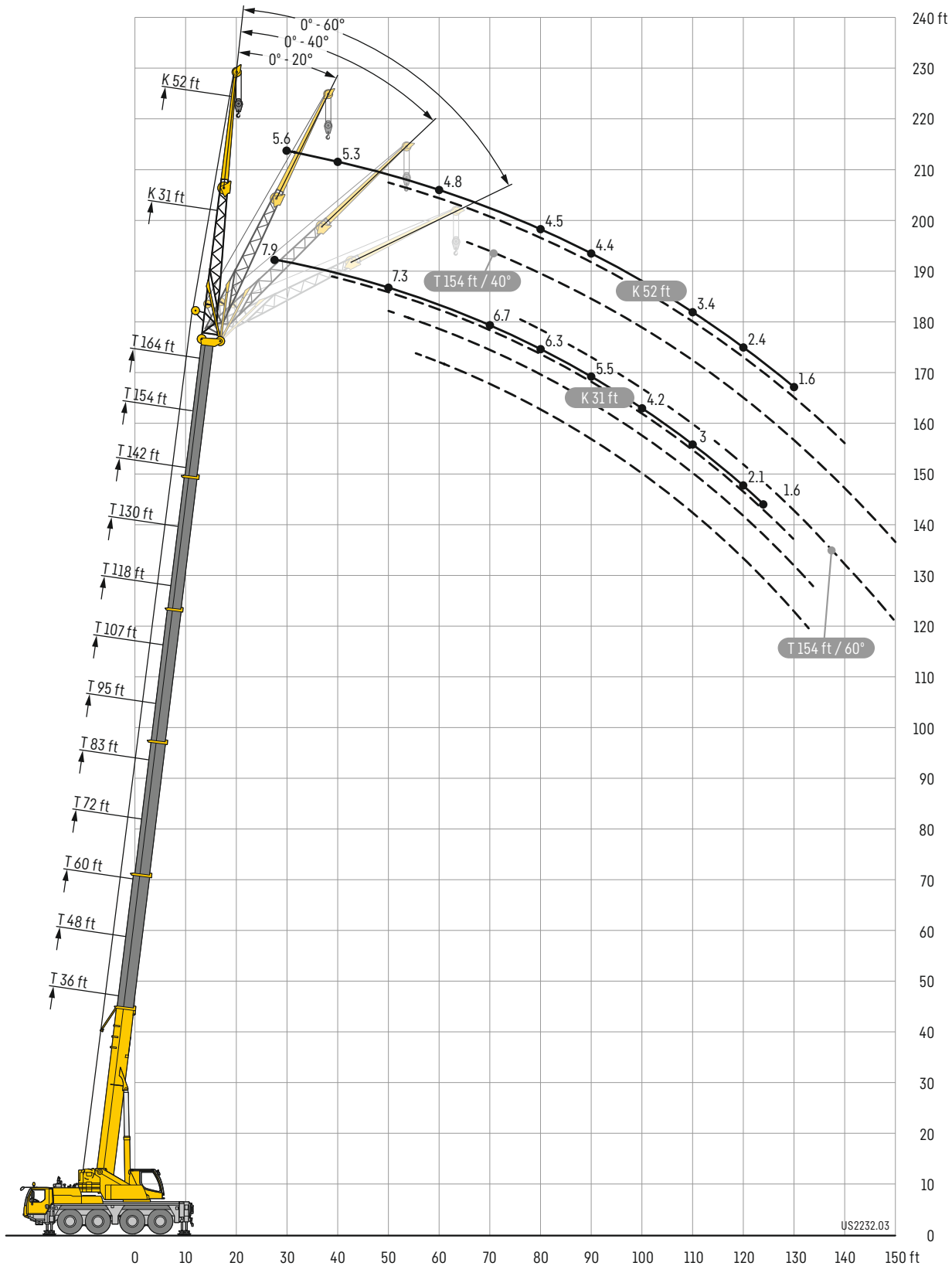
t\_189\_30837\_00\_000 / 30844\_00\_002 / 30847\_00\_002



# Lifting heights

## Hauteurs de levage

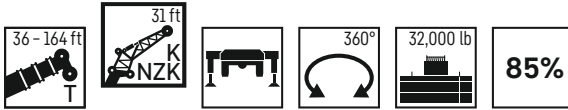
# TK/TNZK



# Lifting capacities

## Forces de levage

# TK/TNZK



	36 ft				48 ft				60 ft				72 ft				83 ft				95 ft								
	31 ft																												
	0°	20°	40°	60°	0°	20°	40°	60°	0°	20°	40°	60°	0°	20°	40°	60°	0°	20°	40°	60°	0°	20°	40°	60°		0°	20°	40°	60°
10	25				25				25				25				25												10
11	25				25				25				25				25												11
12	25	214			25				25				25				25				25								12
13	25	209			25				25				25				25				25								13
14	25	204			25	21			25				25				25				25								14
15	25	199			25	206			25				25				25				25								15
16	25	194			25	201			25	205			25				25				25								16
17	25	19			25	197			25	201			25				25				25								17
18	25	185			25	193			25	197			25	196			25				25								18
19	25	181			25	189			25	194			25	193			25				25								19
20	249	177	141		25	186			25	19			25	19			25	19			25								20
22	242	17	137		25	179	139		25	185			25	184			25	186			248	178							22
24	233	164	134		249	172	137		25	179	138		25	179			25	181			245	175							24
26	224	157	131	106	246	167	134		25	173	135		247	174	135		25	176			243	171							26
28	215	152	128	104	238	162	131	105	25	168	133		244	17	133		249	172	133		24	167							28
30	206	148	124	102	23	156	129	104	249	163	131	105	241	165	131		246	168	132		238	164	13						30
32	196	143	12	101	221	152	126	103	242	159	129	104	238	161	129	104	241	164	13		235	161	127						32
34	185	139	118	99	213	148	123	101	234	155	127	102	234	157	126	103	237	16	128	103	231	158	125						34
36	174	135	116	98	205	145	12	10	226	151	125	101	23	154	124	102	232	157	126	102	226	155	122	102					36
38	162	131	114	98	197	141	118	99	217	147	122	10	224	151	121	101	228	154	124	101	222	152	121	101					38
40	151/152*	127	112	97	187	138	116	98	209	145	119	99	217	148	12	10	223	151	122	101	217	149	12	10					40
45	132	118	107	96	164	13	112	97	189	138	115	98	20	141	116	98	21	145	118	99	205	144	117	99					45
50	114	113	104	96	143	122	108	96	171	131	111	97	184	136	113	97	194	138	114	98	192	139	114	98					50
55	102	108	103		128	116	105	96	152	124	108	96	168	13	11	97	169	132	112	97	172	134	112	97					55
60	92				113	112	103	96	136	118	106	96	152	125	108	96	145	127	11	96	15/151*	129	11	96					60
65					103	108	103		124	114	104	96	132/133*	119	106	96	126	122	108	96	132	124	108	96					65
70					95	106			111	111	103	96	116/117*	114	104	96	109	116	106	96	115	119	107	96					70
75									103	108/107*	103	96	102	107	103	96	94	102	104	96	10	107/108*	105	96					75
80									93	95/96*	94		9	94	97	95/94*	81/82*	88	92	93	88	94/95*	99	96					80
85													79	82	83/84*	79/8*	71	76/77*	79/8*	79/8*	77	83	86/87*	88					85
90													69/7*	72	71		61	66	68	67	67	72/73*	76	76					90
95													62			53	57	58	54	54	59	63	65/66*	65/66*					95
100																46	48/49*	48			51/52*	55	57	56					100
105																4	41				45	48	49	46/47*					105
110																					39	41	41						110
115																					34	35	33						115

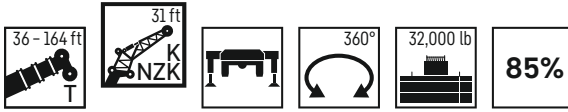
\*TNZK

t\_189\_30117\_01\_000 / 30189\_01\_000 / 30693\_00\_000 / 30711\_00\_000

# Lifting capacities

## Forces de levage

# TK/TNZK



	107 ft				118 ft				130 ft				142 ft				154 ft				164 ft					
	31 ft																									
	0°	20°	40°	60°	0°	20°	40°	60°	0°	20°	40°	60°	0°	20°	40°	60°	0°	20°	40°	60°	0°	20°	40°	60°		
14	24.2																								14	
15	24.1																								15	
16	24																								16	
17	23.9				17.7																				17	
18	23.8				17.6				11.7																18	
19	23.7				17.4				15.3																19	
20	23.5				17.3				15.2				10.4												20	
22	23.3				17.1				15				10.4												22	
24	23.1				16.8				14.8				10.4						9.3						24	
26	22.7	16.7			16.5				14.6				10.4					9.3				7.9			26	
28	22.5	16.4			16.3				14.4				10.3					9.2				7.8			28	
30	22.1	16.1			16.1	14.3			14.2	12.4			10.3					9.2				7.8			30	
32	21.8	15.8			15.9	14.2			14	12.3			10.3					9.1				7.7			32	
34	21.5	15.5	12.6		15.7	14.1			13.9	12.2			10.2	9.2				9.1				7.7			34	
36	21.2	15.3	12.4		15.6	14			13.7	12.2			10.2	9.2				9.1	8.2			7.6			36	
38	20.9	15.1	12.2	10.1	15.4	13.9	11.9		13.5	12.1			10.1	9.1				9	8.2			7.6	7		38	
40	20.6	14.9	12	10.1	15.2	13.6	11.8		13.3	12	11.3		10	9.1				8.9	8.2			7.6	7		40	
45	19.8	14.3	11.6	9.9	14.5	12.9	11.5	9.8	12.9	11.8	11.1	9.8	9.7	9	8.8			8.8	8.1	7.9		7.4	6.9		45	
50	18.2/18.3*	13.9	11.3	9.8	13.8	12.2	11.1	9.7	12.5	11.5	10.9	9.7	9.5	8.8	8.8	8.9		8.6	8	7.9		7.3	6.9	6.7	50	
55	15.8	13.5	11.2	9.7	13	11.6	10.7	9.6	12.1	11.2	10.5	9.6	9.2	8.6	8.6	8.7		8.4	7.9	7.9	8.1	7.2	6.8	6.7	-/6.9*	55
60	13.7/13.8*	13.1	11	9.7	12.2	11	10.3	9.6	11.7	10.8	10.1	9.6	8.8	8.4	8.3	8.3		8.1	7.9	7.8	8	7	6.8	6.7	6.9	60
65	12	12.6	10.9	9.6	11.6	10.5	9.9	9.5	11.1	10.4	9.8	9.5	8.4	8.1	7.9	8		7.9	7.8	7.6	7.8	6.9	6.8	6.6	6.9	65
70	10.8	11.5	10.7	9.6	10.9	10	9.5	9.4	10	10	9.5	9.3	7.9	7.7	7.6	7.7		7.6	7.5	7.4	7.5	6.7	6.7	6.5	6.7	70
75	10	10/10.1*	10.6	9.6	9.8	9.6	9.2	9.2	8.8	9.5	9.2	9.1	7.6	7.4	7.3	7.4		7.4	7.2	7.1	7.2	6.5	6.5	6.4	6.5	75
80	9.2	8.9	9.3	9.4	8.6/8.7*	9.2	8.9	8.9	7.7	8.6	8.8/8.9*	8.9	7.3	7	6.9	7		7.1	6.9	6.9	6.9	6.3	6.3	6.2	6.3	80
85	8.1	8.6	8.4	8.5	7.6	8.3	8.6	8.7	6.8	7.6	8.2	8.5	6.9	6.7	6.6	6.7		6.5/6.6*	6.6	6.6	6.7	6.1	6.1	6	6.1	85
90	7.2	7.7	8.1	8.2	6.7	7.3	7.8	8	6.4	6.7	7.2	7.5	6.6	6.4	6.4	6.5		5.8	6.3	6.3	6.4	5.5	5.8	5.8	5.9	90
95	6.3	6.8	7.2	7.2	5.8	6.4	6.8	7	6.1	6	6.3	6.5	5.8	6.2	6.1	6.2		5.1	5.7	6	6.2	4.8	5.4	5.6	5.7	95
100	5.6	6	6.3	6.3	5.1	5.6	6	6	5.6	5.7	5.7	5.8	5.1	5.7	5.9	6		4.4	5	5.4	5.7	4.2	4.8	5.2	5.4	100
105	4.9	5.2/5.3*	5.5	5.4	4.4	4.8/4.9*	5.2	5.2	4.9	5.4	5.5	5.6	4.5	5	5.3/5.4*	5.5		3.8	4.3	4.7	4.9	3.6	4.1	4.6	4.8	105
110	4.3	4.6	4.8	4.6	3.8	4.2	4.5	4.5	4.3	4.7	5	5	3.9	4.4	4.7	4.8		3.2	3.7	4.1	4.3	3	3.5/3.6*	4	4.1/4.2*	110
115	3.8	4	4.1	3.9	3.3	3.6	3.8/3.9*	3.8	3.7/3.8*	4.1	4.3	4.3/4.4*	3.3/3.4*	3.8	4	4.1		2.7	3.2	3.5	3.6	2.5	3	3.4	3.5/3.6*	115
120	3.3	3.5	3.5	3.1	2.8	3.1	3.3	3.1	3.2/3.3*	3.6	3.8	3.7	2.9	3.2/3.3*	3.5	3.5		2.2/2.3*	2.7	3	3.1	2.1	2.5	2.8	3	120
125	2.8/2.9*	3	2.9		2.3	2.6	2.7	2.5	2.8	3.1	3.2	3.1/3.2*	2.4	2.7/2.8*	3	2.9		1.8	2.2	2.5	2.5	1.6	2.1	2.4	2.5	125
130	2.5	2.5			1.9/2*	2.1	2.2	1.9	2.4	2.6	2.7	2.6	2	2.3	2.4/2.5*	2.4		1.4	1.8	2	2		1.6/1.7*	1.9	2	130
135					1.6	1.7	1.7		2	2.2	2.3	2.1	1.6	1.9	2	1.9			1.4	1.6	1.5/1.6*			1.5	1.5	135
140									1.7	1.8	1.9	1.6			1.5	1.6	1.5									140
145									1.4	1.5	1.4															145

\*TNZK

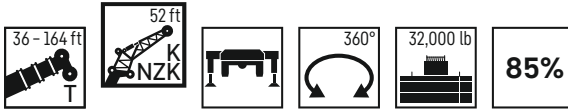
t\_189\_30117\_01\_000 / 30189\_01\_000 / 30693\_00\_000 / 30711\_00\_000



# Lifting capacities

## Forces de levage

# TK/TNZK



	36 ft				48 ft				60 ft				72 ft				83 ft				95 ft				
	0°	20°	40°	60°	0°	20°	40°	60°	0°	20°	40°	60°	0°	20°	40°	60°	0°	20°	40°	60°	0°	20°	40°	60°	
10	16.7				16.7				16.3				15.3												10
11	16.4				16.5				16.2				15.3												11
12	16.1				16.4				16				15.2				14.6								12
13	15.7				16.2				15.9				15				14.6				12.1				13
14	15.3				15.9				15.8				14.9				14.5				12.1				14
15	14.9				15.6				15.7				14.8				14.4				12.1				15
16	14.6				15.3				15.5				14.7				14.3				12.1				16
17	14.2				15				15.2				14.6				14.2				12.1				17
18	13.9				14.7				15				14.5				14.1				12.1				18
19	13.5				14.4				14.7				14.3				14				12.1				19
20	13.1				14				14.5				14.1				13.9				12.1				20
22	12.5				13.4				13.9				13.6				13.7				12.1				22
24	11.9	8.5			12.8	8.7			13.4				13.2				13.2				12.1				24
26	11.2	8.2			12.3	8.4			12.9	8.5			12.7				12.9				11.9				26
28	10.6	7.9			11.7	8.1			12.4	8.3			12.3	8.3			12.1				11.7				28
30	10.1	7.6			11.2	7.9			11.9	8			11.8	8.1			12.1	8.2			11.5				30
32	9.8	7.4			10.6	7.6			11.5	7.8			11.5	7.9			11.7	8			11.3	7.8			32
34	9.4	7.1			10.1	7.4			11	7.6			11.2	7.7			11.3	7.8			11.1	7.7			34
36	9.1	6.9			9.8	7.2			10.5	7.5			10.8	7.5			11	7.6			10.9	7.6			36
38	8.7	6.7	5.7		9.5	7	5.8		10	7.3			10.5	7.3			10.7	7.4			10.7	7.4			38
40	8.4	6.5	5.6		9.2	6.9	5.7		9.7	7.1	5.7		10.2	7.2			10.5	7.3			10.5	7.3			40
45	7.7	6.2	5.3		8.5	6.4	5.4		9.1	6.7	5.5		9.4	6.8	5.5		9.8	7	5.5		10	6.9			45
50	7.1	5.8	5.1	4.9	7.8	6.1	5.2	4.9	8.5	6.3	5.3	5	8.8	6.5	5.3		9.1	6.7	5.4		9.5	6.6	5.3		50
55	6.5	5.5	4.9	4.8	7.3	5.8	5	4.8	7.9	6.1	5.1	4.9	8.4	6.2	5.2	4.9	8.7	6.4	5.2	4.9	9	6.4	5.2	4.8	55
60	6.1	5.2	4.8	4.7	6.8	5.5	4.9	4.8	7.4	5.8	5	4.8	7.8	5.9	5	4.8	8.2	6.1	5.1	4.8	8.6	6.2	5.1	4.8	60
65	5.6/5.7*	4.9/5*	4.7	4.7	6.3	5.3	4.8	4.7	6.9	5.5	4.9	4.7	7.3	5.7	4.9	4.7	7.8	5.9	5	4.7	8.2	5.9	5	4.7	65
70	5.3	4.8	4.6	4.7	5.9	5	4.7	4.7	6.5	5.3	4.7	4.7	6.9	5.5	4.8	4.7	7.3	5.7	4.8	4.7	7.8	5.7	4.9	4.7	70
75	4.9	4.7	4.6		5.6	4.9	4.6	4.7	6.1	5.1	4.7	4.7	6.6	5.3	4.7	4.7	7	5.4	4.8	4.7	7.4	5.6	4.8	4.6	75
80	4.7	4.6			5.2	4.7	4.6	4.7	5.8	4.9	4.6	4.7	6.2	5.1	4.6	4.7	6.6	5.3	4.7	4.7	7.1	5.4	4.7	4.6	80
85					5	4.6	4.6		5.5	4.8	4.6	4.7	5.8/5.9*	5	4.6	4.7	6.3	5.1	4.6	4.7	6.8	5.2	4.6	4.6	85
90					4.7	4.6			5.2	4.7	4.6	4.7	5.6	4.8	4.5	4.7	6	5	4.6	4.7	6.5	5.1	4.6	4.6	90
95									4.9	4.6	4.6		5.3	4.7	4.5	4.7	5.7	4.8	4.5	4.7	6.3	5	4.6	4.6	95
100									4.7	4.6			5.1	4.6	4.5	4.7	5.5/5.4*	4.8	4.5	4.7	6	4.8	4.5	4.6	100
105													4.9	4.6	4.5		4.9	4.7	4.5	4.7	5.4	4.7	4.5	4.6	105
110													4.7	4.6	4.5		4.3	4.6	4.5	4.7/4.6*	4.8	4.7	4.5	4.6	110
115													4.6	4.6			3.8	4.3	4.4		4.2	4.6	4.5	4.6	115
120																	3.3	3.7	3.6		3.7	4.2	4.4	4.1	120
125																	2.9	3.1			3.3	3.6	3.8		125
130																					2.9	3.1	3.1		130
135																					2.5	2.7			135
140																					2.2				140

\*TNZK

t\_189\_30117\_01\_000 / 30189\_01\_000 / 30693\_00\_000 / 30711\_00\_000

# Lifting capacities

## Forces de levage

# TK/TNZK



	107 ft				118 ft				130 ft				142 ft				154 ft				164 ft			
	52 ft																							
	0°	20°	40°	60°	0°	20°	40°	60°	0°	20°	40°	60°	0°	20°	40°	60°	0°	20°	40°	60°	0°	20°		
16	11.3																						16	
17	11.3																						17	
18	11.3				9.6																		18	
19	11.3				9.6																		19	
20	11.3				9.6																		20	
22	11.3				9.6				8.9														22	
24	11.3				9.6				8.8				7.3										24	
26	11.3				9.6				8.8				7.2										26	
28	11.2				9.6				8.7				7.1				6.5						28	
30	11.1				9.5				8.7				7				6.4					5.6	30	
32	10.9				9.5				8.7				6.9				6.3					5.5	32	
34	10.7				9.4				8.6				6.8				6.3					5.4	34	
36	10.6	7.5			9.3				8.5				6.8				6.2					5.4	36	
38	10.4	7.4			9.2	7			8.5				6.7				6.1					5.3	38	
40	10.3	7.2			9.1	6.9			8.4				6.6				6					5.3	40	
45	9.9	6.9			8.9	6.6			8.2	6.5			6.5	5.8			5.9					5.1	45	
50	9.4	6.7	5.3		8.6	6.4			8	6.3			6.3	5.8			5.8	5.2				5	4.5	50
55	9	6.4	5.2		8.3	6.2	5.1		7.8	6.2	5.1		6.2	5.7			5.7	5.2				4.9	4.5	55
60	8.6	6.2	5.1	4.8	8.1	6	5		7.6	6	5		6.1	5.6	4.8		5.6	5.2				4.8	4.5	60
65	8.3	6	5	4.7	7.8	5.8	4.9	4.7	7.5	5.8	4.9	4.6	6	5.5	4.8		5.4	5.1	4.7			4.7	4.4	65
70	8	5.8	4.9	4.7	7.5	5.7	4.8	4.6	7.3	5.7	4.8	4.6	5.9	5.4	4.7	4.6	5.4	5.1	4.7			4.6	4.4	70
75	7.6	5.6	4.8	4.6	7.3	5.5	4.8	4.6	7.1	5.5	4.7	4.6	5.8	5.3	4.6	4.5	5.3	5.1	4.6	4.5		4.6	4.4	75
80	7.3	5.4	4.7	4.6	7.1	5.4	4.7	4.6	7	5.4	4.7	4.6	5.7	5.2	4.6	4.5	5.2	5	4.5	4.5	4.5	4.5	4.4	80
85	7	5.3	4.7	4.6	6.8	5.3	4.6	4.6	6.8	5.3	4.6	4.5	5.6	5.1	4.5	4.5	5.2	5	4.5	4.5	4.5	4.5	4.4	85
90	6.7	5.1	4.6	4.6	6.6	5.1	4.6	4.6	6.4/6.5*	5.1	4.6	4.5	5.4	5	4.5	4.5	5.1	4.9	4.5	4.5	4.5	4.4	4.3	90
95	6.2	5	4.6	4.6	6.3	5	4.6	4.6	5.7	5	4.5	4.5	5.2	4.9	4.5	4.5	5	4.8	4.4	4.5	4.5	4.3	4.3	95
100	6	4.9	4.5	4.6	5.8	4.9	4.5	4.6	5.1	4.9	4.5	4.5	5.1	4.8	4.4	4.5	4.6	4.7	4.4	4.5	4.5	4.3	4.3	100
105	5.7/5.6*	4.8	4.5	4.6	5.2	4.8	4.5	4.6	4.8	4.8	4.5	4.5	4.8	4.6	4.4	4.5	4.1	4.6	4.4	4.5	3.9/3.8*	4.2	105	
110	5/5.1*	4.7	4.5	4.6	4.5/4.6*	4.7	4.5	4.6	4.6	4.6	4.4	4.5	4.3	4.5	4.3	4.5	3.6	4.5	4.3	4.4	3.4/3.3*	4.1	110	
115	4.5	4.6	4.5	4.6	4	4.6	4.5	4.6	4.3	4.4	4.4	4.5	3.8	4.4	4.3	4.4	3.1	3.9	4.3	4.4	2.9/2.8*	3.7	115	
120	4	4.4	4.5	4.6	3.5	4.1	4.4	4.5	3.8	4.2	4.3	4.4	3.3	4.1	4.2	4.4	2.6	3.4	4/4.1*	4.2	2.4	3.2	120	
125	3.5	4	4.2	4.1	3	3.6	4	4	3.3	3.9	4.1	4.2	2.9	3.6	4	4.2	2.2	2.9/3*	3.5	3.8	2	2.8/2.7*	125	
130	3.1	3.5	3.7	3.4	2.6	3.1	3.4	3.3/3.4*	2.9	3.4/3.5*	3.8	3.8	2.5	3.1	3.5	3.6	1.8	2.5	3	3.2	1.6	2.3	130	
135	2.7	3	3.1/3.2*	2.7	2.2	2.7	2.9	2.8	2.5	3	3.3	3.3	2.1	2.6/2.7*	3	3.1	1.5	2.1	2.6	2.7		1.9	135	
140	2.4	2.6	2.6		1.9	2.3	2.4	2.2	2.2	2.6	2.8	2.8	1.7/1.8*	2.3	2.6	2.6		1.7	2.1	2.2		1.6	140	
145	2.1	2.2	2		1.6	1.9	2	1.6	1.8/1.9*	2.2	2.4	2.3	1.4	1.9	2.2	2.1		1.3/1.4*	1.7	1.8			145	
150	1.8	1.8				1.5	1.5		1.5	1.9	2	1.8		1.5/1.6*	1.8	1.7				1.3	1.4			150
155									1.5	1.6					1.4									155

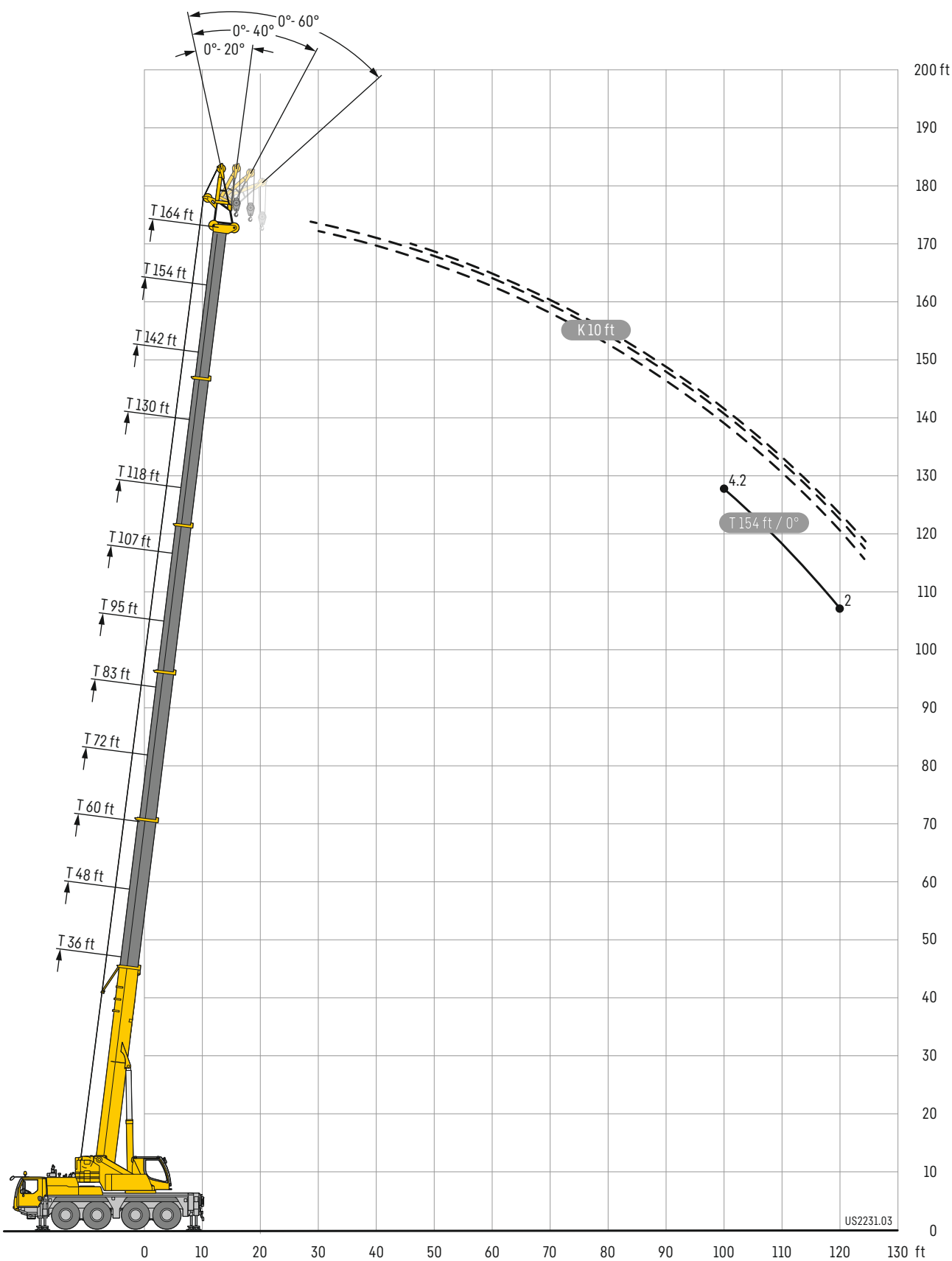
\*TNZK

t\_189\_30117\_01\_000 / 30189\_01\_000 / 30693\_00\_000 / 30711\_00\_000

# Lifting heights

## Hauteurs de levage

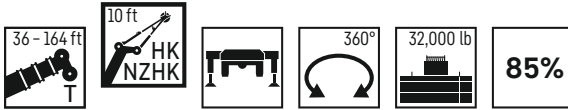
# THK/TNZHK



# Lifting capacities

## Forces de levage

# THK/TNZHK



	36 ft				48 ft				60 ft				72 ft				83 ft				95 ft						
	10 ft																										
	0°	20°	40°	60°	0°	20°	40°	60°	0°	20°	40°	60°	0°	20°	40°	60°	0°	20°	40°	60°	0°	20°	40°	60°			
10		68.9	56.8	48.5			59.6	49.9			60.4	50.3			59.9											10	
11		67.8	55.5	47.6		70.5	58.5	49.1			59.4	49.7			59.1											11	
12		66.7	54.4	46.8		70	57.4	48.5			58.4	49.1			58.4	49.1			54.1							12	
13		65.5	53.2	46		69	56.1	47.8			57.5	48.5			57.6	48.7			53.6							13	
14		64.5	52.1	45.4		68	55.2	47.2		70.5	56.5	47.9			56.7	48.3			53.1	46.8				39.3		14	
15		63	51	44.7		67.2	54.2	46.6		70.3	55.7	47.5			56	48			52.6	46.4				47.5		15	
16		61.5	50	44		66.2	53.4	46		69.6	54.8	46.9			55.4	47.6			52.2	46				46.8	34.9	16	
17		60	49	43.4		65.3	52.4	45.5		68.4	53.9	46.4			54.7	47.2			51.6	45.7				46.2	42.4	17	
18		58.5	48.2	42.9		64.2	51.5	44.9		67.3	53.2	45.9		66.4	54	46.7			51.1	45.3				45.5	41.6	18	
19		56.9	47.4	42.4		63.1	50.6	44.4		66.1	52.5	45.4		65.7	53.3	46.4			50.5	45				44.9	41	19	
20	66.3	55.5	46.5	41.9		61.9	49.9	43.9		64.6	51.8	45		64.5	52.6	45.9		54.2	49.7	44.6				44.2	40.3	20	
22	60.8	52.7	44.9	41		59.5	48.5	43		60.9	50.4	44.2		61.3	51.5	45.1		52.4	48.4	44				42.8	39	22	
24	55.7	50.7	43.6	40.3		56.2	47.2	42.3		56.6	49	43.5		56.3	50.4	44.4		50.5	47.1	43.4			45.2	41.3	37.8	24	
26	51	48.6	42.5	39.8		51.8	45.9	41.6		51.8	47.9	42.7		51.5	49	43.8		48.2	45.6	42.9			44.2	40	36.8	26	
28	47	46.7	41.4	39.4	47.1	47.6	44.6	40.8		47.8	46.9	42.2		47.5	47.8	43.2		44.8	43.9	42			43.2	38.6	35.6	28	
30	43.4	43.9	40.6	39.2	43.5	44	43.4	40.3		44.1	44.4	41.6		43.6	44.3	42.3		40.7	41.6	40.5			40.4	37.3	34.5	30	
32	39.9	40.3	39.9	39.2	40	40.6	41	40		40.5	41.1	40.5		40.3	41	41		38.8	38.1	38.5			37.3	36.2	33.6	32	
34	36.8	37.1	37.4	37.5	36.9	37.3	37.8	38.1	37	37.5	37.9	38.3		36.9	37.7	38.2		36.5	34.9	35.5			34.3	34.8	32.8	34	
36	34.1	34.3	34.5	34.5	34.2	34.6	35	35.1	34.1	34.6	35.1	35.4		33.9	34.6	35.2		33.8	32.6	32.8			31.7	32.4	31.8	36	
38	31.2	31.5	31.6	31.4	31.3	31.8	32.1	32.3	31.6	31.9	32.3	32.6		32.3	32	32.5		31.4	31.6	30.3/30.4*			29.3	30.1	30.2	38	
40					28.7	29.1	29.5	29.6	29.6	29.2	29.6	29.9		30	29.4	29.8		29.2/29.3*	29.8	29.4			27.4	28	28.4	40	
45					23.7	23.9	24.1	24.1	24.4	24.8	24.4	24.5	24.4	24.4	25.1	25.4		24.4	24.7	25			23.2	23.6	23.9	45	
50					20.3	20.1	20.2	20.4	20.6	20.9	21.1	21.2	20.5	20.8	21.1	21.3	20.2	20.5	20.8	21			20.3	20.1	20.4	50	
55									17.7	17.8	18	18	17.5	17.7	18	18.2	17.6	17.5	17.6	17.8			17.6	17.8	17.5	55	
60									15.3	15.5	15.6	15.5	15.1	15.3	15.5	15.7	15.1	15.4	15.5	15.6	15.2		15.3	15.5	15.6	60	
65													13.5	13.4	13.5	13.6	13.3	13.4	13.6	13.7	13.3		13.5	13.7	13.8	65	
70													12	12.1	12.2	12.1	12.1	12	11.9	12	11.6		11.8	12.1	12.1	70	
75														10.8							10.3		10.5	10.6	10.7	75	
80																		9.6	9.7	9.7	9.8		9.2	9.2	9.4	9.4	80
85																		8.6	8.6	8.7	8.6		8.2	8.3	8.4	8.4	85
90																						7.7	7.7	7.6	7.7	90	
95																						6.9	7	7	7	95	

\*TNZHK

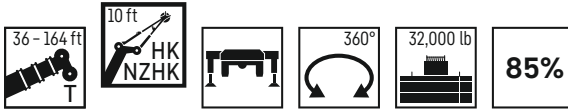
†189\_30261\_01\_000 / 30729\_00\_000



# Lifting capacities

## Forces de levage

# THK/TNZHK



	107 ft			118 ft				130 ft				142 ft				154 ft				164 ft					
	10 ft																								
	0°	20°	40°	60°	0°	20°	40°	60°	0°	20°	40°	60°	0°	20°	40°	60°	0°	20°	40°	60°	20°	40°		60°	
17			38.5																					17	
18			38.3																					18	
19			38.2	31.1			23																	19	
20			38.1	38.5			29.3																	20	
22			37.8	37.6			28.7	27.8				23.5												22	
24			37.5	36.8			28	27.1				23.2	19.9				18.5							24	
26		35.6	36.5	35.9			27.4	26.4				22.9	22.8				18.4							26	
28		34.6	35.2	34.9			26.8	25.7				22.6	22.4				18.2	18.5			14.3			28	
30		33.4	33.9	33.6			27.6	26.2	25.1			22.3	22				18.1	18.3			14.2	14.4		30	
32		32.4	32.5	32.4			26.9	25.5	24.5			22.4	21.9	21.6			17.9	18			14.2	14.2		32	
34		31.3	31.2	31.2			26.3	24.8	23.9			22	21.5	21.1			17.7	17.8			14	14.1		34	
36		29.6	29.8	30.1			25.7	24.2	23.3			21.6	21.1	20.7			17.4	17.4	17.5		13.9	14		36	
38		27.6	28.1	28.6			25	23.5	22.7			21.2	20.6	20.2			17	17.1	17.2		13.7	13.8	13.8	38	
40		25.5	26.1	26.6			24.2	22.9	22.1			20.8	20.2	19.8			16.7	16.7	16.8		13.5	13.6	13.6	40	
45		22.6	21.9	22.4			21.4	21.5	20.9			19.6	19	18.7			15.9	15.8	15.9		12.9	12.8	12.9	45	
50		19.6	19.8	19.5			18.8	18.6	18.9			17.8	17.8	17.6			15.1	14.9	14.9		12.3	12.1	12.1	50	
55		17.3	17.3	17.5			16.5	16.8	16.9			15.5	15.8	16			14.1	14	13.9		11.7	11.4	11.4	55	
60		15.1	15.3	15.4			14.4	14.7	14.9			13.5	13.7	13.9			13	13	13		11.1	10.9	10.8	60	
65	13.1	13.1	13.3	13.4			12.6	12.8	13.1			12.5	12.4	12.4			11.4	11.7	11.9		10.5	10.4	10.3	65	
70	11.6	11.8	11.8	11.7			11.1	11.3	11.3			11.1	11.3	11.3			10	10.2	10.4		9.8	9.8	9.8	70	
75	10.3	10.5	10.6	10.7	10.1	10.3	10.3	10.2	9.6	9.9	10	10.2	10.2	10.2			9.5	9.4	9.3		8.7	8.9	9.1	75	
80	9.3	9.3	9.3	9.4	8.8	9	9.2	9.3	8.5	8.7	8.8	8.9	8.9	8.9			8.5	8.6	8.8		7.6	7.8	8	80	
85	8.2	8.4	8.5	8.6	8.1	8	8.1	8.1	7.7	7.9	7.9	8	7.3	7.5	7.7	7.8					6.7	6.8	7	85	
90	7.3	7.4	7.5	7.6	7.2	7.4	7.4	7.5	6.7	6.9	7.1	7.1	6.4	6.6	6.7	6.8					5.8	6	6.1	90	
95	6.5	6.6	6.6	6.7	6.4	6.5	6.6	6.7	5.9	6.1	6.2	6.3	5.5	5.7	5.8	5.9					5	5.2	5.3	95	
100	5.8	5.9	6	6	5.6	5.8	5.8	5.9	5.2	5.3	5.5	5.5	4.8	5	5.1	5.2	-/4.2*	4.4	4.5	4.6	4.4	4.5	4.6	100	
105	5.2	5.3	5.3	5.3	5	5.1	5.2	5.2	4.5	4.7	4.8	4.8	4.2	4.3	4.4	4.5	-/3.6*	3.7	3.9	4	3.7	3.9	4	105	
110	4.7	4.7	4.7		4.4	4.5	4.6	4.6	4	4.1	4.1	4.2	3.5	3.7	3.8	3.8	-/3*	3.1	3.3	3.3	3.2	3.3	3.4	110	
115					3.9	4	4	4	3.4	3.5	3.6	3.6	3	3.2	3.2	3.3	-/2.5*	2.6	2.7	2.7	2.7	2.8	2.8	115	
120					3.5	3.5	3.5	3.5	3	3	3.1	3.1	2.5	2.7	2.7	2.8	-/2*	2/2.1*	2.1/2.2*	2.2	2.1/2.2*	2.2/2.3*	2.3	120	
125									2.5	2.6	2.6	2.6	2.1	2.2	2.3	2.3		-/1.7*	-/1.8*	-/1.8*	-/1.7*	-/1.8*	1.7/1.9*	125	
130									2.2	2.2	2.2	2.2	-/1.7*	1.7/1.8*	1.8/1.9*	1.7/1.8*								130	

\*TNZHK

†189\_30261\_01\_000 / 30729\_00\_000

# Equipment

## Crane carrier

<b>Frame</b>	Self-manufactured, weight-optimized and torsion resistant box-type design of high-tensile structural steel.
<b>Outriggers</b>	4-point supporting system, hydraulically telescopic into horizontal and vertical direction. Operation with remote control, automatic support leveling, electronic inclination display.
<b>Engine</b>	6-cylinder Diesel, make Liebherr, watercooled, output 330 kW (449 h.p.), max. torque 1722 lb-ft. Exhaust emissions acc. to (EU) 2016/1628, EPA/CARB or ECE-R.96. Fuel reservoir: 108 gallons.
<b>Transmission</b>	ZF 12-speed gear box with automatic control system. Single-stage transfer case with lockable transfer differential.
<b>Axles</b>	Low maintenance carrier axles, all 4 axles steered. Axle 3 and 4 are equipped with planetary gears, all driven axles with transverse differential locks, axle 3 with longitudinal differential lock.
<b>Suspension</b>	All axles are mounted on hydropneumatic suspension – “Niveaumatik suspension” and are lockable hydraulically.
<b>Tyres</b>	8 tyres, size: 445/95 R 25 (16.00 R 25).
<b>Steering</b>	ZF-servocom power steering, dual circuit system, with hydraulic servo system and auxiliary pump circuit. 1. and 2. axle mechanically, 3. and 4. axle hydromechanically speed regulated steered.
<b>Brakes</b>	Service brake: all-wheel servo-air brake, all axles are equipped with disc brakes, dual circuit. Hand brake: Spring-loaded, acting on all wheels of axles 1, 2 and 4. Sustained-action brake: Exhaust retarder with additional Liebherr braking system.
<b>Driver's cab</b>	Spacious corrosion resistant with comfort furnishings, mounted on rubber shock absorbers, safety glazing.
<b>Electrical system</b>	Modern data bus technique, 24 Volt DC.

## Crane superstructure

<b>Frame</b>	Self-manufactured, cataphoretic dip-primed weight-optimized and torsion resistant welded design of high-tensile structural steel; single-row ball bearing slewing ring, for continuous rotation.
<b>Crane drive</b>	Diesel-hydraulic with 1 axial variable displacement pump with automatic capacity control, 1 double gear pump, driven by the carrier Diesel engine, open regulated oil circuits with electrically controlled “load sensing”, operation of 4 movements simultaneously.
<b>Control</b>	Electrical control of drives by self-centering joysticks, armrest-integrated control elements, Liebherr system bus (LSB).
<b>Hoist gear</b>	Axial piston fixed displacement motor, Liebherr hoist drum with integrated planetary gear and spring-loaded static brake.
<b>Luffing gear</b>	1 differential ram with pilot-controlled brake valve.
<b>Slewing gear</b>	Axial piston fixed displacement motor, planetary gear, spring-loaded static brake. Slewing gear invertible from released to locked as a standard feature.
<b>Crane cab</b>	Large screen area, compound glass, comfort furnishing, cabin tiltable 20° to rear.
<b>Safety devices</b>	LICCON2 safe load indicator, test system hoist limit switch, safety valves to prevent pipe and hose ruptures.
<b>Telescopic boom</b>	1 base section and 5 telescopic sections. All telescopic sections hydraulically extendable independent of one another. Rapid-cycle telescoping system Telematik. Boom length: 36 ft - 164 ft.
<b>Counterweight</b>	23,600 lb basic counterweight.
<b>Electrical system</b>	Modern data bus technique, 24 Volt DC.

## Additional equipment

<b>K/HK</b>	Single folding jib, 31 ft Double swing-away jib 31 ft – 52 ft Assembly jib 10 ft long and incorporated into the swing-away jib (optional pulley set required). Mechanical adjustment 0°; 20°; 40°; 60°
<b>NZK/NZHK</b>	Single folding jib, 31 ft Double swing-away jib 31 ft – 52 ft Assembly jib 10 ft long and incorporated into the swing-away jib (optional pulley set required). Hydraulic adjustment 0° – 60°
<b>2<sup>nd</sup> hoist gear</b>	For two-hook operation or for operation with swing-away jib if the hoist rope shall remain reeved.
<b>Additional counterweight</b>	8,400 lb for a total counterweight of 32,000 lb.
<b>Tyres</b>	8 tyres, size 525/80 R 25 (20.5 R 25).
<b>Drive 8 x 6</b>	Additional drive of the 1st axle.
<b>Other items of equipment available on request.</b>	

# Équipement

## Châssis porteur

<b>Cadre</b>	Construction en caisse résistante à la torsion et optimisée en poids réalisée par Liebherr en acier de construction à grain fin très rigide.
<b>Calage</b>	Dispositif de calage horizontal et vertical en 4 points, entièrement déployable hydrauliquement. Utilisation avec commande à distance, mise à niveau automatique du calage, inclinomètre électronique.
<b>Moteur</b>	Moteur diesel, 6 cylindres, fabriqué par Liebherr, à refroidissement par eau, de 330 kW (449 ch), couple max. 1722 lb-ft. Emissions des gaz d'échappement conformes au directive (EU) 2016/1628, EPA/CARB ou ECE-R.96. Capacité du réservoir à carburant: 108 gallons.
<b>Boîte de vitesse</b>	Boîte de vitesses ZF à 12 rapports, mécanisme automatisé à commande. Boîte de transfert à un niveau avec blocage de différentiel.
<b>Essieux</b>	Essieux nécessitant peu d'entretien, les 4 essieux sont directeurs. Les essieux 3 et 4 sont des essieux planétaires, tous les essieux moteurs avec différentiel transversal et l'essieu 3 avec différentiel longitudinal.
<b>Suspension</b>	Suspension hydropneumatique «Niveaumatik» - sur tous les essieux. Chaque essieu peut être bloqué hydrauliquement.
<b>Pneumatiques</b>	8 pneus de taille: 445/95 R 25 (16.00 R 25).
<b>Direction</b>	Direction hydraulique ZF-servocom, à deux circuits, assistée hydrauliquement, avec pompe auxiliaire entraînée par essieu. 1er et 2ème essieu dirigés mécaniquement en fonction de la vitesse, 3ème et 4ème essieu dirigés électrohydrauliquement en fonction de la vitesse.
<b>Freins</b>	Freins de service: servofrein à air comprimé, tous les essieux sont munis de freins à disque, à 2 circuits. Frein à main: par cylindres à ressorts, agissant sur les roues des essieux 1,2 et 4. Frein à régime continu: Ralentisseur sur échappement avec système de freinage additionnel Liebherr.
<b>Cabine</b>	Spacieuse cabine, traitement anticorrosion, équipement «grand confort», suspension par silentbloks, vitrage de sécurité.
<b>Installation électrique</b>	Technique moderne de transmission de données par BUS de données, courant continu 24 Volts.

## Partie tournante

<b>Cadre</b>	Construction soudée résistante à la torsion et optimisée en poids réalisée par Liebherr en acier de construction à grain fin très rigide. Couronne d'orientation à 1 rangée de billes, permettant une rotation illimitée.
<b>Entraînement</b>	Diesel hydraulique avec 1 pompe double à débit variable et régulation de puissance automatique, 1 pompe à engrenages double, entraînés par le moteur Diesel du porteur, circuits hydrauliques ouverts avec «load sensing», régulé électriquement. 4 mouvements simultanés praticables.
<b>Commande</b>	Commande électrique des mécanismes par leviers de manoeuvre à centrage automatique, commandes de grue «grand confort» intégrées aux accoudoirs du siège, Liebherr système bus.
<b>Mécanisme de levage</b>	Moteur à cylindrée constante et à pistons axiaux. Treuil de marque Liebherr équipé d'un engrenage planétaire et d'un frein d'arrêt commandé par ressort.
<b>Mécanisme de relevage</b>	1 vérin différentiel avec clapet de frein commandé.
<b>Dispositif de rotation</b>	Moteur à cylindrée constante à pistons axiaux, engrenage planétaire, frein d'arrêt commandé par ressort. Orientation de série commutable en circuit hydraulique ouvert ou fermé (freinage automatique ou au pied).
<b>Cabine de grue</b>	Construction en tôle d'acier entièrement zinguée avec peinture par poudrage et cuisson au four, avec glaces de sécurité, appareils de commande et de contrôle, équipement confortable. Cabine inclinable vers l'arrière.
<b>Dispositif de sécurité</b>	Contrôleur de charge «LICCON2», système test limitation de la course pour le levage, soupape de sûreté contre la rupture de tubes et de tuyaux.
<b>Flèche télescopique</b>	1 élément de base et 5 éléments télescopiques. Tous les éléments télescopables indépendamment les uns des autres. Système de télescopage séquentiel rapide Telematik. Longueur de flèche: 36 ft - 164 ft.
<b>Contrepoids</b>	Contrepoids principal de 23,600 lb.
<b>Installation électrique</b>	Technique moderne de transmission de données par BUS de données. Courant continu 24 Volts.

## Équipement supplémentaire

<b>K/HK</b>	Fléchette pliante simple, longueur 31 ft Double fléchette pliante 31 ft - 52 ft Fléchette de montage 10 ft, intégrée à la fléchette pliante (jeu de poulies, en option, nécessaire). Réglage mécanique 0° ; 20° ; 40° ; 60°
<b>NZK/NZHK</b>	Fléchette pliante simple, longueur 31 ft Double fléchette pliante 31 ft - 52 ft Fléchette de montage 10 ft, intégrée à la fléchette pliante (jeu de poulies, en option, nécessaire). Réglage hydraulique 0° - 60°
<b>2ème mécanisme de levage</b>	Pour l'utilisation du deuxième crochet, ou bien pour une utilisation avec fléchette pliante lorsque le câble de levage principal rest mouflé.
<b>Contrepoids additionnel</b>	8,400 lb pour un contrepoids total de 32,000 lb.
<b>Pneumatiques</b>	8 pneus. Taille: 525/80 R 25 (20.5 R 25).
<b>Entraînement 8 x 6</b>	Essieu 1 est entraîné additionnellement.
<b>Autres équipements supplémentaires sur demande.</b>	

# Description of symbols

## Explication des symboles



**Max. capacity**  
Capacité max.



**Outriggers front**  
Calage avant



**Radius**  
Portée



**Max. hoist height**  
Hauteur de levage max.



**Outriggers rear**  
Calage arrière



**Telescopic boom**  
Flèche télescopique



**Max. radius**  
Portée max.



**Crane superstructure**  
Partie tournante de la grue



**Mechanically/hydraulically adjustable folding jib including integral erection jib**  
Pointe pliante réglable mécaniquement/ hydrauliquement avec fléchette de montage intégrée



**Tyres**  
Pneumatiques



**infinitely variable**  
en continu



**Mechanically/hydraulically adjustable assembly jib**  
Fléchette de montage réglable mécaniquement/hydrauliquement



**Hookblock/Capacity**  
Moufle à crochet/Capacité de charge



**Rope diameter**  
Diamètre



**No. of sheaves**  
Poulies



**Rope length**  
Longueur du câble



**No. of lines**  
Brins



**Max. single line pull**  
Effort au brin maxi.



**Weight**  
Poids



**Hoist gear**  
Treuil de levage



**Crane carrier**  
Châssis porteur



**Slewing speeds**  
Vitesses d'orientation



**Driving speed**  
Vitesse de translation



**Boom length**  
Longueur de la flèche



**Gradability**  
Aptitude à gravir les pentes



**Boom position**  
Position de la flèche



**Transmission**  
Boîte de vitesse



**Counterweight**  
Contrepoids



**Gear**  
Vitesse



**Outriggers**  
Calage



**Onroad gear**  
Vitesse de route



**Outriggers - free on tyres**  
Calage - libre sur pneus



**Crawl speed**  
Marche lente



**Slewing gear / Working area**  
Mécanisme d'orientation / Plage de travail



**Max. supporting forces**  
Forces d'appui max.



**Standard**  
Norme



## Remarks

1. The lifting capacities do not exceed 85 % of the tipping load according to ASME B 30.5. The crane's structural steelwork is in accordance with EN 13000 and ASME B 30.5.
2. For the calculation of the load charts at least a wind speed of 30 ft/s (9 m/s, 20 mph) and regarding the load a sail area of 1 m<sup>2</sup> per ton load and a wind resistance coefficient of 1.2 on the load have been taken into account. For lifting of loads with large sail areas and/or high wind resistance coefficients the maximum wind speed as stated in the load charts has to be reduced.
3. The lifting capacities stated are valid for lifting operation only (corresponding with crane classification according to ISO 4301-1, crane group A1).
4. Lifting capacities are given in kip.
5. The weight of the hook blocks and hooks is part of the load and therefore it must be deducted from the lifting capacities.
6. Working radii are measured from the slewing center.
7. The stated lengths of the telescopic boom are maximum values and may deviate slightly.
8. The lifting capacities given for the telescopic boom apply if the folding jib is removed.
9. Subject to modification of lifting capacities.
10. Lifting capacities above 117,950 lb only with additional pulley block.
11. The data of this brochure serves only for general information. All information is provided without warranty. Instructions for the correct commissioning of the crane please take from the operation manual and the load chart book.
12. The illustrations in this brochure may feature accessories and special equipment not included in the standard scope of delivery.

## Remarques

1. La capacité de charge ne doit pas dépasser 85 % de la charge de basculement conformément à ASME B 30.5. La structure métallique de la grue est conforme à EN 13000 et ASME B 30.5.
2. Une vitesse de vent de 30 ft/s (9 m/s, 20 mph) minimum, une surface de prise au vent de 1 m<sup>2</sup> par tonne ainsi qu'un coefficient de résistance au vent de la charge 1,2 sont pris en compte pour le calcul des tableaux de charge. Lorsque des charges ayant une surface de prise au vent et/ou un coefficient de résistance au vent plus élevé(e)s sont levées, la vitesse de vent maximale indiquée dans les tableaux de charge doit être réduite.
3. Forces de levage pour application de grue de montage (correspond à la classification de grues selon ISO 4301-1, groupe de grues A1).
4. Les charges sont indiquées en kip.
5. Le poids du crochet de levage resp. de la moufle à crochet est une partie de la charge et doit donc être déduit de la capacité de charge.
6. Les portées sont calculées à partir de l'axe de rotation.
7. Les longueurs indiquées pour la flèche télescopique sont des valeurs maximales et peuvent légèrement varier dans la réalité.
8. Les charges indiquées pour la flèche télescopique sont valables lorsque la fléchette pliante est démontée.
9. Charges données sous réserve de modification.
10. Forces de levage plus de 117,950 lb seulement avec moufle additionnel.
11. Les données de cette brochure sont données à titre informatif. Ces renseignements sont sans garantie. Les consignes relatives à la bonne mise en service de la grue sont disponibles dans le manuel d'utilisation et le manuel de tableaux de charge.
12. Les figures contiennent également des accessoires et des équipements spéciaux non inclus de série dans la livraison.

# MyLiebherr

Our MyLiebherr portal is the easy way for you to access Liebherr's digital service world.  
Take advantage of extensive basic and additional services for your mobile and crawler cranes.

Avec notre portail MyLiebherr, accédez facilement à l'univers numérique du service de Liebherr.  
Bénéficiez dès maintenant d'un service global et de prestations complémentaires pour vos grues mobiles et sur chenilles.



## One portal, all services

# MyLiebherr



Planning

**Crane Finder**



Operations

**Performance**



Planning

**Crane Planner 2.0**



Operations

**Documents**



Maintenance

**Spare Parts Catalogue**



Planning

**LICCON Work Planner**



Training

**Digital Crane Operator**



Maintenance

**Parts Shop**

### Proposition 65



**WARNING:** This product can expose you to chemicals, including exhaust emissions, including lead and lead compounds, which are known to the State of California to cause cancer, birth defects or other reproductive harm.  
For more information see: [www.P65warnings.ca.gov/diesel](http://www.P65warnings.ca.gov/diesel)

Subject to modification · Sous réserve de modifications

Liebherr-Werk Ehingen GmbH · Postfach 1361 · 89582 Ehingen, Germany  
Phone +49 73 91 5 02-0 · [www.liebherr.com](http://www.liebherr.com)

MyLiebherr



Printed in Germany (1)  
lwe-td-189-05-us11-2023