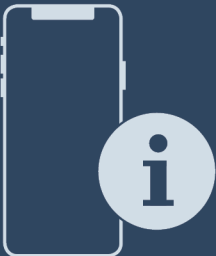
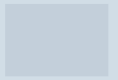


User Guide

Quality, Design and Innovation



[home.liebherr.com/fridge-manuals](http://home.liebherr.com/fridge-manuals)



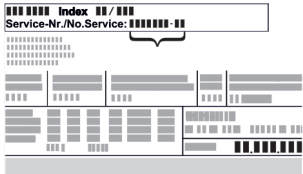






# LIEBHERR

# Contents

<b>1</b>	<b>Appliance at a glance.....</b>	<b>3</b>	<b>7</b>	<b>Features.....</b>	<b>38</b>
1.1	Scope of supply.....	3	7.1	Safety lock.....	38
1.2	Overview of appliances and equipment.....	3	7.2	Sensors.....	38
1.3	Special features.....	4	7.3	Interfaces.....	39
1.4	Range of use of appliance.....	4	<b>8</b>	<b>Maintenance.....</b>	<b>39</b>
1.5	Appliance noise emissions.....	4	8.1	Maintenance schedule.....	39
1.6	Conformity.....	5	8.2	Defrosting appliance.....	40
1.7	SVHC substances according to REACH regulation.....	5	8.3	Cleaning the appliance.....	41
<b>2</b>	<b>General safety instructions.....</b>	<b>5</b>	<b>9</b>	<b>Customer help.....</b>	<b>42</b>
<b>3</b>	<b>Functionality of the Touch display.....</b>	<b>7</b>	9.1	Technical specifications.....	42
3.1	Navigation and symbol explanation.....	7	9.2	Technical fault.....	42
3.2	Menus.....	7	9.3	Customer Service.....	43
3.3	Sleep mode.....	8	9.4	Type plate.....	43
<b>4</b>	<b>Putting into operation.....</b>	<b>8</b>	<b>10</b>	<b>Shutting down.....</b>	<b>43</b>
4.1	Installation conditions.....	8	<b>11</b>	<b>Disposal.....</b>	<b>43</b>
4.2	Appliance dimensions.....	9	11.1	Preparing appliance for disposal.....	43
4.3	Transporting appliance.....	9	11.2	Disposing of the appliance in an environmentally friendly manner.....	43
4.4	Unpacking appliance.....	9	<b>12</b>	<b>Additional information.....</b>	<b>44</b>
4.5	Connect power cable.....	9	<b>13</b>	<b>Quick Start Guide for everyday use.....</b>	<b>45</b>
4.6	Mounting the anti-tipping device.....	10			
4.7	Installing appliance.....	10			
4.8	Installing multiple appliances.....	10			
4.9	After installation.....	11			
4.10	Disposing of packaging.....	11			
4.11	Reversing the door opening direction.....	11			
4.12	Aligning the door.....	19			
4.13	Connecting the appliance to the power supply.....	20			
4.14	Switching on appliance (first use).....	20			
4.15	Using equipment.....	21			
4.16	Centre grid shelf.....	21			
<b>5</b>	<b>Storage.....</b>	<b>21</b>			
5.1	Information regarding storage.....	21			
<b>6</b>	<b>Controls.....</b>	<b>21</b>			
6.1	Control and display elements.....	21			
6.1.1	Status display.....	22			
6.1.2	Display symbols.....	22			
6.1.3	Acoustic signals.....	22			
6.2	Appliance functions.....	22			
6.2.1	Notes on the appliance functions.....	22			
6.2.2	Switching appliance on and off.....	23			
6.2.3	Temperature.....	23			
6.2.4	Temperature recording.....	23			
6.2.5	Lighting.....	24			
6.2.6	Settings menu access protection.....	25			
6.2.7	Access code.....	25			
6.2.8	Maintenance interval reminder.....	26			
6.2.9	Language.....	27			
6.2.10	Temperature unit.....	27			
6.2.11	Display brightness.....	27			
6.2.12	Alarm Sound.....	28			
6.2.13	Key Sound.....	28			
6.2.14	WiFi connection.....	28			
6.2.15	LAN connection.....	29			
6.2.16	Device information.....	30			
6.2.17	Operating hours.....	30			
6.2.18	Software.....	30			
6.2.19	Defrosting.....	31			
6.2.20	Sensor calibration.....	31			
6.2.21	Temperature alarm.....	32			
6.2.22	Door alarm.....	33			
6.2.23	Light alarm.....	33			
6.2.24	Alarm simulation.....	34			
6.2.25	Alarm forwarding.....	34			
6.2.26	Demo mode.....	35			
6.2.27	Resetting to factory settings.....	36			
6.3	Messages.....	36			
6.3.1	Warnings.....	36			
6.3.2	Reminder.....	38			

The manufacturer is continually working on the further development of all types and models. Please be aware that we reserve the right to make changes to the shape, equipment and technology.

Symbol	Explanation
	<b>Read instructions</b> Please read the information in these instructions carefully to understand all of the benefits of your new appliance.
	<b>Additional information on the Internet</b> The digital manual with additional information and in other languages can be found via the QR code on the front of the manual or by entering the service number at <a href="http://home.liebherr.com/fridge-manuals">home.liebherr.com/fridge-manuals</a> . The service number can be found on the serial tag:  <i>Fig. Example illustration</i>
	<b>Check appliance</b> Check all parts for transport damage. If you have any complaints, please contact your agent or customer service.
	<b>Differences</b> These instructions apply to a range of models, so differences are possible. Sections that apply to certain models only are marked with an asterisk (*).
	<b>Instructions and results</b> Instructions are marked with a ►. Results are marked with a ▷.
	<b>Videos</b> Videos about the appliances are available on the YouTube channels of Liebherr-Hausgeräte.

## Open source licences:

The appliance contains software components that use open source licences. Information on the open source licences used can be found here: [home.liebherr.com/open-source-licences](http://home.liebherr.com/open-source-licences)

These operating instructions apply to:

- SRPvg 1402
- SRPvg 1412
- SRPvg 6501
- SRPvg 6511
- SRPvg 8401
- SRPvg 8411

- |  |  |
|--|--|
| (1) Type plate                               | (6) Drain hole for water from cleaning |
| (2) Grid shelves                             | (7) Interior lighting *                |
| (3) Casters                                  | (8) Safety thermostat sensor           |
| (4) Lock                                     | (9) P sensor                           |
| (5) Control elements and temperature display | (10) Sensor feedthrough                |

## 1 Appliance at a glance

### 1.1 Scope of supply

Check all parts for transport damage. If you have any complaints, please contact your dealer or Customer Service. (see 9.3 Customer Service)

The delivery comprises the following parts:

- Free-standing appliance
- Equipment \*
- Installation materials \*
- Operating instructions
- Service brochure
- Quality certificate \*
- Mains cable
- Wall fastening kit

### 1.2 Overview of appliances and equipment

**SRPvg 6501**  
**SRPvg 8401**

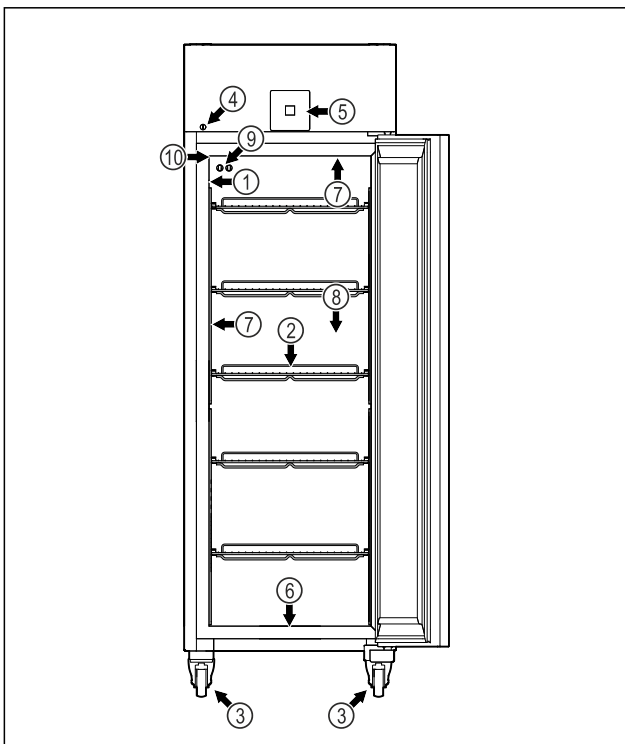


Fig. 1 Example illustration

**SRPvg 6511**  
**SRPvg 8411**

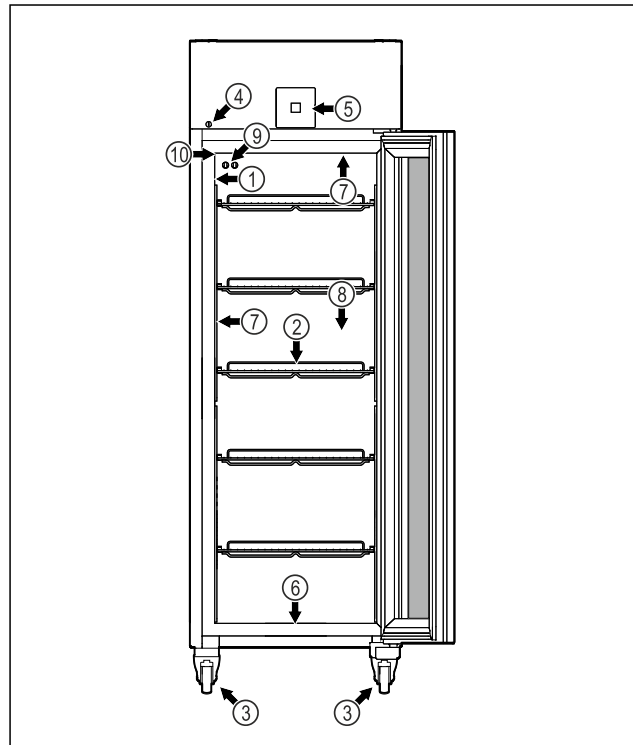


Fig. 2 Example illustration

- |  |  |
|--|--|
| (1) Type plate                               | (6) Drain hole for water from cleaning |
| (2) Grid shelves                             | (7) Interior lighting *                |
| (3) Casters                                  | (8) Safety thermostat sensor           |
| (4) Lock                                     | (9) P sensor                           |
| (5) Control elements and temperature display | (10) Sensor feedthrough                |

**SRPvg 1402**

# Appliance at a glance

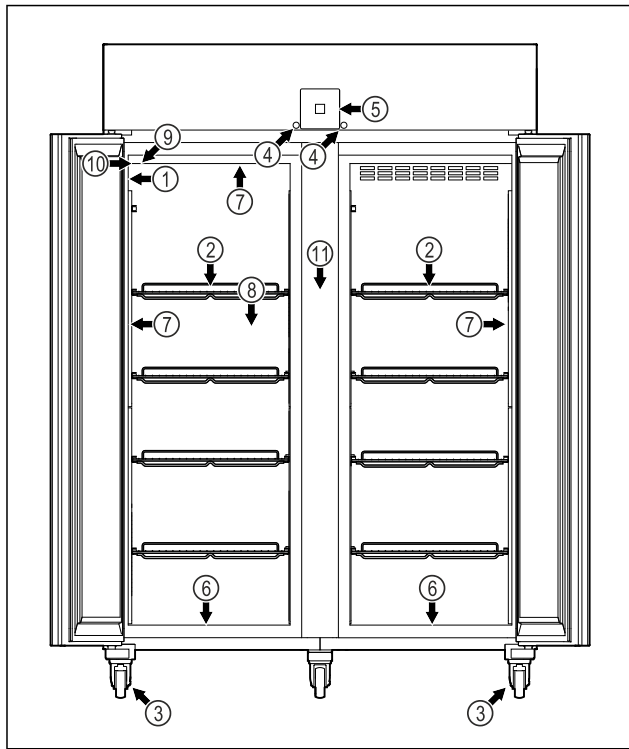


Fig. 3 Example illustration

- |  |                              |
|--|------------------------------|
| (1) Type plate                               | (7) Interior lighting *      |
| (2) Grid shelves                             | (8) Safety thermostat sensor |
| (3) Casters                                  | (9) P sensor                 |
| (4) Lock                                     | (10) Sensor feedthrough      |
| (5) Control elements and temperature display | (11) Centre grid shelf       |
| (6) Drain hole for water from cleaning       |                              |

SRPvg 1412

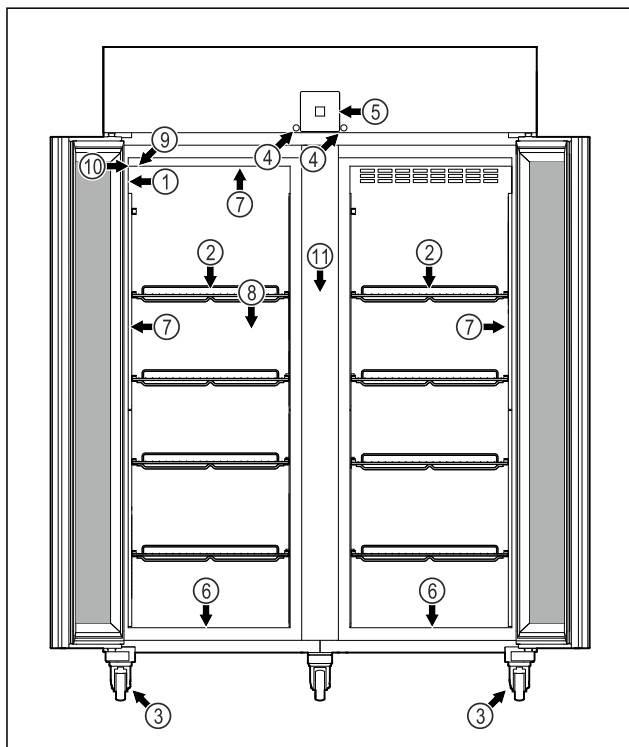


Fig. 4 Example illustration

- |                  |                              |
|------------------|------------------------------|
| (1) Type plate   | (7) Interior lighting *      |
| (2) Grid shelves | (8) Safety thermostat sensor |

- |  |                         |
|--|-------------------------|
| (3) Casters                                  | (9) P sensor            |
| (4) Lock                                     | (10) Sensor feedthrough |
| (5) Control elements and temperature display | (11) Centre grid shelf  |
| (6) Drain hole for water from cleaning       |                         |

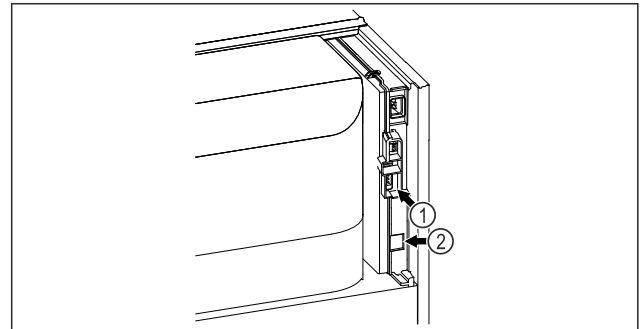


Fig. 5 Example illustration

- |                                 |                   |
|---------------------------------|-------------------|
| (1) Potential-free alarm output | (2) LAN interface |
|---------------------------------|-------------------|

## 1.3 Special features

### Note

Accessories are available from Customer Service (see 9.3 Customer Service) and the Liebherr-Hausgeräte store at [home.liebherr.com/shop/de/deu/zubehor.html](http://home.liebherr.com/shop/de/deu/zubehor.html).

### SmartModule

The appliance can be fitted with a SmartModule.

This is a WiFi and LAN interface for the connection between the appliance and an external documentation and alarm system such as Liebherr SmartMonitoring.

Liebherr SmartMonitoring Dashboard is not available in all countries. Check availability via the QR code (see 6.2.14 WiFi connection ) by entering your model.

### Retrofitting drawers

Temperature qualification is required when retrofitting drawer systems in Liebherr refrigerators/freezers where these are used for temperature-sensitive materials such as chilled drugs and refrigerated products which are subject to specific standards requirements. Retrofitting drawers in Liebherr refrigerators/freezers can result in the goods stored becoming spoiled or damaged. The retrofitting must therefore be completed exclusively by authorised service providers from the manufacturer of the refrigerator/freezer.

## 1.4 Range of use of appliance

### Intended use

This laboratory refrigerator is suitable for the professional storage of products at temperatures between:

- **Foamed door:** -2 °C and 16 °C.\*
- **Glass door:** 0 °C and 16 °C.\*

Typical products to be stored include research samples, reagents, laboratory inventory etc.

The storage of temperature-sensitive substances requires the use of an independent, continuous monitoring alarm

system. This alarm system must be designed in such a way that a responsible person can register any alarm status so that appropriate action can be taken.

## Foreseeable incorrect use

Do not use the appliance for the following applications:

- Storage and refrigeration of:
  - Chemically unstable, flammable or corrosive substances
  - Blood, plasma or other body fluids for the purpose of infusion, application or introduction in the human body.
- Use in potentially explosive atmospheres.
- Use outdoors or in areas exposed to dampness and splashing water.
- Use in residential areas because adequate protection of radio reception cannot be ensured in such environments.\*

Improper use of the appliances will result in goods stored being damaged or spoiled.

## Climate classes

The applicable climate class for your appliance is printed on the type plate.

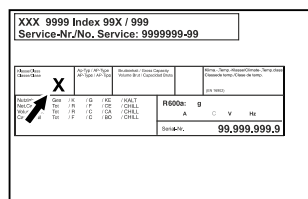


Fig. 6 Type plate

(X) This climate class indicates the ambient conditions in which the appliance can be safely operated.

Climate class (X)	max. room temperature	max. rel. humidity
7	35 °C	75%

## Note

The minimum permitted room temperature at the setup location is 10 °C.

The internal temperature of the appliance never exceeds the ambient temperature at the site of use.

Under borderline conditions, slight condensation may form on the glass door (depending on the equipment) and on the side walls.

## 1.5 Appliance noise emissions

The A-weighted emission sound pressure level during operation of the appliance is under 70 dB(A) (sound power rel. 1 pW).

## 1.6 Conformity

The coolant circuit has been tested for leak-tightness. The appliance complies with the relevant safety regulations.

### EU Declaration of Conformity

Manufacturer/Exhibitor: LIEBHERR-HAUSGERÄTE LIENZ GMBH

Address: A-9900 Lienz, Dr. Hans Liebherr Straße 1

The designated product complies with the provisions of the following European directives and regulations:

(EU) 2019/2020, 2014/35/EU, 2014/30/EU, 2011/65/EU

The full text of the EU Declaration of Conformity is available at the following web address: [www.liebherr.de](http://www.liebherr.de)

## 1.7 SVHC substances according to REACH regulation

You can check whether your appliance contains SVHC substances according to REACH regulation at the following link: [home.liebherr.com/de/deu/de/liebherr-erleben/nachhaltigkeit/umwelt/scip/scip.html](http://home.liebherr.com/de/deu/de/liebherr-erleben/nachhaltigkeit/umwelt/scip/scip.html)

## 2 General safety instructions

Please keep these operating instructions in a safe place so you can refer back to them at any time.

If you pass the appliance on, please hand these operating instructions to the next user.

Read these operating instructions carefully before use to ensure safe and correct use of the appliance. Follow the instructions, safety instructions and warning messages included at all times. They are important for ensuring you can operate and install the appliance safely and without any problems.

### Danger for the user:

- This appliance may only be used by specialist and laboratory personnel who have been trained for this purpose and are familiar with all safety measures pertaining to laboratory work. Children and persons with reduced physical, sensory or mental capabilities or lack of experience and knowledge must not commission or operate this appliance.
- The socket must be easily accessible so that the appliance can be disconnected quickly from the electricity supply in an emergency. It must not be located in the area behind the appliance.
- When disconnecting the appliance from the supply, always take hold of the plug. Do not pull the cable.
- In the event of a fault pull out the mains plug or deactivate the fuse.

## General safety instructions

---

- **WARNING:** Do not damage the mains power cable. Do not operate the appliance with a defective mains power cable.
- **WARNING:** Multiple sockets/distributors and other electronic equipment (such as halogen transformers) must not be placed or operated at the rear of the appliance.
- **WARNING:** Keep ventilation openings, in the appliance enclosure or in the built-in structure, clear of obstruction.
- Only customer service or other specially trained staff may repair or perform other operations on the appliance.
- Only assemble, connect and dispose of the appliance according to the instructions.

### Fire hazard

- The coolant used (information on the model plate) is ecofriendly but also flammable. Any leaking coolant may ignite.
  - **WARNING:** Do not damage refrigeration circuit.
  - Do not handle ignition sources inside the appliance.
  - **WARNING:** Do not use electrical appliances in the fridge compartment which do not comply with the design recommended by the manufacturer.
  - If the refrigerant leaks: remove any naked flames or ignition sources from the vicinity of the leakage point. Properly air the room. Inform customer services.
- Do not operate the appliance close to explosive gases.
- Do not store or use petrol or other flammable gases and liquids close to the appliance.
- Do not store any explosive substances, such as aerosol containers with flammable propellant gas, in the appliance. To identify these spray cans, look for the list of contents printed on the can, or a flame symbol. Gases possibly escaping may ignite due to electrical components.
- Keep burning candles, lamps and other items with naked flames away from the appliance so that they do not set the appliance on fire.
- Alcoholic liquids or other containers with alcohol inside must only be stored tightly sealed. Any alcohol that leaks out may be ignited by electrical components.

### Danger of tipping and falling:

- **WARNING:** In order to prevent danger due to an unstable appliance, it must be fixed in accordance with the instructions.
- Do not misuse the plinth, drawers, doors etc. as a step or for support.

### Danger of frostbite, numbness and pain:

- Avoid prolonged skin contact with cold surfaces or refrigerated/frozen goods or take protective measures, e.g. wear gloves.

### Danger of injury and damage:

- **WARNING:** Do not use mechanical equipment or other methods to speed up the defrosting process other than those recommended by the manufacturer.
- **WARNING:** Risk of injury due to electric shock! There are live electrical parts under the cover.  
Only have the LED interior lighting replaced or repaired by customer service or other suitably trained professionals.
- **NOTICE:** Appliance must only be used using original manufacturer accessories or using accessories from other providers approved by the manufacturer. The user bears the risk of using accessories which are not approved.

### Risk of crushing

- Do not hold the hinge when opening and closing the door. Fingers may get caught.

### Specialist personnel qualifications:

The appliance may only be installed, tested, maintained, and commissioned by specialist personnel who are familiar with the installation, commissioning, and operation of the appliance.

Specialist personnel are persons who, on account of their specialist training, knowledge and experience as well as their knowledge of the relevant standards, are able to assess and perform the work assigned to them and identify potential hazards. They must have training, instruction, and authorisation to work on the appliance.

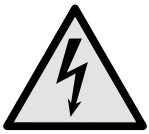
### Symbols on the appliance:



This symbol may be located on the compressor. It relates to the oil in the compressor and makes reference to the risk that: **Swallowing or inhaling can be fatal.** This advice is only relevant to recycling. There is no danger in normal operation.



**WARNING:** Danger of fire / flammable materials. This symbol is located on the compressor and indicates the danger of flammable materials. Do not remove the sticker.



The symbol is located on the back of the appliance near the alarm relay and indicates the following danger: **Electric shock!** Even if an appliance is disconnected from the mains there may still be extraneous voltage. Do not remove sticker.



This or a similar sticker may be located on the rear of the appliance. This sticker indicates that there are vacuum insulation panels (VIP) or perlite panels in the door and/or housing. This advice is only relevant to recycling. Do not remove the sticker.

Please note the warning messages and other specific advice in the other chapters:

	<b>DANGER</b>	Indicates an immediately hazardous situation which will lead to death or serious injuries if it is not avoided.
	<b>WARNING</b>	Indicates a hazardous situation which will lead to death or serious injuries if it is not avoided.
	<b>CAUTION</b>	Indicates a hazardous situation which will lead to minor or moderate injuries if it is not avoided.
	<b>NOTICE</b>	Indicates a hazardous situation which may lead to damage to property if it is not avoided.
	<b>Note</b>	Indicates useful instructions and tips.

## 3 Functionality of the Touch display

You operate your appliance using the Touch display. You select appliance functions in the Touch display (hereafter referred to as display) by tapping them. If you do not perform any action on the display for 10 seconds, the display either jumps back to the higher-level menu or directly to the status display.

### 3.1 Navigation and symbol explanation

In the illustrations, different symbols are used to navigate the display. The following table describes these symbols.

Symbol	Description
	<b>Press the Next navigation arrow:</b> Navigates to the next option in the menu.
	<b>Press the Back navigation arrow:</b> Jumps back one option in the menu.



Symbol	Description
	<b>Press and hold the Back navigation arrow for 3 seconds:</b> Jumps back to the status display in the main menu or from the Settings menu.
	<b>Press the navigation arrow several times in succession:</b> Navigates in the menu to the desired function.
	<b>Press the Confirm symbol:</b> Activates/deactivates function. Opens submenu.
	<b>Press the Confirm symbol together with the back icon:</b> Jumps back one menu level.
	<b>Arrow with clock:</b> It takes more than 10 seconds for the following message to appear in the display.
	<b>Arrow with a time indication:</b> It takes the specified amount of time until the following message appears in the display.
	<b>“Open Settings menu” symbol:</b> Navigates to the Settings menu and opens the settings menu. If necessary: Navigate to the desired function in the Settings menu. (see 3.2.1 Opening the Settings menu)
	<b>“Open Advanced menu” symbol:</b> Navigates to the Advanced menu and opens the advanced menu. If necessary: Navigate to the desired function in the Advanced menu. (see 3.2.2 Opening the Advanced menu)
No action for 10 seconds	If you do not perform any action on the display for 10 seconds, the display either jumps back to the higher-level menu or directly to the status display.
Opening door and closing it again	If you open the door and immediately close it again, the display jumps directly back to the status display.

Note: Illustrations of the display are shown in the English version.

### 3.2 Menus

The appliance functions can be found in various menus.

# Putting into operation

Menu	Description
Main menu	When you switch the appliance on, you are automatically in the main menu. From here you can navigate to the most important appliance functions, to the Settings menu and to the Advanced menu.
 Settings menu	The Settings menu contains additional appliance functions for setting up your appliance. (see 3.2.1 Opening the Settings menu)
 Advanced menu	The advanced menu contains special appliance functions for setting up your appliance. Access to the Advanced menu is protected by the numerical code <b>151</b> . (see 3.2.2 Opening the Advanced menu)

## 3.2.1 Opening the Settings menu

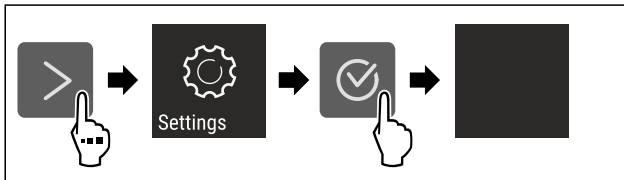


Fig. 7 Example illustration

- ▶ Carry out action steps according to the illustration.
- ▷ Settings menu is open.
- ▶ If necessary: Navigate to the desired function.

## 3.2.2 Opening the Advanced menu

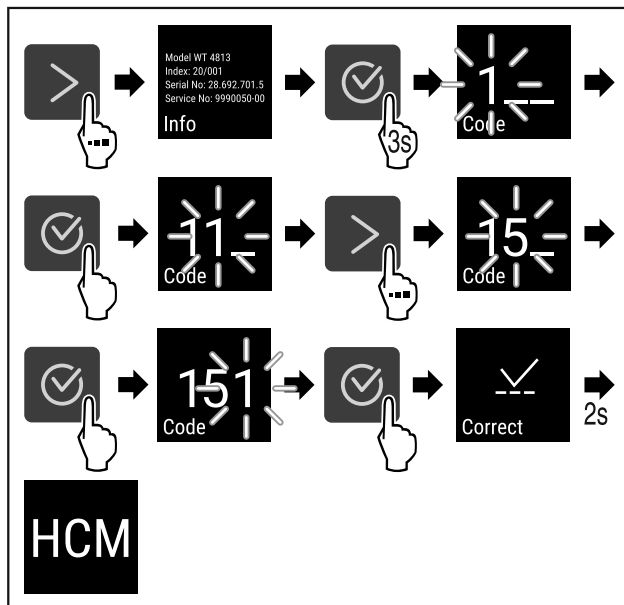


Fig. 8 Access with numerical code **151**

- ▶ Carry out action steps according to the illustration.
- ▷ The expanded menu is open.
- ▶ If necessary: Navigate to the desired function.

## 3.3 Sleep mode

If you do not touch the display for 1 minute, the display switches to sleep mode. In sleep mode, the display brightness is dimmed.

## 3.3.1 Ending sleep mode

- ▶ Press any navigation key.
- ▷ Sleep mode is ended.

# 4 Putting into operation

## 4.1 Installation conditions



### WARNING

Fire hazard due to dampness!

If live parts or the mains lead become damp this may cause short circuits.

- ▶ The appliance is designed for use in enclosed areas. Do not operate the appliance outdoors or in areas where it is exposed to splash water or damp conditions.

### 4.1.1 Installation location



### WARNING

Leaking coolant and oil!

Fire. The coolant contained in the appliance is eco-friendly, but also flammable. The oil contained in the appliance is flammable. Escaping coolant and oil can ignite if the concentration is high enough and in contact with an external heat source.

- ▶ Do not damage the pipelines of the coolant circuit and the compressor.

- Do not install appliance in direct sunlight, next to an oven, radiator or similar.
- The best place for installation is a dry and well ventilated room.
- If the appliance is installed in a very humid environment, condensation can form on the outside of the appliance. Always ensure good airflow and ventilation in the installation location.
- The more refrigerant there is in the appliance, the larger the space it is installed in must be. If the space is too small, any leak may create a flammable mixture of gas and air. For every 8 g of refrigerant, the installation space must be at least 1 m<sup>3</sup>. Information regarding the refrigerant can be found on the type plate inside the appliance.
- The floor of the location must be horizontal and even.
- The installation location must be able to withstand the weight of the appliance plus weight when stocked to maximum level. (see 9.1 Technical specifications)
- Use in hazardous areas is not permitted.

### 4.1.2 Electrical connection



### WARNING

Danger of fire due to incorrect positioning!

If the mains cable or plug touches the back of the appliance, the vibration can damage the mains cable or the plug resulting in a short circuit.

- ▶ Make sure the mains cable is not trapped under the appliance when you position the appliance.
- ▶ Stand the appliance so that it is not touched by connectors or main cables.
- ▶ Do not connect any appliances to sockets in the area of the back of the appliance.
- ▶ Do **not** place and operate multi-sockets/power distributors and other electronic devices (such as halogen transformers) at the back of the appliances.



## 4.2 Appliance dimensions

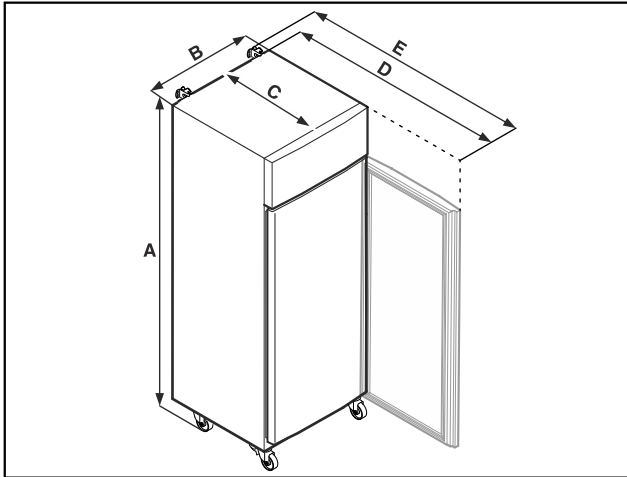


Fig. 9 Example illustration

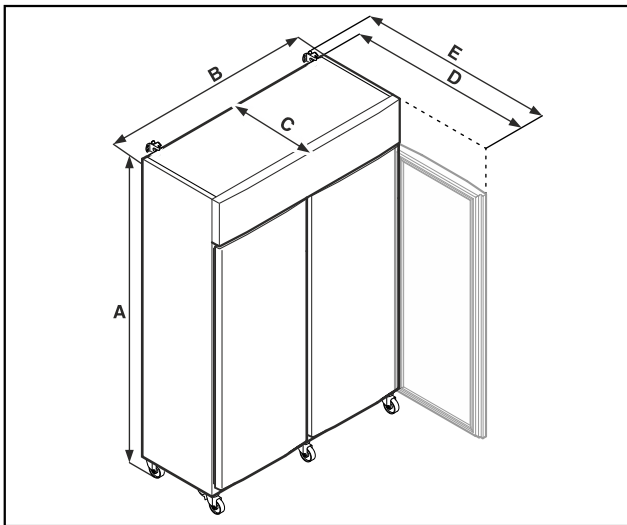


Fig. 10 Example illustration

	SRPvg 1402 SRPvg 1412	SRPvg 6501 SRPvg 6511
A	2135 mm	2135 mm
B	1427 mm	697 mm
C	867 mm	867 mm
D	1500 mm	1500 mm
E	1532 mm	1532 mm

	SRPvg 8401 SRPvg 8411
A	2135 mm
B	787 mm
C	1017 mm
D	1740 mm
E	1772 mm

A = appliance height including feet (minimum) / castors

B = appliance width without handle

C = appliance depth without handle

D = appliance depth with door open

F = appliance depth with protruding handle and anti-tipping device

## 4.3 Transporting appliance



### WARNING

Risk of injury due to broken glass!\*

When transporting at an altitude of more than 1500 m, the glass panes of the door may break. This can result in sharp-edged fragments, which can cause serious injuries.

- ▶ Take appropriate protective action.



### DANGER

Risk of injury and damage due to heavy appliance!

- ▶ Always transport the appliance with at least two people.



### DANGER

Risk of injury and damage due to the appliance tipping over!

- ▶ Pay attention to uneven floors and ramps when transporting appliances.

### Note when transporting the appliance:

- ▶ Transport the appliance upright.
- ▶ If necessary: Dismantle two-door appliances for transport.

### During first use:

- ▶ Transport the appliance packaged.

### When transporting appliances after initial commissioning (e. g. moving or cleaning):

- ▶ Empty the appliance.
- ▶ Secure the door against unintentional opening.

## 4.4 Unpacking appliance

- ▶ Check the appliance and the packaging for damage during transport. Contact the supplier immediately if you suspect any damage. Do not connect appliance to the power supply.
- ▶ Remove all packaging materials from the rear or the side walls of the fridge that may prevent proper installation or prevent air flow and ventilation.

## 4.5 Connect power cable

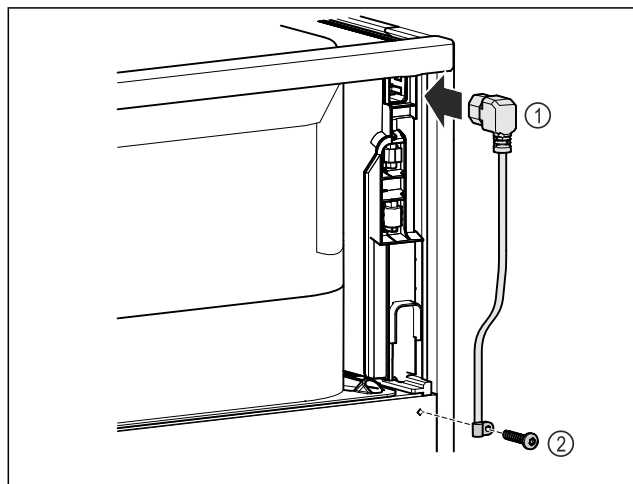


Fig. 11

- ▶ IEC socket of the power cable Fig. 11 (1) on the rear side of the appliance.

- ▶ Install mains tension relief. Fig. 11 (2)

# Putting into operation

## 4.6 Mounting the anti-tipping device



### WARNING

Danger of injury and damage due to appliance tipping over! Danger to life and material damage to the appliance. An appliance without an anti-tip device fitted can tip over if you open the door or pull out shelves, for example.

► Before putting the appliance into operation: **Always** fit the anti-tilt device according to the instructions.

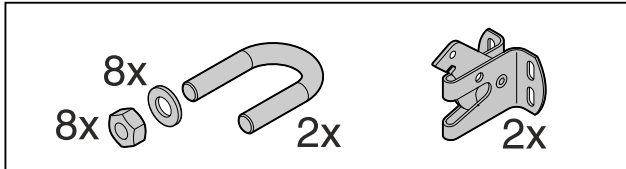


Fig. 12

The anti-tipping device is included with the appliance. It consists of a retaining part, bracket, 8 washers and 8 nuts.

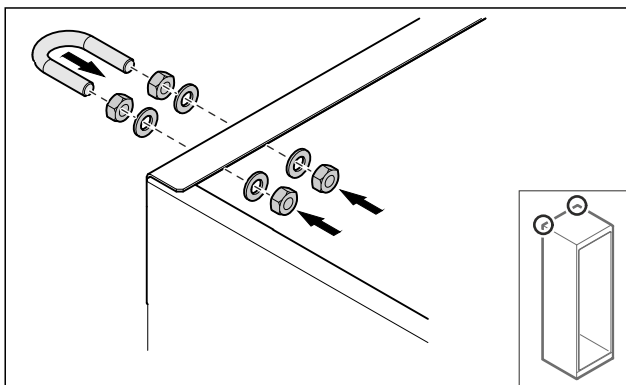


Fig. 13

- Mount the bracket with included washers and nuts on the appliance.
- Push appliance with fitted retaining parts against the wall.
- Level out the appliance.

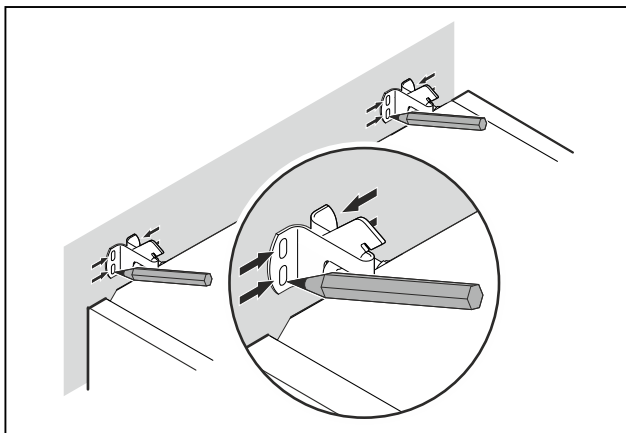


Fig. 14

- Make markings on the wall.
- Remove appliance.

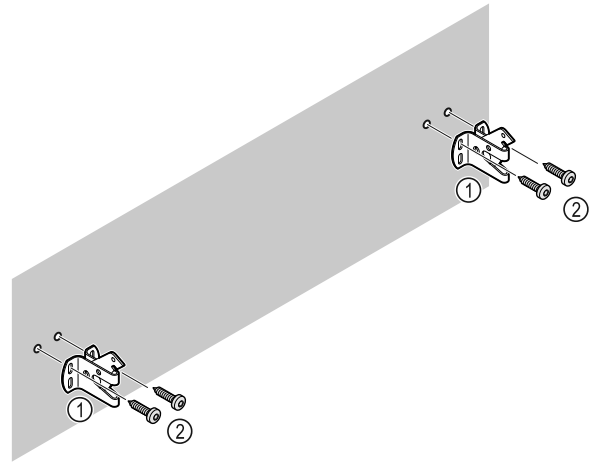


Fig. 15

**Use fixing material (e.g. wall anchors) which is appropriate for the nature of the wall or floor (wood, concrete) and sufficient attachment points.**

- Attach retaining hooks.

## 4.7 Installing appliance



### CAUTION

Risk of injury and damage.

- Use 2 people to install appliance.



### CAUTION

Risk of injury and damage.

The door can knock against the wall and become damaged as a result. In the case of glass doors, the damaged glass can cause injuries.

- Protect the door from knocking against the wall. Attach door stopper, e.g. felt stopper, to the wall.

- Connect all necessary components (e.g. mains cable) to the back of the appliance and route to the side.

### Note

Cables can be damaged.

- Do not jam the cable when pushing the appliance back.

- Slide appliance up against the wall so that the retaining parts latch into the securing hooks.

▷ The appliance is now secured against tipping.

▷ It can be released by folding back the securing hooks.

- The spacing between the top edge of the device and the room ceiling must be at least 300 mm.

## 4.8 Installing multiple appliances

### NOTICE

Risk of damage due to condensation between the side walls.

- Do not install the appliance directly next to another fridge.

- Install appliances with a space 3 cm between appliances.

- Only install multiple appliances up to temperatures of 35 °C and 65% humidity next to one another.

- At higher levels of humidity, increase space between appliances.

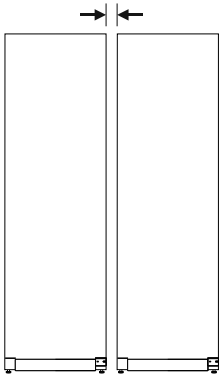


Fig. 16 Side-by-side installation

## Note

A side-by-side kit is available as an accessory via Liebherr Customer Service. (see 9.3 Customer Service)

## 4.9 After installation

- ▶ Peel off the protective films. \*
- ▶ Clean appliance. (see 8.3 Cleaning the appliance)
- ▶ If necessary: Disinfect the appliance.
- ▶ Keep the invoice so you have the appliance and dealer information available if needed.

## 4.10 Disposing of packaging



### WARNING

Danger of suffocation due to packing material and plastic film!

- ▶ Do not allow children to play with packing material.

The packaging is made of recyclable materials:

- corrugated board/cardboard
- expanded polystyrene parts
- polythene bags and sheets
- polypropylene straps
- nailed wooden frame with polyethylene panel\*

- ▶ Take the packaging material to an official collecting point.

## 4.11 Reversing the door opening direction

### 4.11.1 Safety notes



### WARNING

Risk of injury if the door is not reversed correctly!

- ▶ Replace the door hinge with specialist personnel.



### WARNING

Risk of injury and material damage due to heavy door!

- ▶ Only perform the conversion if you can carry a weight of 45 kg.
- ▶ Always have someone help you carry out the conversion.

### NOTICE

Live parts!

Damage to electrical components.

- ▶ Remove the mains plug before you reverse the door.

### 4.11.2 Tools



### 4.11.3 Opening the aggregate cover

- ▶ Open the door.

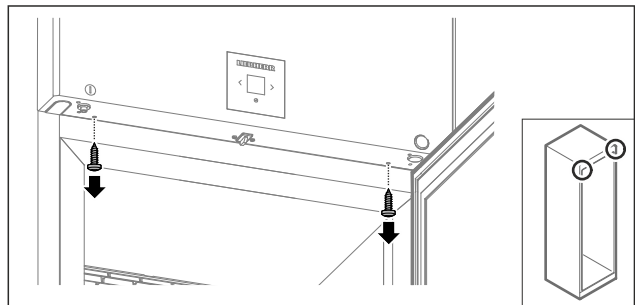


Fig. 17

- ▶ Remove the screws.

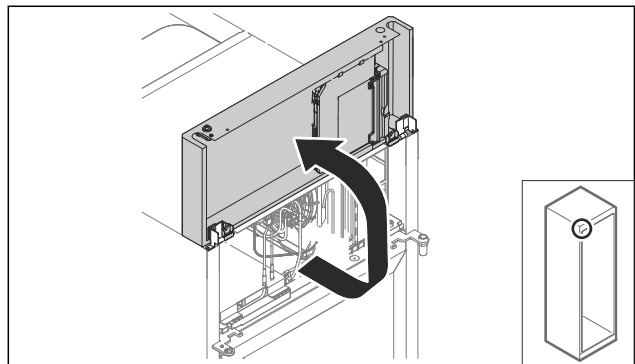


Fig. 18

- ▶ Lift the aggregate cover.
- ▶ Hold on to the cover.

-or-

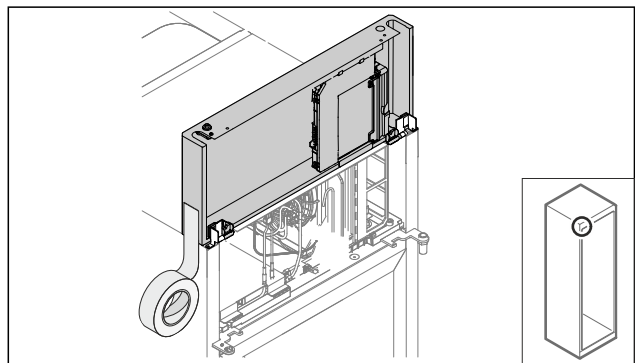


Fig. 19

- ▶ Fix the cover.

# Putting into operation

## 4.11.4 Removing the door

### 4.11.4 Removing the door (glass door)\*

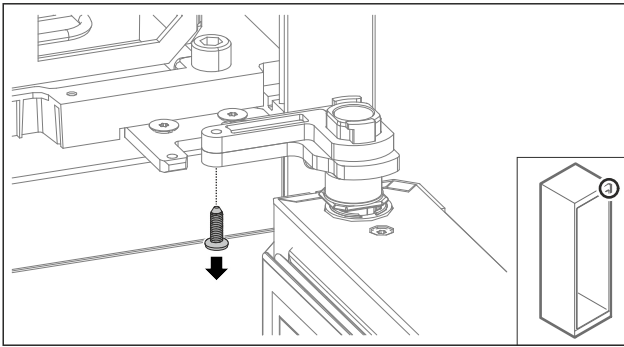


Fig. 20

- ▶ Remove the screw.

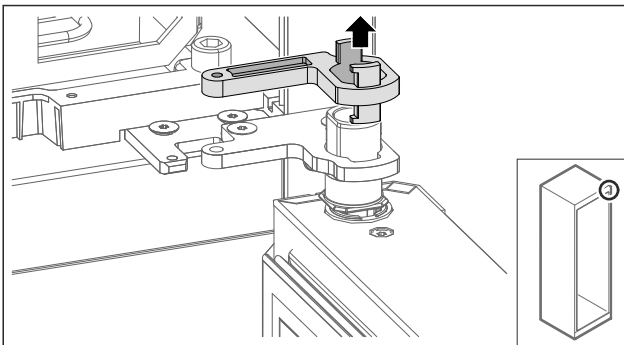


Fig. 21

- ▶ Remove the swap bearing block lock.

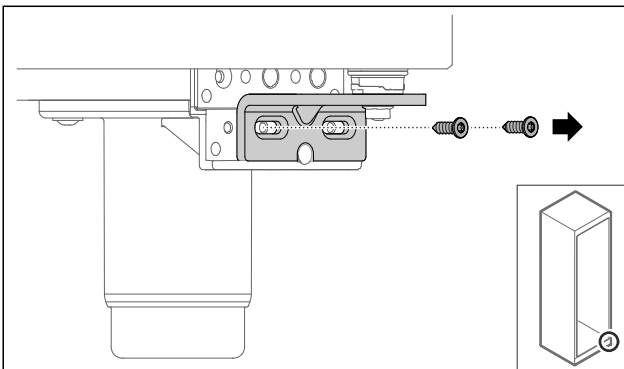


Fig. 22

- ▶ Remove the screws.

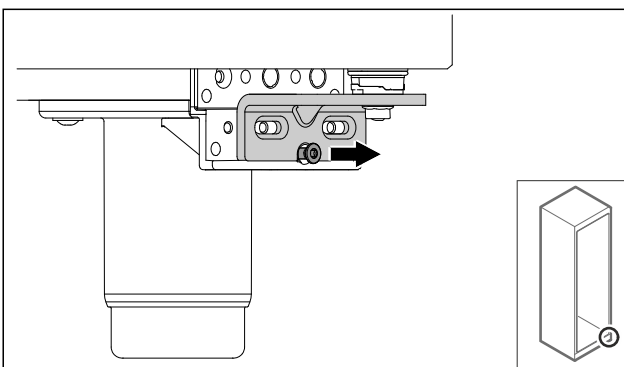


Fig. 23

- ▶ Loosen screw.

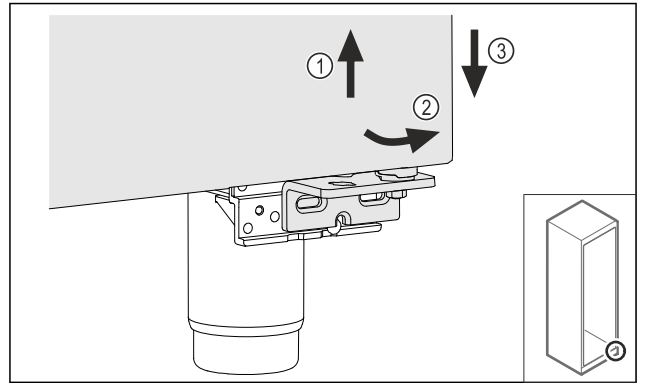


Fig. 24

- ▶ Lift the door slightly Fig. 24 (1), tilt it forwards at the bottom Fig. 24 (2) and lower it Fig. 24 (3).
- ▶ Place the door on a soft surface.
- ▷ Glass door is removed.

### 4.11.4 Removing the door (foamed door)\*

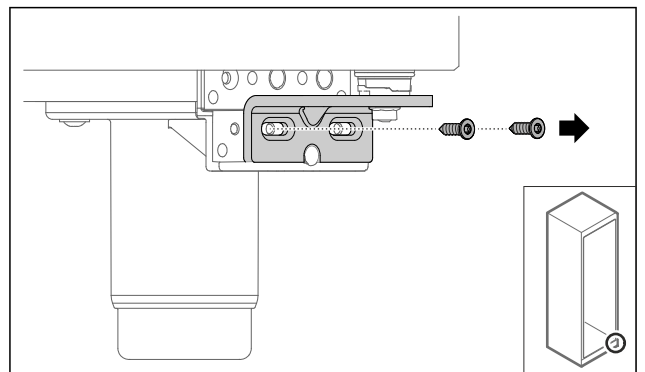


Fig. 25

- ▶ Remove the screws.

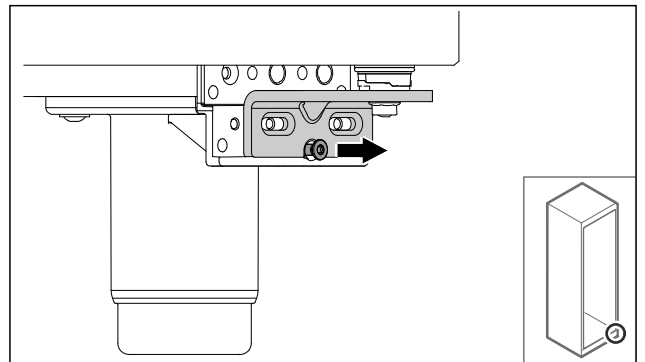


Fig. 26

- ▶ Loosen screw.

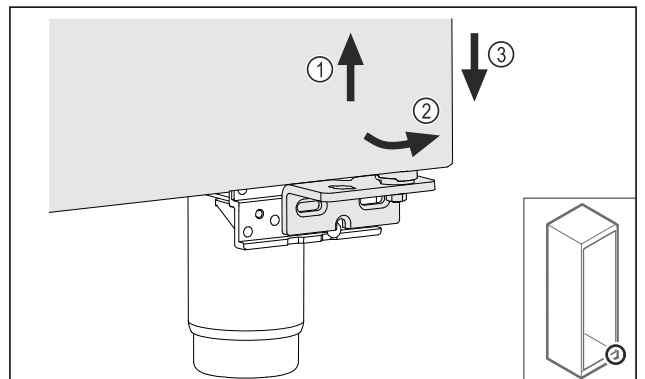
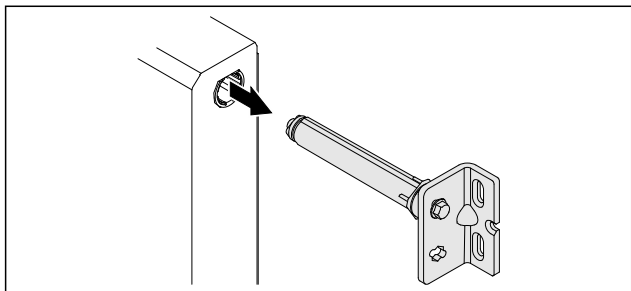


Fig. 27

- ▶ Lift the door slightly *Fig. 27 (1)*, tilt it forwards at the bottom *Fig. 27 (2)* and lower it *Fig. 27 (3)*.
- ▶ Place the door on a soft surface.
- ▷ Foamed door is removed.

## 4.11.5 Converting the lower locking system



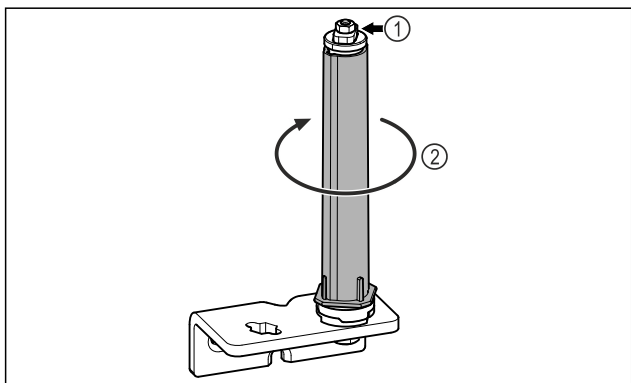
*Fig. 28*

- ▶ Pull the lower hinge bracket out of the door.

### NOTICE

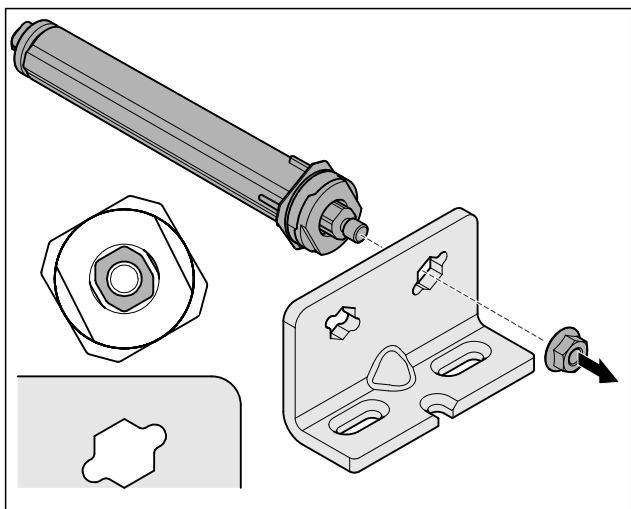
Danger of injury due to tensioned spring!

- ▶ Do not disassemble the door locking system *Fig. 29 (1)*.



*Fig. 29*

- ▶ Turn the locking system *Fig. 29 (2)* until it clicks.
- ▷ Preload of the locking system is released.



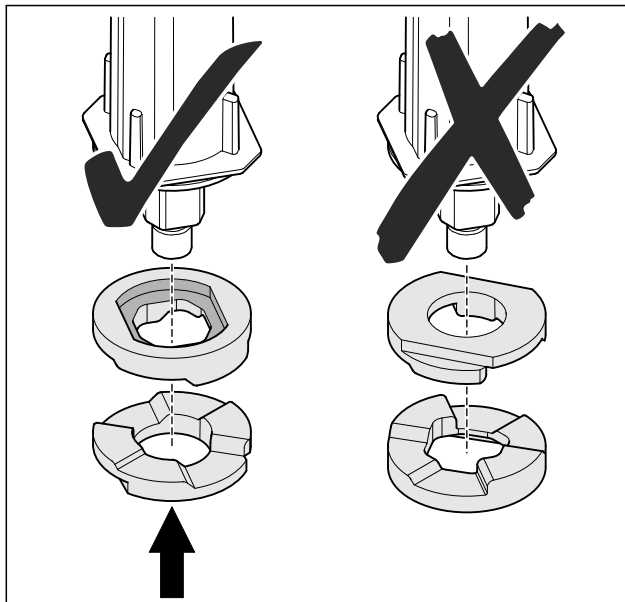
*Fig. 30 Right-hinged*

- ▶ Loosen nut.

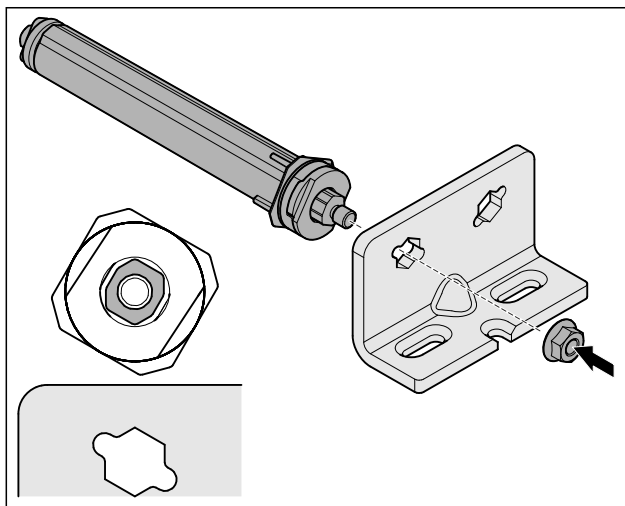
### Note

Incorrect alignment of the height adjustment washers. Nuts no longer have sufficient hold.

- ▶ The washer must lock into the underside of the closing system.



*Fig. 31*

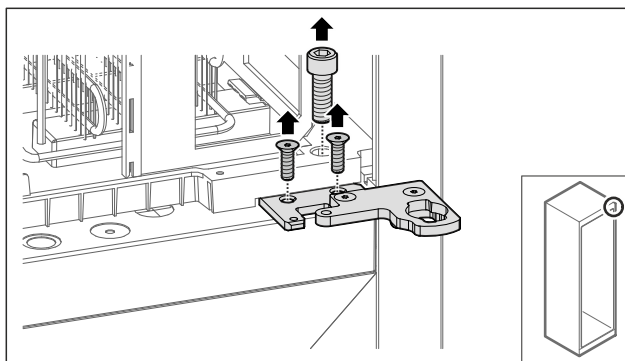


*Fig. 32 Left-hinged*

- ▶ Change over the closing system and tighten; observe the alignment of the closing system.
- ▷ Lower locking system has been converted.

## 4.11.6 Converting the upper locking system

### 4.11.6 Converting the upper locking system (glass door)\*



*Fig. 33*

- ▶ Remove the screws.

# Putting into operation

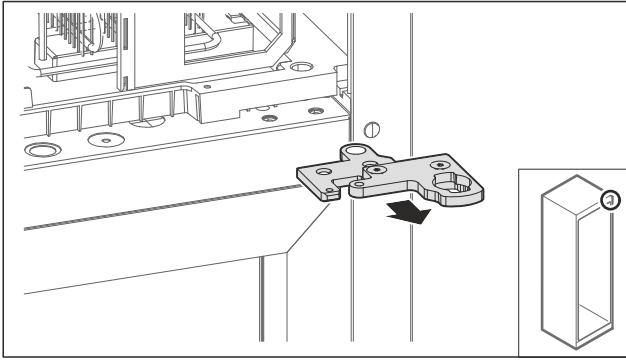


Fig. 34

- ▶ Remove the two-part hinge bracket.

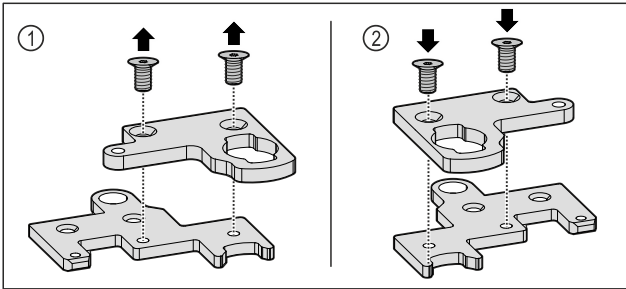


Fig. 35

- ▶ Disassemble the two-part hinge bracket. Fig. 35 (1)
- ▶ Reassemble the two-part hinge bracket rotated by 180°. Fig. 35 (2)

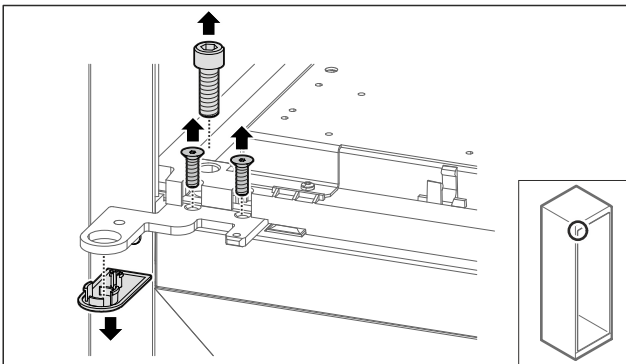


Fig. 36

- ▶ Remove the screws and cover.

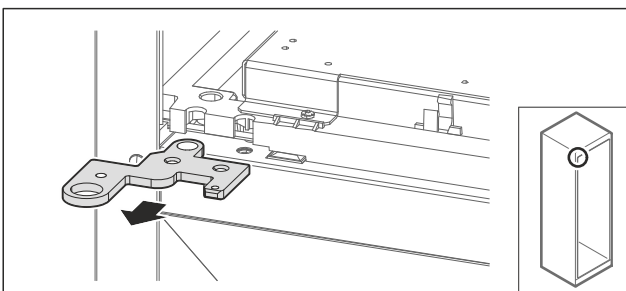


Fig. 37

- ▶ Remove the hinge bracket.

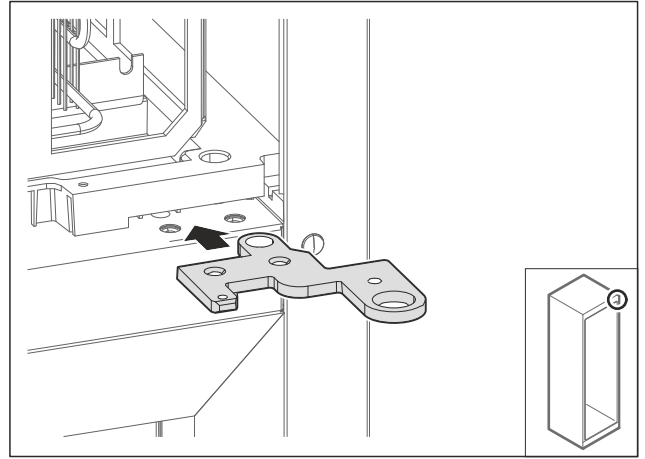


Fig. 38

- ▶ Re-locate the hinge angle by turning 180° to the opposite side.

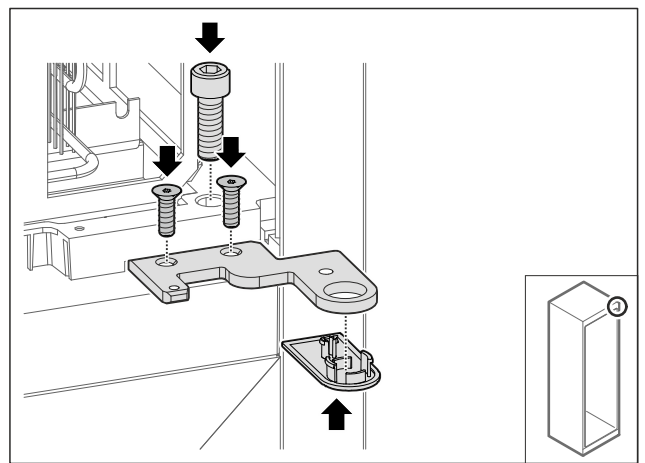


Fig. 39

- ▶ Tighten the hinge bracket.
- ▶ Put on the cover.

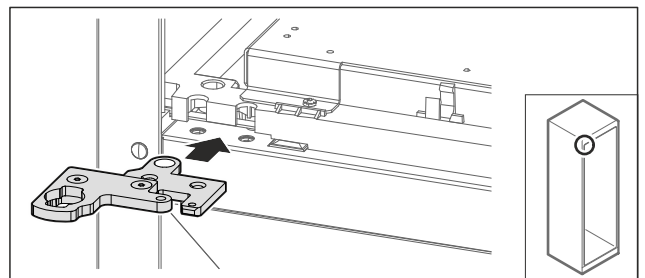


Fig. 40

- ▶ Re-locate the two-part hinge bracket to the opposite side.

## Note

Do not pinch the cable.

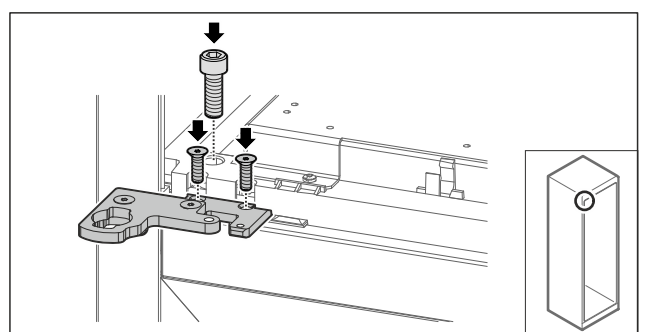


Fig. 41

- ▶ Tighten the two-part hinge bracket.
- ▷ Upper locking system has been converted.

## 4.11.6 Converting the upper locking system (foamed door)\*

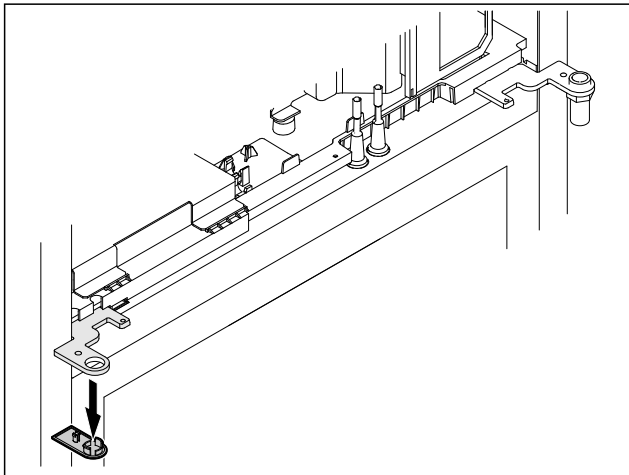


Fig. 42

- ▶ Remove cover.

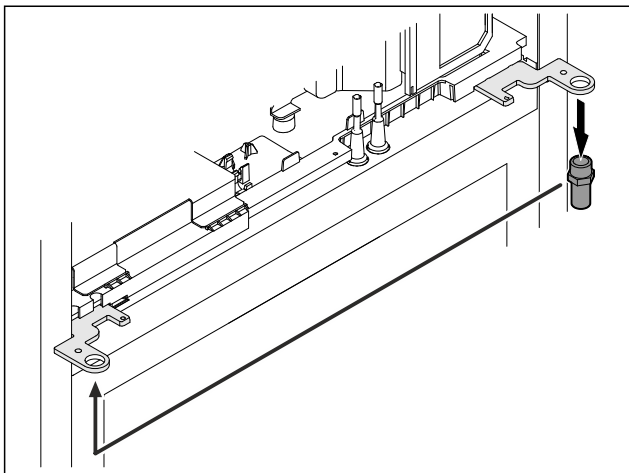


Fig. 43

- ▶ Re-locate the bolt in the hinge bracket.
- ▶ Tighten the bolt to a **torque of 12 Nm**.

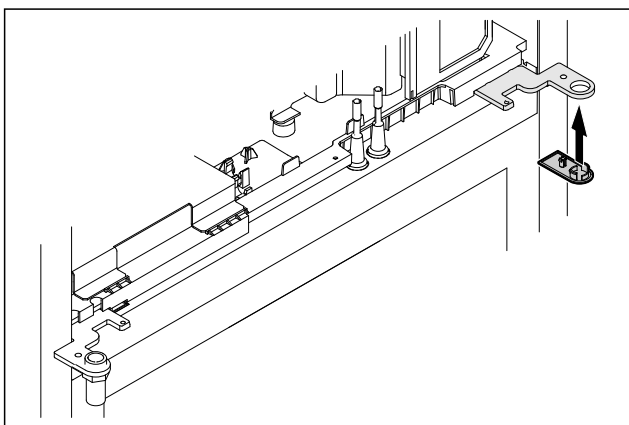


Fig. 44

- ▶ Put on the cover.
- ▷ Upper locking system has been converted.

## 4.11.7 Changing over the lock

### 4.11.7 Re-locating the lock (mechanical lock)

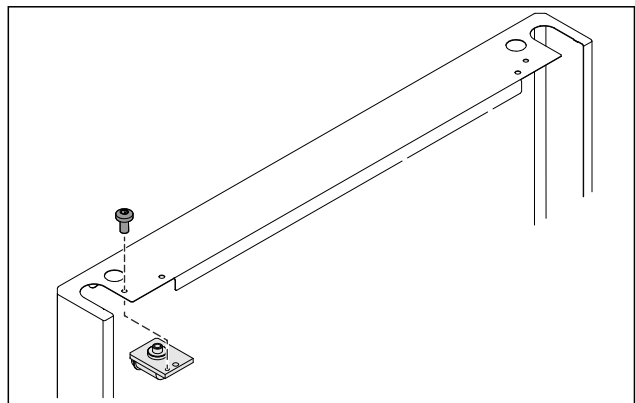


Fig. 45

- ▶ Remove the screw and remove the lock.

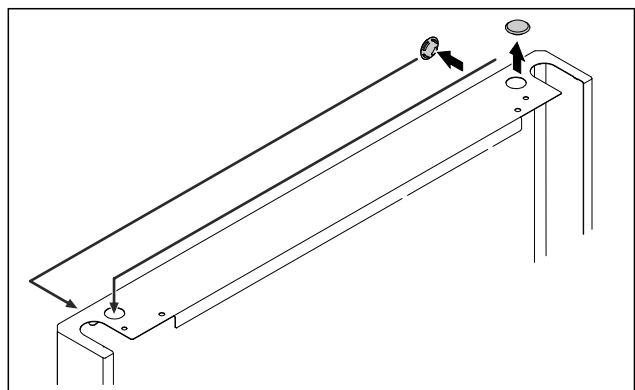


Fig. 46

- ▶ Swap the covers to the opposite side.

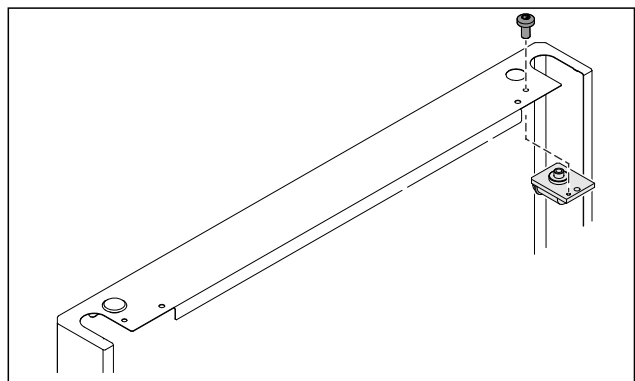


Fig. 47

- ▶ Insert the lock and screw in place.
- ▷ Mechanical lock has been implemented.

### 4.11.8 Re-locating the swap bearing block

#### 4.11.8 Re-locating the swap bearing block (casters)



#### WARNING

Danger of injury and damage due to appliance tipping over! Danger to life and material damage to appliance. If you remove the casters from the appliance, the appliance can tip over.

- ▶ Before performing a conversion on the appliance: Secure appliance against tipping over.

# Putting into operation

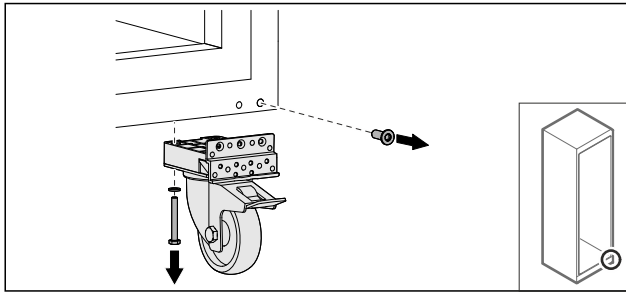


Fig. 48

- Unscrew and remove casters.

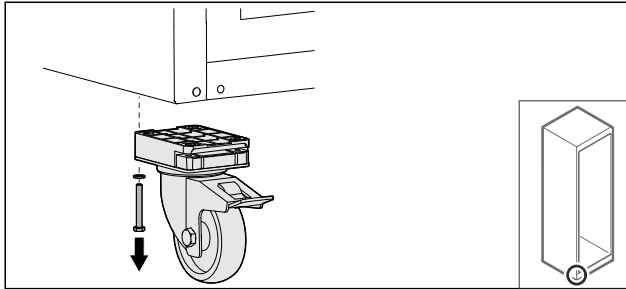


Fig. 49

- Unscrew and remove casters with bearing bracket.

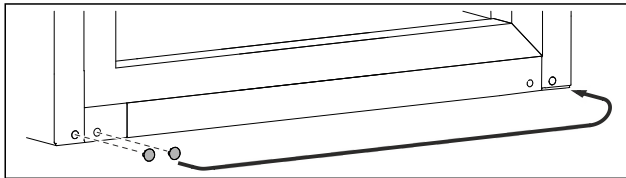


Fig. 50

- Swap over covers.

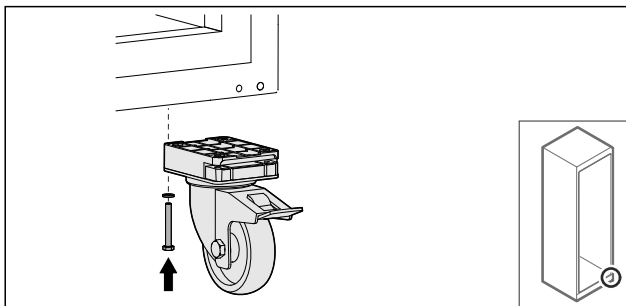


Fig. 51

- Screw on casters.

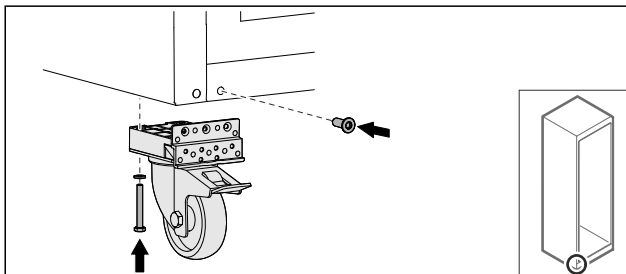


Fig. 52

- Screw on casters with bearing bracket.
- ▷ Swap bearing block is relocated.

## 4.11.9 Converting the door

### 4.11.9 Converting the door (glass door)\*

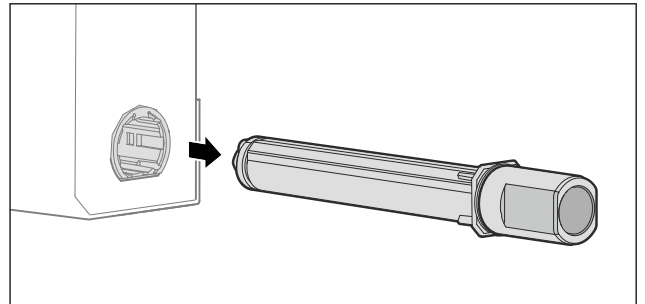


Fig. 53

- Pull the upper locking system out of the door.

#### NOTICE

Danger of injury due to tensioned spring!

- Do not disassemble the door locking system Fig. 54 (1).

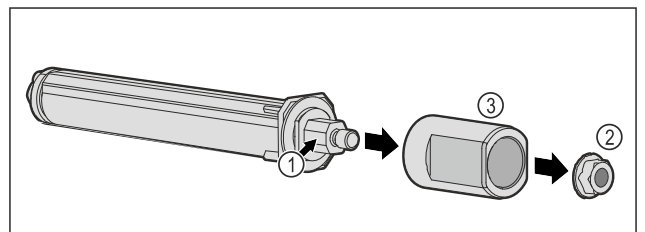


Fig. 54

- Remove the Fig. 54 (2) nuts.
- Take off the Fig. 54 (3) sleeve.

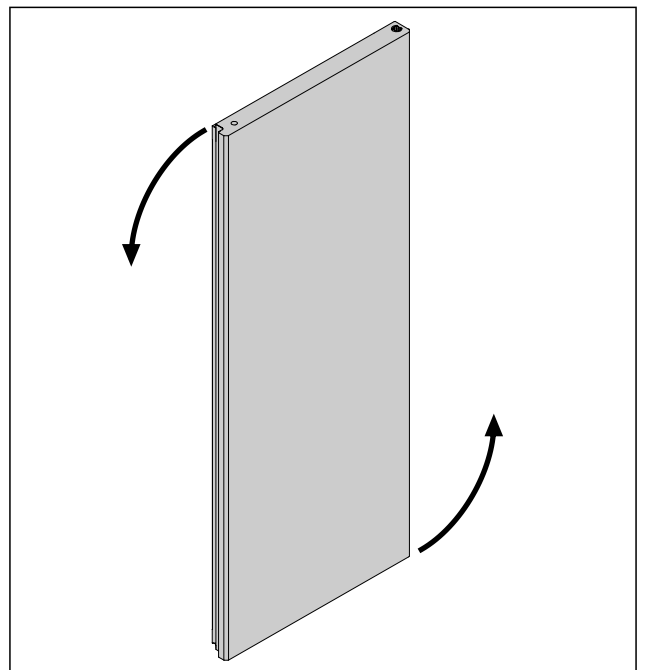


Fig. 55 Example illustration

- Turn the door 180°.



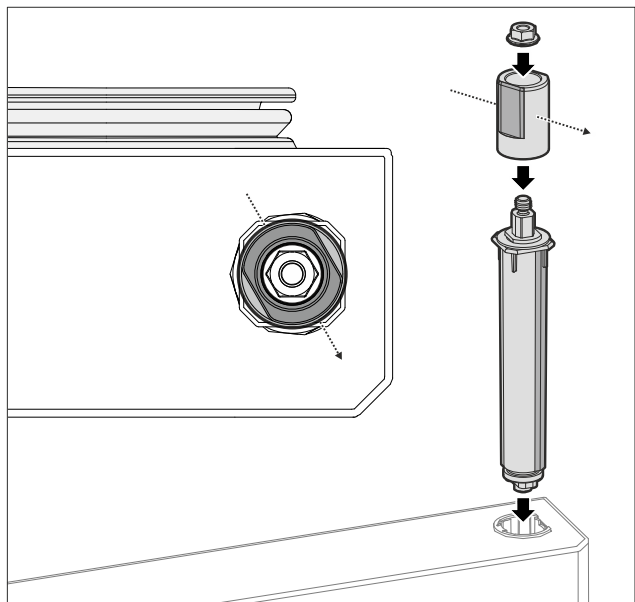


Fig. 56 Right stop

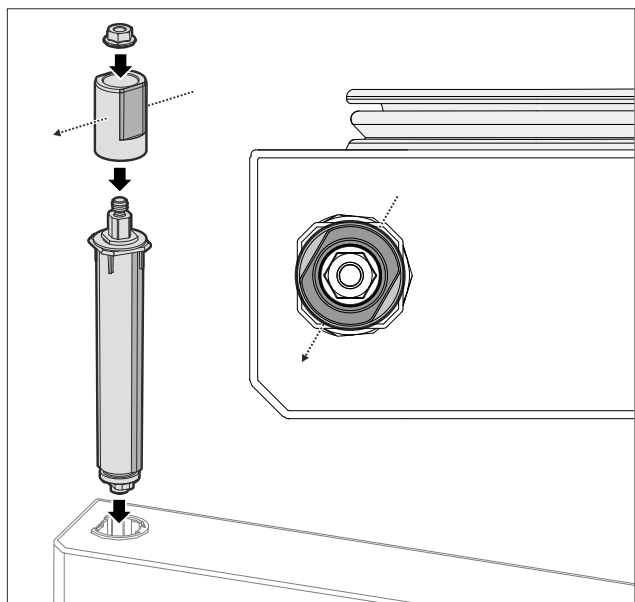


Fig. 57 Left stop

- ▶ Fit the upper locking system and insert on the hinge side, paying attention to the alignment of the sleeve.
- ▷ Glass door is converted.

#### 4.11.9 Converting the door (foamed door)\*

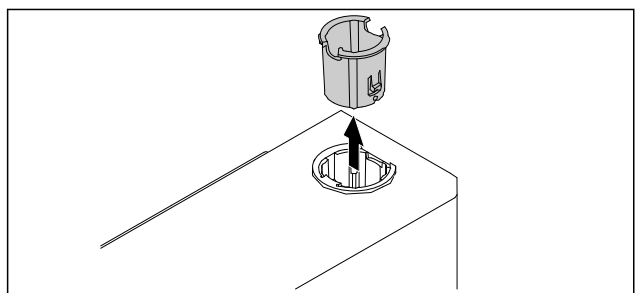


Fig. 58

- ▶ Pull out the hinge bushing on the opposite side.

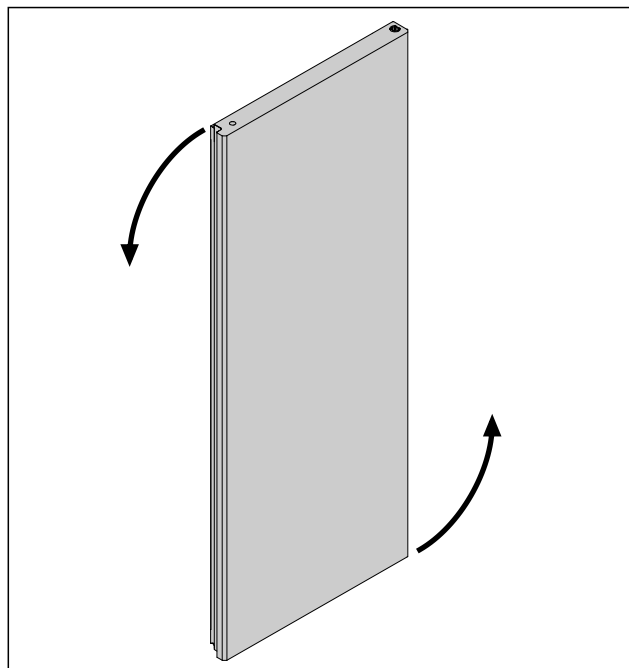


Fig. 59

- ▶ Turn the door 180°.

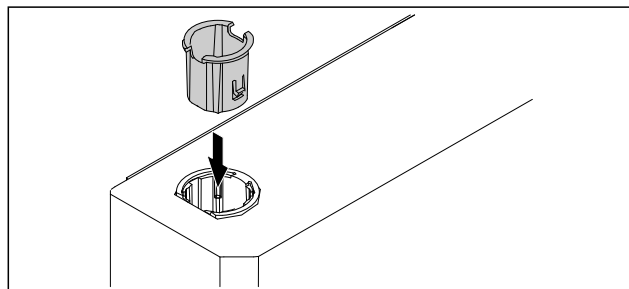


Fig. 60

- ▶ Insert the hinge bushing at the top of the hinge side (the flattened side faces outwards).
- ▷ Foamed door is converted.

#### 4.11.10 Fitting the lower locking system

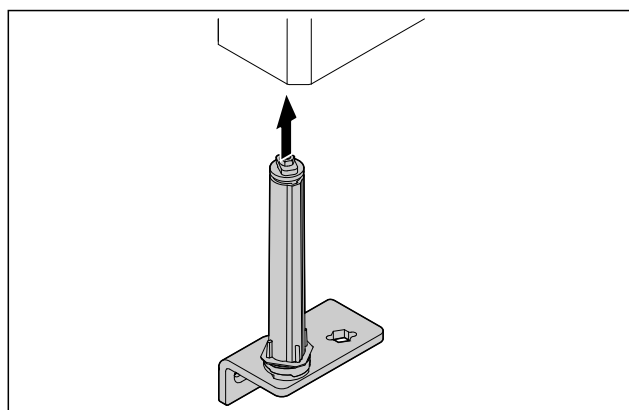


Fig. 61

- ▶ Slide the closing system into the door.

# Putting into operation

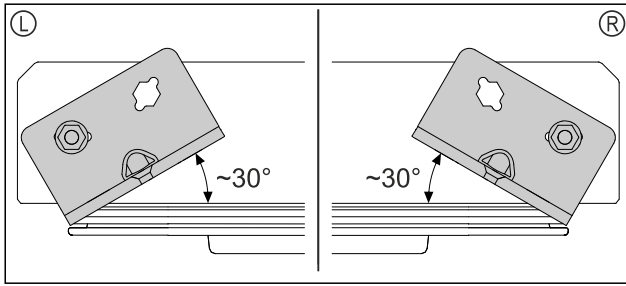


Fig. 62 Door from below

- ▶ Alignment of closing system installation for left-hinged (L) or right-hinged (R).

## 4.11.11 Fitting the door

### 4.11.11 Fitting the door (glass door)\*

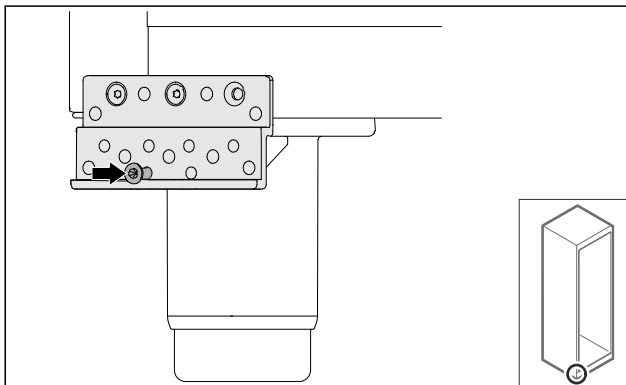


Fig. 63

- ▶ Slightly tighten the screw.

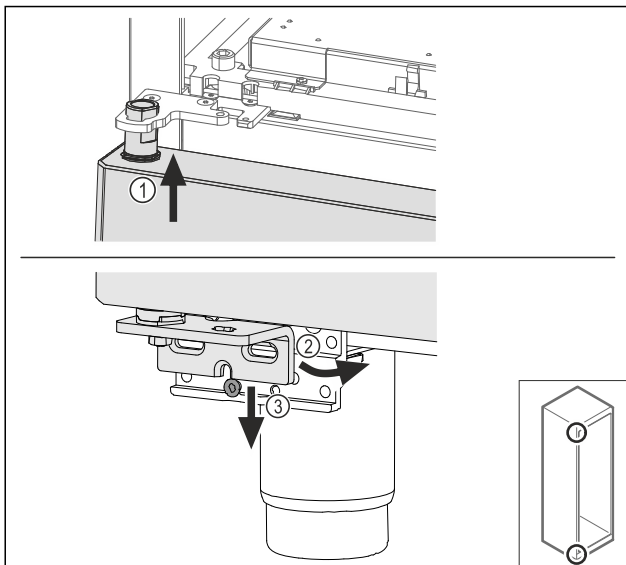


Fig. 64

- ▶ Insert the door slightly tilted at the top Fig. 64 (1), align the door straight Fig. 64 (2) and place it on the bottom of the swap bearing block screw Fig. 64 (3).

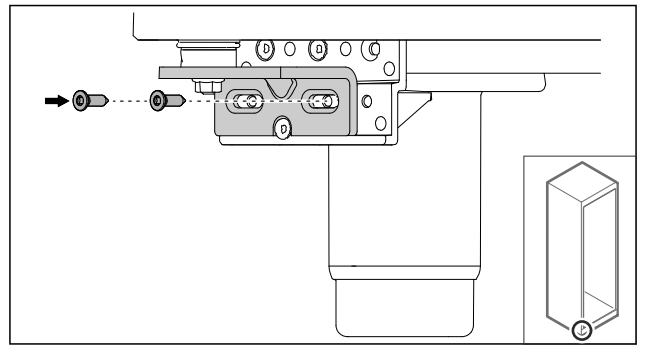


Fig. 65

- ▶ Screw on the door.

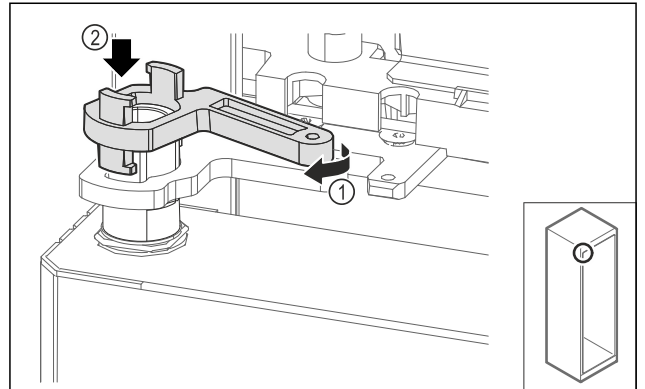


Fig. 66

- ▶ Turn the swap bearing block lock slightly and Fig. 66 (1) place it on the sleeve Fig. 66 (2).

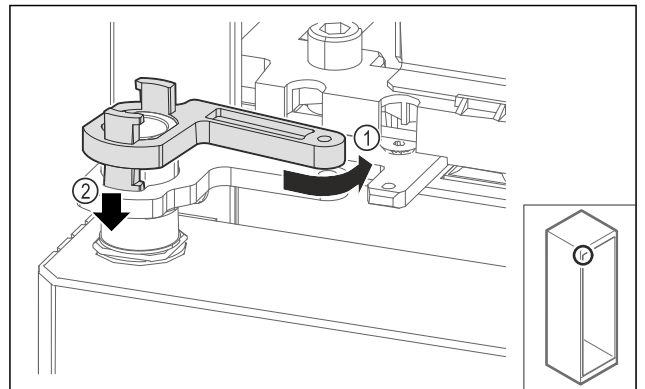


Fig. 67

- ▶ Turn the swap bearing block lock back slightly Fig. 67 (1), press it down Fig. 67 (2) and lock it at the hinge bracket.

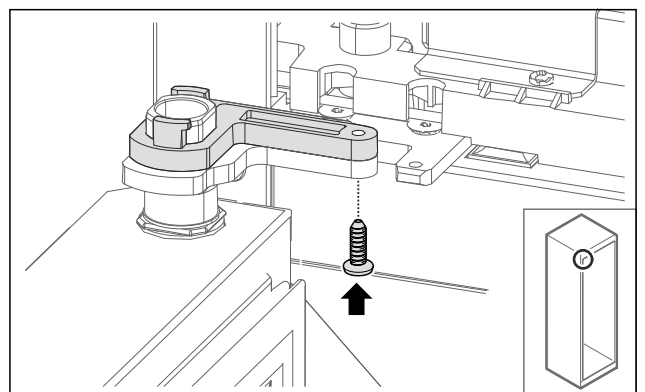


Fig. 68

- ▶ Open the door.
- ▶ Screw on the swap bearing block lock.
- ▶ Glass door is fitted.

## 4.11.11 Fitting the door (foamed door)\*

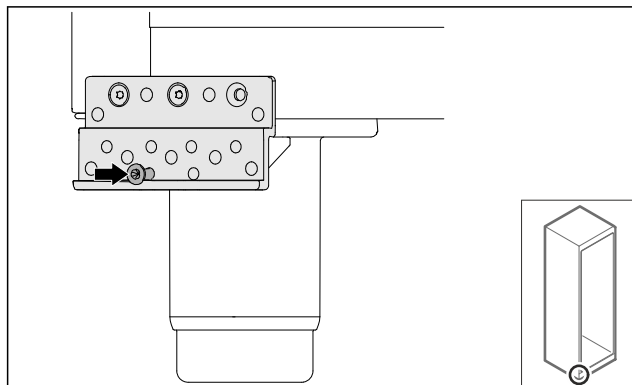


Fig. 69

- ▶ Slightly tighten the screw.

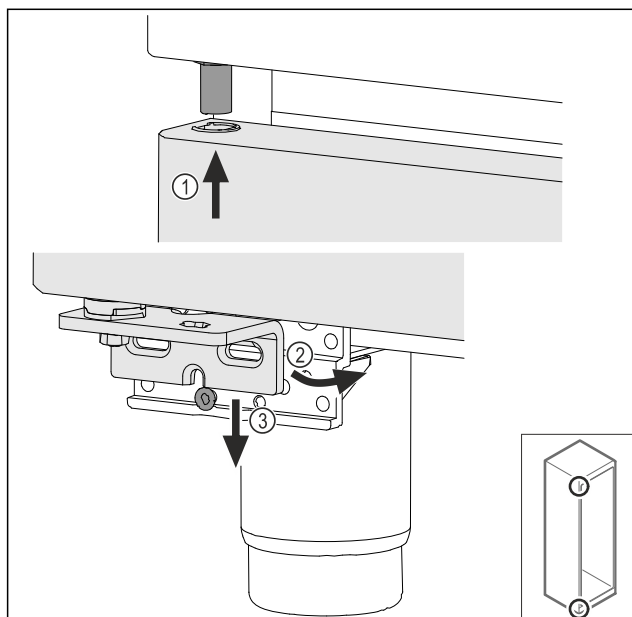


Fig. 70

- ▶ Insert the door slightly tilted at the top Fig. 70 (1), align the door straight Fig. 70 (2) and place it on the bottom of the swap bearing block screw Fig. 70 (3).

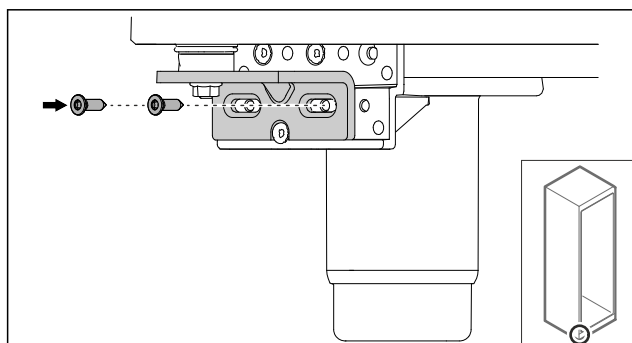


Fig. 71

- ▶ Screw on the door.
- ▷ Foamed door is fitted.

## 4.11.12 Closing the aggregate cover

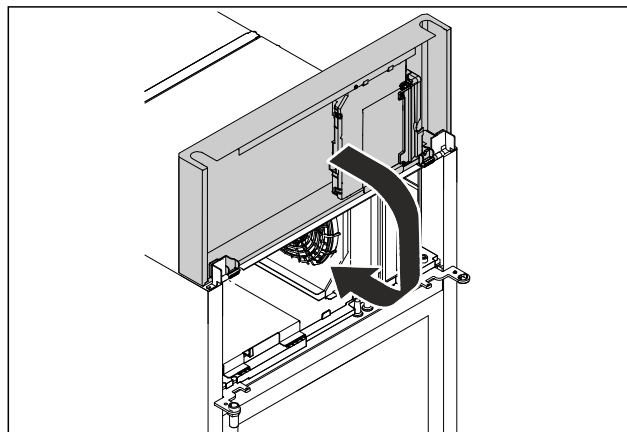


Fig. 72

- ▶ Close the aggregate cover.

### Note

Do not pinch the cable.

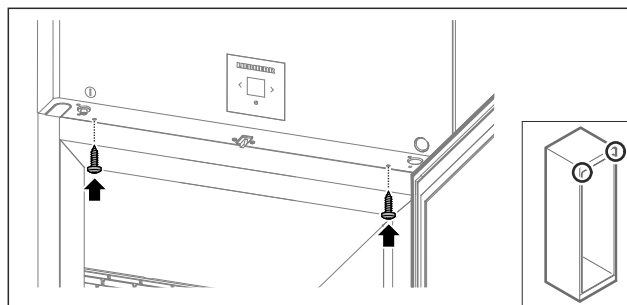


Fig. 73

- ▶ Screw on the aggregate cover.
- ▶ Close the door.
- ▷ The door hinge has been changed.

## 4.12 Aligning the door

### 4.12.1 Aligning the door horizontally

If the door is not straight, you can adjust it on the lower hinge.

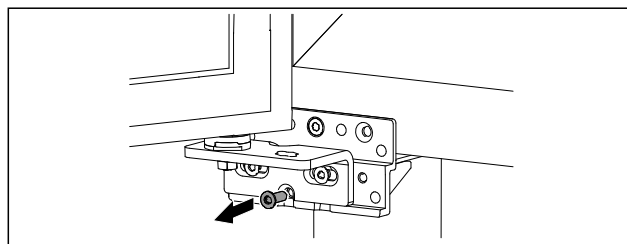


Fig. 74

- ▶ Remove the middle screw on the lower hinge.

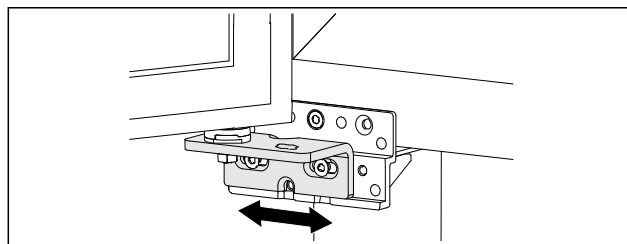


Fig. 75

- ▶ Slightly undo both screws and move the door with the hinge to the left or right.

## Putting into operation

- ▶ Fully tighten the screws (the middle screw is no longer needed).
- ▷ The door is now straight.

### 4.13 Connecting the appliance to the power supply



#### WARNING

Danger of electric shock and injury due to damaged appliance or damaged mains cable!  
 Danger of cuts and fatal injuries. If the appliance or the mains cable is damaged during transport, you may be electrocuted. You could also cut yourself on damaged parts of the appliance housing.

- ▶ Check the appliance and the mains cable for damage after transport.
- ▶ Never put the appliance into operation if the appliance or the mains cable are damaged.
- ▶ Contact Customer Service.

You can connect your appliance to the mains using the power cable supplied separately. The mains power cable has an appliance coupler at one end and a mains plug at the other end.

Make sure that the following requirements are fulfilled:

- The appliance and power cable are undamaged.
- The appliance is set up in accordance with the regulations. (see 4.5 Connect power cable)
- Requirements for the electrical connection are met. (see 4.1 Installation conditions)
- Dimensions for connection in accordance with regulations are known and observed.
- Mains voltage and frequency correspond to the specifications on the type plate.
- The socket is earthed according to the regulations and fused.
- The fuse tripping current is between 10 A and 16 A.
- The socket is easily accessible and is not behind the appliance.

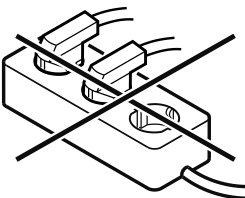
#### NOTICE

Danger of damage to incorrect operation!  
 Damage to the electrical components of the appliance.  
 ▶ Only use the supplied mains cable.



#### WARNING

Danger of fire due to incorrect connection!  
 Burns.  
 Damage to the appliance.  
 ▶ Do not use an extension cable.  
 ▶ Do not use distributor blocks.



#### NOTICE

Danger of damage to incorrect connection!  
 Damage to the appliance.  
 ▶ Do not connect the appliance to a stand-alone inverter, e.g. solar power systems and petrol generators.  
 ▶ Connect the mains cable plug to the power supply. Ensure that the plug is tightly in the socket.

- ▷ The standby symbol appears in the display.
- ▷ If no action occurs within 60 seconds: The standby symbol fades or disappears.
- ▷ The appliance is connected. For information regarding first use, see the following section or the operating instructions.

### 4.14 Switching on appliance (first use)

Make sure the following prerequisites are met:

- Appliance is installed and connected.
- All adhesive strips, adhesive and protective films and transport locks are removed from inside and outside the appliance.



Fig. 76 Example illustration

The standby symbol flashes until the startup process is complete.

The standby symbol is shown in the display.

If the appliance has been supplied with factory settings, the screen language first needs to be selected when using for the first time.

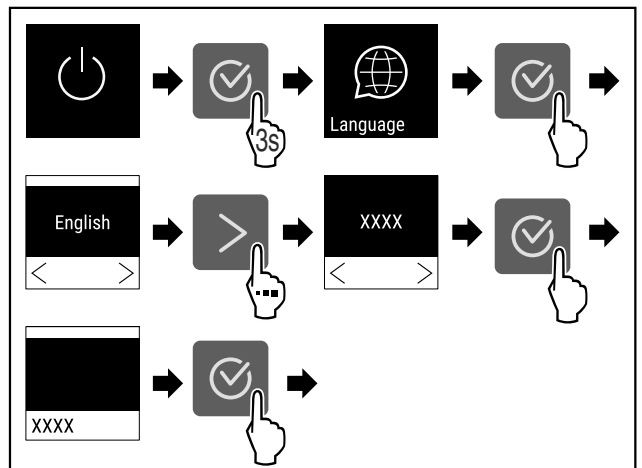


Fig. 77

- ▶ Carry out action steps according to the illustration.

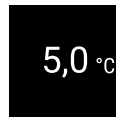


Fig. 78

- ▷ The appliance is switched on once the temperature appears in the display.
- ▷ The temperature display flashes until the set temperature is reached.

## 4.15 Using equipment

### 4.15.1 Inserting the snap strips

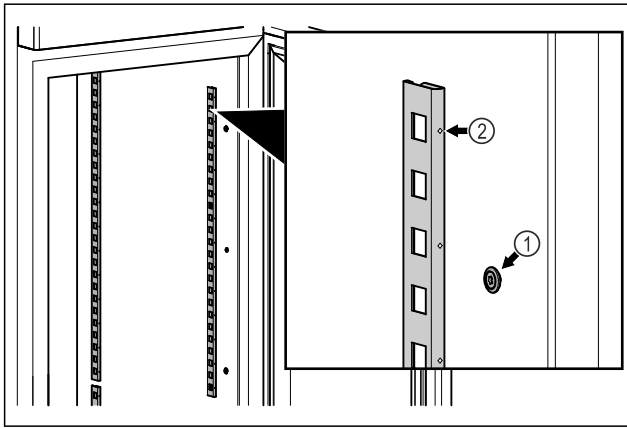


Fig. 79 Example illustration

- ▶ Hook the snap strips into the suspension Fig. 79 (1). Mark Fig. 79 (2) must point forwards.

### 4.15.2 Inserting support rail

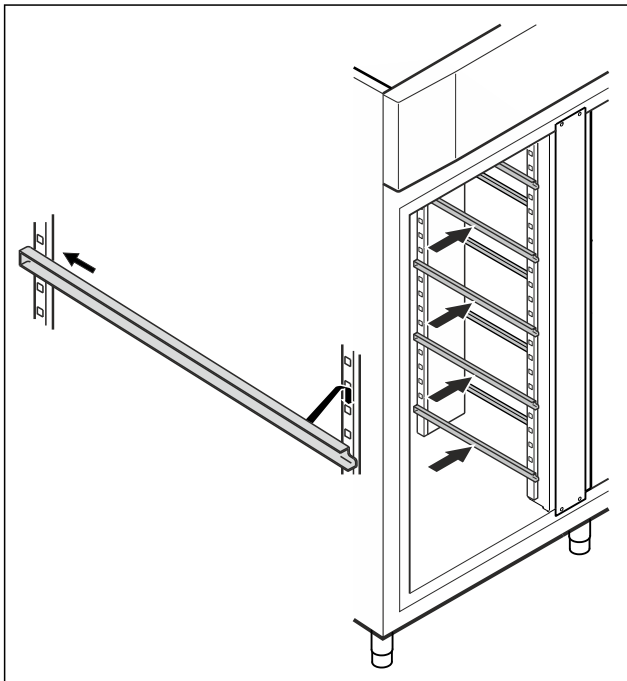


Fig. 80 Example illustration

- ▶ Insert support rail into rear snap-in bar and attach at front.

## 4.16 Centre grid shelf

### 4.16.1 Inserting centre grid shelf

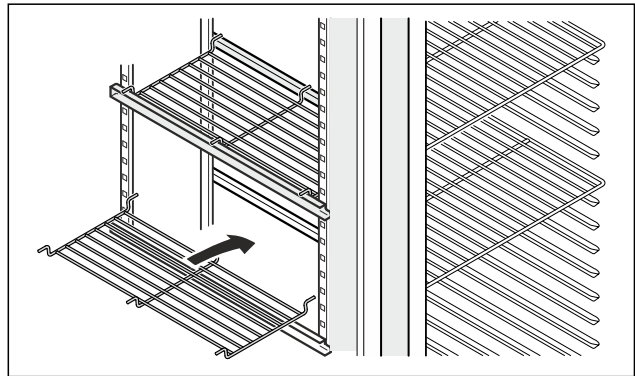


Fig. 81 Example illustration

- ▶ Place centre grid shelf on to support rails.

## 5 Storage

### 5.1 Information regarding storage

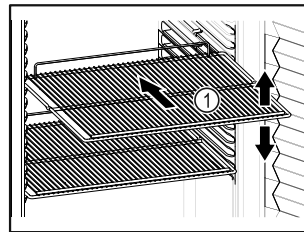



Fig. 82 Example illustration

When stocking observe the following:

- If there are adjustable shelves Fig. 82 (1), position them as required.
  - Observe maximum load weight. (see 9.1 Technical specifications)
  - Do not load appliance until storage temperature has been reached (maintain cold chain).
  - Refrigerated goods must not touch the rear wall.
  - Refrigerated items do not protrude beyond the shelves.
  - Keep liquids in closed containers.
  - Leave space when storing items for refrigeration to ensure good air circulation.
  - Do not stack refrigerated products above the indicated height. 
- This is important for free air circulation and even temperature distribution in the interior.

## 6 Controls

### 6.1 Control and display elements

The display provides a quick overview of the current appliance status, the temperature setting, the status of functions and settings as well as alarm and error messages.

It is operated using the navigation arrows and confirmation symbol.

Functions can be activated or deactivated and setting values can be changed.



Fig. 83 Display

- (1) Status display                      (3) Forward navigation arrow  
 (2) Backwards navigation arrow      (4) Confirm

## 6.1.1 Status display

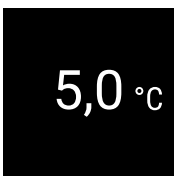


Fig. 84 Status display with actual temperature

The status display shows the actual temperature and is the home display. You navigate from here to the other functions and settings. The status display may show a range of display symbols.

## 6.1.2 Display symbols

Display symbols provide information about the status of the appliance.

Symbol	Appliance status
	<b>Standby</b> Appliance is switched off.
	<b>Flashing standby symbol</b> Appliance is starting up.
	<b>Flashing temperature</b> Target temperature not yet reached. Appliance cooling to temperature set.
	<b>Temperature display</b> Displays the current interior temperature
	<b>Display alternating between temperature/defrost symbol with white bar</b> Appliance is in manual defrosting mode

Symbol	Appliance status
	<b>D in the display</b> Appliance is in DemoMode.
	<b>Maintenance reminder</b> The time interval set has expired.
	<b>Data memory full</b> The data memory (999 hours) is full. From now, the oldest data will be overwritten.
	<b>Flashing symbol</b> A fault is still active.
	<b>Error symbol</b> Appliance is in error state.
	<b>White bar at the bottom</b> Submenu
	<b>White bar at the top</b> Default, active setting or active value
	<b>Increasing bar</b> Press button for 3 seconds to activate setting.
	<b>Decreasing bar</b> Press button for 3 seconds to deactivate setting.

Status display symbols

## 6.1.3 Acoustic signals

A signal sounds in the following cases:

- If a function or a value is confirmed.
- If a function or a value can either not be activated or not deactivated.
- As soon as an error occurs.
- If there is an alarm message.

The alarms can be switched on and off in the customer menu.

## 6.2 Appliance functions

### 6.2.1 Notes on the appliance functions

The appliance functions are set at the factory so that your appliance is fully functional.

Before you alter, activate or deactivate the device functions, make sure that the following requirements are met:

- You have read and understood the descriptions of how the display works. (see 3 Functionality of the Touch display)
- You have familiarised yourself with the operating and display elements of your appliance. (see 6.1 Control and display elements)

## 6.2.2 Switching appliance on and off



Using this setting the entire appliance can be switched on and off.

### Switching on appliance

Without activated DemoMode:

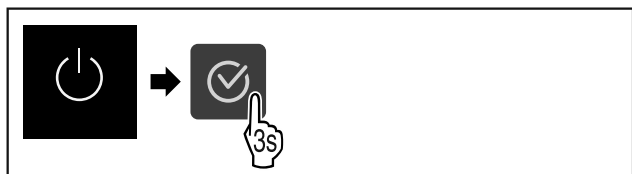


Fig. 85

▶ Carry out action steps according to the illustration.

With activated DemoMode:

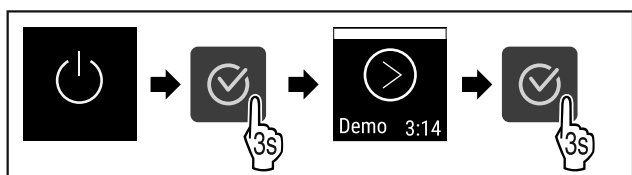


Fig. 86

▶ Carry out action steps according to the illustration.

### Note

Deactivate DemoMode before countdown finishes.

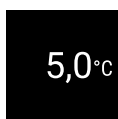


Fig. 87

▷ The temperature appears in the display.

### Switching off appliance



Fig. 88

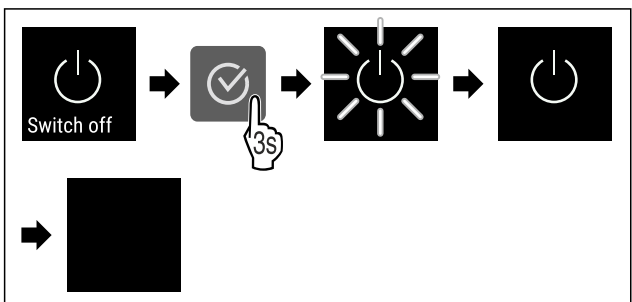


Fig. 89

- ▶ Carry out action steps according to the illustration.
- ▷ Standby symbol is shown in the display.
- ▷ Display switches off after approximately 10 minutes.

## 6.2.3 Temperature



The temperature depends on the following factors:

- How often the door is opened
- How long the door is open for

- The room temperature of the installation site
- The type, temperature and amount of refrigerated items

### Note

The temperature may differ from the temperature displayed in some areas of the interior.

### Setting temperature



Fig. 90

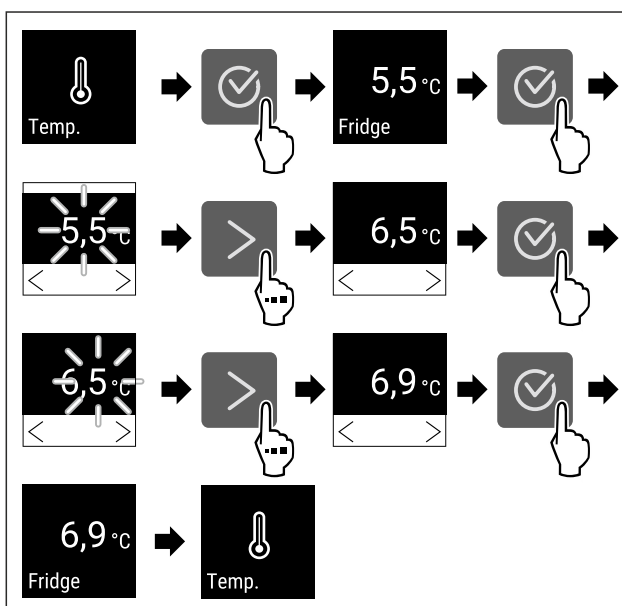


Fig. 91 Changing temperature from 5.5 °C to 6.9 °C

- ▶ Carry out action steps according to the illustration.
- ▷ Temperature is set.

## 6.2.4 Temperature recording



The appliance displays the minimum and maximum temperatures of the interior. The recording of these temperatures starts automatically after the appliance is switched on; they are recorded at one minute intervals. A note indicating that the data memory is full is displayed after 999 hours (approx. 40 days). The temperature recording should then be reset.

### Note

We recommend resetting the temperature recording once **after reaching the set temperature** when the appliance is commissioned. This ensures that the value displayed for the maximum temperature is a meaningful value.

### Displaying temperature recording

The temperature recording displays the length of the recording and the minimum and maximum temperatures measured during this period of time.



Fig. 92

# Controls



Fig. 93

▷ Status screen with the temperature recordings is displayed.

## Resetting temperature recording

The displayed minimum and maximum temperatures can be reset at any time. This deletes the displayed values and the recording interval starts again.



Fig. 94

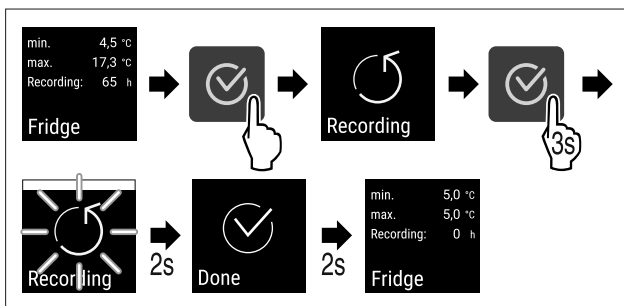


Fig. 95

▶ Carry out steps according to the illustration.  
 ▷ Temperature recording is reset.  
 ▷ Recording interval starts again.



## 6.2.5 Lighting

The appliance is fitted with interior lighting. You can keep the interior lighting on continuously. (see Switching on lighting\*) \*

When you open the appliance door, the interior lighting switches on.

You can also deactivate this function. (see Switching off the lighting when opening the door\*) \*

### Switching off lighting\*

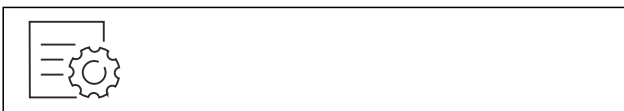


Fig. 96

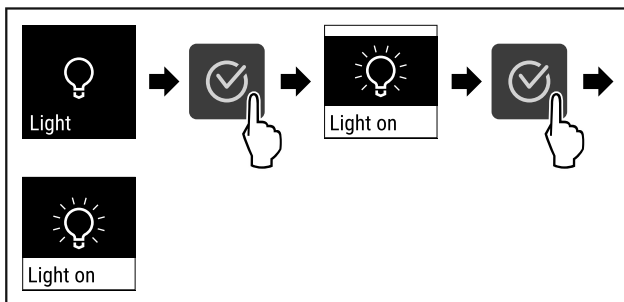


Fig. 97

▶ Carry out action steps according to the illustration.  
 ▷ Lighting is switched off.

### Switching on lighting\*



Fig. 98

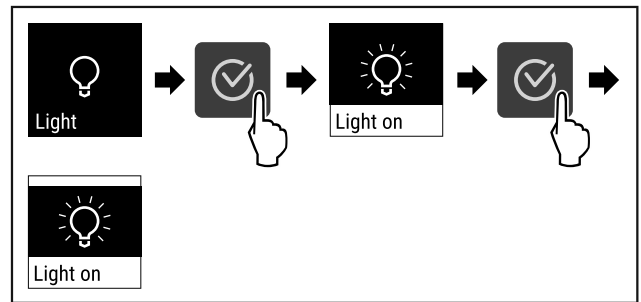


Fig. 99

▶ Carry out action steps according to the illustration.  
 ▷ Lighting is switched on.

### Switching off the lighting when opening the door\*



Fig. 100

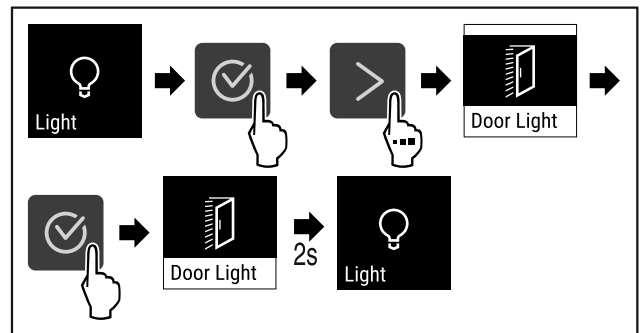


Fig. 101

▶ Carry out action steps according to the illustration.  
 ▷ The lighting is switched off when the door is opened.

### Switching on the lighting when opening the door\*

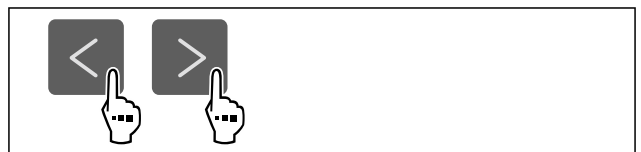


Fig. 102

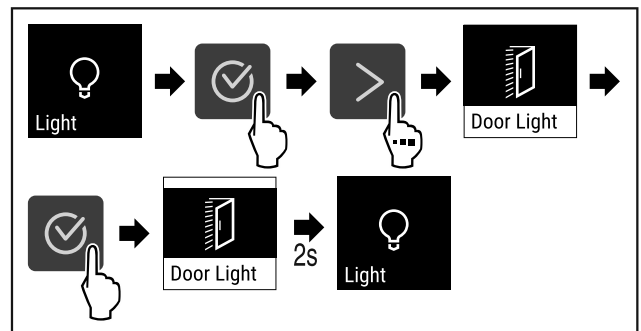


Fig. 103

▶ Carry out action steps according to the illustration.



▷ The lighting is switched on when the door is opened.

## 6.2.6 Settings menu access protection



This setting enables the settings menu access protection via a three-digit PIN code.

Application:

- Prevent settings and functions being changed unintentionally.
- Prevent appliance being switched off unintentionally.
- Avoid unintentional temperature adjustment.

### Note

▶ In the following examples, the factory-set PIN code: **1 1 1** is used.

### Activating the settings menu access protection



Fig. 104

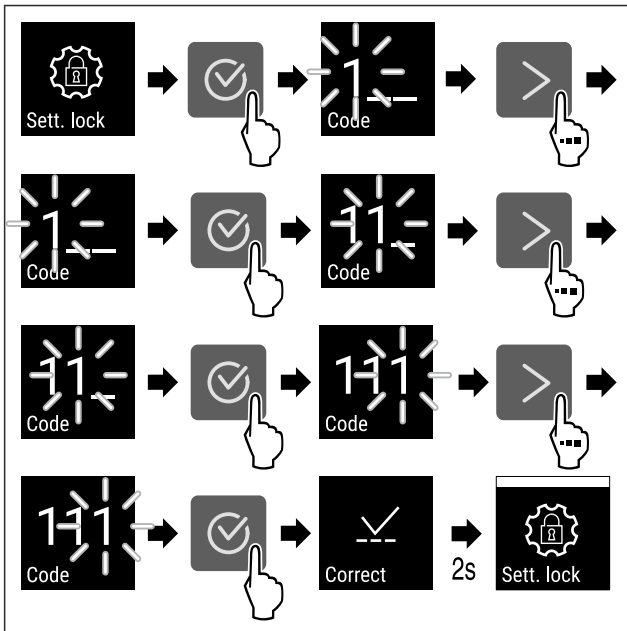


Fig. 105

▶ Carry out action steps according to the illustration.  
▷ Settings menu access protection is activated.

### Changing the access protection PIN code for the settings menu

See: (see 6.2.7 Access code)

### Deactivating the settings menu access protection



Fig. 106

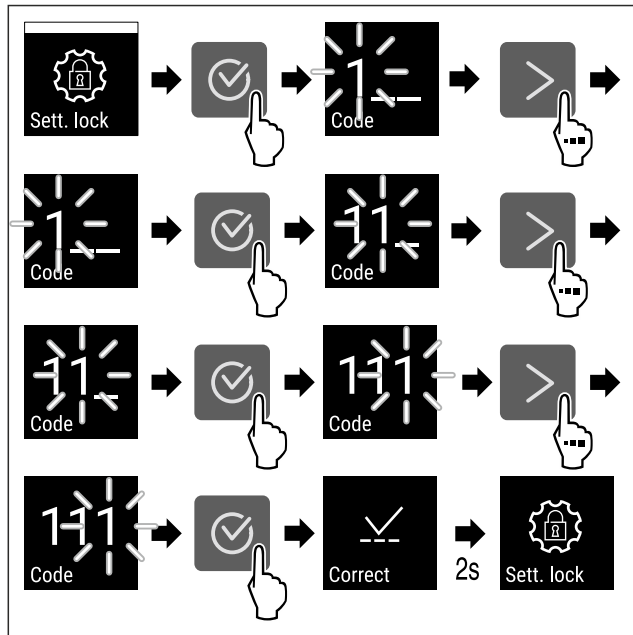


Fig. 107

▶ Carry out action steps according to the illustration.  
▷ Settings menu access protection is deactivated.

### Opening protected settings menu

If the access protection is active, you must enter the PIN code in order to be able to open the settings menu. As soon as you exit the settings menu, the access protection re-activates automatically.

▶ Tap navigation arrow repeatedly until corresponding function is displayed.

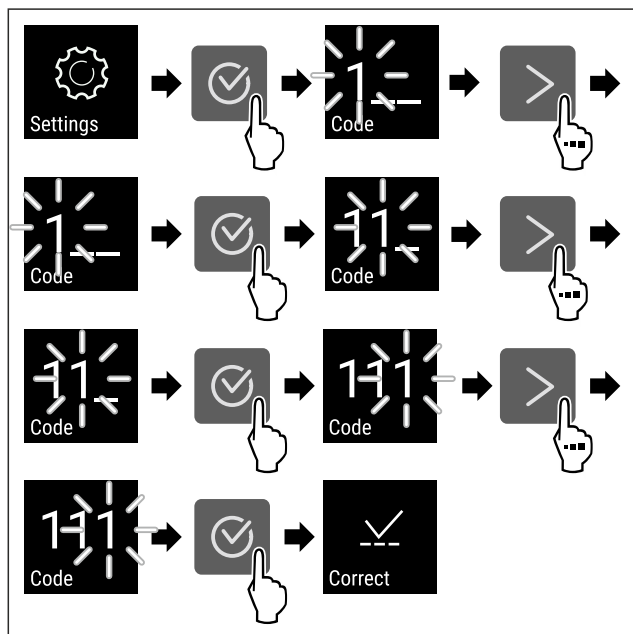


Fig. 108

▶ Carry out action steps according to the illustration.  
▷ The PIN code is correct.  
▷ The settings menu opens.

## 6.2.7 Access code

Various settings are possible.

Application:

- Changing the settings code.
- Resetting the settings code.

## Settings menu access protection



### Changing the settings code

This setting allows the settings code for settings menu access protection to be changed.

The setting is made in 3 stages:

- Entering the old settings code
- Entering the new settings code
- Confirming the new settings code

#### Note

- ▶ In the following example, the default factory-set settings code **1 1 1** is changed.
- ▶ The new settings code is: **2 3 4**



Fig. 109

**The access protection for the settings menu must be active.** (see 6.2.6 Settings menu access protection )

- ▶ Tap the navigation arrow repeatedly until the corresponding function is displayed.

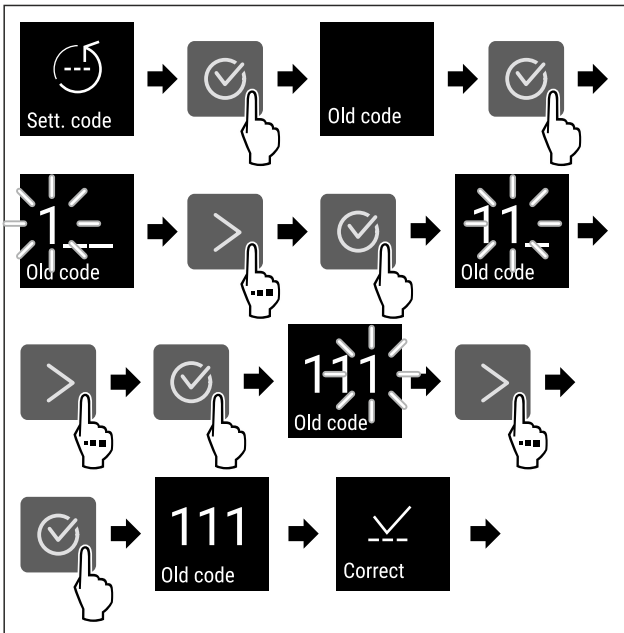


Fig. 110

- ▶ Carry out action steps according to the illustration.
- ▷ Entry of the old settings code successful.

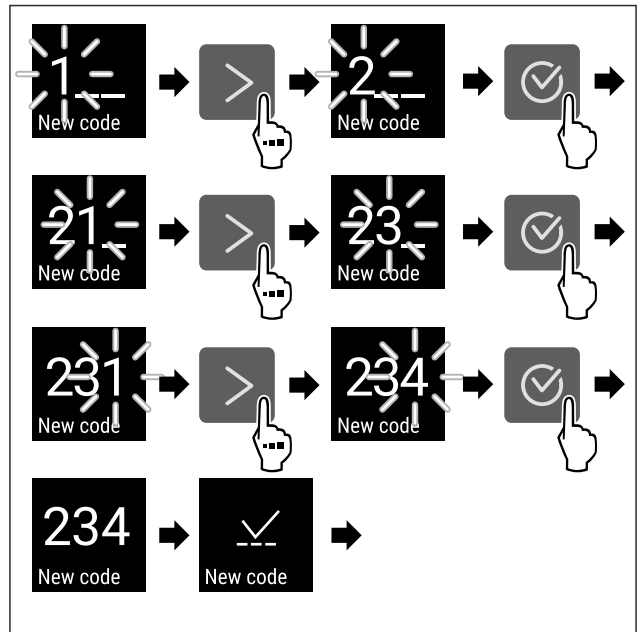


Fig. 111

- ▶ Carry out action steps according to the illustration.
- ▷ Entry of the new settings code successful.

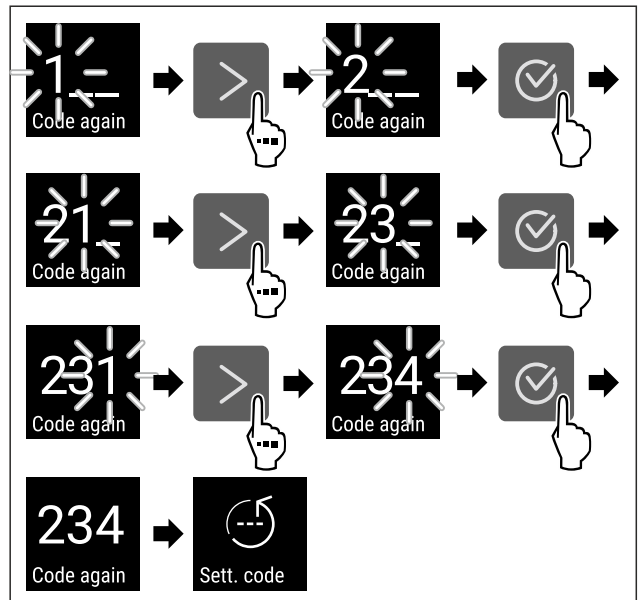


Fig. 112

- ▶ Carry out action steps according to the illustration.
- ▷ Confirmation of the new settings code successful.
- ▷ The settings code has been changed.

### Resetting the settings code

The settings code for the settings menu access protection has been forgotten or is not known.

- ▶ Reset appliance to factory settings (see 6.2.27 Resetting to factory settings ).
- ▷ The appliance is reset to the original settings.
- ▷ The factory-set settings code is: **1 1 1**

## 6.2.8 Maintenance interval reminder



Setting for the time interval after which a maintenance reminder is issued.

The following values can be set:

- 7 days

- 14 days
- 30 days
- 60 days
- 90 days
- 180 days
- 360 days
- 720 days
- 1080 days
- Off

## Setting maintenance interval reminder

The following steps describe how the maintenance interval is set.



Fig. 113

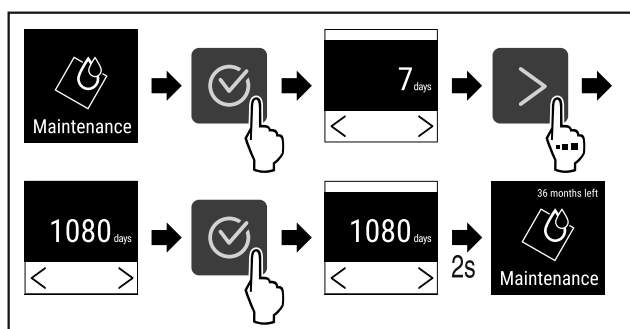


Fig. 114

- ▶ Carry out action steps according to the illustration.
- ▷ The time interval, after which the maintenance reminder is issued, is set.
- ▷ The remaining time is displayed.

## 6.2.9 Language



This setting allows the display language to be set.

### Setting language



Fig. 115

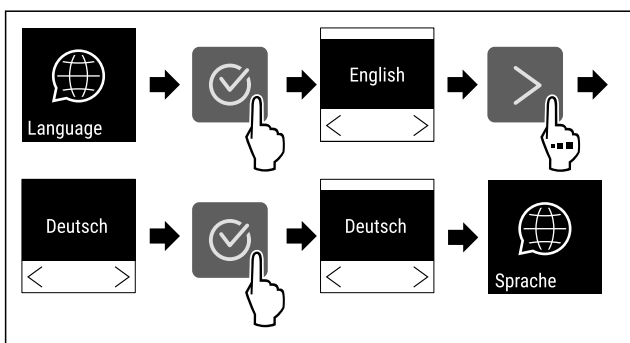


Fig. 116

- ▶ Carry out action steps according to the illustration.
- ▷ The selected language is set.

## 6.2.10 Temperature unit



Use this function to set the temperature unit. You can set degrees Celsius or degrees Fahrenheit as the temperature unit.

### Setting the temperature unit

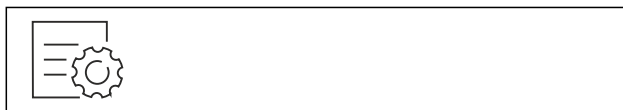


Fig. 117

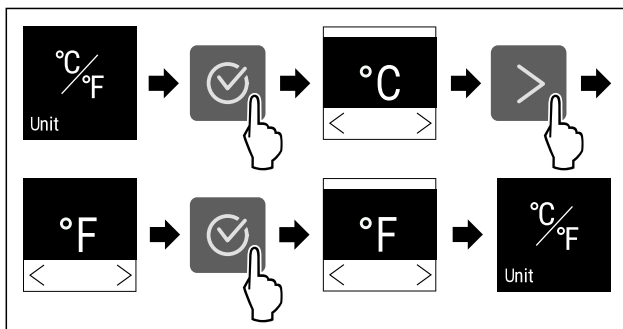


Fig. 118 Example illustration: Switch from degrees Celsius to degrees Fahrenheit.

- ▶ Carry out action steps according to the illustration.
- ▷ The temperature unit is set.

## 6.2.11 Display brightness



Use this function to set the display brightness in stages.

You can select the following brightness levels:

- 40 %
- 60 %
- 80 %
- 100 % (pre-setting)

### Setting the brightness

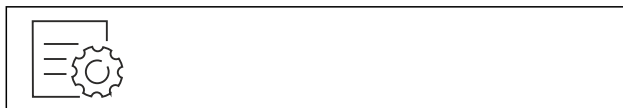


Fig. 119

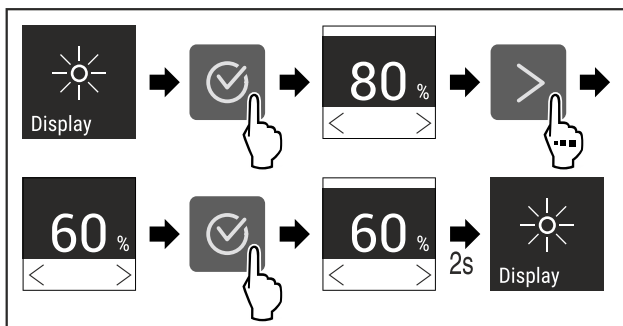


Fig. 120 Example illustration: Switch from 80 % to 60 %.

- ▶ Carry out action steps according to the illustration.
- ▷ The brightness is set.

## 6.2.12 Alarm Sound



This function enables all alarm sounds, such as door alarm, to be switched on and off.

### Activating Alarm Sound

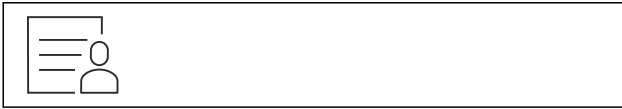


Fig. 121

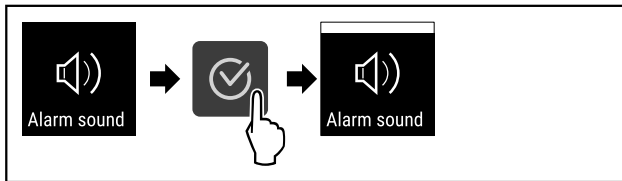


Fig. 122

- ▶ Carry out action steps according to the illustration.
- ▷ Alarm Sound is activated.

### Deactivating Alarm Sound



Fig. 123

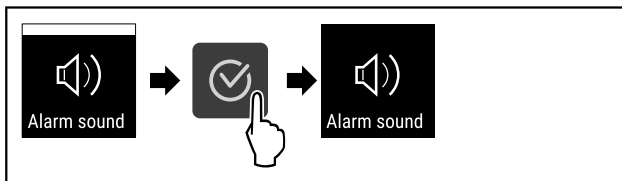


Fig. 124

- ▶ Carry out action steps according to the illustration.
- ▷ Alarm Sound is deactivated.

## 6.2.13 Key Sound



This function makes it possible to switch all confirmation sounds and the Startsound on and off.

### Activating Key Sound

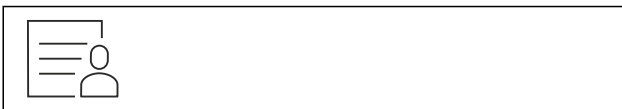


Fig. 125

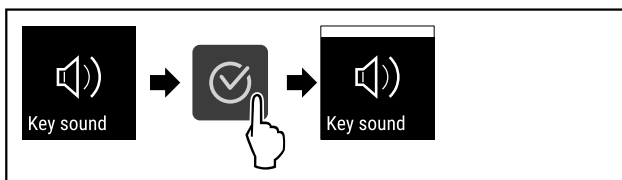


Fig. 126

- ▶ Carry out action steps according to the illustration.
- ▷ Key Sound is activated.

## Deactivating Key Sound



Fig. 127

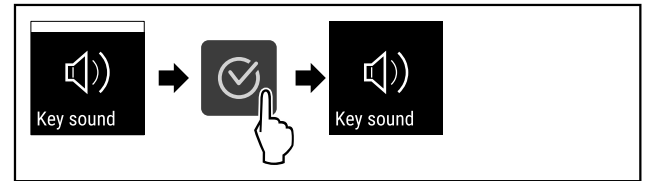


Fig. 128

- ▶ Carry out action steps according to the illustration.
- ▷ Key Sound is deactivated.

## 6.2.14 WiFi connection



### Note

Liebherr SmartMonitoring Dashboard is not available in all countries. Check availability via the QR code by entering your model.

### Note

Use of the Liebherr SmartMonitoring Dashboard at <https://smartmonitoring.liebherr.com> requires installation of a SmartModule and a commercial MyLiebherr account. When commissioning online you can register using the login data you have, or register again and create a company account.

This setting establishes a wireless connection between the appliance and the internet. The connection is controlled via the SmartModule. The appliance can be integrated via the browser-based [Liebherr SmartMonitoring Dashboard](#) and advanced options as well as customised methods relating to control, administration and monitoring can be used.

### Note

Accessories are available from Customer Service (see 9.3 Customer Service) and the Liebherr-Hausgeräte store at [home.liebherr.com/shop/de/deu/zubehor.html](http://home.liebherr.com/shop/de/deu/zubehor.html).

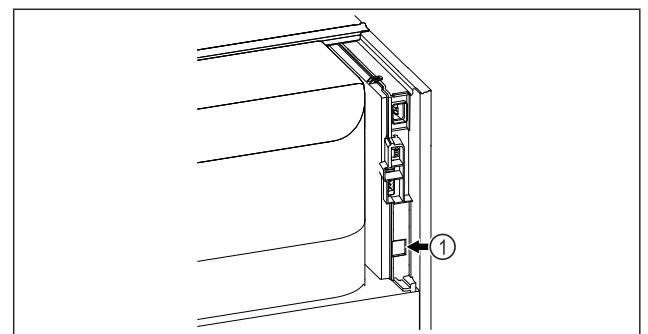


Fig. 129

Make sure that the following requirements are fulfilled:

- SmartModule Fig. 129 (1) is in use.

### Establishing connection

You commission and set up your SmartModule online via the [Liebherr SmartMonitoring Dashboard](#) on your web-enabled device.

On the [Liebherr SmartMonitoring Dashboard](#), information is also available about retrofitting the SmartModule.



Fig. 130

- ▶ Open the [Liebherr SmartMonitoring Dashboard](#) (see Fig. 130).

On the refrigerator or freezer:

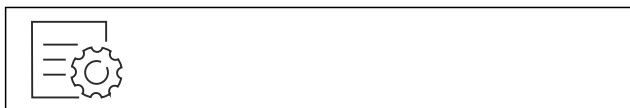


Fig. 131

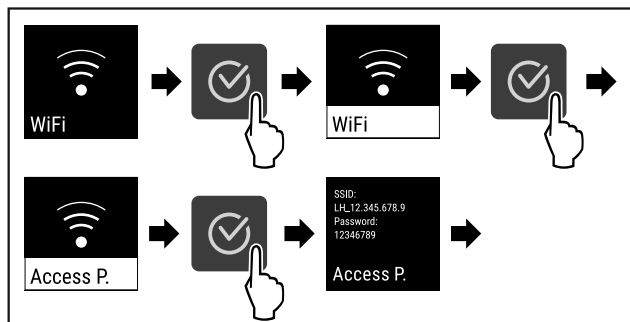


Fig. 132

- ▶ Carry out action steps according to the illustration.
- ▶ Continue the set-up procedure on your web-enabled device: [Liebherr SmartMonitoring Dashboard](#)

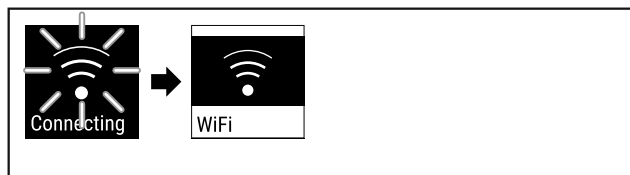


Fig. 133

- ▶ Connection is established.
- ▷ WiFi connecting appears. The symbol flashes.
- ▶ Follow the [Liebherr SmartMonitoring Dashboard](#) instructions.
- ▷ Connection is established.

## Disconnecting



Fig. 134

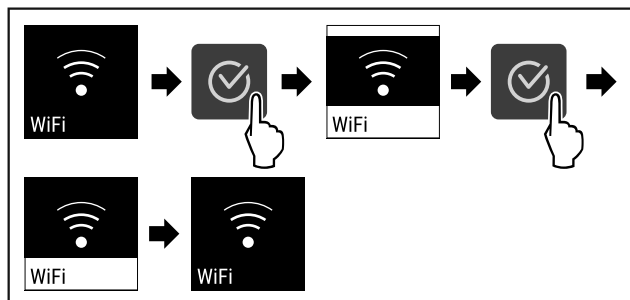


Fig. 135

- ▶ Carry out action steps according to the illustration.
- ▷ There is no connection.

## Resetting connection



Fig. 136

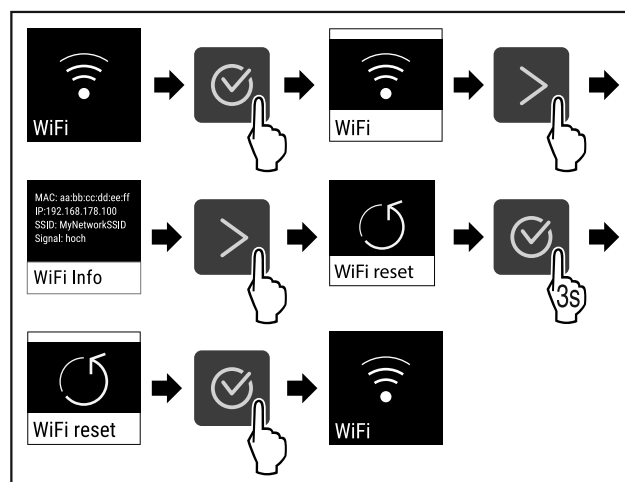


Fig. 137

- ▶ Carry out action steps according to the illustration.
- ▷ The WiFi settings are restored to the factory settings.



## 6.2.15 LAN connection

### Note

Liebherr SmartMonitoring Dashboard is not available in all countries. Check availability via the QR code by entering your model.

### Note

Use of the Liebherr SmartMonitoring Dashboard at <https://smartmonitoring.liebherr.com> requires installation of a SmartModule and a commercial MyLiebherr account. When commissioning online you can register using the login data you have, or register again and create a company account.

This setting establishes a wired connection between the appliance and the internet. The connection is controlled via the SmartModule. The appliance can be integrated via the browser-based [Liebherr SmartMonitoring Dashboard](#) and advanced options as well as customised methods relating to control, administration and monitoring can be used.

### Note

Accessories are available from Customer Service (see 9.3 Customer Service) and the Liebherr-Hausgeräte store at [home.liebherr.com/shop/de/deu/zubehor.html](http://home.liebherr.com/shop/de/deu/zubehor.html).

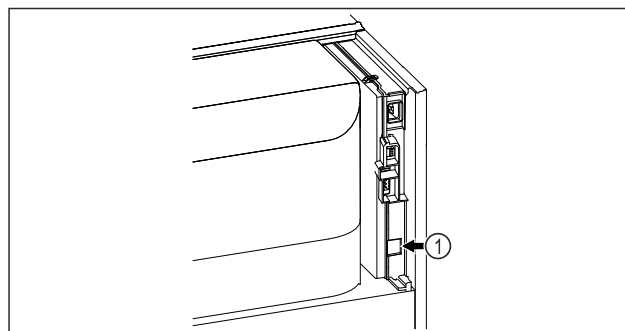


Fig. 138

# Controls

Make sure that the following requirements are fulfilled:

- SmartModule Fig. 138 (1) is in use.
- A network cable is connected.
- The network is connected to the internet.

## Establishing connection

You commission and set up your SmartModule online via the [Liebherr SmartMonitoring Dashboard](#) on your web-enabled device.

On the [Liebherr SmartMonitoring Dashboard](#), information is also available about retrofitting the SmartModule.



Fig. 139

- ▶ Open the [Liebherr SmartMonitoring Dashboard](#) (see Fig. 139).

On the refrigerator or freezer:



Fig. 140

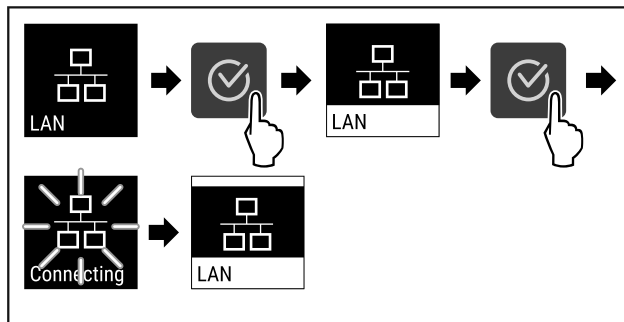


Fig. 141

- ▶ Carry out action steps according to the illustration.
- ▷ Connection is established: LAN connecting appears. The symbol flashes.
- ▶ Follow the [Liebherr SmartMonitoring Dashboard](#) instructions.
- ▷ Connection is established.

## Disconnecting

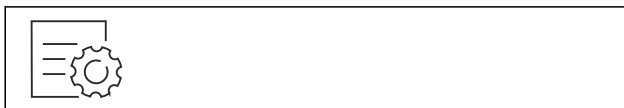


Fig. 142

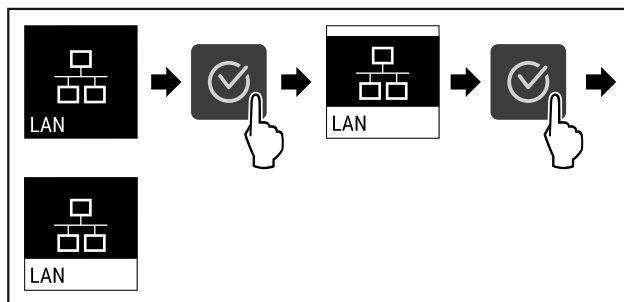


Fig. 143

- ▶ Carry out action steps according to the illustration.
- ▷ There is no connection.

## 6.2.16 Device information



Use this function to indicate the model name, index, serial number and service number of your device. You will need the device information when you contact customer service. (see 9.3 Customer Service)

This function also opens the Advanced menu. (see 3 Functionality of the Touch display)

### Indicating the device information



Fig. 144



Fig. 145

- ▶ Carry out action steps according to the illustration.
- ▷ Display indicates device information.

## 6.2.17 Operating hours



The display shows the appliance operating hours.

### Displaying operating hours



Fig. 146



Fig. 147

- ▷ The operating hours appear.

## 6.2.18 Software



Use this function to indicate the software version of your device.

### Indicating the software version



Fig. 148



Fig. 149

- ▶ Carry out action steps according to the illustration.
- ▷ Display indicates software version.

## 6.2.19 Defrosting



The appliance defrosts automatically in normal mode.

Application:

- If there is excessive ice in the interior, the defrosting function can be started manually.

### Manually starting automatic defrosting

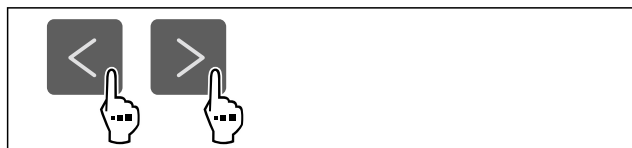


Fig. 150

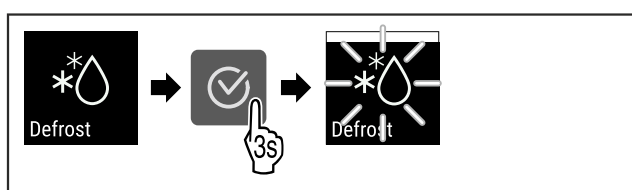


Fig. 151

- ▶ Carry out action steps according to the illustration.
- ▷ Automatic defrosting has been started. The appliance automatically switches back to normal mode once defrosting has finished.

### Note

If there is still ice in the interior after starting automatic defrosting several times, defrost the appliance manually. (see 8.2 Defrosting appliance)

### Cancelling manually started defrosting

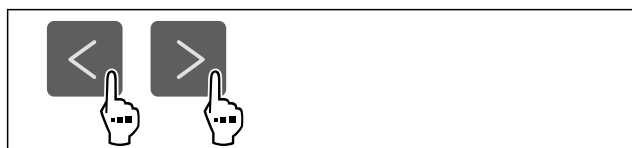


Fig. 152

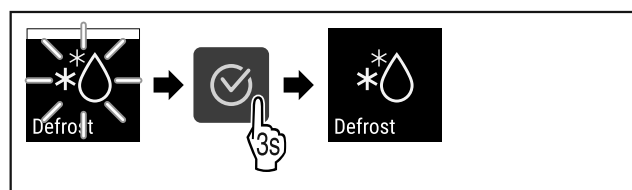


Fig. 153

- ▶ Carry out action steps according to the illustration.
- ▷ Manually started defrosting is cancelled. The appliance automatically switches back to normal mode.

### Defrosting info



This setting adjusts the display during an automatic defrosting process.

The following display variants are available:

- **Def 1:** The temperature display is not updated and shows the last temperature before the automatic defrosting process started.

- **Def 2:** “Automatic defrosting” notice is indicated on the status display. The temperature display is continuously updated and shows the actual temperature.
- **Def 3:** The temperature display is continuously updated and shows the actual temperature.
- **Def 4:** “Automatic defrosting” notice is indicated on the status display. The temperature display is not updated and shows the last temperature before the automatic defrosting process started.

### Defrosting

Fig. 154 “Automatic defrosting process” note



Fig. 155

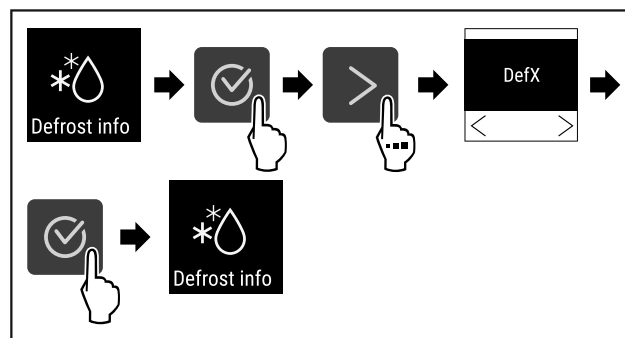


Fig. 156

- ▶ Carry out action steps according to the illustration.
- ▷ The desired display variant has been selected.

## 6.2.20 Sensor calibration



You can use sensor calibration to compensate for differences between the set temperature and the actual existing temperature. To do this, use calibrated measuring equipment to determine the actual existing temperature.

Setting range: +/- 3 Kelvin in 0.1 Kelvin increments.

### Calibrating the sensor

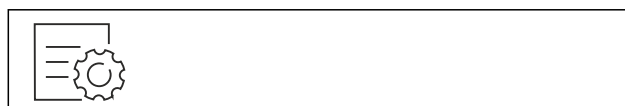


Fig. 157

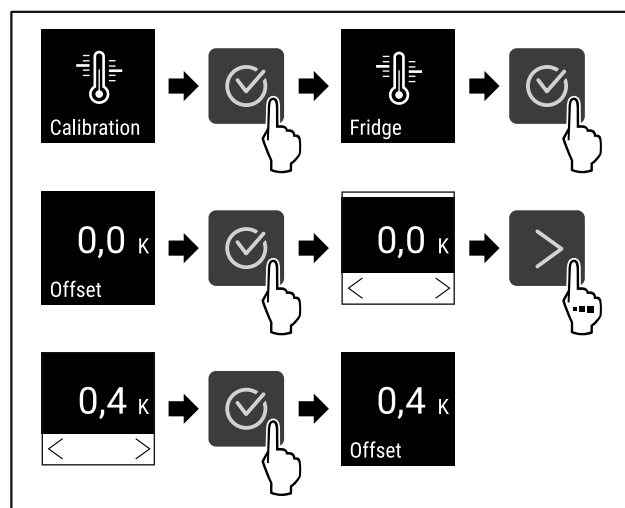


Fig. 158

- ▶ Carry out action steps according to the illustration.

# Controls

▷ The sensor is calibrated.

## Note

The calibrated temperature is indicated on the display within two hours.

### 6.2.21 Temperature alarm



Use this function to set the temperature alarm. You set the upper and lower temperature limits with a differential offset to the indoor temperature currently set. The temperature alarm is triggered as soon as the indoor temperature leaves the set temperature range and any set delay time has elapsed.

Example	Differential value to be set	
Current indoor temperature	5 °C	
Lower temperature limit	2 °C	-3 °C
Upper temperature limit	8 °C	+3 °C

The following values can be set:

- Differential value for lower temperature limit in 0.1 °C steps
- Differential value for upper temperature limit in 0.1 °C steps
- Alarm delay time from 0 to 60 minutes (setting "0" means no temperature alarm delay.)
- Alarm repetition frequency from 0 to 30 minutes (setting "0" means no alarm repetition after confirming the alarm.)

#### Setting temperature alarm



Fig. 159



Fig. 160

▶ Carry out action steps according to the illustration.



Fig. 161

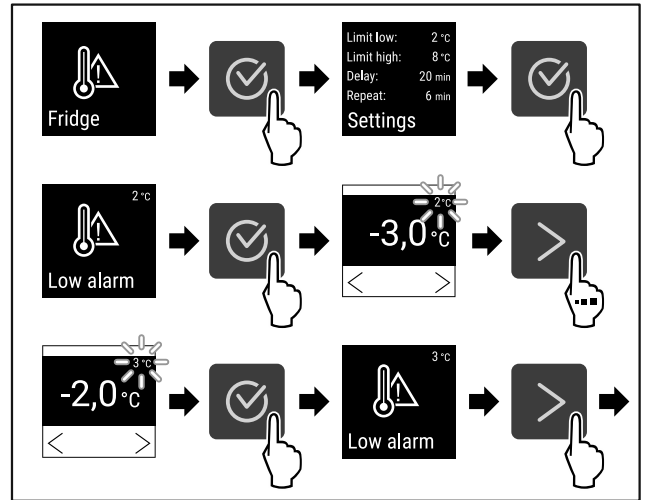


Fig. 162 Example of setting the lower temperature limit based on a set appliance temperature of 5 °C.

- ▶ Carry out action steps according to the illustration.
- ▷ Lower temperature limit has been set.

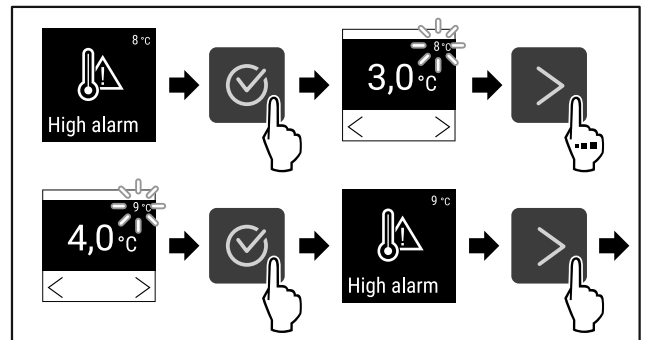


Fig. 163 Example of setting the upper temperature limit based on a set appliance temperature of 5 °C.

- ▶ Carry out action steps according to the illustration.
- ▷ Upper temperature limit has been set.

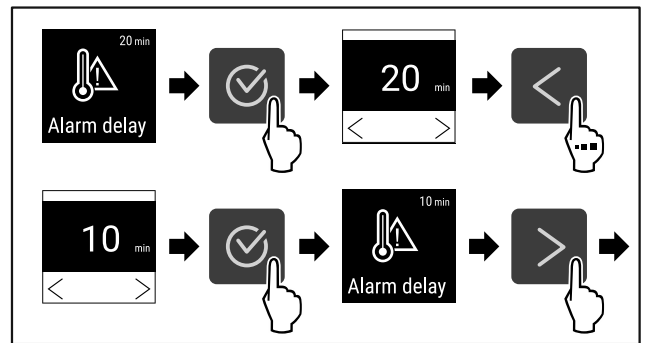


Fig. 164

- ▶ Carry out action steps according to the illustration.
- ▷ Alarm delay time has been set.

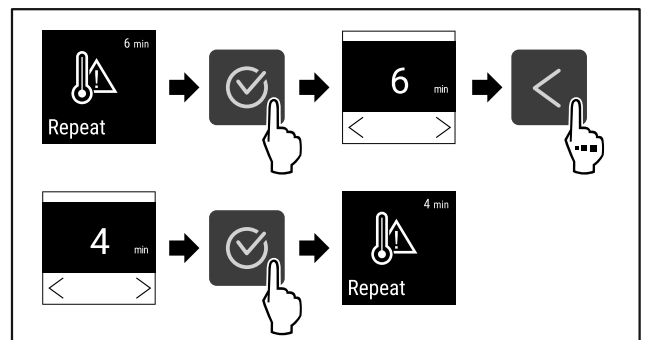




Fig. 165

- ▶ Carry out action steps according to the illustration.
- ▷ Alarm repetition interval has been set.
- ▷ Temperature alarm has been set.

### Displaying set temperature alarm values



Fig. 166

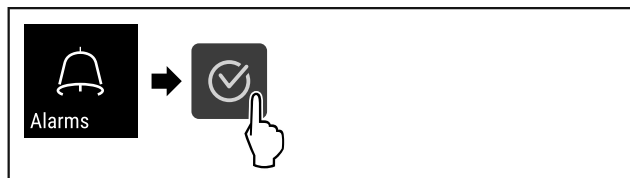


Fig. 167

- ▶ Carry out action steps according to the illustration.

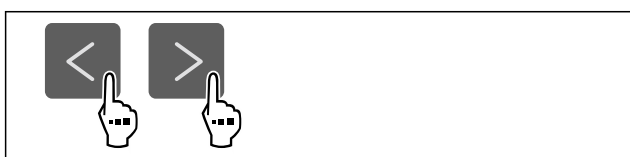


Fig. 168

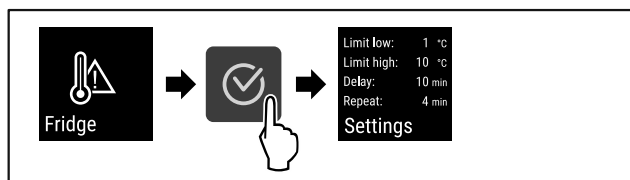


Fig. 169

- ▶ Carry out action steps according to the illustration.
- ▷ Set temperature alarm values are displayed.

## 6.2.22 Door alarm



Use this function to activate or deactivate the door alarm. The door alarm sounds if the door is open for too long. The door alarm is activated on delivery. You can set how long the door may be open before the door alarm sounds.

The following values can be set:

- 15 seconds
- 30 seconds
- 60 seconds
- 90 seconds
- 120 seconds
- 150 seconds
- 180 seconds
- Off

### Setting the door alarm



Fig. 170

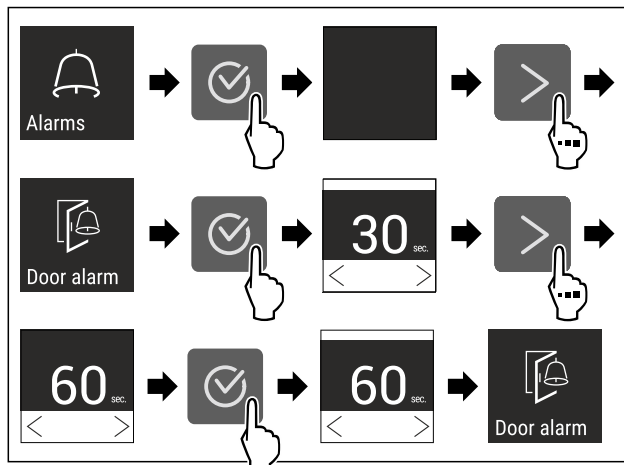


Fig. 172 Example illustration: Switch door alarm from 30 seconds to 60 seconds.

- ▶ Carry out action steps according to the illustration.
- ▷ The door alarm is set.

### Deactivating the door alarm



Fig. 173

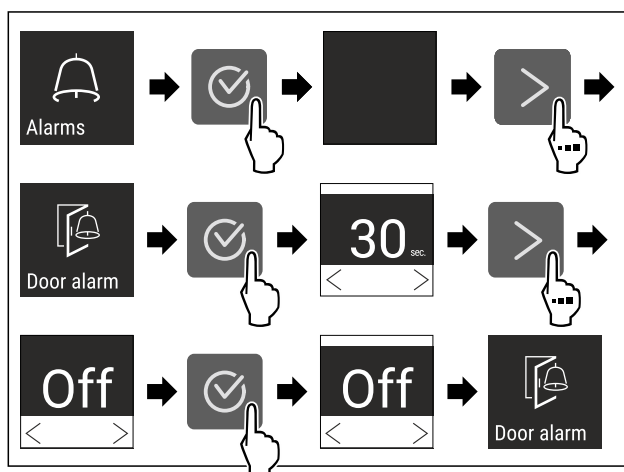


Fig. 174

- ▶ Carry out action steps according to the illustration.
- ▷ The door alarm is deactivated.

## 6.2.23 Light alarm



This setting allows the visual alarm messages in the display to also be emphasised by flashing appliance lighting.

### Activating light alarm

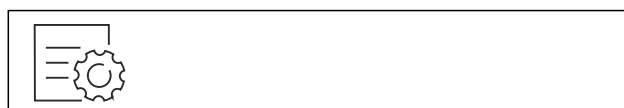
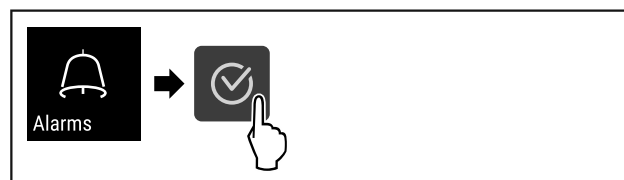


Fig. 175



# Controls

Fig. 176

► Carry out action steps according to the illustration.



Fig. 177

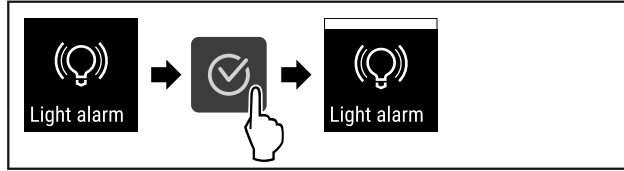


Fig. 178

► Carry out action steps according to the illustration.  
 ▷ The light alarm is activated.

## Deactivating light alarm



Fig. 179



Fig. 180

► Carry out action steps according to the illustration.

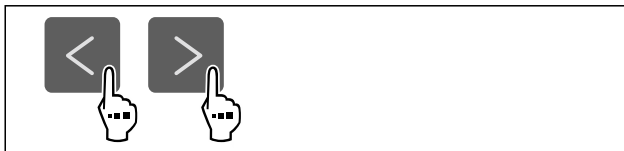


Fig. 181

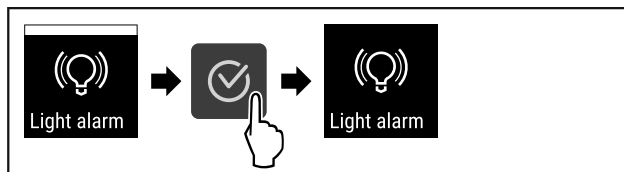


Fig. 182

► Carry out action steps according to the illustration.  
 ▷ The light alarm is activated.

## 6.2.24 Alarm simulation



You can use this function to simulate a temperature alarm in the appliance, e.g. to check whether a safety device triggers correctly. The safety device is connected to the potential-free alarm output. (see 7.3 Interfaces)

### Starting the alarm simulation



Fig. 183

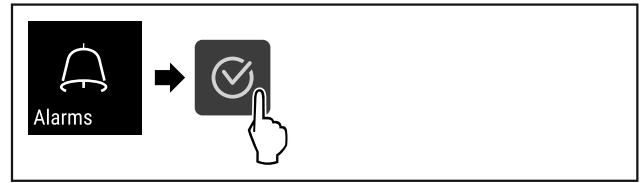


Fig. 184

► Carry out action steps according to the illustration.



Fig. 185

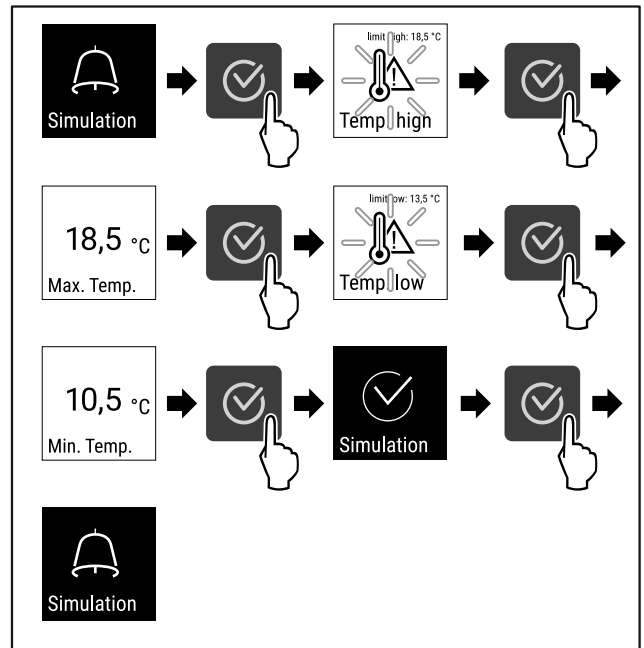


Fig. 186

► Carry out action steps according to the illustration.  
 ▷ The simulation has been performed.  
 ▷ Connected safety devices should have triggered.

## 6.2.25 Alarm forwarding



You can use this function to forward one or several alarms to an external alarm receiver. The alarm receiver is connected to the potential-free alarm output on the appliance. (see 7.3 Interfaces)

You can select the following settings:

- Alarm type:
  - Door alarm
  - Temperature alarm
  - Door alarm and temperature alarm
  - All
- Confirm:
  - **Yes:** The alarm is confirmed on the appliance and the external, connected receiver.
  - **No:** The alarm is confirmed on the appliance and remains active on the receiver until the fault is rectified.
- Refresh (only visible if you select “Yes” when confirming):
  - **Yes:** Alarm repeats.

**Temperature alarm** depending on the set time (see 6.2.21 Temperature alarm )

(If you set the alarm delay time to "0", there is no alarm repetition on the alarm relay.)

**Door alarm** after 1 or 4 minutes\* (see 6.2.22 Door alarm )

- **No:** The alarm is confirmed permanently.

## Activating alarm forwarding



Fig. 187

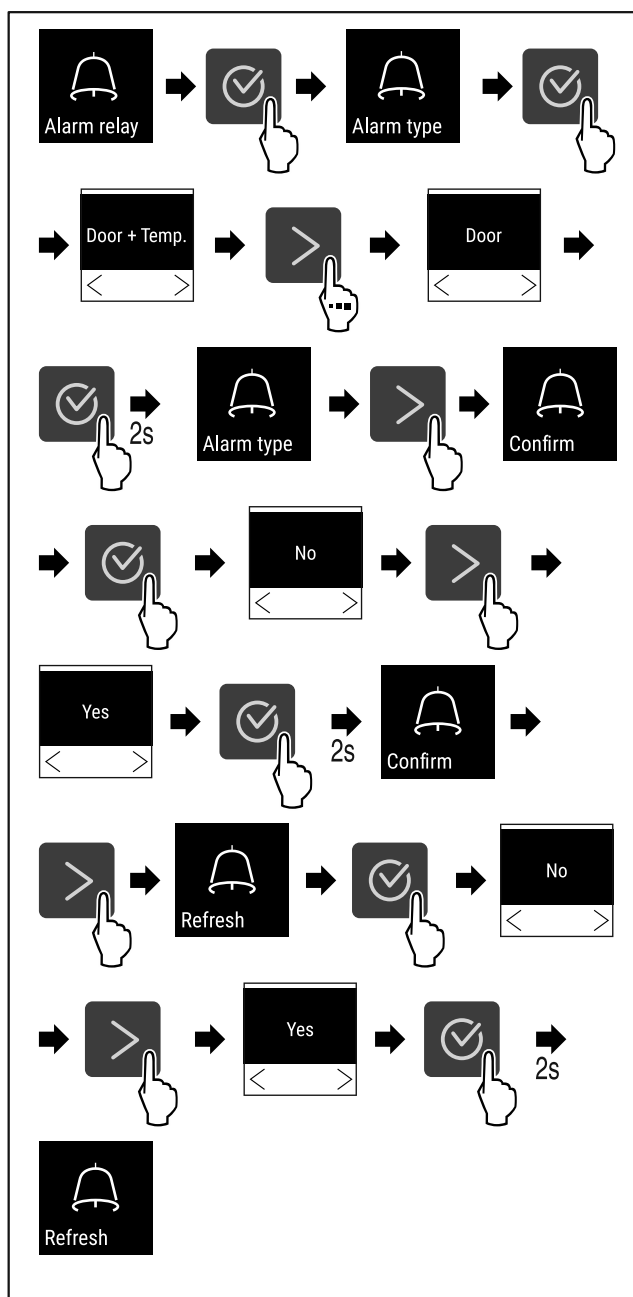


Fig. 188

- ▶ Carry out action steps according to the illustration.
- ▷ Alarm forwarding is set.

## 6.2.26 Demo mode



Demo mode is a special feature for dealers who want to demonstrate appliance features. If you activate demo mode, all refrigeration functions are deactivated.

If you switch on your appliance and a "D" appears on the status display, demo mode is already activated.

If you activate and then deactivate demo mode, the appliance will be reset to factory defaults. (see 6.2.27 Resetting to factory settings )

### Activating demo mode



Fig. 189

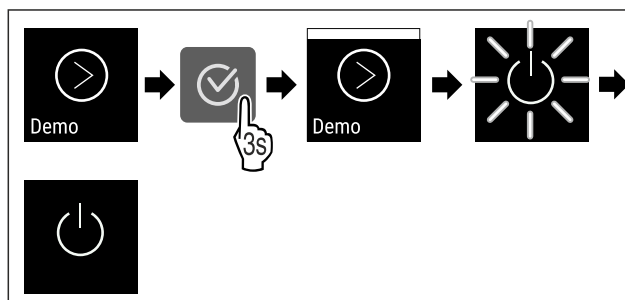


Fig. 190

- ▶ Carry out action steps according to the illustration.
- ▷ Demo mode is activated.
- ▷ Appliance is switched off.
- ▶ Switch on the appliance. (see 4.14 Switching on appliance (first use))
- ▷ "D" appears in the status display.

### Deactivating demo mode



Fig. 191

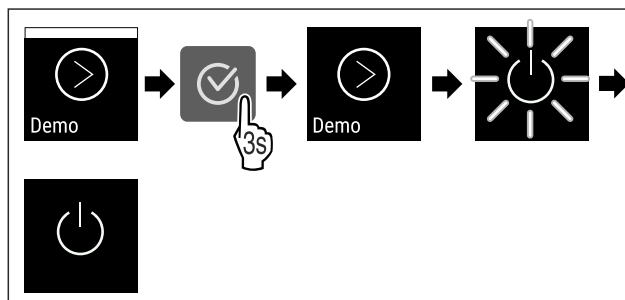


Fig. 192

- ▶ Carry out action steps according to the illustration.
- ▷ Demo mode is deactivated.
- ▷ Appliance is switched off.
- ▶ Switch on the appliance. (see 4.14 Switching on appliance (first use))
- ▷ Appliance is reset to factory settings.

## 6.2.27 Resetting to factory settings



Use this function to reset all settings to factory defaults. All settings you have made so far are reset to their original settings.

### Performing a reset



Fig. 193

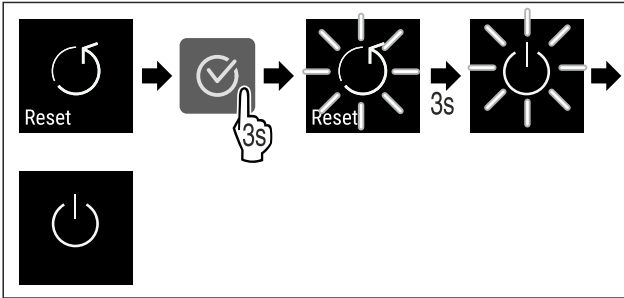


Fig. 194

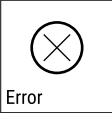

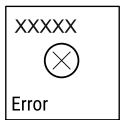

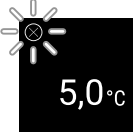



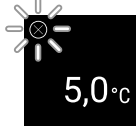







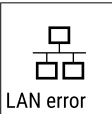

- ▶ Carry out action steps according to the illustration.
- ▷ Device is reset.
- ▷ Device is switched off.
- ▶ Restart the device. (see 4.14 Switching on appliance (first use))

## 6.3 Messages

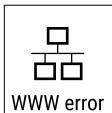

### 6.3.1 Warnings

Warnings are issued by means of an audio signal and visually via a symbol on the display. The signal gets louder until the warning is acknowledged.

Message	Cause	Remedy
 <b>Door open</b>	This message appears if the door is open for too long.	Close the door. Press the confirmation button. Alarm is ended. <b>Note</b> You can set how long it takes for this message to appear (see 6.2.22 Door alarm ).
 <b>Temperature alarm</b>	This message appears if the temperature does not match the set temperature. Reasons for the differences in temperature can be: - Warm items for refrigeration have been placed inside. - Too much warm room air flowed in when rearranging and removing refrigerated products. The power was cut off for a prolonged period.	Press the confirmation button. Warmest temperature is displayed. Press the confirmation button. The current temperature flashes and the display alternates with the temperature alarm symbol until the set temperature is reached. Check the quality of the refrigerated goods. 



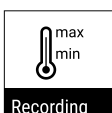

Message	Cause	Remedy
 <p>Error</p> <p><b>Error</b></p>	<p>The appliance is defective, there is an appliance fault or a component of the appliance is faulty.</p>	<p>Transfer refrigerated goods. Press the confirmation button. Error code is displayed.</p>   <p>Press the confirmation button. If present, another error code is indicated.</p> <p><b>or</b></p> <p>Status screen with flashing error symbol is displayed Pressing the navigation buttons indicates error code(s) again. Note the error code(s) and contact customer service.</p>  
	<p>Message indicates that the freezer protection mode is active (e.g. due to frequent door openings or loading with goods).</p>	<p>Press the confirmation button. <b>FRZ.PROT</b> is displayed.</p>   <p>Press the confirmation button. Status screen with flashing error symbol is displayed</p>   <p>Pressing the navigation buttons displays the error code again. The appliance automatically switches to normal operating mode after a few hours and the message disappears. If the message is displayed repeatedly and the causes listed do not apply, contact customer service. (see 9.3 Customer Service)</p>
 <p>Power</p> <p><b>Power failure</b></p>	<p>The message appears after an interruption in the power supply if the temperature is above the alarm limit when the power returns.</p>	<p>Press the confirmation button. The warmest temperature is displayed.</p>  <p>Press the confirmation button. Alarm is cancelled and current temperature is indicated. Check the quality of the refrigerated goods.</p> 
 <p>WiFi error</p> <p><b>WLAN error</b></p>	<p>WLAN connection is interrupted.</p>	<p>Check the connection. Press the confirmation button. Alarm is ended.</p> 
 <p>WWW error</p> <p><b>WLAN WWW error</b></p>	<p>The message appears if there is no Internet connection via WLAN.</p>	<p>Check the connection. Press the confirmation button. Alarm is ended.</p> 
 <p>LAN error</p> <p><b>LAN error</b></p>	<p>LAN connection is interrupted.</p>	<p>Check connection and network cable. Press the confirmation button. Alarm is ended.</p> 

# Features

Message	Cause	Remedy
 <p>LAN WWW error</p>	The message appears if there is no Internet connection via LAN.	Check the connection. Press the confirmation button. Alarm is ended. 

## 6.3.2 Reminder

Reminders appear when you are being asked to do something. They are issued by means of an audio signal and visually via a symbol on the display. Acknowledge the message by pressing the confirmation button.

Message	Cause	Remedy
 <p>Maintenance reminder</p>	The message appears when the timer for the set maintenance interval has expired.	 <p>Press the confirmation button. Alarm is ended.</p> <p><b>Note</b> The maintenance interval can be set (see 6.2.8 Maintenance interval reminder ).</p>
 <p>Recording reminder</p>	This message appears when the temperature recording memory (999 hours) is full.	 <p>Press the confirmation button. Alarm is ended. The oldest data is overwritten.</p> <p><b>Note</b> The temperature recording can be reset (see 6.2.4 Temperature recording ).</p>

## 7 Features

### 7.1 Safety lock

The lock in the appliance door is equipped with a safety mechanism.

#### 7.1.1 Locking appliance

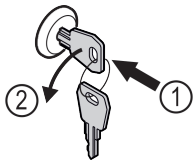


Fig. 195 Example illustration

- ▶ Insert key.
- ▶ Turn key clockwise by 90°.
- ▷ The appliance is locked.

#### 7.1.2 Unlocking appliance

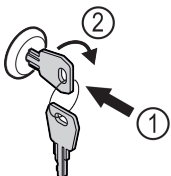


Fig. 196 Example illustration

- ▶ Insert key Fig. 196 (1).
- ▶ Turn key clockwise by 90° Fig. 196 (2).
- ▷ The appliance is unlocked.

### 7.2 Sensors

The appliance can be equipped with the following sensors for temperature monitoring:

- Safety thermostat sensor
- C sensor

#### 7.2.1 Safety thermostat sensor

The safety thermostat sensor monitors the temperature drop and thus protects against excessively low temperatures (Freeze Protect). If the temperature drops below the threshold value, the appliance regulates the temperature automatically. The error message FRZ. PROT (Freeze Protect) (see 6.3 Messages) appears.

##### Note

Do not cover the safety thermostat sensor.

#### 7.2.2 C sensor (control sensor)

The C sensor is permanently installed and regulates the interior temperature of the appliance. You can calibrate the C sensor if necessary. (see 6.2.20 Sensor calibration )

## 7.3 Interfaces

There are various connection options on the back of the appliance.

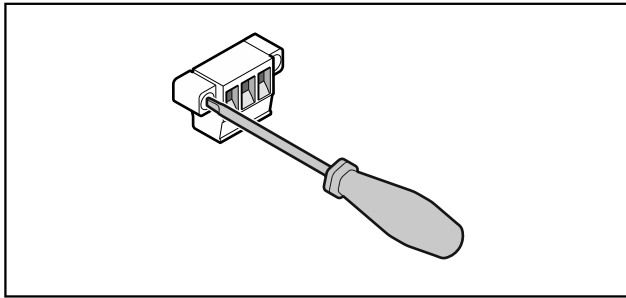


Fig. 197

### Note

Screws secure the plugs. To enable disconnection of the plugs, loosen the screws on the left and right.

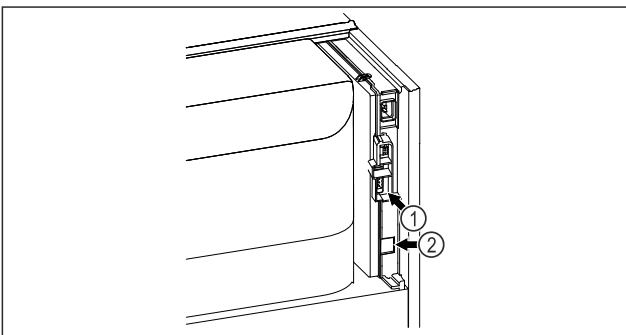


Fig. 198

(1) Potential-free alarm output      (2) LAN interface output

### 7.3.1 Potential-free alarm output



### WARNING

Risk of injury due to electric shock!

- ▶ The appliance may only be connected to an external alarm device by trained specialist personnel.

These three contacts can be used to connect a visual or an acoustic alarm device. The connection is designed for a maximum of **30 V (DC) - 8 A** from a safety low voltage source SELV (**minimum current 150 mA**).

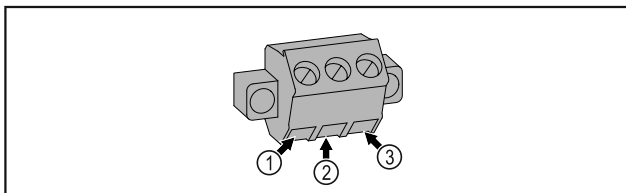


Fig. 199

- (1) NO (normally open)  
Connection for indicator lamp, which is active in normal operation or when the appliance is switched off.
- (2) COM (common)  
External voltage source
- (3) NC (normally closed)  
Connection for alarm lamp or audible alarms, which is active when an alarm is triggered or there is a lack of power supply.

## 8 Maintenance

### 8.1 Maintenance schedule

Maintenance work is to be performed at regular intervals to ensure proper appliance function.



### CAUTION

Danger of injury and damage due to unprofessional maintenance work!

Personal injury and material damage.

- ▶ Maintenance work may only be performed by trained specialist personnel.



### WARNING

Short-circuit hazard due to live parts!

Electric shock or damage to the electronics.

- ▶ **Switch off the appliance.**
- ▶ Pull out mains plug or switch off fuse.

### Note

A maintenance reminder function can be activated. (see 6.2.8 Maintenance interval reminder )

### Note

We recommend creating a maintenance log in which all work (repairs, checks) performed is documented.

### Note

Liebherr recommends yearly maintenance. For an individual offer, please contact Customer Service (see 9.3 Customer Service) .

Component	Activity	Maintenance interval
Sheet metal parts	Check for damage and corrosion. Replace damaged parts: (see 9.3 Customer Service)	Yearly
Door, hinges	Check alignment (see 4.12 Aligning the door) , ease of movement, and tight fit.	Yearly
Lock, door handle *	Check for ease of movement and tight fit.	Yearly

# Maintenance

Component	Activity	Maintenance interval
Door seal	Check for damage, wear, and tight fit. A replacement door seal is available via Customer Service (see 9.3 Customer Service) .	Yearly
Sensor	Calibrate sensor. (see 6.2.20 Sensor calibration )	Yearly
Sensor feedthrough	Check that the sealing compound is intact.	Yearly
Surfaces	Cleaning (see 8.3 Cleaning the appliance)	Recommendation: monthly or as required/specified at installation location
Surfaces	Disinfection Liebherr has tested the following disinfectants: Dismozon pur 1 % Lösung (Bode Chemie), Suma Quicksan (Diversey), Incidin Extra N (Ecolab Healthcare), Acrylan (Antiseptica chem.-pharm. Produkte), Buraton 10 F (Schülke und Mayr), Frankocid N (Franken Chemie), Apesin DSR 50 (Tana), Nüscosept Spray (Dr. Nüsken), Melsept SF (B. Braun Melsungen), Kohrsolin (Bode Chemie), Neoquat S (Dr. Weigert), Incidin Rapid (Ecolab Healthcare), Bacillocid Spezial (Bode Chemie), Neoform K Spray (Dr. Weigert), Apesin Desinf. Spray (Tana), Nüscosept 100 (Dr. Nüsken), Antisept T (Fink Tec), Apesin AP 100 0,50% Lösung (Tana), Perform Pulver 2% Lösung (Schülke und Mayr) Observe the operating instructions of the respective manufacturer. If disinfectants other than those stated are used, test them on a less exposed area first.	Recommendation: monthly or as required/specified at installation location
Installation location, appliance	Decontamination The appliance is suitable for room decontamination with hydrogen peroxide H <sub>2</sub> O <sub>2</sub> . In this context, the values of the following application specifications must not be exceeded: Concentration: maximum 250 ppm. Humidity: maximum 85%. Maximum permissible room temperature as per climate class. (see 1.4 Range of use of appliance)	Recommendation: as required/specified at installation location, maximum 2x per year
Fan air slots	Cleaning	Yearly
Alarm relay		
Mains cable	Check for damage.	Yearly or if there is a change of location
Tilt angle	Check for proper function and tight fit.	Yearly or if there is a change of location
Adjusting feet/castors	Check for proper function, damage, and tight fit. Replace damaged parts. (see 9.3 Customer Service)	Yearly

## 8.2 Defrosting appliance



### WARNING

Improper defrosting of the appliance!  
Injuries and damage.

- ▶ Do not use mechanical equipment or other methods to speed up the defrosting process other than those recommended by the manufacturer.
- ▶ Do not use electrical heating or steam-cleaning appliances, naked flames or defroster sprays to defrost.
- ▶ Do not use sharp objects to remove ice.

Defrosting is performed automatically. The defrost water drains through the opening and evaporates.

To maintain the functionality of the appliance, we recommend defrosting it when there is a high buildup of ice. Icing in the interior is determined by the location (e.g. high humidity), settings on the appliance and incorrect user behaviour.

If the automatic defrosting cycle is insufficient:

- ▶ Start automatic defrosting manually. (see 6.2.19 Defrosting )

If the problem persists, defrost the appliance manually:

- ▶ Switch off appliance. (see 6.2.2 Switching appliance on and off )
- ▶ Pull out mains plug.



- ▶ Store refrigerated items elsewhere.
- ▶ Leave appliance door open during defrosting process.
- ▶ Soak up remaining defrost water with a cloth, clean drain opening and the appliance.

## 8.3 Cleaning the appliance

### 8.3.1 Preparing



#### WARNING

Short-circuit hazard due to live parts!  
Electric shock or damage to the electronics.

- ▶ **Switch off the appliance.**
- ▶ Pull out mains plug or switch off fuse.



#### WARNING

Risk of fire

- ▶ Do not damage the refrigeration circuit.

- ▶ Empty the appliance.
- ▶ Pull out the mains plug.
- ▶ Observe the notes on transporting the appliance. (see 4.3 Transporting appliance)

### 8.3.2 Cleaning housing

#### NOTICE

Improper cleaning!  
Damage to the appliance.

- ▶ Only use soft cleaning cloths and ph-neutral all-purpose cleaners.
- ▶ Do not use abrasive sponges or steel wool which may cause scratches.
- ▶ Do not use any sharp or abrasive cleaning agents, nor any that contain sand, chloride or acid.



#### WARNING

Risk of injury and damage as a result of hot steam!  
Hot steam can lead to burns and can damage the surfaces.

- ▶ Do not use any steam cleaners!

#### NOTICE

Risk of damage due to short circuit.

- ▶ When cleaning the appliance, make sure no water gets into the electrical components.

- ▶ Wipe the housing down with soft, clean cloth. If very dirty, use lukewarm water with a neutral cleaner. Glass surfaces can also be cleaned with glass cleaner.
- ▶ Clean condenser coil each year. If the condenser coil is not cleaned, this significantly reduces the efficiency of the appliance.

### 8.3.3 Cleaning the dust filter

The dust filter is located on the top of the appliance. Clean the dust filter at least twice a year.

- ▶ Remove mains plug.

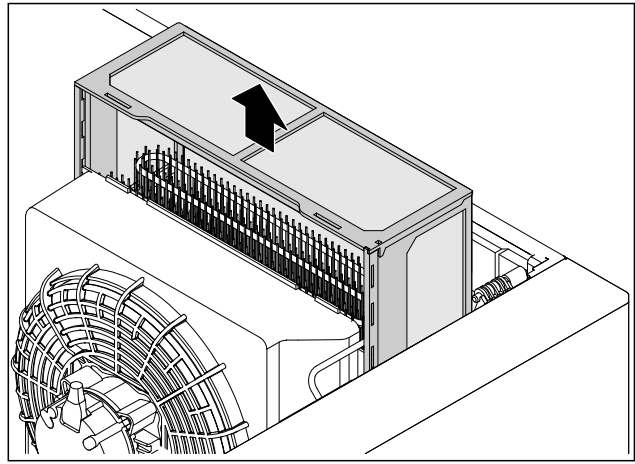


Fig. 200

- ▶ Pull the dust filter out upwards.
- ▶ Clean the dust filter with water and rinsing liquid.
- ▶ Insert the dust filter.

### 8.3.4 Cleaning interior



#### WARNING

Short-circuit hazard due to live parts!  
Electric shock or damage to the electronics.

- ▶ **Switch off the appliance.**
- ▶ Pull out mains plug or switch off fuse.



#### WARNING

Risk of injury and damage as a result of hot steam!  
Hot steam can lead to burns and can damage the surfaces.

- ▶ Do not use any steam cleaners!

#### NOTICE

Improper cleaning!  
Damage to the appliance.

- ▶ Only use soft cleaning cloths and ph-neutral all-purpose cleaners.
- ▶ Do not use abrasive sponges or steel wool which may cause scratches.
- ▶ Do not use any sharp or abrasive cleaning agents, nor any that contain sand, chloride or acid.

#### Note

- ▶ Defrost water drain (see 1.2 Overview of appliances and equipment) : Remove deposits using a thin material (for example a cotton bud).

#### Note

Do not damage or remove the type plate on the inside of the appliance. The type plate is important for Customer Service. (see 9.3 Customer Service)

- ▶ Open the door.
- ▶ Empty the appliance.
- ▶ Clean interior and equipment parts with lukewarm water and a little detergent. Do not use any gritty or acidic cleaning agent or any chemical solvent.

### 8.3.5 After cleaning

- ▶ Wipe appliance and equipment parts dry.
- ▶ Connect and switch on appliance. Once the temperature is sufficiently cold:
- ▶ put in items for refrigeration goods.
- ▶ Repeat cleaning regularly.

# Customer help

- Clean and remove dust from the refrigeration unit with heat exchanger once a year.

## 9 Customer help

### 9.1 Technical specifications

Temperature range	
Cooling	<b>Foamed door:*</b> -2 °C to +16 °C* <b>Glass door:*</b> 0 °C to +16 °C*

Maximum load of grid shelves <sup>A)</sup>	Maximum load of centre grid shelf <sup>A)</sup> (see 4.15 Using equipment)
60 kg	10 kg

A) Heavier loads may result in a slight bending of the shelves.

Net capacity
See net capacity on the type plate. (see 1.2 Overview of appliances and equipment)

Lighting	
Energy efficiency class <sup>A)</sup>	Light source
This product contains one or more energy efficiency class G light sources	LED

A) The appliance may contain light sources with different energy efficiency classes. The lowest energy efficiency class is indicated.

Set-up conditions	
Degrees of pollution (surrounding the appliance)	PD2
Ambient temperature	+10 °C to +35 °C
Maximum relative ambient moisture	75%, not condensing
Maximum operating elevation (metres above sea level)	2000 m 1500 m (glass door)

Electrical values	
Nominal voltage	220-240 V ~
Frequency	50/60 Hz 50 Hz (SRPvg 1402, SRPvg 1412, SRPvg 6501, SRPvg 6511, SRPvg 8401, SRPvg 8411)
Connected load	4,0 A
Maximum mains fluctuation	+/-10%
Overvoltage categories	II

### 9.2 Technical fault

Your appliance is designed and built to ensure it works reliably and has a long service life. In the unlikely event that a fault occurs during operation, please check whether the fault is due to an operating error. If this is the case, you will be charged for the cost incurred even if this falls within the warranty period.

You can fix the following faults yourself.

#### 9.2.1 Appliance function

Defect	Cause	Remedy
<b>The appliance is not working.</b>	→ The appliance is not switched on.	► Switch on the appliance.
	→ The mains plug is not properly plugged into the socket.	► Check the mains plug.
	→ There is something wrong with the fuse in the socket.	► Check fuse.
	→ Power cut	► Keep the appliance closed. ► If necessary move the refrigerated/frozen items to another fridge or freezer if the power is off for a prolonged period.
	→ The IEC socket is not plugged into the appliance correctly.	► Check the IEC socket.
<b>Temperature is not cold enough.</b>	→ The appliance door is not closed properly.	► Close appliance door.
	→ Ventilation is not sufficient.	► Clear ventilation grille and clean it.
	→ The ambient temperature is too high.	► Ensure the correct ambient conditions: (see 1.4 Range of use of appliance)
	→ The appliance was opened too many times or for too long.	► Wait to see if the appliance goes back to the required temperature by itself. If not, contact Customer Service. (see 9.3 Customer Service)
	→ The temperature is set incorrectly.	► Set a colder temperature and check after 24 hours.
	→ The appliance is too close to a heat source (oven, radiator, etc).	► Change where the appliance or the heat source are located.

## 9.3 Customer Service

First check whether you can remedy the fault yourself. If this is not the case, please contact Customer Service.

You can find the address in the enclosed brochure "Liebherr-Service" or at [home.liebherr.com/service](http://home.liebherr.com/service).



### WARNING

Unprofessional repair!  
Injuries.

- ▶ Have any repairs and action - not expressly specified - on the appliance and mains cable carried out by service personnel only. (see 8 Maintenance)
- ▶ A damaged mains cable may only be replaced by the manufacturer, the manufacturer's Customer Service or a similarly qualified person.
- ▶ In the case of appliances with an IEC connector, the change may be made by the customer.

### 9.3.1 Contacting Customer Service

Make sure you have the following appliance data at the ready:

- Appliance name (model and index)
- Service no. (Service)
- Serial no. (S no.)
- ▶ Access the appliance information via the display (see 6.2.16 Device information ).
- or-
- ▶ Refer to the type plate for appliance information. (see 9.4 Type plate)
- ▶ Note down appliance information.
- ▶ Inform Customer Service: Report faults and the appliance information.
- ▷ This will help us to provide a fast and focussed service.
- ▶ Follow any further instructions provided by Customer Service.

## 9.4 Type plate

The type plate is inside the appliance. See appliance overview.

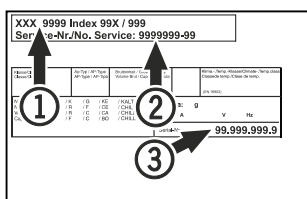


Fig. 201

- (1) Appliance designation
- (2) Service No.
- (3) Serial No.

## 10 Shutting down

- ▶ Empty the appliance.
- ▶ Switch off the appliance.
- ▶ Pull the mains plug out of the socket.
- ▶ Remove the IEC socket if required: Pull the IEC socket out of the appliance plug and move it to the left and right at the same time.
- ▶ Clean appliance (see 8.3 Cleaning the appliance) .
- ▶ If present: Remove the covers and insulation from the sensor feed-through to prevent mould forming.
- ▶ Leave the door open so that no bad odours form.

### Note

Damage to the appliance and malfunctions!

- ▶ After shutting down, only store the appliance at the permitted room temperature of between -10 °C and +50 °C.

## 11 Disposal

### 11.1 Preparing appliance for disposal



Liebherr uses batteries in some of its appliances. In the EU, for environmental reasons, legislation obliges the end user to remove these batteries before disposing of old appliances. If your appliance contains batteries, a corresponding notice is attached.

**Lamps** If you can remove the lamps yourself without destroying them, also remove these before disposal.

- ▶ Take the appliance out of operation.
- ▶ If possible: remove lamps without destroying them.

### 11.2 Disposing of the appliance in an environmentally friendly manner



The appliance still contains valuable materials and must be disposed of separately from unsorted municipal waste.



Dispose of batteries separately from the old appliance. To do this, you can return the batteries free of charge to retailers as well as recycling centres and collection centres for recyclable materials.

**Lamps**

Dispose of removed lamps via the respective collection systems.

For Germany:

You can dispose of the appliance free of charge via the class 1 collection containers at the local recycling and recyclable material collection centres. When purchasing a new fridge/freezer, if the sales area > 400 m<sup>2</sup>, retailers will also take back the old appliance free of charge.



### WARNING

Leaking coolant and oil!

Fire. The coolant contained in the appliance is eco-friendly, but also flammable. The oil contained in the appliance is flammable. Escaping coolant and oil can ignite if the concentration is high enough and in contact with an external heat source.

- ▶ Do not damage the pipelines of the coolant circuit and the compressor.
- ▶ Observe the notes on transporting the appliance. (see 4.3 Transporting appliance)
- ▶ Transport the appliance without damaging it.

## Additional information

---

- ▶ Dispose of batteries, lamps and the appliance according to the above specifications.

## 12 Additional information

Further information on warranty conditions can be found in the enclosed service brochure or on the Internet at <https://home.liebherr.com>.



Pass on this info in the event of a device fault:

Model identifier /  
Inventory number:

## Quick Start Guide for everyday use

### Information about using this Quick Start Guide:

- This Quick Start Guide is not a substitute for the full operating instructions nor is it a substitute for appliance training.
- This Quick Start Guide provides support for everyday use and handling the appliance.
- Read the full operating instructions and the safety notes contained therein.

This quick start guide is for: SRPvg 14../65../84..



Scanning the QR code will open the full operating instructions:



### Intended use

This laboratory refrigerator is suitable for the professional storage of products at temperatures between:

- **Foamed door:** -2 °C and 16 °C.\*
- **Glass door:** 0 °C and 16 °C.\*

### Foreseeable incorrect use

Do not use the appliance for the following applications:

- Storage and refrigeration of:
  - Chemically unstable, flammable or corrosive substances
  - Blood, plasma or other body fluids for the purpose of infusion, application or introduction in the human body
- Use in potentially explosive atmospheres
- Use outdoors or in areas exposed to dampness and splashing water

### When stocking, observe the following points:

- Position grid shelves according to the height required.
- Observe maximum load.
- When the storage temperature has been reached, load the appliance (compliance with cold chain).
- Produce for cooling must not come into contact with the evaporator on the rear wall.
- Keep liquids in closed containers.
- Leave space when storing refrigerated goods to ensure good air circulation.

## Status display



Fig. 202 Status display with actual temperature

## Displaying temperature recording

The temperature recording displays the length of the recording and the minimum and maximum temperatures measured during this period of time.

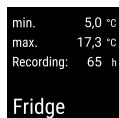


Fig. 203

## Resetting temperature recording

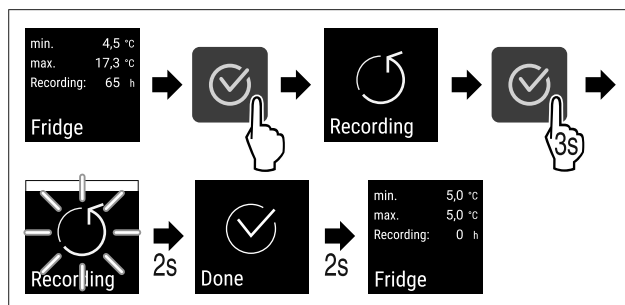


Fig. 204

## Unlocking appliance

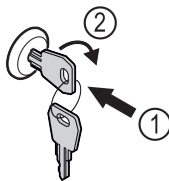


Fig. 205

- ▶ Insert the key. Fig. 205 (1)
- ▶ Turn the key clockwise by 90°. Fig. 205 (2)
- ▷ The appliance is unlocked.

## Locking appliance

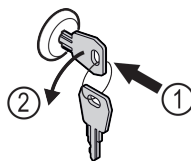


Fig. 206

- ▶ Insert the key. Fig. 206 (1)
- ▶ Turn the key anticlockwise by 90°. Fig. 206 (2)
- ▷ The appliance is locked.

## Cleaning appliance

- ▶ Empty the appliance.
- ▶ Pull out the mains plug.
- ▶ Observe the information in the operating instructions.
- ▶ Dry the appliance and equipment thoroughly after cleaning.
- ▶ Connect the appliance.
- ▶ Switch on the appliance.
- ▶ Load the appliance once the storage temperature is reached.



## What should I do if there is a fault?

A message appears in the display if there is a fault. Messages have different meanings:

Symbol colour in the display	Meaning	Remedy
<b>WHITE with black bar</b>	<b>Reminder</b> Reminder of general procedures. You can carry out these procedures to eliminate the message.	Consult the operating instructions and perform the troubleshooting steps.
<b>WHITE</b>	<b>Warning</b> Appears when there are malfunctions. You can eliminate simple malfunctions yourself.	Consult the operating instructions and perform the troubleshooting steps.

If you cannot remedy the fault yourself, contact a competent member of staff or your nearest customer service outlet.



[home.liebherr.com/fridge-manuals](https://home.liebherr.com/fridge-manuals)

**EN** Refrigerator  
ORIGINAL OPERATOR'S MANUAL

Issue date: 20250205

**Part number index: 7083322-00**

Liebherr Hausgeräte Lienz GmbH  
Dr.-Hans-Liebherr-Strasse 1  
A-9900 Lienz  
Österreich

