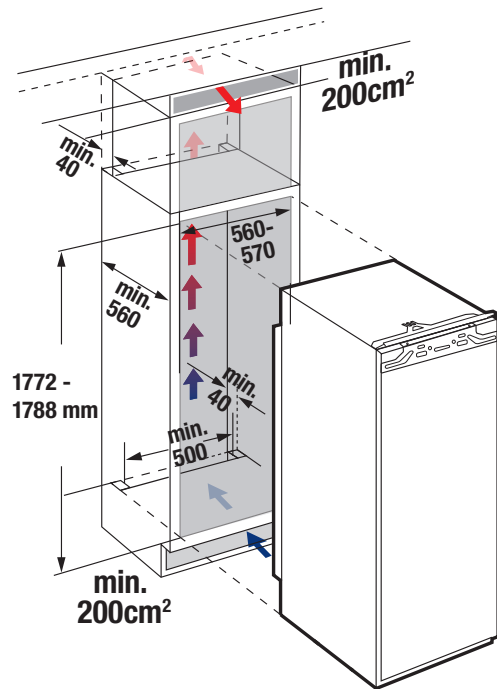
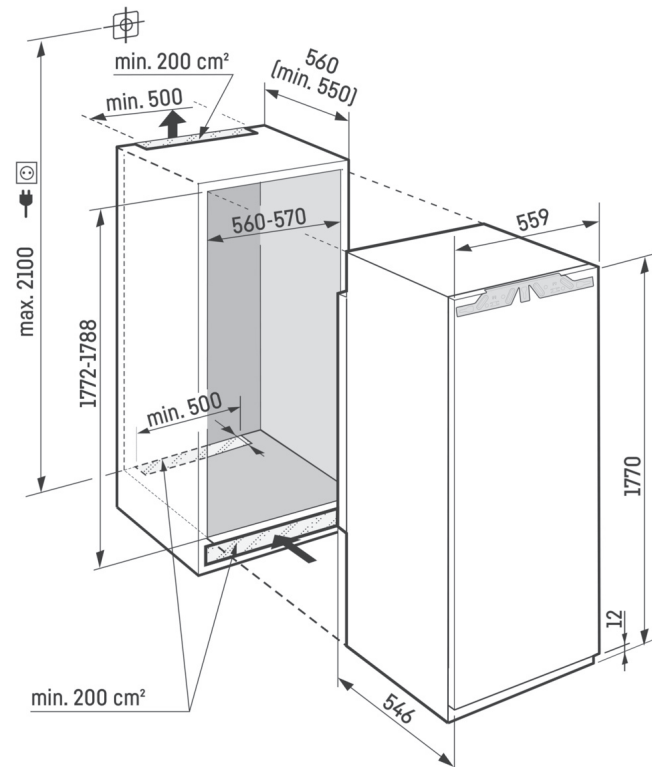


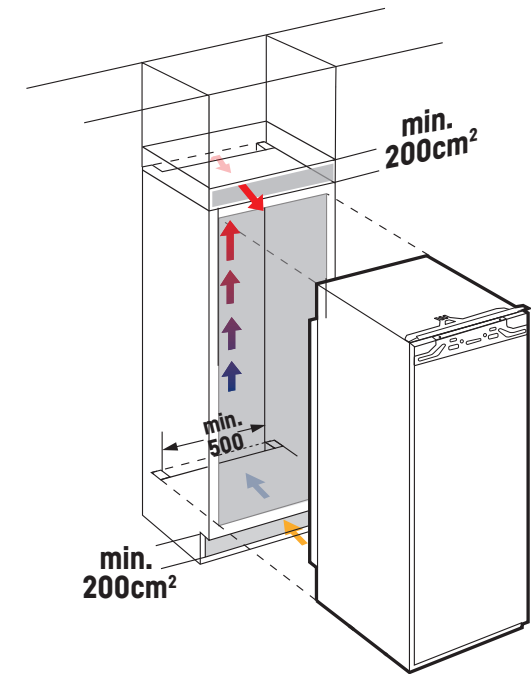
VENTING ABOVE CUPBOARD



VENTING INTO CEILING SPACE*



VENTING AT TOP OF UNIT



Figures 1, 2 and 3 represent the alternate ways that Liebherr integrated appliances can be installed to ensure correct ventilation requirements are achieved.

Arrows denote airflow from ventilation entry to exit point. The ventilation options are applicable to the following models: SIGN 3576, SIKB 3550, EWTdf 3553, EWTgb 3583, IRBPh 5170, IRBh 5170, SIFNh 5188, ICNh 5123, ICNh 5133, ICNh 5173, ICBNh 5173 and Project Only Models SIKB 3520, SIGN 3524, ICNh 5103, IRBh 5120 & SIFNh 5128.

*Ceiling spaces and bulkheads must be well ventilated.