

For All Who Appreciate  
Good Taste

Quality, Design and Innovation



UWTes 1672

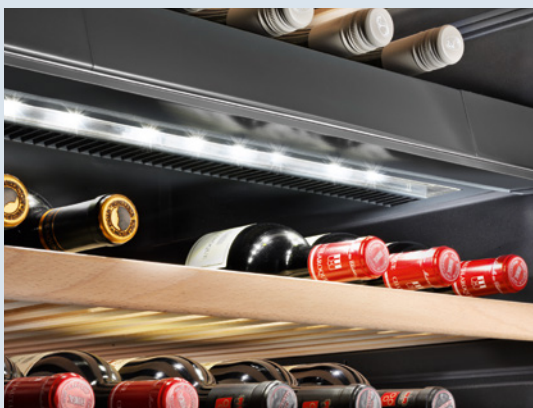
**LIEBHERR**



**Electronic LCD Display:** Intuitive navigation of the buttons-controlled control system enables tailored storage options. The digital temperature display can be viewed via the UV tinted glass door.



**Tinted glazed door:** The tinted glass door provides not only a perfect UV protection, but also an optimum glance at wine.



**LED lighting:** The light in the cooling compartments can be dimmed to give a pleasing ambient light inside the appliance.

For wine collectors, temperature, humidity, vibration, and light are the most important elements of wine storage. As a dual-temperature zone wine cabinet, the **UWTes 1672** clearly addresses all four areas and is perfect for all reds, whites, and champagne.

This appliance ventilates through the toe kick, hence no counterslot is necessary, and can be integrated easily and elegantly into your customised kitchen. It also boasts a digital temperature display with visibility through elegant glass doors. An activated charcoal filter<sup>1</sup> protects stored wines against odour; best changed once every 12 months.

**UWTes 1672**

Vinidor

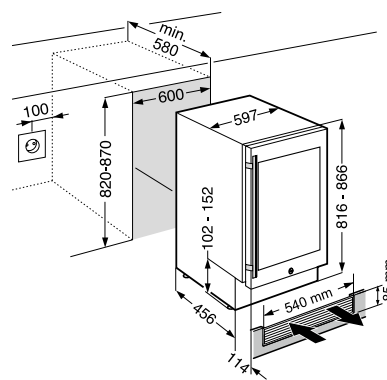
LED

Wine

Telescopic Rails

Sound rating dB(A) *	38
Total capacity litre	94
Max No. of Bordeaux bottles (0.75l) **	34
Number of shelves	5
Shelves on telescopic rails	3
Shelf material	Beech wood shelves
Presentation shelf	0
Electronic control	LCD display, buttons
Temperature range °C	+5°C to +20°C
Temperature zones	2
Temperature alarm	Visual and audible
Interior light	LED
Door alarm	Audible
Safety thermostat	Yes
Activated charcoal filter	Yes
Door type	Glazed door with stainless steel frame
Integrated lock	Yes
SoftSystem	No
Door hinges	Right, reversible
Product dimensions (H/W/D) cm	81.8 / 59.7 / 57.7
Cut out dimensions (H/W/D) cm	82 - 87 / 60 / min. 58
Gross / Net weight kg	57 / 49
Voltage V/Hz	220-240 / 50

**Installation Diagram**



Activated charcoal filter  
Part No.: 988128900

\* Noise output - according to EN 60704-3

\*\* These models are only bound for storing wine. Max. DIN norm bordeaux bottle capacity (0.75 l) as per norm NF H 35-124 (H:300.5 mm, Ø 76.1mm)

<sup>1</sup> Available accessory: Activated Charcoal Filter (Part no. 988128900)

*Note: Whilst every effort is made to ensure all specifications and information in this flyer are accurate, Liebherr reserves the right to make changes without notification. Where actual appliance measurements, specifications, and ratings are crucial, we recommend that the actual appliance installation instructions that accompany each appliance be checked. Liebherr will not be liable for any loss.*