

EN

---

# LR 1200.1

---

LR 1004.03.08  
[www.liebherr.com](http://www.liebherr.com)

## LIEBHERR

Crawler cranes

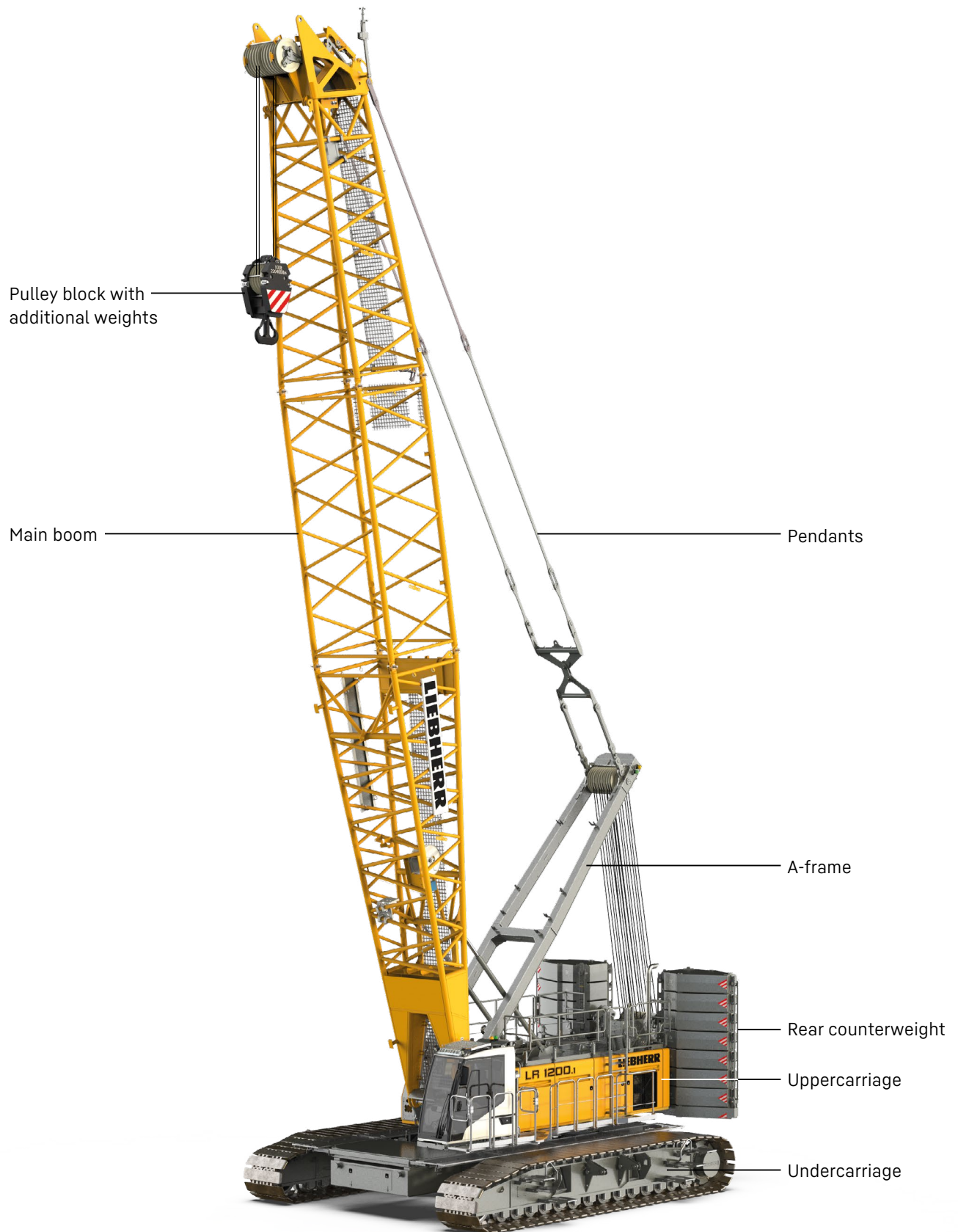


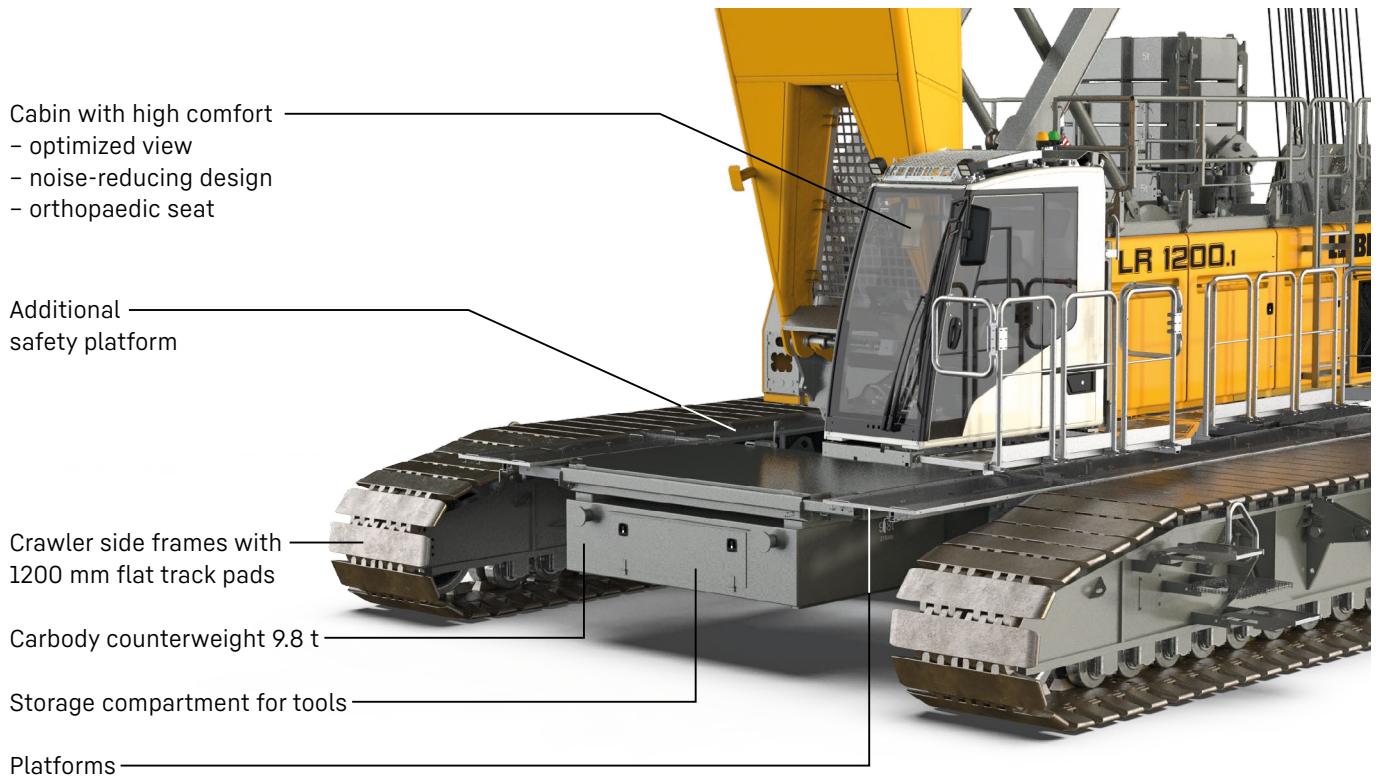
<b>Concept and characteristics</b> .....	3
<b>Technical description</b> .....	6
<b>Dimensions</b> .....	8
<b>Transport dimensions and weights</b> .....	9
<b>Self-assembly system</b> .....	14
<b>Boom combinations</b> .....	16
<b>Main boom 2320.xx</b> .....	18
<b>Luffing jib 1713.xx</b> .....	20
<b>Luffing jib 1916.xx</b> .....	26
<b>Fixed jib 1008.xx</b> .....	32
<b>Fixed jib 0806.xx</b> .....	35
<b>Fixed jib 0906.21</b> .....	38

## Remarks

- The load capacities stated are valid for lifting operation only (corresponding with crane classification according to ISO 4301-1, crane group A1).
- Machine is standing on firm, horizontal ground.
- The weight of the lifting device (pulley block, hoist ropes, shackles, etc.) must be deducted from the load capacity.
- Additional equipment on boom (e.g. walkways) must be deducted from the load capacity.
- The max. admissible wind speed can be preselected in the LML software and referred to in the load chart.
- Working radii are measured from centre of swing ring and under load.
- The lifting capacities are valid for 360 degrees of swing.
- Calculation of stability under load is based on ISO 4305 Table 1+2+3, tipping angle 4°.
- The steel structures are calculated according to EN 13001-1; EN 13001-2.
- The last digits of the given dimensions are rounded to 0 and 5 and may differ from the actual dimensions.
- Weights may vary depending on the delivered configuration of the machine, filling level of the tanks, as well as generally valid tolerances.
- The illustrations in this brochure may include options which are not within the standard scope of supply of the machine.

# Concept and characteristics





**High performance**

A strong, efficient and reliable diesel engine of the newest generation provides high performance and enables several movements to be carried out simultaneously.

**Ground pressure**

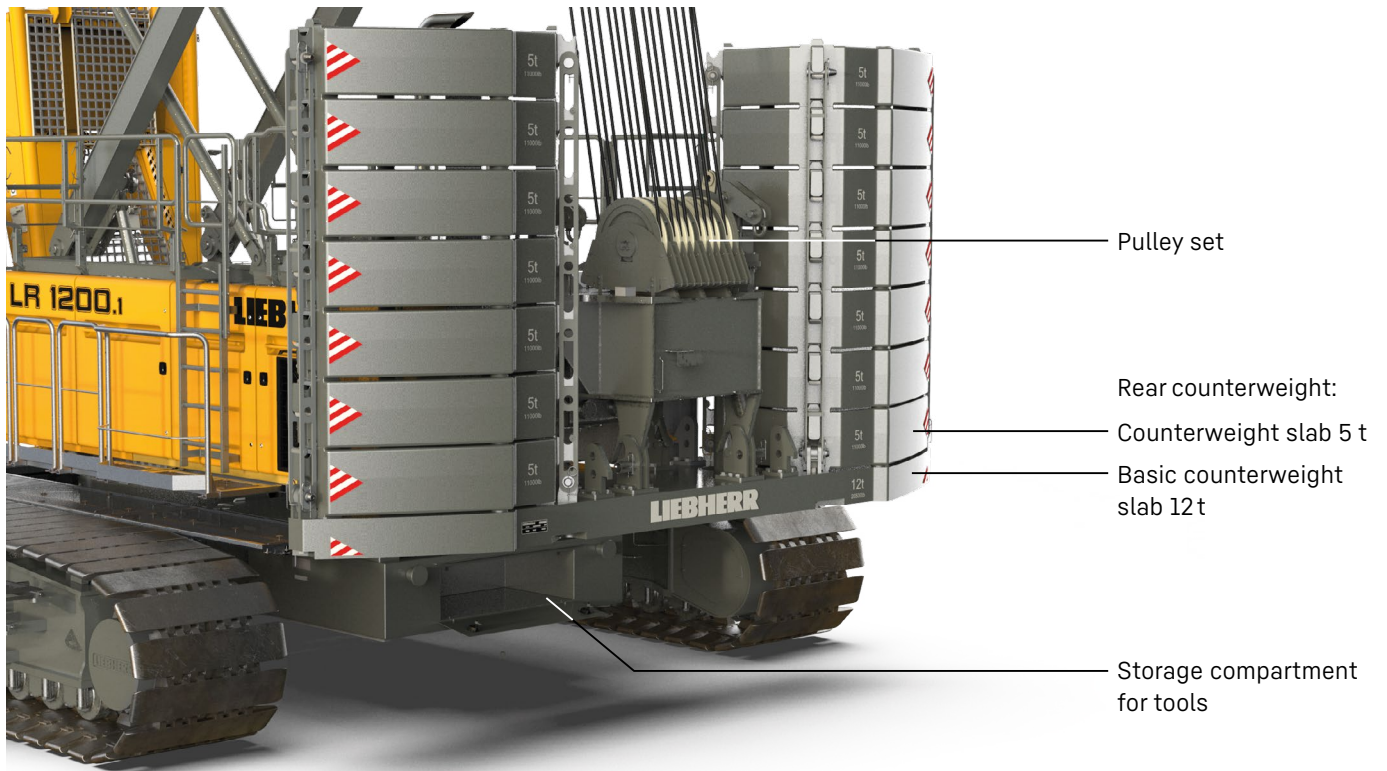
The actual ground pressure is calculated according to the configuration and position of the machine and displayed in the operator's cabin. Using the optional Liebherr Crane Planner the actual ground pressure can already be calculated and displayed in the planning stage.

**Cabin with high comfort**

Optimised field of vision combined with enhanced comfort: an orthopaedic operator's seat with heating and cooling functions, as well as precise and ergonomic controls are included.

**Control system**

Easy and intuitive handling of control, service and machine functions through a large, clear colour monitor. Built for extreme environmental conditions.



**Efficient self-assembly system and short assembly times**

The self-assembly system enables safe, independent and quick assembly/disassembly of the crawler side frames, the carbody and rear counterweights, as well as boom elements.

**Mobility**

Crane parts are optimized for transportation. The maximum transport width is 3 m.

**Easy service**

The design ensures easy maintenance and service as well as safe access to the components.

**Boom/jib**

A variety of boom systems and configurations allow for optimum operation on the most diverse jobsites.

# Technical description



## Diesel engine

<b>Power rating according to ISO 9249</b>	230 kW (308 hp) at 1700 rpm
<b>Engine type</b>	Liebherr D 944 A7-05
<b>Fuel tank capacity</b>	790 l with continuous level indicator and reserve warning
<b>Exhaust certification</b>	97/68 EC Stage IV; EPA/CARB Tier 4f 97/68 EC Stage V; EPA/CARB Tier 4f ECE-R.96 Power Band H non-certified emission standard



## Noise measurement data and vibration

<b>Noise emission</b>	according to 2000/14/EC directive
Emission sound pressure level $L_{PA}$	74.0 dB(A) (in the cabin)
Guaranteed sound power level $L_{WA}$	105 dB(A) (of the machine)
<b>Vibration transmitted to the machine operator</b>	< 2.5 m/s <sup>2</sup> (to the hand-arm system) < 0.5 m/s <sup>2</sup> (to the whole body)



## Hydraulic system

<b>Hydraulic pumps</b>	double axial displacement pump in open loop hydraulic system allows all functions to be operated simultaneously automatic working pressure cut-off to minimize peak pressure
<b>Hydraulic oil tank capacity</b>	650 l
<b>Max. working pressure</b>	350 bar
<b>Hydraulic oil</b>	electronic monitoring of alle filters use of synthetic environmentally friendly oil



## Control

<b>Control system</b>	includes all control and monitoring functions, designed to withstand extreme environmental conditions and heavy construction tasks
<b>Display</b>	high resolution monitor in the operator's cabin, clear display of complete machine operating data, warnings and failure indications in the required language
<b>Operation</b>	several movements can be performed simultaneously thanks to electro-hydraulic proportional control, all categories of loads can be positioned with utmost precision



## Crawlers

<b>Drive system</b>	with fixed axial piston hydraulic motors
<b>Crawler side frames</b>	maintenance-free, with hydraulic chain tensioning device
<b>Brake</b>	hydraulically released, spring-loaded multi-disc holding brake
<b>Drive speed</b>	0-1.6 km/h
<b>Flat track pads</b>	width 1200 mm



## Swing gear

<b>Drive system</b>	with fixed axial piston hydraulic motors, planetary gearbox, pinion
<b>Swing ring</b>	roller bearing with external teeth
<b>Brake</b>	hydraulically released, spring-loaded multi-disc holding brake
<b>Swing speed</b>	0-3 rpm continuously variable
<b>Speed control</b>	both swing modes are possible - speed control or free swing for speed control: a multi-disc holding brake locks automatically at zero swing motion.



## Hoisting gear

<b>Standard crane winches 1+2</b>	Internal low-maintenance planetary gearbox in oil bath, load support by the hydraulic system, spring-loaded, multi-disc holding brake, pressure controlled, variable flow hydraulic motors for the main winches, full utilisation of engine power as the winch speed is automatically adjusted to suit the respective line pull
Line pull in the 7 <sup>th</sup> layer	120 kN
Rope diameter	26 mm
Drum diameter	580 mm
Rope speed	0-136 m/min
Rope capacity in 7 layers	489 m
<b>Option - winch with free fall</b>	Free fall: clutch and braking functions are provided by the service brake (low wear and maintenance-free multi-disc brake in compact design)



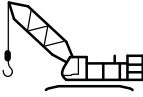




## Boom/jib luffing winches

<b>Main boom</b>	
Line pull	max. 180 kN
Rope diameter	24 mm
Boom luffing	15-86° in 130 s
<b>Jib</b>	
Line pull	max. 105 kN
Rope diameter	20 mm
Jib luffing	15-78° in 51 s

## Operating weight

<b>Composition of operating weight</b>	basic machine with crawlers winches 1+2 (incl. ropes), A-frame 20 m main boom, consisting of boom foot (10 m), boom head (7 m) and boom section (3 m) 82.3t rear counterweight (14×5t + 1×12t + 0.3t) 36t carbody counterweight (2×9.8t + 2×8.3t) 250t pulley block
<b>Total weight</b>	approx. 210t

## Operation modes

	 Lifting mode	 Grab mode	 Personnel lifting mode
 Land	✓	✓	✓
 Floating structure (barge operation)	✓	✓	✓*

\* only valid for jack-up barges

## Optional equipment

### Basic machine

Main winches 12 t with free fall  
Painting in customer design  
Load hook 12.5 / 40 / 80 / 100 / 160 / 250 t

### Economy and ecology

Eco-Silent Package  
Aux. power unit (APU, 2.8 kW)

### Boom/jib

Luffing jib: luffing winch  
Carbon fibre pendants

### Boom/jib other

Walkway for main boom foot, incl. fall protection  
Walkway for main boom head, incl. fall protection  
Rope guide for main boom walkway, incl. fall protection  
Additional fall protection harness for 1 person  
Walkways for main boom sections 3/6 / 12 m  
Walkways for main boom sections 3/6 / 12 m, incl. fall protection

### Application packages

Operation mode: personnel lifting (O)  
Operation mode: barge operation (O)  
Operation mode: foundation work (O)  
Operation mode: wind speed pre-selection (S)  
Operation mode: travelling with load (S)

Winch synchronization

Radio remote control

Rope reeving function via radio remote control

Assembly radio remote control

Use of luffing jib winch as auxiliary winch

Tagline winch 2 t free fall

Main winch constant tension for one winch

Two hook operation

Cabin elevator 6 m hydraulic

### Special features

Crane Planner 2.0

LiDAT

### Self-assembly system

Jack-up system standard / telescopic  
Self-assembly system counterweight  
Self-assembly cylinder  
Reeving winch  
Track shifting hydraulic

### Service package

Refuelling pump diesel / AdBlue  
Cold package -25°C / -40°C  
Hydraulic oil bypass filter  
Central lubrication swing ring bearings / outside  
Liebherr hydraulic oil plus (longlife & bio)  
Liebherr hydraulic oil plus arctic (longlife & bio)  
Liebherr hydraulic oil plus arctic (longlife)

### Safety features

Assistance system: Boom Up-and-Down Assistant  
Assistance system: Horizontal Load Path  
Assistance system: Vertical Line Finder  
Assistance system: Ground Pressure Indication and Visualization  
Rear and side view cameras  
Winch camera  
Zoom camera at boom head  
Safety upgrade APAVE  
Platforms and railings on uppercarriage 570 mm  
Additional access ladder for boom assembly  
Railings on rooftop foldable  
Railings for cabin platform  
Vandalism cabin protection  
Cabin protection roof, FOPS level 1  
Lifting height indication for both hoist winches  
Plug&Play diesel-hydraulic back-up unit 18.4 kW  
Swing and boom radius limit device  
Aircraft warning light  
Swing warning light  
Lightning rod  
Mechanical angle display  
Air intake shut-off valve  
Access control

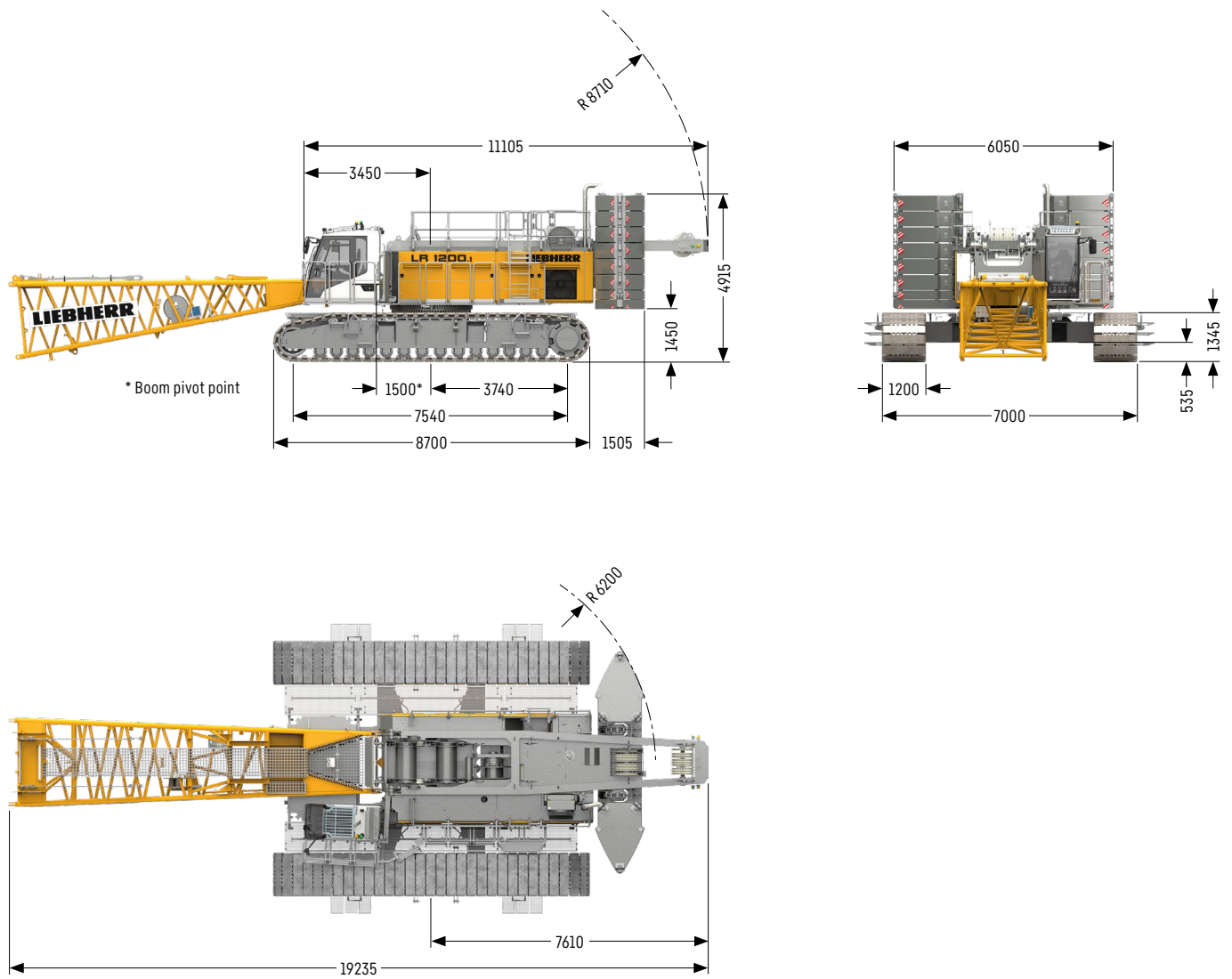
### Operator's comfort

Additional access ladder  
Additional floodlights  
Cabin air conditioner  
Cabin tilting device hydraulic  
Gear oil level warning  
Litronic additional language

(S) standard, (O) option

# Dimensions

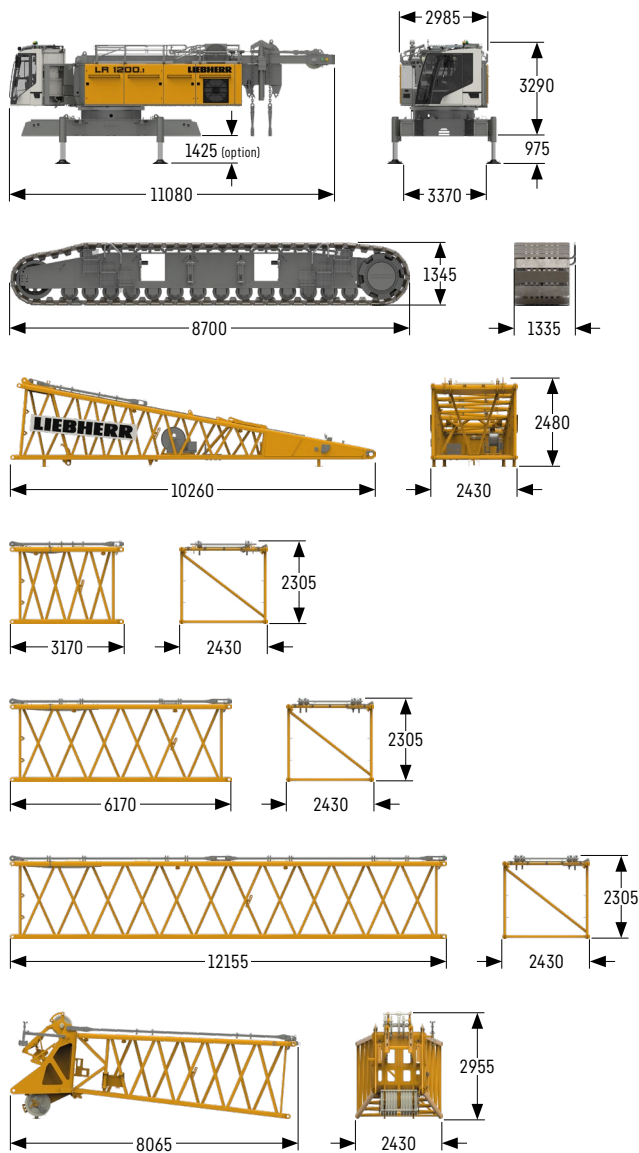
## Basic machine with undercarriage





# Transport dimensions and weights

## Basic machine and main boom 2320.xx



### Basic machine

Weight without hoist rope	kg	37228
Weight of hoist ropes	kg/m	3.4
with A-frame 1, winches 1+2 (2x 120 kN), without boom foot, without rear counterweight, without carbody counterweight and crawler side frames		

### Crawler side frame

Weight flat track pads 1200 mm	kg	19658
--------------------------------	----	-------

### Boom foot 10 m (No. 2320.25)

Weight including winch	kg	4827
Weight without winch	kg	3737

### Boom section 3 m (No. 2320.23)

Weight including boom pendants	kg	871
Weight including boom and jib pendants	kg	959

### Boom section 6 m (No. 2320.20)

Weight including boom pendants	kg	1180
Weight including boom and jib pendants	kg	1333

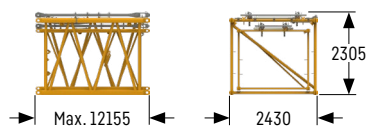
### Boom section 12 m (No. 2320.20)

Weight including boom pendants	kg	2109
Weight including boom and jib pendants	kg	2412

### Boom section 7m (No. 2320.23)

Weight including boom pendants	kg	3613
--------------------------------	----	------

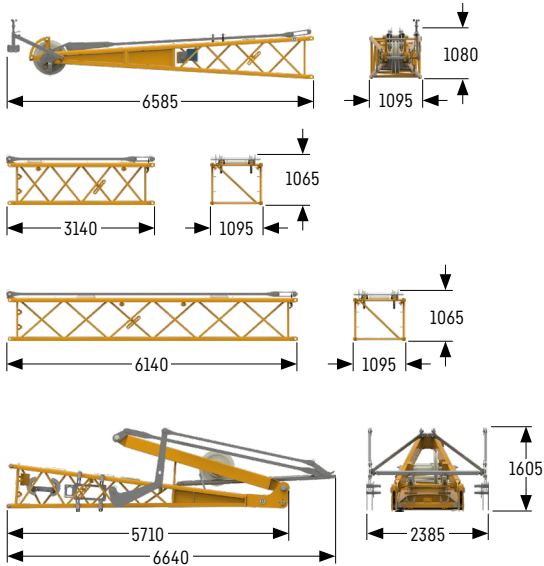
## Transport option 2320.xx / 1916.xx



### Transport option (No. 2320.xx / 1916.xx)

No. 2320.xx / 1916.xx	m	3 / 3	6 / 6	12 / 12
Weight including pendants	kg	1453	2064	3699

## Fixed jib 1008.xx



### Jib head 5.5 m (No. 1008.20)

Weight including pendants kg 873

### Jib section 3 m (No. 1008.17)

Weight including pendants kg 267

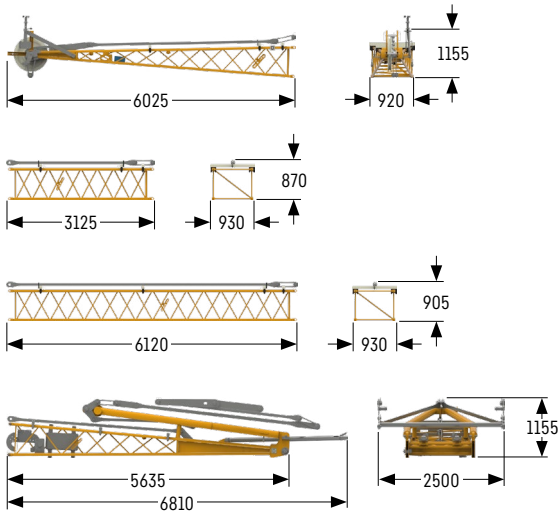
### Jib section 6 m (No. 1008.17)

Weight including pendants kg 448

### Jib foot 5.5 m with A-frame (No. 1008.20)

Weight including pendants kg 2110

## Fixed jib 0806.xx



### Jib head 5.5 m (No. 0806.16)

Weight including pendants kg 442

### Jib section 3 m (No. 0806.15)

Weight including pendants kg 141

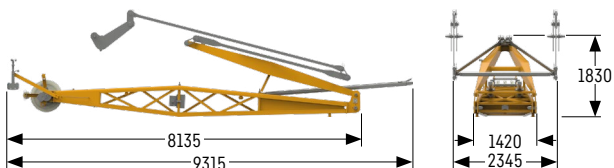
### Jib section 6 m (No. 0806.15)

Weight including pendants kg 249

### Jib foot 5.5 m with A-frame (No. 0806.16)

Weight including pendants kg 1017

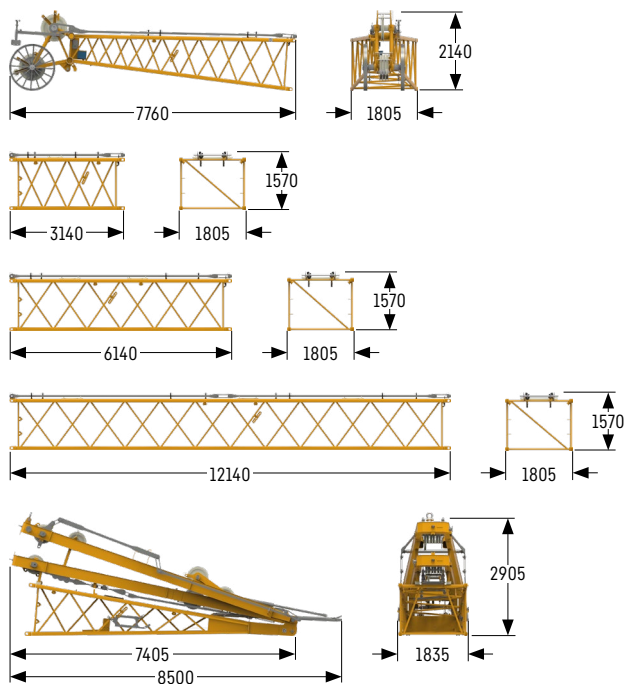
## Fixed jib 0906.21



### Fixed jib 7 m (No. 0906.21)

Weight including pendants kg 2413

## Luffing jib 1713.xx



### Jib head 7 m (No. 1713.21)

Weight including pendants	kg 1376
---------------------------	---------

### Jib section 3 m (No. 1713.18)

Weight including pendants	kg 394
---------------------------	--------

### Jib section 6 m (No. 1713.18)

Weight including pendants	kg 624
---------------------------	--------

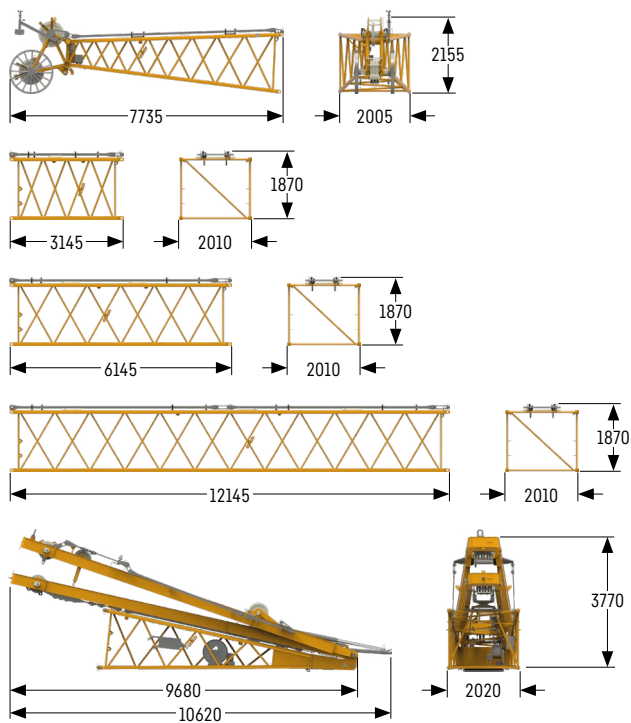
### Jib section 12 m (No. 1713.18)

Weight including pendants	kg 1122
---------------------------	---------

### Jib foot 7 m with A-frames 2 + 3 (No. 1713.22)

Weight including pendants	kg 4763
---------------------------	---------

## Luffing jib 1916.xx



### Jib head 7 m (No. 1916.21)

Weight including pendants	kg 1520
---------------------------	---------

### Jib section 3 m (No. 1916.18)

Weight including pendants	kg 494
---------------------------	--------

### Jib section 6 m (No. 1916.18)

Weight including pendants	kg 731
---------------------------	--------

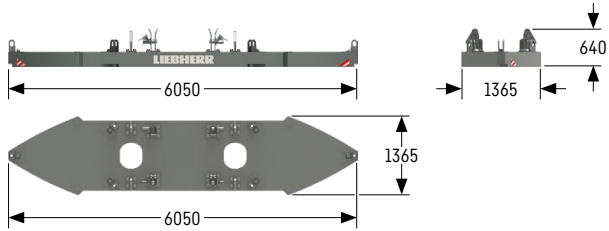
### Jib section 12 m (No. 1916.18)

Weight including pendants	kg 1287
---------------------------	---------

### Jib foot 7 m with A-frames 2 + 3 (No. 1916.22)

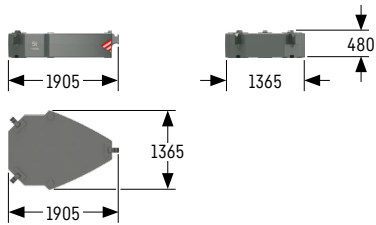
Weight including pendants	kg 6237
---------------------------	---------

# Counterweight



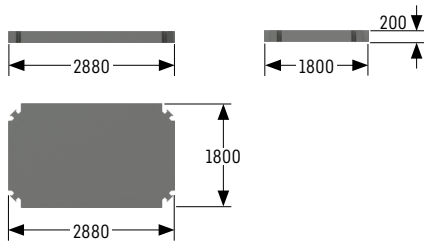
## Basic counterweight slab without tie-down (1x)

Weight	kg 12000
--------	----------



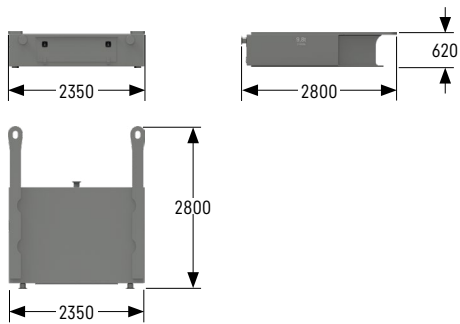
## Counterweight slab (14x)

Weight	kg 5000
--------	---------



## Carbody counterweight slab (2x)

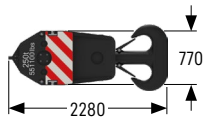
Weight	kg 8300
--------	---------



## Carbody counterweight (2x)

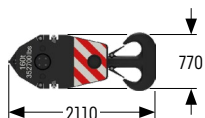
Weight	kg 9800
--------	---------

## Pulley block with additional weights / load hooks



### 250 t pulley block - 11 pulleys

Width	mm	1250
Weight	kg	2300 / 3200



### 160 t pulley block - 7 pulleys

Width	mm	885
Weight	kg	1500 / 2250 / 3000



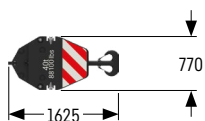
### 100 t pulley block - 5 pulleys

Width	mm	745
Weight	kg	1300 / 1800 / 2300



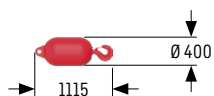
### 80 t pulley block - 3 pulleys

Width	mm	565
Weight	kg	1000 / 1500 / 2000



### 40 t pulley block - 1 pulley

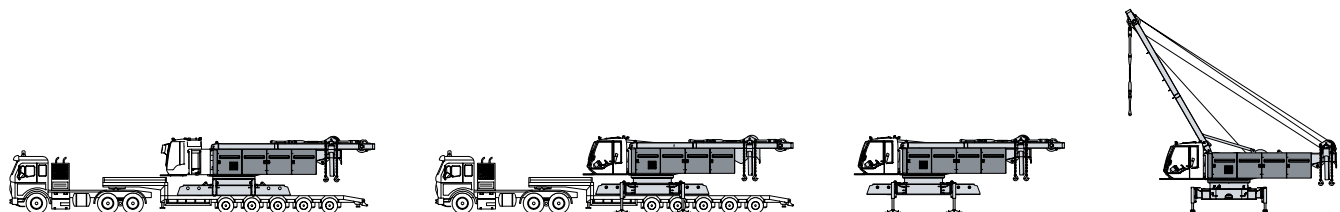
Width	mm	490
Weight	kg	700 / 1100 / 1500



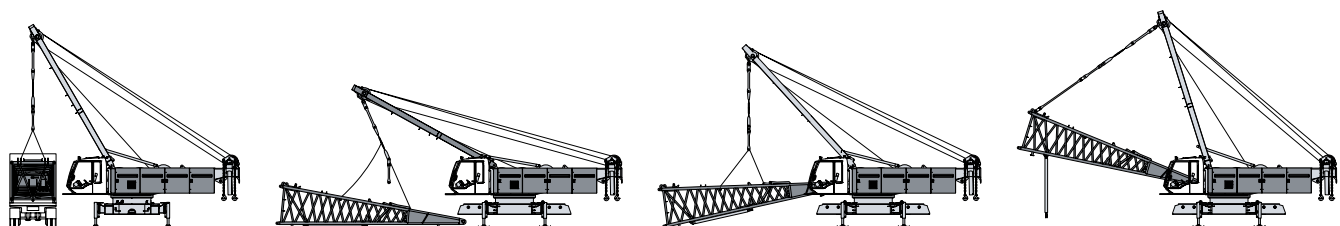
### 12.5 t load hook

Weight	kg	600
--------	----	-----

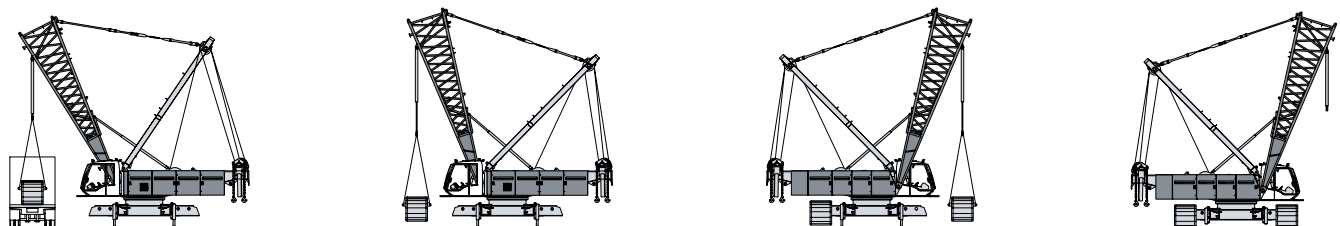
# Self-assembly system



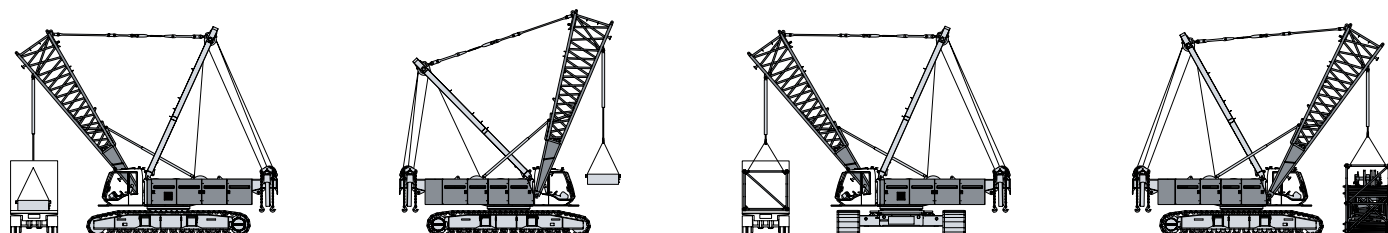
Unloading of basic machine



Unloading and assembly of boom foot

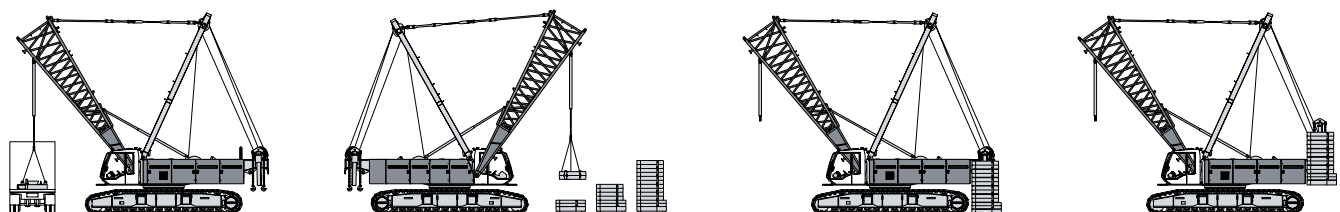


Unloading and assembly of crawler side frames

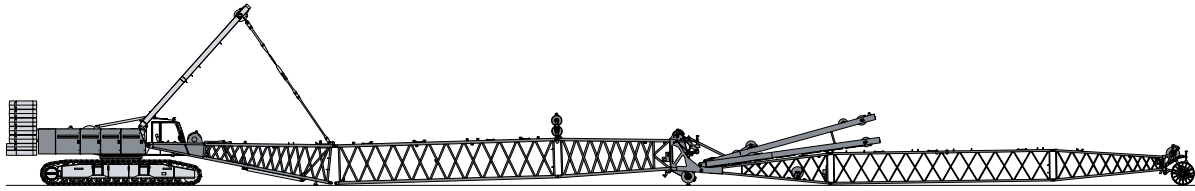


Unloading and assembly of carbody counterweight

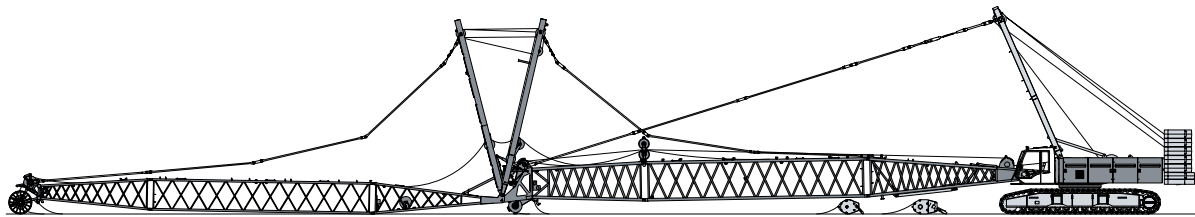
Unloading and assembly of boom



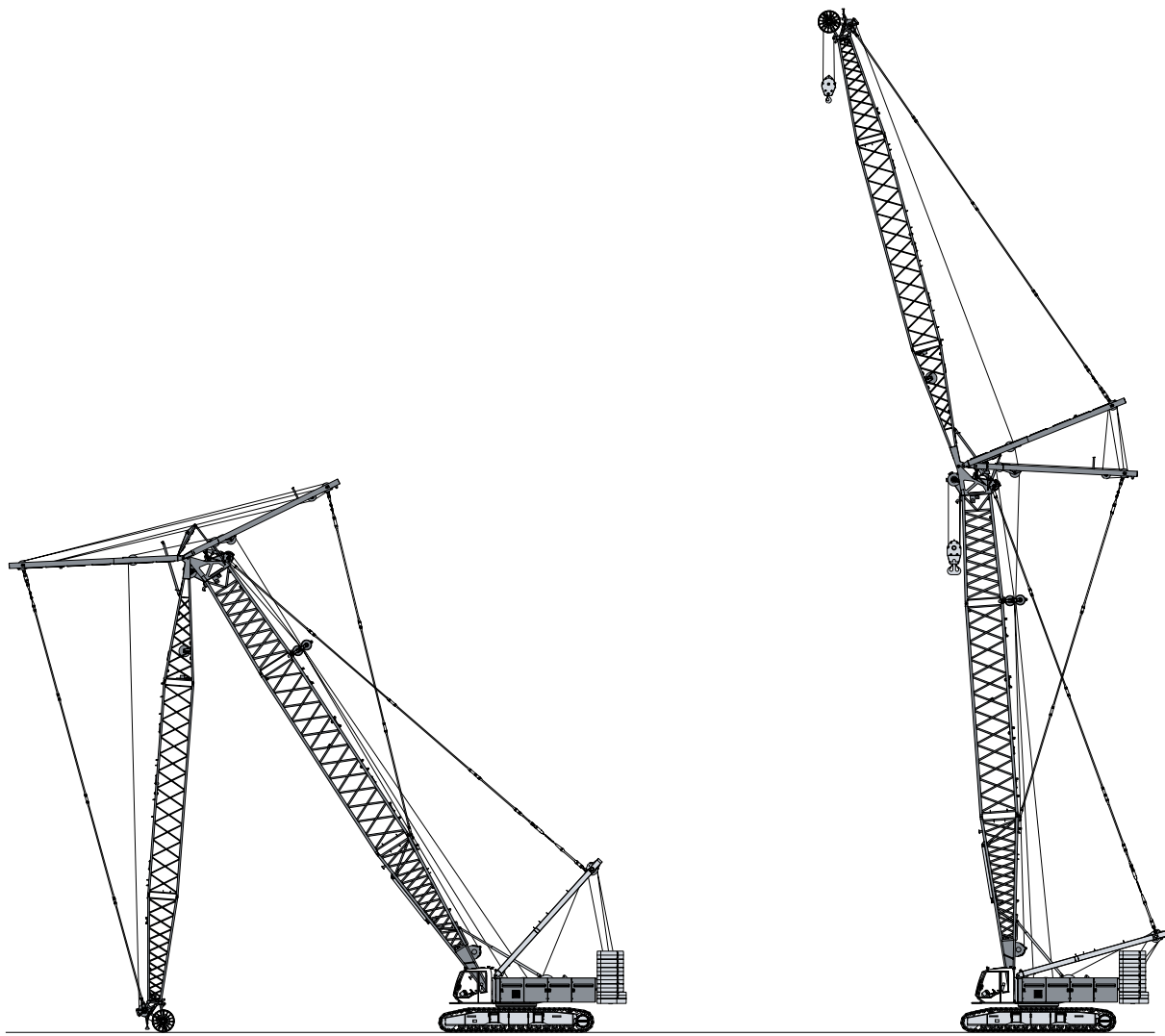
Unloading and assembly of rear counterweight



Assembly of boom

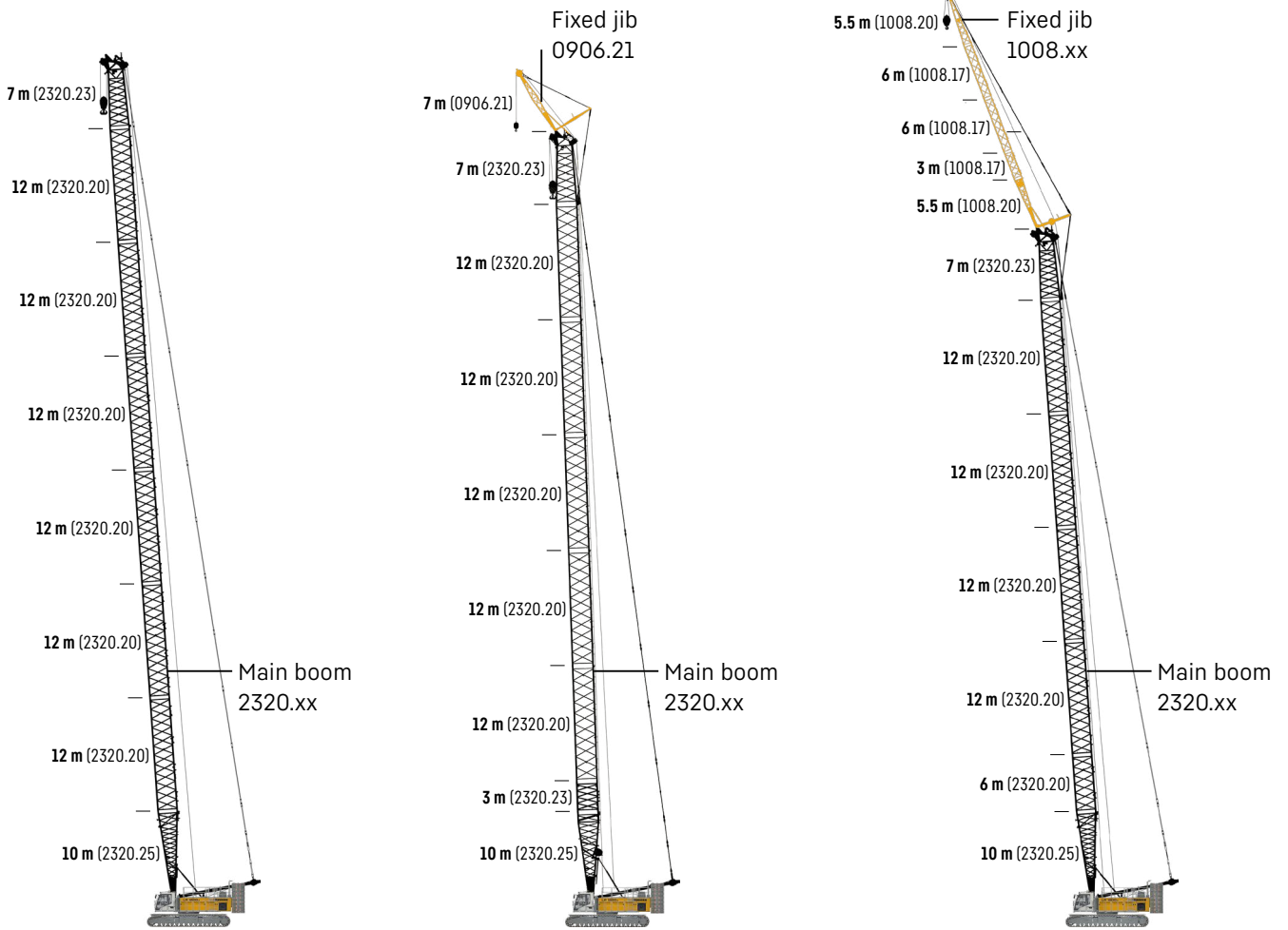


Reeving of hoist and luffing jib ropes



Erecting of main boom and luffing jib

# Boom combinations



## Main boom

Mode 1	
<b>Max. length</b>	
2320.xx	m 89

Further information on page 18.

## Main boom + fixed jib

Mode 3	
<b>Max. combination</b>	
2320.xx	m 80
0906.21	m 7
<b>Total length</b>	m 87

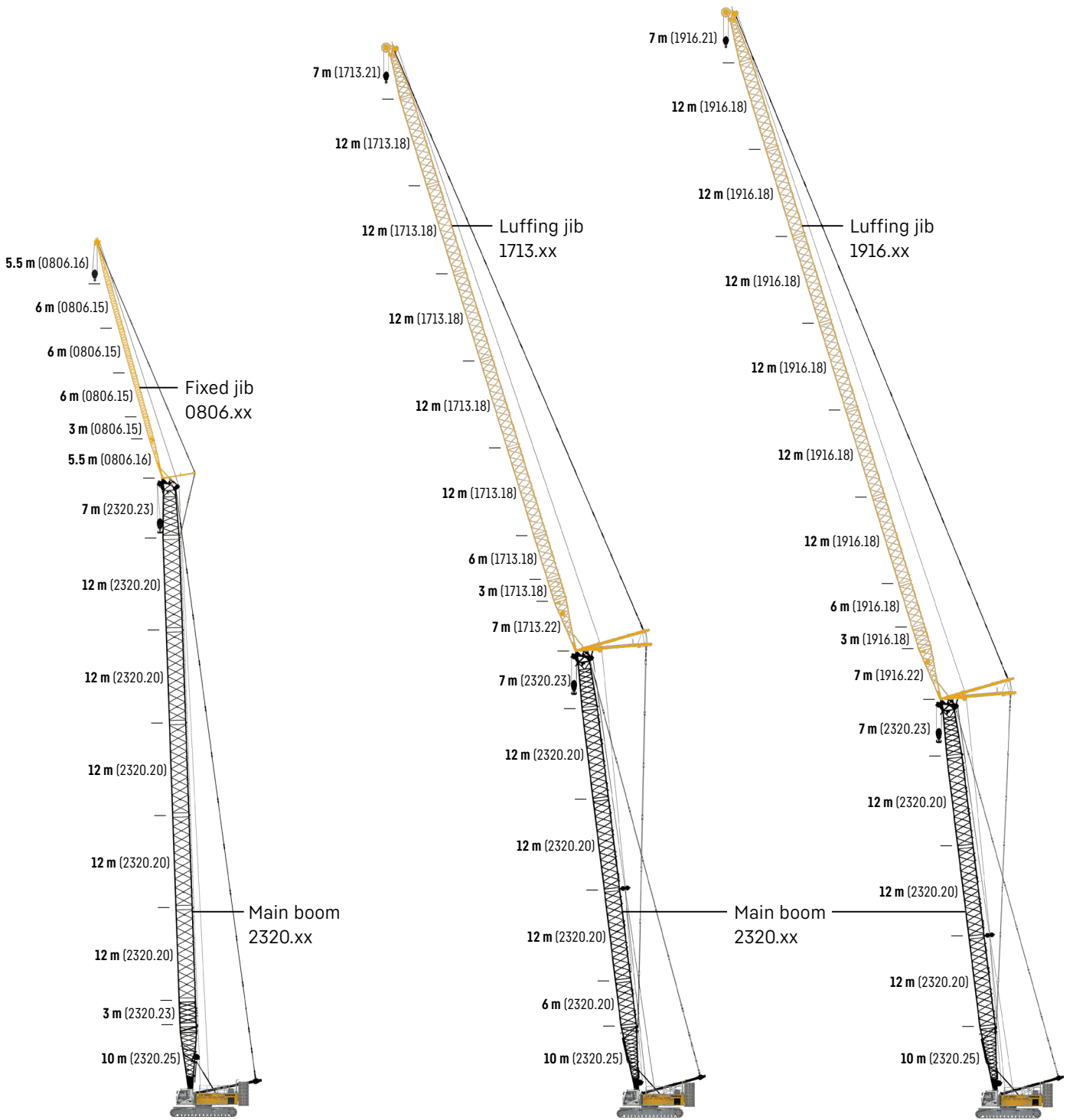
Further information on page 38.

## Main boom + fixed jib

Mode 3		
<b>Max. combination</b>		
2320.xx	m 71	74 77
1008.xx	m 26	23 17
<b>Total length</b>	m 97	97 94

Further information on page 32.





**Main boom + fixed jib**

Mode 3		
<b>Max. combination</b>		
2320.xx	m 80	83
0806.xx	m 32	23
<b>Total length</b>	<b>m 112</b>	<b>106</b>

Further information on page 35.

**Main boom + luffing jib**

Mode 4			
<b>Max. combination</b>			
2320.xx	m 59	62	65
1713.xx	m 83	74	53
<b>Total length</b>	<b>m 142</b>	<b>136</b>	<b>118</b>

Further information on page 20.

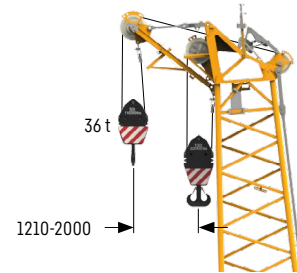
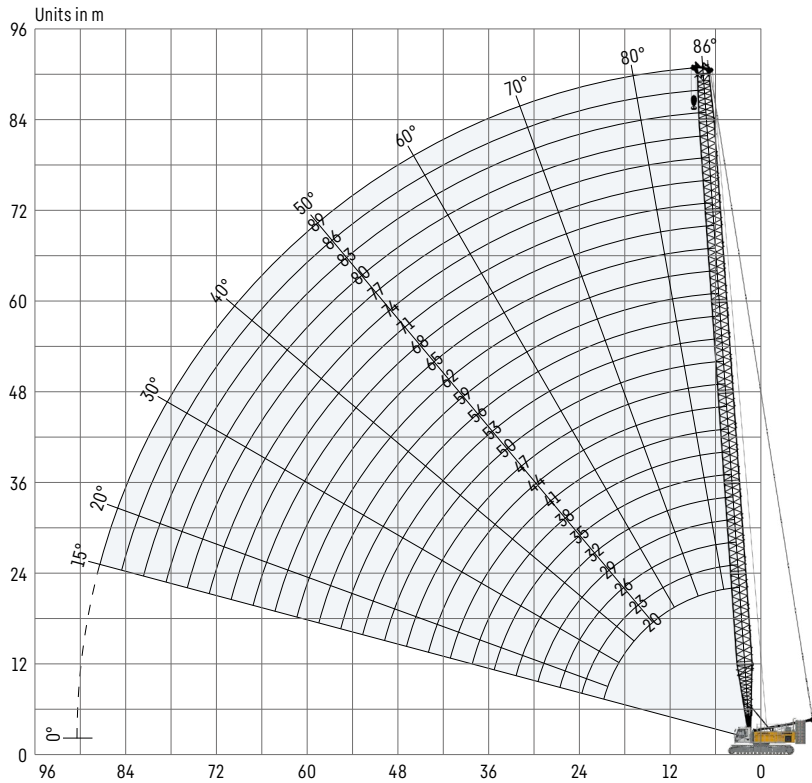
**Main boom + luffing jib**

Mode 4			
<b>Max. combination</b>			
2320.xx	m 53	56	59
1916.xx	m 95	80	62
<b>Total length</b>	<b>m 148</b>	<b>136</b>	<b>121</b>

Further information on page 26.

# Main boom 2320.xx

## Main boom lengths 20-89 m



### Auxiliary jib 36t (option)

The maximum capacity of the auxiliary jib is 36 t. The corresponding load chart is programmed in the LML system.

### Main boom configuration 2320.xx

Boom section	Amount of boom sections												
Boom foot 10 m	1	1	1	1	1	1	1	1	1	1	1	1	1
Boom section 3 m	1		1		1		1		1		1		1
Boom section 6 m		1	1			1	1			1	1		1
Boom section 12 m				1	1	1	1	2	2	2	2	3	
Boom head 7 m	1	1	1	1	1	1	1	1	1	1	1	1	1
<b>Boom length [m]</b>	<b>20</b>	<b>23</b>	<b>26</b>	<b>29</b>	<b>32</b>	<b>35</b>	<b>38</b>	<b>41</b>	<b>44</b>	<b>47</b>	<b>50</b>	<b>53</b>	
Auxiliary jib	✓	✓	✓	✓	✓	✓	✓	✓	✓	✓	✓	✓	✓
Boom foot 10 m	1	1	1	1	1	1	1	1	1	1	1	1	1
Boom section 3 m	1		1		1		1		1		1		1
Boom section 6 m		1	1			1	1			1	1		1
Boom section 12 m	3	3	3	4	4	4	4	5	5	5	5	6	
Boom head 7 m	1	1	1	1	1	1	1	1	1	1	1	1	1
<b>Boom length [m]</b>	<b>56</b>	<b>59</b>	<b>62</b>	<b>65</b>	<b>68</b>	<b>71</b>	<b>74</b>	<b>77</b>	<b>80</b>	<b>83</b>	<b>86</b>	<b>89</b>	
Auxiliary jib	✓	✓	✓	✓	✓	✓	✓	✓	✓	✓	✓	✓	✓

# Load capacities with main boom

Load capacities in [t] with 82.3 t rear counterweight and 36 t carbody counterweight

Radius [m]	Boom length [m]											
	20	26	32	38	44	50	56	62	68	74	80	89
6					114.8							
7				129.5	107.8	90.1	80.2	65.4				
8		141.2	132.6	118.8	100.9	83.7	77.6	64.9	52.0	45.0		
9	129.7	122.8	116.0	109.8	93.2	78.8	74.8	62.1	50.3	44.7	37.0	26.6
10	114.2	108.5	103.0	98.0	87.2	73.6	71.9	60.2	48.3	43.1	36.0	26.6
14	70.5	70.5	70.5	67.7	65.2	59.2	60.4	52.3	41.4	38.1	31.7	24.0
20	43.3	43.5	43.5	43.2	43.0	42.4	41.0	39.5	33.7	32.6	27.0	20.4
22		38.3	38.3	38.0	37.8	37.5	36.7	35.5	32.0	31.1	25.6	19.4
24		34.0	34.0	33.8	33.6	33.3	33.0	32.0	30.2	29.8	24.5	18.5
26		30.4	30.5	30.3	30.1	29.8	29.5	29.1	28.1	27.1	23.5	17.7
32			22.8	22.7	22.5	22.1	21.9	21.5	21.2	20.7	19.9	16.1
38				17.5	17.4	17.1	16.8	16.5	16.2	15.8	15.4	14.3
44					13.8	13.5	13.3	12.9	12.6	12.2	11.9	11.1
46						12.5	12.3	12.0	11.7	11.3	10.9	10.3
48						11.7	11.5	11.1	10.8	10.4	10.1	9.4
50						10.9	10.6	10.3	10.0	9.6	9.2	8.7
55							8.8	8.5	8.2	7.8	7.5	6.9
60								7.0	6.7	6.4	6.0	5.5
65									5.5	5.1	4.8	4.3
70										4.1	3.7	3.2
75											2.8	2.3

Load capacities in [t] with 72.3 t rear counterweight and 36 t carbody counterweight

Radius [m]	Boom length [m]											
	20	26	32	38	44	50	56	62	68	74	80	89
4.1	219.1											
5	216.9	162.8	153.6									
6	194.3	159.0	150.7	140.3	114.8							
7	164.9	152.5	141.8	129.5	107.8	90.1	80.2	65.4				
8	138.9	129.8	121.8	114.5	100.9	83.7	77.6	64.9	52.0	45.0		
9	119.8	112.8	106.5	100.8	93.2	78.8	74.8	62.1	50.3	44.7	37.0	26.6
16	53.7	53.7	53.6	53.3	51.4	49.5	47.7	45.9	38.8	36.2	29.9	22.5
18	45.7	45.7	45.7	45.5	45.0	43.4	41.9	40.4	36.0	34.3	28.5	21.3
20	39.5	39.6	39.6	39.4	39.2	38.5	37.2	35.8	33.7	32.6	27.0	20.4
26		27.6	27.7	27.4	27.2	26.9	26.6	26.2	25.2	24.3	23.3	17.7
28			24.9	24.7	24.5	24.2	23.9	23.6	23.0	22.0	21.2	17.1
32			20.5	20.4	20.2	19.9	19.6	19.2	18.9	18.4	17.6	16.1
34				18.6	18.5	18.1	17.9	17.5	17.2	16.8	16.1	14.8
40					14.3	14.0	13.7	13.4	13.1	12.7	12.3	11.3
46						11.1	10.8	10.5	10.2	9.8	9.4	8.6
48						10.2	10.0	9.6	9.3	8.9	8.6	7.9
50						9.5	9.2	8.9	8.6	8.2	7.8	7.2
55							7.6	7.3	6.9	6.6	6.2	5.7
60								5.9	5.6	5.2	4.9	4.3
65									4.4	4.1	3.7	3.2
70										3.1	2.8	2.2



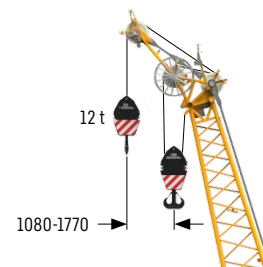
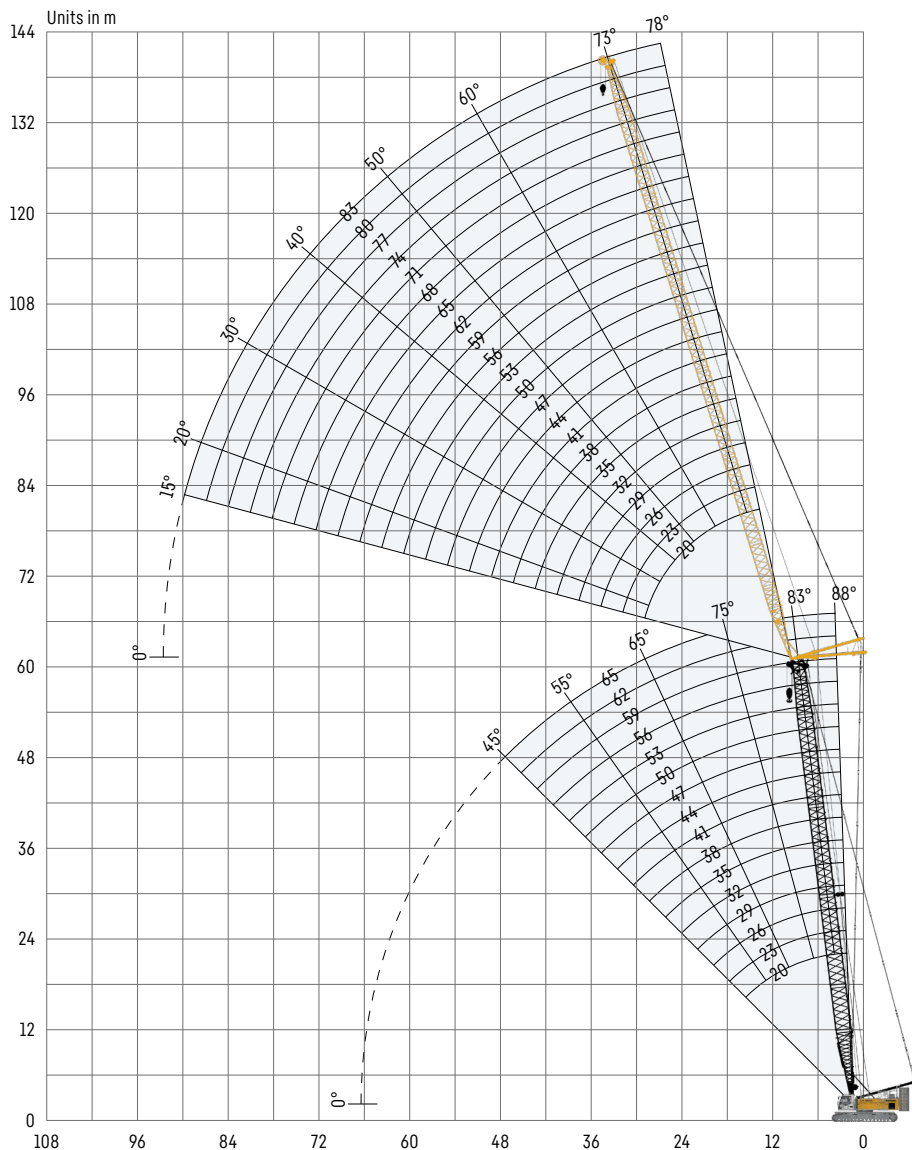
TLT 13147978. Above load charts are for reference only. For actual lift duty please refer to load chart in operator's cabin or manual. Otherwise we recommend you to plan your lifting job using Crane Planner 2.0.

[www.liebherr.com/CranePlanner](http://www.liebherr.com/CranePlanner)

**Crane Planner 2.0**

# Luffing jib 1713.xx

## Jib lengths 20-83 m



**Auxiliary jib 12 t (option)**  
The maximum capacity of the auxiliary jib is 12 t.

### Jib configuration 1713.xx

Jib section	Amount of jib sections																					
Jib foot 7 m	1	1	1	1	1	1	1	1	1	1	1	1	1	1	1	1	1	1	1	1		
Jib section 3 m		1		1		1		1		1		1		1		1		1		1		
Jib section 6 m	1	1			1	1			1	1			1	1			1	1		1		
Jib section 12 m			1	1	1	1	2	2	2	2	3	3	3	3	4	4	4	4	5	5	5	5
Jib head 7 m	1	1	1	1	1	1	1	1	1	1	1	1	1	1	1	1	1	1	1	1	1	
<b>Jib length [m]</b>	<b>20</b>	<b>23</b>	<b>26</b>	<b>29</b>	<b>32</b>	<b>35</b>	<b>38</b>	<b>41</b>	<b>44</b>	<b>47</b>	<b>50</b>	<b>53</b>	<b>56</b>	<b>59</b>	<b>62</b>	<b>65</b>	<b>68</b>	<b>71</b>	<b>74</b>	<b>77</b>	<b>80</b>	<b>83</b>
Auxiliary jib	✓	✓	✓	✓	✓	✓	✓	✓	✓	✓	✓	✓	✓	✓	✓	✓	✓	✓	✓	✓	✓	✓

For main boom configuration please refer to the table on page 18.

# Load capacities with luffing jib

Load capacities in [t] with 20 m main boom 88°

Radius [m]	Jib length [m]					
	20	32	44	56	68	83
9	60.0					
11	52.2	46.1				
13	42.1	37.8	30.3			
16	32.1	29.4	26.8	18.8		
18	27.6	25.2	22.8	17.9	12.0	
20	23.9	22.5	20.2	16.8	11.6	
22	19.7	19.7	18.0	15.7	11.0	6.9
24		17.7	16.2	14.7	10.5	6.7
36			9.9	8.7	7.7	5.4
48				5.9	5.0	3.9
60					3.4	2.4
65					2.8	

82.3 t rear counterweight and 36 t carbody counterweight

Load capacities in [t] with 29 m main boom 88°

Radius [m]	Jib length [m]					
	20	32	44	56	68	83
8.1	60.0					
11	53.6	43.3				
14	40.4	35.5	27.7			
16	34.2	30.9	26.1	17.6		
20	25.6	23.6	21.4	16.1	11.0	
22	22.2	20.7	18.9	15.3	10.4	6.4
24		18.6	17.0	14.7	10.0	6.3
32		13.3	12.1	10.7	8.5	5.6
36			10.4	9.1	8.0	5.3
46			7.4	6.6	5.6	4.3
48				6.3	5.2	4.0
65					3.0	2.2

82.3 t rear counterweight and 36 t carbody counterweight

Load capacities in [t] with 41 m main boom 88°

Radius [m]	Jib length [m]					
	20	32	44	56	68	83
8.6	52.2					
11	46.1	34.9				
14	38.8	31.4	23.7			
18	29.7	25.6	21.2	15.3		
20	26.3	23.3	20.0	14.7	9.8	
22	23.2	20.8	18.3	13.9	9.5	5.5
32		13.6	12.2	11.0	8.1	5.1
38			10.0	8.7	7.4	4.7
46			7.7	6.8	5.7	4.2
48				6.4	5.4	4.0
60					3.7	2.9
70					2.4	

82.3 t rear counterweight and 36 t carbody counterweight

Load capacities in [t] with 50 m main boom 88°

Radius [m]	Jib length [m]					
	20	32	44	56	68	83
8.9	39.8					
11	35.8					
12	34.0	27.4				
14	30.6	25.3	19.3			
18	25.4	21.2	17.1	13.0		
20	23.4	19.8	16.0	12.2	8.7	
22	21.9	18.2	14.9	11.5	8.5	4.8
24		16.9	14.0	10.8	8.4	4.8
36			10.5	8.6	6.7	4.5
55				5.1	4.4	3.1
65					3.2	2.3
70					2.5	

82.3 t rear counterweight and 36 t carbody counterweight

Load capacities in [t] with 65 m main boom 88°

Radius [m]	Jib length [m]					
	20	29	35	41	47	53
9.4	26.2					
12	23.6	20.0				
13	22.5	19.2	16.7			
14	21.5	18.4	16.1	14.1		
16	19.8	17.1	14.9	13.4	11.9	
20	17.1	14.8	12.9	11.8	10.5	9.3
26		12.4	10.8	9.8	8.8	7.8
32		11.2	9.6	8.7	7.8	7.0
38			8.9	7.9	7.0	6.2
44				7.3	6.4	5.6
50					4.7	5.1
55						4.8

82.3 t rear counterweight and 36 t carbody counterweight

TLT 13147978. Above load charts are for reference only. For actual lift duty please refer to load chart in operator's cabin or manual. Otherwise we recommend you to plan your lifting job using Crane Planner 2.0.



[www.liebherr.com/CranePlanner](http://www.liebherr.com/CranePlanner)

**Crane Planner 2.0**

# Load capacities with luffing jib

Load capacities in [t] with 20 m main boom 83°

Radius [m]	Jib length [m]					
	20	32	44	56	68	83
11.3	59.9					
16	36.9	33.5				
20	27.2	24.5	22.1			
22	23.8	21.7	19.6	16.3		
24	20.4	19.3	17.4	15.7		
26		17.6	15.8	14.3	10.2	
28		16.0	14.4	13.0	10.0	
30		14.7	13.1	11.8	9.7	6.1
46			7.5	6.6	5.6	4.6
55				5.1	4.2	3.1
65					3.1	2.1
70					2.5	

82.3 t rear counterweight and 36 t carbody counterweight

Load capacities in [t] with 29 m main boom 83°

Radius [m]	Jib length [m]					
	20	32	44	56	68	83
12.4	56.3					
16	42.7	36.2				
20	30.7	27.5	24.0			
22	26.6	24.1	21.7			
24	23.6	21.5	19.5	15.3		
28		17.4	15.9	14.1	9.7	
32		14.7	13.2	11.9	9.1	5.8
38			10.6	9.4	8.0	5.4
48			7.6	6.8	5.7	4.5
55				5.5	4.6	3.5
60				4.7	3.9	3.0
70					2.8	2.0

82.3 t rear counterweight and 36 t carbody counterweight

Load capacities in [t] with 41 m main boom 83°

Radius [m]	Jib length [m]					
	20	32	44	56	68	83
13.8	42.7					
18	34.9	29.0				
22	27.8	24.0	20.3			
26	22.7	20.1	17.6	13.6		
28		18.7	16.4	13.2	8.9	
36		13.4	12.1	10.8	8.1	5.2
44			9.3	8.1	6.8	4.6
48			8.2	7.2	6.0	4.4
55				5.9	4.8	3.6
60				5.0	4.1	3.2
65					3.6	2.7
70					3.0	2.2

82.3 t rear counterweight and 36 t carbody counterweight

Load capacities in [t] with 50 m main boom 83°

Radius [m]	Jib length [m]					
	20	32	44	56	68	83
14.9	31.8					
20	25.2	21.4				
22	23.3	19.7	15.7			
26	20.5	17.2	14.3	11.1		
28	19.5	16.4	13.6	10.7		
30		15.7	13.1	10.4	8.0	
34		14.4	12.0	9.6	7.6	4.7
40			10.5	8.6	6.8	4.5
48			8.4	7.2	5.8	4.0
55				5.9	5.0	3.5
60				5.1	4.3	3.2
70					3.2	2.3

82.3 t rear counterweight and 36 t carbody counterweight

Load capacities in [t] with 65 m main boom 83°

Radius [m]	Jib length [m]					
	20	29	38	44	50	53
16.8	21.2					
20	18.8	16.4				
24	16.3	14.2	11.9	10.5		
26	15.5	13.4	11.2	10.2	9.1	
28	14.9	12.8	10.8	9.8	8.8	8.3
34		11.4	9.6	8.7	7.9	7.3
40			8.7	7.8	7.0	6.5
44			8.2	7.3	6.5	6.1
48				6.9	6.1	5.7
50				6.7	5.9	5.5
55					5.5	5.1
60						4.7

82.3 t rear counterweight and 36 t carbody counterweight

TLT 13147978. Above load charts are for reference only. For actual lift duty please refer to load chart in operator's cabin or manual. Otherwise we recommend you to plan your lifting job using Crane Planner 2.0.

# Load capacities with luffing jib

Load capacities in [t] with 20 m main boom 75°

Radius [m]	Jib length [m]					
	20	32	44	56	68	83
18	39.5					
20	33.4					
22	28.8	25.5				
24	25.2	22.9				
32		14.9	13.6	11.7		
36		12.8	11.6	10.2		
38		12.0	10.7	9.5	8.1	
44			8.6	7.7	6.6	5.1
50			7.2	6.2	5.2	4.2
60				4.7	3.7	2.8
65					3.2	2.3
70					2.7	

82.3 t rear counterweight and 36 t carbody counterweight

Load capacities in [t] with 29 m main boom 75°

Radius [m]	Jib length [m]					
	20	32	44	56	68	83
19	44.8					
24	30.6	24.0				
28	23.9	21.4				
30		18.9	17.2			
36		14.4	13.1	11.9		
40		12.5	11.4	10.1	8.4	
46			9.1	8.1	7.0	4.9
48			8.6	7.6	6.4	4.9
50			8.2	7.1	6.0	4.7
55				6.0	5.1	4.1
70					3.2	2.3
75					2.7	

82.3 t rear counterweight and 36 t carbody counterweight

Load capacities in [t] with 41 m main boom 75°

Radius [m]	Jib length [m]					
	20	32	44	56	68	83
22.1	31.8					
28	25.8	22.7				
30	24.0	20.8				
34		18.0	16.0			
36		16.5	14.8			
38		15.1	13.7	11.8		
42		13.1	11.9	10.4		
44		12.2	11.0	9.7	7.8	
50			9.0	7.9	6.8	4.5
55			7.8	6.7	5.7	4.2
65				5.1	4.1	3.2
75					3.1	2.2

82.3 t rear counterweight and 36 t carbody counterweight

Load capacities in [t] with 50 m main boom 75°

Radius [m]	Jib length [m]					
	20	32	44	56	68	83
24.4	22.7					
30	19.6	16.8				
34	17.8	15.3				
36		14.7	12.4			
40		13.4	11.4	9.0		
46		12.1	10.2	8.3	6.5	
48			9.7	8.0	6.5	
55			8.3	6.9	5.7	3.8
60				6.0	5.2	3.6
70				4.3	3.8	2.9
75					3.3	2.4
80					2.8	

82.3 t rear counterweight and 36 t carbody counterweight

Load capacities in [t] with 65 m main boom 75°

Radius [m]	Jib length [m]					
	20	26	32	38	44	53
28.3	16.2					
32	15.0	13.9				
34	14.4	13.2	12.1			
36	13.9	12.7	11.7	10.1		
38	13.3	12.2	11.2	9.9		
40		11.7	10.8	9.6	8.7	
44		10.9	10.0	8.9	8.1	6.9
50			9.1	7.9	7.3	6.1
55				7.4	6.6	5.6
60					6.2	5.1
65						4.7
70						4.3

82.3 t rear counterweight and 36 t carbody counterweight

TLT 13147978. Above load charts are for reference only. For actual lift duty please refer to load chart in operator's cabin or manual. Otherwise we recommend you to plan your lifting job using Crane Planner 2.0.

# Load capacities with luffing jib

Load capacities in [t] with 20 m main boom 65°

Radius [m]	Jib length [m]					
	20	32	44	56	68	83
22.9	24.0					
30	21.2	18.9				
36		14.4				
38		13.4	12.1			
42		11.6	10.3			
44			9.5	8.3		
50			8.0	6.9		
55				5.8	4.9	
60				5.1	4.2	3.0
65				4.4	3.5	2.5
70					3.0	2.1
75					2.6	

82.3 t rear counterweight and 36 t carbody counterweight

Load capacities in [t] with 32 m main boom 65°

Radius [m]	Jib length [m]					
	20	32	44	56	68	83
30	25.0					
32	23.1					
36		18.9				
42		14.4	12.7			
44		13.5	12.1			
46		12.6	11.2			
50			9.7	8.6		
55			8.4	7.3		
65				5.5	4.4	3.3
70				4.8	3.8	2.8
75					3.3	2.3
80					2.9	

82.3 t rear counterweight and 36 t carbody counterweight

Load capacities in [t] with 44 m main boom 65°

Radius [m]	Jib length [m]					
	20	32	44	56	68	83
33	20.3					
34	19.6					
40	16.1	15.5				
48		12.3	11.7			
50		11.7	11.1			
55			9.7	8.5		
60			8.5	7.3		
65				6.3	5.2	
70				5.5	4.5	3.2
75				4.8	3.8	2.9
80					3.3	2.4
85					2.9	

82.3 t rear counterweight and 36 t carbody counterweight

Load capacities in [t] with 56 m main boom 65°

Radius [m]	Jib length [m]					
	20	32	44	56	68	83
38.1	15.1					
46	12.0	11.3				
48		10.7				
50		10.2				
55		9.0	8.2			
60			7.3	6.4		
65			6.5	5.7		
70				5.1	4.2	
75				4.6	3.7	2.5
80				4.1	3.3	2.2
85					2.9	
90					2.5	

82.3 t rear counterweight and 36 t carbody counterweight

Load capacities in [t] with 65 m main boom 65°

Radius [m]	Jib length [m]					
	20	32	38	44	50	53
41.9	11.6					
42	11.6					
44	11.0					
46	10.5					
48	10.0					
50		8.5				
55		7.6	7.2			
60		6.8	6.4	5.9	5.4	
65			5.7	5.3	4.8	4.5
70				4.7	4.3	4.0
75					3.8	3.6
80						3.2

82.3 t rear counterweight and 36 t carbody counterweight

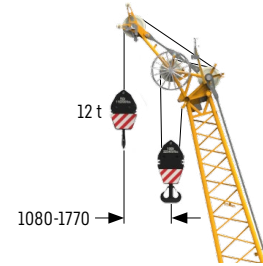
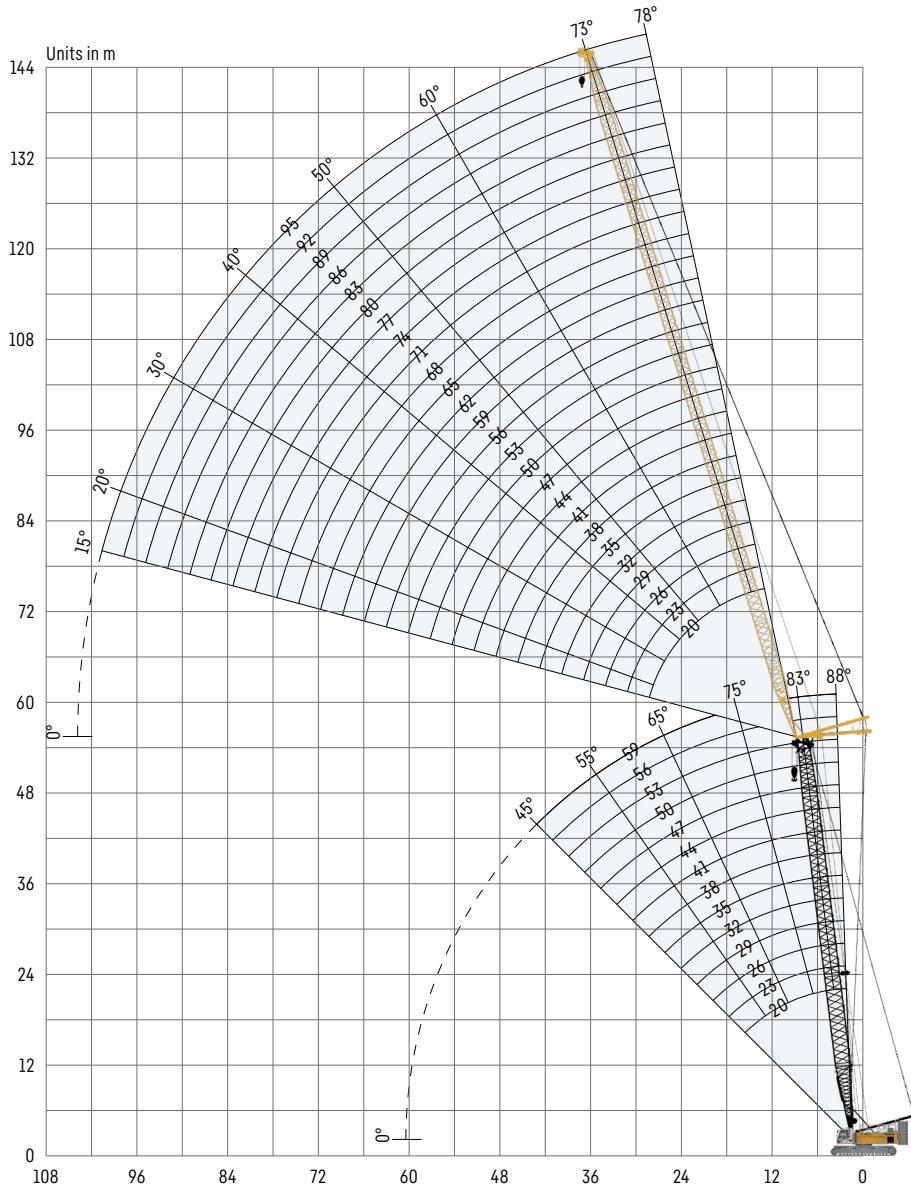
TLT 13147978. Above load charts are for reference only. For actual lift duty please refer to load chart in operator's cabin or manual. Otherwise we recommend you to plan your lifting job using Crane Planner 2.0.





# Luffing jib 1916.xx

## Jib lengths 20-95 m



**Auxiliary jib 12 t (option)**  
The maximum capacity of the auxiliary jib is 12 t.

### Jib configuration 1916.xx

Jib section	Amount of jib sections																									
Jib foot 7 m	1	1	1	1	1	1	1	1	1	1	1	1	1	1	1	1	1	1	1	1						
Jib section 3 m		1		1		1		1		1		1		1		1		1		1						
Jib section 6 m	1	1			1	1			1	1			1	1			1	1								
Jib section 12 m			1	1	1	1	2	2	2	2	3	3	3	3	4	4	4	4	5	5						
Jib head 7 m	1	1	1	1	1	1	1	1	1	1	1	1	1	1	1	1	1	1	1	1						
<b>Jib length [m]</b>	<b>20</b>	<b>23</b>	<b>26</b>	<b>29</b>	<b>32</b>	<b>35</b>	<b>38</b>	<b>41</b>	<b>44</b>	<b>47</b>	<b>50</b>	<b>53</b>	<b>56</b>	<b>59</b>	<b>62</b>	<b>65</b>	<b>68</b>	<b>71</b>	<b>74</b>	<b>77</b>	<b>80</b>	<b>83</b>	<b>86</b>	<b>89</b>	<b>92</b>	<b>95</b>
Auxiliary jib	✓	✓	✓	✓	✓	✓	✓	✓	✓	✓	✓	✓	✓	✓	✓	✓	✓	✓	✓	✓	✓	✓	✓	✓	✓	✓

For main boom configuration please refer to the table on page 18.

# Load capacities with luffing jib

Load capacities in [t] with 20 m main boom 88°

Radius [m]	Jib length [m]					
	20	35	50	65	80	95
9	70.7					
11	70.7	49.6				
16	47.7	40.2	28.5			
18	39.9	34.6	27.0	16.7		
22	28.4	26.9	23.7	15.4	9.7	
24		23.7	21.3	14.7	9.4	5.3
32		16.5	15.0	12.8	8.6	5.1
38			12.1	10.6	8.0	4.8
46			9.5	8.0	6.7	4.3
60				5.3	4.3	3.0
70					3.1	2.0
75					2.5	

82.3 t rear counterweight and 36 t carbody counterweight

Load capacities in [t] with 29 m main boom 88°

Radius [m]	Jib length [m]					
	20	35	50	65	80	95
8.1	69.2					
12	50.3	42.1				
16	38.3	33.1	25.8			
18	34.2	29.4	24.3	15.0		
20	30.8	26.7	22.1	14.7		
22	28.2	24.4	20.5	14.3	8.8	
24		22.3	19.0	13.8	8.7	4.8
32		17.3	15.0	11.8	8.2	4.7
38			13.0	10.4	7.6	4.6
46			10.9	8.9	6.8	4.1
65				6.2	4.8	3.0
80					3.6	2.1

82.3 t rear counterweight and 36 t carbody counterweight

Load capacities in [t] with 41 m main boom 88°

Radius [m]	Jib length [m]					
	20	35	50	65	80	95
8.6	55.5					
12	46.8	34.6				
16	37.7	29.7	21.8			
18	34.3	27.5	20.8	12.6		
20	31.2	25.5	19.5	12.4		
22	28.5	23.8	18.5	12.2	7.6	
24		22.1	17.6	12.0	7.4	
34		16.3	14.2	10.7	7.2	4.0
48			10.4	8.4	6.3	3.7
55				7.1	5.8	3.3
70					3.9	2.3
80					3.0	

82.3 t rear counterweight and 36 t carbody counterweight

Load capacities in [t] with 50 m main boom 88°

Radius [m]	Jib length [m]					
	20	35	50	65	80	95
8.9	42.2					
12	36.5	27.2				
16	30.2	23.6	17.5			
20	25.7	20.3	15.2	10.8		
22	24.1	19.1	14.4	10.5	6.4	
24		17.9	13.6	10.2	6.4	
26		16.9	13.0	9.8	6.3	3.3
34		14.5	11.3	8.6	6.1	3.3
40			10.2	7.8	5.6	3.2
48			8.8	6.9	4.9	2.8
65				5.0	3.5	2.0
80					2.4	

82.3 t rear counterweight and 36 t carbody counterweight

Load capacities in [t] with 59 m main boom 88°

Radius [m]	Jib length [m]					
	20	29	38	47	56	62
9.2	33.4					
12	29.7	24.9				
13	28.3	24.0	19.8			
16	25.0	21.3	18.0	15.1		
18	23.3	19.7	16.8	14.2	11.9	10.1
24	12.1	16.3	13.7	11.8	10.0	9.0
26		15.5	13.1	11.3	9.6	8.6
36			11.0	9.5	8.1	7.2
42				8.6	7.4	6.5
50				7.2	6.5	5.8
55					6.1	5.4
60						4.9

82.3 t rear counterweight and 36 t carbody counterweight

TLT 13147978. Above load charts are for reference only. For actual lift duty please refer to load chart in operator's cabin or manual. Otherwise we recommend you to plan your lifting job using Crane Planner 2.0.



[www.liebherr.com/CranePlanner](http://www.liebherr.com/CranePlanner)

**Crane Planner 2.0**

# Load capacities with luffing jib

Load capacities in [t] with 20 m main boom 83°

Radius [m]	Jib length [m]					
	20	35	50	65	80	95
11.3	70.7					
14	69.9					
18	47.6	39.4				
22	34.0	32.7	25.0			
26		24.4	22.4	14.6		
30		20.1	20.1	13.9	9.0	
32		18.5	18.0	13.5	8.8	
38		14.6	13.8	12.1	8.2	4.9
46			10.6	9.5	7.3	4.4
65				5.1	4.4	3.1
75					3.1	2.0
80					2.4	

82.3 t rear counterweight and 36 t carbody counterweight

Load capacities in [t] with 29 m main boom 83°

Radius [m]	Jib length [m]					
	20	35	50	65	80	95
12.4	57.7					
18	38.8	34.1				
20	34.6	30.4				
24	28.5	25.0	21.2			
28		21.5	18.5	13.5		
30		20.1	17.6	13.2	8.5	
36		16.9	14.8	12.0	8.0	4.7
38		16.0	14.1	11.6	7.8	4.6
50			10.7	8.9	6.8	4.0
65				6.6	5.2	3.2
80					3.9	2.3
85						2.1

82.3 t rear counterweight and 36 t carbody counterweight

Load capacities in [t] with 41 m main boom 83°

Radius [m]	Jib length [m]					
	20	35	50	65	80	95
13.8	45.6					
20	34.8	27.6				
24	29.5	24.1	18.8			
26	27.9	22.9	18.0			
30		20.9	16.8	11.8		
34		18.7	15.7	11.5	7.3	
40		16.4	14.2	10.7	7.1	4.0
42			13.6	10.4	7.0	4.0
48			12.0	9.6	6.7	3.8
60				7.7	5.9	3.2
75					4.6	2.4
85					3.4	

82.3 t rear counterweight and 36 t carbody counterweight

Load capacities in [t] with 50 m main boom 83°

Radius [m]	Jib length [m]					
	20	35	50	65	80	95
14.9	34.4					
20	27.6	22.2				
24	23.9	19.3	14.4			
28	21.8	17.4	13.5			
32		16.2	12.6	9.7		
34		15.6	12.2	9.4	6.3	
38		14.6	11.4	8.8	6.2	3.2
44			10.4	8.0	5.7	3.2
50			9.6	7.4	5.3	3.0
60				6.3	4.5	2.6
75					3.5	
85					2.9	

82.3 t rear counterweight and 36 t carbody counterweight

Load capacities in [t] with 59 m main boom 83°

Radius [m]	Jib length [m]					
	20	29	38	47	56	62
16	27.3					
20	23.6	20.2				
22	21.8	18.7	16.0			
24	20.5	17.7	14.9	12.6		
28	18.8	16.0	13.6	11.8	10.1	
30		15.4	13.1	11.4	9.8	8.8
36		14.0	11.8	10.2	8.9	7.9
40			11.1	9.6	8.3	7.4
48				8.5	7.3	6.5
60					6.2	5.5
65						5.1
70						4.3

82.3 t rear counterweight and 36 t carbody counterweight

TLT 13147978. Above load charts are for reference only. For actual lift duty please refer to load chart in operator's cabin or manual. Otherwise we recommend you to plan your lifting job using Crane Planner 2.0.

# Load capacities with luffing jib

Load capacities in [t] with 20 m main boom 75°

Radius [m]	Jib length [m]					
	20	35	50	65	80	95
18	51.8					
24	36.3	34.4				
26	32.2	32.3				
30		25.3	22.6			
34		20.4	21.4			
36		18.4	19.4	13.2		
48			11.8	11.3	7.5	
55			9.2	8.8	7.0	4.0
60				7.1	6.6	3.7
70				5.1	4.6	3.0
80					3.2	2.4
85					2.4	2.1

82.3 t rear counterweight and 36 t carbody counterweight

Load capacities in [t] with 29 m main boom 75°

Radius [m]	Jib length [m]					
	20	35	50	65	80	95
19	45.5					
26	30.5	27.8				
28	28.2	25.5				
32		21.9	19.5			
36		19.2	17.4			
42		16.2	14.7	12.0		
44		15.3	13.9	11.7		
50			11.9	10.1	7.2	
55			10.7	9.1	6.9	3.9
70				6.6	5.5	3.1
85					4.0	2.3
90						2.0

82.3 t rear counterweight and 36 t carbody counterweight

Load capacities in [t] with 41 m main boom 75°

Radius [m]	Jib length [m]					
	20	35	50	65	80	95
22.1	34.2					
30	25.6	23.0				
32	23.7	22.0				
36		19.9	16.8			
42		16.4	15.3	11.0		
46		14.5	13.9	10.8		
48			13.2	10.6	6.8	
55			11.0	9.9	6.5	3.7
60			9.7	8.9	6.3	3.5
70				7.0	5.8	3.0
85					4.3	2.3
90					3.7	2.1

82.3 t rear counterweight and 36 t carbody counterweight

Load capacities in [t] with 50 m main boom 75°

Radius [m]	Jib length [m]					
	20	35	50	65	80	95
24.4	25.5					
32	21.5	17.6				
34	20.6	16.9				
36		16.2				
42		14.6	11.8			
44		14.1	11.3	8.8		
48		13.0	10.7	8.4		
50			10.3	8.3	5.6	
60			9.0	7.1	5.2	2.9
65				6.5	4.8	2.8
80					3.7	2.1
90					3.1	

82.3 t rear counterweight and 36 t carbody counterweight

Load capacities in [t] with 59 m main boom 75°

Radius [m]	Jib length [m]					
	20	35	44	50	56	62
28	20.6					
34	18.1	14.1				
40		12.6	11.2	10.3		
42		12.1	10.9	10.0	8.9	
44		11.7	10.5	9.7	8.9	
46		11.4	10.2	9.4	8.6	7.7
50		10.8	9.5	8.9	8.0	7.2
55			8.9	8.2	7.4	6.6
60			8.2	7.6	6.8	6.1
65				7.1	6.4	5.6
70					6.0	5.2
75						4.9

82.3 t rear counterweight and 36 t carbody counterweight

TLT 13147978. Above load charts are for reference only. For actual lift duty please refer to load chart in operator's cabin or manual. Otherwise we recommend you to plan your lifting job using Crane Planner 2.0.

# Load capacities with luffing jib

Load capacities in [t] with 20 m main boom 65°

Radius [m]	Jib length [m]					
	20	35	50	65	80	95
24	34.8					
28	28.8					
30	26.5					
38		19.3				
42		17.0	16.4			
46			14.6			
50			13.0	11.8		
55			11.5	10.7		
60				9.4	6.9	
70				6.6	6.2	3.2
85					3.8	2.4
90						2.1

82.3 t rear counterweight and 36 t carbody counterweight

Load capacities in [t] with 29 m main boom 65°

Radius [m]	Jib length [m]					
	20	35	50	65	80	95
28	27.4					
34	21.5					
36		19.4				
40		17.0				
44		15.1	14.4			
48		13.4	12.8			
55			10.7	9.9		
65				7.6	6.5	
70				6.7	6.0	3.2
75				6.0	5.2	3.0
85					4.1	2.5
95						2.1

82.3 t rear counterweight and 36 t carbody counterweight

Load capacities in [t] with 41 m main boom 65°

Radius [m]	Jib length [m]					
	20	35	50	65	80	95
31.7	21.4					
34	19.7					
36	18.3					
38	17.1					
42		14.3				
50		11.4	10.7			
60			8.2	7.3		
70				5.7	4.6	
75				5.0	4.0	2.8
85					3.0	
90					2.6	
95					2.2	

82.3 t rear counterweight and 36 t carbody counterweight

Load capacities in [t] with 50 m main boom 65°

Radius [m]	Jib length [m]					
	20	35	50	65	80	86
35.5	17.0					
36	16.7					
38	15.7					
42	13.8					
46		11.4				
50		10.2				
55		8.9	8.0			
65			6.3	5.1		
70			5.6	4.4	3.3	
75				3.9	2.8	2.4
80				3.4	2.3	
85				3.0		

82.3 t rear counterweight and 36 t carbody counterweight

Load capacities in [t] with 59 m main boom 65°

Radius [m]	Jib length [m]					
	20	29	41	50	59	62
39.4	13.1					
40	12.8					
42	12.1					
44	11.5					
46	11.0	10.1				
55		8.1	7.1			
60			6.3	5.6		
65			5.6	5.0	4.1	4.0
70				4.4	3.6	3.4
75				3.9	3.1	3.0
80					2.7	2.5
85					2.3	2.2

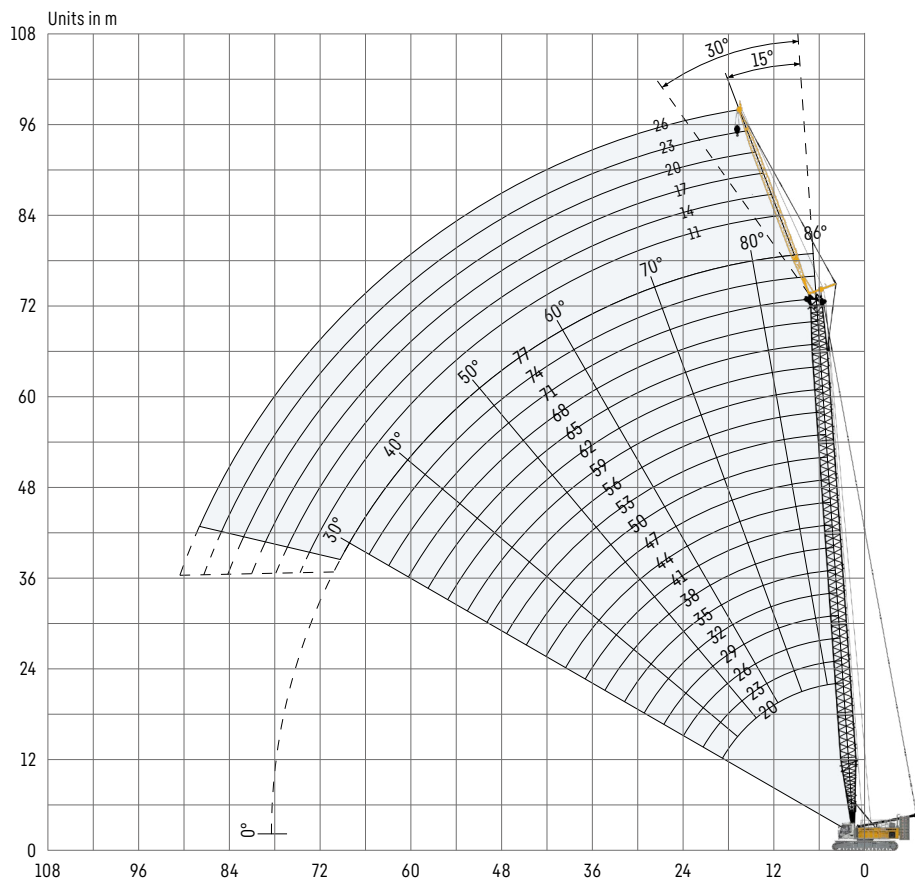
82.3 t rear counterweight and 36 t carbody counterweight

TLT 13147978. Above load charts are for reference only. For actual lift duty please refer to load chart in operator's cabin or manual. Otherwise we recommend you to plan your lifting job using Crane Planner 2.0.



# Fixed jib 1008.xx

## Jib lengths 11-26 m



### Jib configuration 1008.xx

Jib section	Amount of jib sections					
	1	1	1	1	1	1
Jib foot 5.5 m	1	1	1	1	1	1
Jib section 3 m		1		1		1
Jib section 6 m			1	1	2	2
Jib head 5.5 m	1	1	1	1	1	1
<b>Jib length [m]</b>	<b>11</b>	<b>14</b>	<b>17</b>	<b>20</b>	<b>23</b>	<b>26</b>

For main boom configuration please refer to the table on page 18.



## Load capacities with fixed jib 15°

Load capacities in [t] with 20 m main boom

Radius [m]	Jib length [m]			
	11	14	20	26
9	35.9			
10	35.9	34.1		
11	35.9	33.3	27.4	
12	35.9	32.6	26.4	19.7
18	34.3	28.2	21.1	16.3
26	25.6	22.2	15.8	12.6
32		18.3	13.0	10.5
34			12.4	9.9
36			12.1	9.4
38			11.5	9.0
42				8.3
44				8.0

82.3 t rear counterweight and 36 t carbody counterweight

Load capacities in [t] with 35 m main boom

Radius [m]	Jib length [m]			
	11	14	20	26
7	35.9			
8	35.9	35.4		
10	35.9	34.2	27.9	
13	35.9	32.7	25.5	18.7
22	35.5	29.2	20.4	15.1
32	23.1	23.4	16.0	12.3
40	16.6	16.9	13.3	10.4
44		14.6	12.4	9.6
46		13.6	12.1	9.2
48			12.0	8.9
50			11.6	8.7
55				8.1

82.3 t rear counterweight and 36 t carbody counterweight

Load capacities in [t] with 50 m main boom

Radius [m]	Jib length [m]			
	11	14	20	26
6.7	35.9			
8	35.9	34.3		
11	35.9	33.4	26.2	
13	35.9	32.6	25.1	17.8
20	34.4	30.2	21.6	15.6
30	24.3	24.6	18.9	13.5
40	15.7	16.0	15.7	11.7
50	10.7	10.9	11.4	9.9
55	8.9	9.1	9.5	9.2
60			8.0	8.3
65			6.7	7.0
70				5.9

82.3 t rear counterweight and 36 t carbody counterweight

Load capacities in [t] with 65 m main boom

Radius [m]	Jib length [m]			
	11	14	20	26
7.2	35.9			
9	35.9	31.7		
11	34.7	30.7	22.6	
14	30.8	28.4	21.8	16.1
24	23.1	21.9	18.1	13.9
36	17.6	17.7	15.9	12.5
40	14.8	15.1	14.8	12.3
50	9.8	10.0	10.5	10.8
65	5.3	5.4	5.8	6.2
70		4.4	4.7	5.0
75			3.7	4.1
80				3.2

82.3 t rear counterweight and 36 t carbody counterweight

Load capacities in [t] with 77 m main boom

Radius [m]	Jib length [m]		
	11	14	17
7.7	26.7		
9	26.7	23.8	
10	25.8	23.8	21.4
18	19.8	18.8	17.8
32	15.0	14.4	13.8
44	11.7	11.8	11.8
48	9.9	10.1	10.3
60	5.7	5.9	6.2
65	4.5	4.7	4.9
70	3.4	3.6	3.8
75	2.5	2.6	2.8
80			2.0

82.3 t rear counterweight and 36 t carbody counterweight

TLT 13147978. Above load charts are for reference only. For actual lift duty please refer to load chart in operator's cabin or manual. Otherwise we recommend you to plan your lifting job using Crane Planner 2.0.



[www.liebherr.com/CranePlanner](http://www.liebherr.com/CranePlanner)

**Crane Planner 2.0**

# Load capacities with fixed jib 30°

Load capacities in [t] with 20 m main boom

Radius [m]	Jib length [m]			
	11	14	20	26
11	34.8			
14	29.8	24.7		
16	27.1	23.7	16.4	
18	25.1	21.6	15.1	12.1
20	24.0	20.1	14.0	11.3
24	21.5	17.6	12.3	9.8
28	19.6	15.9	11.3	8.7
30	19.0	15.2	10.7	8.3
32		14.8	10.2	7.9
34		14.4	9.8	7.6
40			9.1	6.8
46				6.4

82.3 t rear counterweight and 36 t carbody counterweight

Load capacities in [t] with 35 m main boom

Radius [m]	Jib length [m]			
	11	14	20	26
10	35.9			
11	35.9	28.2		
16	30.7	24.8	16.9	
20	27.2	22.9	15.1	11.7
28	23.4	18.7	12.4	9.5
36	19.7	16.1	10.9	8.2
40	16.8	15.2	10.2	7.7
42	15.5	15.0	9.9	7.5
44	14.4	14.7	9.7	7.3
46		13.7	9.5	7.1
50			9.3	6.8
55				6.6

82.3 t rear counterweight and 36 t carbody counterweight

Load capacities in [t] with 50 m main boom

Radius [m]	Jib length [m]			
	11	14	20	26
9.4	35.9			
12	35.9	28.8		
16	32.9	26.7	17.6	
20	29.8	24.3	15.9	11.9
28	25.3	21.1	13.6	9.9
36	18.9	18.0	12.1	8.8
44	13.7	14.0	11.0	7.9
46	12.6	12.9	10.7	7.7
55	9.0	9.2	9.7	7.0
60		7.6	8.2	6.8
65			6.8	6.6
70				6.0

82.3 t rear counterweight and 36 t carbody counterweight

Load capacities in [t] with 65 m main boom

Radius [m]	Jib length [m]			
	11	14	20	26
9.9	31.9			
12	31.4	25.5		
16	28.6	24.1	16.8	
20	25.6	22.3	15.9	11.6
28	21.6	18.7	13.8	10.3
36	18.2	17.0	12.4	9.2
50	10.1	10.4	10.6	7.8
55	8.2	8.5	9.1	7.5
60	6.7	6.9	7.5	7.2
70	4.2	4.4	4.9	5.3
75			3.9	4.3
85				2.5

82.3 t rear counterweight and 36 t carbody counterweight

Load capacities in [t] with 77 m main boom

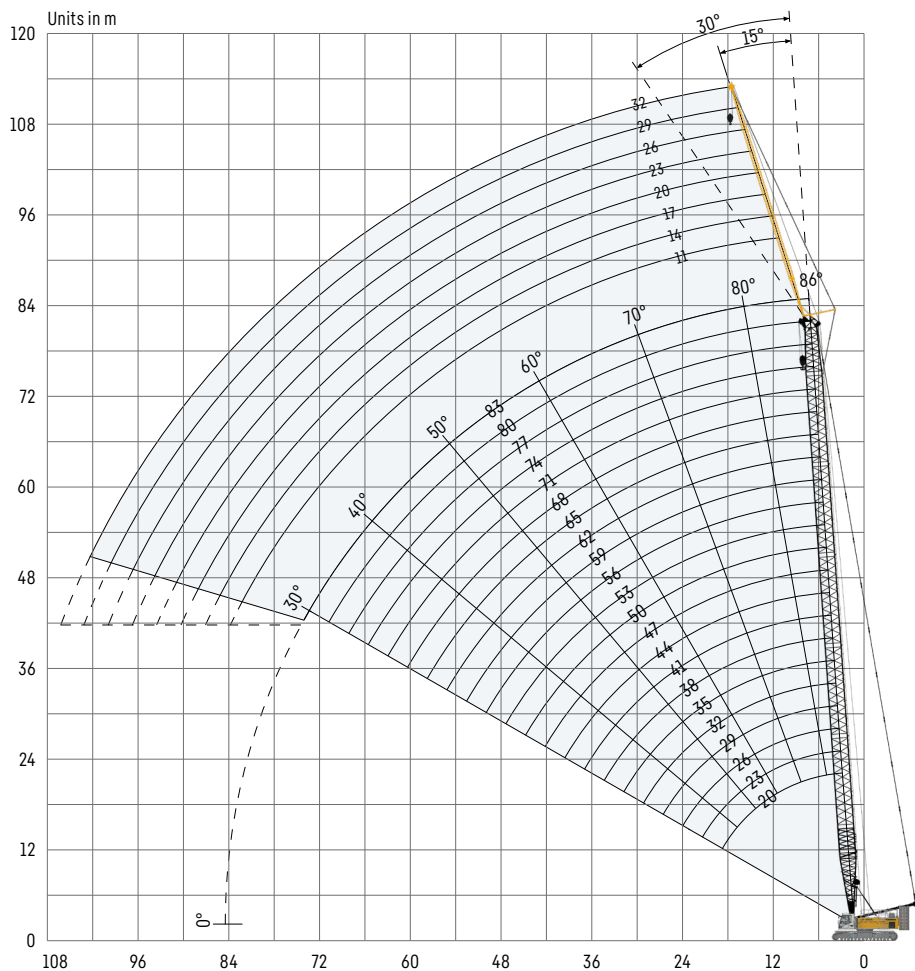
Radius [m]	Jib length [m]		
	11	14	17
10.3	24.2		
13	23.3	21.0	
14	22.4	21.0	18.5
22	17.7	16.9	15.9
30	15.3	14.6	14.1
40	13.6	13.4	12.8
42	12.9	12.8	12.7
46	11.1	11.4	11.6
60	6.0	6.2	6.5
65	4.7	4.9	5.2
75	2.6	2.8	3.0
80			2.1

82.3 t rear counterweight and 36 t carbody counterweight

TLT 13147978. Above load charts are for reference only. For actual lift duty please refer to load chart in operator's cabin or manual. Otherwise we recommend you to plan your lifting job using Crane Planner 2.0.

# Fixed jib 0806.xx

## Jib lengths 11-32 m



### Jib configuration 0806.xx

Jib section	Amount of jib sections							
Jib foot 5.5 m	1	1	1	1	1	1	1	1
Jib section 3 m		1		1		1		1
Jib section 6 m			1	1	2	2	3	3
Jib head 5.5 m	1	1	1	1	1	1	1	1
<b>Jib length [m]</b>	<b>11</b>	<b>14</b>	<b>17</b>	<b>20</b>	<b>23</b>	<b>26</b>	<b>29</b>	<b>32</b>

For main boom configuration please refer to the table on page 18.

## Load capacities with fixed jib 15°

Load capacities in [t] with 20 m main boom

Radius [m]	Jib length [m]				
	11	17	23	29	32
11	20.5				
13	19.6	12.5			
16	18.4	11.8	9.1	6.5	
18	17.7	11.3	8.8	6.2	5.1
20	15.1	9.7	7.5	5.2	4.1
28	14.6	9.5	7.3	5.0	4.0
36		8.6	6.8	4.6	3.6
38			6.5	4.5	3.5
42			6.0	4.3	3.3
46				4.2	3.2
48				4.1	3.2
50					3.1

82.3 t rear counterweight and 36 t carbody counterweight

Load capacities in [t] with 35 m main boom

Radius [m]	Jib length [m]				
	11	17	23	29	32
9	22.3				
11	21.7	13.4			
12	21.3	13.1	9.6		
14	20.9	12.7	9.4	6.7	
16	20.2	12.3	9.2	6.5	5.3
28	17.3	10.5	8.0	5.5	4.3
40	15.1	9.4	7.1	4.7	3.7
42	14.7	9.3	7.0	4.6	3.6
44		9.0	6.9	4.5	3.5
48		8.7	6.6	4.4	3.4
55			6.0	4.2	3.2
60				4.1	3.1

82.3 t rear counterweight and 36 t carbody counterweight

Load capacities in [t] with 50 m main boom

Radius [m]	Jib length [m]				
	11	17	23	29	32
6.7	20.8				
10	20.2	12.5			
12	19.9	12.2	8.7		
14	19.4	11.9	8.5	6.0	
16	19.1	11.7	8.4	5.9	4.9
32	17.1	10.2	7.5	5.1	4.1
46	13.1	9.4	6.9	4.6	3.6
48	12.2	9.3	6.9	4.5	3.5
60		8.7	6.4	4.1	3.2
65			6.1	4.1	3.1
70				4.0	3.1
75					3.1

82.3 t rear counterweight and 36 t carbody counterweight

Load capacities in [t] with 65 m main boom

Radius [m]	Jib length [m]				
	11	17	23	29	32
7.2	18.1				
10	17.8	11.4			
13	17.5	11.2	7.6		
16	17.2	11.0	7.5	5.2	4.3
34	15.9	9.9	6.8	4.7	3.9
50	10.6	9.2	6.4	4.4	3.5
60	7.3	7.8	6.3	4.2	3.4
65	6.0	6.5	6.2	4.1	3.3
75		4.5	4.9	4.0	3.1
80			4.1	4.0	3.1
85				3.7	3.1
90					3.1

82.3 t rear counterweight and 36 t carbody counterweight

Load capacities in [t] with 83 m main boom

Radius [m]	Jib length [m]				
	11	14	17	20	23
8	13.6				
10	13.4	10.5			
11	13.4	10.5	8.2		
12	13.3	10.4	8.1	6.8	
13	13.1	10.4	8.1	6.8	5.5
30	12.0	9.5	7.6	6.5	5.2
46	10.8	9.1	7.2	6.2	5.1
65	4.8	5.1	5.4	5.6	4.9
70	3.8	4.0	4.3	4.5	4.7
75	2.8	3.1	3.3	3.6	3.8
80	2.0	2.3	2.5	2.7	2.9
85					2.2

82.3 t rear counterweight and 36 t carbody counterweight

TLT 13147978. Above load charts are for reference only. For actual lift duty please refer to load chart in operator's cabin or manual. Otherwise we recommend you to plan your lifting job using Crane Planner 2.0.



[www.liebherr.com/CranePlanner](http://www.liebherr.com/CranePlanner)

**Crane Planner 2.0**

# Load capacities with fixed jib 30°

Load capacities in [t] with 20 m main boom

Radius [m]	Jib length [m]				
	11	17	23	29	32
13	17.6				
16	16.8	10.6			
18	16.4	10.4			
20	16.0	10.1	7.8		
22	15.5	9.9	7.6	5.3	
30	12.9	8.8	6.8	4.7	3.7
36		8.0	6.1	4.4	3.4
42			5.7	4.2	3.3
44				4.2	3.2
46				4.2	3.1
48				4.1	3.1
50					3.1

82.3 t rear counterweight and 36 t carbody counterweight

Load capacities in [t] with 35 m main boom

Radius [m]	Jib length [m]				
	11	17	23	29	32
11	18.9				
14	18.2	11.1			
18	17.4	10.6	8.1		
22	16.7	10.3	7.8	5.4	4.2
34	14.2	9.4	7.0	4.7	3.7
44	11.0	8.4	6.2	4.4	3.3
46		8.2	6.0	4.3	3.3
48		8.0	5.9	4.3	3.3
50		8.0	5.9	4.3	3.2
55			5.7	4.2	3.2
60				4.2	3.1
65					3.1

82.3 t rear counterweight and 36 t carbody counterweight

Load capacities in [t] with 50 m main boom

Radius [m]	Jib length [m]				
	11	17	23	29	32
9.4	18.0				
14	17.5	10.7			
18	17.2	10.4	7.6		
22	16.9	10.1	7.5	5.2	
24	16.8	10.1	7.4	5.1	4.0
36	15.6	9.5	7.0	4.7	3.6
46	13.4	8.9	6.6	4.4	3.4
55	9.7	8.3	6.0	4.2	3.2
60		8.1	5.9	4.2	3.2
65			5.7	4.1	3.1
70				4.1	3.1
75				4.1	3.1

82.3 t rear counterweight and 36 t carbody counterweight

Load capacities in [t] with 65 m main boom

Radius [m]	Jib length [m]				
	11	17	23	29	32
9.9	16.3				
14	16.1	10.1			
18	16.0	9.9	7.0		
22	15.8	9.8	6.9	4.7	
24	15.8	9.7	6.8	4.7	3.9
36	15.4	9.3	6.7	4.5	3.6
48	11.7	9.1	6.5	4.4	3.4
70	5.0	5.6	5.9	4.2	3.2
75		4.6	5.1	4.2	3.2
80			4.2	4.2	3.2
85				3.8	3.2
90					3.2

82.3 t rear counterweight and 36 t carbody counterweight

Load capacities in [t] with 83 m main boom

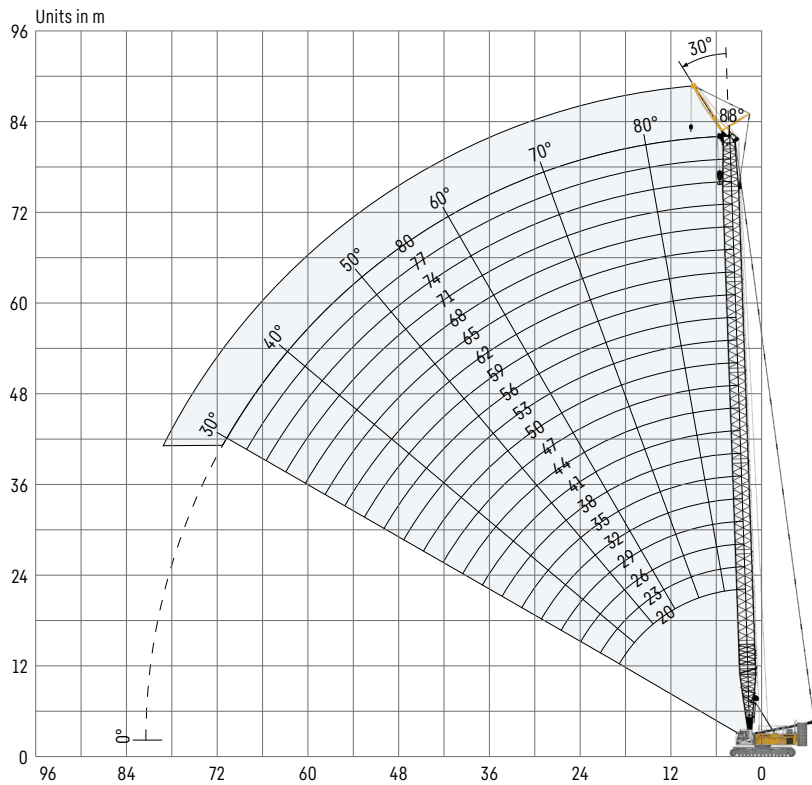
Radius [m]	Jib length [m]				
	11	14	17	20	23
10.5	12.7				
13	12.6	10.1			
16	12.4	10.0	7.9		
18	12.3	9.9	7.8	6.8	5.5
34	11.8	9.6	7.6	6.7	5.4
48	10.4	9.5	7.5	6.6	5.3
50	9.6	9.4	7.5	6.6	5.3
55	7.9	8.2	7.5	6.6	5.3
60	6.4	6.7	7.0	6.6	5.3
65	5.1	5.4	5.7	6.0	5.3
80	2.1	2.4	2.7	2.9	3.2
85				2.1	2.4

82.3 t rear counterweight and 36 t carbody counterweight

TLT 13147978. Above load charts are for reference only. For actual lift duty please refer to load chart in operator's cabin or manual. Otherwise we recommend you to plan your lifting job using Crane Planner 2.0.

# Fixed jib 0906.21

## Jib length 7 m



The jib length is 7 m, for main boom configuration please refer to the table on page 18.

## Load capacities with fixed jib 30°

Load capacities in [t] with 20 m main boom

Radius [m]	Jib length 7 m
10	59.2
11	57.6
12	56.2
13	54.7
14	53.6
16	51.6
18	50.0
20	44.3
22	39.0
24	34.6
26	30.9

82.3 t rear counterweight and 36 t carbody counterweight

Load capacities in [t] with 35 m main boom

Radius [m]	Jib length 7 m
9	56.7
11	53.3
13	50.4
16	47.1
20	43.5
24	34.2
28	27.6
32	22.8
36	19.1
38	17.6
40	16.2

82.3 t rear counterweight and 36 t carbody counterweight

Load capacities in [t] with 50 m main boom

Radius [m]	Jib length 7 m
7.9	50.6
9	49.9
11	47.8
16	43.1
24	33.3
28	26.8
32	22.0
36	18.4
40	15.5
44	13.1
50	10.3

82.3 t rear counterweight and 36 t carbody counterweight

Load capacities in [t] with 65 m main boom

Radius [m]	Jib length 7 m
8.4	39.1
10	38.4
14	34.4
22	28.8
30	23.1
38	16.1
46	11.4
50	9.6
55	7.8
60	6.2
65	4.9

82.3 t rear counterweight and 36 t carbody counterweight

Load capacities in [t] with 80 m main boom

Radius [m]	Jib length 7 m
9	26.4
16	23.9
26	19.3
36	15.9
44	11.3
48	9.5
50	8.7
55	6.8
60	5.3
65	4.0
70	2.9

82.3 t rear counterweight and 36 t carbody counterweight

TLT 13147978. Above load charts are for reference only. For actual lift duty please refer to load chart in operator's cabin or manual. Otherwise we recommend you to plan your lifting job using Crane Planner 2.0.



[www.liebherr.com/CranePlanner](http://www.liebherr.com/CranePlanner)

 **Crane Planner 2.0**



Download datasheet



Please contact us.

Liebherr-Werk Nenzing GmbH · Dr. Hans Liebherr Str. 1 · 6710 Nenzing, Austria  
Phone +43 50809 41-473 · crawler.crane@liebherr.com · www.liebherr.com  
facebook.com/LiebherrConstruction