

Technical data
Hydraulic lift crane

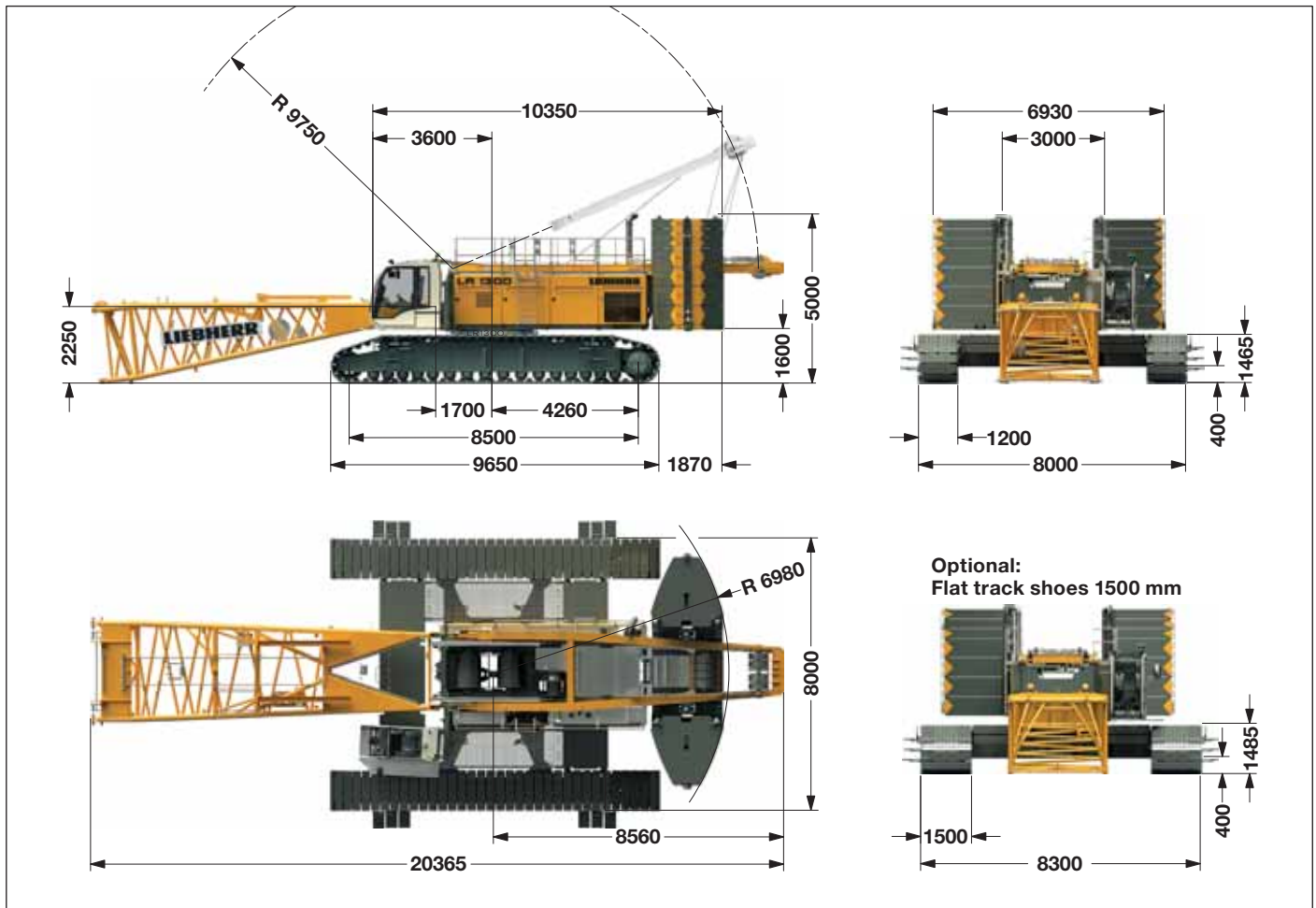
LR 1300
Litronic®



LIEBHERR

Dimensions

Basic machine with undercarriage



Operating weight

The operating weight includes the basic machine with crawlers, 2 main winches 150 kN and 20 m main boom, consisting of A-frame, boom foot (10 m), boom head (7 m), boom extension (3 m), 124 t basic counterweight, 57 t carbody counterweight and 300 t hook block.

Total weight _____ approx. 290 t

Ground pressure

Ground bearing pressure _____ 1.45 kg/cm²

Equipment

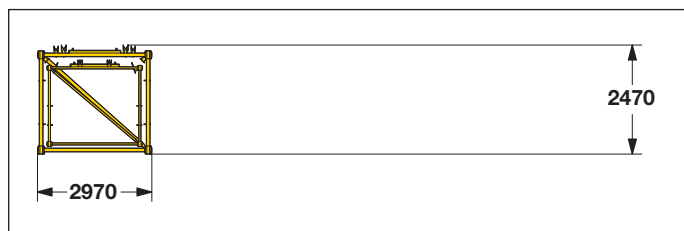
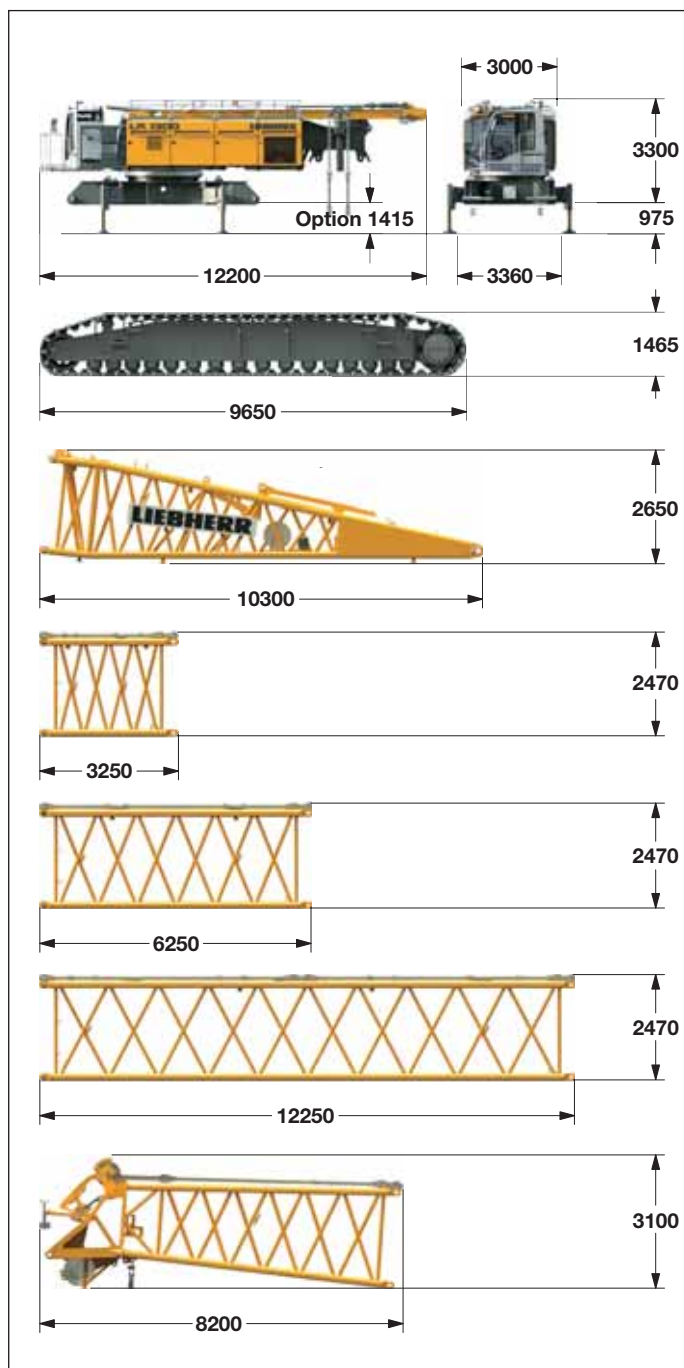
Main boom (No. 2821.xx) max. length _____ 98 m
 High reach boom (No. 2821.xx and 2316.xx) _____ 123 m
 Luffing jib (No. 2316.xx) max. length _____ 113 m
 Max. combination _____ main boom 59 m and luffing jib 113 m
 Auxiliary jib _____ 36 t

Remarks

1. The lifting capacities stated are valid for lifting operation only (corresponding with crane classification according to F.E.M. 1.001. crane group A1).
2. Crane standing on firm, horizontal ground.
3. The weight of the lifting device (hoisting ropes, hook block, shackle etc.) must be deducted from the gross lifting capacity to obtain a net lifting value.
4. Additional equipment on boom (e.g. boom walkways, auxiliary jib) must be deducted to get the net lifting capacity.
5. For max. wind speed please refer to lift chart in operator's cab or manual.
6. Working radii are measured from center of swing and under load.
7. The lifting capacities are valid for 360 degrees of swing.
8. Calculation of stability under load is based on DIN 15019 / part 2 / chart 1 and ISO 4305 Table 1 + 2, tipping angle 4°.
9. The structures are calculated according to F.E.M. 1.001 - 1998 (EN 13001-1; EN 13001-2).

Transport dimensions and weights

Basic machine and boom (No. 2821.xx)



*) Including pendants

Basic machine

with A-frame, 2x 150 kN crane winches without boom foot, hoist ropes, basic counterweight and crawlers

Width	3000 mm
Weight	46000 kg
Weight of hoist rope	4.1 kg/m

Crawler

	Optional	Standard
Flat track shoes	1500 mm	1200 mm
Width	1500 mm	1400 mm
Weight	26200 kg	22350 kg

Boom foot (No. 2821.30)

Width	2970 mm
Weight without winch	5700 kg
Weight incl. winch and rope	7400 kg

Boom section (No. 2821.24) 3 m

Width	2970 mm
Weight*	1200 kg

Boom section (No. 2821.24) 6 m

Width	2970 mm
Weight*	1900 kg

Boom section (No. 2821.24) 12 m

Width	2970 mm
Weight*	3350 kg

Boom head (No. 2821.24)

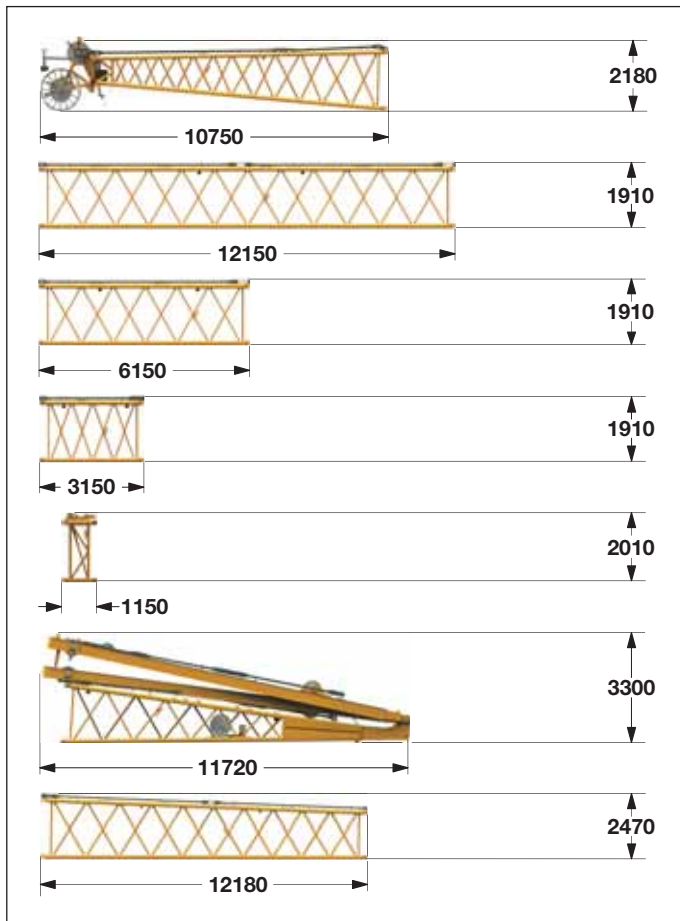
Width	2970 mm
Weight*	5400 kg

Boom - luffing jib transport option

No. 2821.xx/2316.xx	12/12	6/6	3/3 m
Length	12500	6250	3250 mm
Weight*	5150	2850	1810 kg

Transport dimensions and weights

Luffing jib (No. 2316.xx)



Luffing jib head (No. 2316.20)

Width	2430 mm
Weight*	2300 kg

Luffing jib section (No. 2316.20) **12 m**

Width	2430 mm
Weight*	1800 kg

Luffing jib section (No. 2316.20) **6 m**

Width	2430 mm
Weight*	950 kg

Luffing jib section (No. 2316.20) **3 m**

Width	2430 mm
Weight*	600 kg

L - boom jib section (No. 2316.20) **1 m**

Width	2430 mm
Weight*	640 kg

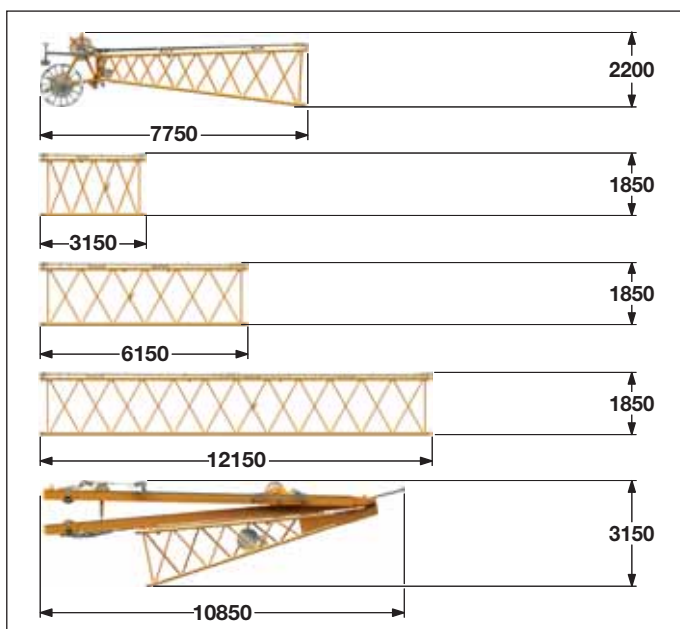
Luffing jib foot with A-frames (No. 2316.22)

Width	2670 mm
Weight*	8060 kg

L - boom section tapered (No. 2821/2316.24) **12 m**

Width	2970 mm
Weight*	2700 kg

Luffing jib (No. 1916.xx)



Luffing jib head (No. 1916.21)

Width	2010 mm
Weight*	1550 kg

Luffing jib section (No. 1916.18) **12 m**

Width	2010 mm
Weight*	1250 kg

Luffing jib section (No. 1916.18) **6 m**

Width	2010 mm
Weight*	690 kg

Luffing jib section (No. 1916.18) **3 m**

Width	2010 mm
Weight*	475 kg

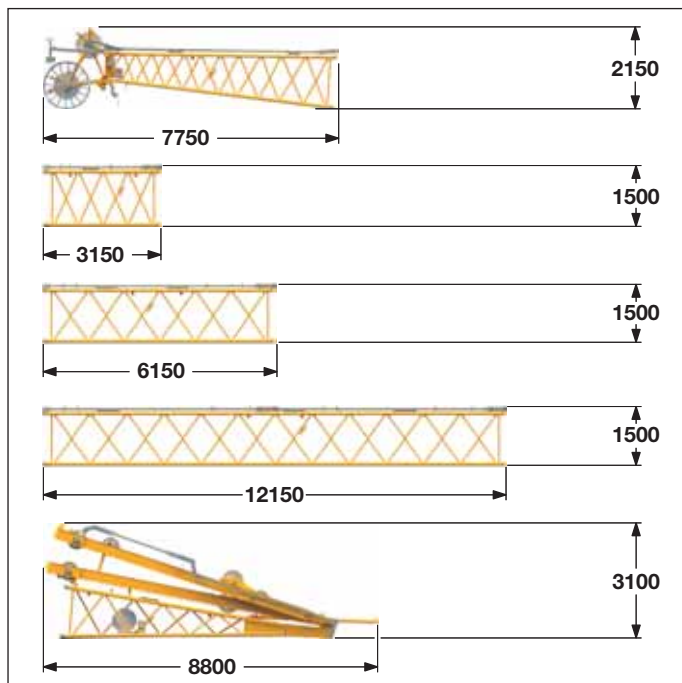
Luffing jib foot with A-frames (No. 1916.22)

Width	2010 mm
Weight*	6300 kg

*) Including pendants

Transport dimensions and weights

Fixed jib (No. 1713.xx)



Fixed jib head (No. 1713.21)

Width	1820 mm
Weight*	1375 kg

Fixed jib section (No. 1713.18) **12 m**

Width	1820 mm
Weight*	1140 kg

Fixed jib section (No. 1713.18) **6 m**

Width	1820 mm
Weight*	630 kg

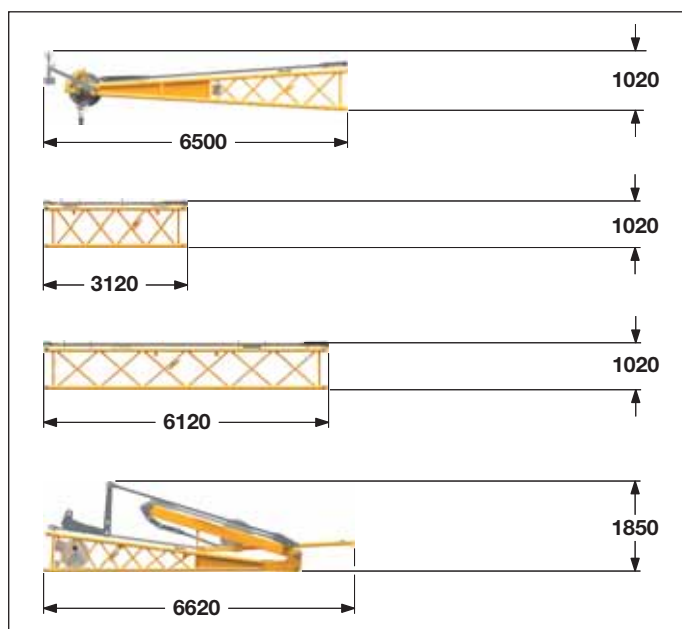
Fixed jib section (No. 1713.18) **3 m**

Width	1820 mm
Weight*	420 kg

Fixed jib foot with A-frame (No. 1713.22)

Width	2450 mm
Weight*	4620 kg

Fixed jib (No. 1008.xx)



Fixed jib head (No. 1008.20)

Width	1090 mm
Weight*	920 kg

Fixed jib section (No. 1008.17) **6 m**

Width	1090 mm
Weight*	630 kg

Fixed jib section (No. 1008.17) **3 m**

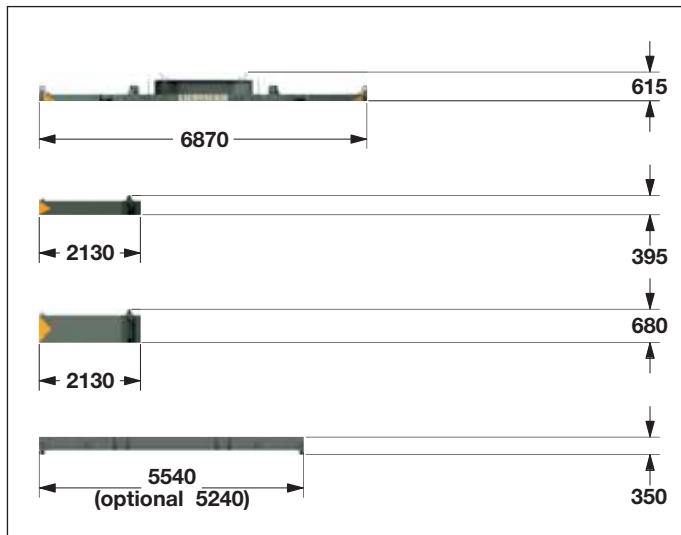
Width	1090 mm
Weight*	300 kg

Fixed jib foot with A-frame (No. 1008.20)

Width	2200 mm
Weight*	1950 kg

Transport dimensions and weights

Counterweights



Counterweight **1x**

Width	2110 mm
Weight	14500 kg

Counterweight **6x**

Width	2110 mm
Weight	5000 kg

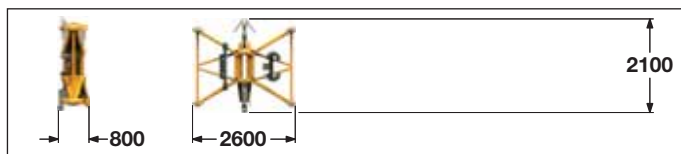
Counterweight **8x**

Width	2110 mm
Weight	10000 kg

Carbody counterweight **4x**

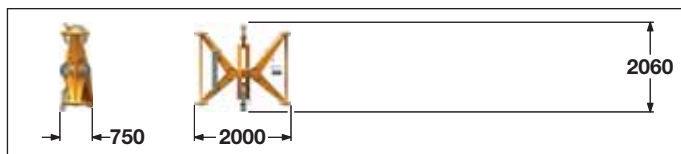
	Optional	Standard
Width	1500 mm	1200 mm
Weight	13400 kg	14250 kg

Mid fall (optional)



Mid fall section (No. 2316.25) **0.5 m**

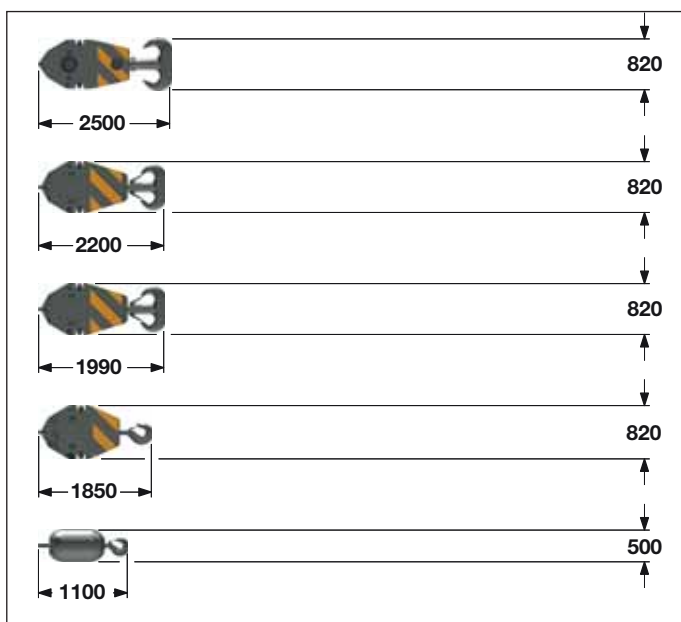
Width	800 mm
Weight	690 kg



Mid fall section (No. 1916.32) **0.5 m**

Width	750 mm
Weight	685 kg

Hooks



300 t hook block - 11 sheaves

Width	880	1230 mm
Weight	3200	5500 kg

150 t hook block - 5 sheaves

Width	500	660	820 mm
Weight	1600	2800	4000 kg

100 t hook block - 3 sheaves

Width	340	480	620 mm
Weight	1100	2050	3000 kg

50 t hook block - 1 sheave

Width	280	410	540 mm
Weight	800	1600	2400 kg

16 t single hook

Width	500 mm
Weight	900 kg

Technical description



Engine

Power rating according to ISO 9249, 390 kW (523 hp) at 1700 rpm
Engine type _____ Liebherr D 946 A7-04
Fuel tank _____ 750 l capacity with continuous level indicator and reserve warning
Engine complies with NRRM exhaust certification EPA/CARB Tier 4f and 97/68 EC Stage IV.



Hydraulic system

An axial displacement pump supplies the open loop hydraulic system for boom luffing, jib luffing and travel. The main hoist winches and swing are operated in a closed loop system. All functions can be operated simultaneously. To minimize peak pressure an automatic working pressure cut-off has been installed. All filters are electronically monitored.
The use of synthetic environmentally friendly (biodegradable) oils is possible.
Working pressure _____ max. 350 bar
Oil tank capacity _____ 820 l



Luffing jib winch

Line pull _____ max. 105 kN
Rope diameter _____ 20 mm
Jib luffing _____ 69 sec. from 15° to 78°



Boom winch

Line pull _____ max. 217 kN
Rope diameter _____ 24 mm
Boom up _____ 127 sec. from 15° to 86°



Swing

Consists of rollerbearing with external teeth, swing drive with fixed axial piston hydraulic motor, spring loaded and hydraulically released multi-disc holding brake, planetary gearbox and pinion.
Both swing modes are possible – speed control or free swing.
A multi-disc holding brake acts automatically at zero swing motion.
Swing speed from 0 – 1.8 rpm continuously variable.



Main winches

Line pull (1st layer) _____ max. 215 kN
Line pull (7th layer) _____ 150 kN
Rope diameter _____ 28 mm
Drum diameter _____ 730 mm
Rope speed m/min _____ 0 – 138
Rope capacity in 7 layers _____ 570 m
The winches are outstanding in their compact design and easy assembly.
Propulsion is via a planetary gearbox in an oil bath.
Load support by the hydraulic system; additional safety factor provided by a spring loaded, multi-disc holding brake.
The main winches use pressure controlled, variable flow hydraulic motors.
This system features sensors that automatically adjust oil flow to provide max. winch speed depending on load.
Option – winch with freefall system:
Clutch and braking functions on the freefall system are provided by a compact designed, low wear and maintenance free multi-disc brake.



Crawlers

Propulsion through axial piston motor, hydraulically released spring loaded multi-disc brake, crawler tracks, hydraulic chain tensioning device.
Flat track shoes _____ 1200 mm (optional 1500 mm)
Drive speed _____ 0 – 1.3 km/h



Control

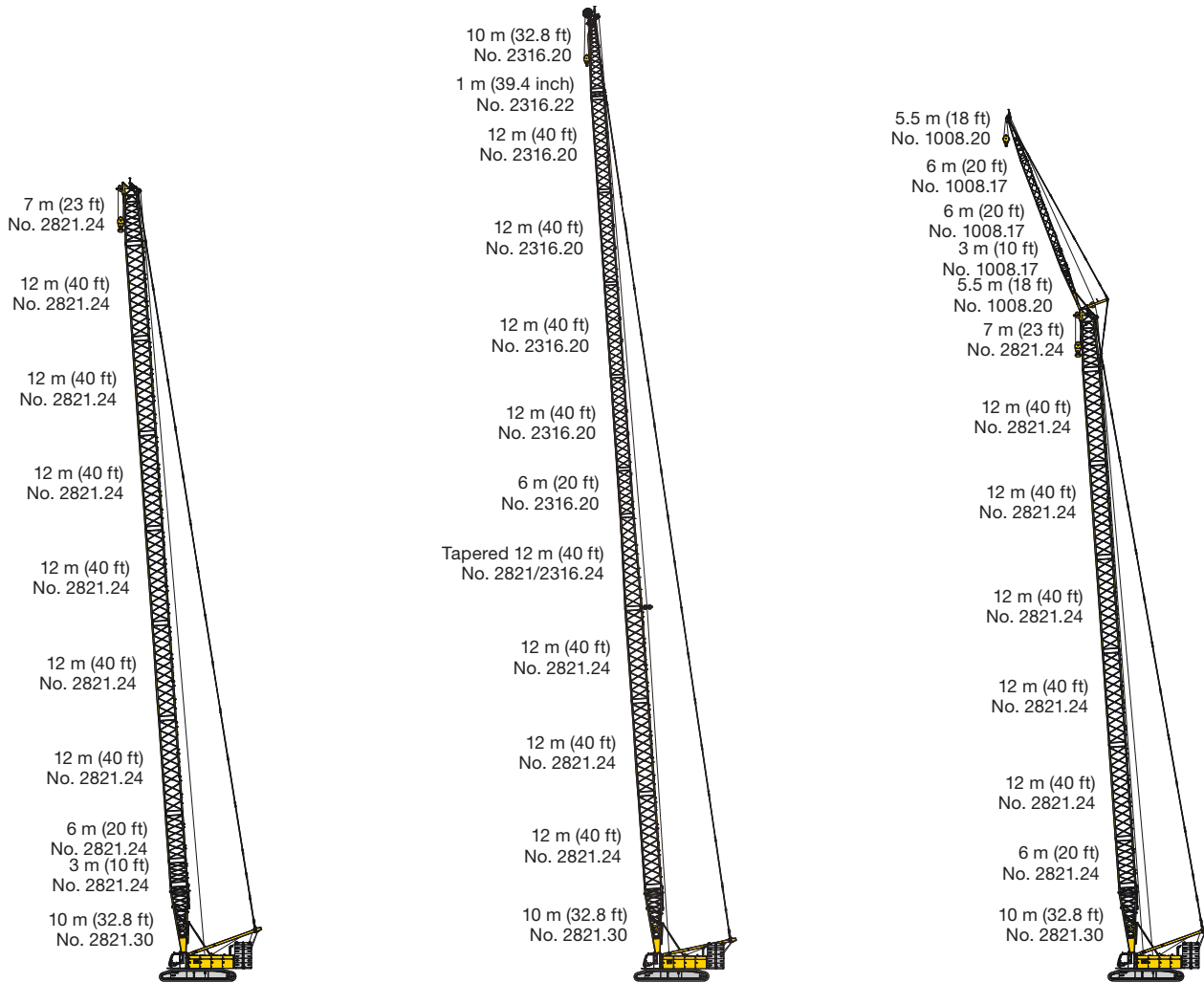
The control system – developed and manufactured by Liebherr – is designed to withstand extreme environmental conditions such as temperature, vibration and electromagnetic interference and to meet all requirements that are needed in heavy duty crane operation.
Complete machine operating data are shown on a high resolution display. Standard operational information is displayed by means of graphical symbols, fault indications are displayed in plain text (more than 15 languages available).
The cranes are equipped with proportional control for all main movements, which can be carried out simultaneously.
The crane is operated with 2 multi-directional joysticks, the right for winch I and boom, the left for winch II and swing control.
Option:
Bi-directional double T-levers for simultaneous boom and luffing jib operation.
The crawlers are activated by the two foot pedals. Additionally, hand levers can be attached to the pedals.
Remote control for assembly of counterweight and boom hinge pins.



Noise emission

Noise emissions correspond with 2000/14/EC directive on noise emission by equipment used outdoors.

Boom combinations



Main boom No.2821.xx — 98 m

Max. combination — 123 m

Max. combination — 109 m

Main boom No.2321.xx — 46 m

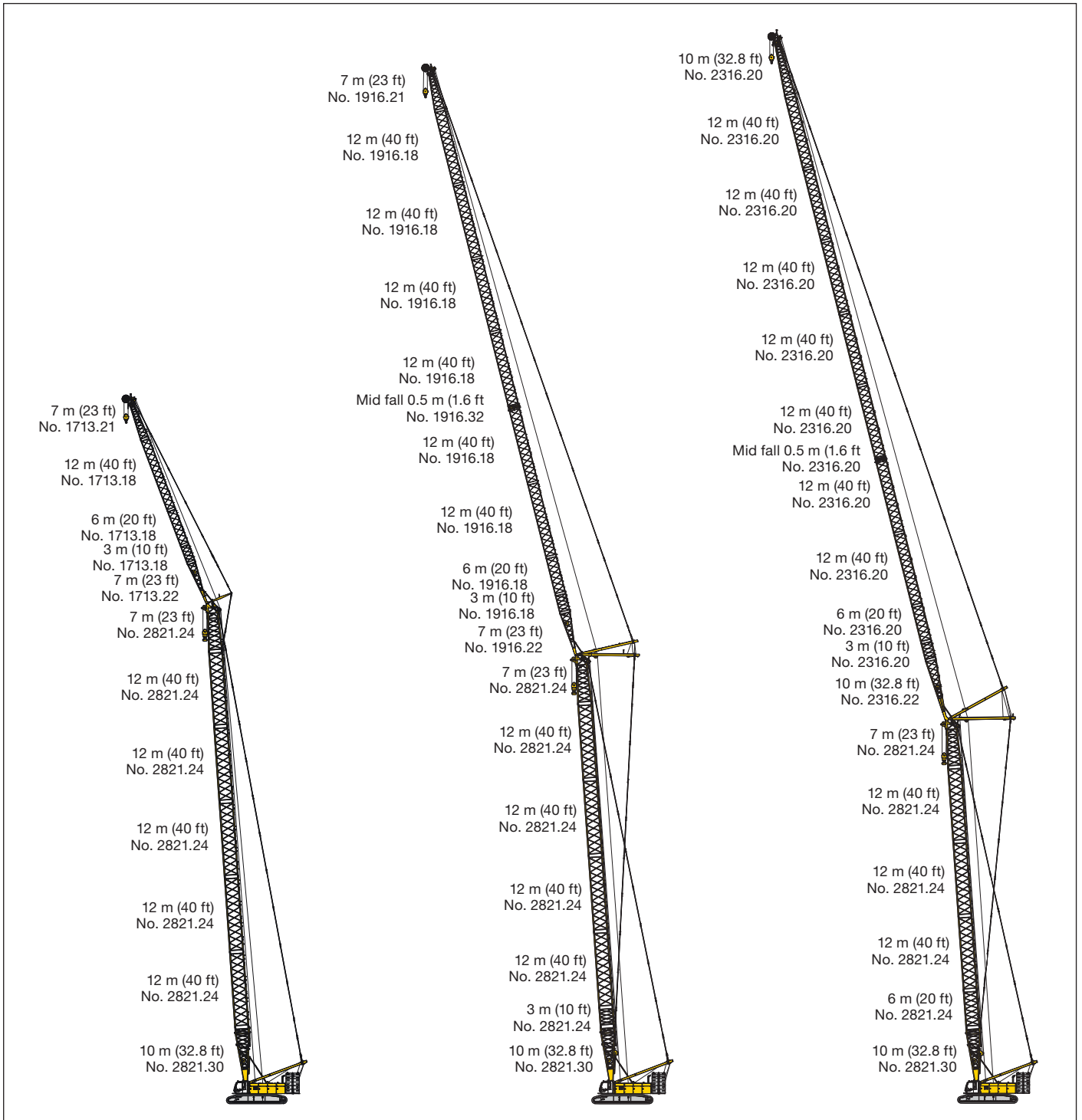
Main boom No. 2821.xx — 83 m

Tapered No.2821/2316.xx — 12 m

Luffing jib No.2316.xx — 65 m

Fixed jib No. 1008.xx — 26 m

Boom combinations

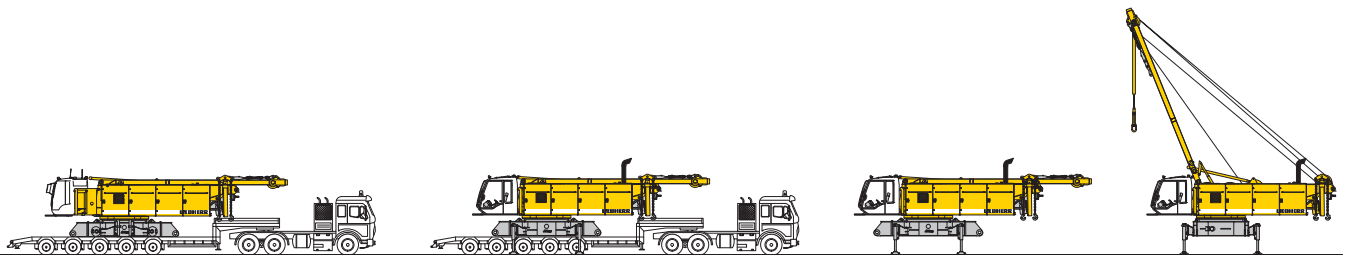


Max. combination	112 m
Main boom No. 2821.xx	77 m
Fixed jib No. 1713.xx	35 m

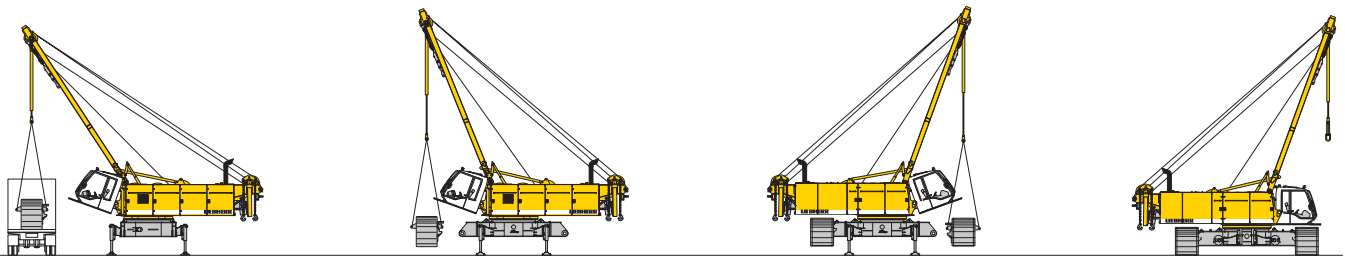
Max. combination	163 m
Main boom No. 2821.xx	68 m
Luffing jib No. 1916.xx	95 m
Main boom No. 2821.xx	74 m
Luffing jib No. 1916.xx	53 m

Max. combination	172 m
Main boom No. 2821.xx	59 m
Luffing jib No. 2316.xx	113 m
Main boom No. 2821.xx	71 m
Luffing jib No. 2316.xx	44 m

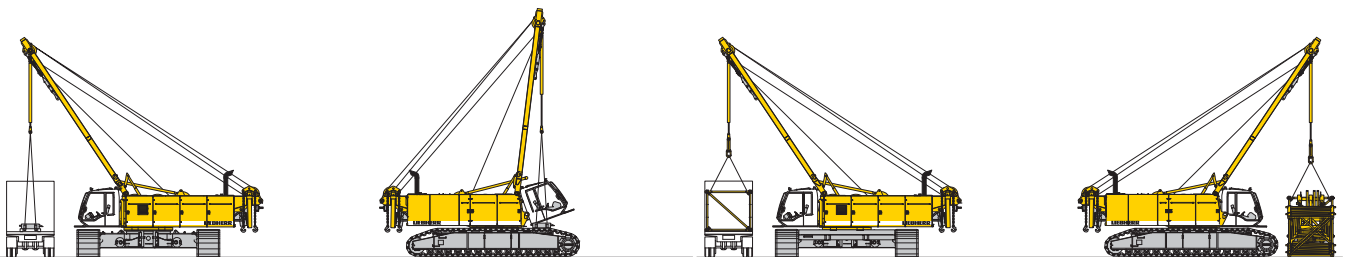
Self assembly system



Unloading of basic machine

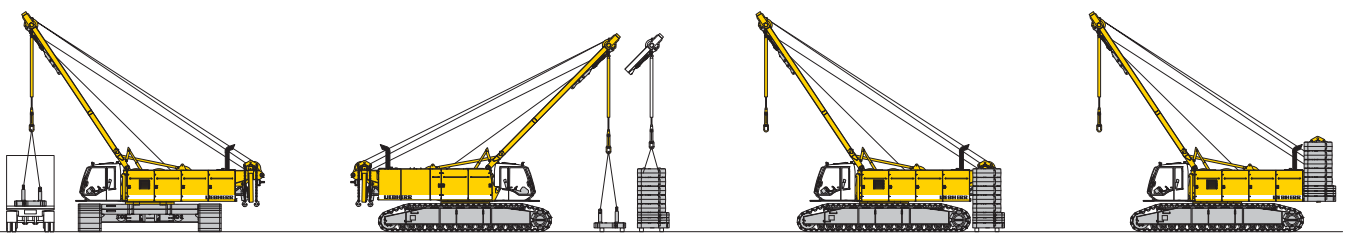


Unloading and assembly of crawlers



Unloading and assembly of carbody counterweight

Unloading and assembly of boom

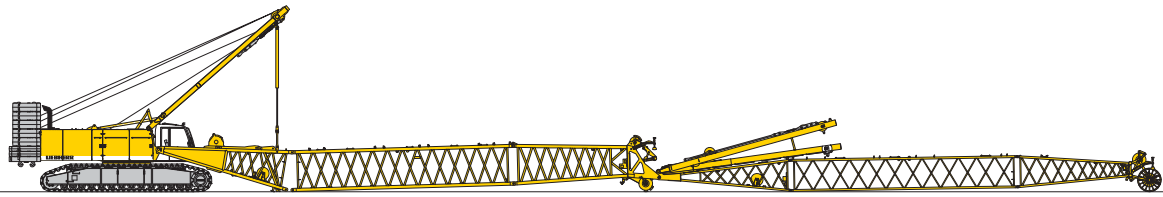


Unloading and assembly of counterweight

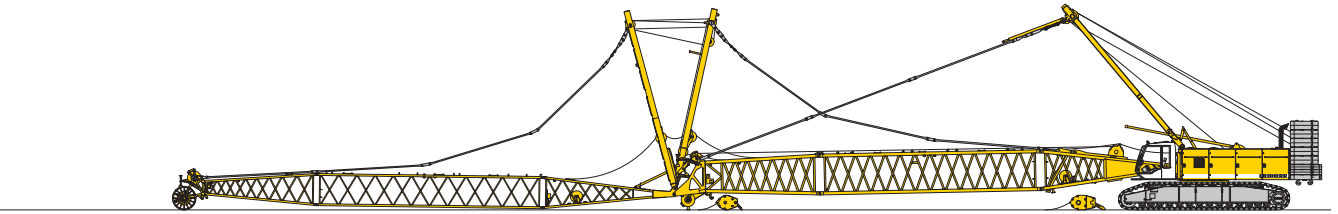


Unloading and assembly of boom foot

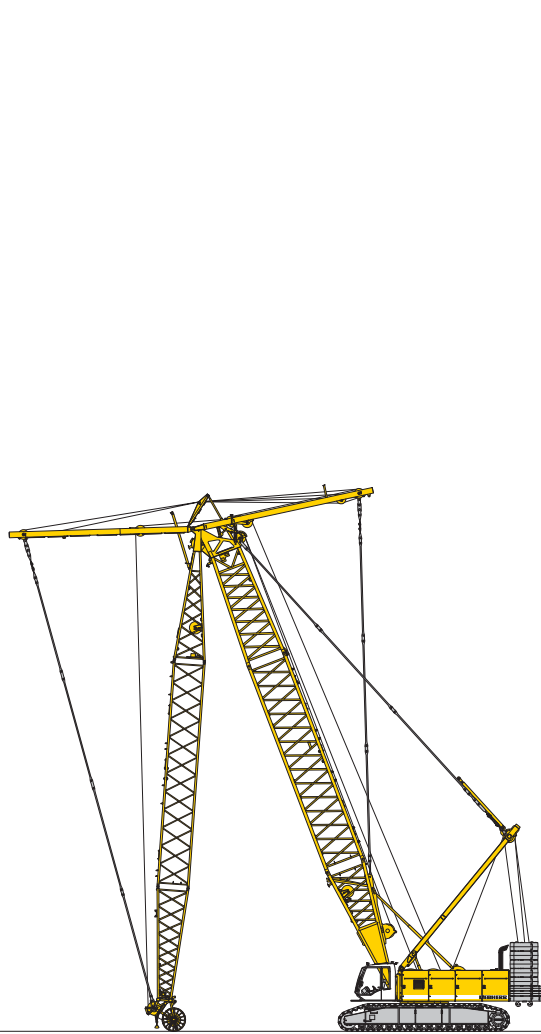
Erecting of main boom to working position



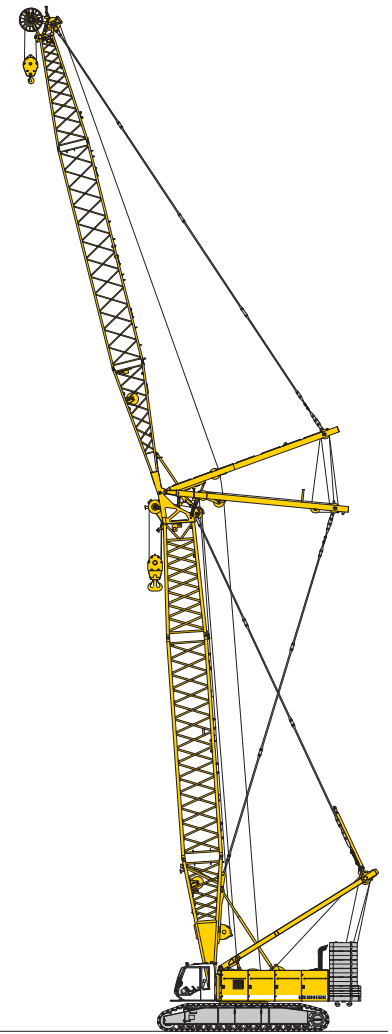
Assembly of boom



Reeving of hoist and luffing jib ropes



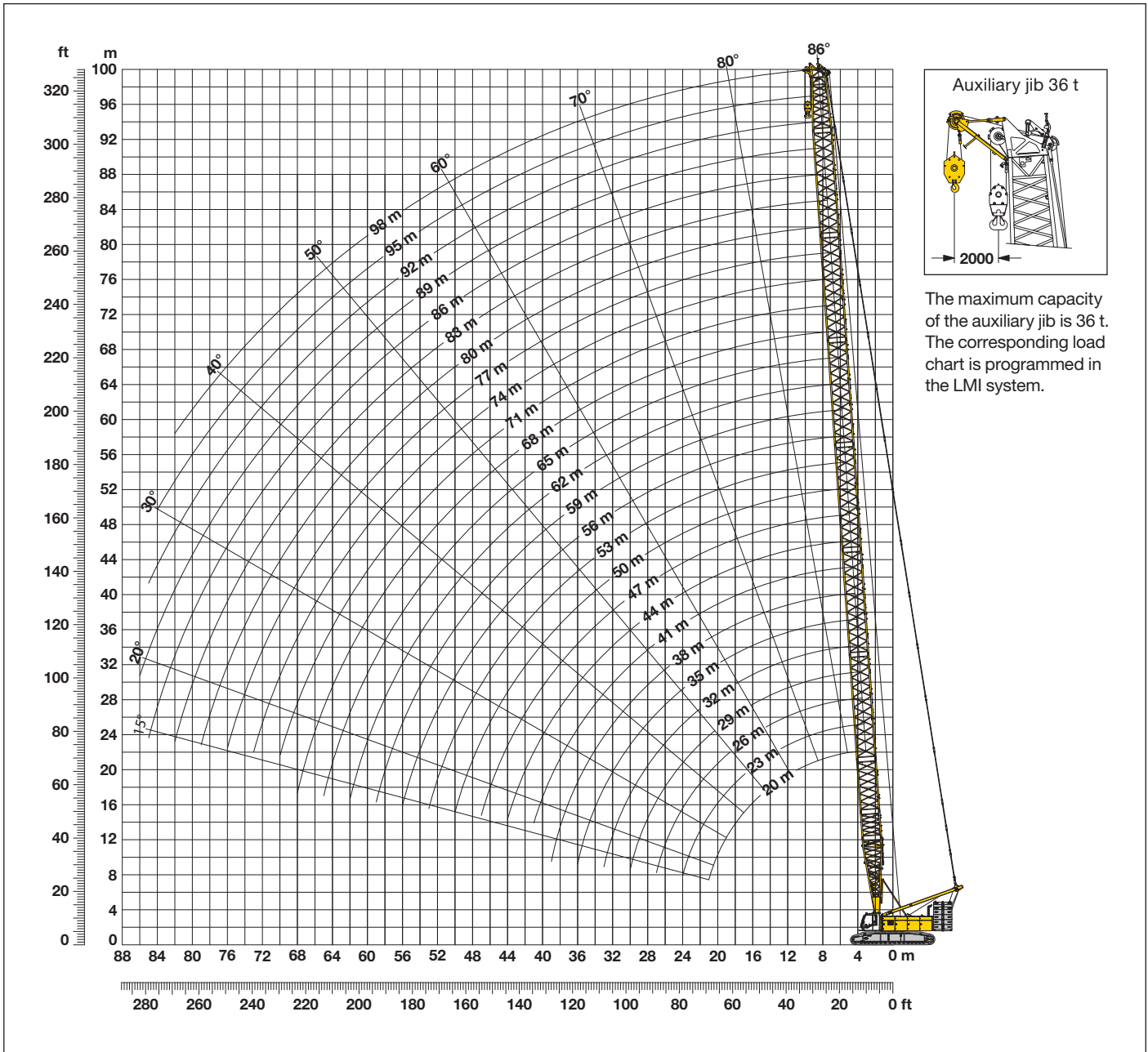
Erecting of main boom and luffing jib



Working position

Working range - main boom (No. 2821.xx) **86° - 15°**

124 t counterweight and 57 t carbody counterweight



Main boom configuration (Table 1 – No. 2821.xx)

Configuration for boom lengths (20 m- 98 m)

Length	Amount of boom extensions																																		
	10 m	12 m	15 m	18 m	21 m	24 m	27 m	30 m	33 m	36 m	39 m	42 m	45 m	48 m	51 m	54 m	57 m	60 m	63 m	66 m	69 m	72 m	75 m	78 m	81 m	84 m	87 m	90 m	93 m	96 m	98 m				
Boom foot	1	1	1	1	1	1	1	1	1	1	1	1	1	1	1	1	1	1	1	1	1	1	1	1	1	1	1	1	1	1	1	1	1	1	
Boom insert																																			
Boom insert																																			
Boom insert																																			
Boom head																																			
Boom length (m)	20	23	26	29	32	35	38	41	44	47	50	53	56	59	62	65	68	71	74	77	80	83	86	89	92	95	98								

Lift chart for main boom (No. 2821.xx)

104 t counterweight and 57 t carbody counterweight

Traglasten in t für Auslegerlängen von 20 m bis 95 m – mit 150 kN Winden

Radius	Boom length in (m)															Radius
	20	23	26	32	38	44	50	56	62	68	74	80	86	92	95	
(m)	t	t	t	t	t	t	t	t	t	t	t	t	t	t	t	(m)
4.3	286.2															4.3
5	286.2	300.5	296.8													5
6	258.4	259.3	257.5	245.6	237.4	212.6										6
7	225.6	225.6	222.7	216.1	207.6	198.5	189.6	169.5								7
8	196.1	196.0	195.7	191.4	185.2	179.2	169.5	162.2	150.4	127.8						8
9	173.1	173.0	172.7	172.4	166.5	161.0	153.6	145.9	138.9	125.7	109.1	97.2	83.6			9
10	154.6	154.6	154.3	154.0	151.6	144.3	137.4	131.1	125.1	118.3	104.7	96.5	83.6	73.1	67.8	10
16	89.3	89.5	89.4	89.5	88.7	85.6	82.5	79.6	76.8	74.1	71.4	68.9	66.4	62.2	59.0	16
20	65.4	65.7	65.7	65.7	65.4	65.2	64.1	62.0	59.9	57.9	55.9	54.0	52.1	50.3	49.4	20
24		51.0	51.1	51.2	50.9	50.6	50.2	49.8	48.4	46.8	45.2	43.7	42.1	40.6	39.8	24
26			45.7	45.9	45.6	45.3	44.8	44.5	44.0	42.5	41.0	39.6	38.1	36.7	36.0	26
32				34.2	34.0	33.8	33.3	32.9	32.4	31.9	31.4	30.2	29.0	27.8	27.2	32
38					26.3	26.2	25.8	25.4	24.8	24.4	23.8	23.3	22.5	21.5	21.0	38
44						20.7	20.4	20.0	19.5	19.0	18.5	18.0	17.4	16.8	16.2	44
50							16.3	16.0	15.5	15.1	14.6	14.1	13.5	13.0	12.7	50
55								13.4	13.0	12.5	12.0	11.5	10.9	10.4	10.1	55
60									10.7	10.3	9.8	9.3	8.7	8.2	7.9	60
65										8.5	8.0	7.5	6.9	6.4	6.1	65
70											6.4	5.9	5.3	4.8	4.6	70
75												4.6	4.0	3.4	3.0	75
80													2.6			80

TLT xxxxxxxx - Nxxxxxx Offiziell

Lift chart for main boom (No. 2821.xx)

124 t counterweight and 57 t carbody counterweight

Traglasten in t für Auslegerlängen von 20 m bis 98 m – mit 150 kN Winden

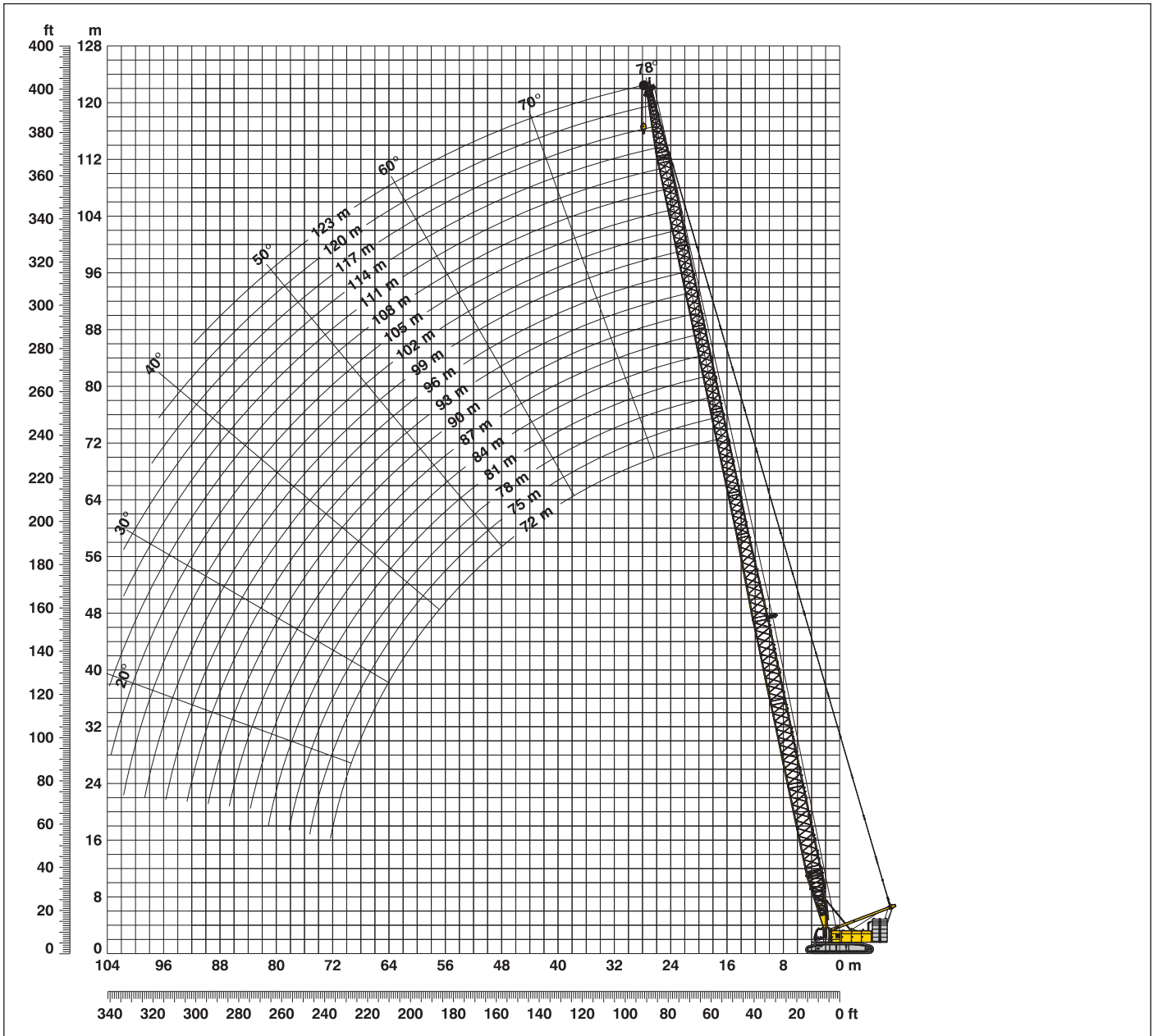
Radius	Boom length in (m)															Radius
	20	23	26	32	38	44	50	56	62	68	74	80	86	92	98	
(m)	t	t	t	t	t	t	t	t	t	t	t	t	t	t	t	(m)
6.8								169.5								6.8
8								169.5	162.2	150.4	127.8					8
9					166.5	161.0	155.0	147.0	139.3	125.7	109.1	97.2	83.6			9
10				156.8	152.7	146.4	140.8	135.7	128.8	118.3	104.7	96.5	83.6	73.1	63.7	10
12	136.9	136.9	134.9	133.1	127.8	124.7	120.3	114.9	110.0	105.1	96.1	90.9	79.5	70.8	62.7	12
16	99.7	99.8	99.5	98.5	96.1	94.4	90.6	87.3	84.2	80.7	75.1	72.7	67.4	62.2	57.0	16
20	74.3	74.7	74.7	74.7	74.4	74.0	72.1	69.6	66.7	63.9	60.9	59.2	56.8	53.2	49.0	20
22		65.6	65.6	65.7	65.4	65.1	64.7	63.0	60.8	57.9	55.1	53.4	51.3	48.8	46.3	22
24		58.2	58.3	58.4	58.1	57.9	57.4	57.0	55.4	53.1	50.5	48.6	46.5	44.4	42.1	24
26			52.3	52.4	52.1	51.9	51.4	51.1	50.6	48.7	46.5	44.8	42.6	40.6	38.5	26
32				39.4	39.2	39.0	38.5	38.1	37.6	37.1	36.6	35.5	33.8	32.2	30.4	32
38					30.6	30.5	30.0	29.7	29.1	28.7	28.1	27.6	27.0	25.9	24.6	38
44						24.4	24.0	23.7	23.2	22.7	22.1	21.6	21.1	20.5	19.6	44
50							19.5	19.2	18.7	18.2	17.7	17.2	16.6	16.1	15.5	50
55								16.2	15.8	15.3	14.8	14.3	13.8	13.2	12.6	55
60									13.4	13.0	12.4	11.9	11.3	10.8	10.2	60
65										10.9	10.4	9.9	9.3	8.7	7.9	65
70											8.6	8.1	7.4	6.7	5.9	70
75												6.3	5.6	5.0	4.2	75
80													4.1	3.4	2.7	80
85														2.7	2.1	85

TLT xxxxxxxx - Nxxxxxx Offiziell

Above lift chart is for reference only. For actual lift duty please refer to lift chart in operator's cab or manual.

L-boom high reach (No. 2821/2316.xx) **72 m - 123 m**

Working range **78° - 15°**



L-boom configuration with 46 m Main boom (No. 2821/2316.xx)

Configuration for L-boom lengths (72 m - 123 m)

Configuration for L-boom lengths (72 m - 123 m)	Length	Amount of boom and luffing jib extensions																		
		10 m	12 m	12 m	3 m	6 m	12 m	1 m	10 m	10 m	12 m	12 m	12 m	12 m	12 m	12 m	12 m	12 m	12 m	12 m
Boom foot	10 m	1	1	1	1	1	1	1	1	1	1	1	1	1	1	1	1	1	1	1
Boom insert	12 m	3	3	3	3	3	3	3	3	3	3	3	3	3	3	3	3	3	3	3
Tapered	12 m	1	1	1	1	1	1	1	1	1	1	1	1	1	1	1	1	1	1	1
Luffing insert	3 m	1		1		1		1		1		1		1		1		1		1
Luffing insert	6 m		1	1			1	1			1	1			1	1			1	1
Luffing insert	12 m				1	1	1	1	2	2	2	2	3	3	3	3	4	4	4	4
Luffing insert	1 m	1	1	1	1	1	1	1	1	1	1	1	1	1	1	1	1	1	1	1
Luffing jib head	10 m	1	1	1	1	1	1	1	1	1	1	1	1	1	1	1	1	1	1	1
Max. L-boom length (m)		72	75	78	81	84	87	90	93	96	99	102	105	108	111	114	117	120	123	

Lift chart for L-boom (No. 2821/2316.xx)

Main boom 46 m

Radius	Boom length in (m)															Radius
	72	84	87	90	93	96	99	102	105	108	111	114	117	120	123	
(m)	t	t	t	t	t	t	t	t	t	t	t	t	t	t	t	(m)
17.2	53.7															17.2
20	46.0	42.2														20
22	41.4	38.5	37.7	36.4	35.0											22
24	38.1	34.9	34.2	33.4	32.7	31.0	30.5	28.5								24
26	35.5	32.0	31.3	30.4	29.8	28.7	28.6	27.2	26.0	24.4	22.5	20.7				26
28	33.4	29.8	29.1	28.1	27.4	26.5	26.2	25.1	24.2	23.1	21.6	20.0	17.3	16.8	15.8	28
30	31.7	28.0	27.3	26.3	25.6	24.8	24.3	23.3	22.5	21.6	20.4	19.1	16.8	16.3	15.3	30
32	29.4	26.5	25.7	24.8	24.1	23.5	22.8	21.9	21.1	20.3	19.3	18.1	16.2	15.7	14.8	32
34	27.2	25.2	24.4	23.5	22.8	22.1	21.5	20.8	20.0	19.3	18.4	17.4	15.8	15.2	14.3	34
36	25.4	23.9	23.4	22.4	21.7	21.0	20.3	19.6	18.9	18.3	17.6	16.7	15.4	14.8	13.9	36
38	24.0	22.2	21.9	21.4	20.8	20.1	19.3	18.6	18.0	17.3	16.7	16.0	15.0	14.5	13.5	38
40	22.4	20.8	20.4	19.9	19.6	19.3	18.5	17.8	17.1	16.5	15.9	15.2	14.3	13.9	13.2	40
42	20.9	19.6	19.2	18.6	18.3	18.0	17.6	17.1	16.4	15.8	15.2	14.4	13.7	13.3	12.6	42
44	19.7	18.6	18.1	17.5	17.2	16.8	16.5	16.1	15.7	15.2	14.5	13.8	13.2	12.7	12.0	44
46	18.6	17.5	17.2	16.6	16.2	15.8	15.4	15.1	14.7	14.3	14.0	13.2	12.7	12.1	11.5	46
48	17.6	16.4	16.1	15.7	15.4	14.9	14.5	14.1	13.8	13.4	13.1	12.6	12.3	11.7	11.1	48
50	16.5	15.4	15.2	14.7	14.5	14.2	13.8	13.3	12.9	12.6	12.3	11.8	11.6	11.2	10.8	50
55	14.4	13.5	13.2	12.6	12.5	12.2	11.9	11.6	11.3	10.9	10.6	10.1	9.8	9.5	9.2	55
60	12.5	11.7	11.5	11.0	11.0	10.6	10.3	10.0	9.7	9.4	9.2	8.8	8.5	8.2	7.9	60
65	11.0	10.3	10.0	9.6	9.5	9.3	9.1	8.7	8.4	8.1	7.8	7.4	7.2	7.0	6.8	65
70	9.4	8.9	8.8	8.5	8.3	8.0	7.7	7.5	7.3	7.0	6.8	6.4	6.1	5.9	5.6	70
75		7.8	7.6	7.3	7.3	7.0	6.7	6.4	6.2	6.0	5.8	5.5	5.2	5.0	4.7	75
80		6.7	6.6	6.3	6.3	6.0	5.8	5.5	5.4	5.1	4.9	4.5	4.3	4.2	3.9	80
85			5.6	5.4	5.4	5.2	4.9	4.6	4.6	4.3	4.1	3.8	3.6	3.4	3.1	85
90					4.5	4.4	4.2	3.9	3.8	3.5	3.4	3.1	3.0	2.8	2.5	90
95							3.5	3.2	3.2	2.9	2.7	2.4	2.0	2.1		95
100								2.6	2.4	2.3	2.2					100

TLT xxxxxxxx - Nxxxxxx Offiziell

Lift chart - luffing jib (No. 2316.xx)

Main boom 88°

Main boom 20 m

Radius (m)	Jib length in (m)							
	20	41	53	65	77	89	101	113
12.4	t	68.7						t
15		53.8	48.9					
18	43.5	39.7	38.7	36.4				
20	36.9	33.6	32.4	31.7	26.4			
22	31.6	28.4	27.5	27.6	25.6			
24		25.5	24.4	23.4	22.0	18.0		
26		22.8	21.3	20.3	19.5	17.0	12.8	
28		20.7	19.2	18.2	17.1	16.0	12.6	9.1
32		17.5	16.2	14.8	14.5	12.8	12.0	8.7
42		12.1	11.2	9.7	8.7	7.5	6.7	5.6
50			8.5	7.3	6.1	5.1	4.1	3.5
55				6.2	5.0	3.9	3.0	2.5
65				4.4	3.4	2.6		
70					2.9	2.2		
75					2.4			

Main boom 32 m

Radius (m)	Jib length in (m)							
	20	41	53	65	77	89	101	113
12.8		71.8						t
13	86.9	71.8						
16	65.2	61.7	50.2					
18	55.1	51.9	47.5	34.8				
22	40.6	38.1	36.5	32.7	24.5			
24		33.5	32.3	29.9	23.6	17.0		
26		30.3	28.8	27.0	22.8	16.5	12.1	
28		27.5	26.1	24.9	21.6	16.2	11.9	8.5
32		23.6	22.1	20.8	19.8	15.4	11.4	8.2
42		17.2	15.8	14.5	13.4	11.7	9.9	7.2
55			11.0	9.8	8.6	7.3	6.3	5.0
65				7.4	6.2	5.1	3.9	3.1
70					5.4	4.1	3.1	2.2
75					4.6	3.3	2.3	
85						2.2		

Main boom 41 m

Radius (m)	Jib length in (m)							
	20	41	53	65	77	89	101	113
8.8	117.0							
14	74.3	66.2						
16	61.8	57.0	46.7					
19	48.7	45.1	42.0	32.7				
22	39.4	36.1	34.0	30.7	23.3			
24		31.9	30.3	28.3	22.4	16.1		
26		28.9	27.2	25.3	21.8	15.8	11.5	
30		24.4	22.9	21.3	19.1	15.1	11.2	8.1
38		18.7	17.2	15.9	14.3	12.8	10.2	7.3
44		14.5	14.3	13.0	11.7	10.1	8.8	6.8
55			10.7	9.4	8.2	6.8	5.8	4.5
65				7.2	5.9	4.7	3.6	3.0
70					5.1	3.8	2.8	2.4
75					4.4	3.1	2.1	
80						2.5		

Main boom 53 m

Radius (m)	Jib length in (m)							
	20	41	53	65	77	89	101	113
9.2	95.0							
14	65.6	55.3						
16	55.8	49.2	41.2					
19	44.7	40.0	36.8	29.0				
22	36.7	32.9	30.3	26.9	20.5			
24	15.1	29.3	27.2	24.8	20.0	14.7		
28		24.5	22.6	20.5	17.9	14.3	10.6	
30		22.7	21.0	18.9	16.6	14.0	10.5	7.4
40		16.7	15.1	13.4	11.6	10.3	8.7	6.5
44		15.0	13.4	11.8	10.3	8.9	7.7	6.0
55			10.1	8.6	7.2	6.0	4.9	3.6
65				6.6	5.3	4.2	3.0	
70					4.6	3.4	2.3	
75					3.9	2.7		
80						2.2		

Main boom 59 m

Radius (m)	Jib length in (m)							
	20	41	53	65	77	89	101	113
9.2	95.0							
14	65.6	55.3						
16	55.8	49.2	41.2					
19	44.7	40.0	36.8	29.0				
22	36.7	32.9	30.3	26.9	20.5			
24	15.1	29.3	27.2	24.8	20.0	14.7		
28		24.5	22.6	20.5	17.9	14.3	10.6	
30		22.7	21.0	18.9	16.6	14.0	10.5	7.4
40		16.7	15.1	13.4	11.6	10.3	8.7	6.5
44		15.0	13.4	11.8	10.3	8.9	7.7	6.0
55			10.1	8.6	7.2	6.0	4.9	3.6
65				6.6	5.3	4.2	3.0	
70					4.6	3.4	2.3	
75					3.9	2.7		
80						2.2		

Main boom 71 m

Radius (m)	Jib length in (m)							
	41	44						
14.2	39.2							
15	39.2	36.8						
18	34.0	33.5						
20	30.4	29.6						
24	24.4	24.1						
26	22.5	22.0						
28	20.8	20.4						
30	19.4	19.0						
32	18.3	17.8						
34	17.2	16.9						
38	15.3	15.0						
40	14.5	14.2						
42	13.8	13.5						
44	13.1	12.9						
48		8.2						

TLT xxxxxxxx - Nxxxxxx Offiziell

Capacities in metric tonnes with luffing jib (No. 2316.xx), 124 t counterweight + 57 t carbody counterweight. Above lift chart is for reference only. For actual lift duty and complete chart with all available configurations please refer to lift chart in operator's cab or manual.

Lift chart - luffing jib (No. 2316.xx)

Main boom 83°

Main boom 20 m

Radius	Jib length in (m)							
	20	41	53	65	77	89	101	113
(m)	t	t	t	t	t	t	t	t
11.5	110.4							
18	54.0	51.7						
22	37.4	36.0	37.1					
24	31.9	30.3	30.5					
26		27.1	27.1	28.4				
30		21.3	20.8	20.8	21.9			
32		19.6	18.9	18.5	19.0	16.4		
36		16.7	15.6	15.1	14.8	14.7	11.6	
40		14.5	13.6	12.7	11.9	12.5	10.8	8.0
42		13.5	12.5	11.5	10.9	10.8	9.9	7.9
44		12.5	11.6	10.6	9.9	9.4	9.3	7.7
55			8.1	7.2	6.1	5.1	4.5	4.0
65				5.0	4.0	3.0	2.1	2.2
70					3.3	2.2		
75					2.6			

Main boom 32 m

Radius	Jib length in (m)							
	20	41	53	65	77	89	101	113
(m)	t	t	t	t	t	t	t	t
13	104.7							
20	64.3	60.7						
24	45.8	49.2	44.1					
26	39.8	44.0	41.5					
28		39.5	39.1	31.1				
30		35.4	35.9	30.3	22.6			
34		29.5	30.6	28.3	22.0	15.7		
38		24.9	25.2	26.3	21.0	15.1	11.0	
42		21.6	21.5	22.2	20.0	14.5	10.6	7.6
46		18.7	18.5	18.6	18.4	13.9	10.2	7.2
55			13.8	13.4	13.1	11.5	9.3	6.5
65				9.8	9.2	8.6	7.4	5.6
80					5.4	4.6	4.1	3.9
85						3.8	2.9	2.7
90						2.9	2.1	

Main boom 41 m

Radius	Jib length in (m)							
	20	41	53	65	77	89	101	113
(m)	t	t	t	t	t	t	t	t
14	91.7							
22	54.3	54.4						
24	45.9	50.1	41.8					
26	41.2	43.6	40.9					
28		39.2	39.2	29.6				
32		31.9	32.6	28.6	21.4			
36		27.1	27.4	26.1	20.7	14.9		
38		25.0	25.0	24.9	20.3	14.7	10.6	
42		21.7	21.5	21.8	19.4	14.1	10.3	7.2
46		19.1	18.6	18.3	18.5	13.4	9.9	7.0
55			14.0	13.3	12.9	11.3	9.0	6.3
70				8.4	7.7	6.9	6.3	4.8
80					5.5	4.5	4.0	3.8
85						3.7	3.0	2.7
90						2.9	2.1	

Main boom 53 m

Radius	Jib length in (m)							
	20	41	53	65	77	89	101	113
(m)	t	t	t	t	t	t	t	t
15.5	75.8							
22	53.2	47.4						
26	40.8	41.4	35.8					
28	36.9	36.9	34.6					
30		33.6	33.3	26.4				
34		28.1	27.7	25.1	18.8			
36		26.2	25.7	23.9	18.4	13.7		
40		22.6	21.9	21.0	17.6	13.4	9.8	
44		19.9	19.1	18.3	16.4	12.9	9.5	6.7
48		17.5	16.7	15.7	15.3	12.3	9.1	6.4
60			11.8	10.8	9.9	9.1	7.9	5.5
70				8.1	7.1	6.4	5.4	4.2
80					5.2	4.3	3.6	2.7
85						3.6	2.7	
95						2.1		

Main boom 59 m

Radius	Jib length in (m)							
	20	41	53	65	77	89	101	113
(m)	t	t	t	t	t	t	t	t
16.2	68.5							
24	45.2	40.2						
26	40.1	37.7	31.9					
28	36.5	34.5	31.1					
30		32.1	29.7	24.3				
34		27.1	26.0	23.0	17.7			
38		23.5	22.7	20.7	17.0	13.0		
40		21.9	21.0	19.5	16.6	12.8	9.4	
44		19.3	18.5	17.2	15.2	12.3	9.1	6.3
48		17.2	16.2	14.9	14.1	11.6	8.7	6.1
60			11.6	10.3	9.3	8.5	7.7	5.2
70				7.8	6.8	5.9	5.0	3.9
80					5.0	4.0	3.2	2.2
85						3.3	2.4	
90						2.6		

Main boom 71 m

Radius	Jib length in (m)							
	41	44						
(m)	t	t						
23.8	31.1							
24	31.1							
26	29.9	29.0						
28	28.4	27.6						
30	26.9	26.2						
32	25.6	24.9						
34	23.9	23.7						
36	22.5	22.1						
38	21.3	20.9						
40	20.0	19.8						
42	18.7	18.6						
44	17.7	17.5						
48	15.9	15.7						
50	15.1	14.9						

TLT xxxxxxxx - Nxxxxxx Offiziell

Capacities in metric tonnes with luffing jib (No. 2316.xx), 124 t counterweight + 57 t carbody counterweight. Above lift chart is for reference only. For actual lift duty and complete chart with all available configurations please refer to lift chart in operator's cab or manual.

Lift chart - luffing jib (No. 2316.xx)

Main boom 75°

Main boom 20 m

Radius	Jib length in (m)							
	20	41	53	65	77	89	101	113
(m)	t	t	t	t	t	t	t	t
18	76.9							
26	35.9	36.9						
32		24.9	26.3					
36		20.3	20.4	20.1				
38		18.7	18.3	18.9				
42		16.1	15.2	15.2	15.1			
44		14.9	14.2	14.0	14.7			
46		13.7	13.1	12.6	13.0	10.9		
48		12.3	12.2	11.5	11.7	10.8		
50			11.4	10.7	10.5	10.0		
55			9.7	8.9	8.2	8.0	7.4	
60				7.5	6.7	6.0	5.8	5.0
70				5.0	4.4	3.5	2.8	2.9
75					3.5	2.5		
80					2.7			

Main boom 32 m

Radius	Jib length in (m)							
	20	41	53	65	77	89	101	113
(m)	t	t	t	t	t	t	t	t
20	68.9							
30	45.1	42.4						
34		37.3	33.9					
40		31.1	29.5	26.8				
44		27.6	26.5	24.7	19.7			
50		23.1	22.7	21.4	19.2	13.8		
55			20.0	19.2	17.4	13.4	9.5	
60			17.2	16.9	15.8	12.7	9.3	6.3
65				15.0	14.1	11.8	8.9	6.1
70				12.8	12.4	11.1	8.6	5.8
75					11.0	9.8	8.3	5.5
85					7.5	7.6	6.6	4.9
90						6.3	5.8	3.3
95						4.9	4.9	
105							2.7	

Main boom 41 m

Radius	Jib length in (m)							
	20	41	53	65	77	89	101	113
(m)	t	t	t	t	t	t	t	t
22.3	58.3							
32	41.1	36.0						
38		30.1	28.9					
42		27.2	26.1	23.5				
48		23.5	22.6	20.8	18.7			
50		22.6	21.6	19.8	18.1			
55			19.2	17.7	16.2	13.1		
60			17.1	15.9	14.3	12.3	9.1	
65			14.9	14.4	13.0	11.2	8.7	6.0
70				12.9	11.8	10.2	8.3	5.7
75				11.6	10.6	9.3	7.7	5.5
85					8.2	7.1	6.1	4.9
90						6.2	5.1	4.0
95						5.3	4.2	2.6
110							2.0	

Main boom 50 m

Radius	Jib length in (m)							
	20	41	53	65	77	89	101	113
(m)	t	t	t	t	t	t	t	t
25.4	46.5							
36	15.1	29.7						
40		26.4	23.9					
46		22.9	21.0	18.8				
48		21.8	20.0	18.2				
50		21.0	19.1	17.2	14.8			
55		18.8	17.2	15.4	13.6	11.6		
60			15.6	14.0	12.2	10.9	8.5	
65			14.2	12.6	11.0	9.8	8.4	5.5
70				11.5	9.9	8.7	7.5	5.4
75				10.4	8.9	7.9	6.6	5.1
80					8.1	7.0	5.9	4.4
90					6.1	5.1	4.0	2.9
95						4.2	3.2	2.1
100						3.4	2.4	

Main boom 59 m

Radius	Jib length in (m)							
	20	41	53	65	77	89	101	113
(m)	t	t	t	t	t	t	t	t
28	40.7							
36	31.7	27.2						
42		23.6	21.7					
46		21.5	19.7	17.0				
48		20.5	18.8	16.9				
50		19.6	17.9	16.1				
55		17.9	16.2	14.4	12.7			
60			14.6	12.9	11.3	10.0		
65			13.4	11.7	10.1	8.9	7.5	
70				10.6	9.2	7.9	6.6	4.9
75				9.7	8.2	7.1	5.7	4.2
80				8.5	7.4	6.3	5.0	3.5
90					5.5	4.5	3.3	2.2
95						3.6	2.6	
100						2.9		

Main boom 71 m

Radius	Jib length in (m)							
	41	44						
(m)	t	t						
38.9	20.8							
40	21.5							
42	20.5	20.2						
44	19.5	19.2						
46	18.6	18.3						
48	17.9	17.5						
50	17.1	16.8						
55	15.4	15.1						
60	14.1	13.8						

TLT xxxxxxxx - Nxxxxxx Offiziell

Capacities in metric tonnes with luffing jib (No. 2316.xx), 124 t counterweight + 57 t carbody counterweight. Above lift chart is for reference only. For actual lift duty and complete chart with all available configurations please refer to lift chart in operator's cab or manual.

Lift chart - luffing jib (No. 2316.xx)

Main boom 65°

Main boom 20 m

Radius (m)	Jib length in (m)							
	20	41	53	65	77	89	101	113
24	51.5							
26	42.1							
30	30.2							
36		22.3						
42		15.8	15.6					
48		12.3	12.3					
50		11.3	11.0	11.2				
55			8.9	8.7				
60			7.5	6.9	6.7			
65				5.6	5.2	4.8		
70				4.6	3.9	3.5	2.8	
75					3.0	2.6	2.1	
80					2.4			

Main boom 32 m

Radius (m)	Jib length in (m)							
	20	41	53	65	77	89	101	113
30	43.1							
36	15.1							
42		27.1						
48		22.9	21.9					
55		19.1	18.3	17.4				
65			14.5	13.7	12.7			
70				12.2	11.3	10.1		
75				10.9	9.9	8.8	7.6	
85					7.5	6.5	5.4	4.3
90					6.5	5.5	4.4	3.3
95						4.6	3.6	2.5
100						3.8	2.8	
105							2.1	

Main boom 41 m

Radius (m)	Jib length in (m)							
	20	41	53	65	77	89	101	113
34	35.0							
38	30.5							
44		22.8						
55		17.8	16.9					
60		15.1	15.0	14.0				
65			13.4	12.4	11.3			
70			12.0	11.0	9.8			
75				9.6	8.5	7.3		
80				8.4	7.3	6.2	5.0	
90					5.4	4.3	3.2	2.0
95						3.5	2.4	
105						2.1		

Main boom 53 m

Radius (m)	Jib length in (m)							
	20	41	53	65	77	89	101	113
37	28.4							
44	23.1							
50		18.0						
60		14.0	13.0					
65		12.5	11.4	10.1				
70			10.0	8.8	7.5			
75			8.7	7.6	6.4			
80				6.6	5.4	4.2		
85				5.6	4.5	3.3	2.1	
90					3.7	2.5		
95					2.9			
100					2.3			

Main boom 59 m

Radius (m)	Jib length in (m)					
	20	41	53	65	77	89
39.6	24.5					
46	20.6					
55		14.6				
60		12.9	11.6			
65		11.3	10.1			
70			8.8	7.6		
75			7.7	6.5	5.2	
80				5.5	4.3	3.0
85				4.6	3.5	2.2
90				3.8	2.7	
95					2.0	

Main boom 71 m

Radius (m)	Jib length in (m)			
	41	44		
56.7	10.8			
60	10.1	9.9		
65	8.8	8.6		
70	7.6	7.5		
75		6.4		

TLT xxxxxxxx - Nxxxxxx Offiziell

Capacities in metric tonnes with luffing jib (No. 2316.xx), 124 t counterweight + 57 t carbody counterweight. Above lift chart is for reference only. For actual lift duty and complete chart with all available configurations please refer to lift chart in operator's cab or manual.

Lift chart - luffing jib (No. 2316.xx)

Main boom 45°

Main boom 20 m

Radius (m)	Jib length in (m)								
	20	41	53	65	77				
33.4	t								
36	30.1								
55		12.9							
65			8.5						
75				5.5					
80				4.0					
85					3.1				
90					2.2				

Main boom 32 m

Radius (m)	Jib length in (m)								
	20	41	53	65	77				
41.9	t								
44	25.3								
60		14.5							
65		12.9							
70			10.7						
75			9.4						
80				7.2					
85				6.2					
90					4.2				
100					2.7				

Main boom 41 m

Radius (m)	Jib length in (m)							
	20	41	53	65				
48.3	t							
50	18.9							
70		9.6						
80			6.3					
90				3.5				
95				2.8				

Main boom 53 m

Radius (m)	Jib length in (m)						
	20	41	53				
56.8	t						
60	12.2						
75		5.4					
80		4.6					
85			2.6				

Main boom 59 m

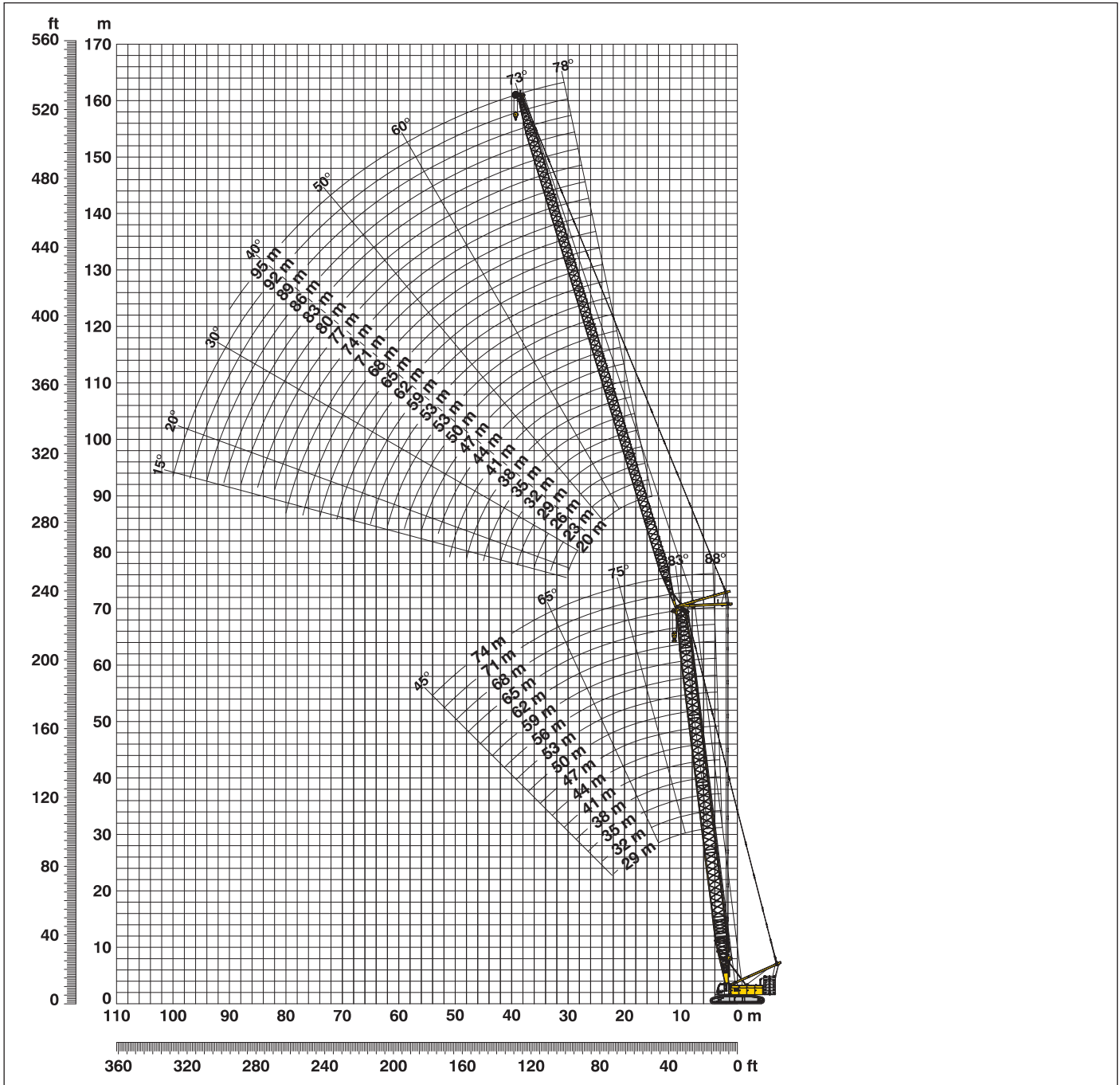
Radius (m)	Jib length in (m)					
	20	41				
61	t					
80	9.0	3.0				

TLT xxxxxxxx - Nxxxxxx Offiziell

Capacities in metric tonnes with luffing jib (No. 2316.xx), 124 t counterweight + 57 t carbody counterweight. Above lift chart is for reference only. For actual lift duty and complete chart with all available configurations please refer to lift chart in operator's cab or manual.

Luffing jib (No. 1916.xx) **78° - 15°**

Main boom 88° - 45°



Boom configuration for main boom lengths 29 m - 74 m –see table 1 on page 12

Jib configuration for jib lengths (20 m - 95 m)

Length	Amount of luffing jib extensions																									
	20	23	26	29	32	35	38	41	44	47	50	53	56	59	62	65	68	71	74	77	80	83	86	89	92	95
Luffing jib foot	1	1	1	1	1	1	1	1	1	1	1	1	1	1	1	1	1	1	1	1	1	1	1	1	1	1
Luffing jib insert			1	1	1	1	1	1	1	1	1	1	1	1	1	1	1	1	1	1	1	1	1	1	1	1
Luffing jib insert					1	1	1	1	1	1	1	1	1	1	1	1	1	1	1	1	1	1	1	1	1	1
Luffing jib insert				1	1	1	1	1	1	1	1	1	1	1	1	1	1	1	1	1	1	1	1	1	1	1
Luffing jib head	1	1	1	1	1	1	1	1	1	1	1	1	1	1	1	1	1	1	1	1	1	1	1	1	1	1
Luffing jib length (m)	20	23	26	29	32	35	38	41	44	47	50	53	56	59	62	65	68	71	74	77	80	83	86	89	92	95

Lift chart - luffing jib (No. 1916.xx)

Main boom 88°

Main boom 29 m

Radius (m)	Jib length in (m)							
	20	29	35	47	59	71	83	95
13	t	t	46.5	t	t	t	t	t
14			44.7	31.2				
15		50.3	42.6	30.7				
17		45.9	39.4	28.8	20.3			
18	51.5	44.2	37.6	27.7	19.9			
19	48.7	42.2	36.1	26.8	19.2	13.8		
22	38.5	37.5	32.6	24.6	17.8	13.0	9.1	
24		34.4	30.4	23.3	17.1	12.5	8.8	6.0
32		15.1	23.8	19.8	15.5	11.2	7.8	5.3
36			20.5	18.2	14.8	10.7	7.4	5.0
48				12.9	12.7	9.4	6.4	4.2
60					9.2	8.3	5.7	3.4
70						6.8	5.2	2.8
80							4.5	2.3
85								2.0

Main boom 41 m

Radius (m)	Jib length in (m)							
	20	29	35	47	59	71	83	95
10.6			57.8					
11	69.6	57.8						
12	65.7	55.5	45.9					
15	55.4	49.2	41.0	29.6				
17	50.6	44.8	38.1	27.8	19.4			
20	43.6	39.7	33.9	25.4	18.2	13.2		
22	39.0	36.7	31.9	24.2	17.4	12.7	8.8	
26		30.5	28.1	22.0	16.2	11.8	8.3	5.7
32		24.2	23.2	19.7	15.1	10.9	7.6	5.2
38			19.4	17.2	14.2	10.3	7.0	4.7
48				13.2	12.3	9.2	6.3	4.1
60					9.5	8.2	5.6	3.4
70						6.9	5.1	2.8
80							4.5	2.3
85								2.1

Main boom 53 m

Radius (m)	Jib length in (m)							
	23	29	35	47	59	71	83	95
9.8	63.6	t	t	t	t	t	t	t
11	60.7	52.4						
13	54.1	50.0	42.0					
15	48.4	45.8	39.3	27.7				
18	42.1	40.4	35.5	25.9	18.3			
20	38.8	37.1	32.9	24.4	17.5	12.6		
24	32.2	31.3	28.8	22.3	16.1	11.7	8.3	
26	29.5	28.5	27.0	21.4	15.6	11.4	8.0	5.5
32		23.0	22.0	18.9	14.6	10.6	7.4	5.0
38			18.6	16.6	13.7	10.0	6.9	4.6
50				12.3	11.2	8.9	6.1	3.9
60					9.1	7.8	5.5	3.3
70						6.6	5.0	2.8
80							4.3	2.3
85							3.6	2.1

Main boom 59 m

Radius (m)	Jib length in (m)							
	20	29	35	47	59	71	83	95
9.4	64.5	t	t	t	t	t	t	t
12	54.8	48.9						
13	51.5	47.3	40.1					
15	46.4	43.7	37.9	26.6				
18	40.2	38.5	34.7	25.2	17.7			
20	36.9	35.5	32.2	23.8	17.1	12.2		
24	31.1	29.9	28.0	21.8	15.8	11.5	8.2	
26		27.4	26.0	20.9	15.3	11.1	7.9	5.4
30		23.8	22.8	19.3	14.6	10.6	7.4	5.1
32		22.4	21.3	18.5	14.3	10.4	7.2	4.9
38			18.1	16.2	13.4	9.8	6.7	4.5
50				12.2	10.8	8.7	5.9	3.8
60					8.8	7.5	5.4	3.3
70						6.3	4.9	2.8
85							3.3	2.0

Main boom 68 m

Radius (m)	Jib length in (m)							
	20	29	35	47	59	71	83	95
9.7	56.6	t	t	t	t	t	t	t
12	50.3	43.9						
13	47.5	43.1	36.7					
16	40.4	38.9	34.4	24.8				
18	36.9	35.4	32.7	23.8	16.6			
22	31.5	29.8	28.6	21.8	15.7	11.5		
24	29.1	27.6	26.4	20.9	15.1	11.0	7.8	
28		23.6	22.8	19.6	14.4	10.5	7.4	5.1
32		20.9	20.0	17.6	13.8	10.0	7.0	4.8
38			17.1	15.3	12.7	9.4	6.6	4.4
50				11.6	10.1	8.5	5.8	3.7
60					8.2	7.0	5.3	3.2
70						5.8	4.6	2.7
80							3.8	2.2
85							3.4	

Main boom 74 m

Radius (m)	Jib length in (m)					
	20	29	35	47	53	
9.9	51.7	t	t	t	t	
12	47.6	40.4				
13	45.0	40.1	34.3			
16	38.2	36.6	32.7	23.5		
17	36.4	34.9	31.7	23.3	19.1	
18	34.8	33.3	31.0	22.8	19.0	
19	33.5	32.0	30.1	22.4	18.6	
20	32.1	30.8	28.9	21.8	18.2	
22	29.8	28.1	27.2	20.9	17.6	
24	27.8	26.1	25.1	20.1	17.0	
28		22.5	21.6	18.9	16.2	
32		20.1	19.0	16.9	15.5	
38			16.4	14.6	13.3	
50				11.1	10.2	
55					9.2	

TLT xxxxxxxx - Nxxxxxx Offiziell

Capacities in metric tonnes with luffing jib (No. 1916.xx), 124 t counterweight + 57 t carbody counterweight. Above lift chart is for reference only. For actual lift duty and complete chart with all available configurations please refer to lift chart in operator's cab or manual.

Lift chart - luffing jib (No. 1916.xx)

Main boom 83°

Main boom 29 m

Radius (m)	Jib length in (m)							
	20	29	35	47	59	71	83	95
12.6	76.5							
16	65.5	53.3						
17	61.4	50.8	42.1					
22	47.0	41.3	35.3	26.0				
24	41.3	38.6	33.1	24.6	17.5			
26	15.1	36.1	31.1	23.5	17.2			
28		33.8	29.6	22.6	16.7	12.1		
32		28.7	26.3	21.0	15.9	11.6	8.1	
34		25.4	24.9	20.4	15.6	11.3	7.9	
40			20.0	18.0	14.7	10.6	7.2	4.9
44				16.6	14.2	10.1	6.9	4.6
50				13.7	13.3	9.5	6.5	4.2
60					10.7	8.7	5.9	3.6
75						6.2	5.2	2.7
85							4.6	2.2

Main boom 41 m

Radius (m)	Jib length in (m)							
	20	29	35	47	59	71	83	95
14	71.6							
17	60.0	50.4						
19	53.8	47.1	39.2					
22	46.9	42.2	35.4	25.4				
26	39.3	37.0	31.4	23.6	16.8			
30		32.5	28.6	22.0	16.1	11.7		
34		27.8	25.5	20.5	15.4	11.2	7.8	
36		15.1	24.3	19.9	15.1	10.9	7.6	5.0
40			21.4	18.5	14.5	10.5	7.2	4.8
50				14.6	13.3	9.5	6.4	4.2
65					9.2	8.4	5.6	3.4
75						7.1	5.2	2.8
80							5.0	2.5
85							4.7	2.3
90								2.1

Main boom 53 m

Radius (m)	Jib length in (m)							
	20	29	35	47	59	71	83	95
15.5	61.8							
19	50.4	45.6						
20	47.6	44.3	36.4					
24	40.0	38.4	33.0	23.9				
28	35.3	34.1	29.9	22.5	16.1			
32		30.2	27.4	21.1	15.4	11.2		
34		28.4	25.9	20.4	15.1	10.9	7.5	
36		26.3	24.6	19.8	14.8	10.7	7.5	
38			23.5	19.2	14.6	10.5	7.3	4.8
42			20.8	17.9	14.0	10.1	6.9	4.6
55				11.0	12.7	9.0	6.1	3.9
65					10.1	8.3	5.6	3.4
75						7.3	5.1	2.8
85							4.7	2.3
90								2.1

Main boom 59 m

Radius (m)	Jib length in (m)							
	20	29	35	47	59	71	83	95
16.2	57.5							
19	48.8	43.5						
22	41.6	40.4	34.2					
26	36.1	35.1	31.0	22.7				
28	34.2	33.3	29.7	22.1	15.7			
32		29.5	27.2	20.9	15.2	10.9		
36		26.1	24.4	19.6	14.6	10.6	7.4	
38		24.2	23.2	19.0	14.3	10.4	7.2	
40			22.1	18.6	14.1	10.1	7.0	4.7
44			14.9	17.1	13.6	9.8	6.7	4.4
55				13.2	12.4	8.9	6.0	3.9
65					10.2	8.2	5.5	3.3
75						7.3	5.1	2.8
80							4.9	2.6
90							3.7	2.1

Main boom 68 m

Radius (m)	Jib length in (m)						
	20	29	35	47	59	71	83
17.3	50.9						
20	44.4	38.8					
22	39.8	37.6	31.9				
26	34.0	33.3	29.8	21.7			
30	30.6	29.9	27.5	20.8	14.9		
34		26.1	25.2	19.8	14.4	10.4	
36		24.7	23.7	19.1	14.1	10.2	7.1
38		23.1	22.4	18.5	13.9	10.0	7.0
40			21.3	18.0	13.7	9.8	6.8
44			19.1	16.7	13.2	9.5	6.6
55				13.1	11.7	8.7	5.9
65					9.9	7.9	5.4
70						7.6	5.2
80						5.0	4.8
90							4.3

Main boom 74 m

Radius (m)	Jib length in (m)						
	20	29	35	47	59	71	80
17.7	48.7						
22	39.5	36.5					
24	35.8	34.6	30.3				
26	33.5	32.8	29.3	21.2			
30	30.2	29.3	27.1	20.6	14.6		
34		25.6	24.8	19.5	14.2	10.3	
36		24.2	23.3	18.9	14.0	10.1	7.7
38		22.8	22.0	18.3	13.7	9.9	7.7
44			18.8	16.5	13.0	9.4	7.2
50				14.5	12.4	8.9	6.8
55				13.0	11.5	8.6	6.5
60					10.8	8.2	6.2
65					9.7	7.8	6.0
80						4.9	5.3
85							4.9

TLT xxxxxxx - Nxxxxx Offiziell

Capacities in metric tonnes with luffing jib (No. 1916.xx), 124 t counterweight + 57 t carbody counterweight. Above lift chart is for reference only. For actual lift duty and complete chart with all available configurations please refer to lift chart in operator's cab or manual.

Lift chart - luffing jib (No. 1916.xx)

Main boom 75°

Main boom 29 m

Radius (m)	Jib length in (m)							
	20	29	35	47	59	71	83	95
19.2	64.5							
24	51.0	44.5						
26	47.2	41.8	35.3					
30	15.1	37.2	31.9					
32		34.8	30.4	22.9				
36		30.1	27.1	21.4	15.9			
38		27.1	25.7	20.7	15.6			
42			22.8	19.3	15.1	10.9		
44			21.2	18.4	14.8	10.6		
46				17.5	14.6	10.4	7.0	
55				13.9	13.4	9.6	6.4	4.2
60					12.5	9.2	6.1	3.9
75						7.8	5.4	3.0
90							4.9	2.3
95								2.0

Main boom 41 m

Radius (m)	Jib length in (m)							
	20	29	35	47	59	71	83	95
22.3	57.6							
28	47.0	41.6						
30	44.5	39.5	33.2					
32	41.1	37.6	31.8					
34		35.6	30.3	22.5				
40		29.0	26.1	20.7	15.3			
44			23.6	19.7	14.8	10.5		
46			22.2	18.8	14.6	10.4		
50				17.3	14.2	10.1	6.8	
55				15.5	13.6	9.6	6.5	4.2
60					13.2	9.3	6.2	3.9
70					10.5	8.6	5.7	3.4
80						7.7	5.3	2.9
90							5.0	2.4
95								2.2

Main boom 53 m

Radius (m)	Jib length in (m)							
	20	29	35	47	59	71	83	95
25.4	46.3							
30	39.9	38.2						
32	37.5	36.0	32.1					
36	15.1	32.1	29.6					
38		30.4	28.3	21.6				
42		27.8	25.8	20.5	14.7			
44		26.4	24.6	19.9	14.7			
48			22.6	18.9	14.2	10.1		
50			21.5	18.2	14.0	10.0		
55				16.7	13.6	9.6	6.5	
60				14.7	13.2	9.2	6.2	4.0
70					11.4	8.6	5.7	3.5
85						6.7	5.2	2.7
95							5.0	2.3
100								2.1

Main boom 59 m

Radius (m)	Jib length in (m)							
	20	29	35	47	59	71	83	95
28	40.6							
32	35.6	34.0						
34	33.7	32.1	30.0					
36	32.2	30.3	29.0					
40		27.5	26.3	21.0				
44		25.3	24.0	20.0	14.4			
46		24.2	23.0	19.4	14.3			
50			21.3	18.5	13.9	9.8		
55				16.7	13.5	9.5	6.4	
60				15.1	13.1	9.2	6.1	3.9
75					9.5	8.4	5.5	3.2
85						7.7	5.1	2.8
90							5.1	2.5
95							5.0	2.3
100								2.1

Main boom 68 m

Radius (m)	Jib length in (m)							
	20	29	35	47	59	71	83	95
29.3	34.7							
34	30.6	29.1						
36	29.0	27.6	26.2					
40	15.1	25.0	24.1					
42		23.8	23.0	19.9				
46		22.0	21.1	18.9	13.7			
48		21.2	20.2	18.2	13.7			
50			19.5	17.5	13.5			
55				16.0	13.1	9.2		
60				14.7	12.6	9.0	6.0	
65				13.5	11.9	8.7	5.8	3.6
75					10.4	8.2	5.4	3.2
85						7.7	5.1	2.8
90							5.0	2.5
100							4.8	2.2

Main boom 74 m

Radius (m)	Jib length in (m)							
	20	29	35	47	53			
32	30.5							
34	28.7							
36	27.2	25.6						
38	25.9	24.4	23.0					
40	24.9	23.2	22.2					
42		22.3	21.3					
44		21.3	20.5	17.8				
46		20.5	19.7	17.2	15.3			
48		19.8	18.9	16.7	15.0			
50		19.0	18.2	16.1	14.6			
55			16.7	14.8	13.5			
60				13.7	12.5			
65				12.7	11.6			
70					10.9			

TLT xxxxxxxx - Nxxxxxx Offiziell

Capacities in metric tonnes with luffing jib (No. 1916.xx), 124 t counterweight + 57 t carbody counterweight. Above lift chart is for reference only. For actual lift duty and complete chart with all available configurations please refer to lift chart in operator's cab or manual.

Lift chart - luffing jib (No. 1916.xx)

Main boom 65°

Main boom 29 m

Radius	Jib length in (m)							
	20	29	35	47	59	71	83	95
(m)	t	t	t	t	t	t	t	t
28	48.3							
32	41.1	30.1						
34	38.2	37.9						
36		35.4	31.2					
42		29.4	26.8					
44			25.5	20.2				
48			22.8	19.1				
50				18.1	14.3			
60				14.2	13.2	9.4		
65					12.5	9.1	6.0	
70					11.2	8.8	5.7	3.5
80						8.0	5.3	3.0
85							5.2	2.7
95							5.0	2.3
100								2.1

Main boom 41 m

Radius	Jib length in (m)							
	20	29	35	47	59	71	83	95
(m)	t	t	t	t	t	t	t	t
34	35.8							
38	31.3	30.9						
42		27.4	27.0					
44			25.9	25.5				
48			23.2	23.0	20.0			
50				21.8	19.6			
55					18.1	13.9		
60					16.4	13.6		
65					14.5	13.1	9.1	
70						12.6	8.9	5.8
75						11.3	8.6	5.6
85							8.0	5.3
90								5.2
100								5.1
105								2.3

Main boom 53 m

Radius	Jib length in (m)							
	20	29	35	47	59	71	83	95
(m)	t	t	t	t	t	t	t	t
37	29.2							
44	24.0	23.6						
46		22.3	21.9					
50		20.1	19.8					
55			17.6	16.9				
60				15.1	13.2			
70				12.3	11.6	8.8		
75					10.4	8.6	5.6	
80						9.3	8.4	5.4
85							7.5	5.3
90							6.7	5.2
100								4.5
105								3.9
110								2.1

Main boom 59 m

Radius	Jib length in (m)							
	20	29	35	47	59	71	83	95
(m)	t	t	t	t	t	t	t	t
39.6	25.3							
46	21.6	21.1						
50		19.0	18.6					
55			16.8	16.5	15.2			
60				14.8	14.1			
65					12.7	11.9		
70					11.4	10.5	8.6	
75						9.4	8.5	
80							8.4	7.5
85							7.4	6.7
90								5.9
95								5.1
100								4.4
105								3.7

Main boom 68 m

Radius	Jib length in (m)						
	20	29	35	47	59	71	83
(m)	t	t	t	t	t	t	t
43.4	20.5						
50	17.7	17.0					
55		15.2	14.6				
60		13.6	13.2	12.1			
65			11.7	10.9			
70				9.7	8.8		
75				8.6	7.8	6.9	
80					6.8	6.0	5.1
85						6.0	5.2
90							4.5
95							3.8
100							3.2

Main boom 74 m

Radius	Jib length in (m)				
	20	29	35	47	53
(m)	t	t	t	t	t
45.9	17.7				
48	16.9				
50	16.2				
55		13.6	13.0		
60		12.3	11.8		
65			10.5	9.6	9.1
70				8.5	8.0
75				7.4	7.1
80					6.2
85					5.4

TLT xxxxxxx - Nxxxxx Offiziell

Traglasten in Tonnen mit verstellbarem Nadelausleger (No. 1916.xx) 124 t Ballast + 57 t Zentralballast. Oben angeführte Traglastwerte sind nur zur Information. Für Ihren aktuellen Hub verwenden Sie bitte die Traglastwerte aus dem Traglasttabellenbuch.

Lift chart - luffing jib ((No. 1916.xx)

Main boom 45°

Main boom 29 m

Radius (m)	Jib length in (m)							
	20	29	35	47	59	71	83	95
39.8	t	t	t	t	t	t	t	t
42	28.7							
48		22.5						
50		21.4						
55			18.7					
65				14.6				
75					11.4			
80					10.4			
85						8.2		
90						7.8		
95							4.9	
100							4.9	
105								2.1

Main boom 41 m

Radius (m)	Jib length in (m)							
	20	29	35	47	59	71	83	
48.3	t	t	t	t	t	t	t	
50	19.9							
50	19.0							
60		14.7						
65			12.9					
75				9.9				
85					7.2			
95						4.9		
100						4.2	3.4	
105							2.9	
110							2.4	

Main boom 53 m

Radius (m)	Jib length in (m)								
	20	29	35	47	62				
56.8	t	t	t	t	t				
60	13.3								
60	12.4								
65		10.5							
70			8.9						
80				6.2					
85				5.4					
95					3.2				
100					2.7				

Main boom 59 m

Radius (m)	Jib length in (m)								
	20	29	35	47					
61	t	t	t	t					
61	10.4								
70		7.7							
75			6.3						
85				4.0					
90				3.3					

Main boom 68 m

Radius (m)	Jib length in (m)							
	20	29	35					
67.4	t	t	t					
70	6.2							
70	5.7							
75		4.3						
80			3.1					
85			2.5					

Main boom 74 m

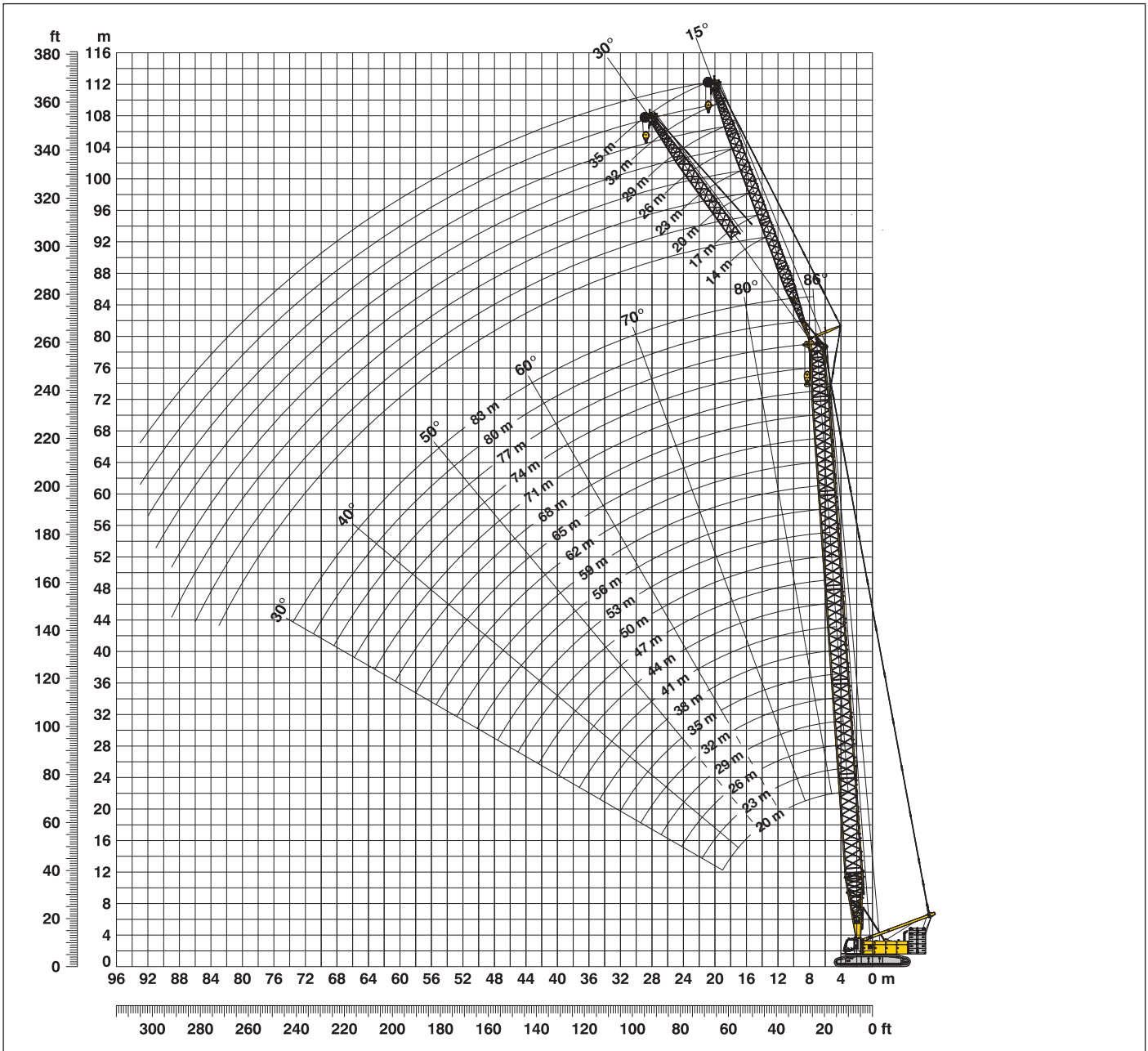
Radius (m)	Jib length in (m)								
	20								
71.6	t								
71.6	3.6								

TLT xxxxxxxx - Nxxxxx Offiziell

Traglasten in Tonnen mit verstellbarem Nadelausleger (No. 1916.xx) 124 t Ballast + 57 t Zentralballast. Oben angeführte Traglastwerte sind nur zur Information. Für Ihren aktuellen Hub verwenden Sie bitte die Traglastwerte aus dem Traglasttabellenbuch.

Working range - fixed jib No. 1713.xx) 15° und 30°

Main boom 88° - 30°



Boom configuration for boom lengths 20 m - 83 m – see table 1 on page 12

Fixed jib configuration for fixed jib lengths (11 m - 35 m)

	Length	Amount of fixed jib extensions							
Fixed jib foot	7.0 m	1	1	1	1	1	1	1	1
Fixed jib insert	3.0 m		1		1		1		1
Fixed jib insert	6.0 m			1	1			1	1
Fixed jib insert	12.0 m					1	1	1	1
Fixed jib head	7.0 m	1	1	1	1	1	1	1	1
Fixed jib length (m)		14	17	20	23	26	29	32	35

Lift chart - fixed jib (No. 1713.xx)

Offset 15°

Main boom 20 m

Radius	Jib length in (m)			
	14	23	29	35
(m)	t	t	t	t
13	42.9			
15	38.3	26.4		
16	36.6	25.2	21.2	18.4
18	33.9	23.2	19.3	16.7
20	31.3	21.3	17.8	15.5
24	27.6	18.6	15.5	13.4
28	24.0	16.5	13.7	11.8
32	21.7	14.7	12.2	10.6
36		13.3	11.0	9.4
42		11.7	9.6	8.1
48			8.6	7.1
50				6.9

Main boom 29 m

Radius	Jib length in (m)			
	14	23	29	35
(m)	t	t	t	t
12	53.1			
13	49.9	32.9		
14	47.4	31.1	25.6	
16	43.0	28.8	23.2	19.5
20	36.7	24.3	19.8	16.7
24	31.3	21.1	17.3	14.5
32	25.1	16.8	13.7	11.4
36	23.0	15.3	12.4	10.3
40	21.3	14.0	11.4	9.4
50		11.9	9.4	7.6
55			8.7	7.0
60				6.5

Main boom 38 m

Radius	Jib length in (m)			
	14	23	29	35
(m)	t	t	t	t
10	58.6			
12	55.6	34.5		
14	50.4	31.4	25.4	
16	46.2	29.6	23.4	19.7
20	39.7	25.2	20.4	17.1
28	31.0	20.0	16.0	13.5
36	25.9	16.5	13.2	11.1
44	22.4	14.1	11.3	9.3
48	21.1	13.3	10.5	8.7
55		12.1	9.5	7.7
60			8.9	7.2
70				5.7

Main boom 47 m

Radius	Jib length in (m)			
	14	23	29	35
(m)	t	t	t	t
9	60.0			
12	56.1	35.4		
14	52.9	32.7	26.0	
16	48.6	30.2	24.1	19.8
20	42.9	26.6	21.3	17.3
28	34.1	21.5	17.2	14.0
36	28.5	18.0	14.4	11.6
44	24.3	15.6	12.3	9.9
55	16.7	13.3	10.3	8.3
65		12.0	9.2	7.2
70			8.7	6.8
75				6.5

Main boom 56 m

Radius	Jib length in (m)			
	14	23	29	35
(m)	t	t	t	t
8.5	60.0			
12	57.1	34.9		
14	54.2	32.5	25.6	
17	48.8	29.4	23.3	19.1
20	44.6	27.0	21.3	17.6
28	36.1	22.2	17.6	14.4
36	30.5	19.0	14.9	12.2
44	23.5	16.4	12.9	10.6
65	11.4	12.1	9.7	7.7
70		10.3	9.2	7.3
75			8.8	7.0
85				6.4

Main boom 62 m

Radius	Jib length in (m)			
	14	23	29	35
(m)	t	t	t	t
8.7	60.0			
12	57.1	34.8		
15	53.2	31.5	24.7	
17	49.9	29.6	23.4	19.1
28	37.4	22.9	17.9	14.6
36	31.2	19.6	15.3	12.5
44	23.0	17.0	13.4	10.9
55	15.4	14.7	11.4	9.1
70	9.0	9.7	9.6	7.6
75		8.0	8.5	7.2
85			5.4	5.8
90				4.4

Main boom 68 m

Radius	Jib length in (m)			
	14	23	29	35
(m)	t	t	t	t
8.9	57.9			
13	53.3	33.4		
15	51.3	31.7	24.7	
17	49.3	29.9	23.4	19.1
28	39.0	23.5	18.2	14.8
36	31.1	20.1	15.7	12.8
44	22.4	17.7	13.8	11.2
55	14.9	15.1	11.8	9.5
75	6.6	7.4	7.9	7.5
80		5.7	6.3	6.6
90			3.4	3.8
95				2.6

Main boom 77 m

Radius	Jib length in (m)			
	14	23	29	35
(m)	t	t	t	t
9.2	51.4			
13	48.3	33.7		
15	46.5	31.8	24.7	
17	45.2	30.3	23.5	18.9
28	36.8	24.1	18.7	15.0
36	29.3	20.9	16.3	13.1
44	21.7	18.5	14.4	11.4
55	14.1	14.9	12.4	9.8
75	5.6	6.4	6.9	7.2
80	4.0	4.7	5.3	5.6
85		3.3	3.8	4.2
90			2.5	2.9

Main boom 83 m

Radius	Jib length in (m)			
	14	17	20	23
(m)	t	t	t	t
9.4	48.1			
11	47.0	43.0		
12	46.4	42.3	38.8	
13	45.7	41.8	37.7	32.6
16	43.4	39.8	35.1	30.4
20	41.0	37.6	32.1	27.6
28	36.1	32.7	27.5	23.7
36	28.2	26.9	24.1	20.7
44	20.7	20.9	21.0	18.6
55	13.6	13.8	14.1	14.3
75	4.9	5.1	5.4	5.6
85		2.1	2.4	2.6

TLT xxxxxxxx - Nxxxxxx Offiziell

Capacities in metric tonnes with fixed jib (No. 1713.xx), 124 counterweight + 57 t carbody counterweight. Above lift chart is for reference only. For actual lift duty and complete chart with all available configurations please refer to lift chart in operator's cab or manual.

Lift chart - fixed jib (No. 1713.xx)

Offset 30°

Main boom 20 m

Radius	Jib length in (m)			
	14	23	29	35
(m)	t	t	t	t
15	29.1			
18	26.3	17.7		
20	25.0	16.6	13.7	
24	23.7	14.8	12.1	10.3
28	21.7	13.7	11.1	9.3
32	20.6	13.1	10.3	8.6
34	20.2	12.7	10.0	8.2
42		11.5	8.9	7.3
46			8.5	6.8
48			8.4	6.6
50				6.4
55				6.3

Main boom 29 m

Radius	Jib length in (m)			
	14	23	29	35
(m)	t	t	t	t
14	34.1			
17	30.9	20.6		
20	28.4	18.9	15.4	
24	25.8	17.1	13.9	11.5
28	23.8	15.5	12.6	10.4
32	22.2	14.3	11.5	9.5
36	21.0	13.4	10.7	8.7
40	20.4	12.6	9.9	8.1
42	15.1	12.3	9.7	7.8
50		11.6	8.7	6.9
55			8.5	6.5
60				6.3

Main boom 38 m

Radius	Jib length in (m)			
	14	23	29	35
(m)	t	t	t	t
13	36.0			
17	32.0	20.4		
20	30.0	18.9	15.3	
24	27.3	17.3	13.9	11.6
28	25.4	16.0	12.7	10.6
32	23.7	14.9	11.8	9.7
40	21.4	13.1	10.4	8.4
44	20.7	12.5	9.8	7.9
50	15.1	11.8	9.1	7.3
55		11.5	8.6	6.9
60			8.4	6.5
70				6.3

Main boom 47 m

Radius	Jib length in (m)			
	14	23	29	35
(m)	t	t	t	t
11.4	30.1			
17	33.0	20.9		
22	29.8	18.8	14.8	
24	28.5	18.0	14.2	11.6
28	26.7	16.8	13.2	10.7
32	25.0	15.7	12.4	9.9
40	22.6	14.0	11.0	8.7
44	21.7	13.3	10.4	8.2
55	16.9	12.0	9.2	7.2
65		11.7	8.6	6.5
70			8.5	6.4
75				6.3

Main boom 56 m

Radius	Jib length in (m)			
	14	23	29	35
(m)	t	t	t	t
11.7	30.1			
17	33.5	19.7		
22	30.4	18.6	14.7	
24	29.7	18.1	14.2	11.0
32	26.3	15.9	12.4	10.1
40	23.7	14.4	11.1	9.0
48	20.8	13.1	10.1	8.1
55	16.2	12.4	9.4	7.5
65	11.5	11.6	8.7	6.8
70		10.4	8.5	6.6
80			7.6	6.3
85				6.3

Main boom 62 m

Radius	Jib length in (m)			
	14	23	29	35
(m)	t	t	t	t
11.9	30.1			
18	33.2	20.1		
22	30.9	18.7	14.7	
26	29.2	17.6	13.7	11.2
32	26.8	16.2	12.6	10.2
40	24.3	14.7	11.3	9.1
55	15.7	12.7	9.7	7.7
65	11.0	11.9	8.9	7.0
70	9.1	10.1	8.6	6.7
75		8.2	8.5	6.5
85			5.5	6.1
90				4.6

Main boom 68 m

Radius	Jib length in (m)			
	14	23	29	35
(m)	t	t	t	t
12.2	37.2			
18	33.4	20.1		
22	31.3	18.8	14.7	
26	29.8	17.8	13.8	11.2
32	27.3	16.4	12.7	10.2
40	24.8	14.9	11.5	9.2
48	19.8	13.7	10.6	8.4
65	10.6	11.5	9.1	7.1
75	6.7	7.7	8.4	6.6
80		6.0	6.7	6.4
90			3.6	4.2
95				2.8

Main boom 77 m

Radius	Jib length in (m)			
	14	23	29	35
(m)	t	t	t	t
12.5	36.7			
18	33.3	20.4		
22	31.5	19.2	14.8	
26	29.8	18.2	14.0	11.1
32	27.8	16.8	13.0	10.2
40	25.2	15.4	11.9	9.3
48	19.1	14.3	10.9	8.5
65	9.9	10.8	9.5	7.3
75	5.9	6.9	7.5	6.7
80	4.2	5.1	5.9	6.4
90		2.2	2.9	3.4
95				2.1

Main boom 83 m

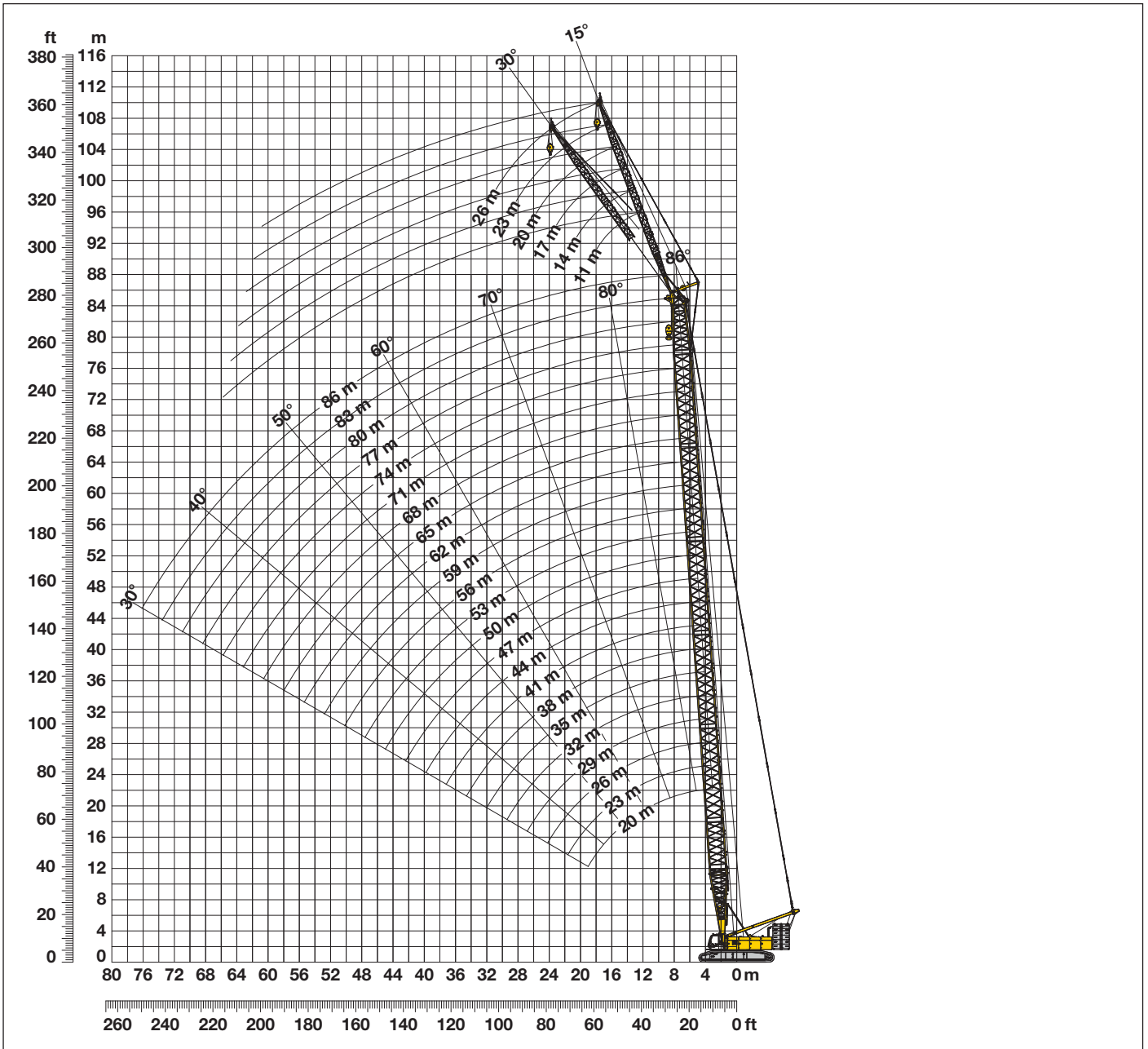
Radius	Jib length in (m)			
	14	17	20	23
(m)	t	t	t	t
12.7	36.4			
15	35.0	28.5		
17	33.9	27.7	23.3	
18	33.4	27.3	23.0	19.8
24	30.8	25.2	21.2	18.2
32	27.8	22.9	19.3	16.5
40	25.0	21.0	17.8	15.2
48	18.6	18.3	16.4	14.2
55	14.1	14.4	14.7	13.4
65	9.2	9.6	10.0	10.4
75	5.2	5.5	5.9	6.2
85	2.0	2.3	2.7	3.0

TLT xxxxxxxx - Nxxxxxx Offiziell

Capacities in metric tonnes with fixed jib (No. 1713.xx), 124 counterweight + 57 t carbody counterweight. Above lift chart is for reference only. For actual lift duty and complete chart with all available configurations please refer to lift chart in operator's cab or manual.

Working range - fixed jib (No. 1008.xx) 15° und 30°

Main boom 88° - 30°



Boom configuration for boom lengths 20 m - 86 m – see table 1 on page 12

Fixed jib configuration for fixed jib lengths (11 m - 26 m)

	Length	Amount of fixed jib extensions					
Fixed jib foot	5.5 m	1	1	1	1	1	1
Fixed jib insert	3.0 m		1		1		1
Fixed jib insert	6.0 m			1	1	2	2
Fixed jib head	5.5 m	1	1	1	1	1	1
Fixed jib length (m)		11	14	17	20	23	26

Lift chart - fixed jib (No. 1008.xx)

Offset 15°

Main boom 20 m

Radius	Jib length in (m)			
	11	14	20	26
(m)	t	t	t	t
13	44.3			
14	44.0	34.9		
16	40.6	33.1	23.9	
17	38.2	32.1	22.8	16.7
18	36.1	30.4	21.7	16.1
20	32.8	27.5	19.9	15.2
24	27.8	24.1	16.9	13.6
28	24.9	20.6	14.8	11.9
30	23.2	19.4	13.9	11.2
32		18.2	13.2	10.6
38			11.4	9.1
44				8.0

Main boom 29 m

Radius	Jib length in (m)			
	11	14	20	26
(m)	t	t	t	t
11	45.0			
12	45.0	38.3		
14	44.5	37.3	27.0	
16	43.8	35.8	25.2	17.6
20	38.9	32.9	22.0	15.7
28	28.9	25.4	17.0	13.2
32	26.8	22.3	15.3	11.7
36	24.1	20.2	13.9	10.7
38	22.9	19.2	13.4	10.2
40		18.3	13.0	9.8
46			11.5	8.7
50				8.2

Main boom 38 m

Radius	Jib length in (m)			
	11	14	20	26
(m)	t	t	t	t
10	45.0	39.2		
12	45.0	38.1	28.2	
14	45.0	37.0	26.6	18.9
16	43.9	36.2	25.2	17.7
20	40.9	32.7	22.9	16.0
28	33.2	26.5	18.5	13.7
36	27.0	22.0	15.2	11.6
44	23.1	18.9	13.1	10.0
46	22.3	18.2	12.7	9.6
48		17.7	12.3	9.3
55			11.1	8.4
60				7.9

Main boom 47 m

Radius	Jib length in (m)			
	11	14	20	26
(m)	t	t	t	t
9	45.0	40.2		
11	45.0	39.2	29.5	
13	44.4	38.4	28.0	19.3
16	43.2	36.5	26.0	17.8
20	39.3	33.8	23.7	16.3
28	34.3	28.9	19.9	14.1
36	30.5	26.0	16.7	12.5
44	24.4	21.6	14.5	10.8
50	19.9	19.2	13.2	9.8
55		17.3	12.4	9.1
60			11.6	8.6
65				8.1

Main boom 56 m

Radius	Jib length in (m)			
	11	14	20	26
(m)	t	t	t	t
7.1	45.0			
9	45.0	39.6		
11	45.0	38.6	28.6	
13	45.0	37.6	27.3	19.1
20	38.3	32.8	23.4	16.4
28	34.1	28.5	20.2	14.4
36	32.1	25.9	17.6	13.2
44	23.6	22.3	15.3	11.4
55	16.1	16.5	13.1	9.8
60	13.6	14.0	12.4	9.2
70			10.7	8.3
75				7.9

Main boom 62 m

Radius	Jib length in (m)			
	11	14	20	26
(m)	t	t	t	t
7.3	45.0			
9	45.0	39.4		
11	44.5	38.5	28.3	
14	43.3	36.7	26.4	18.5
20	36.9	32.1	23.4	16.3
36	30.0	25.4	18.4	13.3
44	23.1	22.4	15.9	11.9
55	15.5	15.9	13.7	10.2
65	11.0	11.3	12.0	9.0
70		9.5	10.2	8.6
75			8.6	8.3
80				7.5

Main boom 68 m

Radius	Jib length in (m)			
	11	14	20	26
(m)	t	t	t	t
7.5	45.0			
9	45.0	39.2		
11	44.1	38.3	27.8	
14	41.5	35.9	26.2	18.4
20	35.7	31.6	23.4	16.2
36	29.2	25.7	18.9	13.4
44	22.5	22.1	16.5	12.3
55	15.0	15.4	14.1	10.6
70	8.6	9.0	9.7	8.9
75		7.2	7.9	8.5
80			6.3	6.9
85				5.5

Main boom 83 m

Radius	Jib length in (m)			
	11	14	20	26
(m)	t	t	t	t
8	42.5			
10	40.5	36.8		
12	38.7	35.1	26.5	
14	36.8	33.6	25.4	17.7
20	31.6	29.6	22.9	15.8
28	28.4	26.1	20.7	14.3
36	28.4	25.4	19.3	13.4
44	21.0	21.2	17.8	12.7
55	13.6	14.0	14.5	11.2
75	5.1	5.5	6.2	6.9
85	2.1	2.5	3.2	3.8
90				2.5

Main boom 86 m

Radius	Jib length in (m)		
	11	14	17
(m)	t	t	t
8.1	42.0		
10	40.1	36.0	
11	39.2	35.1	31.6
16	34.8	31.4	28.5
20	30.8	28.8	26.8
28	26.7	24.9	23.7
36	26.7	24.5	22.7
44	20.4	20.8	20.4
55	13.3	13.7	14.2
75	4.7	5.0	5.5
80	3.1	3.5	3.9
85		2.1	2.5

TLT xxxxxxxx - Nxxxxxx Offiziell

Capacities in metric tonnes with fixed jib (No. 1008.xx), 124 counterweight + 57 t carbody counterweight. Above lift chart is for reference only. For actual lift duty and complete chart with all available configurations please refer to lift chart in operator's cab or manual.

Lift chart - fixed jib (No. 1008.xx)

Offset 30°

Main boom 20 m

Radius	Jib length in (m)			
	11	14	20	26
(m)	t	t	t	t
15	28.9			
16	28.0	22.9		
19	25.2	20.8	14.6	
22	22.8	18.6	13.3	10.6
24	21.4	17.5	12.5	9.9
26	20.2	16.6	11.8	9.4
28	19.4	15.8	11.2	8.9
30	18.8	15.2	10.7	8.5
32		14.8	10.3	8.0
34		14.5	9.9	7.7
40			9.3	6.9
46				6.5

Main boom 29 m

Radius	Jib length in (m)			
	11	14	20	26
(m)	t	t	t	t
13	33.3			
15	30.9	27.0		
18	28.3	24.2	16.0	
20	27.1	22.4	15.0	11.5
24	24.0	20.0	14.0	10.3
28	21.8	18.0	12.6	9.4
32	20.1	16.6	11.4	8.6
36	19.0	15.6	10.6	8.0
38	18.6	15.3	10.3	7.7
42		15.1	9.8	7.2
48			9.3	6.7
50				6.7

Main boom 38 m

Radius	Jib length in (m)			
	11	14	20	26
(m)	t	t	t	t
12	35.8			
13	34.7	27.7		
16	31.3	26.2	17.0	
19	29.1	23.8	15.7	12.0
20	28.4	23.3	15.3	11.7
24	26.3	20.8	14.5	10.6
32	22.1	17.5	12.0	9.0
40	19.5	15.6	10.5	7.9
46	18.5	14.8	9.8	7.3
48		14.6	9.6	7.1
55			9.3	6.7
60				6.6

Main boom 47 m

Radius	Jib length in (m)			
	11	14	20	26
(m)	t	t	t	t
11	37.9			
12	36.6	29.8		
15	33.5	28.5	17.9	
19	30.1	25.5	16.2	12.1
24	27.6	22.6	14.6	10.8
32	23.7	19.2	12.7	9.3
40	21.0	17.1	11.3	8.3
48	19.2	15.6	10.3	7.5
50	19.0	15.4	10.1	7.4
55		15.0	9.8	7.0
60			9.6	6.7
65				6.6

Main boom 56 m

Radius	Jib length in (m)			
	11	14	20	26
(m)	t	t	t	t
9.7	39.8			
12	37.4	30.1		
16	33.6	27.4	17.2	
19	31.1	25.5	16.1	12.1
24	28.7	23.0	14.7	10.9
32	25.3	19.8	12.9	9.7
40	22.4	17.5	11.6	8.6
48	20.3	16.1	10.6	7.8
60	13.8	14.1	9.6	7.0
65		12.0	9.5	6.8
70			9.3	6.7
75				6.6

Main boom 62 m

Radius	Jib length in (m)			
	11	14	20	26
(m)	t	t	t	t
9.9	39.6			
12	37.6	29.2		
16	34.1	27.4	17.3	
20	31.0	25.1	15.9	11.9
24	29.5	23.2	14.9	11.0
32	26.3	20.3	13.6	9.8
40	23.2	18.1	12.0	8.8
48	20.3	16.5	10.9	8.0
65	11.1	11.5	9.6	6.9
70		9.6	9.4	6.7
75			8.7	6.6
80				6.6

Main boom 68 m

Radius	Jib length in (m)			
	11	14	20	26
(m)	t	t	t	t
10.2	38.7			
12	37.0	28.8		
16	33.6	26.8	17.3	
20	30.8	24.7	16.1	11.9
32	26.0	20.4	13.9	9.9
40	23.4	18.6	12.3	8.9
48	19.8	17.1	11.2	8.2
65	10.7	11.1	9.8	7.1
70	8.8	9.2	9.5	6.9
75		7.3	8.2	6.7
80			6.5	6.7
85				5.7

Main boom 83 m

Radius	Jib length in (m)			
	11	14	20	26
(m)	t	t	t	t
10.7	32.9			
13	31.5	27.2		
17	29.0	25.0	17.2	
20	27.7	23.7	16.5	11.8
24	26.3	22.3	15.6	11.2
32	25.2	20.6	14.1	10.1
40	23.8	19.8	12.8	9.2
48	18.5	17.0	11.9	8.5
65	9.3	9.8	10.0	7.4
75	5.3	5.8	6.7	6.9
85	2.2	2.6	3.5	4.3
90			2.1	2.9

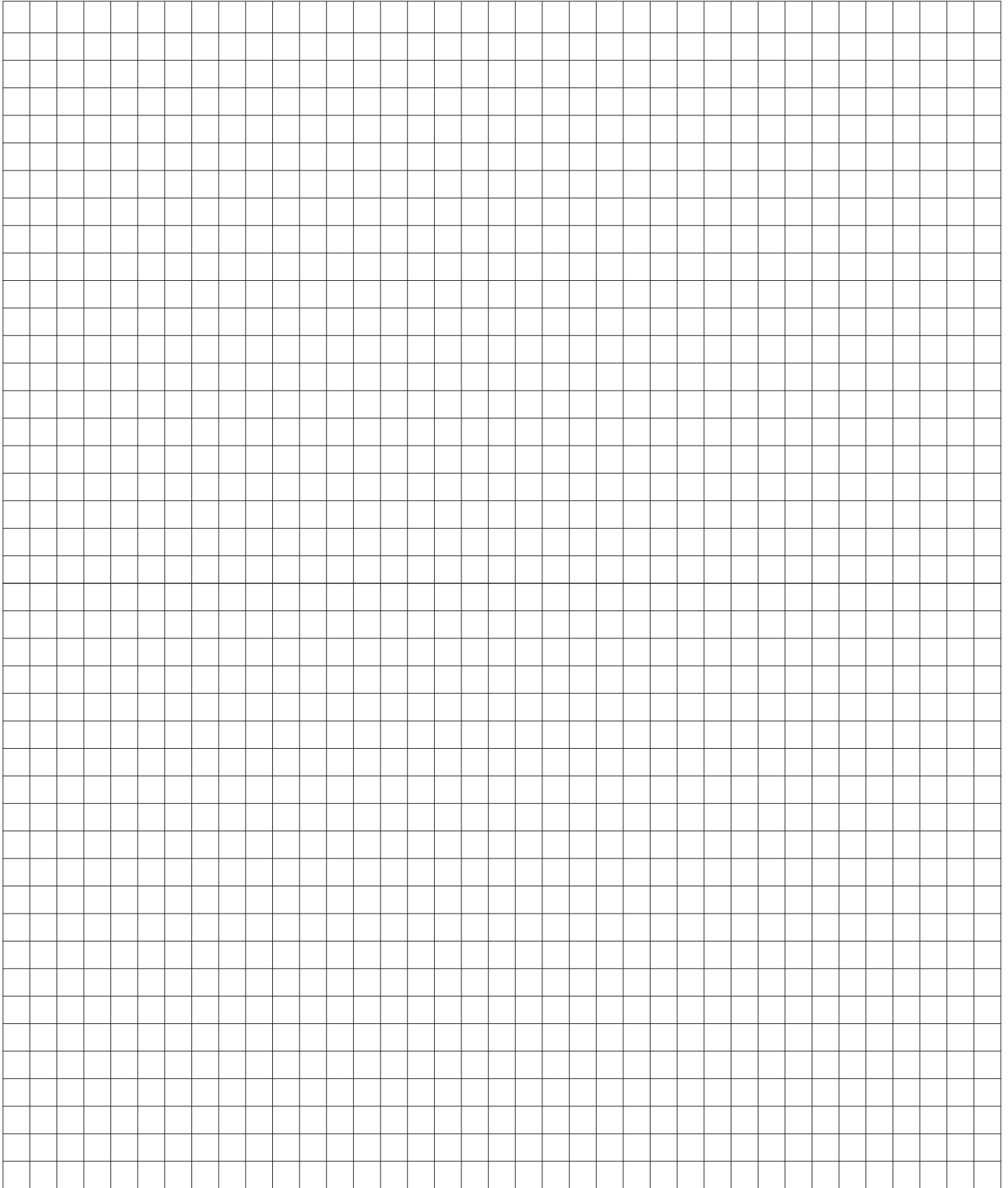
Main boom 86 m

Radius	Jib length in (m)		
	11	14	17
(m)	t	t	t
10.8	32.6		
13	31.0	26.3	
15	29.8	25.3	21.1
18	28.1	23.8	20.0
24	25.7	21.6	18.3
32	24.8	20.0	16.6
40	24.3	19.3	15.1
48	18.1	16.8	14.1
65	8.9	9.4	9.9
75	4.9	5.4	5.9
80	3.3	3.7	4.2
85		2.3	2.7

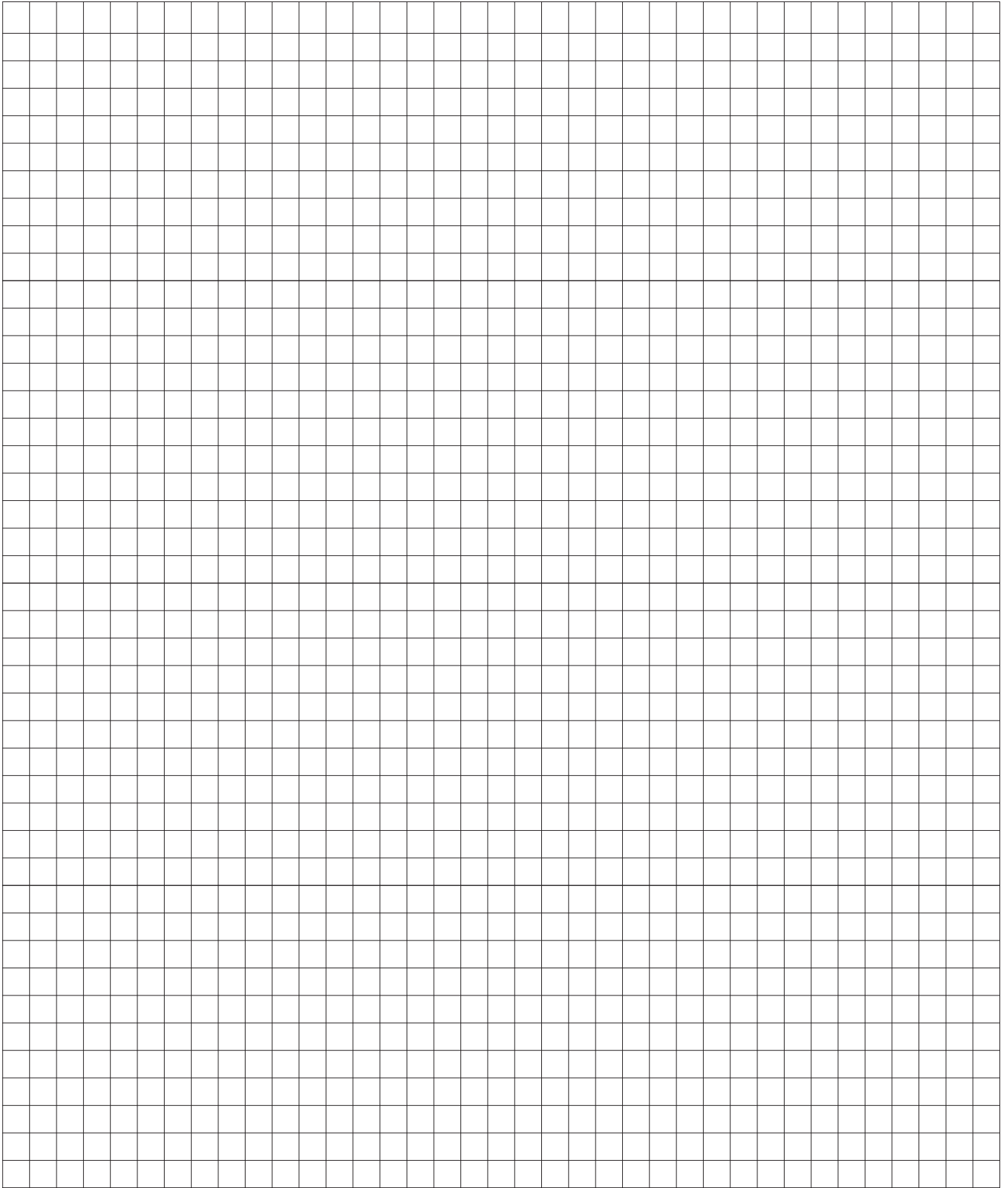
TLT xxxxxxxx - Nxxxxxx Offiziell

Capacities in metric tonnes with fixed jib (No. 1008.xx), 124 counterweight + 57 t carbody counterweight. Above lift chart is for reference only. For actual lift duty and complete chart with all available configurations please refer to lift chart in operator's cab or manual.

Notice



Notice



Liebherr-Werk Nenzing GmbH

Dr. Hans Liebherr Str. 1, 6710 Nenzing/Austria
Tel.: +43 50809 41-473, Fax: +43 50809 41-499
crawler.crane@liebherr.com, www.liebherr.com
facebook.com/LiebherrConstruction