

Equipment information crawler excavators

R 922 - R 976

Litronic®

Litronic®

Multi-User

Generation

8 and 6

Engine

161 – 536 HP / 120 – 400 kW

Tier 4 Final

Operating weight

24,350 – 97,800 kg / 53,680 – 215,610 lb

Maximum reach

14.0 – 23.6 m / 45'11" – 77'5"



LIEBHERR

Applications



	Engine output	Operating weight
R 922 G8	161 HP / 120 kW	24,350 – 25,300 kg / 53,680 – 55,780 lb
R 926 G8	201 HP / 150 kW	30,200 – 31,850 kg / 66,580 – 70,220 lb
R 930 G8	241 HP / 180 kW	32,800 – 38,850 kg / 72,310 – 85,650 lb
R 938 G8	295 HP / 220 kW	40,500 – 43,000 kg / 89,290 – 94,800 lb
R 945 G8	295 HP / 220 kW	44,400 – 49,700 kg / 97,890 – 109,570 lb
R 956 G6	322 HP / 240 kW	54,800 – 61,950 kg / 120,810 – 136,580 lb
R 976 G6	536 HP / 400 kW	89,550 – 97,800 kg / 197,420 – 215,610 lb



Maximum reach

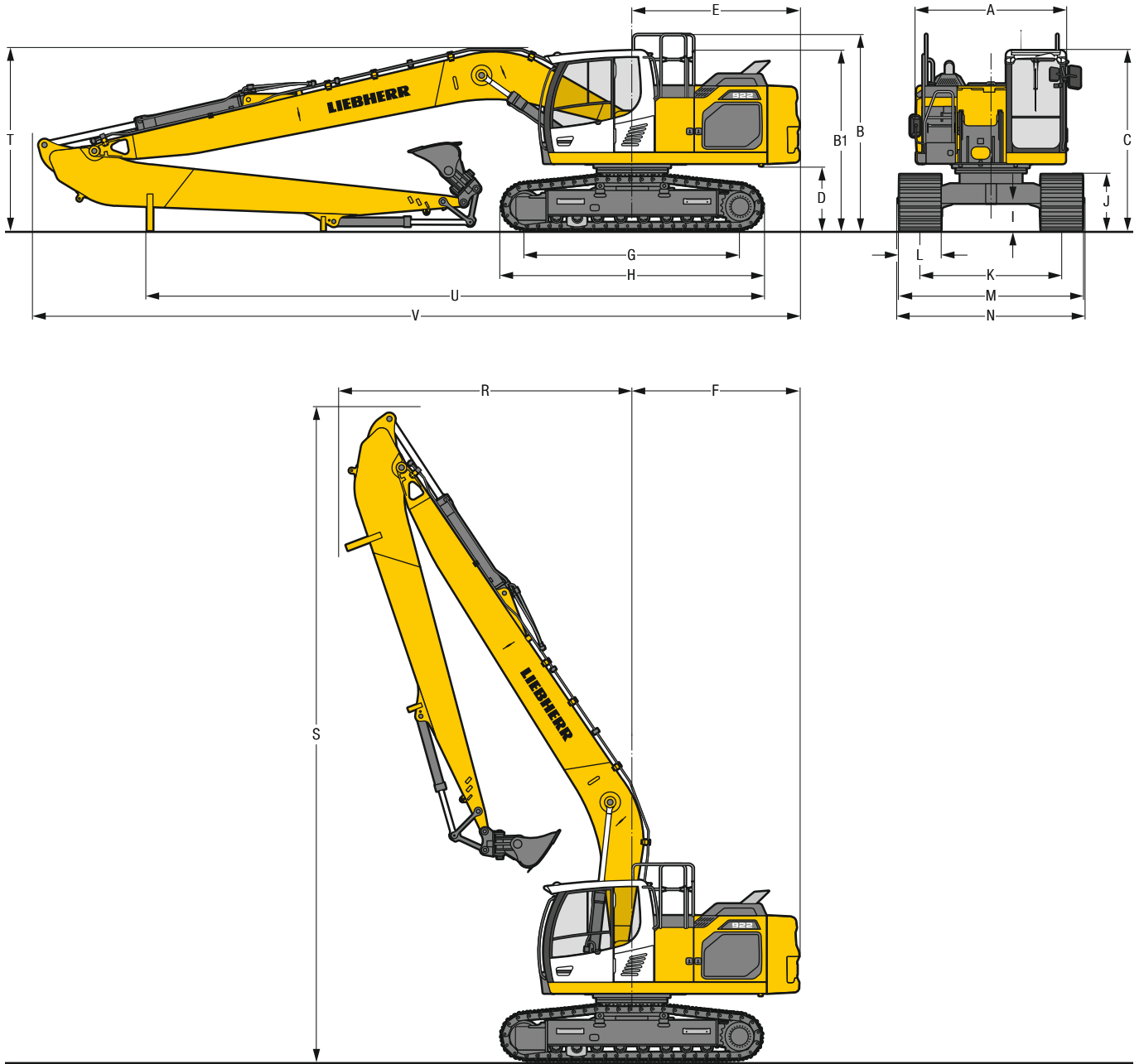
15.5 m/50'10"
14.0 – 18.1 m/45'11" – 59' 5"
14.0 – 18.1 m/45'11" – 59' 5"
15.4 – 19.5 m/50' 6" – 64'
15.4 – 19.5 m/50' 6" – 64'
16.1 – 23.6 m/52'10" – 77' 5"
20.4 – 23.3 m/66'11" – 76' 5"

Multi-User

- For long reach excavation
- Universal design for long reach excavation or ditch cleaning
- Designed and manufactured by Liebherr

Dimensions

R 922



		LC						mm/ft in
A	Uppercarriage width							2 545** / 8' 4***
B	Uppercarriage height							3,335 / 10' 11"
B1	Uppercarriage height (handrails folded)							3,060 / 10'
C	Cab height							3,060 / 10'
D	Counterweight ground clearance							1,100 / 3' 7"
E	Rear-end length							2,830 / 9' 3"
F	Tail swing radius							2,880 / 9' 5"
G	Wheelbase							3,640 / 11' 11"
H	Undercarriage length							4,435 / 14' 7"
I	Undercarriage ground clearance							485 / 1' 7"
J	Track height							960 / 3' 2"
K	Track gauge							2,390 / 7' 10"
L	Track pad width	500 / 20"	600 / 24"	700 / 28"	750 / 30"	800 / 31"	900 / 35"	
M	Width over tracks	2,890 / 9' 6"	2,990 / 9' 10"	3,090 / 10' 2"	3,140 / 10' 4"	3,190 / 10' 6"	3,290 / 10' 10"	
N	Width over steps	2,925 / 9' 7"	2,925 / 9' 7"	3,125 / 10' 3**	3,125 / 10' 3**	3,125 / 10' 3**	3,225 / 10' 7**	

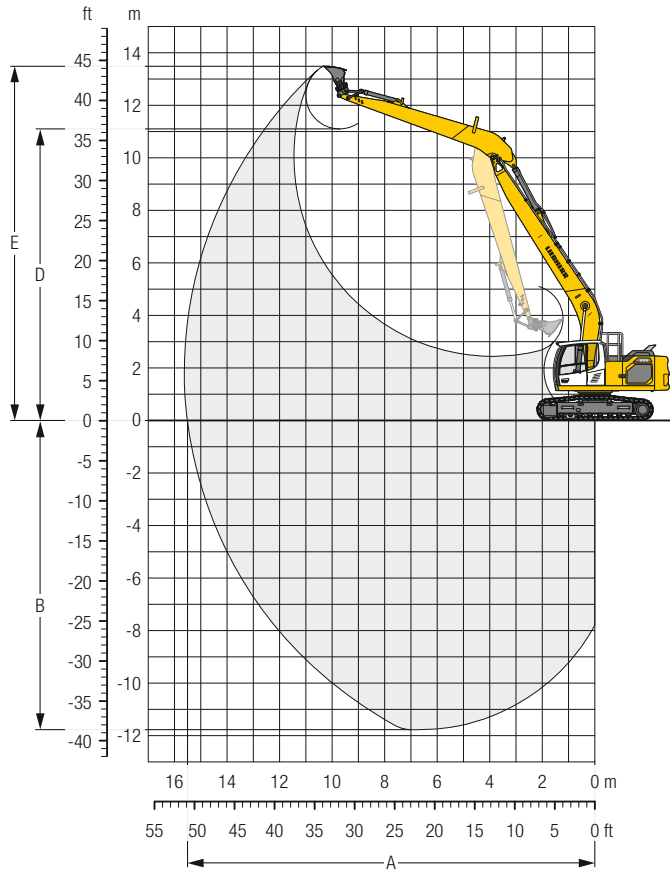
* width with removable steps

** without door stop device and spacer

		Stick length m/ft in	Mono boom 8.90 m/29'2" Direct mounting mm/ft in
R	Front swing radius	6.30 / 20'8"	4,950 / 16'3"
S	Height with boom up		11,050 / 36'3"
T	Boom height	6.30 / 20'8"	3,100 / 10'2"
U	Length on ground	6.30 / 20'8"	10,400 / 34'1"
V	Overall length	6.30 / 20'8"	12,950 / 42'6"
	Bucket		0.50 m ³ / 0.65 yd ³

Multi-User equipment with mono boom 8.90 m/29'2"

R 922



Digging envelope

Stick length	m/ft in	6.30/20' 8"
A Max. reach at ground level	m/ft in	15.51/50'11"
B Max. digging depth	m/ft in	11.77/38' 7"
D Max. dumping height	m/ft in	11.11/36' 5"
E Max. cutting height	m/ft in	13.49/44' 3"

Forces

Stick digging force (ISO 6015)	kN/lbf	63/14,160
Bucket digging force (ISO 6015)	kN/lbf	108/24,280
Stick digging force (SAE J1179)	kN/lbf	62/13,940
Bucket digging force (SAE J1179)	kN/lbf	97/21,810

Operating weight and ground pressure

The operating weight includes the basic machine with counterweight 5.6 t/12,350 lb, mono boom 8.90 m/29'2", stick 6.30 m/20'8" and bucket 0.50 m³/0.65 yd³ (400 kg/880 lb).

Undercarriage	LC			
Pad width	mm/in	600/24"	750/30"	900/35"
Weight	kg/lb	24,350/53,680	24,750/54,560	25,300/55,780
Ground pressure	kg/cm ² /psi	0.52/7.4	0.42/6.0	0.36/5.1

Stick 6.30 m / 20'8"

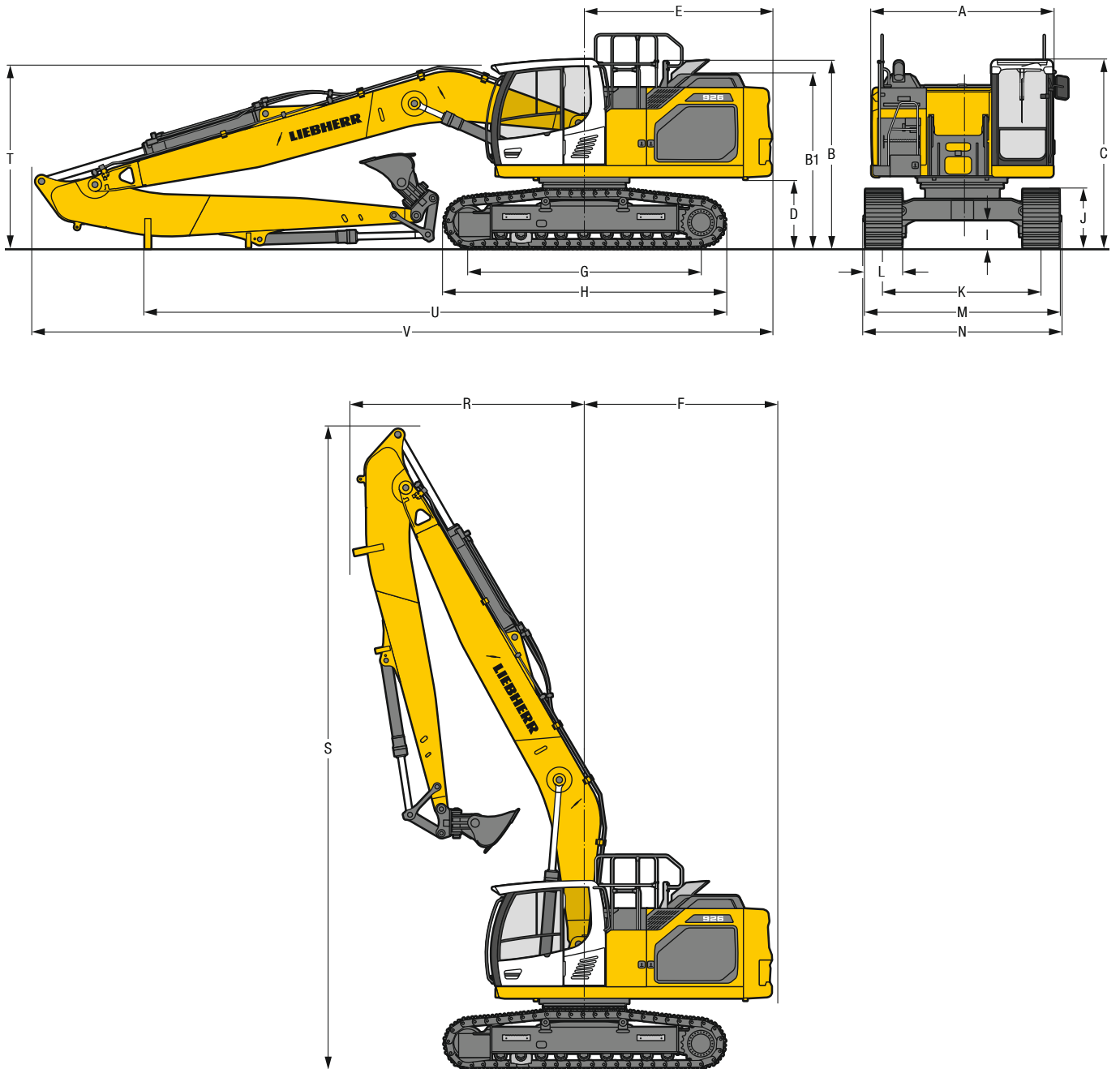
Under-carriage	3.0 m 10 ft		4.5 m 15 ft		6.0 m 20 ft		7.5 m 25 ft		9.0 m 30 ft		10.5 m 35 ft		12.0 m 40 ft		13.5 m 45 ft		m		ft in			
	↕	↔	↕	↔	↕	↔	↕	↔	↕	↔	↕	↔	↕	↔	↕	↔	↕	↔				
12.0 m 40 ft	t																1.8*	1.8*	10.1			
10.5 m 35 ft	t										2.3*	2.3*					4.1*	4.1*	32'7"			
9.0 m 30 ft	t										2.5*	2.5*		2.0	2.1*		3.9*	3.9*	37'1"			
7.5 m 25 ft	t										2.6*	2.6*		2.0	2.5*		3.8*	3.8*	40'7"			
6.0 m 20 ft	t										5.6	5.6*		4.2	5.3*		1.6	1.7*	13.2			
4.5 m 15 ft	t										2.9*	2.9*		1.9	2.7*	1.5	2.0*	1.4	1.7*	13.7		
3.0 m 10 ft	t										6.3*	6.3*		4.1	5.8*	3.2	3.8*	3.1	3.8*	45'		
1.5 m 5 ft	t										3.6*	3.6*		1.8	2.8*	1.4	2.3	1.3	1.7*	14.1		
0 m 0 ft	t										7.9*	7.9*		3.1	4.8*	3.1	4.8*	2.9	3.8*	46'4"		
-1.5 m -5 ft	t	9.0*	9.0*	7.3*	7.3*	5.2	5.3*	3.8	4.3*	2.8	3.7*	2.2	3.3*	1.7	2.7	1.4	2.2	1.2	1.8*	14.3		
-3.0 m -10 ft	t			6.7	6.7*	4.6	6.3*	3.4	4.9*	2.6	4.1	2.1	3.2	1.6	2.6	1.3	2.1	1.2	1.9	14.3		
-4.5 m -15 ft	t			14.5	15.9*	10.0	13.6*	7.4	10.6*	5.6	8.7	4.4	6.9	3.5	5.6	2.8	4.6	2.6	4.2	47'1"		
-6.0 m -20 ft	t			2.2*	2.2*	5.1*	5.1*	4.2	6.9	3.1	5.0	2.4	3.8	1.9	3.1	1.5	2.5	1.3	2.1	1.1	1.9	14.2
-7.5 m -25 ft	t			4.9*	4.9*	11.7*	11.7*	9.0	14.8	6.7	10.7	5.2	8.3	4.1	6.6	3.3	5.4	2.7	4.5	2.5	4.2	46'8"
-9.0 m -30 ft	t			3.1*	3.1*	5.3*	5.3*	3.9	6.6	2.9	4.8	2.3	3.7	1.8	3.0	1.5	2.4	1.2	2.0	1.1	1.9	13.9
-10.5 m -35 ft	t			7.0*	7.0*	12.1*	12.1*	8.5	14.1	6.3	10.3	4.9	7.9	3.9	6.4	3.2	5.2	2.6	4.4	2.5	4.3	45'8"
	t			4.2*	4.2*	5.8	6.2*	3.8	6.4	2.8	4.6	2.2	3.6	1.7	2.9	1.4	2.4			1.2	2.0	13.5
	t			9.4*	9.4*	12.4	13.9*	8.2	13.8	6.0	10.0	4.7	7.7	3.8	6.2	3.1	5.1			2.6	4.5	44'1"
	t			5.4*	5.4*	5.8	7.4*	3.8	6.4	2.8	4.6	2.1	3.5	1.7	2.9	1.4	2.4			1.3	2.2	12.8
	t			12.0*	12.0*	12.5	16.7*	8.1	13.8	5.9	9.9	4.6	7.6	3.7	6.1	3.1	5.1			2.9	4.8	41'11"
	t			6.7*	6.7*	5.9	8.9*	3.8	6.5	2.8	4.6	2.1	3.5	1.7	2.9					1.5	2.4	11.9
	t			15.1*	15.1*	12.8	20.2*	8.2	13.9	6.0	9.9	4.6	7.7	3.7	6.2					3.2	5.4	38'11"
	t			8.3*	8.3*	6.1	8.7*	3.9	6.6	2.9	4.7	2.2	3.6	1.8	2.9					1.7	2.8	10.8
	t			18.7*	18.7*	13.2	18.7*	8.5	14.2	6.2	10.1	4.8	7.8							3.9	6.4	35'
	t			10.0*	10.0*	6.4	7.4*	4.1	5.8*	3.0	4.6*	2.3	3.7*							2.3	3.6*	9.2
	t			21.2*	21.2*	13.9	15.7*	9.0	12.3*	6.5	9.9*									5.2	7.9*	29'7"
	t																			3.7*	3.7*	6.8

↕ Height ↔ Can be slewed through 360° In longitudinal position of undercarriage Max. reach * Limited by hydr. capacity

The load values are quoted in tons (t) / lb x 1,000 at stick end (without bucket), and may be swung 360° on firm and even ground. Adjacent values are valid for the undercarriage when in the longitudinal position. Capacities are valid for 750 mm / 30" wide track pads. Indicated loads are based on ISO 10567 standard and do not exceed 75% of tipping or 87% of hydraulic capacity (indicated via *). Without bucket cylinder, link and lever the lift capacities will increase by 208 kg / 460 lb. Lifting capacity of the excavator is limited by machine stability and hydraulic capacity. Determine maximum load lift from load lift chart displayed in the operator's cab or from load lift chart detailed in the operator's manual supplied with the machine.

Dimensions

R 926



		NLC					mm/ft in	
A	Uppercarriage width						2,990** / 9'10***	
B	Uppercarriage height						3,510 / 11' 6"	
B1	Uppercarriage height (handrails folded)						3,075 / 10' 1"	
C	Cab height						3,090 / 10' 2"	
D	Counterweight ground clearance						1,115 / 3' 8"	
E	Rear-end length						3,075 / 10' 1"	
F	Tail swing radius						3,200 / 10' 6"	
G	Wheelbase						3,830 / 12' 7"	
H	Undercarriage length						4,625 / 15' 2"	
I	Undercarriage ground clearance						495 / 1' 7"	
J	Track height						965 / 3' 2"	
K	Track gauge						2,390 / 7'10"	
L	Track pad width	500 / 20"	600 / 24"	700 / 28"	750 / 30"	800 / 31"	900 / 35"	
M	Width over tracks	2,890 / 9' 6"	2,990 / 9'10"	3,090 / 10' 2"	3,140 / 10' 4"	3,190 / 10' 6"	3,290 / 10'10"	
N	Width over steps	2,925 / 9' 7"	2,925 / 9' 7"	3,125* / 10' 3**	3,125* / 10' 3**	3,125* / 10' 3**	3,225* / 10' 7**	

		LC					mm/ft in	
A	Uppercarriage width						2,990** / 9'10***	
B	Uppercarriage height						3,510 / 11' 6"	
B1	Uppercarriage height (handrails folded)						3,075 / 10' 1"	
C	Cab height						3,090 / 10' 2"	
D	Counterweight ground clearance						1,115 / 3' 8"	
E	Rear-end length						3,075 / 10' 1"	
F	Tail swing radius						3,200 / 10' 6"	
G	Wheelbase						3,830 / 12' 7"	
H	Undercarriage length						4,625 / 15' 2"	
I	Undercarriage ground clearance						495 / 1' 7"	
J	Track height						965 / 3' 2"	
K	Track gauge						2,590 / 8' 6"	
L	Track pad width	500 / 20"	600 / 24"	700 / 28"	750 / 30"	800 / 31"	900 / 35"	
M	Width over tracks	3,090 / 10' 2"	3,190 / 10' 6"	3,290 / 10'10"	3,340 / 10'11"	3,390 / 11' 1"	3,490 / 11' 5"	
N	Width over steps	3,125 / 10' 3"	3,125 / 10' 3"	3,325* / 10'11**	3,325* / 10'11**	3,325* / 10'11**	3,425* / 11' 3**	

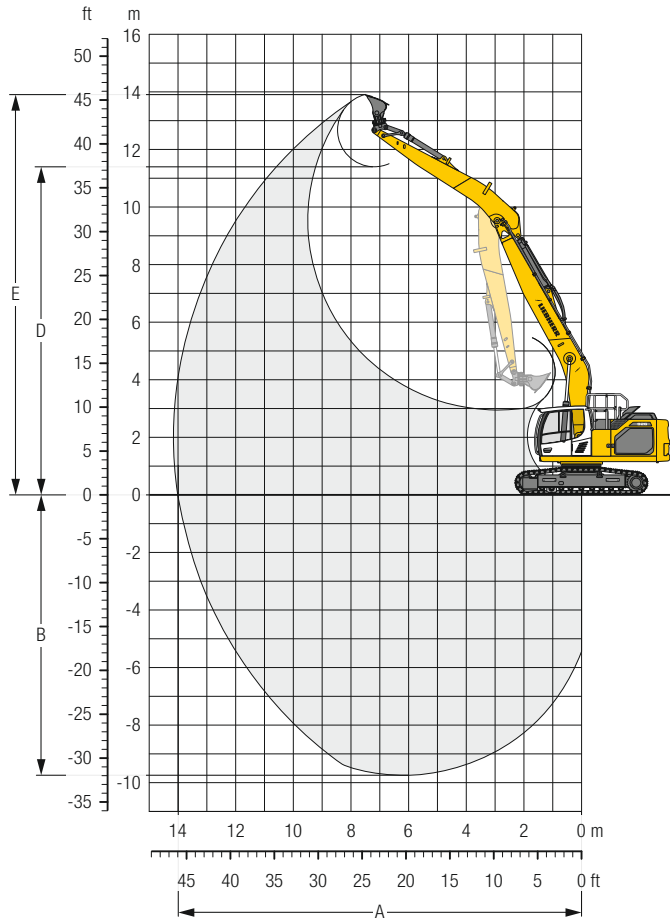
* width with removable steps

** without door stop device and spacer

	Stick length m/ft in	Mono boom 8.00 m/26'3" Direct mounting mm/ft in	Mono boom 10.20 m/33'6" Direct mounting mm/ft in
R	Front swing radius	5,30 / 17' 5" 7,90 / 25'11"	3,800 / 12' 6" – 5,000 / 16' 5"
S	Height with boom up	5,30 / 17' 5" 7,90 / 25'11"	10,550 / 34' 7" – 12,550 / 41' 2"
T	Boom height	5,30 / 17' 5" 7,90 / 25'11"	3,000 / 9'10" – 3,100 / 10' 2"
U	Length on ground	5,30 / 17' 5" 7,90 / 25'11"	9,500 / 31' 2" – 12,450 / 40'10"
V	Overall length	5,30 / 17' 5" 7,90 / 25'11"	12,150 / 39'10" – 14,400 / 47' 3"
	Bucket	0.95 m³ / 1.24 yd³	0.50 m³ / 0.65 yd³

Multi-User equipment with mono boom 8.00 m/29'2"

R 926



Digging envelope

Stick length	m/ft in	5.30/17' 5"
A Max. reach at ground level	m/ft in	14.00/45'11"
B Max. digging depth	m/ft in	9.74/31'11"
D Max. dumping height	m/ft in	11.40/37' 5"
E Max. cutting height	m/ft in	13.91/45' 8"

Forces

Stick digging force (ISO 6015)	kN/lbf	92/20,680
Bucket digging force (ISO 6015)	kN/lbf	173/38,890
Stick digging force (SAE J1179)	kN/lbf	89/20,010
Bucket digging force (SAE J1179)	kN/lbf	151/33,950

Operating weight and ground pressure

The operating weight includes the basic machine with counterweight 7.5 t/16,540 lb, mono boom 8.00 m/26'3", stick 5.30 m/17'5" and bucket 0.95 m³/1.24 yd³ (700 kg/1,540 lb).

Undercarriage	NLC			
Pad width	mm/in	600/24"	750/30"	900/35"
Weight	kg/lb	30,200/66,580	30,600/67,460	31,050/68,450
Ground pressure	kg/cm ² /psi	0.61/8.7	0.5/7.1	0.42/6.0

Undercarriage	LC			
Pad width	mm/in	600/24"	750/30"	900/35"
Weight	kg/lb	30,300/66,800	30,700/67,680	31,150/68,670
Ground pressure	kg/cm ² /psi	0.61/8.7	0.5/7.1	0.42/6.0

Stick 5.30 m / 17'5"

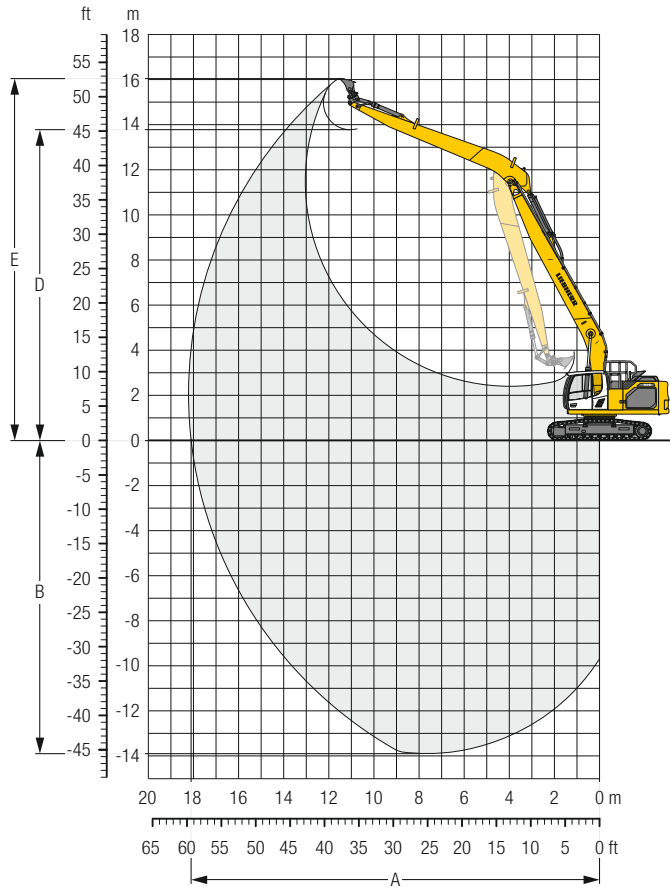
Under-carriage	3.0 m 10 ft		4.5 m 15 ft		6.0 m 20 ft		7.5 m 25 ft		9.0 m 30 ft		10.5 m 35 ft		12.0 m 40 ft		m ft in	
	↕	↕	↕	↕	↕	↕	↕	↕	↕	↕	↕	↕	↕	↕	↕	↕
12.0 m t																2.1*
40 ft lb								5,8*	5,8*							4,8*
10.5 m t										3.1*	3.1*					1.9*
35 ft lb										5,9*	5,9*					4,2*
9.0 m t										4.0*	4.0*	2.5*	2.5*			1.8*
30 ft lb										8,6*	8,6*	4,2*	4,2*			3,9*
7.5 m t										4.6*	4.6*	3.5	3.7*			1.7*
25 ft lb										9,9*	9,9*	7,5	7,6*			3,7*
6.0 m t								5.5*	5.5*	4.5	5.2*	3.4	4.4*	2.4*	2.4*	1.7*
20 ft lb								12,0*	12,0*	9,7	11,3*	7,4	9,4*	3,9*	3,9*	3,7*
4.5 m t					8.0	8.1*		5.7	6.9*	4.3	6.1*	3.3	5.1	2.6	3.3*	1.7*
15 ft lb					17,3*	17,3*		12,3	15,0*	9,2	13,2*	7,1	10,9	5,6	6,3*	3,7*
3.0 m t			11.0	12.8*	7.3	9.4*		5.3	7.6*	4.0	6.3	3.2	4.9	2.5	3.9*	1.7*
10 ft lb	13,2*	13,2*	23,8	27,5*	15,8	20,3*	11,5	16,5*	8,7	13,5	6,8	10,6	5,4	7,6*	3,8*	3,8*
1.5 m t			9.8	12.0*	6.7	10.4*		4.9	7.9	3.8	6.0	3.0	4.8	2.4	3.9	1.8*
5 ft lb			21,3	28,5*	14,5	22,5*	10,7	17,0	8,2	13,0	6,5	10,3	5,2	8,4	4,0*	4,0*
0 m t	4.0*	4.0*	9.2	9.4*	6.3	10.5		4.7	7.5	3.6	5.8	2.9	4.6	2.4	3.8	2.0*
0 ft lb	9,0*	9,0*	19,9	21,7*	13,5	22,5	10,0	16,2	7,8	12,5	6,2	10,0	5,1	8,2	4,3*	4,3*
-1.5 m t	5.7*	5.7*	9.0	10.0*	6.0	10.2		4.5	7.3	3.5	5.7	2.8	4.6	2.3	3.7*	2.2*
-5 ft lb	12,9*	12,9*	19,3	22,8*	13,0	21,9	9,6	15,8	7,5	12,2	6,1	9,8	5,0	6,5*	4,8*	4,8*
-3.0 m t	7.7*	7.7*	9.0	11.8*	5.9	10.1		4.4	7.2	3.4	5.6	2.8	4.5		2.4	2.4*
-10 ft lb	17,3*	17,3*	19,3	26,8*	12,8	21,6	9,4	15,6	7,4	12,0	6,0	9,7			5,2	5,4*
-4.5 m t	10.0*	10.0*	9.1	12.2*	6.0	9.7*		4.4	7.2	3.4	5.6	2.8	4.5		2.6	2.9*
-15 ft lb	22,5*	22,5*	19,5	26,5*	12,8	20,9*	9,4	15,6	7,4	12,1	6,1	9,8			5,8	6,4*
-6.0 m t	12.7*	12.7*	9.3	10.2*	6.1	8.2*		4.5	6.7*	3.5	5.3*				3.1	3.7*
-20 ft lb	27,3*	27,3*	20,1	21,8*	13,1	17,6*	9,7	14,2*	7,6	11,1*					6,9	8,2*
-7.5 m t			7.3*	7.3*	6.0*	6.0*		4.7	4.7*						3.5*	3.5*
-25 ft lb			15,3*	15,3*	12,6*	12,6*	9,7*	9,7*							7,6*	7,6*

↕ Height Can be slewed through 360° In longitudinal position of undercarriage Max. reach * Limited by hydr. capacity

The load values are quoted in tons (t) / lb x 1,000 at stick end (without bucket), and may be swung 360° on firm and even ground. Adjacent values are valid for the undercarriage when in the longitudinal position. Capacities are valid for 750 mm / 30" wide track pads. Indicated loads are based on ISO 10567 standard and do not exceed 75% of tipping or 87% of hydraulic capacity (indicated via *). Without bucket cylinder, link and lever the lift capacities will increase by 325 kg / 720 lb. Lifting capacity of the excavator is limited by machine stability and hydraulic capacity. Determine maximum load lift from load lift chart displayed in the operator's cab or from load lift chart detailed in the operator's manual supplied with the machine.

Multi-User equipment with mono boom 10.20 m/33'6"

R 926



Digging envelope

Stick length	m/ft in	7.90/25'11"
A Max. reach at ground level	m/ft in	18.11/59' 5"
B Max. digging depth	m/ft in	13.89/45' 7"
D Max. dumping height	m/ft in	13.78/45' 3"
E Max. cutting height	m/ft in	16.05/52' 8"

Forces

Stick digging force (ISO 6015)	kN/lbf	68/15,290
Bucket digging force (ISO 6015)	kN/lbf	137/30,800
Stick digging force (SAE J1179)	kN/lbf	67/15,060
Bucket digging force (SAE J1179)	kN/lbf	119/26,750

Operating weight and ground pressure

The operating weight includes the basic machine with counterweight 7.5 t/16,540 lb, mono boom 10.20 m/33'6", stick 7.90 m/25'11" and bucket 0.50 m³/0.65 yd³ (410 kg/900 lb).

Undercarriage		NLC		
Pad width	mm	600/24"	750/30"	900/35"
Weight	kg	30,900/68,120	31,300/69,010	31,750/67,000
Ground pressure	kg/cm²	0.63/9.0	0.51/7.3	0.43/6.1

Undercarriage		LC		
Pad width	mm	600/24"	750/30"	900/35"
Weight	kg	31,000/68,340	31,400/69,230	31,850/70,220
Ground pressure	kg/cm²	0.63/9.0	0.51/7.3	0.43/6.1

Stick 7.90 m / 25'11"

Under-carriage	3.0 m 10 ft		4.5 m 15 ft		6.0 m 20 ft		7.5 m 25 ft		9.0 m 30 ft		10.5 m 35 ft		12.0 m 40 ft		13.5 m 45 ft		15.0 m 50 ft		16.5 m 55 ft		m ft in			
	t	lb	t	lb	t	lb	t	lb	t	lb	t	lb	t	lb	t	lb	t	lb	t	lb	m	ft in		
13.5 m 45 ft													1.9*	1.9*							1.5*	1.5*	12.6	
12.0 m 40 ft													2.4*	2.4*	1.6*	1.6*					1.4*	1.4*	13.8	
10.5 m 35 ft													2.6*	2.6*	2.2*	2.2*					1.4*	1.4*	14.8	
9.0 m 30 ft													2.9*	2.9*	2.2	2.5*	1.7	1.8*			1.3*	1.3*	15.5	
7.5 m 25 ft													2.8	3.1*	2.1	2.8*	1.6	2.2*			1.3	1.3*	16.1	
6.0 m 20 ft												3.4	3.6*	2.6	3.4*	2.0	3.2*	1.6	2.6*	1.2	1.4*	1.1	1.4*	16.6
4.5 m 15 ft										4.2	4.5*	3.2	4.0*	2.4	3.6*	1.9	3.2	1.5	2.6	1.1	1.8*	1.0	1.4*	16.9
3.0 m 10 ft										3.7	4.9*	2.9	4.3*	2.2	3.7*	1.8	3.0	1.4	2.5	1.1	2.0	1.0	1.4*	17.0
1.5 m 5 ft										3.3	5.3*	2.6	4.4	2.0	3.5	1.6	2.9	1.3	2.4	1.0	2.0	0.9	1.5*	17.0
0 m 0 ft										3.8	6.7	3.0	5.2	2.3	4.1	1.9	3.3	1.5	2.7	1.2	2.3	0.9	1.6*	16.9
-1.5 m -5 ft	5.7*	5.7*	10.2*	10.2*	7.0	7.4*	5.0	5.9*	3.7	4.9*	2.9	4.3*	2.2	3.7*	1.8	3.0	1.4	2.5	1.1	2.0	0.9	1.5*	17.0	
-3.0 m -10 ft	2.3*	2.3*	7.6*	7.6*	5.9	8.4*	4.4	6.5*	3.3	5.3*	2.6	4.4	2.0	3.5	1.6	2.9	1.3	2.4	1.0	2.0	0.9	1.6*	16.9	
-4.5 m -15 ft	2.5*	2.5*	5.4*	5.4*	5.1	9.0*	3.8	6.7	3.0	5.2	2.3	4.1	1.9	3.3	1.5	2.7	1.2	2.3	0.9	1.9	0.9	1.6*	16.9	
-6.0 m -20 ft	5.6*	5.6*	12.3*	12.3*	11.1	19.6*	8.3	14.5	6.4	11.1	5.0	8.8	4.0	7.2	3.2	5.9	2.5	4.9	2.0	4.1	1.9	3.6*	55.6"	
-7.5 m -25 ft	3.2*	3.2*	5.3*	5.3*	4.6	8.7	3.5	6.3	2.7	4.8	2.1	3.9	1.7	3.2	1.4	2.6	1.1	2.2	0.9	1.9	0.9	1.8*	16.7	
-9.0 m -30 ft	7.1*	7.1*	11.9*	11.9*	10.0	18.6	7.4	13.5	5.8	10.4	4.6	8.3	3.7	6.8	2.9	5.6	2.4	4.7			1.9	3.9*	54.7"	
-10.5 m -35 ft	4.0*	4.0*	5.8*	5.8*	4.3	8.3	3.2	6.0	2.5	4.6	2.0	3.7	1.6	3.0	1.3	2.5	1.1	2.1			0.9	1.9	16.3	
-12.0 m -40 ft	9.0*	9.0*	13.1*	13.1*	9.4	18.0	6.9	12.9	5.3	10.0	4.2	8.0	3.4	6.5	2.8	5.4	2.2	4.6			2.0	4.1	53.4"	
-13.5 m -45 ft	5.0*	5.0*	6.5	6.7*	4.2	8.2	3.1	5.9	2.4	4.5	1.9	3.6	1.5	3.0	1.2	2.5	1.0	2.1			0.9	2.0	15.7	
-15.0 m -50 ft	11.2*	11.2*	14.1	15.1*	9.1	17.7	6.6	12.6	5.1	9.7	4.0	7.8	3.3	6.4	2.7	5.3	2.2	4.6			2.1	4.4	51.6"	
-16.5 m -55 ft	6.0*	6.0*	6.6	7.8*	4.2	8.2	3.0	5.8	2.3	4.5	1.8	3.6	1.5	2.9	1.2	2.5	1.0	2.1			1.0	2.1	15.0	
-18.0 m -60 ft	13.6*	13.6*	14.3	17.5*	9.1	17.7	6.6	12.5	5.0	9.6	4.0	7.7	3.2	6.3	2.6	5.3					2.3	4.7	49.1"	
-19.5 m -65 ft	7.2*	7.2*	6.9	9.1*	4.3	7.7*	3.1	5.9	2.3	4.5	1.9	3.6	1.5	3.0	1.3	2.5					1.2	2.4	14.1	
-21.0 m -70 ft	16.2*	16.2*	14.8	20.6*	9.4	16.7*	6.7	12.7	5.1	9.6	4.0	7.7	3.3	6.4	2.7	5.4					2.7	5.3	46'	
-22.5 m -75 ft	8.6*	8.6*	7.2	8.2*	4.5	6.7*	3.2	5.5*	2.4	4.6	1.9	3.7	1.6	3.0							1.4	2.7*	12.9	
-24.0 m -80 ft	19.3*	19.3*	15.5	17.6*	9.8	14.3*	6.9	11.8*	5.3	9.9*	4.2	7.9	3.5	6.6*							3.2	5.9*	42'	
-25.5 m -85 ft	7.8*	7.8*	6.3*	6.3*	4.8	5.3*	3.4	4.5*	2.6	3.7*	2.1	3.0*									1.9	2.5*	11.5	
-27.0 m -90 ft	16.2*	16.2*	13.3*	13.3*	10.4	11.2*	7.4	9.4*	5.6	7.7*	4.5	6.1*									2.0*	2.0*	9.6	
-28.5 m -95 ft			3.9*	3.9*	3.5*	3.5*	2.9*	2.9*	2.3*	2.3*											4.2*	4.2*	30.5"	
-30.0 m -100 ft					6.9*	6.9*	5.8*	5.8*	4.4*	4.4*														

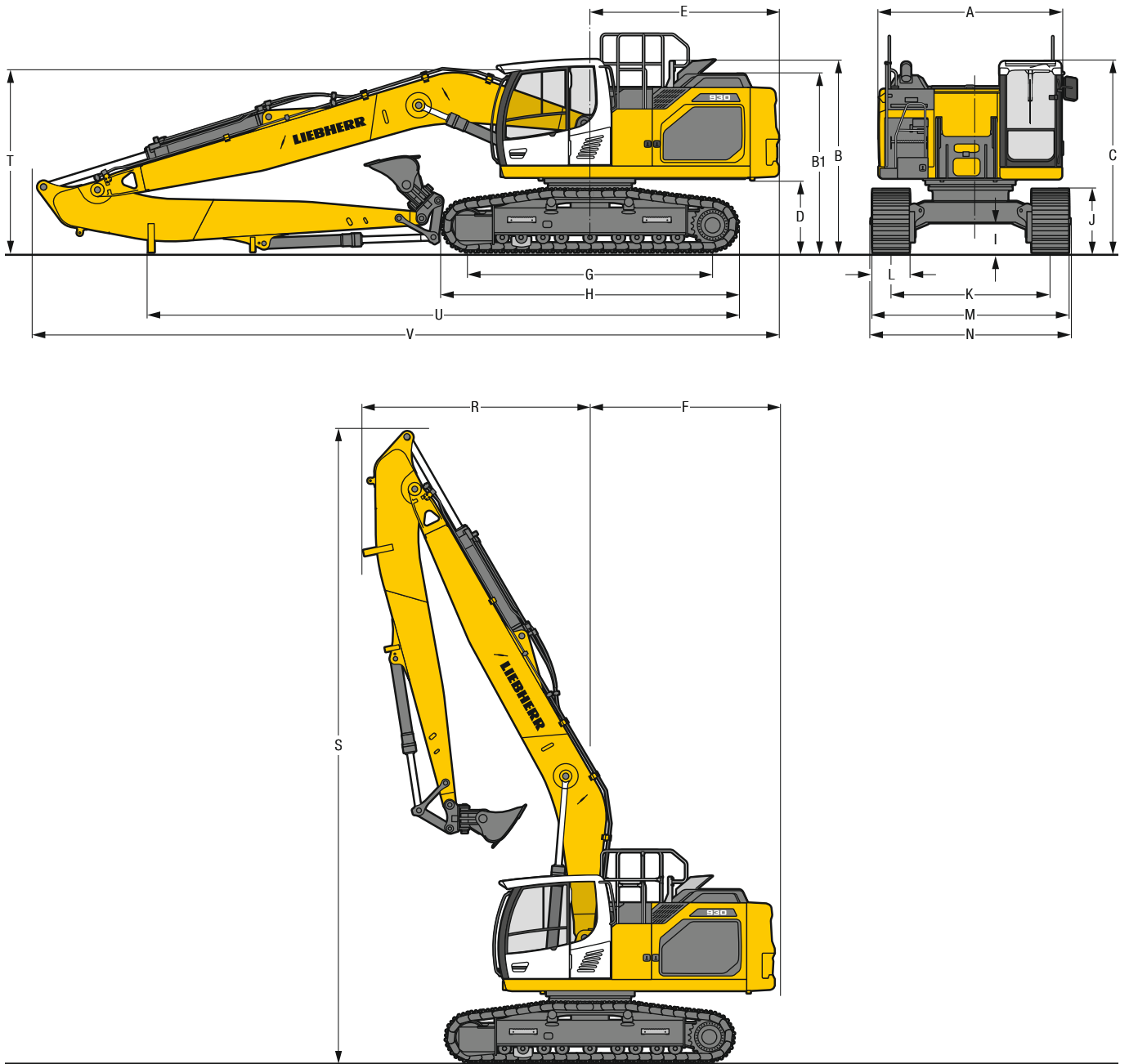
Height
 Can be slewed through 360°
 In longitudinal position of undercarriage
 Max. reach
 * Limited by hydr. capacity

The load values are quoted in tons (t) / lb x 1,000 at stick end (without bucket), and may be swung 360° on firm and even ground. Adjacent values are valid for the undercarriage when in the longitudinal position. Capacities are valid for 750 mm / 30" wide track pads. Indicated loads are based on ISO 10567 standard and do not exceed 75% of tipping or 87% of hydraulic capacity (indicated via *). Without bucket cylinder, link and lever the lift capacities will increase by 265 kg / 580 lb. Lifting capacity of the excavator is limited by machine stability and hydraulic capacity.

Determine maximum load lift from load lift chart displayed in the operator's cab or from load lift chart detailed in the operator's manual supplied with the machine.

Dimensions

R 930



		NLC						mm/ft in
A	Uppercarriage width							2,990 ²⁾ / 9'10" ²⁾
B	Uppercarriage height							3,570 / 11' 9"
B1	Uppercarriage height (handrails folded)							3,130 / 10' 3"
C	Cab height							3,150 / 10' 4"
D	Counterweight ground clearance							1,175 / 3'10"
E	Rear-end length							3,075 / 10' 1"
F	Tail swing radius							3,200 / 10' 6"
G	Wheelbase							3,990 / 13' 1"
H	Undercarriage length							4,840 / 15'11"
I	Undercarriage ground clearance							505 / 1' 8"
J	Track height							1,055 / 3' 6"
K	Track gauge							2,390 / 7'10"
L	Track pad width	500 / 20"	600 / 24"	700 / 28"	750 / 30"	800 / 31"	900 / 35"	
M	Width over tracks	2,890 / 9' 6"	2,990 / 9'10"	3,090 / 10' 2"	3,140 / 10' 4"	3,190 / 10' 6"	3,290 / 10'10"	
N	Width over steps	2,990 / 9'10"	2,990 / 9'10"	2,990 / 9'10"	3,190 ¹⁾ / 10' 6" ¹⁾	3,190 ¹⁾ / 10' 6" ¹⁾	3,190 ¹⁾ / 10' 6" ¹⁾	

		LC						mm/ft in
A	Uppercarriage width							2,990 ²⁾ / 9'10" ²⁾
B	Uppercarriage height							3,570 / 11' 9"
B1	Uppercarriage height (handrails folded)							3,130 / 10' 3"
C	Cab height							3,150 / 10' 4"
D	Counterweight ground clearance							1,115 / 3' 8"
E	Rear-end length							3,075 / 10' 1"
F	Tail swing radius							3,200 / 10' 6"
G	Wheelbase							3,990 / 13' 1"
H	Undercarriage length							4,840 / 15'11"
I	Undercarriage ground clearance							505 / 1' 8"
J	Track height							1,055 / 3' 6"
K	Track gauge							2,590 / 8' 6"
L	Track pad width	500 / 20"	600 / 24"	700 / 28"	750 / 30"	800 / 31"	900 / 35"	
M	Width over tracks	3,090 / 10' 2"	3,190 / 10' 6"	3,290 / 10'10"	3,340 / 10'11"	3,390 / 11' 1"	3,490 / 11' 5"	
N	Width over steps	3,190 / 10' 6"	3,190 / 10' 6"	3,190 / 10' 6"	3,390 ¹⁾ / 11' 1" ¹⁾	3,390 ¹⁾ / 11' 1" ¹⁾	3,390 ¹⁾ / 11' 1" ¹⁾	

		LC-V						mm/ft in
A	Uppercarriage width							2,990 ²⁾ / 9'10" ²⁾
B	Uppercarriage height							3,705 / 12' 2"
B1	Uppercarriage height (handrails folded)							3,265 / 10' 9"
C	Cab height							3,285 / 10' 9"
D	Counterweight ground clearance							1,310 / 4' 4"
E	Rear-end length							3,075 / 10' 1"
F	Tail swing radius							3,200 / 10' 6"
G	Wheelbase							4,170 / 13' 8"
H	Undercarriage length							5,030 / 16' 6"
I	Undercarriage ground clearance							680 / 2' 3"
J	Track height							1,100 / 3' 7"
K	Track gauge							2,390 / 2,890 ³⁾ / 7'10" / 9' 6" ³⁾
L	Track pad width	600 / 24"				750 / 30"	900 / 35"	
M	Width over tracks	2,990 / 3,490 ³⁾ / 9'10" / 11' 5" ³⁾				3,140 / 3,640 ³⁾ / 10'4" / 11'11" ³⁾	3,290 / 3,790 ³⁾ / 10'10" / 12' 5" ³⁾	
N	Width over steps	3,170 / 3,670 ¹⁾³⁾ / 10' 5" / 12' 11" ³⁾				3,170 / 3,670 ¹⁾³⁾ / 10'5" / 12'11" ³⁾	3,320 / 3,820 ¹⁾³⁾ / 10'11" / 12' 6" ¹⁾³⁾	

¹⁾ width with removable steps

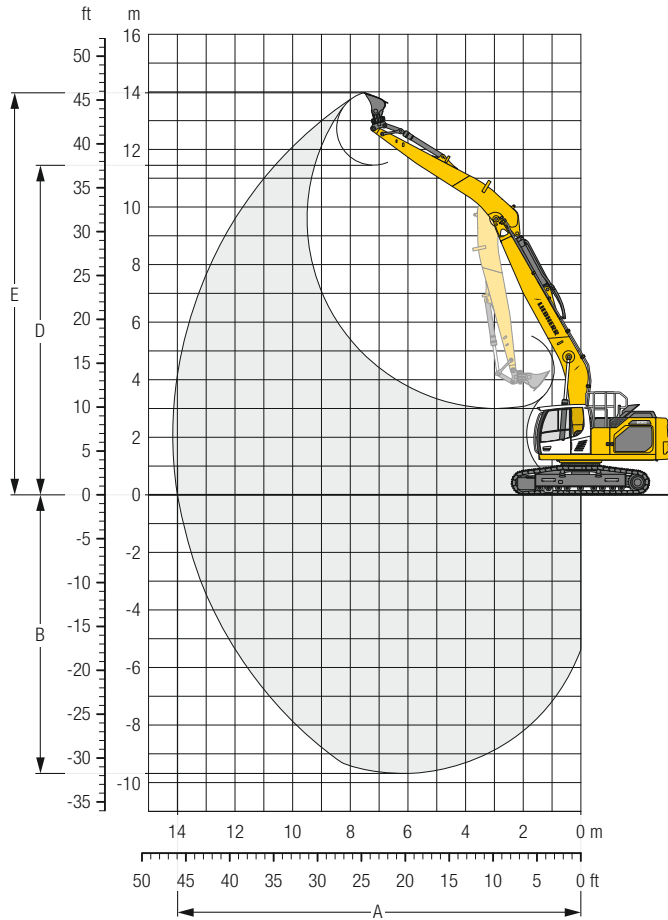
²⁾ without door stop device and spacer

³⁾ work position

		Stick length m/ft in	Mono boom 8.00 m / 26'3" Direct mounting mm/ft in	Mono boom 10.20 m / 33'6" Direct mounting mm/ft in
R	Front swing radius	5.30 / 17' 5" 7.90 / 25'11"	3,800 / 12' 6"	– 5,000 / 16' 5"
S	Height with boom up	5.30 / 17' 5" 7.90 / 25'11"	10,600 / 34' 9"	– 12,600 / 41' 4"
T	Boom height	5.30 / 17' 5" 7.90 / 25'11"	3,050 / 10'	– 3,100 / 10' 2"
U	Length on ground	5.30 / 17' 5" 7.90 / 25'11"	9,600 / 31' 6"	– 12,500 / 41'
V	Overall length	5.30 / 17' 5" 7.90 / 25'11"	12,150 / 39'10"	– 14,400 / 47' 3"
	Bucket		1.15 m ³ / 1.50 yd ³	0.60 m ³ / 0.00 yd ³

Multi-User equipment with mono boom 8.00 m/26'3"

R 930



Digging envelope

Stick length	m/ft in	5.30/17' 5"
A Max. reach at ground level	m/ft in	14.00/45'11"
B Max. digging depth	m/ft in	9.68/31' 9"
D Max. dumping height	m/ft in	11.46/37' 7"
E Max. cutting height	m/ft in	13.97/45'10"

Forces

Stick digging force (ISO 6015)	kN/lbf	92/20,680
Bucket digging force (ISO 6015)	kN/lbf	173/38,890
Stick digging force (SAE J1179)	kN/lbf	89/20,010
Bucket digging force (SAE J1179)	kN/lbf	151/33,950

Operating weight and ground pressure

The operating weight includes the basic machine with counterweight 7.5 t/16,540 lb, mono boom 8.00 m/26'3", stick 5.30 m/17'5" and bucket 1.15 m³/1.50 yd³ (810 kg/1,790 lb).

Undercarriage	NLC			
Pad width	mm/in	600/24"	750/30"	900/35"
Weight	kg/lb	32,800/72,310	33,350/73,520	33,850/74,630
Ground pressure	kg/cm ² /psi	0.64/9.1	0.52/7.4	0.44/6.3
Undercarriage	LC			
Pad width	mm/in	600/24"	750/30"	900/35"
Weight	kg/lb	32,900/75,530	33,450/73,750	33,950/74,850
Ground pressure	kg/cm ² /psi	0.64/9.1	0.52/7.4	0.44/6.3
Undercarriage	LC-V			
Pad width	mm/in	600/24"	750/30"	900/35"
Weight	kg/lb	36,900/81,350	37,550/82,780	38,150/84,110
Ground pressure	kg/cm ² /psi	0.69/9.8	0.56/8.0	0.47/6.7

Stick 5.30 m / 17'5"

Under-carriage	3.0 m 10 ft		4.5 m 15 ft		6.0 m 20 ft		7.5 m 25 ft		9.0 m 30 ft		10.5 m 35 ft		12.0 m 40 ft		m ft in		
	t	lb	t	lb	t	lb	t	lb	t	lb	t	lb	t	lb	t	lb	
12.0 m 40 ft							6,0*	6,0*							2,1*	2,1*	8,2
10.5 m 35 ft									3,1*	3,1*					4,7*	4,7*	26'
9.0 m 30 ft									4,1*	4,1*	2,6*	2,6*			1,9*	1,9*	9,7
7.5 m 25 ft									4,6*	4,6*	3,7*	3,7*			1,8*	1,8*	10,9
6.0 m 20 ft							5,5*	5,5*	4,8	5,3*	3,7	4,5*	2,4*	2,4*	1,7*	1,7*	12,3
4.5 m 15 ft			10,3*	10,3*	8,2*	8,2*	12,1*	12,1*	10,3	11,4*	7,9	9,4*	4,0*	4,0*	3,7*	3,7*	40'1"
3.0 m 10 ft	12,4*	12,4*	11,7	12,9*	7,8	9,4*	17,6*	17,6*	9,9	13,2*	7,7	11,1*	6,0	6,4*	3,7*	3,7*	41'6"
1.5 m 5 ft			10,6	11,8*	7,2	10,5*	13,1	15,0*	4,6	6,1*	3,6	5,2*	2,8	3,3*	1,7*	1,7*	12,6
0 m 0 ft			22,9	27,9*	15,6	22,6*	11,5	17,8*	8,9	14,6	7,1	11,6	5,7	8,6*	4,0*	4,0*	42'2"
-1.5 m -5 ft	4,1*	4,1*	9,4*	9,4*	6,8	11,0*	5,0	8,5	3,9	6,5	3,2	5,2	2,6	4,3	2,0*	2,0*	12,7
-3.0 m -10 ft	5,8*	5,8*	9,7	10,1*	6,5	11,0*	4,8	8,3	3,8	6,4	3,1	5,2	2,5	3,7*	2,2*	2,2*	12,4
-4.5 m -15 ft	13,0*	13,0*	21,0	22,9*	14,1	23,9*	10,5	17,9	8,2	13,8	6,6	11,1	5,5	6,4*	4,8*	4,8*	40'6"
-6.0 m -20 ft	7,8*	7,8*	9,7	11,9*	6,4	10,6*	4,8	8,2	3,7	6,3	3,0	5,1			2,5*	2,5*	11,8
-7.5 m -25 ft	17,5*	17,5*	21,0	26,9*	13,9	22,9*	10,3	17,7	8,0	13,6	6,6	11,0			5,4*	5,4*	38'8"
	10,1*	10,1*	9,9	12,2*	6,5	9,6*	4,8	7,8*	3,7	6,3*	3,1	5,0*			2,9	2,9*	11,0
	22,7*	22,7*	21,2	26,3*	14,0	20,8*	10,3	16,7*	8,1	13,6*	6,6	10,6*			6,4	6,5*	36'1"
	12,6*	12,6*	10,1*	10,1*	6,6	8,1*	4,9	6,6*	3,8	5,2*					3,4	3,7*	10,0
	27,0*	27,0*	21,6*	21,6*	14,3	17,5*	10,5	14,1*	8,3	10,9*					7,6	8,3*	32'6"
			7,1*	7,1*	5,9*	5,9*	4,6*	4,6*							3,5*	3,5*	8,5
			15,0*	15,0*	12,4*	12,4*	9,4*	9,4*							7,5*	7,5*	27'6"

Height
 Can be slewed through 360°
 In longitudinal position of undercarriage
 Max. reach
 * Limited by hydr. capacity

The load values are quoted in tons (t) / lb x 1,000 at stick end (without bucket), and may be swung 360° on firm and even ground. Adjacent values are valid for the undercarriage when in the longitudinal position. Capacities are valid for 750 mm / 30" wide track pads. Indicated loads are based on ISO 10567 standard and do not exceed 75% of tipping or 87% of hydraulic capacity (indicated via *). Without bucket cylinder, link and lever the lift capacities will increase by 320 kg / 710 lb. Lifting capacity of the excavator is limited by machine stability and hydraulic capacity. Determine maximum load lift from load lift chart displayed in the operator's cab or from load lift chart detailed in the operator's manual supplied with the machine.

Multi-User equipment

with mono boom 8.00 m/26'3"

R 930

Stick 5.30 m / 17'5"

Under-carriage	Height	3.0 m 10 ft		4.5 m 15 ft		6.0 m 20 ft		7.5 m 25 ft		9.0 m 30 ft		10.5 m 35 ft		12.0 m 40 ft		Max. reach		m ft in	
		Can be slewed through 360°	In longitudinal position of undercarriage	Can be slewed through 360°	In longitudinal position of undercarriage	Can be slewed through 360°	In longitudinal position of undercarriage	Can be slewed through 360°	In longitudinal position of undercarriage	Can be slewed through 360°	In longitudinal position of undercarriage	Can be slewed through 360°	In longitudinal position of undercarriage	Can be slewed through 360°	In longitudinal position of undercarriage	Can be slewed through 360°	In longitudinal position of undercarriage		
12.0 m t																	2.1*	2.1*	8.2
40 ft lb								6,6*	6,6*								4,7*	4,7*	26'
10.5 m t										3,3*	3,3*						1,9*	1,9*	9,7
35 ft lb										6,4*	6,4*						4,2*	4,2*	31'5"
9.0 m t										4,1*	4,1*	2,7*	2,7*				1,8*	1,8*	10,9
30 ft lb										8,8*	8,8*	4,9*	4,9*				3,9*	3,9*	35'4"
7.5 m t										4,7*	4,7*	3,8*	3,8*				1,7*	1,7*	11,7
25 ft lb										10,1*	10,1*	7,8*	7,8*				3,7*	3,7*	38'1"
6.0 m t								5,7*	5,7*	5,3*	5,3*	4,5*	4,5*	2,5*	2,5*		1,7*	1,7*	12,3
20 ft lb								12,3*	12,3*	11,5*	11,5*	9,6*	9,6*	4,3*	4,3*		3,7*	3,7*	40'1"
4.5 m t			10,7*	10,7*	8,3*	8,3*	7,0*	7,0*	6,1*	6,1*	4,8	5,3*	3,4*	3,4*			1,7*	1,7*	12,6
15 ft lb			22,9*	22,9*	18,0*	18,0*	15,2*	15,2*	13,2	13,3*	10,4	11,3*	6,6*	6,6*			3,7*	3,7*	41'6"
3.0 m t			13,1*	13,1*	9,6*	9,6*	7,7	7,7	5,9	6,5*	4,7	5,7*	3,8	4,0*			1,8*	1,8*	12,8
10 ft lb			28,1*	28,1*	20,6*	20,6*	16,5	16,7*	12,7	14,2*	10,1	12,5*	7,9*	7,9*			3,9*	3,9*	42'1"
1.5 m t			11,3*	11,3*	9,9	10,5*	7,3	8,3*	5,6	6,9*	4,5	5,9*	3,7	4,4*			1,8*	1,8*	12,9
5 ft lb			26,6*	26,6*	21,4	22,8*	15,7	17,9*	12,2	14,9*	9,8	12,9*	8,0	8,6*			4,1*	4,1*	42'2"
0 m t	4,2*	4,2*	9,4*	9,4*	9,5	11,0*	7,0	8,6*	5,5	7,1*	4,4	6,0*	3,6	4,4*			2,0*	2,0*	12,7
0 ft lb	9,5*	9,5*	21,6*	21,6*	20,4	23,9*	15,1	18,7*	11,8	15,4*	9,5	13,0*	7,9	8,3*			4,4*	4,4*	41'6"
-1.5 m t	6,0*	6,0*	10,2*	10,2*	9,2	11,0*	6,8	8,7*	5,3	7,1*	4,3	6,0*	3,6*	3,6*			2,2*	2,2*	12,4
-5 ft lb	13,4*	13,4*	23,2*	23,2*	19,9	23,8*	14,7	18,8*	11,5	15,4*	9,3	12,9*	6,0*	6,0*			4,8*	4,8*	40'6"
-3.0 m t	8,0*	8,0*	12,1*	12,1*	9,2	10,5*	6,7	8,4*	5,3	6,9*	4,3	5,6*					2,5*	2,5*	11,8
-10 ft lb	17,9*	17,9*	27,4*	27,4*	19,7	22,7*	14,5	18,1*	11,4	14,8*	9,3	12,1*					5,5*	5,5*	38'8"
-4.5 m t	10,3*	10,3*	12,0*	12,0*	9,2	9,5*	6,7	7,7*	5,3	6,2*	4,3	4,9*					3,0*	3,0*	11,0
-15 ft lb	23,2*	23,2*	26,0*	26,0*	19,8	20,6*	14,5	16,6*	11,4	13,4*	9,4	9,9*					6,6*	6,6*	36'1"
-6.0 m t	12,3*	12,3*	9,8*	9,8*	8,0*	8,0*	6,5*	6,5*	5,1*	5,1*							3,8*	3,8*	10,0
-20 ft lb	26,3*	26,3*	21,1*	21,1*	17,1*	17,1*	13,8*	13,8*	10,6*	10,6*							8,6*	8,6*	32'6"
-7.5 m t			6,8*	6,8*	5,7*	5,7*	4,4*	4,4*									3,4*	3,4*	8,5
-25 ft lb			14,3*	14,3*	11,8*	11,8*	8,9*	8,9*									7,3*	7,3*	27'6"

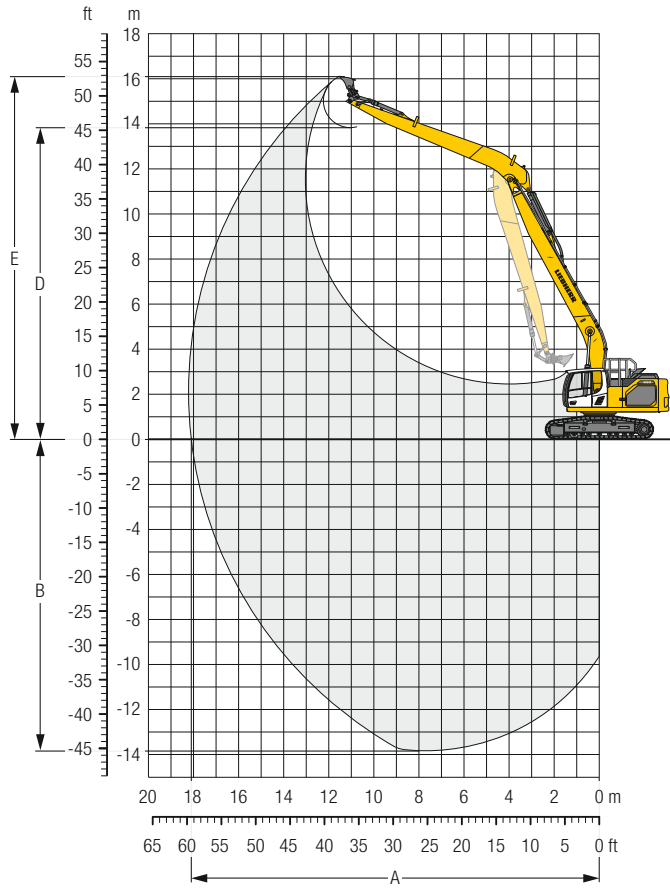
Height
 Can be slewed through 360°
 In longitudinal position of undercarriage
 Max. reach
 * Limited by hydr. capacity

The load values are quoted in tons (t) / lb x 1,000 at stick end (without bucket), and may be swung 360° on firm and even ground. Adjacent values are valid for the undercarriage when in the longitudinal position. Capacities are valid for 750 mm/30" wide track pads. Indicated loads are based on ISO 10567 standard and do not exceed 75% of tipping or 87% of hydraulic capacity (indicated via *). Without bucket cylinder, link and lever the lift capacities will increase by 320 kg / 710 lb. Lifting capacity of the excavator is limited by machine stability and hydraulic capacity.

Determine maximum load lift from load lift chart displayed in the operator's cab or from load lift chart detailed in the operator's manual supplied with the machine.

Multi-User equipment with mono boom 10.20 m/33'6"

R 930



Digging envelope

Stick length	m/ft in	7.90/25'11"
A Max. reach at ground level	m/ft in	18.10/59' 5"
B Max. digging depth	m/ft in	13.84/45' 5"
D Max. dumping height	m/ft in	13.83/45' 4"
E Max. cutting height	m/ft in	16.10/52'10"

Forces

Stick digging force (ISO 6015)	kN/lbf	68/15,290
Bucket digging force (ISO 6015)	kN/lbf	137/30,800
Stick digging force (SAE J1179)	kN/lbf	67/15,060
Bucket digging force (SAE J1179)	kN/lbf	119/26,750

Operating weight and ground pressure

The operating weight includes the basic machine with counterweight 7.5 t/16,540 lb, mono boom 10.20 m/33'6", stick 7.90 m/25'11" and bucket 0.60 m³/0.78 yd³ (520 kg/1,150 lb).


Undercarriage	NLC			
Pad width	mm/in	600/24"	750/30"	900/35"
Weight	kg/lb	33,500/73,860	34,050/75,070	34,550/76,170
Ground pressure	kg/cm ² /psi	0.65/9.2	0.53/7.5	0.45/6.4

Undercarriage	LC			
Pad width	mm/in	600/24"	750/30"	900/35"
Weight	kg/lb	33,600/74,080	34,150/75,290	34,650/76,390
Ground pressure	kg/cm ² /psi	0.65/9.2	0.53/7.5	0.45/6.4

Undercarriage	LC-V			
Pad width	mm/in	600/24"	750/30"	900/35"
Weight	kg/lb	37,600/82,890	38,250/84,330	38,850/85,650
Ground pressure	kg/cm ² /psi	0.7/10.0	0.57/8.1	0.48/6.8

Stick 7.90 m / 25'11"

Under-carriage	3.0 m 10 ft		4.5 m 15 ft		6.0 m 20 ft		7.5 m 25 ft		9.0 m 30 ft		10.5 m 35 ft		12.0 m 40 ft		13.5 m 45 ft		15.0 m 50 ft		16.5 m 55 ft		m ft in			
	t	lb	t	lb	t	lb	t	lb	t	lb	t	lb	t	lb	t	lb	t	lb	t	lb	t	lb	m	ft
15.0 m																					1.6*	1.6*	11.1	
50 ft																						1.5*	1.5*	12.6
13.5 m														1.9*	1.9*							3.3*	3.3*	40'10"
45 ft														2.4*	2.4*							1.4*	1.4*	13.8
12.0 m														5.0*	5.0*	1.7*	1.7*					3.1*	3.1*	44'11"
40 ft														2.6*	2.6*	2.2*	2.2*					1.4*	1.4*	14.8
10.5 m														5.7*	5.7*	4.6*	4.6*					3.0*	3.0*	48'2"
35 ft														2.9*	2.9*	2.4	2.6*	1.8*	1.8*			1.3*	1.3*	15.6
9.0 m														6.2*	6.2*	5.1	5.4*	3.5*	3.5*			2.9*	2.9*	50'11"
30 ft														3.0	3.1*	2.3	2.9*	1.8	2.3*			1.3*	1.3*	16.1
7.5 m														6.4	6.8*	5.0	6.1*	3.8	4.6*			2.9*	2.9*	52'10"
25 ft														3.7*	3.7*	2.8	3.4*	2.2	3.2*	1.3	1.4*	1.3	1.4*	16.6
6.0 m														7.9	8.0*	6.1	7.4*	4.7	6.8*	3.7	5.4*	2.9	3.0*	54'4"
20 ft														4.5	4.5*	3.4	4.0*	2.7	3.6*	1.3	1.8*	1.2	1.4*	16.9
4.5 m														9.6	9.8*	7.4	8.7*	5.7	7.8*	4.5	7.1*	2.6	3.1*	55'4"
15 ft														4.0	5.0*	3.1	4.3*	2.5	3.8*	1.9	3.4*	1.1	1.5*	17.0
3.0 m		5.3*	5.3*	10.3*	10.3*	7.4	7.5*	5.4	5.9*	4.0	5.0*	3.1	4.3*	5.7	5.7*	4.6*	4.6*	3.5	6.2*	2.7	3.3*	2.6	3.1*	55'10"
10 ft		13.2*	13.2*	22.1*	22.1*	16.1*	16.1*	11.6	12.8*	8.7	10.7*	6.7	9.3*	5.3	8.2*	4.2	7.4*	3.3	6.1	2.5	3.9*	2.4	3.2*	55'11"
1.5 m		2.2*	2.2*	7.4*	7.4*	6.4	8.4*	4.7	6.5*	3.6	5.3*	2.8	4.5*	2.3	4.0*	1.8	3.3	1.4	2.8	1.1	2.2*	1.1	1.5*	17.0
5 ft		5.2*	5.2*	17.4*	17.4*	13.8	18.2*	10.2	14.1*	7.8	11.6*	6.1	9.9*	4.9	8.6*	3.9	7.1	3.1	5.9	2.4	4.2*	2.3	3.4*	55'11"
0 m		2.5*	2.5*	5.3*	5.3*	5.6	9.1*	4.2	7.0*	3.3	5.7*	2.6	4.7	2.1	3.8	1.7	3.2	1.4	2.7	1.1	2.2*	1.0	1.6*	16.9
0 ft		5.6*	5.6*	12.2*	12.2*	12.1	19.6*	9.1	15.1*	7.1	12.3*	5.6	10.1	4.5	8.2	3.6	6.8	2.9	5.7	2.3	4.1*	2.3	3.6*	55'6"
-1.5 m		3.2*	3.2*	5.3*	5.3*	5.1	9.3*	3.8	7.2	3.0	5.6	2.4	4.5	1.9	3.7	1.6	3.1	1.3	2.6	1.0	2.0*	1.0	1.8*	16.6
-5 ft		7.2*	7.2*	12.0*	12.0*	11.0	20.2*	8.3	15.6	6.4	12.0	5.1	9.6	4.1	7.9	3.3	6.6	2.7	5.5			2.3	3.9*	54'7"
-3.0 m		4.1*	4.1*	5.8*	5.8*	4.9	9.3*	3.6	7.0	2.8	5.4	2.2	4.3	1.8	3.5	1.5	3.0	1.2	2.5			1.1	2.0*	16.2
-10 ft		9.1*	9.1*	13.2*	13.2*	10.5	20.1*	7.7	15.0	6.0	11.6	4.8	9.3	3.9	7.6	3.2	6.4	2.6	5.4			2.3	4.3*	53'4"
-4.5 m		5.0*	5.0*	6.7*	6.7*	4.7	9.0*	3.5	6.8	2.7	5.2	2.1	4.2	1.7	3.5	1.4	2.9	1.2	2.5			1.1	2.2*	15.7
-15 ft		11.3*	11.3*	15.2*	15.2*	10.2	19.5*	7.5	14.7	5.8	11.3	4.6	9.1	3.7	7.5	3.1	6.3	2.6	5.4			2.5	4.9*	51'5"
-6.0 m		6.1*	6.1*	7.4*	7.4*	4.8	8.5*	3.4	6.8	2.6	5.2	2.1	4.2	1.7	3.4	1.4	2.9					1.2	2.5	15.0
-20 ft		13.7*	13.7*	16.0	17.7*	10.3	18.3*	7.4	14.6	5.7	11.2	4.5	9.0	3.7	7.4	3.1	6.3					2.7	5.6	48'11"
-7.5 m		7.3*	7.3*	7.6	9.2*	4.9	7.7*	3.5	6.3*	2.7	5.2	2.1	4.2	1.7	3.5	1.5	2.9					1.4	2.8*	14.1
-25 ft		16.3*	16.3*	16.5	20.7*	10.5	16.6*	7.5	13.5*	5.7	11.2*	4.6	9.0	3.7	7.5	3.2	6.4*					3.1	6.1*	45'10"
-9.0 m		8.6*	8.6*	8.0	8.2*	5.1	6.6*	3.6	5.5*	2.7	4.6*	2.2	3.8*	1.8	3.1*							1.7	2.7*	12.9
-30 ft		19.4*	19.4*	17.2	17.5*	10.9	14.2*	7.8	11.8*	5.9	9.8*	4.7	8.1*	3.9	6.5*							3.7	5.9*	41'11"
-10.5 m		7.6*	7.6*	6.3*	6.3*	5.3*	5.3*	3.8	4.4*	2.9	3.7*	2.3	2.9*									2.1	2.5*	11.4
-35 ft		15.9*	15.9*	13.2*	13.2*	11.1*	11.1*	8.3	9.3*	6.3	7.6*	5.1	6.0*									4.8	5.3*	36'10"
-12.0 m						3.4*	3.4*	2.8*	2.8*	2.2*	2.2*											2.0*	2.0*	9.5
-40 ft						6.7*	6.7*	5.6*	5.6*	4.2*	4.2*											4.2*	4.2*	30'1"

 Height
  Can be stowed through 360°
  In longitudinal position of undercarriage
  Max. reach
 * Limited by hydr. capacity

The load values are quoted in tons (t) / lb x 1,000 at stick end (without bucket), and may be swung 360° on firm and even ground. Adjacent values are valid for the undercarriage when in the longitudinal position. Capacities are valid for 750 mm/30" wide track pads. Indicated loads are based on ISO 10567 standard and do not exceed 75% of tipping or 87% of hydraulic capacity (indicated via *). Without bucket cylinder, link and lever the lift capacities will increase by 265 kg/580 lb. Lifting capacity of the excavator is limited by machine stability and hydraulic capacity.

Determine maximum load lift from load lift chart displayed in the operator's cab or from load lift chart detailed in the operator's manual supplied with the machine.

Multi-User equipment

with mono boom 10.20 m/33'6"

R 930

Stick 7.90 m/25'11"

Under-carriage	Height	3.0 m 10 ft		4.5 m 15 ft		6.0 m 20 ft		7.5 m 25 ft		9.0 m 30 ft		10.5 m 35 ft		12.0 m 40 ft		13.5 m 45 ft		15.0 m 50 ft		16.5 m 55 ft		m ft in					
		t	lb	t	lb	t	lb	t	lb	t	lb	t	lb	t	lb	t	lb	t	lb	t	lb	t	lb	m	ft	in	
15.0 m	t																						1.6*	1.6*	11.1		
50 ft	lb																						3.3*	3.3*	40'10"		
13.5 m	t													2.0*	2.0*								1.5*	1.5*	12.6		
45 ft	lb													3.3*	3.3*								3.3*	3.3*	40'10"		
12.0 m	t													2.4*	2.4*			1.7*	1.7*					1.4*	1.4*	13.8	
40 ft	lb													5.1*	5.1*			3.2*	3.2*					3.1*	3.1*	44'11"	
10.5 m	t													2.7*	2.7*			2.2*	2.2*					1.3*	1.3*	14.8	
35 ft	lb													5.7*	5.7*			4.6*	4.6*					3.0*	3.0*	48'2"	
9.0 m	t													2.9*	2.9*			2.6*	2.6*			1.9*	1.9*		1.3*	1.3*	15.6
30 ft	lb													6.2*	6.2*			5.5*	5.5*			3.6*	3.6*		2.9*	2.9*	50'11"
7.5 m	t													3.2*	3.2*			2.9*	2.9*			2.3*	2.3*		1.3*	1.3*	16.1
25 ft	lb													6.9*	6.9*			6.2*	6.2*			4.7*	4.7*		2.9*	2.9*	52'10"
6.0 m	t													3.7*	3.7*			3.4*	3.4*			2.5*	2.6*		1.5*	1.5*	16.6
20 ft	lb													8.1*	8.1*			7.5*	7.5*			6.7*	6.9*		3.0*	3.0*	54'4"
4.5 m	t							5.3*	5.3*					4.0*	4.0*			3.6*	3.6*			3.0*	3.0*		1.8*	1.8*	16.9
15 ft	lb							11.4*	11.4*					8.7*	8.7*			7.9*	7.9*			6.5*	6.5*		3.1*	3.1*	55'4"
3.0 m	t		4.6*	4.6*	10.5*	10.5*	7.6*	7.6*						4.1*	4.1*			3.5*	3.5*			2.9*	2.9*		1.5*	1.5*	17.0
10 ft	lb		11.3*	11.3*	22.5*	22.5*	16.3*	16.3*						9.3*	9.3*			7.6*	7.6*			5.4*	5.4*		3.2*	3.2*	55'10"
1.5 m	t		2.2*	2.2*	7.0*	7.0*	8.5*	8.5*						4.1*	4.1*			3.5*	3.5*			2.7*	2.7*		1.5*	1.5*	17.0
5 ft	lb		5.1*	5.1*	16.5*	16.5*	18.4*	18.4*						9.9*	9.9*			8.8*	8.8*			7.1*	7.1*		3.4*	3.4*	55'11"
0 m	t		2.5*	2.5*	5.3*	5.3*	8.3*	9.1*						3.1*	3.1*			2.6*	2.6*			2.2*	2.2*		1.6*	1.6*	16.9
0 ft	lb		5.7*	5.7*	12.1*	12.1*	17.8*	19.7*						10.3*	10.3*			8.3*	8.3*			6.7*	6.7*		3.6*	3.6*	55'6"
-1.5 m	t		3.3*	3.3*	5.3*	5.3*	7.8*	9.3*						3.6*	3.6*			3.0*	3.0*			2.5*	2.5*		1.7*	1.7*	16.6
-5 ft	lb		7.3*	7.3*	12.0*	12.0*	16.7*	20.2*						9.7*	9.7*			8.8*	8.8*			7.1*	7.1*		3.9*	3.9*	54'7"
-3.0 m	t		4.1*	4.1*	5.9*	5.9*	7.5*	9.3*						3.5*	3.5*			2.9*	2.9*			2.4*	2.4*		1.8*	1.8*	16.2
-10 ft	lb		9.3*	9.3*	13.3*	13.3*	16.2*	20.1*						11.9*	11.9*			10.3*	10.3*			8.3*	8.3*		4.0*	4.0*	53'4"
-4.5 m	t		5.1*	5.1*	6.8*	6.8*	7.4*	9.0*						4.2*	4.2*			3.4*	3.4*			2.8*	2.8*		1.9*	1.9*	15.7
-15 ft	lb		11.5*	11.5*	15.3*	15.3*	15.9*	19.4*						11.6*	11.6*			10.3*	10.3*			8.3*	8.3*		4.2*	4.2*	51'5"
-6.0 m	t		6.2*	6.2*	7.9*	7.9*	7.4*	8.4*						4.7*	4.7*			3.3*	3.3*			2.8*	2.8*		2.0*	2.0*	15.0
-20 ft	lb		13.9*	13.9*	17.9*	17.9*	16.0*	18.2*						11.6*	11.6*			10.3*	10.3*			8.3*	8.3*		4.5*	4.5*	48'11"
-7.5 m	t		7.4*	7.4*	9.3*	9.3*	7.5*	7.6*						5.4*	5.4*			4.2*	4.2*			3.4*	3.4*		2.3*	2.3*	14.1
-25 ft	lb		16.6*	16.6*	20.6*	20.6*	16.3*	16.4*						11.7*	11.7*			10.3*	10.3*			8.3*	8.3*		5.1*	5.1*	45'10"
-9.0 m	t		8.7*	8.7*	8.0*	8.0*	6.5*	6.5*						5.4*	5.4*			4.3*	4.3*			3.5*	3.5*		2.7*	2.7*	12.9
-30 ft	lb		19.7*	19.7*	17.1*	17.1*	14.0*	14.0*						11.6*	11.6*			9.3*	9.3*			7.5*	7.5*		5.8*	5.8*	41'11"
-10.5 m	t		7.3*	7.3*	6.1*	6.1*	5.1*	5.1*						4.3*	4.3*			3.6*	3.6*			2.8*	2.8*		2.4*	2.4*	11.4
-35 ft	lb		15.2*	15.2*	12.7*	12.7*	10.7*	10.7*						9.0*	9.0*			7.4*	7.4*			5.8*	5.8*		5.3*	5.3*	36'10"
-12.0 m	t						3.2*	3.2*						2.7*	2.7*			2.1*	2.1*			1.9*	1.9*	9.5			
-40 ft	lb						6.3*	6.3*						5.2*	5.2*			4.0*	4.0*			3.0*	3.0*		4.0*	4.0*	30'1"

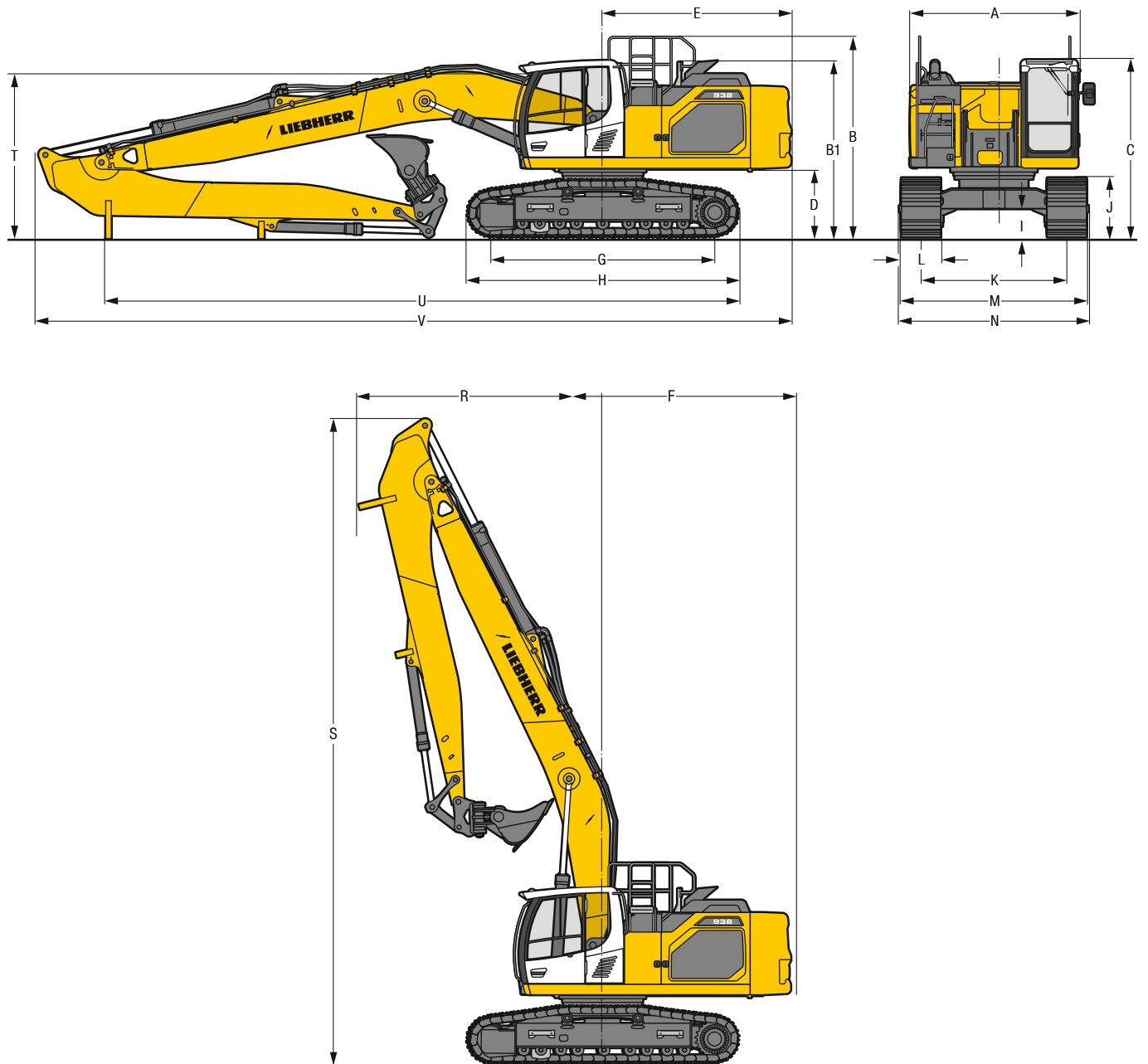
Height
 Can be slewed through 360°
 In longitudinal position of undercarriage
 Max. reach
 * Limited by hydr. capacity

The load values are quoted in tons (t) / lb x 1,000 at stick end (without bucket), and may be swung 360° on firm and even ground. Adjacent values are valid for the undercarriage when in the longitudinal position. Capacities are valid for 750 mm/30" wide track pads. Indicated loads are based on ISO 10567 standard and do not exceed 75% of tipping or 87% of hydraulic capacity (indicated via *). Without bucket cylinder, link and lever the lift capacities will increase by 265 kg/580 lb. Lifting capacity of the excavator is limited by machine stability and hydraulic capacity. Determine maximum load lift from load lift chart displayed in the operator's cab or from load lift chart detailed in the operator's manual supplied with the machine.

Notes

Dimensions

R 938



	LC	mm/ft in				WLC	mm/ft in			
A	Upper-carriage width	2,990** / 9'10"***					2,990** / 9'10"***			
B	Upper-carriage height	3,570 / 11' 9"					3,570 / 11' 9"			
B1	Upper-carriage height (handrails folded)	3,130 / 10' 3"					3,130 / 10' 3"			
C	Cab height	3,150 / 10' 4"					3,150 / 10' 4"			
D	Counterweight ground clearance	1,175 / 3'10"					1,175 / 3'10"			
E	Rear-end length	3,350 / 11'					3,350 / 11'			
F	Tail swing radius	3,450 / 11' 4"					3,450 / 11' 4"			
G	Wheelbase	3,990 / 13' 1"					4,300 / 14' 1"			
H	Undercarriage length	4,840 / 15'11"					5,150 / 16'11"			
I	Undercarriage ground clearance	495 / 1' 7"					495 / 1' 7"			
J	Track height	1,055 / 3' 6"					1,055 / 3' 6"			
K	Track gauge	2,590 / 8' 6"					2,740 / 9'			
L	Track pad width	600 / 24"	700 / 28"	800 / 31"	900 / 35"		600 / 24"	700 / 28"	800 / 31"	900 / 35"
M	Width over tracks	3,190 / 10' 6"	3,290 / 10'10"	3,390 / 11' 1"	3,490 / 11' 5"		3,340 / 10'11"	3,440 / 11' 3"	3,540 / 11' 7"	3,640 / 11'11"
N	Width over steps	3,190 / 10' 6"	3,190 / 10' 6"	3,390* / 11' 1"*	3,390* / 11' 1"*		3,340 / 10'11"	3,340 / 10'11"	3,540* / 11' 7"*	3,540* / 11' 7"*

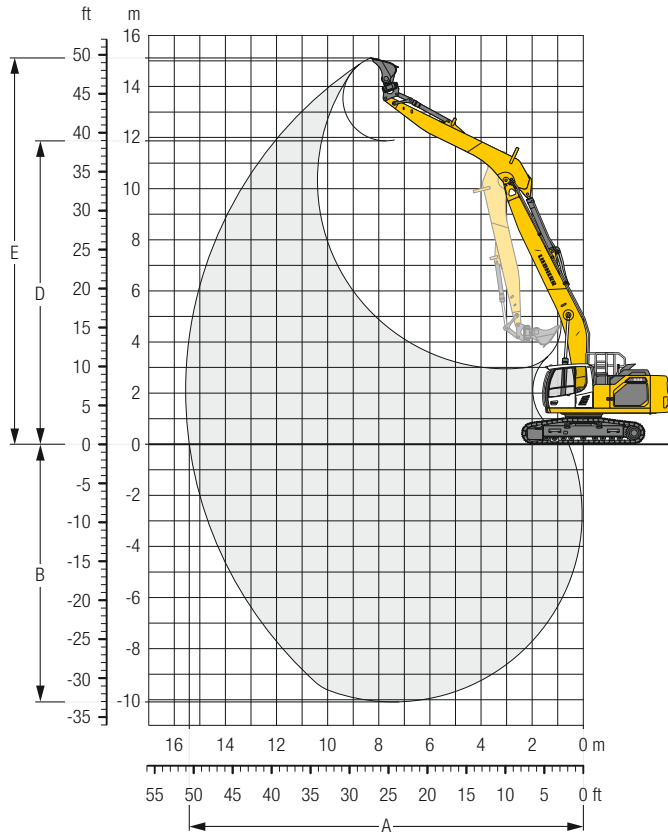
* width with removable steps

** without door stop device and spacer

	Stick length	Mono boom 8.70 m / 28'7"	Mono boom 10.70 m / 35'1" / Stick 7.70 m / 25'3"	Mono boom 10.70 m / 35'1" / Stick 8.90 m / 29'2"
	m / ft in	mm / ft in	mm / ft in	mm / ft in
R	Front swing radius	5,70 / 18'8"	4,350 / 14'3"	—
		7,70 / 25'3"	—	4,900 / 16' 1"
		8,90 / 29'2"	—	—
S	Height with boom up	5,70 / 18'8"	11,500 / 37'9"	—
		7,70 / 25'3"	—	13,350 / 43'10"
		8,90 / 29'2"	—	13,350 / 43'10"
T	Boom height	5,70 / 18'8"	3,100 / 10'2"	—
		7,70 / 25'3"	—	3,200 / 10' 6"
		8,90 / 29'2"	—	—
U	Length on ground	5,70 / 18'8"	11,150 / 36'7"	—
		7,70 / 25'3"	—	11,400 / 37' 5"
		8,90 / 29'2"	—	7,250 / 23' 9"
V	Overall length	5,70 / 18'8"	13,400 / 44'	—
		7,70 / 25'3"	—	15,350 / 50' 4"
		8,90 / 29'2"	—	—
	Bucket	1.25 m ³ / 1.63 yd ³	0.75 m ³ / 0.98 yd ³	0.55 m ³ / 0.72 yd ³

Multi-User equipment with mono boom 8.70 m/28'7"

R 938



Digging envelope

Stick length	m/ft in	5.70/18' 8"
A Max. reach at ground level	m/ft in	15.41/50' 7"
B Max. digging depth	m/ft in	10.08/33' 1"
D Max. dumping height	m/ft in	11.87/38'11"
E Max. cutting height	m/ft in	15.11/49' 7"

Forces

Stick digging force (ISO 6015)	kN/lbf	117/26,300
Bucket digging force (ISO 6015)	kN/lbf	190/42,710
Stick digging force (SAE J1179)	kN/lbf	114/25,630
Bucket digging force (SAE J1179)	kN/lbf	166/37,320

Operating weight and ground pressure

The operating weight includes the basic machine with counterweight 11.8 t/26,020 lb, mono boom 8.70 m/28'7", stick 5.70 m/18'8" and bucket 1.25 m³/1.63 yd³ (1,000 kg/2,210 lb).

Undercarriage		LC			
Pad width	mm/in	600/24"	700/28"	800/31"	900/35"
Weight	kg/lb	40,500/89,290	40,800/89,950	41,200/90,830	41,600/91,710
Ground pressure	kg/cm ² /psi	0.79/11.2	0.68/9.7	0.6/8.5	0.54/7.7

Undercarriage		WLC			
Pad width	mm/in	600/24"	700/28"	800/31"	900/35"
Weight	kg/lb	41,050/90,500	41,350/91,160	41,750/92,040	42,200/93,040
Ground pressure	kg/cm ² /psi	0.75/10.7	0.64/9.1	0.57/8.1	0.51/7.3

Stick 5.70 m / 18'8"

Under-carriage	3.0 m 10 ft		4.5 m 15 ft		6.0 m 20 ft		7.5 m 25 ft		9.0 m 30 ft		10.5 m 35 ft		12.0 m 40 ft		13.5 m 45 ft		m ft in		
	t	lb	t	lb	t	lb	t	lb	t	lb	t	lb	t	lb	t	lb	m	ft	in
13.5 m 45 ft																	3.7*	3.7*	7.8
12.0 m 40 ft									4.4*	4.4*							3.3*	3.3*	9.7
10.5 m 35 ft									8.6*	8.6*							7.3*	7.3*	31'
9.0 m 30 ft									5.4*	5.4*	4.1*	4.1*					3.0*	3.0*	11.0
7.5 m 25 ft									11.5*	11.5*	7.8*	7.8*					6.8*	6.8*	35'8"
6.0 m 20 ft									5.8*	5.8*	5.2*	5.2*	3.0*	3.0*			2.9*	2.9*	12.0
4.5 m 15 ft									12.7*	12.7*	11.0*	11.0*					6.5*	6.5*	39'2"
3.0 m 10 ft									6.4*	6.4*	5.7*	5.9*	4.5*	4.5*			2.9*	2.9*	12.8
1.5 m 5 ft									13.9*	13.9*	12.3*	12.7*	9.1*	9.1*			6.4*	6.4*	41'10"
0 m 0 ft									7.5*	7.5*	14.8*	14.8*	12.0*	13.4*	9.5*	11.4*	6.4*	6.4*	43'7"
-1.5 m -5 ft	20.9*	20.9*	13.5*	13.5*	10.3*	10.3*	8.5*	8.5*	16.4*	16.4*	14.7*	15.8*	11.5*	14.0*	9.2*	12.7*	6.5*	6.5*	44'10"
-3.0 m -10 ft	44.3*	44.3*	29.1*	29.1*	22.2*	22.2*	18.3*	18.3*	18.3*	18.3*	14.7*	15.8*	11.5*	14.0*	9.2*	12.7*	6.5*	6.5*	44'10"
-4.5 m -15 ft			16.2*	16.2*	11.4*	11.7*	8.4*	9.2*	8.4*	9.2*	6.5*	7.7*	5.1*	6.7*	4.2*	6.0*	3.4*	4.2*	13.9
-6.0 m -20 ft			9.8*	9.8*	24.7*	25.2*	18.1*	20.0*	13.9*	16.8*	11.0*	14.6*	8.9*	12.9*	7.3*	7.8*	6.7*	6.7*	45'5"
-7.5 m -25 ft			23.0*	23.0*	20.6*	20.6*	16.9*	19.9*	13.2*	17.6*	10.6*	15.1*	8.7*	12.8*	7.2*	8.4*	7.0*	7.0*	45'6"
-9.0 m -30 ft	3.8*	3.8*	8.8*	8.8*	10.0*	13.1*	7.4*	10.2*	5.8*	8.4*	4.7*	7.0*	3.9*	5.8*	3.3*	4.4*	3.2*	3.4*	13.7
-10.5 m -35 ft	8.6*	8.6*	20.3*	20.3*	21.5*	28.4*	16.1*	22.2*	12.6*	18.1*	10.2*	15.1*	8.4*	12.5*	7.0*	7.6*	7.0*	7.5*	45'
-12.0 m -40 ft	6.1*	6.1*	10.0*	10.0*	9.7*	13.0*	7.2*	10.3*	5.6*	8.4*	4.6*	6.9*	3.8*	5.7*	3.3*	3.7*	3.3*	3.7*	13.4
-13.5 m -45 ft	13.6*	13.6*	22.8*	22.8*	20.8*	28.1*	15.5*	22.2*	12.2*	18.2*	9.9*	14.8*	8.2*	12.3*	7.2*	8.3*	7.2*	8.3*	43'11"
-15.0 m -50 ft	8.4*	8.4*	12.1*	12.1*	9.6*	12.3*	7.1*	9.9*	5.5*	8.1*	4.5*	6.8*	3.8*	5.6*	3.4*	4.2*	3.4*	4.2*	12.9
-16.5 m -55 ft	18.8*	18.8*	27.5*	27.5*	20.6*	26.7*	15.2*	21.4*	12.0*	17.6*	9.7*	14.6*	8.2*	12.1*	7.6*	9.3*	7.6*	9.3*	42'2"
-18.0 m -60 ft	10.9*	10.9*	13.9*	13.9*	9.6*	11.2*	7.0*	9.1*	5.5*	7.5*	4.5*	6.2*	3.8*	4.9*	3.7*	4.7*	3.7*	4.7*	12.2
-19.5 m -65 ft	24.6*	24.6*	30.1*	30.1*	20.7*	24.2*	15.2*	19.7*	11.9*	16.2*	9.8*	13.3*	8.2*	12.1*	8.3*	10.4*	8.3*	10.4*	39'10"
-21.0 m -70 ft	13.8*	13.8*	11.5*	11.5*	9.6*	9.6*	7.1*	7.9*	5.6*	6.5*	4.6*	5.2*			4.3*	4.4*	4.3*	4.4*	11.2
-22.5 m -75 ft	29.8*	29.8*	24.8*	24.8*	20.6*	20.6*	15.4*	17.0*	12.1*	13.9*	10.0*	10.8*			9.5*	9.7*	9.5*	9.7*	36'7"
-24.0 m -80 ft			8.4*	8.4*	7.3*	7.3*	6.1*	6.1*	4.8*	4.8*					3.8*	3.8*	3.8*	3.8*	10.0
-25.5 m -85 ft			17.9*	17.9*	15.4*	15.4*	12.8*	12.8*	9.9*	9.9*					8.3*	8.3*	8.3*	8.3*	32'4"

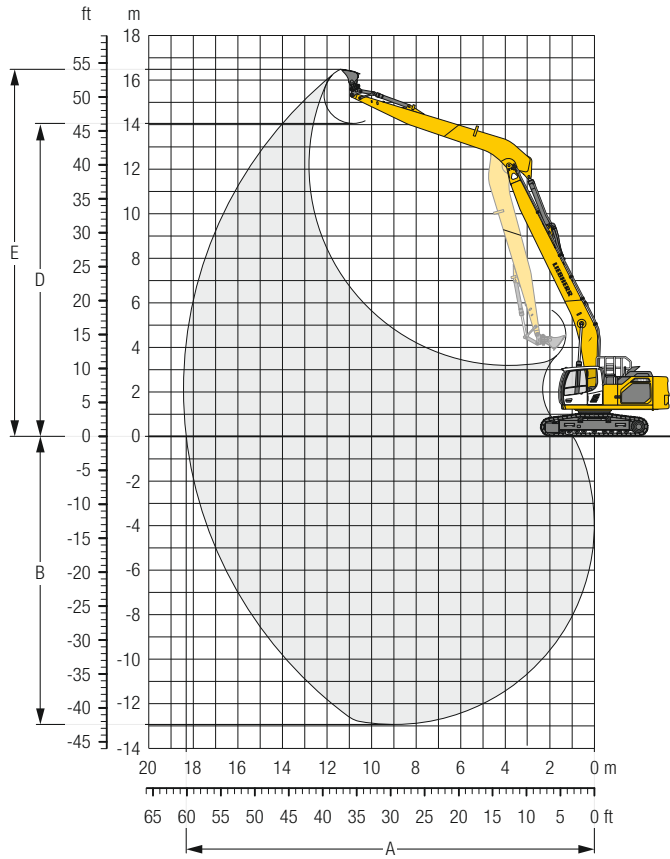
Height
 Can be swayed through 360°
 In longitudinal position of undercarriage
 Max. reach
 * Limited by hydr. capacity

The load values are quoted in tons (t) / lb x 1,000 at stick end (without bucket), and may be swung 360° on firm and even ground. Adjacent values are valid for the undercarriage when in the longitudinal position. Capacities are valid for 800 mm / 31" wide track pads. Indicated loads are based on ISO 10567 standard and do not exceed 75% of tipping or 87% of hydraulic capacity (indicated via *). Without bucket cylinder, link and lever the lift capacities will increase by 400 kg / 880 lb. Lifting capacity of the excavator is limited by machine stability and hydraulic capacity.

Determine maximum load lift from load lift chart displayed in the operator's cab or from load lift chart detailed in the operator's manual supplied with the machine.

Multi-User equipment with mono boom 10.70 m/35'1"

R 938



Digging envelope

Stick length	m/ft in	7.70/25'3"
A Max. reach at ground level	m/ft in	18.32/60'1"
B Max. digging depth	m/ft in	12.93/42'5"
D Max. dumping height	m/ft in	14.05/46'1"
E Max. cutting height	m/ft in	16.48/54'1"

Forces

Stick digging force (ISO 6015)	kN/lbf	95/21,360
Bucket digging force (ISO 6015)	kN/lbf	173/38,890
Stick digging force (SAE J1179)	kN/lbf	93/20,910
Bucket digging force (SAE J1179)	kN/lbf	151/33,950

Operating weight and ground pressure

The operating weight includes the basic machine with counterweight 11.8t/26,020 lb, mono boom 10.70 m/35'1", stick 7.70 m/25'3" and bucket 0.75 m³/0.98 yd³ (620 kg/1,370 lb).

Undercarriage		LC			
Pad width	mm/in	600/24"	700/28"	800/31"	900/35"
Weight	kg/lb	41,200/90,830	41,500/91,490	41,900/92,370	42,300/93,260
Ground pressure	kg/cm²/psi	0.8/11.4	0.69/9.8	0.61/8.7	0.55/7.8

Undercarriage		WLC			
Pad width	mm/in	600/24"	700/28"	800/31"	900/35"
Weight	kg/lb	41,750/92,040	42,050/92,700	42,450/93,590	42,900/94,580
Ground pressure	kg/cm²/psi	0.76/10.8	0.65/9.2	0.58/8.2	0.52/7.4

Stick 7.70 m / 25'3"

Under-carriage	3.0 m 10 ft		4.5 m 15 ft		6.0 m 20 ft		7.5 m 25 ft		9.0 m 30 ft		10.5 m 35 ft		12.0 m 40 ft		13.5 m 45 ft		15.0 m 50 ft		16.5 m 55 ft		m ft in					
	↕	↕	↕	↕	↕	↕	↕	↕	↕	↕	↕	↕	↕	↕	↕	↕	↕	↕	↕	↕	↕	↕				
15.0 m t																						2.6*	2.6*	11.3		
50 ft lb																							5.8*	5.8*	36'	
13.5 m t														3.1*	3.1*							2.4*	2.4*	12.8		
45 ft lb														6.2*	6.2*							5.4*	5.4*	41'4"		
12.0 m t														3.7*	3.7*	2.8*	2.8*					2.3*	2.3*	14.0		
40 ft lb														7.8*	7.8*	5.5*	5.5*					5.2*	5.2*	45'6"		
10.5 m t														3.9*	3.9*	3.5*	3.5*					2.3*	2.3*	15.0		
35 ft lb														8.6*	8.6*	7.3*	7.3*					5.1*	5.1*	48'10"		
9.0 m t														4.0*	4.0*	3.7*	3.7*	2.9	3.1*			2.3*	2.3*	15.7		
30 ft lb														8.8*	8.8*	7.9	8.2*	6.1*	6.1*			5.0*	5.0*	51'4"		
7.5 m t														4.6*	4.6*	4.2*	4.2*	3.6	3.8*	2.8	3.5*	2.3	2.3*	16.3		
25 ft lb														9.9*	9.9*	9.0*	9.0*	7.6	8.3*	6.0	7.5*	5.1*	5.1*	53'4"		
6.0 m t														5.5*	5.5*	4.8*	4.8*	4.3	4.3*	3.4	3.9*	2.7	3.6*	16.7		
20 ft lb														11.8*	11.8*	10.4*	10.4*	9.2	9.4*	7.3	8.5*	4.6	5.2*	54'10"		
4.5 m t		18.5*	18.5*											5.9*	5.9*	5.0	5.1*	4.0	4.5*	3.2	4.0*	2.6	3.7*	17.0		
15 ft lb														12.7*	12.7*	10.9	11.0*	8.6	9.8*	6.9	8.8*	4.4	6.1*	4.3	5.4*	55'8"
3.0 m t														7.7*	7.7*	6.3*	6.3*	4.7	5.4*	3.0	4.2*	2.5	3.7*	17.1		
10 ft lb														16.5*	16.5*	12.7	13.6*	10.0	11.6*	8.0	10.1*	6.5	8.1*	4.3	7.0*	56'4"
1.5 m t														6.4*	6.4*	5.6*	5.6*	4.3	4.8*	2.8	4.3*	2.3	3.8	17.2		
5 ft lb														14.8*	14.8*	19.8	23.1*	14.9	17.7*	11.6	14.4*	9.2	12.1*	7.5	10.5*	56'4"
0 m t		2.7*	2.7*											5.6*	5.6*	4.9	4.9	4.0	5.8*	3.2	5.0*	2.7	4.3	2.0	3.6	16.8
0 ft lb		6.2*	6.2*	12.9*	12.9*	17.8	24.0*	13.5	18.5*	10.6	14.9*	8.5	12.5*	6.9	10.7*	5.7	9.2*	4.2	6.1*	4.1	7.8	3.9	6.6	3.8	6.3*	55'11"
-1.5 m t		4.0*	4.0*	6.2*	6.2*	7.7	10.6*	5.8	8.6*	4.6	7.0*	3.7	5.9*	3.0	4.9	2.5	4.1	2.1	3.5	1.8	3.0	1.7	3.0	16.8		
-5 ft lb		9.0*	9.0*	14.0*	14.0*	16.7	23.9*	12.5	18.7*	9.8	15.2*	8.0	12.7*	6.5	10.6	5.4	8.9	4.5	7.6	3.8	6.5	3.8	6.5	5.5*		
-3.0 m t		5.3*	5.3*	7.2*	7.2*	7.5	10.7*	5.5	8.5*	4.3	7.0*	3.5	5.8	2.9	4.8	2.4	4.0	2.0	3.5	1.8	3.0	1.7	3.0	16.4		
-10 ft lb		11.9*	11.9*	16.2*	16.2*	16.2	23.2*	11.9	18.4*	9.3	15.0*	7.6	12.5	6.2	10.3	5.2	8.7	4.4	7.4	3.9	6.7	3.9	6.7	53'8"		
-4.5 m t		6.6*	6.6*	8.5*	8.5*	7.4	10.1*	5.4	8.1*	4.2	6.7*	3.4	5.7*	2.8	4.7	2.4	4.0	2.0	3.4	1.8	3.2*	1.8	3.2*	15.8		
-15 ft lb		14.9*	14.9*	19.1*	19.1*	16.0	21.8*	11.7	17.6*	9.1	14.5*	7.3	12.2	6.0	10.1	5.1	8.6	4.3	7.4	4.1	7.0*	4.1	7.0*	51'10"		
-6.0 m t		8.0*	8.0*	10.0*	10.0*	7.5	9.2*	5.4	7.6*	4.2	6.3*	3.4	5.3*	2.8	4.5*	2.3	3.8*	2.0	3.2*	2.0	3.1*	2.0	3.1*	15.1		
-20 ft lb		18.0*	18.0*	22.5*	22.5*	16.2	19.9*	11.7	16.4*	9.0	13.6*	7.3	11.5*	6.0	9.7*	5.1	8.2*					4.4	6.8*	49'5"		
-7.5 m t		9.6*	9.6*	9.8*	9.8*	7.7	8.1*	5.5	6.8*	4.2	5.7*	3.4	4.8*	2.8	4.1*	2.4	3.3*					2.2	3.0*	14.2		
-25 ft lb		21.5*	21.5*	21.0*	21.0*	16.6	17.4*	11.9	14.6*	9.1	12.3*	7.3	10.3*	6.1	8.6*	5.2	7.0*					5.0	6.6*	46'4"		
-9.0 m t														2.9	3.3*							2.6	2.8*	13.0		
-30 ft lb														5.9	6.3*	7.0*						5.9	6.1*	42'5"		
-10.5 m t														3.0*	3.0*							2.4*	2.4*	11.6		
-35 ft lb														5.2*	5.2*	6.1*	6.1*					5.2*	5.2*	37'4"		

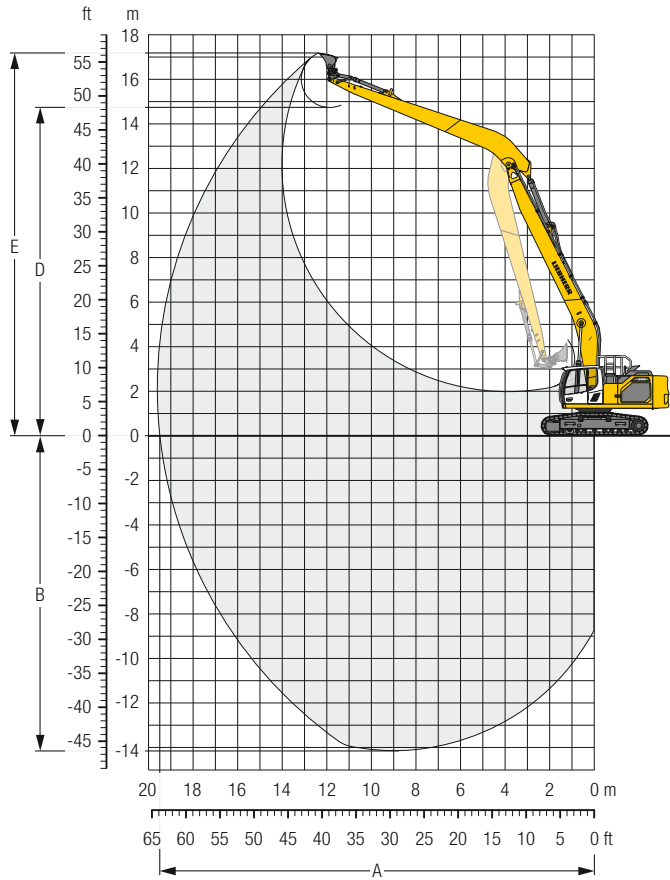
R 938

↕ Height ↕ Can be slewed through 360° ↕ In longitudinal position of undercarriage ↕ Max. reach * Limited by hydr. capacity

The load values are quoted in tons (t) / lb x 1,000 at stick end (without bucket), and may be swung 360° on firm and even ground. Adjacent values are valid for the undercarriage when in the longitudinal position. Capacities are valid for 800 mm / 31" wide track pads. Indicated loads are based on ISO 10567 standard and do not exceed 75% of tipping or 87% of hydraulic capacity (indicated via *). Without bucket cylinder, link and lever the lift capacities will increase by 325 kg / 720 lb. Lifting capacity of the excavator is limited by machine stability and hydraulic capacity. Determine maximum load lift from load lift chart displayed in the operator's cab or from load lift chart detailed in the operator's manual supplied with the machine.

Multi-User equipment with mono boom 10.70 m/35'1"

R 938



Digging envelope

Stick length	m/ft in	8.90/29'2"
A Max. reach at ground level	m/ft in	19.50/64'
B Max. digging depth	m/ft in	14.13/46'4"
D Max. dumping height	m/ft in	14.74/48'4"
E Max. cutting height	m/ft in	17.18/56'4"

Forces

Stick digging force (ISO 6015)	kN/lbf	83/18,660
Bucket digging force (ISO 6015)	kN/lbf	173/38,890
Stick digging force (SAE J1179)	kN/lbf	81/18,210
Bucket digging force (SAE J1179)	kN/lbf	151/33,950

Operating weight and ground pressure

The operating weight includes the basic machine with counterweight 11.8t/26,020 lb, mono boom 10.70 m/35'1", stick 8.90 m/29'2" and bucket 0.55 m³/0.72 yd³ (580 kg/1,280 lb).

Undercarriage		LC			
Pad width	mm/in	600/24"	700/28"	800/31"	900/35"
Weight	kg/lb	41,300/91,050	41,600/91,710	42,000/92,590	42,400/93,480
Ground pressure	kg/cm ² /psi	0.8/11.4	0.69/9.8	0.61/8.7	0.55/7.8

Undercarriage		WLC			
Pad width	mm/in	600/24"	700/28"	800/31"	900/35"
Weight	kg/lb	41,850/92,260	42,150/92,930	42,550/93,810	43,000/94,800
Ground pressure	kg/cm ² /psi	0.76/10.8	0.65/9.2	0.58/8.2	0.52/7.4

Stick 8.90 m / 29'2"

Under-carriage	3.0 m 10 ft		4.5 m 15 ft		6.0 m 20 ft		7.5 m 25 ft		9.0 m 30 ft		10.5 m 35 ft		12.0 m 40 ft		13.5 m 45 ft		15.0 m 50 ft		16.5 m 55 ft		18.0 m 60 ft		m ft in				
	t	lb	t	lb	t	lb	t	lb	t	lb	t	lb	t	lb	t	lb	t	lb	t	lb	t	lb	t	lb			
15.0 m																							1.9*	1.9*	13.0		
50 ft																							4.2*	4.2*	41'10"		
13.5 m															2.4*	2.4*							1.8*	1.8*	14.3		
45 ft															4.7*	4.7*							3.9*	3.9*	46'5"		
12.0 m															2.8*	2.8*	2.1*	2.1*					1.7*	1.7*	15.4		
40 ft															5.9*	5.9*	3.9*	3.9*					3.8*	3.8*	50'1"		
10.5 m															3.1*	3.1*	2.6*	2.6*					1.7*	1.7*	16.3		
35 ft															6.7*	6.7*	5.3*	5.3*					3.7*	3.7*	53'1"		
9.0 m															3.4*	3.4*	3.0*	3.0*	2.1*	2.1*			1.7*	1.7*	17.0		
30 ft															7.3*	7.3*	6.3*	6.3*	4.0*	4.0*			3.7*	3.7*	55'6"		
7.5 m															3.8*	3.8*	3.5*	3.5*	2.9	2.9	2.3	2.6*	1.7*	1.7*	17.5		
25 ft															8.2*	8.2*	7.6*	7.6*	6.2	7.0*	4.9	5.2*	3.7*	3.7*	57'5"		
6.0 m															4.3*	4.3*	3.9*	3.9*	3.5	3.6*	2.8	3.0*	1.7*	1.7*	17.9		
20 ft															9.3*	9.3*	8.5*	8.5*	7.5	7.8*	6.0	7.2*	3.7*	3.7*	58'8"		
4.5 m															5.3*	5.3*	4.6*	4.6*	3.3	3.7*	2.7	3.4*	1.7	2.0*	16.2		
15 ft															11.5*	11.5*	10.1*	10.1*	9.0	9.0*	7.1	8.1*	3.6	3.8*	59'7"		
3.0 m															14.4*	14.4*	12.0*	12.0*	8.8*	8.8*	6.9*	6.9*	1.6	2.2*	15.6		
10 ft															37.4*	37.4*	25.9*	25.9*	18.9*	18.9*	15.0*	15.0*	3.4	4.1*	60'1"		
1.5 m															3.8*	3.8*	11.7*	11.7*	9.8*	9.8*	7.4	7.6*	5.7	6.2*	18.3		
5 ft															8.7*	8.7*	27.5*	27.5*	21.2*	21.2*	15.9	16.4*	12.2	13.4*	60'1"		
0 m															7.7*	7.7*	16.5*	16.5*	18.9	22.8*	14.2	17.5*	11.0	14.1*	18.2		
0 ft															7.7*	7.7*	16.5*	16.5*	18.9	22.8*	14.2	17.5*	11.0	14.1*	18.2		
-1.5 m															4.0*	4.0*	6.6*	6.6*	8.0	10.9*	6.0	8.4*	4.7	6.7*	18.0		
-5 ft															9.0*	9.0*	15.0*	15.0*	17.2	23.5*	12.8	18.1*	10.0	14.6*	59'		
-3.0 m															4.9*	4.9*	7.0*	7.0*	7.5	10.8*	5.6	8.4*	4.3	6.8*	17.6		
-10 ft															10.9*	10.9*	15.9*	15.9*	16.1	23.4*	12.0	18.2*	9.4	14.8*	57'8"		
-4.5 m															5.9*	5.9*	7.9*	7.9*	7.3	10.4*	5.3	8.3*	4.1	6.7*	17.1		
-15 ft															13.2*	13.2*	17.7*	17.7*	15.7	22.6*	11.5	17.9*	8.9	14.6*	56'		
-6.0 m															7.0*	7.0*	8.9*	8.9*	7.2	9.8*	5.2	7.9*	4.0	6.5*	16.4		
-20 ft															15.7*	15.7*	20.2*	20.2*	15.6	21.2*	11.3	17.0*	8.7	14.0*	53'8"		
-7.5 m															8.2*	8.2*	10.3*	10.3*	7.3	8.9*	5.2	7.3*	4.0	6.0*	15.6		
-25 ft															18.5*	18.5*	23.2*	23.2*	15.7	19.3*	11.3	15.7*	8.7	13.0*	50'11"		
-9.0 m															9.6*	9.6*	9.6*	9.6*	7.5	7.8*	5.3	6.4*	4.1	5.4*	14.5		
-30 ft															21.6*	21.6*	20.6*	20.6*	16.2	16.7*	11.5	13.8*	8.8	11.5*	47'5"		
-10.5 m															9.3*	9.3*	7.5*	7.5*	6.3*	6.3*	5.3*	5.3*	4.2	4.5*	13.3		
-35 ft															9.3*	9.3*	15.9*	15.9*	13.3*	13.3*	11.2*	11.2*	9.2	9.4*	42'11"		
-12.0 m																			4.4*	4.4*	3.8*	3.8*	3.2*	3.2*	2.5*	2.5*	11.6
-40 ft																			9.0*	9.0*	7.8*	7.8*	6.4*	6.4*	5.0*	5.0*	37'4"

R 938

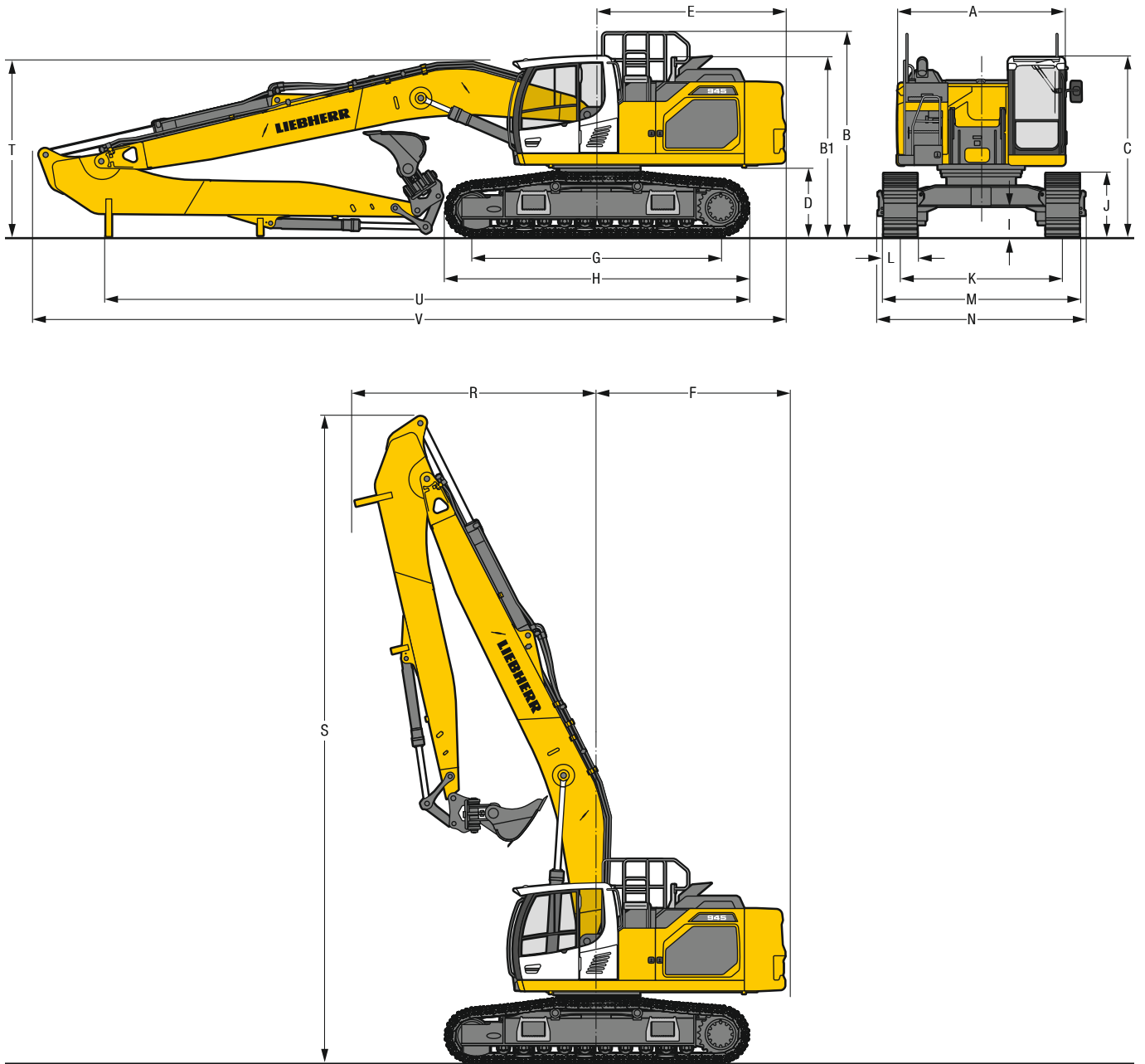
Height
 Can be swerved through 360°
 In longitudinal position of undercarriage
 Max. reach
 * Limited by hydr. capacity

The load values are quoted in tons (t) / lb x 1,000 at stick end (without bucket), and may be swung 360° on firm and even ground. Adjacent values are valid for the undercarriage when in the longitudinal position. Capacities are valid for 800 mm / 31" wide track pads. Indicated loads are based on ISO 10567 standard and do not exceed 75% of tipping or 87% of hydraulic capacity (indicated via *). Without bucket cylinder, link and lever the lift capacities will increase by 325 kg / 720 lb. Lifting capacity of the excavator is limited by machine stability and hydraulic capacity.

Determine maximum load lift from load lift chart displayed in the operator's cab or from load lift chart detailed in the operator's manual supplied with the machine.

Dimensions

R 945



	S-HD			mm/ft in			LC-V			mm/ft in		
A	Upper-carriage width			2,990 ²⁾ / 9'10"²⁾						2,990 ²⁾ / 9'10"²⁾		
B	Upper-carriage height			3,635 / 11'11"						3,760 / 12' 4"		
B1	Upper-carriage height (handrails folded)			3,195 / 10' 6"						3,320 / 10'11"		
C	Cab height			3,215 / 10' 7"						3,340 / 10'11"		
D	Counterweight ground clearance			1,240 / 4' 1"						1,365 / 4' 6"		
E	Rear-end length			3,350 / 11'						3,350 / 11'		
F	Tail swing radius			3,450 / 11' 4"						3,450 / 11' 4"		
G	Wheelbase			4,400 / 14' 5"						4,400 / 14' 5"		
H	Undercarriage length			5,365 / 17' 7"						5,350 / 17' 7"		
I	Undercarriage ground clearance			550 / 1'10"						740 / 2' 2"		
J	Track height			1,145 / 3' 9"						1,185 / 3'11"		
K	Track gauge			2,890 / 9' 6"						2,390 / 7'10" / 9' 6"³⁾		
L	Track pad width			600 / 24" 750 / 30" 900 / 35"			600 / 24" 750 / 30"			900 / 35"		
M	Width over tracks			3,490 / 11' 5" 3,640 / 11'11" 3,790 / 12' 5"			2,990 / 9'10" / 11' 5"³⁾ 3,140 / 10'4" / 11'11"³⁾ 3,290 / 10'10" / 12' 5"³⁾					
N	Width over steps			3,695 ¹⁾ / 12' 1"¹⁾ 3,695 ¹⁾ / 12' 1"¹⁾ 3,695 ¹⁾ / 12' 1"¹⁾			3,200 / 10' 6" / 12' 2"¹⁾ / 2"¹⁾ 3,200 / 10'6" / 12' 2"¹⁾ / 2"¹⁾ 3,200 / 10'6" / 12' 2"¹⁾ / 2"¹⁾					

¹⁾ width with removable steps

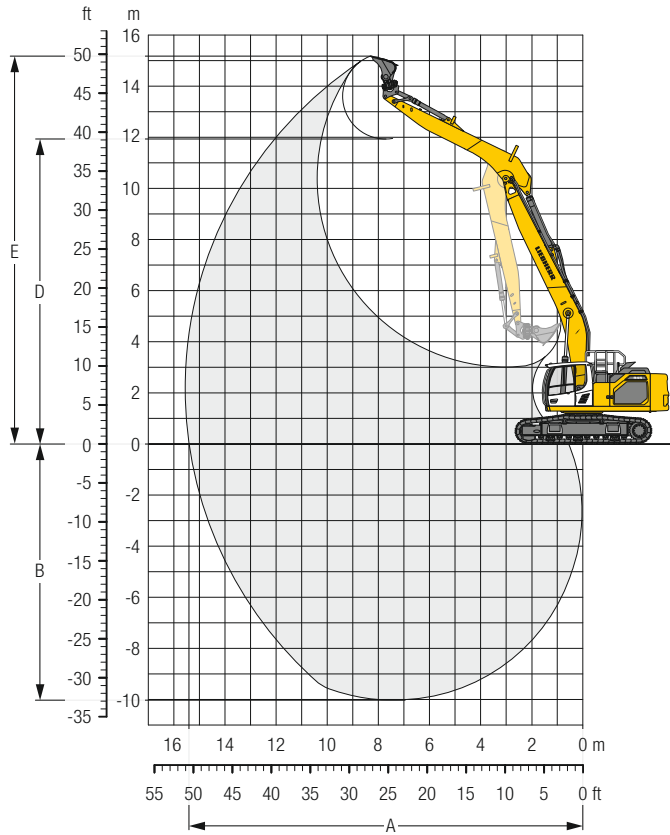
²⁾ without door stop device and spacer

³⁾ work position

	Stick length	Mono boom 8.70 m/28'7"	Mono boom 10.70 m/35'1" / Stiel 7.70 m/25'3"	Mono boom 10.70 m/35'1" / Stiel 8.90 m/29'2"
	m/ft in	Direct mounting mm/ft in	Direct mounting mm/ft in	Direct mounting mm/ft in
R	Front swing radius	5.70/18'8" 7.70/25'3" 8.90/29'2"	4,350/14'3" – –	– 4,900/16'1" –
S	Height with boom up	5.70/18'8" 7.70/25'3" 8.90/29'2"	11,500/37'9" – –	– 13,400/44' –
T	Boom height	5.70/18'8" 7.70/25'3" 8.90/29'2"	3,100/10'2" – –	– 3,250/10'8" –
U	Length on ground	5.70/18'8" 7.70/25'3" 8.90/29'2"	11,400/37'5" – –	– 11,650/38'3" –
V	Overall length	5.70/18'8" 7.70/25'3" 8.90/29'2"	13,400/44' – –	– 7,500/24'7" –
	Bucket	–	1.25 m ³ / 1.63 yd³	0.75 m ³ / 0.98 yd³
				0.55 m ³ / 0.72 yd³

Multi-User equipment with mono boom 8.70 m/28'7"

R 945



Digging envelope

Stick length	m/ft in	5.70/18' 8"
A Max. reach at ground level	m/ft in	15.41/47' 3"
B Max. digging depth	m/ft in	10.02/32' 10"
D Max. dumping height	m/ft in	11.93/39' 2"
E Max. cutting height	m/ft in	15.17/49' 9"

Forces

Stick digging force (ISO 6015)	kN/lbf	117/26,300
Bucket digging force (ISO 6015)	kN/lbf	190/42,710
Stick digging force (SAE J1179)	kN/lbf	114/25,630
Bucket digging force (SAE J1179)	kN/lbf	166/37,320

Operating weight and ground pressure

The operating weight includes the basic machine with counterweight 11.8 t/26,020 lb, mono boom 8.70 m/28'7", stick 5.70 m/18'8" and bucket 1.25 m³/1.63 yd³ (1,000 kg/2,210 lb).

Undercarriage		S-HD		
Pad width	mm/in	600/24"	750/30"	900/35"
Weight	kg/lb	44,400/97,890	45,650/100,640	46,500/102,520
Ground pressure	kg/cm ² /psi	0.78/11.1	0.64/9.1	0.55/7.8

Undercarriage		LC-V		
Pad width	mm/in	600/24"	750/30"	900/35"
Weight	kg/lb	46,800/103,180	48,050/105,930	48,900/107,810
Ground pressure	kg/cm ² /psi	0.83/11.8	0.68/9.7	0.57/8.1

Stick 5.70 m / 18'8"

Under-carriage	3.0 m 10 ft		4.5 m 15 ft		6.0 m 20 ft		7.5 m 25 ft		9.0 m 30 ft		10.5 m 35 ft		12.0 m 40 ft		13.5 m 45 ft		m ft in				
	t	lb	t	lb	t	lb	t	lb	t	lb	t	lb	t	lb	t	lb	m	ft in			
13.5 m 45 ft																	3.7*	3.7*	8.1 25'6"		
12.0 m 40 ft									4.5*	4.5*									3.3*	3.3*	9.9 31'8"
10.5 m 35 ft									5.4*	5.4*	4.1*	4.1*							3.0*	3.0*	11.2 36'2"
9.0 m 30 ft									5.9*	5.9*	5.2*	5.2*	3.1*	3.1*					2.9*	2.9*	12.1 39'6"
7.5 m 25 ft									6.4*	6.4*	6.0*	6.0*	4.6*	4.6*					2.9*	2.9*	12.9 42'
6.0 m 20 ft							7.6*	7.6*	6.8*	6.8*	6.2*	6.2*	5.3	5.5*					2.9*	2.9*	13.4 43'10"
4.5 m 15 ft	21.2*	21.2*	13.6*	13.6*	10.4*	10.4*	8.5*	8.5*	7.3*	7.3*	6.4	6.5*	5.2	5.8*	3.5*	3.5*			2.9*	2.9*	13.7 44'11"
3.0 m 10 ft	45.0*	45.0*	29.3*	29.3*	22.4*	22.4*	18.4*	18.4*	15.8*	15.8*	13.8	14.0*	11.1	12.7*					6.5*	6.5*	13.9 45'6"
1.5 m 5 ft			9.7*	9.7*	22.7*	22.7*	27.5*	27.5*	20.4	21.4*	15.9	17.7*	12.8	15.1*	8.4*	8.4*			7.1*	7.1*	13.9 45'6"
0 m 0 ft	3.9*	3.9*	8.9*	8.9*	12.2	13.1*	9.0	10.2*	7.1	8.4*	5.8	7.1*	4.8	6.1*	4.0	4.3*			3.4*	3.4*	13.7 44'11"
-1.5 m -5 ft	8.8*	8.8*	20.3*	20.3*	26.3	28.5*	19.5	22.2*	15.3	18.2*	12.4	15.3*	10.3	13.2*					7.6*	7.6*	13.3 43'10"
-3.0 m -10 ft	13.8*	13.8*	23.0*	23.0*	25.7	28.1*	19.0	22.2*	14.9	18.1*	12.1	15.2*	10.1	12.9*					8.3*	8.3*	12.8 42'
-4.5 m -15 ft	19.0*	19.0*	27.7*	27.7*	25.4	26.6*	18.7	21.4*	14.7	17.5*	12.0	14.6*	10.1	12.0*					4.2*	4.2*	12.1 42'
-6.0 m -20 ft	24.8*	24.8*	29.9*	29.9*	24.1*	24.1*	18.7	19.6*	14.6	16.1*	12.0	13.2*		4.9*					4.6*	4.6*	11.1 39'6"
-7.5 m -25 ft	29.4*	29.4*	24.6*	24.6*	20.4*	20.4*	16.8*	16.8*	13.7*	13.7*	10.7*	10.7*							10.2	10.4*	9.8 31'7"
13.5 m 45 ft																			3.6*	3.6*	8.1 25'6"
12.0 m 40 ft									4.6*	4.6*									3.2*	3.2*	9.9 31'8"
10.5 m 35 ft									5.4*	5.4*	4.3*	4.3*							3.0*	3.0*	11.2 36'2"
9.0 m 30 ft									5.9*	5.9*	5.3*	5.3*	3.3*	3.3*					2.9*	2.9*	12.1 39'6"
7.5 m 25 ft									6.5*	6.5*	6.0*	6.0*	4.7*	4.7*					2.9*	2.9*	12.9 42'
6.0 m 20 ft							7.8*	7.8*	6.9*	6.9*	6.2*	6.2*	5.6	5.6*					2.9*	2.9*	13.4 43'10"
4.5 m 15 ft	21.9*	21.9*	13.9*	13.9*	10.5*	10.5*	8.6*	8.6*	7.3*	7.3*	6.5*	6.5*	5.4	5.8*	3.6*	3.6*			2.9*	2.9*	13.7 44'11"
3.0 m 10 ft	46.4*	46.4*	29.8*	29.8*	22.6*	22.6*	18.5*	18.5*	15.9*	15.9*	14.1*	14.1*	11.7	12.7*					6.5*	6.5*	13.9 45'6"
1.5 m 5 ft			9.4*	9.4*	22.1*	22.1*	27.6*	27.6*	21.4	21.5*	16.7	17.7*	13.4	15.1*	8.4*	8.4*			3.1*	3.1*	13.9 45'6"
0 m 0 ft	4.1*	4.1*	8.9*	8.9*	12.8	13.1*	9.5	10.3*	7.4	8.4*	6.0	7.1*	5.0	6.1*	4.3	4.3*			3.5*	3.5*	13.7 44'11"
-1.5 m -5 ft	9.2*	9.2*	20.4*	20.4*	27.6	28.5*	20.5	22.2*	16.1	18.2*	13.0	15.3*	10.8	13.2*					3.8*	3.8*	13.3 43'10"
-3.0 m -10 ft	14.2*	14.2*	23.3*	23.3*	27.0	28.0*	19.9	22.2*	15.7	18.1*	12.8	15.2*	10.7	12.8*					4.3*	4.3*	12.8 42'
-4.5 m -15 ft	19.5*	19.5*	28.2*	28.2*	26.4*	26.4*	19.7	21.2*	15.5	17.4*	12.6	14.5*	10.6	11.9*					4.7*	4.7*	12.1 42'
-6.0 m -20 ft	25.3*	25.3*	29.5*	29.5*	23.8*	23.8*	19.4*	19.4*	15.5	16.0*	12.7	13.1*		4.8*					4.4*	4.4*	11.1 39'6"
-7.5 m -25 ft	28.6*	28.6*	24.0*	24.0*	20.0*	20.0*	16.6*	16.6*	13.5*	13.5*	10.4*	10.4*							9.5*	9.5*	9.8 31'7"

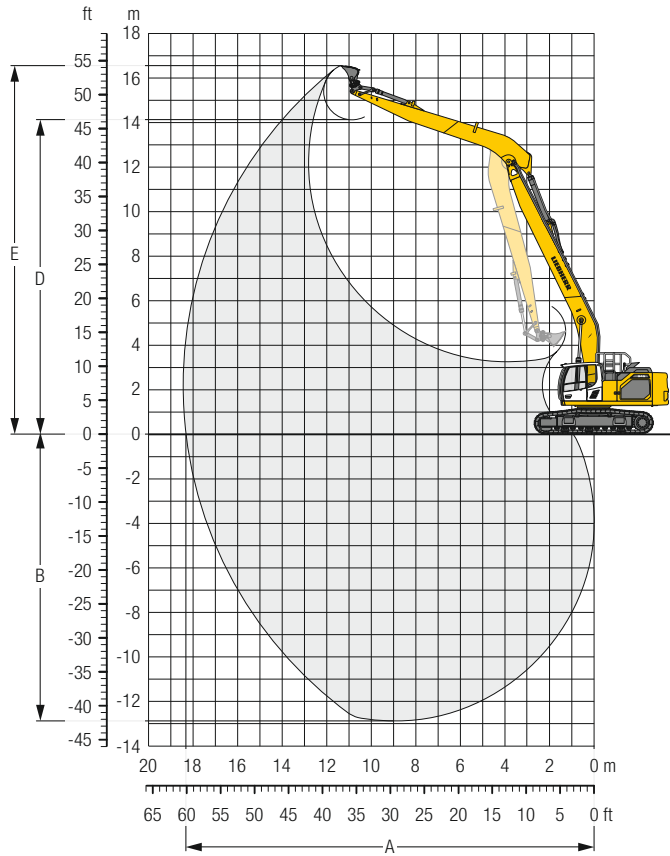
Height
 Can be swerved through 360°
 In longitudinal position of undercarriage
 Max. reach
 * Limited by hydr. capacity

The load values are quoted in tons (t) / lb x 1,000 at stick end (without bucket), and may be swung 360° on firm and even ground. Adjacent values are valid for the undercarriage when in the longitudinal position. Capacities are valid for 750 mm / 30" wide track pads. Indicated loads are based on ISO 10567 standard and do not exceed 75% of tipping or 87% of hydraulic capacity (indicated via *). Without bucket cylinder, link and lever the lift capacities will increase by 400 kg / 880 lb. Lifting capacity of the excavator is limited by machine stability and hydraulic capacity.

Determine maximum load lift from load lift chart displayed in the operator's cab or from load lift chart detailed in the operator's manual supplied with the machine.

Multi-User equipment with mono boom 10.70 m/35'1"

R 945



Digging envelope

Stick length	m/ft in	7.70/25'3"
A Max. reach at ground level	m/ft in	18.32/60'1"
B Max. digging depth	m/ft in	12.87/42'3"
D Max. dumping height	m/ft in	14.11/46'4"
E Max. cutting height	m/ft in	16.54/54'3"

Forces

Stick digging force (ISO 6015)	kN/lbf	95/21,360
Bucket digging force (ISO 6015)	kN/lbf	173/38,890
Stick digging force (SAE J1179)	kN/lbf	93/20,910
Bucket digging force (SAE J1179)	kN/lbf	151/33,950

Operating weight and ground pressure

The operating weight includes the basic machine with counterweight 11.8t/26,020 lb, mono boom 10.70 m/35'1", stick 7.70 m/25'3" and bucket 0.75 m³/0.98 yd³ (620 kg/1,370 lb).

Undercarriage	S-HD			
Pad width	mm/in	600/24"	750/30"	900/35"
Weight	kg/lb	45,100/99,430	46,350/102,180	47,200/104,060
Ground pressure	kg/cm ²	0.79/11.2	0.65/9.2	0.56/8.0

Undercarriage	LC-V			
Pad width	mm/in	600/24"	750/30"	900/35"
Weight	kg/lb	47,500/104,720	48,750/107,480	49,600/109,350
Ground pressure	kg/cm ²	0.84/11.9	0.69/9.8	0.58/8.2

Stick 7.70 m / 25'3"

Under-carriage	3.0 m 10 ft		4.5 m 15 ft		6.0 m 20 ft		7.5 m 25 ft		9.0 m 30 ft		10.5 m 35 ft		12.0 m 40 ft		13.5 m 45 ft		15.0 m 50 ft		16.5 m 55 ft		m ft in		
	t	lb	t	lb	t	lb	t	lb	t	lb	t	lb	t	lb	t	lb	t	lb	t	lb	m	ft in	
15.0 m																					2.6*	2.6*	11.5
50 ft																					5.8*	5.8*	36'8"
13.5 m																					2.4*	2.4*	13.0
45 ft																					5.4*	5.4*	41'11"
12.0 m																					2.3*	2.3*	14.1
40 ft																					5.2*	5.2*	45'11"
10.5 m																					2.3*	2.3*	15.1
35 ft																					5.1*	5.1*	49'1"
9.0 m																					2.3*	2.3*	15.8
30 ft																					5.0*	5.0*	51'7"
7.5 m																					2.3*	2.3*	16.4
25 ft																					5.1*	5.1*	53'6"
6.0 m																					2.4*	2.4*	16.8
20 ft																					5.2*	5.2*	54'11"
4.5 m	18.8*	18.8*	11.9*	11.9*	8.8*	8.8*	7.0*	7.0*	11.9*	11.9*	10.5*	10.5*	9.4*	9.4*	8.5*	8.5*	7.3*	7.3*	2.7*	2.7*	2.4*	2.4*	17.0
15 ft																					5.4*	5.4*	55'10"
3.0 m																					2.4*	2.4*	17.2
10 ft																					5.3*	5.3*	56'4"
1.5 m																					2.3*	2.3*	17.2
5 ft																					5.1*	5.1*	56'4"
0 m	2.8*	2.8*	5.7*	5.7*	10.4	11.1*	7.8	8.5*	6.2	6.9*	5.0	5.8*	4.1	5.0*	3.4	4.3*	2.9	3.8*	2.4	3.4*	2.3	2.9*	17.0
0 ft	6.3*	6.3*	12.9*	12.9*	22.5	24.0*	16.9	18.5*	13.3	15.0*	10.7	12.5*	8.8	10.7*	7.3	9.4*	6.2	8.3*	5.2	7.3*	5.1	6.4*	55'10"
-1.5 m	4.1*	4.1*	6.2*	6.2*	9.9	10.6*	7.4	8.6*	5.8	7.0*	4.7	5.9*	3.9	5.0*	3.3	4.3*	2.8	3.8*	2.4	3.3*	2.3	3.1*	16.7
-5 ft	9.1*	9.1*	14.1*	14.1*	21.4	23.9*	15.9	18.7*	12.5	15.2*	10.2	12.7*	8.4	10.8*	7.0	9.4*	6.0	8.2*	5.1	6.9*	5.1	6.9*	54'11"
-3.0 m	5.4*	5.4*	7.2*	7.2*	9.7	10.7*	7.1	8.5*	5.6	6.9*	4.5	5.8*	3.8	5.0*	3.2	4.3*	2.7	3.7*	2.4	3.2*	2.4	3.2*	16.3
-10 ft	12.0*	12.0*	16.3*	16.3*	20.9	23.1*	15.4	18.4*	12.0	15.0*	9.8	12.6*	8.1	10.7*	6.8	9.2*	5.8	7.9*	5.2	7.0*	5.2	7.0*	53'6"
-4.5 m	6.7*	6.7*	8.5*	8.5*	9.6	10.0*	7.0	8.1*	5.5	6.7*	4.4	5.6*	3.7	4.8*	3.1	4.1*	2.7	3.5*	2.5	3.2*	2.5	3.2*	15.8
-15 ft	15.0*	15.0*	19.2*	19.2*	20.8	21.7*	15.1	17.6*	11.8	14.5*	9.5	12.2*	7.9	10.4*	6.7	8.8*	5.8	7.5*	5.5	7.0*	5.5	7.0*	51'7"
-6.0 m	8.1*	8.1*	10.0*	10.0*	9.2*	9.2*	7.0	7.6*	5.4	6.3*	4.4	5.3*	3.6	4.5*	3.1	3.8*	2.7	3.1*	2.7	3.1*	2.7	3.1*	15.0
-20 ft	18.2*	18.2*	22.6*	22.6*	19.8*	19.8*	15.1	16.3*	11.7	13.6*	9.5	11.4*	7.9	9.7*	6.7	8.1*	5.9	6.8*	5.9	6.8*	5.9	6.8*	49'1"
-7.5 m	9.7*	9.7*	9.7*	9.7*	8.0*	8.0*	6.7*	6.7*	5.5	5.7*	4.4	4.8*	3.7	4.0*	3.2	3.3*	3.0	3.0*	3.0	3.0*	3.0	3.0*	14.1
-25 ft	21.7*	21.7*	20.9*	20.9*	17.3*	17.3*	14.5*	14.5*	11.8	12.2*	9.6	10.3*	8.0	8.6*	6.8	7.0*	6.6*	6.6*	6.6*	6.6*	6.6*	6.6*	54'11"
-9.0 m																					2.8*	2.8*	12.9
-30 ft																					6.1*	6.1*	41'10"
-10.5 m																					2.4*	2.4*	11.4
-35 ft																					5.2*	5.2*	36'7"

R 945

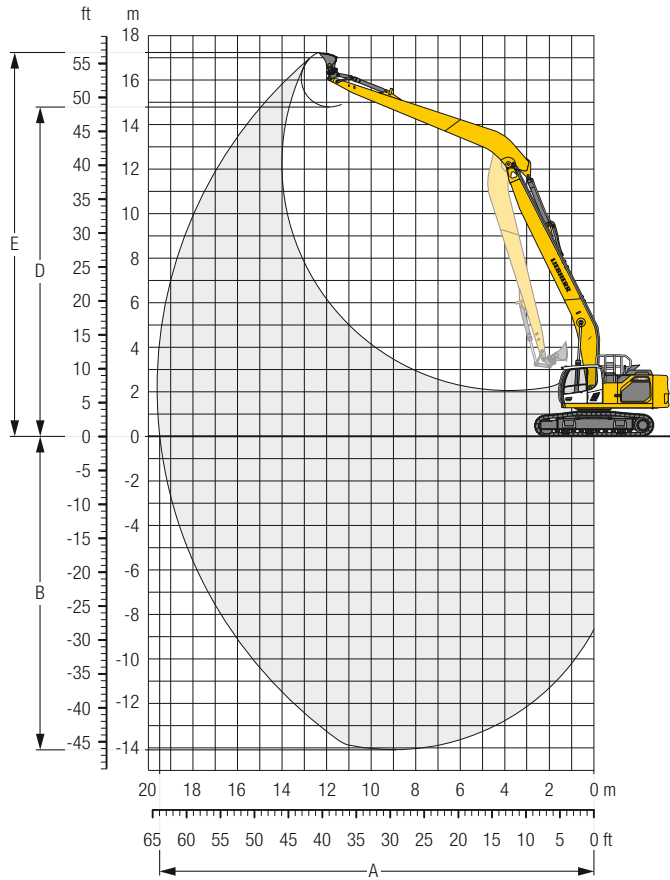
Height
 Can be slewed through 360°
 In longitudinal position of undercarriage
 Max. reach
 * Limited by hydr. capacity

The load values are quoted in tons (t) / lb x 1,000 at stick end (without bucket), and may be swung 360° on firm and even ground. Adjacent values are valid for the undercarriage when in the longitudinal position. Capacities are valid for 750 mm / 30" wide track pads. Indicated loads are based on ISO 10567 standard and do not exceed 75% of tipping or 87% of hydraulic capacity (indicated via *). Without bucket cylinder, link and lever the lift capacities will increase by 325 kg / 720 lb. Lifting capacity of the excavator is limited by machine stability and hydraulic capacity.

Determine maximum load lift from load lift chart displayed in the operator's cab or from load lift chart detailed in the operator's manual supplied with the machine.

Multi-User equipment with mono boom 10.70 m/35'1"

R 945



Digging envelope

Stick length	m/ft in	8.90/29'2"
A Max. reach at ground level	m/ft in	19.50/64'
B Max. digging depth	m/ft in	14.07/46'2"
D Max. dumping height	m/ft in	14.80/48'7"
E Max. cutting height	m/ft in	17.24/56'7"

Forces

Stick digging force (ISO 6015)	kN/lbf	83/18,660
Bucket digging force (ISO 6015)	kN/lbf	173/38,890
Stick digging force (SAE J1179)	kN/lbf	81/18,210
Bucket digging force (SAE J1179)	kN/lbf	151/33,950

Operating weight and ground pressure

The operating weight includes the basic machine with counterweight 11.8t/26,020 lb, mono boom 10.70 m/35'1", stick 8.90 m/29'2" and bucket 0.55 m³/0.72 yd³ (580 kg/1,280 lb).

Undercarriage		S-HD		
Pad width	mm/in	600/24"	750/30"	900/35"
Weight	kg/lb	45,200/104,650	46,450/102,410	47,300/104,280
Ground pressure	kg/cm ²	0.79/11.2	0.65/9.2	0.56/8.0

Undercarriage		LC-V		
Pad width	mm/in	600/24"	750/30"	900/35"
Weight	kg/lb	47,600/104,940	48,850/107,700	49,700/109,570
Ground pressure	kg/cm ²	0.84/11.9	0.69/9.8	0.58/8.2

Stick 8.90 m / 29'2"

Under-carriage	3.0 m 10 ft		4.5 m 15 ft		6.0 m 20 ft		7.5 m 25 ft		9.0 m 30 ft		10.5 m 35 ft		12.0 m 40 ft		13.5 m 45 ft		15.0 m 50 ft		16.5 m 55 ft		18.0 m 60 ft		m ft in						
	t	lb	t	lb	t	lb	t	lb	t	lb	t	lb	t	lb	t	lb	t	lb	t	lb	t	lb	t	lb					
15.0 m																							1.9*	1.9*	13.2				
50 ft																							4.2*	4.2*	42'5"				
13.5 m																2.4*	2.4*								1.8*	1.8*	14.5		
45 ft																4.8*	4.8*								3.9*	3.9*	46'11"		
12.0 m																2.8*	2.8*	2.1*	2.1*						1.7*	1.7*	15.5		
40 ft																6.0*	6.0*	3.9*	3.9*						3.8*	3.8*	50'7"		
10.5 m																3.1*	3.1*	2.6*	2.6*						1.7*	1.7*	16.4		
35 ft																6.7*	6.7*	5.4*	5.4*						3.7*	3.7*	53'6"		
9.0 m																3.4*	3.4*	3.0*	3.0*	2.1*	2.1*				1.7*	1.7*	17.1		
30 ft																7.3*	7.3*	6.3*	6.3*	4.1*	4.1*				3.7*	3.7*	55'10"		
7.5 m																3.8*	3.8*	3.5*	3.5*	3.2*	3.2*	2.6*	2.6*		1.7*	1.7*	17.6		
25 ft																8.2*	8.2*	7.6*	7.6*	7.0*	7.0*				3.7*	3.7*	57'7"		
6.0 m																4.3*	4.3*	3.9*	3.9*	3.6*	3.6*	3.3*	3.3*	2.6	1.7*	1.7*	18.0		
20 ft																9.4*	9.4*	8.5*	8.5*	7.8*	7.8*	7.2*	7.2*	6.0	3.7*	3.7*	58'11"		
4.5 m																5.3*	5.3*	4.7*	4.7*	4.1*	4.1*	3.7*	3.7*	3.3	2.0*	2.0*	18.2		
15 ft																11.5*	11.5*	10.1*	10.1*	9.0*	9.0*	8.1*	8.1*	7.1	3.8*	3.8*	59'8"		
3.0 m																10.1*	10.1*	9.4*	9.4*	8.3	8.3	7.4	7.4	5.8	4.0*	4.0*	60'1"		
10 ft																32.7*	32.7*	26.1*	26.1*	21.3*	21.3*	16.6*	16.6*	12.8*	2.2	2.2*	1.8*	1.8*	18.3
5 ft																8.5*	8.5*	6.6*	6.6*	5.3	5.3	4.4	4.4	3.0	2.1	2.1*	1.9*	1.9*	18.3
0 m																3.4*	3.4*	3.1*	3.1*	2.9	2.9	2.6	2.6	2.5	2.0	2.0*	2.0*	18.2	
0 ft																7.7*	7.7*	6.3*	6.3*	5.1	5.1	4.4	4.4	4.0	2.0	2.0*	2.0*	18.2	
-1.5 m																4.0*	4.0*	3.6*	3.6*	3.3	3.3	3.2	3.2	2.7	2.3	2.3*	2.3*	17.9	
-5 ft																9.1*	9.1*	7.5*	7.5*	6.1	6.1	5.1	5.1	4.3	4.0	4.0*	4.0*	58'10"	
-3.0 m																15.0*	15.0*	12.9*	12.9*	10.8*	10.8*	9.7	9.7	8.4	6.4	6.4*	6.4*	17.6	
-10 ft																11.0*	11.0*	9.5*	9.5*	8.0*	8.0*	7.0	7.0	6.0	4.4	4.4*	4.4*	17.0	
-4.5 m																11.0*	11.0*	9.5*	9.5*	8.0*	8.0*	7.0	7.0	6.0	4.4	4.4*	4.4*	17.0	
-15 ft																13.3*	13.3*	11.8*	11.8*	10.4*	10.4*	9.4	9.4	8.4	6.4	6.4*	6.4*	15.5	
-6.0 m																17.1*	17.1*	14.7*	14.7*	12.8*	12.8*	11.4	11.4	10.4	8.4	8.4*	8.4*	14.4	
-20 ft																15.8*	15.8*	14.7*	14.7*	13.3*	13.3*	12.1	12.1	11.4	9.4	9.4*	9.4*	13.5	
-7.5 m																8.3*	8.3*	7.1*	7.1*	6.0	6.0	5.3	5.3	4.4	2.4	2.4*	2.4*	15.6	
-25 ft																18.6*	18.6*	16.6*	16.6*	14.7*	14.7*	13.2	13.2	12.1	10.1	10.1*	10.1*	14.4	
-9.0 m																9.7*	9.7*	8.6*	8.6*	7.7	7.7	6.7	6.7	5.7	3.7	3.7*	3.7*	14.4	
-30 ft																21.8*	21.8*	20.4*	20.4*	18.2*	18.2*	16.6*	16.6*	15.4	13.4	13.4*	13.4*	14.4	
-10.5 m																7.4*	7.4*	6.2*	6.2*	5.3	5.3	4.4	4.4	3.7	2.4	2.4*	2.4*	13.1	
-35 ft																15.7*	15.7*	14.3*	14.3*	12.8*	12.8*	11.1*	11.1*	10.1	8.1	8.1*	8.1*	12.4	
-12.0 m																4.3*	4.3*	3.7*	3.7*	3.1*	3.1*	2.5*	2.5*	2.0	2.0*	2.0*	2.0*	11.4	
-40 ft																8.8*	8.8*	7.6*	7.6*	6.3*	6.3*	5.4	5.4	4.9	4.2	4.2*	4.2*	36'6"	

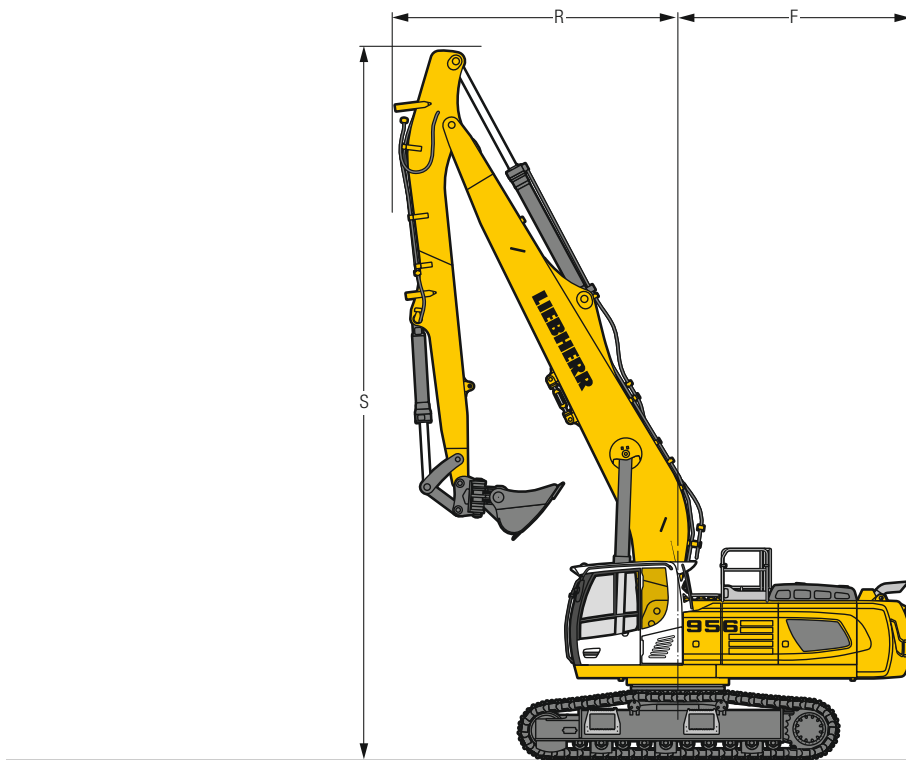
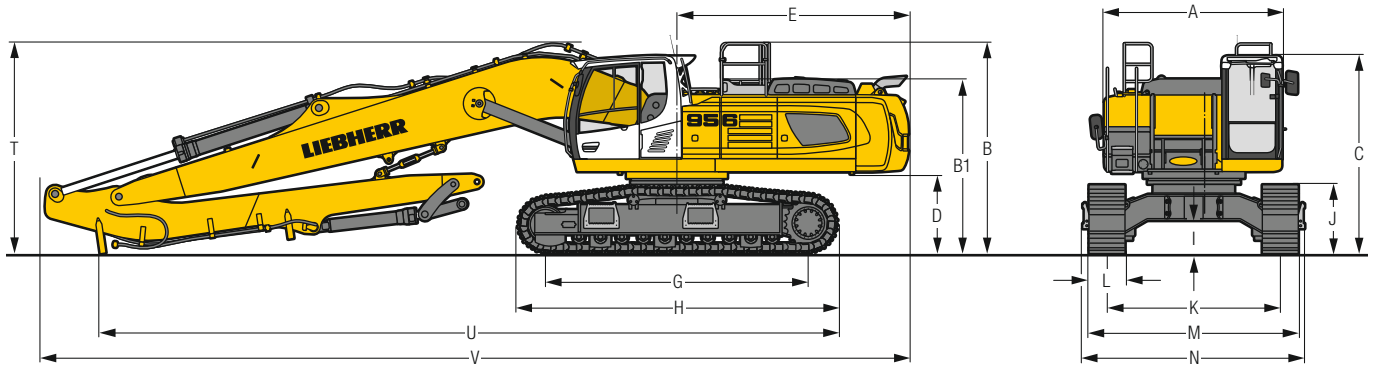
R 945

 Height
  Can be swerved through 360°
  In longitudinal position of undercarriage
  Max. reach
 * Limited by hydr. capacity

The load values are quoted in tons (t) / lb x 1,000 at stick end (without bucket), and may be swung 360° on firm and even ground. Adjacent values are valid for the undercarriage when in the longitudinal position. Capacities are valid for 750 mm/30" wide track pads. Indicated loads are based on ISO 10567 standard and do not exceed 75% of tipping or 87% of hydraulic capacity (indicated via *). Without bucket cylinder, link and lever the lift capacities will increase by 325 kg / 720 lb. Lifting capacity of the excavator is limited by machine stability and hydraulic capacity.

Determine maximum load lift from load lift chart displayed in the operator's cab or from load lift chart detailed in the operator's manual supplied with the machine.

Dimensions



R 956

		LC		mm/ft in	
A	Upper-carriage width			2,970 / 9' 9"	
B	Upper-carriage height			3,535 / 11' 7"	
B1	Upper-carriage height (handrails folded)			3,285 / 10' 9"	
C	Cab height			3,315 / 10' 11"	
D	Counterweight ground clearance			1,335 / 4' 5"	
E	Rear-end length			3,880 / 12' 9"	
F	Tail swing radius			3,900 / 12' 10"	
G	Wheelbase			4,400 / 14' 5"	
H	Under-carriage length			5,365 / 17' 7"	
I	Under-carriage ground clearance			555 / 1' 10"	
J	Track height			1,160 / 3' 10"	
K	Track gauge			2,900 / 9' 6"	
L	Track pad width	500 / 20"	600 / 24"	750 / 30"	
M	Width over tracks	3,500 / 11' 6"	3,650 / 12'	3,800 / 12' 6"	
N	Width over steps	3,715**/12' 2"***	3,715**/12' 2"***	3,715**/12' 2"***	

		LC-V		mm/ft in	
A	Upper-carriage width			2,970 / 9' 9"	
B	Upper-carriage height			3,660 / 12'	
B1	Upper-carriage height (handrails folded)			3,410 / 11' 2"	
C	Cab height			3,440 / 11' 3"	
D	Counterweight ground clearance			1,460 / 4' 9"	
E	Rear-end length			3,880 / 12' 9"	
F	Tail swing radius			3,900 / 12' 10"	
G	Wheelbase			4,400 / 14' 5"	
H	Under-carriage length			5,550 / 18' 3"	
I	Under-carriage ground clearance			800 / 2' 7"	
J	Track height			1,210 / 3' 12"	
K	Track gauge			2,390 / 2,890* / 7' 10" / 9' 6"***	
L	Track pad width	500 / 20"	600 / 24"	750 / 30"	
M	Width over tracks	2,490 / 2,990* / 8' 2" / 9' 10"***	2,640 / 3,140* / 8' 8" / 10' 4"***	2,790 / 3,290* / 9' 2" / 10' 10"***	
N	Width over steps	2,725 / 3,225*** / 8' 11" / 10' 7"***	2,725 / 3,225*** / 8' 11" / 10' 7"***	2,725 / 3,225*** / 8' 11" / 10' 7"***	

		LC-VW		mm/ft in	
A	Upper-carriage width			2,970 / 9' 9"	
B	Upper-carriage height			3,610 / 11' 10"	
B1	Upper-carriage height (handrails folded)			3,360 / 11'	
C	Cab height			3,390 / 11' 1"	
D	Counterweight ground clearance			1,410 / 4' 8"	
E	Rear-end length			3,880 / 12' 9"	
F	Tail swing radius			3,900 / 12' 10"	
G	Wheelbase			4,400 / 14' 5"	
H	Under-carriage length			5,365 / 17' 7"	
I	Under-carriage ground clearance			760 / 2' 6"	
J	Track height			1,165 / 3' 10"	
K	Track gauge			2,900 / 3,400* / 9' 6" / 11' 2"***	
L	Track pad width	500 / 20"	600 / 24"	750 / 30"	
M	Width over tracks	3,000 / 3,500*** / 9' 10" / 11' 6"***	3,150 / 3,650*** / 10' 4" / 12' 2"***	3,300 / 3,800*** / 10' 10" / 12' 6"***	
N	Width over steps	3,215 / 3,715*** / 10' 7" / 12' 2"***	3,215 / 3,715*** / 10' 7" / 12' 2"***	3,215 / 3,715*** / 10' 7" / 12' 2"***	

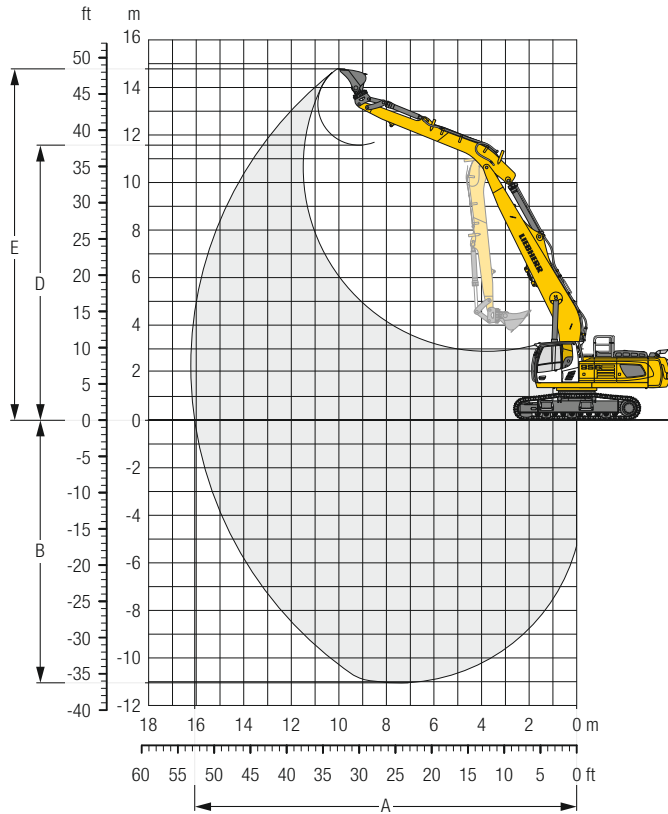
* work position

** width with removable steps

	Stick length m/ft in	Mono boom 9.00 m/29'6"	Mono boom 10.70 m/35'1"	Mono boom 13.00 m/42'8"
		Direct mounting mm/ft in	Direct mounting mm/ft in	Direct mounting mm/ft in
R Front swing radius	6.00 / 19' 8"	4,800 / 15' 9"	—	—
	8.50 / 27' 11"	—	5,500 / 18' 1"	—
	10.00 / 32' 10"	—	—	6,750 / 22' 2"
S Height with boom up	6.00 / 19' 8"	11,950 / 39' 2" / 12,100 / 39' 8" / 12,050 / 39' 6"	—	—
	8.50 / 27' 11"	—	13,400 / 44' / 13,550 / 44' 5" / 13,500 / 44' 3"	—
	10.00 / 32' 10"	—	—	15,400 / 50' 6" / 15,550 / 51' / 15,500 / 50' 10"
T Boom height	6.00 / 19' 8"	3,550 / 11' 8" / 3,650 / 12' / 3,600 / 11' 10"	—	—
	8.50 / 27' 11"	—	3,750 / 12' 4" / 3,850 / 12' 8" / 3,800 / 12' 6"	—
	10.00 / 32' 10"	—	—	3,850 / 12' 8" / 3,950 / 13' / 3,900 / 12' 10"
U Length on ground	6.00 / 19' 8"	12,300 / 40' 4" / 12,400 / 40' 8" / 12,300 / 40' 4"	—	—
	8.50 / 27' 11"	—	11,000 / 36' 1" / 11,050 / 36' 3" / 11,000 / 36' 1"	—
	10.00 / 32' 10"	—	—	13,600 / 44' 7" / 13,650 / 44' 9" / 13,600 / 44' 7"
V Overall length	6.00 / 19' 8"	14,550 / 47' 9"	—	—
	8.50 / 27' 11"	—	16,350 / 53' 8"	—
	10.00 / 32' 10"	—	—	18,700 / 61' 4"
Bucket		1.50 m³ / 1.96 yd³	1.25 m³ / 1.63 yd³	0.75 m³ / 0.98 yd³

Multi-User equipment with mono boom 9.00 m/29'6"

R 956



Digging envelope

Stick length	m/ft in	6.00/19'8"
A Max. reach at ground level	m/ft in	16.05/52'8"
B Max. digging depth	m/ft in	11.05/36'3"
D Max. dumping height	m/ft in	11.57/38'
E Max. cutting height	m/ft in	14.79/48'6"

Forces

Stick digging force (ISO 6015)	kN/lbf	129/29,000
Bucket digging force (ISO 6015)	kN/lbf	235/52,830
Stick digging force (SAE J1179)	kN/lbf	126/28,330
Bucket digging force (SAE J1179)	kN/lbf	210/47,210

Operating weight and ground pressure

The operating weight includes the basic machine with counterweight 12.5 t/27,560 lb, mono boom 9.00 m/29'6", stick 6.00 m/19'8" and bucket 1.50 m³/1.96 yd³ (1,370 kg/3,020 lb).

Undercarriage	LC			
Pad width	mm/in	600/24"	750/30"	900/35"
Weight	kg/lb	54,800/120,810	56,050/123,570	56,900/125,440
Ground pressure	kg/cm²	0.97/13.8	0.79/11.2	0.67/9.5
Undercarriage	LC-V			
Pad width	mm/in	600/24"	750/30"	900/35"
Weight	kg/lb	59,550/131,290	60,350/133,050	61,050/134,590
Ground pressure	kg/cm²	1.04/14.8	0.84/11.9	0.71/10.1

Stick 6.00 m / 19'8"

Under-carriage	3.0 m 10 ft		4.5 m 15 ft		6.0 m 20 ft		7.5 m 25 ft		9.0 m 30 ft		10.5 m 35 ft		12.0 m 40 ft		13.5 m 45 ft		m ft in		
	t	lb	t	lb	t	lb	t	lb	t	lb	t	lb	t	lb	t	lb	m	ft in	
12.0 m											3.0*	3.0*					2.8*	2.8*	10.6
40 ft																	6.2*	6.2*	34'1"
10.5 m											4.9*	4.9*					2.6*	2.6*	11.8
35 ft											10.0*	10.0*					5.8*	5.8*	38'5"
9.0 m											5.9*	5.9*	4.2*	4.2*			2.5*	2.5*	12.8
30 ft											12.5*	12.5*	8.3*	8.3*			5.6*	5.6*	41'8"
7.5 m									7.3*	7.3*	6.7*	6.7*	5.5*	5.5*			2.5*	2.5*	13.5
25 ft									15.8*	15.8*	14.5*	14.5*	11.3*	11.3*			5.6*	5.6*	44'1"
6.0 m									7.9*	7.9*	7.1*	7.1*	6.4	6.5*	4.0*	4.0*	2.6*	2.6*	14.0
20 ft									17.1*	17.1*	15.4*	15.4*	13.7*	13.7*	7.3*	7.3*	5.6*	5.6*	45'10"
4.5 m	23.7*	23.7*	16.9*	16.9*	12.4*	12.4*	10.0*	10.0*	8.5*	8.5*	7.5*	7.5*	6.2	6.7*	5.0*	5.0*	2.6*	2.6*	14.3
15 ft	59.6*	59.6*	36.2*	36.2*	26.8*	26.8*	21.7*	21.7*	18.5*	18.5*	16.3*	16.3*	13.3	14.7*	9.8*	9.8*	5.8*	5.8*	46'11"
3.0 m									9.2*	9.2*	7.3	7.9*	5.9	7.0*	4.9	5.8*	2.8*	2.8*	14.5
10 ft									20.0*	20.0*	15.8	17.2*	12.8	15.2*	10.4	11.5*	6.1*	6.1*	47'6"
1.5 m									8.7	9.8*	7.0	8.3*	5.7	7.2*	4.7	6.4*	3.0*	3.0*	14.5
5 ft									17.1*	17.1*	15.4*	15.4*	12.2	15.7*	10.1	12.6*	6.5*	6.5*	47'6"
0 m									8.2	10.2*	6.7	8.6*	5.5	7.4*	4.6	6.4*	3.2*	3.2*	14.3
0 ft									14.3	18.6*	11.8	16.0*	9.8	12.7*	7.1*	7.1*	4.7*	4.7*	14.0
-1.5 m									8.7	10.4*	6.4	8.7*	5.3	7.4*	4.5	6.0*	3.6*	3.6*	14.0
-5 ft									17.1*	22.4*	13.8	18.7*	11.5	15.9*	9.6	10.8*	7.9*	7.9*	45'10"
-3.0 m									7.7	12.5*	6.3	8.5*	5.2	7.2*	4.1*	4.1*	4.1*	4.1*	13.5
-10 ft									16.7	22.1*	13.5	18.4*	11.3	15.4*	9.1*	9.1*	4.1*	4.1*	44'1"
-4.5 m									7.7	9.7*	6.2	8.0*	5.2	6.6*	4.8	4.9*	4.8	4.9*	12.8
-15 ft									10.0	10.6*	7.8	8.7*	6.3	7.1*	5.5	5.8*	5.5	5.8*	11.8
-6.0 m									8.8*	8.8*	7.2*	7.2*	5.5*	5.5*	4.7*	4.7*	4.7*	4.7*	10.5
-20 ft									15.1*	15.1*	13.7	15.2*	11.3	14.2*	12.2	12.8*	12.2	12.8*	38'6"
-7.5 m									7.3*	7.3*	6.0*	6.0*	4.7*	4.7*	4.7*	4.7*	4.7*	4.7*	10.5
-25 ft									15.2*	15.2*	12.3*	12.3*	10.0*	10.0*	10.0*	10.0*	10.0*	10.0*	34'2"
-9.0 m									15.2*	15.2*	12.3*	12.3*	10.0*	10.0*	10.0*	10.0*	10.0*	10.0*	28'4"
-30 ft																			

R 956

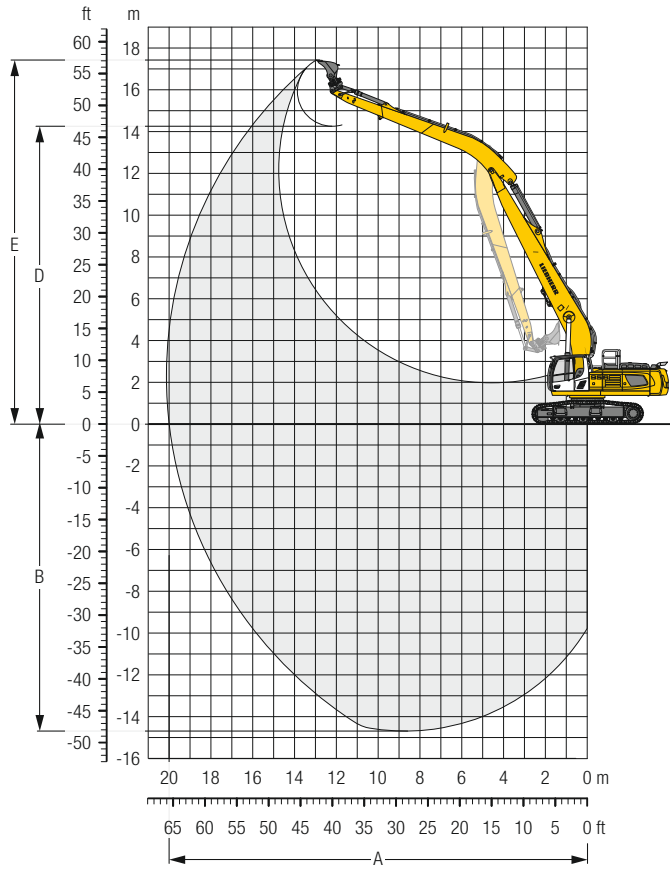
Height
 Can be swerved through 360°
 In longitudinal position of undercarriage
 Max. reach
 * Limited by hydr. capacity

The load values are quoted in tons (t) / lb x 1,000 at stick end (without bucket), and may be swung 360° on firm and even ground. Adjacent values are valid for the undercarriage when in the longitudinal position. Capacities are valid for 750 mm / 30" wide track pads. Indicated loads are based on ISO 10567 standard and do not exceed 75% of tipping or 87% of hydraulic capacity (indicated via *). Without bucket cylinder, link and lever the lift capacities will increase by 620 kg / 1,370 lb. Lifting capacity of the excavator is limited by machine stability and hydraulic capacity.

Determine maximum load lift from load lift chart displayed in the operator's cab or from load lift chart detailed in the operator's manual supplied with the machine.

Multi-User equipment with mono boom 10.70 m/35'1"

R 956



Digging envelope

Stick length	m/ft in	8.50/27'11"
A Max. reach at ground level	m/ft in	20.00/65' 7"
B Max. digging depth	m/ft in	14.69/48' 2"
D Max. dumping height	m/ft in	14.25/46' 9"
E Max. cutting height	m/ft in	17.42/57' 2"

Forces

Stick digging force (ISO 6015)	kN/lbf	98/22,030
Bucket digging force (ISO 6015)	kN/lbf	177/39,790
Stick digging force (SAE J1179)	kN/lbf	96/21,580
Bucket digging force (SAE J1179)	kN/lbf	155/34,850

Operating weight and ground pressure

The operating weight includes the basic machine with counterweight 12.5 t/27,560 lb, mono boom 10.70 m/35'1", stick 8.50 m/27'11" and bucket 1.25 m³/1.63 yd³ (1,000 kg/2,210 lb).

Undercarriage		LC		
Pad width	mm/in	600/24"	750/30"	900/35"
Weight	kg/lb	55,100/121,480	56,350/124,230	57,200/126,100
Ground pressure	kg/cm ²	0.97/13.8	0.79/11.2	0.67/9.5

Undercarriage		LC-V		
Pad width	mm/in	600/24"	750/30"	900/35"
Weight	kg/lb	59,850/131,950	60,650/133,710	61,350/135,250
Ground pressure	kg/cm ²	1.04/14.8	0.84/11.9	0.71/10.1

Stick 8.50 m / 27'11"

Under-carriage	3.0 m 10 ft		4.5 m 15 ft		6.0 m 20 ft		7.5 m 25 ft		9.0 m 30 ft		10.5 m 35 ft		12.0 m 40 ft		13.5 m 45 ft		15.0 m 50 ft		16.5 m 55 ft		18.0 m 60 ft		m ft in			
	t	lb	t	lb	t	lb	t	lb	t	lb	t	lb	t	lb	t	lb	t	lb	t	lb	t	lb	t	lb	m	ft in
15.0 m																								1.7*	1.7*	13.2
50 ft																								3.9*	3.9*	42'6"
13.5 m																								1.6*	1.6*	14.5
45 ft																								3.6*	3.6*	47'1"
12.0 m																								1.6*	1.6*	15.6
40 ft																								3.4*	3.4*	50'10"
10.5 m																								1.5*	1.5*	16.5
35 ft																								3.3*	3.3*	53'8"
9.0 m																								1.5*	1.5*	17.2
30 ft																								3.3*	3.3*	56'1"
7.5 m																								1.5*	1.5*	17.7
25 ft																								3.3*	3.3*	57'11"
6.0 m																								1.5*	1.5*	18.1
20 ft																								3.3*	3.3*	59'2"
4.5 m																								1.5*	1.5*	18.3
15 ft																								3.3*	3.3*	60'6"
3.0 m																								1.7*	1.7*	18.4
10 ft																								3.4*	3.4*	60'6"
1.5 m																								1.6*	1.6*	18.4
5 ft																								3.8*	3.8*	60'6"
0 m																								1.7*	1.7*	18.4
0 ft																								4.0*	4.0*	60'6"
-1.5 m																								2.0*	2.0*	18.1
-5 ft																								4.4*	4.4*	59'2"
-3.0 m																								2.2*	2.2*	17.7
-10 ft																								4.8*	4.8*	57'11"
-4.5 m																								2.4*	2.4*	17.1
-15 ft																								5.4*	5.4*	56'1"
-6.0 m																								2.8*	2.8*	16.4
-20 ft																								6.2*	6.2*	53'10"
-7.5 m																								3.1*	3.3*	15.6
-25 ft																								7.0*	7.4*	50'10"
-9.0 m																								3.6*	3.8*	14.5
-30 ft																								8.0*	8.4*	47'2"
-10.5 m																								3.6*	3.6*	13.1
-35 ft																								7.9*	7.9*	42'7"
-12.0 m																								3.2*	3.2*	11.4
-40 ft																								6.9*	6.9*	36'8"

R 956

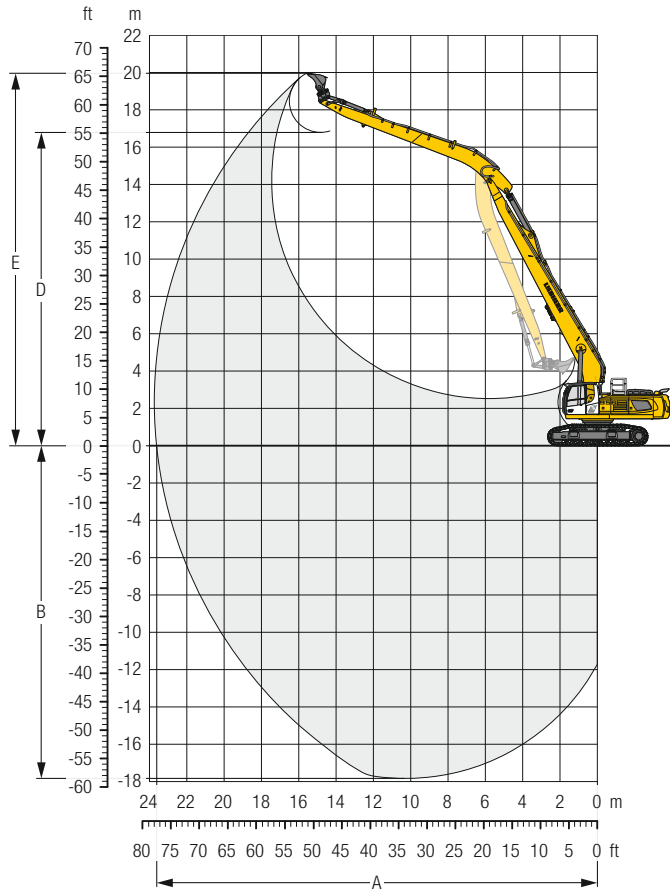
Height
 Can be swayed through 360°
 In longitudinal position of undercarriage
 Max. reach
 * Limited by hydr. capacity

The load values are quoted in tons (t) / lb x 1,000 at stick end (without bucket), and may be swung 360° on firm and even ground. Adjacent values are valid for the undercarriage when in the longitudinal position. Capacities are valid for 750 mm/30" wide track pads. Indicated loads are based on ISO 10567 standard and do not exceed 75% of tipping or 87% of hydraulic capacity (indicated via *). Without bucket cylinder, link and lever the lift capacities will increase by 400 kg/880 lb. Lifting capacity of the excavator is limited by machine stability and hydraulic capacity.

Determine maximum load lift from load lift chart displayed in the operator's cab or from load lift chart detailed in the operator's manual supplied with the machine.

Multi-User equipment with mono boom 13.00 m/42'8"

R 956



Digging envelope

Stick length	m/ft in	10.00/32'10"
A Max. reach at ground level	m/ft in	23.61/77' 6"
B Max. digging depth	m/ft in	17.91/58' 9"
D Max. dumping height	m/ft in	16.73/54'11"
E Max. cutting height	m/ft in	19.88/65' 3"

Forces

Stick digging force (ISO 6015)	kN/lbf	85/19,110
Bucket digging force (ISO 6015)	kN/lbf	177/39,790
Stick digging force (SAE J1179)	kN/lbf	83/18,660
Bucket digging force (SAE J1179)	kN/lbf	155/34,850

Operating weight and ground pressure

The operating weight includes the basic machine with counterweight 12.5 t/27,560 lb, mono boom 13.00 m/42'8", stick 10.00 m/32'10" and bucket 0.75 m³/0.98 yd³ (810 kg/1,790 lb).

Undercarriage		LC-VW		
Pad width	mm/in	600/24"	750/30"	900/35"
Weight	kg/lb	59,850/131,950	61,100/134,700	61,950/136,580
Ground pressure	kg/cm²	1.05/14.9	0.86/12.2	0.73/10.4

Stick 10.00 m/32'10"

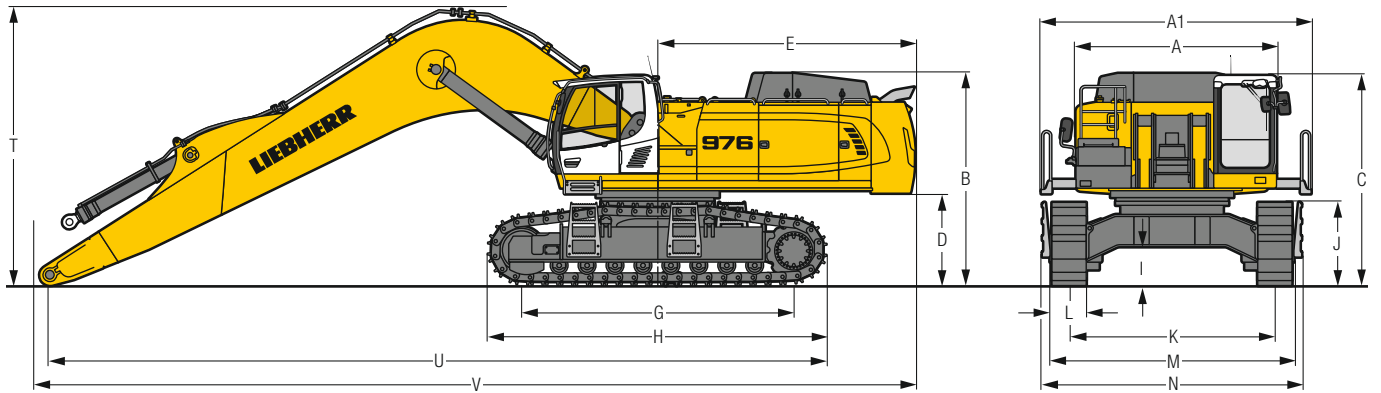
Under-carriage	3.0 m 10 ft		4.5 m 15 ft		6.0 m 20 ft		7.5 m 25 ft		9.0 m 30 ft		10.5 m 35 ft		12.0 m 40 ft		13.5 m 45 ft		15.0 m 50 ft		16.5 m 55 ft		18.0 m 60 ft		19.5 m 65 ft		21.0 m 70 ft		m ft in							
	t	lb	t	lb	t	lb	t	lb	t	lb	t	lb	t	lb	t	lb	t	lb	t	lb	t	lb	t	lb	t	lb	t	lb	t	lb				
18.0 m																													1.2*	1.2*	15.3			
60 ft																													2.7*	2.7*	49'4"			
16.5 m																				1.4*	1.4*										1.1*	1.1*	16.8	
55 ft																															2.5*	2.5*	54'4"	
15.0 m																					2.1*	2.1*										1.0*	1.0*	18.0
50 ft																					4.1*	4.1*										2.3*	2.3*	58'5"
13.5 m																					2.6*	2.6*										1.0*	1.0*	19.0
45 ft																					5.3*	5.3*										2.2*	2.2*	61'8"
12.0 m																					2.9*	2.9*										1.0*	1.0*	19.8
40 ft																					6.1*	6.1*										2.2*	2.2*	64'7"
10.5 m																					3.2*	3.2*										1.0*	1.0*	20.5
35 ft																					7.5*	7.5*										2.1*	2.1*	66'11"
9.0 m																					3.6*	3.6*										1.0*	1.0*	21.0
30 ft																					7.9*	7.9*										2.1*	2.1*	68'8"
7.5 m																					4.1*	4.1*										1.5*	1.5*	21.4
25 ft																					8.9*	8.9*										2.2*	2.2*	70'2"
6.0 m																					4.8*	4.8*										1.0*	1.0*	21.7
20 ft																					10.4*	10.4*										2.2*	2.2*	71'4"
4.5 m																					6.9*	6.9*										1.0*	1.0*	21.9
15 ft																					14.9*	14.9*										2.3*	2.3*	72'
3.0 m																					5.1*	5.1*										1.1*	1.1*	22.0
10 ft																					11.1*	11.1*										1.1*	1.1*	22.0
1.5 m																					9.9*	9.9*										2.4*	2.4*	72'4"
5 ft																					10.4*	10.4*										1.1*	1.1*	22.0
0 m																					9.3*	9.3*										2.5*	2.5*	72'4"
0 ft																					8.1*	8.1*										2.7*	2.7*	71'11"
-1.5 m																					8.1*	8.1*										1.3*	1.3*	21.7
-5 ft																					7.8*	7.8*										2.9*	2.9*	71'2"
-3.0 m																					8.3*	8.3*										1.5*	1.5*	21.4
-10 ft																					9.1*	9.1*										3.2*	3.2*	70'1"
-4.5 m																					7.9*	7.9*										1.6*	1.6*	20.9
-15 ft																					10.3*	10.3*										3.6*	3.6*	68'7"
-6.0 m																					8.8*	8.8*										1.8*	1.8*	20.4
-20 ft																					10.3*	10.3*										4.0*	4.0*	66'8"
-7.5 m																					8.9*	8.9*										2.1*	2.1*	19.7
-25 ft																					9.9*	9.9*										4.6*	4.6*	64'4"
-9.0 m																					10.2*	10.2*										2.4*	2.4*	18.8
-30 ft																					8.4*	8.4*										5.4*	5.4*	61'6"
-10.5 m																					8.4*	8.4*										2.7*	2.7*	17.8
-35 ft																					10.2*	10.2*										6.1*	6.3*	58'
-12.0 m																					8.6*	8.6*										2.8*	2.8*	16.6
-40 ft																					10.3*	10.3*										6.1*	6.1*	53'11"
-13.5 m																					8.7*	8.7*										2.6*	2.6*	15.1
-45 ft																					9.9*	9.9*										5.6*	5.6*	48'10"
-15.0 m																					7.3*	7.3*										2.2*	2.2*	13.3
-50 ft																					6.9*	6.9*										4.8*	4.8*	42'7"

Height
 Can be swayed through 360°
 In longitudinal position of undercarriage
 Max. reach
 * Limited by hydr. capacity

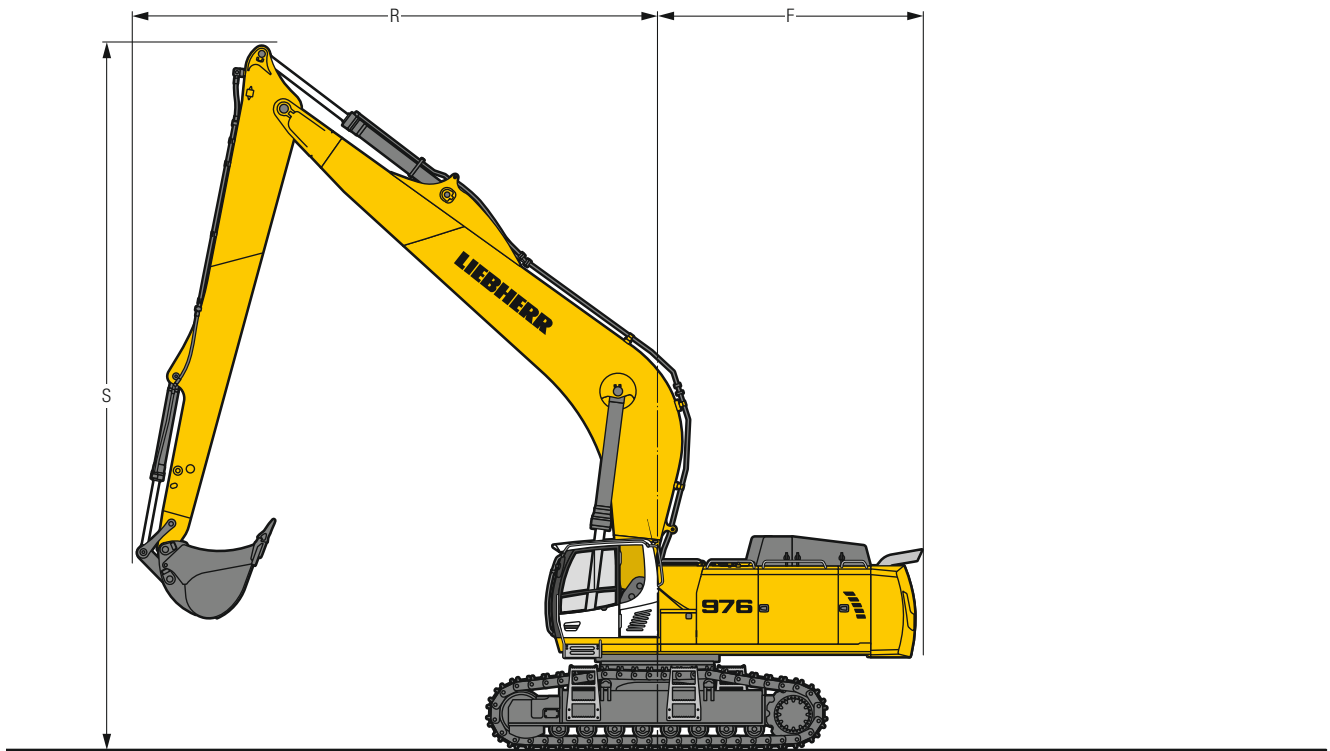
The load values are quoted in tons (t)/lb x 1,000 at stick end (without bucket), and may be swung 360° on firm and even ground. Adjacent values are valid for the undercarriage when in the longitudinal position. Capacities are valid for 750 mm/30" wide track pads. Indicated loads are based on ISO 10567 standard and do not exceed 75% of tipping or 87% of hydraulic capacity (indicated via *). Without bucket cylinder, link and lever the lift capacities will increase by 400 kg/880 lb. Lifting capacity of the excavator is limited by machine stability and hydraulic capacity.

Determine maximum load lift from load lift chart displayed in the operator's cab or from load lift chart detailed in the operator's manual supplied with the machine.

Dimensions



R 976

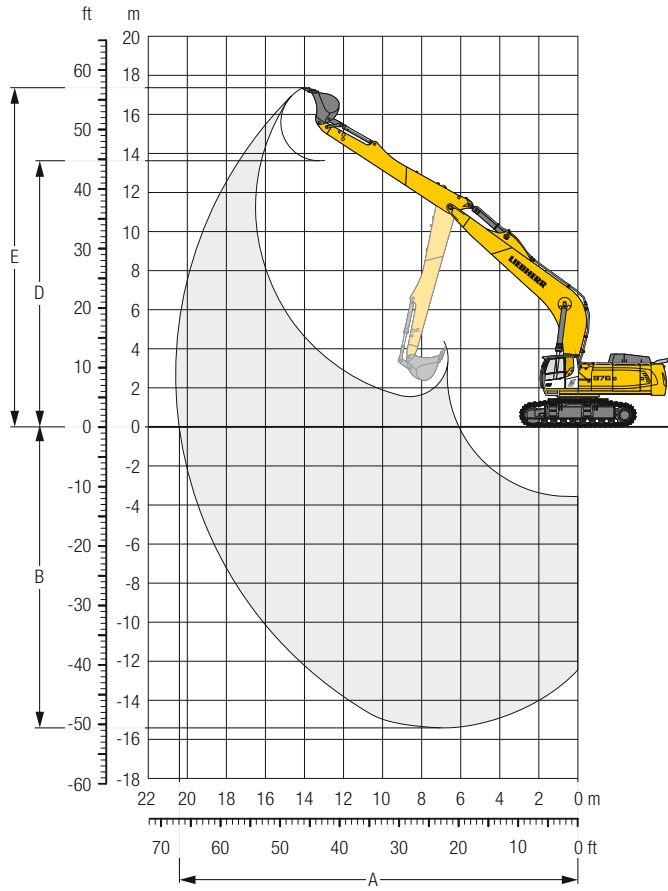


	HD	mm/ft in			LC-V	mm/ft in		
A	Uppercarriage width	3,565/11' 8"				3,565/11' 8"		
A1	Uppercarriage width with catwalks	4,730/15' 6"				4,730/15' 6"		
B	Uppercarriage height	3,725/12' 3"				3,865/12' 8"		
C	Cab height	3,695/12' 1"				3,835/12' 7"		
D	Counterweight ground clearance	1,620/ 5' 4"				1,755/ 5' 9"		
E	Rear-end length	4,640/15' 3"				4,640/15' 3"		
F	Tail swing radius	4,640/15' 3"				4,640/15' 3"		
G	Wheelbase	4,770/15' 8"				5,160/16'11"		
H	Undercarriage length	5,955/19' 6"				6,335/20' 9"		
I	Undercarriage ground clearance	682/ 2' 3"				955/ 3' 2"		
J	Track height	1,460/ 4' 9"				1,495/ 4'11"		
K	Track gauge	3,600/11'10"				2,750/3,590*/ 9'/11' 9"*		
L	Track pad width	600/ 24"	750/ 30"	900/ 35"		600 / 24"	750 / 30"	900 / 35"
M	Width over tracks	4,290/14' 1"	4,350/14' 3"	4,600/15' 1"		2,650/3,490*/8' 8"/11' 5"*	2,660/3,500*/8' 9"/11' 6"*	2,810/3,650*/9' 3"/12'*
N	Width over steps	4,540/14'11"	4,540/14'11"	4,640/15' 3"		3,030/3,870*/9'11"/12' 8"*	3,030/3,870*/9'11"/12' 8"*	3,030/3,870*/9'11"/12' 8"*

* work position

	Stick length m/ft in	Mono boom 10.50 m/34'5" Direct mounting mm/ft in	Mono boom 12.00 m/39'4" Direct mounting mm/ft in
R	Front swing radius	8.00/26'3" 9.50/31'2"	9,200/30'2" – 11,100/36'5"
S	Height with boom up	8.00/26'3" 9.50/31'2"	12,400/40'8"/12,550/41'2" – 13,200/43'4"/13,350/43'10"
T	Boom height	8.00/26'3" 9.50/31'2"	4,900/16'1" – 4,950/16'3"
U	Length on ground	8.00/26'3" 9.50/31'2"	13,650/44'9" – 15,050/49'5"
V	Overall length	8.00/26'3" 9.50/31'2"	15,450/50'8" – 16,950/55'7"
	Bucket	1.65 m ³ /2.16 yd ³	1.25 m ³ /1.63 yd ³

Multi-User equipment with mono boom 10.50 m/34'5"



R 976

Digging envelope

Stick length	m/ft in	8.00/26' 3"
A Max. reach at ground level	m/ft in	20.42/67'
B Max. digging depth	m/ft in	15.41/50' 7"
D Max. dumping height	m/ft in	13.62/44' 8"
E Max. cutting height	m/ft in	17.33/56'10"

Forces

Stick digging force (ISO 6015)	kN/lbf	196/44,060
Bucket digging force (ISO 6015)	kN/lbf	316/71,040
Stick digging force (SAE J1179)	kN/lbf	191/42,940
Bucket digging force (SAE J1179)	kN/lbf	273/61,370

Operating weight and ground pressure

The operating weight includes the basic machine with counterweight 16.0t/35,270 lb, mono boom 10.50 m/34'5", stick 8.00 m/26'3" and bucket 1.65 m³/2.16 yd³ (2,100 kg/4,630 lb).

Undercarriage		HD		
Pad width	mm/in	600/24"	750/30"	900/35"
Weight	kg/lb	89,550/197,420	90,650/199,850	91,750/202,270
Ground pressure	kg/cm²	1.44/20.5	1.16/16.5	0.98/13.9

Undercarriage		LC-V		
Pad width	mm/in	600/24"	750/30"	900/35"
Weight	kg/lb	94,950/209,330	96,100/211,860	97,350/214,620
Ground pressure	kg/cm²	1.42/20.2	1.15/16.4	0.97/13.8

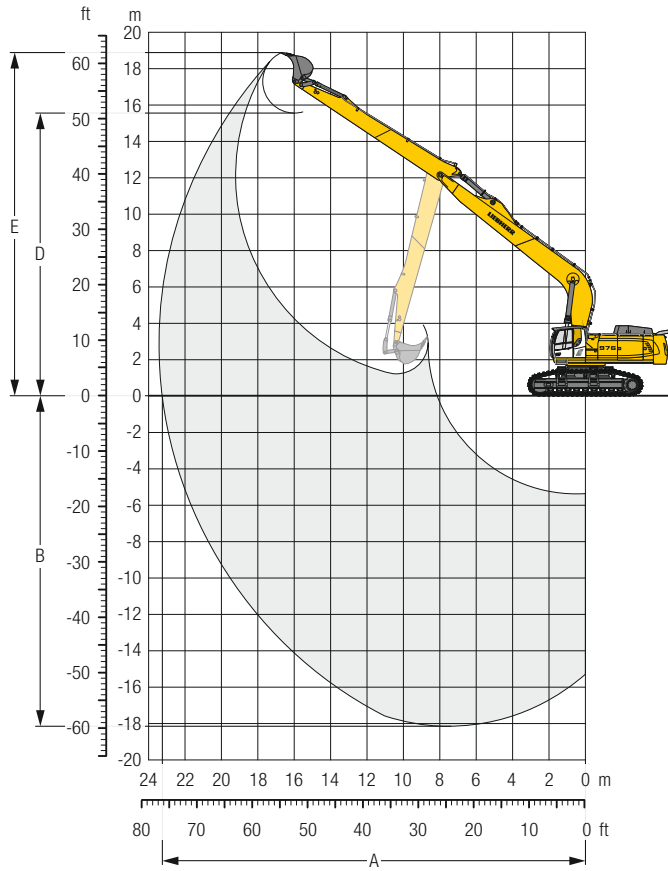
Stick 8.00 m / 26'3"

Under-carriage	3.0 m 10 ft		4.5 m 15 ft		6.0 m 20 ft		7.5 m 25 ft		9.0 m 30 ft		10.5 m 35 ft		12.0 m 40 ft		13.5 m 45 ft		15.0 m 50 ft		16.5 m 55 ft		18.0 m 60 ft		m ft in						
	t	lb	t	lb	t	lb	t	lb	t	lb	t	lb	t	lb	t	lb	t	lb	t	lb	t	lb	t	lb					
15.0 m t																							6.9*	6.9*	13.9				
50 ft lb																								15.4*	15.4*	44*10			
13.5 m t																		6.8*	6.8*					6.4*	6.4*	15.1			
45 ft lb																								14.2*	14.2*	49'			
12.0 m t																		6.9*	6.9*					6.0*	6.0*	16.1			
40 ft lb																		15.5*	15.5*					13.4*	13.4*	52'6"			
10.5 m t																		6.9*	6.9*	7.1*	7.1*			5.8*	5.8*	16.9			
35 ft lb																		15.2*	15.2*	13.4*	13.4*			12.8*	12.8*	55'2"			
9.0 m t																		7.0*	7.0*	7.1*	7.1*			5.6*	5.6*	17.5			
30 ft lb																		15.3*	15.3*	15.7*	15.7*			12.5*	12.5*	57'5"			
7.5 m t																		7.2*	7.2*	7.2*	7.2*	5.6*	5.6*	5.6*	5.6*	18.0			
25 ft lb																	16.1*	16.1*	15.9*	15.8*	15.8*			12.2*	12.2*	59'			
6.0 m t																		7.9*	7.9*	7.6*	7.6*	7.4*	7.4*	5.9	7.0*	18.4			
20 ft lb																		17.2*	17.2*	16.6*	16.6*	15.7*	16.2*	12.5	12.8*	12.2	60'2"		
4.5 m t													9.2*	9.2*				8.5*	8.5*	8.0*	8.0*	7.1	7.7*	5.8	7.5*	5.5*	18.6		
15 ft lb													19.9*	19.9*	18.5*	18.5*	17.5*	17.5*	15.2	16.8*	12.3	15.1*	11.8	12.2*	60'11"				
3.0 m t													13.1*	13.1*	11.3*	11.3*							8.2	8.5*	5.1	5.6*	18.7		
10 ft lb													28.3*	28.3*	24.4*	24.4*	21.8*	21.8*	19.9*	19.9*	17.7*	18.5*	14.6	17.5*	11.4	12.4*	61'2"		
1.5 m t													14.8*	14.8*	12.5*	12.5*	10.9*	10.9*	9.4	9.8*	7.9	9.0*	6.6	8.4*	5.5	7.5	5.1	5.8*	18.6
5 ft lb													32.0*	32.0*	27.1*	27.1*	23.7*	23.7*	20.3	21.3*	16.8	19.5*	14.0	18.3*	11.6	16.0	11.1	12.7*	61'1"
0 m t													16.3	16.3*	13.1	13.6*	10.7	11.8*	8.9	10.4*	7.5	9.4*	6.3	8.6	5.3	7.3	5.0	6.0*	18.5
0 ft lb													35.1	35.3*	28.2	29.5*	23.1	25.5*	19.2	22.6*	16.1	20.5*	13.5	18.4	11.3	15.6*	11.1	13.1*	60'7"
-1.5 m t													15.3	17.5*	12.3	14.5*	10.2	12.5*	8.5	11.0*	7.2	9.8*	6.1	8.4	5.2	7.2	5.1	6.2*	18.2
-5 ft lb													32.9	37.9*	26.6	31.5*	21.9	27.0*	18.3	23.8*	15.4	21.0	13.9	17.9	11.3	13.7*	59'7"		
-3.0 m t													18.8	22.9*	14.6	18.3*	11.8	15.2*	9.7	13.0*	8.2	11.1	6.9	9.5	5.9	8.2	5.3	6.6*	17.8
-10 ft lb													40.4	49.6*	31.4	39.7*	25.3	33.0*	20.9	28.2*	17.5	24.0	14.9	20.4	11.6	14.5*	58'2"		
-4.5 m t													18.3	23.4*	14.1	18.8*	11.4	15.6	9.4	12.9*	7.9	10.9	6.8	9.3	5.9	8.1	5.5	7.1*	17.2
-15 ft lb													39.4*	39.4*	39.4	50.6*	30.4	40.7*	24.5	33.7	20.3	27.8	17.1	23.5	14.5	20.1	12.3	15.6*	56'4"
-6.0 m t													18.1	23.3*	13.9	18.9*	11.2	15.4	9.3	12.7*	7.8	10.8	6.7	9.3	6.0	7.7*	16.5		
-20 ft lb													39.0	50.5*	30.0	40.9*	24.1	33.2	19.9	27.5	16.8	23.2	14.5	20.0	13.2	17.1*	53'10"		
-7.5 m t													18.2	22.8*	13.9	18.6*	11.2	15.4	9.2	12.7*	7.8	10.8	6.8	9.4	6.6	8.6*	15.6		
-25 ft lb													39.3	49.2*	30.0	40.2*	24.1	33.2	20.0	27.5	17.0	23.4	14.9	20.4*	14.7	19.1*	50'10"		
-9.0 m t													18.5	21.6*	14.1	17.8*	11.3	14.9*	9.4	12.6*	8.1	10.5*			7.6	9.0*	14.4		
-30 ft lb													46.3*	46.3*	58.5*	56.7	58.5*	40.0	46.6*	30.5	38.3*	24.5	32.0*	9.4	26.9*	16.9	19.8*	46'11"	
-10.5 m t													16.5	20.6*	13.1	16.6*	11.7	13.5*	9.9	11.0*					9.0*	9.0*	13.0		
-35 ft lb													60.7*	60.7*	68.6*	68.6*	52.6*	52.6*	41.3	42.2*	31.6	34.6*	25.5	28.6*	19.8*	19.8*	42'1"		
-12.0 m t													16.6*	16.6*	13.5*	13.5*	10.5*	10.5*							8.7*	8.7*	11.2		
-40 ft lb													78.2*	78.2*	55.7*	55.7*	43.4*	43.4*	34.9*	34.9*	27.9*	27.9*			19.1*	19.1*	36'		

Height
 Can be stewed through 360°
 In longitudinal position of undercarriage
 Max. reach
 * Limited by hydr. capacity

The load values are quoted in tons (t) / lb x 1,000 at stick end (without bucket), and may be swung 360° on firm and even ground. Adjacent values are valid for the undercarriage when in the longitudinal position. Capacities are valid for 750 mm/30" wide track pads. Indicated loads are based on ISO 10567 standard and do not exceed 75% of tipping or 87% of hydraulic capacity (indicated via *). Without bucket cylinder, link and lever the lift capacities will increase by 825 kg / 1,820 lb. Lifting capacity of the excavator is limited by machine stability and hydraulic capacity. Determine maximum load lift from load lift chart displayed in the operator's cab or from load lift chart detailed in the operator's manual supplied with the machine.

Multi-User equipment with mono boom 12.00 m/39'4"



R 976

Digging envelope

Stick length	m/ft in	9.50/31' 2"
A Max. reach at ground level	m/ft in	23.25/76' 3"
B Max. digging depth	m/ft in	18.15/59' 7"
D Max. dumping height	m/ft in	15.56/51' 1"
E Max. cutting height	m/ft in	18.88/61'11"

Forces

Stick digging force (ISO 6015)	kN/lbf	170/38,220
Bucket digging force (ISO 6015)	kN/lbf	233/52,380
Stick digging force (SAE J1179)	kN/lbf	168/37,770
Bucket digging force (SAE J1179)	kN/lbf	208/46,760

Operating weight and ground pressure

The operating weight includes the basic machine with counterweight 16.0 t/35,270 lb, mono boom 12.00 m/39'4", stick 9.50 m/31'2" and bucket 1.25 m³/1.63 yd³ (1,280 kg/2,820 lb).

Undercarriage	HD			
Pad width	mm/in	600/24"	750/30"	900/35"
Weight	kg/lb	90,000/198,420	91,100/200,840	92,200/203,270
Ground pressure	kg/cm²	1.45/20.6	1.17/16.6	0.99/14.1
Undercarriage	LC-V			
Pad width	mm/in	600/24"	750/30"	900/35"
Weight	kg/lb	95,400/210,320	96,550/212,860	97,800/215,610
Ground pressure	kg/cm²	1.43/20.3	1.16/16.5	0.98/13.9

Stick 9.50 m / 31'2"

Under-carriage	Height	3.0 m 10 ft		4.5 m 15 ft		6.0 m 20 ft		7.5 m 25 ft		9.0 m 30 ft		10.5 m 35 ft		12.0 m 40 ft		13.5 m 45 ft		15.0 m 50 ft		16.5 m 55 ft		18.0 m 60 ft		19.5 m 65 ft		21.0 m 70 ft		m ft in					
		Can be slewed through 360°	In longitudinal position of undercarriage	Can be slewed through 360°	In longitudinal position of undercarriage	Can be slewed through 360°	In longitudinal position of undercarriage	Can be slewed through 360°	In longitudinal position of undercarriage	Can be slewed through 360°	In longitudinal position of undercarriage	Can be slewed through 360°	In longitudinal position of undercarriage	Can be slewed through 360°	In longitudinal position of undercarriage	Can be slewed through 360°	In longitudinal position of undercarriage	Can be slewed through 360°	In longitudinal position of undercarriage	Can be slewed through 360°	In longitudinal position of undercarriage	Can be slewed through 360°	In longitudinal position of undercarriage	Can be slewed through 360°	In longitudinal position of undercarriage	Can be slewed through 360°	In longitudinal position of undercarriage	Can be slewed through 360°	In longitudinal position of undercarriage	Can be slewed through 360°	In longitudinal position of undercarriage		
16.5 m t	55 ft lb																				4.9*	4.9*								5.0*	5.0*	16.6	
15.0 m t	50 ft lb																														4.9*	4.9*	17.7
13.5 m t	45 ft lb																							4.6*	4.6*						4.8*	4.8*	18.7
12.0 m t	40 ft lb																							10.4*	10.4*						4.7*	4.7*	19.5
10.5 m t	35 ft lb																							4.4*	4.4*		4.8*	4.8*			4.5*	4.5*	20.2
9.0 m t	30 ft lb																							9.9*	9.9*						4.6*	4.6*	20.7
7.5 m t	25 ft lb																							10.0*	10.0*		10.3*	10.3*			4.2	4.4*	21.1
6.0 m t	20 ft lb																							10.5*	10.5*		10.4*	10.4*		4.0	4.9*	21.4	
4.5 m t	15 ft lb																							11.1*	11.1*		10.8*	10.8*		8.2	10.3*	21.6	
3.0 m t	10 ft lb																							12.5*	12.5*		11.8*	11.8*		8.0	11.2*	21.7	
1.5 m t	5 ft lb																							11.8*	11.8*		11.4*	11.4*		7.7	9.7*	21.5	
0 m t	0 ft lb																							11.8*	11.8*		11.4*	11.4*		7.7	9.7*	21.5	
-0.5 m t	-1 ft lb																							11.8*	11.8*		11.4*	11.4*		7.7	9.7*	21.5	
-1.5 m t	-5 ft lb																							11.8*	11.8*		11.4*	11.4*		7.7	9.7*	21.5	
-3.0 m t	-10 ft lb																							11.8*	11.8*		11.4*	11.4*		7.7	9.7*	21.5	
-4.5 m t	-15 ft lb																							11.8*	11.8*		11.4*	11.4*		7.7	9.7*	21.5	
-6.0 m t	-20 ft lb																							11.8*	11.8*		11.4*	11.4*		7.7	9.7*	21.5	
-7.5 m t	-25 ft lb																							11.8*	11.8*		11.4*	11.4*		7.7	9.7*	21.5	
-9.0 m t	-30 ft lb																							11.8*	11.8*		11.4*	11.4*		7.7	9.7*	21.5	
-10.5 m t	-35 ft lb																							11.8*	11.8*		11.4*	11.4*		7.7	9.7*	21.5	
-12.0 m t	-40 ft lb																							11.8*	11.8*		11.4*	11.4*		7.7	9.7*	21.5	
-13.5 m t	-45 ft lb																							11.8*	11.8*		11.4*	11.4*		7.7	9.7*	21.5	
-15.0 m t	-50 ft lb																							11.8*	11.8*		11.4*	11.4*		7.7	9.7*	21.5	
-16.5 m t	-55 ft lb																							11.8*	11.8*		11.4*	11.4*		7.7	9.7*	21.5	

Height
 Can be slewed through 360°
 In longitudinal position of undercarriage
 Max. reach
 * Limited by hydr. capacity

The load values are quoted in tons (t) / lb x 1,000 at stick end (without bucket), and may be swung 360° on firm and even ground. Adjacent values are valid for the undercarriage when in the longitudinal position. Capacities are valid for 750 mm / 30" wide track pads. Indicated loads are based on ISO 10567 standard and do not exceed 75% of tipping or 87% of hydraulic capacity (indicated via *). Without bucket cylinder, link and lever the lift capacities will increase by 620 kg / 1,370 lb. Lifting capacity of the excavator is limited by machine stability and hydraulic capacity.

Determine maximum load lift from load lift chart displayed in the operator's cab or from load lift chart detailed in the operator's manual supplied with the machine.

Multi-User equipment

with mono boom 12.00 m/39'4"

Stick 9.50 m / 31'2"

Under-carriage	Height	3.0 m 10 ft		4.5 m 15 ft		6.0 m 20 ft		7.5 m 25 ft		9.0 m 30 ft		10.5 m 35 ft		12.0 m 40 ft		13.5 m 45 ft		15.0 m 50 ft		16.5 m 55 ft		18.0 m 60 ft		19.5 m 65 ft		21.0 m 70 ft		m ft in									
		t	lb	t	lb	t	lb	t	lb	t	lb	t	lb	t	lb	t	lb	t	lb	t	lb	t	lb	t	lb	t	lb	t	lb								
16.5 m	t																				4.9*	4.9*							5.0*	5.0*	16.6						
55 ft	lb																												11.0*	11.0*	53'7"						
15.0 m	t																												4.9*	4.9*	17.7						
50 ft	lb																												10.8*	10.8*	57'7"						
13.5 m	t																							4.6*	4.6*				4.8*	4.8*	18.7						
45 ft	lb																							10.3*	10.3*				10.7*	10.7*	61'						
12.0 m	t																							4.4*	4.4*				4.7*	4.7*	19.5						
40 ft	lb																							9.9*	9.9*				10.3*	10.3*	63'8"						
10.5 m	t																							4.5*	4.5*				4.5*	4.5*	20.2						
35 ft	lb																							9.9*	9.9*	10.4*	10.4*		10.0*	10.0*	66'						
9.0 m	t																							4.6*	4.6*				4.4*	4.4*	20.7						
30 ft	lb																							10.1*	10.1*	10.3*	10.3*		9.8*	9.8*	67'10"						
7.5 m	t																							4.8*	4.8*				4.2	4.4*	21.1						
25 ft	lb																							10.5*	10.5*				9.3	9.7*	69'2"						
6.0 m	t																							5.1*	5.1*				4.3	5.0*	21.4						
20 ft	lb																							11.1*	11.1*	10.9*	10.9*		8.9	10.5*	8.8	9.6*	70'2"				
4.5 m	t																							5.2*	5.2*				4.2	5.1*	3.8	4.4*	21.6				
15 ft	lb																							11.4*	11.4*	10.9	11.2*		8.8	11.2*	8.4	9.7*	70'10"				
3.0 m	t												8.6*	8.6*										5.5*	5.5*				3.7	4.4*	21.7						
10 ft	lb												18.7*	18.7*	16.4*	16.4*								12.5*	12.5*	11.9*	11.9*		8.1	11.5*	8.1	9.8*	71'1"				
1.5 m	t												9.8*	9.8*	8.4*	8.4*								5.6*	5.6*				3.6	4.5*	21.6						
5 ft	lb												21.1*	21.1*	18.2*	18.2*								14.7*	14.7*	13.5*	13.5*		7.9	10.0*	7.1*						
0 m	t												10.8*	10.8*	9.2*	9.2*								6.3*	6.3*				3.6	4.6*	21.5						
0 ft	lb												23.3*	23.3*	19.9*	19.9*								17.5*	17.5*	15.7*	15.7*		7.8	10.2*	70'7"						
-1.5 m	t												11.7*	11.7*	9.8*	9.8*								7.0*	7.0*				3.7	5.0*	20.9						
-5 ft	lb												25.4*	25.4*	21.2*	21.2*								17.8*	17.8*	15.0*	16.7*		7.9	10.6*	69'8"						
-3.0 m	t												13.7	15.2*										6.6*	8.1*	5.6*	7.3*		4.2	6.2*							
-10 ft	lb												29.4	33.0*	23.9	27.0*								14.2	17.6*	12.1	15.9*		8.1	11.1*	68'6"						
-4.5 m	t												15.8*	15.8*	13.1	15.9*								6.3*	8.5*	5.4	7.6*		3.8	5.3*	20.4						
-15 ft	lb												36.2	36.5*	28.1	34.4*								13.6	18.4*	11.6	16.5*		8.4	11.7*	66'11"						
-6.0 m	t												16.5	18.5*	12.7	16.4*								6.1	8.8*	5.3	7.8*		4.0	5.6*	19.8						
-20 ft	lb												28.2*	28.2*	35.5	42.6*	27.4	35.4*	22.1	29.3*	18.3	24.8*	15.4	21.5*	13.2	19.0*	11.3	16.9*	9.9	15.3*		9.0	12.5*	64'11"			
-7.5 m	t												12.3*	12.3*	16.5	20.5*	12.6	16.6*	10.1	13.8*	8.3	11.7*	7.0	10.1*	6.0	8.9*	5.2	7.9*		4.4	6.1*	19.1					
-25 ft	lb												21.2*	21.2*	26.4*	35.3*	35.3*	35.4	44.4*	27.1	35.8*	21.7	29.8*	18.0	25.3*	15.2	21.9*	13.0	19.3*	11.3	17.1*	10.0	15.1*		9.7	13.5*	62'5"
-9.0 m	t												12.2*	12.2*	14.9*	14.9*	19.2*	19.2*	16.6	20.3*	12.6	16.5*	10.1	13.8*	8.3	11.7*	7.0	10.2*		4.8	6.6*	18.2					
-30 ft	lb												27.8*	27.8*	33.9*	33.9*	44.1*	44.1*	35.8	43.9*	27.3	35.7*	21.8	29.8*	18.0	25.3*	15.2	21.9*	13.1	19.1*	11.5	16.7*		10.8	14.5*	59'4"	
-10.5 m	t												15.6*	15.6*	18.8*	18.8*	24.1*	24.1*	17.0	19.7*	12.9	16.1*	10.3	13.5*	8.5	11.5*	7.2	9.9*		5.5	6.7*	17.1					
-35 ft	lb												35.5*	35.5*	43.0*	43.0*	52.4	53.8*	36.7	42.5*	27.8	34.8*	22.2	29.1*	18.3	24.8*	15.5	21.3*	13.5	18.4*	12.3	15.2*		12.3	14.9*	55'7"	
-12.0 m	t												19.7*	19.7*	23.8*	23.8*	23.4*	23.4*	17.6	18.7*	13.3	15.3*	10.6	12.9*	8.8	11.0*	7.5	9.3*		6.5	6.9*	15.8					
-40 ft	lb												45.1*	45.1*	54.7*	54.7*	50.3*	50.3*	38.1	40.1*	28.9	33.0*	23.0	27.6*	19.1	23.4*	16.4	19.8*	14.7	16.0*		14.6	15.2*	51'2"			
-13.5 m	t												25.1*	25.1*	27.8*	27.8*	21.2*	21.2*	17.0*	17.0*	14.0	14.0*	11.2	11.7*	9.4	9.8*	7.9*	7.9*		7.0*	7.0*	14.2					
-45 ft	lb												57.7*	57.7*	59.2*	59.2*	45.1*	45.1*	36.2*	36.2*	29.8*	29.8*	24.4	24.8*	20.5*	20.5*	15.6*	15.6*		15.4*	15.4*	45'8"					
-15.0 m	t												32.8*	32.8*	23.0*	23.0*	17.8*	17.8*	14.3*	14.3*	11.7*	11.7*	9.4*	9.4*						6.9*	6.9*	12.2					
-50 ft	lb												68.6*	68.6*	48.0*	48.0*	37.1*	37.1*	29.8*	29.8*	24.2*	24.2*	19.0*	19.0*						15.1*	15.1*	38'10"					
16.5 m	t																															8.3					
55 ft	lb																																				

Height Can be slewed through 360° In longitudinal position of undercarriage Max. reach * Limited by hydr. capacity

The load values are quoted in tons (t)/lb x 1,000 at stick end (without bucket), and may be swung 360° on firm and even ground. Adjacent values are valid for the undercarriage when in the longitudinal position. Capacities are valid for 750 mm/30" wide track pads. Indicated loads are based on ISO 10567 standard and do not exceed 75% of tipping or 87% of hydraulic capacity (indicated via *). Without bucket cylinder, link and lever the lift capacities will increase by 620 kg/1,370 lb. Lifting capacity of the excavator is limited by machine stability and hydraulic capacity.

Determine maximum load lift from load lift chart displayed in the operator's cab or from load lift chart detailed in the operator's manual supplied with the machine.

Notes

R 976

Available buckets

R 922 Mono boom 8.90 m/29'2", stick 6.30 m/20'8"		Ditch cleaning buckets type R 920 Compact G6 TL-03						Buckets type R 920 Compact G6 TL-03										
Cutting width	mm	1,500	2,000	2,000	2,000 ¹⁾	1,600 ¹⁾												
	in	59"	79"	79"	79" ¹⁾	63" ¹⁾												
Capacity	m ³	0.35	0.48	0.65	0.50	0.55												
	yd ³	0.46	0.63	0.85	0.65	0.72												
Weight	kg	275	350	390	650	640												
	lb	610	770	860	1,430	1,410												
Specific weight with LC-Undercarriage	t/m ³	2.0	1.8	1.2	1.2	1.2												
	lb/yd ³	3,400	3,000	2,000	2,000	2,000												

R 926 Mono boom 8.00 m/26'3", stick 5.30 m/17'5"		Ditch cleaning buckets type R 924 G8 TL-04						Buckets type R 924 G8 TL-04										
Cutting width	mm	1,500	2,000 ¹⁾	2,000	2,000 ¹⁾	2,400	2,400 ¹⁾											
	in	59"	79" ¹⁾	79"	79" ¹⁾	95"	95" ¹⁾											
Capacity	m ³	0.50	0.50	0.70	0.70	0.85	0.85											
	yd ³	0.65	0.65	0.92	0.92	1.11	1.11											
Weight	kg	430	690	510	820	590	890											
	lb	950	1,520	1,120	1,810	1,300	1,960											
Specific weight with NLC-Undercarriage	t/m ³	2.0	2.0	2.0	2.0	2.0	1.8											
	lb/yd ³	3,400	3,400	3,400	3,400	3,400	3,000											
Specific weight with LC-Undercarriage	t/m ³	2.0	2.0	2.0	2.0	2.0	2.0											
	lb/yd ³	3,400	3,400	3,400	3,400	3,400	3,400											

R 926 Mono boom 10.20 m/33'6", stick 7.90 m/25'11"		Ditch cleaning buckets type R 926 Compact G6 TL-03						Buckets type R 926 Compact G6 TL-03										
Cutting width	mm	1,500	2,000 ¹⁾	2,000	2,000 ¹⁾	2,400	2,400 ¹⁾											
	in	59"	79" ¹⁾	79"	79" ¹⁾	95"	95" ¹⁾											
Capacity	m ³	0.50	0.50	0.70	0.70	0.85	0.85											
	yd ³	0.65	0.65	0.92	0.92	1.11	1.11											
Weight	kg	395	675	500	790	590	870											
	lb	871	1,488	1,102	1,742	1,301	1,918											
Specific weight with NLC-Undercarriage	t/m ³	1.2	–	–	–	–	–											
	lb/yd ³	2,000	–	–	–	–	–											
Specific weight with LC-Undercarriage	t/m ³	1.8	1.2	–	–	–	–											
	lb/yd ³	3,000	2,000	–	–	–	–											

R 930 Mono boom 8.00 m/26'3", stick 5.30 m/17'5"		Ditch cleaning buckets type R 924/R 926 G8 TL-04						Buckets type R 924/R 926 G8 TL-04										
Cutting width	mm	1,500	2,000 ¹⁾	2,000	2,000 ¹⁾	2,400	2,400 ¹⁾											
	in	59"	79" ¹⁾	79"	79" ¹⁾	95"	95" ¹⁾											
Capacity	m ³	0.50	0.50	0.70	0.70	0.85	0.85											
	yd ³	0.65	0.65	0.92	0.92	1.11	1.11											
Weight	kg	430	690	510	820	590	890											
	lb	950	1,520	1,120	1,810	1,300	1,960											
Specific weight with NLC-Undercarriage	t/m ³	2.0	2.0	2.0	2.0	2.0	2.0											
	lb/yd ³	3,400	3,400	3,400	3,400	3,400	3,400											
Specific weight with LC-Undercarriage	t/m ³	2.0	2.0	2.0	2.0	2.0	2.0											
	lb/yd ³	3,400	3,400	3,400	3,400	3,400	3,400											
Specific weight with LC-V-Undercarriage	t/m ³	2.0	2.0	2.0	2.0	2.0	2.0											
	lb/yd ³	3,400	3,400	3,400	3,400	3,400	3,400											

R 930 Mono boom 10.20 m/33'6", stick 7.90 m/25'11"		Ditch cleaning buckets type R 926 Compact G6 TL-04						Buckets type R 926 Compact G6 TL-04										
Cutting width	mm	1,500	2,000 ¹⁾	2,000	2,000 ¹⁾	2,400	2,400 ¹⁾											
	in	59"	79" ¹⁾	79"	79" ¹⁾	95"	95" ¹⁾											
Capacity	m ³	0.50	0.50	0.70	0.70	0.85	0.85											
	yd ³	0.65	0.65	0.92	0.92	1.11	1.11											
Weight	kg	395	675	500	790	590	870											
	lb	870	1,490	1,100	1,740	1,300	1,920											
Specific weight with NLC-Undercarriage	t/m ³	1.65	1.2	–	–	–	–											
	lb/yd ³	2,800	2,000	–	–	–	–											
Specific weight with LC-Undercarriage	t/m ³	2.0	1.65	1.2	–	–	–											
	lb/yd ³	3,400	2,800	2,000	–	–	–											
Specific weight with LC-V-Undercarriage	t/m ³	2.0	2.0	1.8	1.5	1.5	1.2											
	lb/yd ³	3,400	3,400	3,000	2,500	2,500	2,000											

¹⁾ Ditch cleaning bucket 2 x 50° tiltable

R 938 Mono boom 8.70 m/28'7", stick 5.70 m/18'8"		Ditch cleaning buckets type R 930 G8 TL-05								Buckets type R 930 G8 TL-05							
Cutting width	mm	2,000	2,000	2,400 ¹⁾	2,400	2,000 ¹⁾	2,400 ¹⁾	2,000 ¹⁾	2,000 ¹⁾	1,050	1,250	1,400	1,550	1,650	1,550	1,650	1,750
	in	79"	79"	95" ¹⁾	95"	79" ¹⁾	79" ¹⁾	95" ¹⁾	79" ¹⁾	41"	49"	55"	61"	65"	61"	65"	69"
Capacity	m ³	0.70	0.85	0.85	1.15	1.20	1.45	1.45	1.65	1.00	1.25	1.45	1.60	1.75	1.85	2.00	2.15
	yd ³	0.92	1.11	1.11	1.50	1.57	1.90	1.90	2.16	1.31	1.63	1.90	2.09	2.29	2.42	2.62	2.81
Weight	kg	550	635	1,500	760	1,500	1,600	1,620	1,700	870	1,000	1,070	1,110	1,160	1,170	1,210	1,260
	lb	1,210	1,400	3,310	1,680	3,310	3,530	3,570	3,750	1,920	2,210	2,360	2,450	2,560	2,580	2,670	2,780
Specific weight with LC-Undercarriage	t/m ³	2.0	2.0	2.0	2.0	1.8	1.2	1.2	1.2	2.0	2.0	1.65	1.5	1.2	1.2	1.2	–
	lb/yd ³	3,400	3,400	3,400	3,400	3,000	2,000	2,000	2,000	3,400	3,400	2,800	2,500	2,000	2,000	2,000	–
Specific weight with WLC-Undercarriage	t/m ³	2.0	2.0	2.0	2.0	2.0	1.5	1.5	1.2	2.0	2.0	1.8	1.65	1.5	1.2	1.2	1.2
	lb/yd ³	3,400	3,400	3,400	3,400	3,400	2,500	2,500	2,000	3,400	3,400	3,000	2,800	2,500	2,000	2,000	2,000

R 938 Mono boom 10.70 m/35'1", stick 7.70 m/25'3"		Ditch cleaning buckets type R 924/ R 926 G8 TL-04								Buckets type R 924/ R 926 G8 TL-04							
Cutting width	mm	1,500	2,000 ¹⁾	2,000	2,000 ¹⁾	2,400	2,400 ¹⁾			650	850	1,050	1,250	1,250	1,400	1,400	1,500
	in	59"	79" ¹⁾	79"	79" ¹⁾	95"	95" ¹⁾			26"	34"	41"	49"	49"	55"	55"	59"
Capacity	m ³	0.50	0.50	0.70	0.70	0.85	0.85			0.55	0.75	0.95	1.15	1.25	1.35	1.50	1.65
	yd ³	0.65	0.65	0.92	0.92	1.11	1.11			0.72	0.98	1.24	1.50	1.63	1.77	1.96	2.16
Weight	kg	430	690	510	820	590	890			580	620	700	810	890	850	950	1,020
	lb	950	1,520	1,120	1,810	1,300	1,960			1,280	1,370	1,540	1,790	1,960	1,870	2,090	2,250
Specific weight with LC-Undercarriage	t/m ³	2.0	2.0	2.0	1.65	1.5	1.2			2.0	1.8	1.2	–	–	–	–	–
	lb/yd ³	3,400	3,400	3,400	2,800	2,500	2,000			3,400	3,000	2,000	–	–	–	–	–
Specific weight with WLC-Undercarriage	t/m ³	2.0	2.0	2.0	2.0	1.8	1.5			2.0	2.0	1.5	1.2	–	–	–	–
	lb/yd ³	3,400	3,400	3,400	3,400	3,000	2,500			3,400	3,400	2,500	2,000	–	–	–	–

R 938 Mono boom 10.70 m/35'1", stick 8.90 m/29'2"		Ditch cleaning buckets type R 924/ R 926 G8 TL-04								Buckets type R 924/ R 926 G8 TL-04							
Cutting width	mm	1,500	2,000 ¹⁾	2,000	2,000 ¹⁾	2,400	2,400 ¹⁾			650	850	1,050	1,250	1,250	1,400	1,400	1,500
	in	59"	79" ¹⁾	79"	79" ¹⁾	95"	95" ¹⁾			26"	34"	41"	49"	49"	55"	55"	59"
Capacity	m ³	0.50	0.50	0.70	0.70	0.85	0.85			0.55	0.75	0.95	1.15	1.25	1.35	1.50	1.65
	yd ³	0.65	0.65	0.92	0.92	1.11	1.11			0.72	0.98	1.24	1.50	1.63	1.77	1.96	2.16
Weight	kg	430	690	510	820	590	890			580	620	700	810	890	850	950	1,020
	lb	950	1,520	1,120	1,810	1,300	1,960			1,280	1,370	1,540	1,790	1,960	1,870	2,090	2,250
Specific weight with LC-Undercarriage	t/m ³	2.0	2.0	1.5	1.2	1.2	–			1.8	1.2	–	–	–	–	–	–
	lb/yd ³	3,400	3,400	2,500	2,000	2,000	–			3,000	2,000	–	–	–	–	–	–
Specific weight with WLC-Undercarriage	t/m ³	2.0	2.0	1.8	1.5	1.2	1.2			2.0	1.5	1.2	–	–	–	–	–
	lb/yd ³	3,400	3,400	3,000	2,500	2,000	2,000			3,400	2,500	2,000	–	–	–	–	–

R 945 Mono boom 8.70 m/28'7", stick 5.70 m/18'8"		Ditch cleaning buckets type R 930 G8 TL-05								Buckets type R 930 G8 TL-05							
Cutting width	mm	2,000	2,000	2,400 ¹⁾	2,400	2,000 ¹⁾	2,400 ¹⁾	2,400 ¹⁾	2,000 ¹⁾	1,050	1,250	1,400	1,550	1,650	1,550	1,650	1,750
	in	79"	79"	95" ¹⁾	95"	79" ¹⁾	79" ¹⁾	95" ¹⁾	79" ¹⁾	41"	49"	55"	61"	65"	61"	65"	69"
Capacity	m ³	0.70	0.85	0.85	1.15	1.20	1.45	1.45	1.65	1.00	1.25	1.45	1.60	1.75	1.85	2.00	2.15
	yd ³	0.92	1.11	1.11	1.50	1.57	1.90	1.90	2.16	1.31	1.63	1.90	2.09	2.29	2.42	2.62	2.81
Weight	kg	550	635	1,500	760	1,500	1,600	1,620	1,700	870	1,000	1,070	1,110	1,160	1,170	1,210	1,260
	lb	1,210	1,400	3,310	1,680	3,310	3,530	3,570	3,750	1,920	2,210	2,360	2,450	2,560	2,580	2,670	2,780
Specific weight with S-HD-Undercarriage	t/m ³	–	–	2.0	2.0	2.0	1.65	1.65	1.2	2.0	2.0	2.0	1.65	1.5	1.5	1.2	1.2
	lb/yd ³	–	–	3,400	3,400	3,400	2,800	2,800	2,000	3,400	3,400	3,400	2,800	2,500	2,500	2,000	2,000
Specific weight with LC-V-Undercarriage	t/m ³	–	–	2.0	2.0	2.0	1.65	1.65	1.2	2.0	2.0	2.0	1.65	1.5	1.5	1.2	1.2
	lb/yd ³	–	–	3,400	3,400	3,400	2,800	2,800	2,000	3,400	3,400	3,400	2,800	2,500	2,500	2,000	2,000

R 945 Mono boom 10.70 m/35'1", stick 7.70 m/25'3"		Ditch cleaning buckets type R 924/ R 926 G8 TL-04								Buckets type R 924/ R 926 G8 TL-04							
Cutting width	mm	1,500	2,000 ¹⁾	2,000	2,000 ¹⁾	2,400	2,400 ¹⁾			650	850	1,050	1,250	1,250	1,400	1,400	1,500
	in	59"	79" ¹⁾	79"	79" ¹⁾	95"	95" ¹⁾			26"	34"	41"	49"	49"	55"	55"	59"
Capacity	m ³	0.50	0.50	0.70	0.70	0.85	0.85			0.55	0.75	0.95	1.15	1.25	1.35	1.50	1.65
	yd ³	0.65	0.65	0.92	0.92	1.11	1.11			0.72	0.98	1.24	1.50	1.63	1.77	1.96	2.16
Weight	kg	430	690	510	820	590	890			580	620	700	810	890	850	950	1,020
	lb	950	1,520	1,120	1,810	1,300	1,960			1,280	1,370	1,540	1,790	1,960	1,870	2,090	2,250
Specific weight with S-HD-Undercarriage	t/m ³	2.0	2.0	2.0	2.0	2.0	2.0			2.0	2.0	1.8	1.5	1.2	1.2	–	–
	lb/yd ³	3,400	3,400	3,400	3,400	3,400	3,400			3,400	3,400	3,000	2,500	2,000	2,000	–	–
Specific weight with LC-V-Undercarriage	t/m ³	2.0	2.0	2.0	2.0	2.0	2.0			2.0	2.0	2.0	1.65	1.5	1.2	1.2	–
	lb/yd ³	3,400	3,400	3,400	3,400	3,400	3,400			3,400	3,400	3,400	2,800	2,500	2,000	2,000	–

R 945 Mono boom 10.70 m/35'1", stick 8.90 m/29'2"		Ditch cleaning buckets type R 924/ R 926 G8 TL-04								Buckets type R 924/ R 926 G8 TL-04							
Cutting width	mm	1,500	2,000 ¹⁾	2,000	2,000 ¹⁾	2,400	2,400 ¹⁾			650	850	1,050	1,250	1,250	1,400	1,400	1,500
	in	59"	79" ¹⁾	79"	79" ¹⁾	95"	95" ¹⁾			26"	34"	41"	49"	49"	55"	55"	59"
Capacity	m ³	0.50	0.50	0.70	0.70	0.85	0.85			0.55	0.75	0.95	1.15	1.25	1.35	1.50	1.65
	yd ³	0.65	0.65	0.92	0.92	1.11	1.11			0.72	0.98	1.24	1.50	1.63	1.77	1.96	2.16
Weight	kg	430	690	510	820	590	890			580	620	700	810	890	850	950	1,020
	lb	950	1,520	1,120	1,810	1,300	1,960			1,280	1,370	1,540	1,790	1,960	1,870	2,090	2,250
Specific weight with S-HD-Undercarriage	t/m ³	2.0	2.0	2.0	2.0	1.8	1.5			2.0	2.0	1.5	1.2	–	–	–	–
	lb/yd ³	3,400	3,400	3,400	3,400	3,000	2,500			3,400	3,400	2,500	2,000	–	–	–	–
Specific weight with LC-V-Undercarriage	t/m ³	2.0	2.0	2.0	2.0	2.0	1.65			2.0	2.0	1.65	1.2	–	–	–	–
	lb/yd ³	3,400	3,400	3,400	3,400	3,400	2,800			3,400	3,400	2,800	2,000	–	–	–	–

¹⁾ Ditch cleaning bucket 2 x 50° tilttable

Available buckets

R 956 Mono boom 9.00 m/29'6", stick 6.00 m/19'8"		Ditch cleaning buckets type R 938 / R 945 G8 TL-06				Buckets type R 938 / R 945 G8 TL-06				
Cutting width	mm	2,000	2,000 ¹⁾	2,200	2,200 ¹⁾	1,200	1,350	1,500	1,650	1,650
	in	79"	79" ¹⁾	87"	87" ¹⁾	47"	53"	59"	65"	65"
Capacity	m ³	1.45	1.45	1.65	1.65	1.25	1.50	1.75	2.00	2.25
	yd ³	1.90	1.90	2.16	2.16	1.63	1.96	2.29	2.62	2.94
Weight	kg	1,000	1,600	1,050	1,670	1,280	1,370	1,460	1,580	1,690
	lb	2,210	3,530	2,320	3,680	2,820	3,020	3,220	3,480	3,730
Specific weight with LC-Undercarriage	t/m ³	1.8	1.8	1.8	1.5	1.8	1.8	1.5	1.2	–
	lb/yd ³	3,000	3,000	3,000	2,500	3,000	3,000	2,500	2,000	–
Specific weight with LC-V-Undercarriage	t/m ³	1.8	1.8	1.8	1.8	1.8	1.8	1.8	1.5	1.2
	lb/yd ³	3,000	3,000	3,000	3,000	3,000	3,000	3,000	2,500	2,000

R 956 Mono boom 10.70 m/35'1" / , stick 8.50 m/27'11"		Ditch cleaning buckets type R 930 G8 TL-05				Buckets type R 930 G8 TL-05			
Cutting width	mm	2,000	2,000 ¹⁾	2,400	2,400 ¹⁾	850	1,050	1,250	1,400
	in	79"	79" ¹⁾	95"	95" ¹⁾	34"	41"	49"	55"
Capacity	m ³	0.85	0.85	1.15	1.15	0.75	1.00	1.25	1.45
	yd ³	1.11	1.11	1.50	1.50	0.98	1.31	1.63	1.90
Weight	kg	635	900	685	950	810	870	1,000	1,070
	lb	1,400	1,980	1,510	2,090	1,790	1,920	2,210	2,360
Specific weight with LC-Undercarriage	t/m ³	1.8	1.8	1.5	1.2	1.8	1.5	1.2	–
	lb/yd ³	3,000	3,000	2,500	2,000	3,000	3,000	2,000	–
Specific weight with LC-V-Undercarriage	t/m ³	1.8	1.8	1.8	1.5	1.8	1.8	1.2	1.2
	lb/yd ³	3,000	3,000	3,000	2,500	3,000	3,000	2,000	2,000

R 956 Mono boom 13.00 m/42'8", stick 10.00 m/32'10"		Ditch cleaning buckets type R 930 G8 TL-05				Buckets type R 930 G8 TL-05			
Cutting width	mm	2,000	2,000	2,000 ²⁾	2,400	850	1,050		
	in	79"	79"	79" ²⁾	95"	34"	41"		
Capacity	m ³	0.70	0.85	0.85	1.15	0.75	1.00		
	yd ³	0.92	1.11	1.11	1.50	0.98	1.31		
Weight	kg	550	635	900	685	810	940		
	lb	1,210	1,400	1,980	1,510	1,790	2,070		
Specific weight with LC-VW-Undercarriage	t/m ³	1.8	1.8	1.5	1.2	1.8	1.2		
	lb/yd ³	3,000	3,000	2,500	2,000	3,000	2,000		

R 976 Mono boom 10.50 m/34'5", stick 8.00 m/26'3"		Buckets type R 956 G6 TL-07			
Cutting width	mm	1,350	1,550	1,750	1,950
	in	53"	61"	69"	77"
Capacity	m ³	1.65	2.00	2.35	2.70
	yd ³	2.16	2.62	3.07	3.53
Weight	kg	2,100	2,250	2,450	2,650
	lb	4,630	4,960	5,400	5,840
Specific weight with HD-Undercarriage	t/m ³	1.8	1.5	1.2	–
	lb/yd ³	3,000	2,500	2,000	–
Specific weight with LC-V-Undercarriage	t/m ³	1.8	1.8	1.5	1.2
	lb/yd ³	3,000	3,000	2,500	2,000

R 976 Mono boom 12.00 m/39'4", stick 9.50 m/31'2"		Buckets type R 938 / R 945 G8 TL-06			
Cutting width	mm	1,200	1,350	1,500	1,650
	in	47"	53"	59"	65"
Capacity	m ³	1.25	1.50	1.75	2.00
	yd ³	1.63	1.96	2.29	2.62
Weight	kg	1,280	1,370	1,460	1,580
	lb	2,820	3,020	3,220	3,480
Specific weight with HD-Undercarriage	t/m ³	1.8	1.5	1.2	–
	lb/yd ³	3,000	2,500	2,000	–
Specific weight with LC-V-Undercarriage	t/m ³	1.8	1.8	1.5	1.2
	lb/yd ³	3,000	3,000	2,500	2,000

¹⁾ Ditch cleaning bucket 2 x 50° tiltable

²⁾ Ditch cleaning bucket 2 x 45° tiltable

Notes

The Liebherr Group of Companies



Diverse Product Range

The Liebherr Group is one of the largest construction equipment manufacturers in the world. Liebherr's quality products and services hold a high reputation in many industries. The wide range includes domestic appliances, aerospace and transportation systems, machine tools and maritime cranes.

Exceptional Customer Benefit

Every product line provides a complete range of models in many different versions. With both their technical excellence and superior quality, Liebherr products offer customers the highest benefits in practical applications.

State-of-the-art Technology

Liebherr attributes great importance to the product areas of core technology and components, in order to achieve its consistent, top-quality products. Important modules and components are developed and manufactured in-house, for instance, the entire drive and control technology for the construction equipment and mining trucks.

Worldwide and Family-Owned

Hans Liebherr founded the Liebherr family company in 1949. Since that time, the enterprise has steadily grown to a group of more than 140 companies with nearly 48,000 employees located on all continents. The corporate headquarters of the Group is Liebherr-International AG in Bulle, Switzerland. The Liebherr family is the sole owner of the company.

www.liebherr.us

WARNING

This product can expose you to chemicals including lead and lead compounds, which are known to the State of California to cause cancer and birth defects or other reproductive harm.
For more information go to www.P65warnings.ca.gov.

WARNING

Breathing diesel engine exhaust exposes you to chemicals known to the State of California to cause cancer and birth defects or other reproductive harm.

- ▶ Always start and operate the engine in a well-ventilated area.
- ▶ If in an enclosed area, vent the exhaust to the outside.
- ▶ Do not modify or tamper with exhaust system.
- ▶ Do not idle the engine except as necessary.

For more information go to www.P65warnings.ca.gov/diesel.