

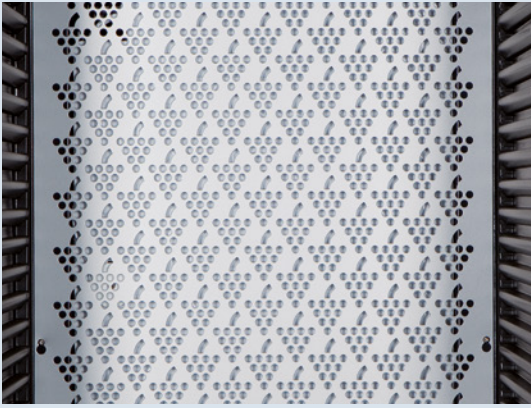
Wine Storage Sophistication for Your Home

Quality, Design and Innovation



Wkb 4611

LIEBHERR



Optimum humidity: Liebherr wine cabinets guarantee an optimum humidity and this ensured the corks are supple in place whilst still allowing the wine to breathe in its maturing process.



Integrated lock: Nicely concealed at the top of the control panel area, this sturdy lock protects your fine wine collection.



Wooden shelves: The wooden shelves are ideal for storing Bordeaux bottles. They can be stored in opposite directions to make full use of the capacity.

The **WKb 4611** wine cabinet mimics the conditions of an underground wine cellar. Its solid door creates a dark, undisturbed environment with zero exposure to UV light and heat fluctuations – perfect for maturing wines. This unit ensures a constant interior temperature, which can be adjusted between +5 °C and +20 °C. Wines are always stored safely on our untreated wooden shelves while the activated charcoal filter provides optimal air quality. The ergonomic slimline door handle with integrated opening mechanism makes the door easy to open with very little effort. For added flexibility, optional accessories¹ are available.

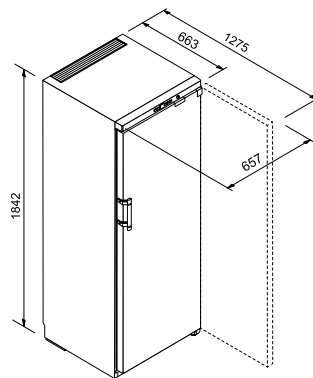
WKb 4611



Barrique

Sound rating dB(A) *	40
Total capacity litre	336
Max No. of Bordeaux bottles (0.75l) **	195
Number of shelves	7
Shelf material	Beech wood
Electronic control	LCD display, buttons
Temperature range °C	+5°C to +20°C
Temperature zones	1
Temperature alarm	Visual and audible
Interior light	Light bulb
Door alarm	Audible
Safety thermostat	Yes
Activated charcoal filter	Yes
Door type	Full door, black
Integrated lock	Yes
SoftSystem	No
Door hinges	Right, reversible
Product dimensions (H/W/D) cm	184.2 / 65.7 / 66.3
Gross / Net weight kg	78.5 / 68.5
Voltage V/Hz	220-240 / 50

Installation Diagram



Activated Charcoal Filter
Part no.: 988129100

* Noise output - according to EN 60704-3

** These models are only bound for storing wine. Max. DIN norm bordeaux bottle capacity (0.75 l) as per norm NF H 35-124 (H:300.5 mm, Ø 76.1mm)

¹ Available accessories: Regular Shelf (Part no. 711173400), Activated Charcoal Filter (Part no: 988129100)

Note: Whilst every effort is made to ensure all specifications and information in this flyer are accurate, Liebherr reserves the right to make changes without notification. Where actual appliance measurements, specifications, and ratings are crucial, we recommend that the actual appliance installation instructions that accompany each appliance be checked. Liebherr will not be liable for any loss.