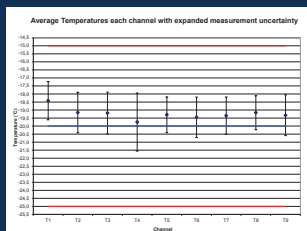


# LFT50W2HC

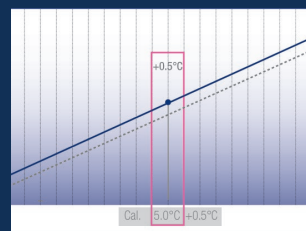
Laboratory Freezer with Top Mount Compressor



**Maximum temperature stability**  
The dynamic cooling system with double ventilation ensures maximum temperature stability in the interior. Very short defrost cycles allow the interior temperature to be kept almost constant during the defrost phases. All the laboratory appliances are designed for temperature stability and consistency according to EN 60068-3



**Integrated electronics**  
The intuitive controller with integrated real-time clock allows the temperature to be set to 1/10°C accuracy. The keypad is resistant to dirt and easy to clean - to meet the most stringent hygiene requirements of the laboratory.



**Accurate 1-point calibration**  
The laboratory appliances with electronic controls have a 1-point calibration function for extremely accurate temperature control. This allows compensations between the set temperature and the actual interior temperature. The correction value can be adjusted in increments of 0.1 K.



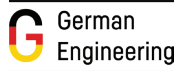
**External temperature and alarm documentation**  
The laboratory appliances are equipped with an RS 485 serial interface - which means that up to 20 appliances can be connected via the SmartCoolingHub to a network and with an external documentation and alarm system. The appliances also have a volt-free contact to relay alarms to an external remote warning system.

# LIEBHERR

# LFT50W2HC

Mediline

## High Performance Freezer



LED

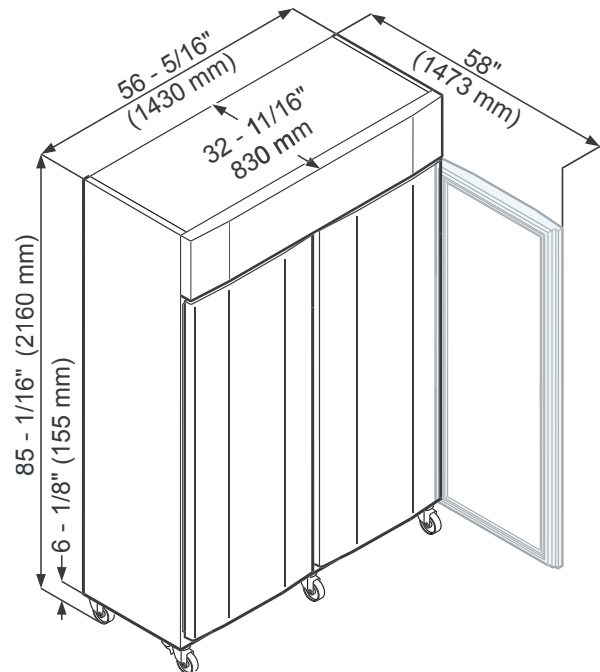
home.liebherr.com

### LFT50W2HC

Total gross/net capacity l (cu.ft.)	1365/1325 (48.2/46.8)
Exterior dimensions in mm (w/d/h) in inches (w/d/h)	1430/830/2160 56 5/16"/32 11/16"/85 1/16"
Interior dimensions in mm (w/d/h) in inches (w/d/h)	1236/650/1500 48 11/16"/25 5/8"/59 1/16"
Energy Consumption (kWh/day) *	8.59
EnergyStar rated	Yes
Ambient temperature in °C (°F)	16°C to 43°C (61°F to 109°F)
Refrigerant	R290
Sound rating**	65 dB(A)
Connection rating	10.0 A
Frequency/voltage	60 Hz/115V~
Cooling system/Defrost	Forced-air/automatic
Temperature range in °C (°F)	-10°C to -26°C (14°F to -15°F)
External cabinet finish	Steel/white
Door/lid material	Steel
Internal liner material	Stainless steel
Type of control	Electronic control
Temperature display	External digital
Alarm	Visual, audible
Alarm forwarding	Yes
Interior Light	LED Ceiling Light
Adjustable shelves	8
Shelf material	Clear-coated wire shelves
Shelf load weight in kg (lbs)	60 (132.3)
Usable Shelf Area in mm (inches)	1236/640 (48 11/16"/25 1/4")
Casters	Casters with brake at the front, casters at the rear
Handle	Full-length integrated handle
Lock	Recessed
Self-closing door	Yes
Door Hinges	Left/right hand hinged, not reversible
Insulation in mm (inches)	83 - 60 (3 5/16" - 2 3/8")
Gross/net weight in Kg (lbs)	264/217 (582/478.4)



### Unit Dimensions



### Accessories

<b>Shelf, plastic-coated</b>	7113327
<b>U-shaped tray slide, right</b>	9001761
<b>U-shaped tray slide, left</b>	9001757
<b>Foot pedal opener</b>	9590639
<b>Side-by-Side kit</b>	9901947

\* Measured unloaded at 26.6°C (80°F) ambient temperature with set point of 3.3°C (38°F).

\*\* Noise level - sound power re 1pW - according to IEC 60704-2-14.

# LIEBHERR