

---

# LH 80 Port Litronic

---

## LIEBHERR

Material handling machine



### Generation

6

### Operating weight

75,700–124,700 kg\*

### Engine

Stage V  
Stage IIIA (compliant)  
Tier 4 Final  
Electric

\* Without attachment

## Performance

Power plus speed –  
Redefined performance

## Economy

Good investment –  
Savings for long-term

## Reliability

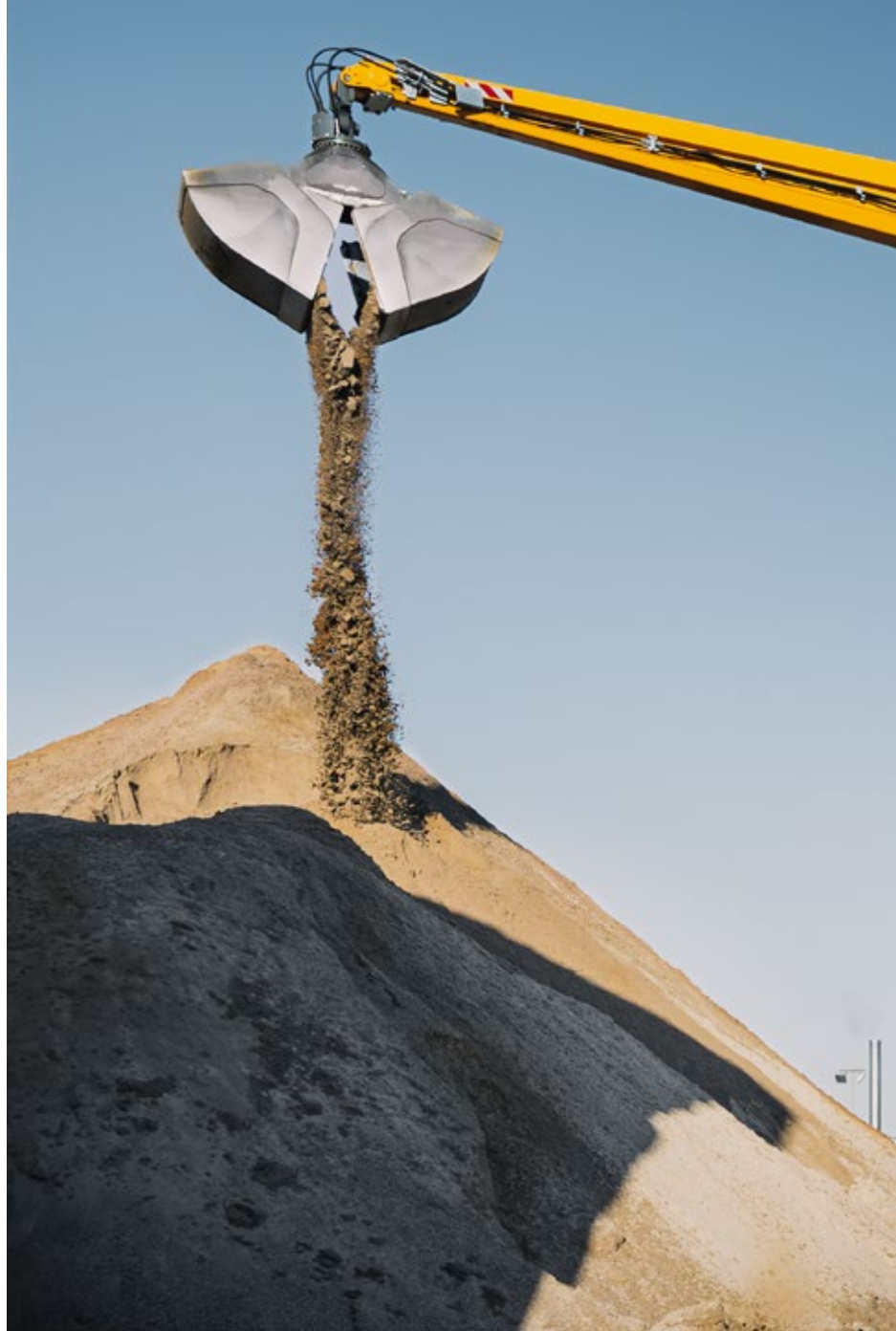
Durability and sustainability –  
Quality down to the last detail

## Comfort

Perfection at a glance –  
When technology is comfortable

## Maintainability

Efficiency bonus –  
Even with maintenance and service



### LH 80 M Port Litronic

**Operating weight**  
75,700–88,400 kg\*

**Engine**  
230 kW / 313 HP (Diesel)  
220 kW (Electric)  
Stage V  
Stage IIIA (compliant)  
Tier 4 Final  
Electric

**System performance**  
418 kW (Diesel)  
408 kW (Electric)

### LH 80 C Port Litronic

**Operating weight**  
80,000–92,600 kg\*

**Engine**  
230 kW / 313 HP (Diesel)  
220 kW (Electric)  
Stage V  
Stage IIIA (compliant)  
Tier 4 Final  
Electric

**System performance**  
418 kW (Diesel)  
408 kW (Electric)

\* Without attachment



## LH 80 M High Rise Port Litronic

**Operating weight**  
88,800–102,500 kg\*

**Engine**  
230 kW / 313 HP (Diesel)  
220 kW (Electric)  
Stage V  
Stage IIIA (compliant)  
Tier 4 Final  
Electric

**System performance**  
418 kW (Diesel)  
408 kW (Electric)

## LH 80 C High Rise Port Litronic

**Operating weight**  
89,500–105,700 kg\*

**Engine**  
230 kW / 313 HP (Diesel)  
220 kW (Electric)  
Stage V  
Stage IIIA (compliant)  
Tier 4 Final  
Electric

**System performance**  
418 kW (Diesel)  
408 kW (Electric)

## LH 80 C Gantry Port Litronic

**Operating weight**  
109,600–124,700 kg\*

**Engine**  
230 kW / 313 HP (Diesel)  
220 kW (Electric)  
Stage V  
Stage IIIA (compliant)  
Tier 4 Final  
Electric

**System performance**  
418 kW (Diesel)  
408 kW (Electric)



# Technical data

## Diesel engine

<b>Rating per ISO 9249</b>	230 kW (313 HP) at 1,800 RPM
<b>Model</b>	Liebherr D946
<b>Type</b>	6 cylinder in-line
<b>Bore / Stroke</b>	130 / 150 mm
<b>Displacement</b>	11.95 l
<b>Engine operation</b>	4-stroke diesel Common-Rail Turbo-charged and after-cooled Reduced emissions
<b>Air cleaner</b>	Dry-type air cleaner with pre-cleaner, primary and safety elements
<b>Engine idling</b>	Sensor controlled
<b>Electrical system</b>	
<b>Voltage</b>	24 V
<b>Batteries</b>	2 x 180 Ah / 12 V
<b>Alternator</b>	Three-phase current 28 V / 140 A
<b>Stage V</b>	
<b>Harmful emissions values</b>	According to regulation (EU) 2016/1628
<b>Emission control</b>	Liebherr-SCR Filter technology
<b>Fuel tank</b>	660 l
<b>Urea tank</b>	65 l
<b>Stage IIIA (compliant)</b>	
<b>Harmful emissions values</b>	In accordance with ECE-R.96 Power Band H
<b>Fuel tank</b>	660 l
<b>Tier 4 Final</b>	
<b>Harmful emissions values</b>	In accordance with 40CFR1039 (EPA) / 13CCR (CARB)
<b>Emission control</b>	Liebherr-SCR technology
<b>Fuel tank</b>	660 l
<b>Urea tank</b>	65 l

## Electric motor

<b>Rating</b>	220 kW at 1,800 RPM
<b>Type</b>	Three-phase squirrel cage motor
<b>Secondary electric motor</b>	Electric motor auxiliary equipment (air-conditioning compressor, alternator 24 V) 15 kW
<b>Electrical system energy supply</b>	Frequency converter fed drive system Heavy-duty version
<b>Supply voltage</b>	
<b>Low voltage</b>	380 V, 400 V
<b>Frequency</b>	50 / 60 Hz
<b>Engine idling</b>	Sensor controlled
<b>Electrical system</b>	Battery-assisted Control system, lighting, diagnostics system
<b>Voltage</b>	24 V
<b>Batteries</b>	2 x 135 Ah / 12 V
<b>Alternator</b>	Three-phase current 28 V / 140 A

Deviating parameters of the power supply system must always be clarified with Liebherr-Hydraulikbagger GmbH.

## Cooling system

<b>Diesel engine</b>	Water-cooled Cooling system, consisting of a cooling unit for water and charge air and a 2nd cooler for hydraulic oil, each with an infinitely variable, thermostatically controlled fan drive system
<b>Electric motor</b>	Air-cooled Cooling system for hydraulic oil with an infinitely variable, thermostatically controlled fan drive system

## Hydraulic controls

<b>Power distribution</b>	Via control valves with integrated safety valves, simultaneous actuation of chassis and equipment. Swing drive in separate closed circuit
<b>Servo circuit</b>	
<b>Equipment and swing</b>	With electro-hydraulic pilot control and proportional joystick levers
<b>Chassis mobile</b>	Electro-proportional via foot pedal
<b>Chassis crawler</b>	With electric proportionally functioning foot pedals or adjusted with plugable levers
<b>Additional functions</b>	Via switch or electro-proportional foot pedals
<b>Proportional control</b>	Proportionally acting transmitters on the joysticks for additional hydraulic functions

## Hydraulic system

<b>Hydraulic pump</b>	
<b>For equipment and travel drive</b>	2 Liebherr axial piston variable displacement pumps (double construction)
<b>Max. flow</b>	2 x 362 l/min.
<b>Max. pressure</b>	350 bar
<b>For swing drive</b>	Reversible axial piston variable displacement pump, closed-loop circuit
<b>Max. flow</b>	196 l/min.
<b>Max. pressure</b>	370 bar
<b>Hydraulic pump regulation and control</b>	2 circuit Liebherr-Synchron-Comfort-system (LSC) with electronic engine speed sensing regulation, pressure and flow compensation, automatic oil flow optimizer
<b>Hydraulic tank</b>	340 l
<b>Hydraulic system</b>	950 l
<b>Filtration</b>	2 main return filters with integrated partial micro filtration (5 µm)
<b>MODE selection</b>	Adjustment of engine and hydraulic performance via a mode pre-selector to match application, e.g. for especially economical and environmentally friendly operation or for maximum material handling and heavy-duty jobs
<b>S (Sensitive)</b>	Mode for precision work and lifting through very sensitive movements
<b>E (Eco)</b>	Mode for especially economical and environmentally friendly operation
<b>P (Power)</b>	Mode for high performance with low fuel consumption
<b>P+ (Power-Plus)</b>	Mode for highest performance and for very heavy duty applications, suitable for continuous operation
<b>Engine speed and performance setting</b>	Stepless alignment of engine output and hydraulic power via engine speed
<b>Option</b>	Tool Control: 20 pre-adjustable pump flows and pressures for add-on attachments

## Swing drive

<b>Drive</b>	Liebherr axial piston motor in a closed system, Liebherr planetary reduction gear
<b>Swing ring</b>	Liebherr, sealed race ball bearing swing ring, internal teeth
<b>Swing speed</b>	0-6.5 RPM stepless
<b>Swing torque</b>	141 kNm
<b>Holding brake</b>	Wet multi-disc (spring applied, pressure released)
<b>Option</b>	Slewing gear brake Comfort

## Cab

<b>Cab</b>	Safety cab structure with individual windscreens or featuring a slide-in subpart under the ceiling, work headlights integrated in the ceiling, a door with a sliding window (can be opened on both sides), large stowing and depositing possibilities, shock-absorbing suspension, sound damping insulating, tinted laminated safety glass, separate shades for the sunroof window and windscreen
High Rise / Gantry	Deviating from standard: safety cab structure with fixed built-in front and roof window made from impact-resistant laminated safety glass
<b>Operator's seat Comfort</b>	Air cushioned operator's seat with 3D-adjustable armrests, headrest, lap belt, seat heater, adjustable seat cushion inclination and length, lockable horizontal suspension, automatic weight adjustment, adjustable suspension stiffness, pneumatic lumbar vertebrae support and passive seat climatisation with active coal
<b>Operator's seat Premium (Option)</b>	In addition to operator's seat comfort: active electronic weight adjustment (automatic readjustment), pneumatic low frequency suspension and active seat climatisation with active coal and ventilator
<b>Arm consoles</b>	Joysticks with control consoles and swivel seat, folding left control console
<b>Operation and displays</b>	Large high-resolution operating unit, self-explanatory, colour display with touchscreen, video-compatible, numerous setting, control and monitoring options, e.g. air conditioning control, fuel consumption respectively energy consumption, machine and attachment parameters
<b>Air-conditioning</b>	
Diesel engine	Automatic air-conditioning, recirculated air function, fast de-icing and demisting at the press of a button, air vents can be operated via a menu; recirculated air and fresh air filters can be easily replaced and are accessible from the outside; heating-cooling unit, designed for extreme outside temperatures, sensors for solar radiation, inside and outside temperatures
Electric motor	In addition to diesel engine: stationary air conditioning function with external climate condenser – controlled by a weekly timer
Refrigerant	R134a
Global warming potential	1,430
Quantity at 25 °C*	1,400–2,000 g (Diesel) 1,600–2,200 g (Electric)
CO <sub>2</sub> equivalent*	2.002–2.860 t (Diesel) 2.288–3.146 t (Electric)
<b>Vibration emission**</b>	
Hand / arm vibrations	< 2.5 m/s <sup>2</sup>
Whole-body vibrations	< 0.5 m/s <sup>2</sup>
Measuring inaccuracy	According with standard EN 12096:1997

## Equipment

<b>Type</b>	Weight-optimised design for bulk and general cargo handling at optimal handling capacity. Complex and stable mountings of equipment and cylinders
<b>Hydraulic cylinders</b>	Liebherr cylinders with special sealing and guide system and, depending on cylinder type, shock absorption
<b>Energy recovering cylinder</b>	Liebherr gas cylinder with special sealing and control system
<b>Bearings</b>	Sealed, low maintenance

\* depending on configuration

\*\* for risk assessment according to 2002/44/EC see ISO/TR 25398:2006

## Undercarriage

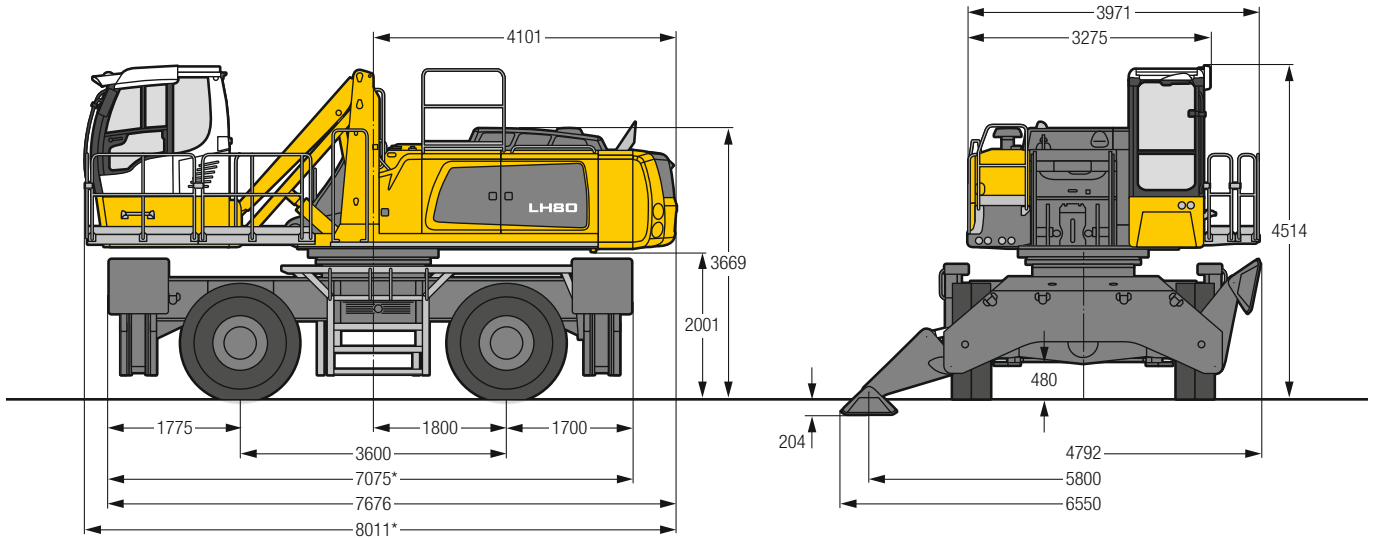
<b>Mobile</b>	
Versions	Standard, High Rise
Drive Standard	One axle drive per drive axle with Liebherr axial piston motor and functional brake valve on both sides
Drive High Rise	One driven axle with transmission with Liebherr axial piston motor and functional brake valve on both sides
Travel speed	0–10.0 km/h stepless
Joystick steering	0– 3.5 km/h stepless (creeper speed) (Diesel) 0– 3.1 km/h stepless (creeper speed) (Electric) 0– 8.0 km/h stepless (High Rise) 0– 5.0 km/h stepless (creeper speed) (High Rise) (Diesel) 0– 2.5 km/h stepless (creeper speed) (High Rise) (Electric)
Driving operation	Automotive driving using accelerator pedal, cruise control function: storage of variable accelerator pedal positions
Axles	90 t drive axles; manual or automatic hydraulically controlled front axle oscillation lock
Service brake	Two circuit travel brake system with accumulator; wet and backlash-free disc brake
Holding brake	Wet multi-disc (spring applied, pressure released)
Stabilization	4 point outriggers
<b>Crawler</b>	
Versions	SW, High Rise, Gantry
Drive	Liebherr compact planetary reduction gear with Liebherr axial piston motor per side of undercarriage
Travel speed	
SW	0–4.1 km/h stepless 0–2.5 km/h stepless (creeper speed)
High Rise	0–2.9 km/h stepless 0–2.0 km/h stepless (creeper speed)
Gantry	0–3.6 km/h stepless 0–2.5 km/h stepless (creeper speed)
Brake	Functional brake valves on both sides
Holding brake	Wet multi-disc (spring applied, pressure released)
Track pads	Triple grouser, flat
Tracks	Sealed and greased

## Complete machine

<b>Lubrication</b>	Liebherr central lubrication system for uppercarriage and equipment, automatically
Mobile (Option)	Liebherr central lubrication system for undercarriage, automatically
<b>Steps system</b>	Safe and durable access system with anti-slip steps; main components hot-galvanised
<b>Noise emission</b>	
ISO 6396	70 dB(A) = L <sub>pA</sub> (inside cab)
2000/14/EC	105 dB(A) = L <sub>WA</sub> (surround noise)

# LH 80 M – Dimensions

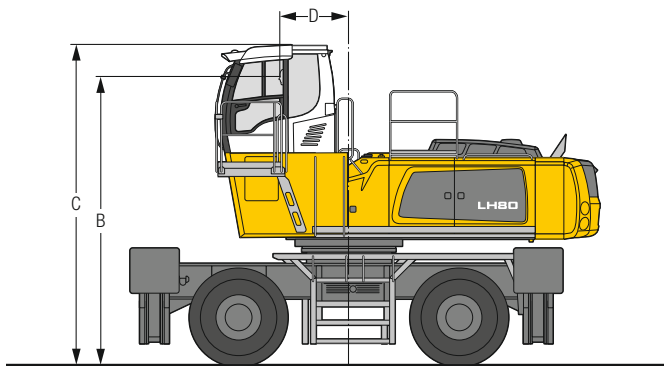
## Port



\* For electric machines, the length of the machine is increased accordingly by the trailing cable / cable reel system. Detailed dimensions are available on request.

# LH 80 M – Choice of cab elevation

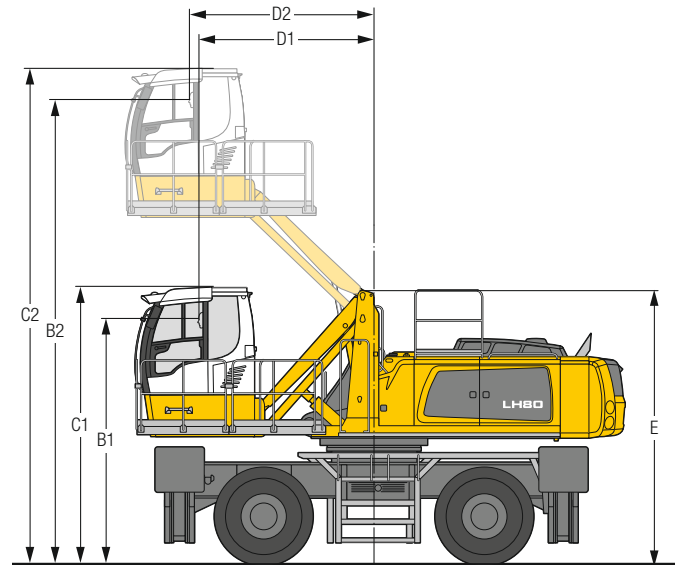
## Cab elevation LFC (rigid elevation)



Increase type	LFC 120	LFC 200
Height	1,200 mm	2,000 mm
B	4,701 mm	5,501 mm
C	5,214 mm	6,014 mm
D	1,128 mm	1,128 mm

A rigid cab elevation has a fixed eye level height. For a lower transport height, the shell of the cab can be removed and replaced by a transport device. The dimension C is in this machine design for all rigid cab elevations 3,958 mm.

## Cab elevation LHC (hydraulic elevation)



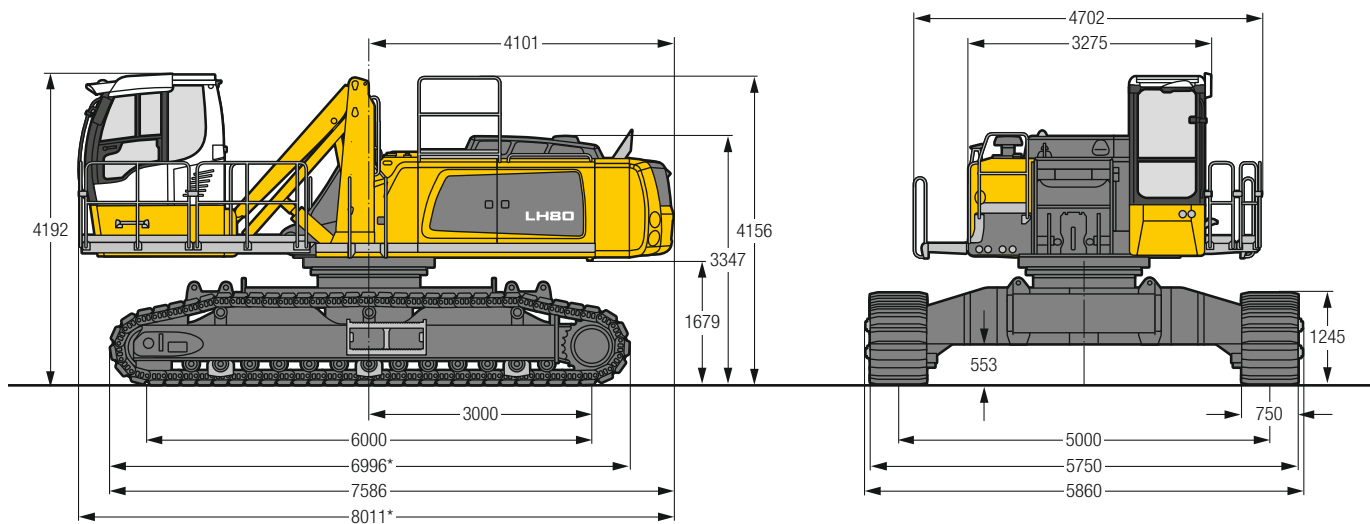
Increase type	LHC 255	LHC 340-35	LHC 360-50
B1	3,501 mm	3,852 mm	4,001 mm
B2	6,048 mm	7,267 mm	7,571 mm
C1	4,014 mm	4,366 mm	4,514 mm
C2	6,561 mm	7,780 mm	8,085 mm
D1	1,683 mm	2,796 mm	2,854 mm
D2	1,809 mm	2,797 mm	3,004 mm
E	3,916 mm	4,306 mm	4,456 mm

The hydraulically adjustable cab allows the driver, that he can choose his field of view freely and at any time within the stroke.

Tyres 23.5-25

# LH 80 C SW – Dimensions

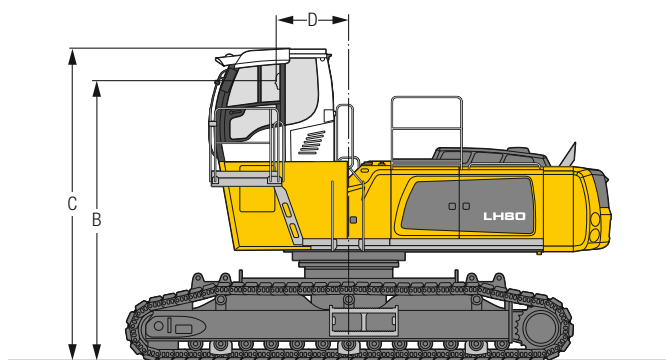
## Port



\* For electric machines, the length of the machine is increased accordingly by the trailing cable / cable reel system. Detailed dimensions are available on request.

# LH 80 C SW – Choice of cab elevation

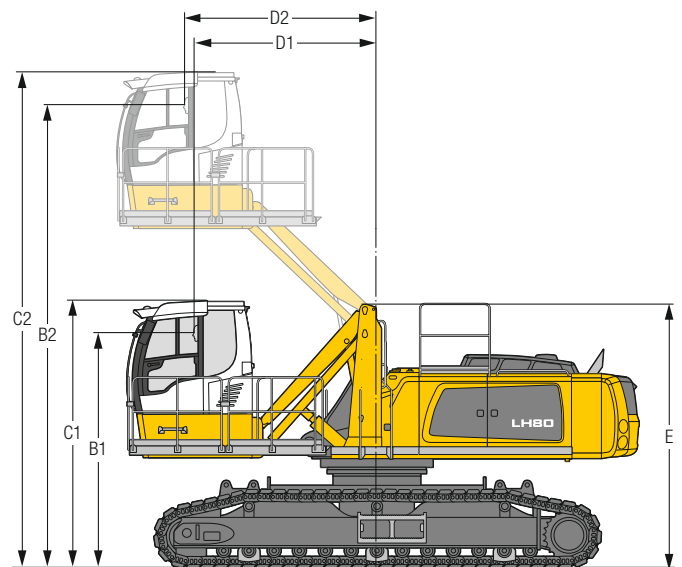
## Cab elevation LFC (rigid elevation)



Increase type	LFC 120	LFC 200
Height	1,200 mm	2,000 mm
B	4,379 mm	5,179 mm
C	4,892 mm	5,692 mm
D	1,128 mm	1,128 mm

A rigid cab elevation has a fixed eye level height. For a lower transport height, the shell of the cab can be removed and replaced by a transport device. The dimension C is in this machine design for all rigid cab elevations 3,996 mm.

## Cab elevation LHC (hydraulic elevation)

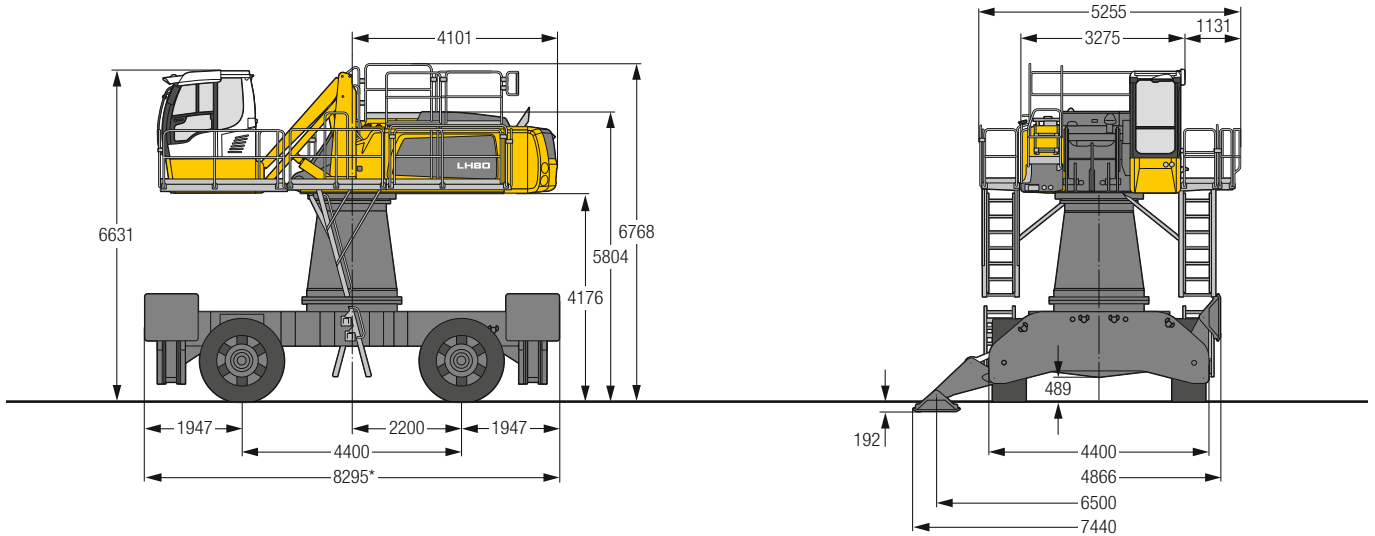


Increase type	LHC 255	LHC 340-35	LHC 360-50
B1	3,179 mm	3,530 mm	3,679 mm
B2	5,726 mm	6,946 mm	7,249 mm
C1	3,693 mm	4,044 mm	4,192 mm
C2	6,239 mm	7,460 mm	7,763 mm
D1	1,683 mm	2,796 mm	2,854 mm
D2	1,809 mm	2,797 mm	3,004 mm
E	3,594 mm	3,984 mm	4,134 mm

The hydraulically adjustable cab allows the driver, that he can choose his field of view freely and at any time within the stroke.

# LH 80 M HR – Dimensions

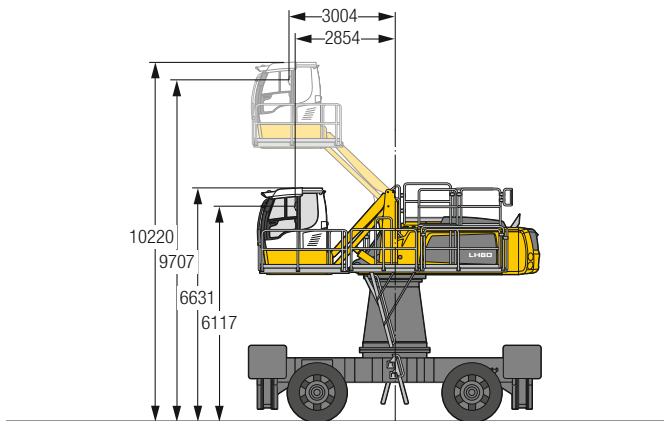
## Port



\* For electric machines, the length of the machine is increased accordingly by the trailing cable / cable reel system. Detailed dimensions are available on request.

# LH 80 M HR – Choice of cab elevation

## Cab elevation LHC (hydraulic elevation)

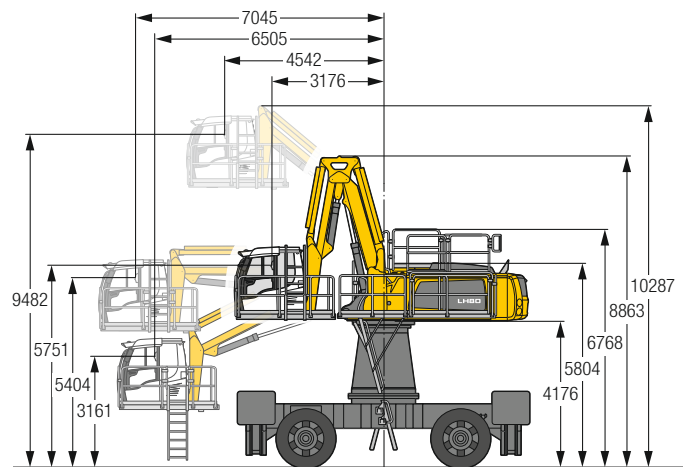


### Increase type

### LHC 360-50

The hydraulically adjustable cab allows the driver, that he can choose his field of view freely and at any time within the stroke.

## Cab elevation LHC-D (hydraulic elevation)



### Increase type

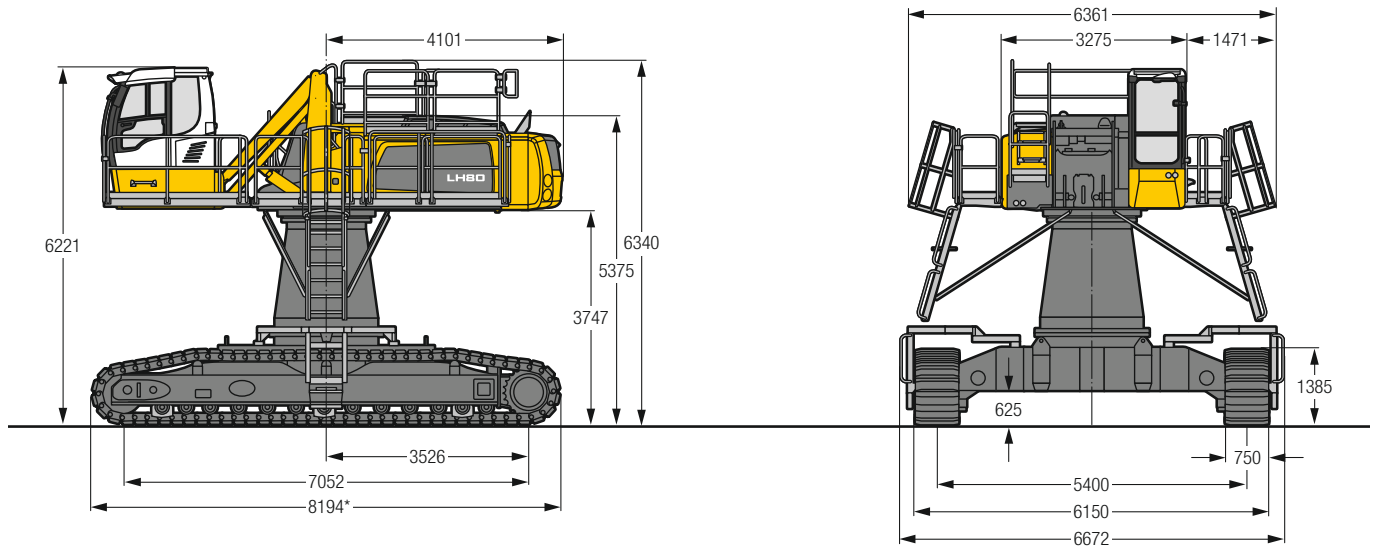
### LHC-D 730

The hydraulically adjustable cab allows the driver, that he can choose his field of view freely and at any time within the stroke.



# LH 80 C HR – Dimensions

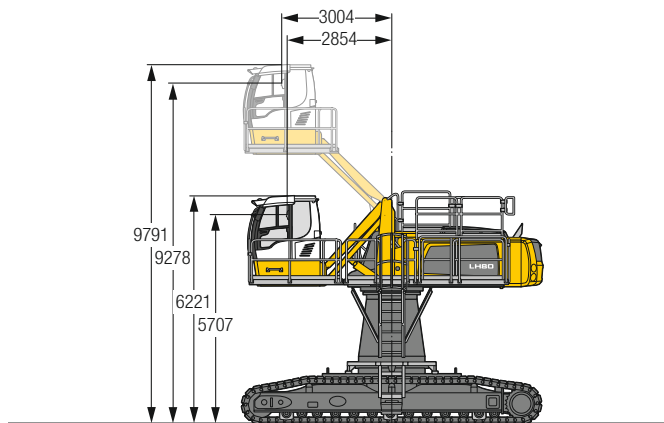
## Port



\* For electric machines, the length of the machine is increased accordingly by the trailing cable / cable reel system. Detailed dimensions are available on request.

# LH 80 C HR – Choice of cab elevation

## Cab elevation LHC (hydraulic elevation)

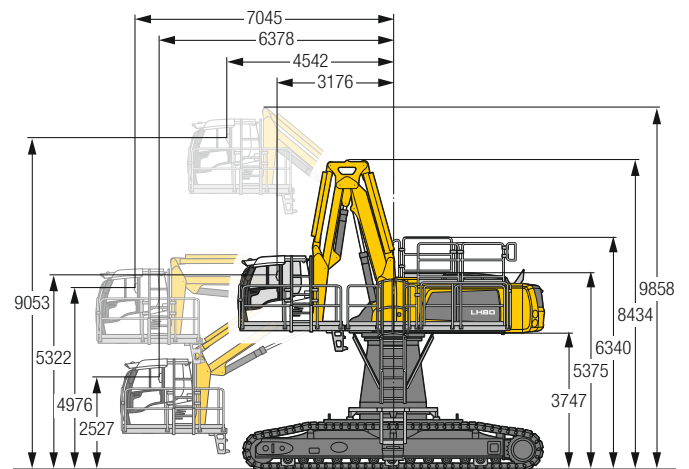


### Increase type

### LHC 360-50

The hydraulically adjustable cab allows the driver, that he can choose his field of view freely and at any time within the stroke.

## Cab elevation LHC-D (hydraulic elevation)



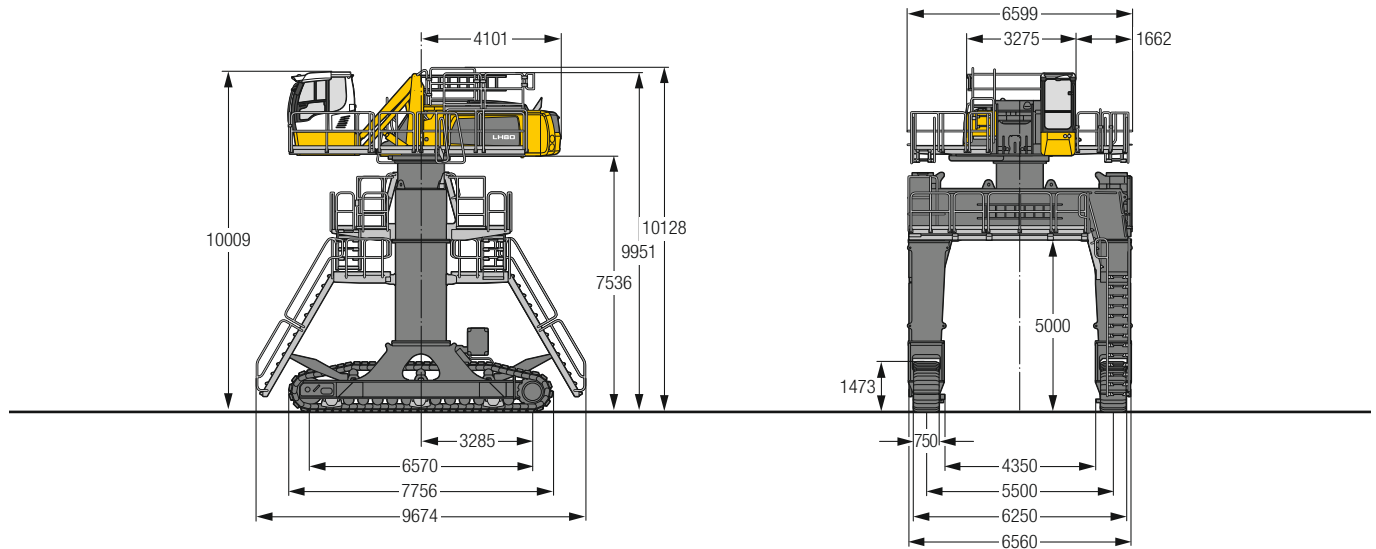
### Increase type

### LHC-D 730

The hydraulically adjustable cab allows the driver, that he can choose his field of view freely and at any time within the stroke.

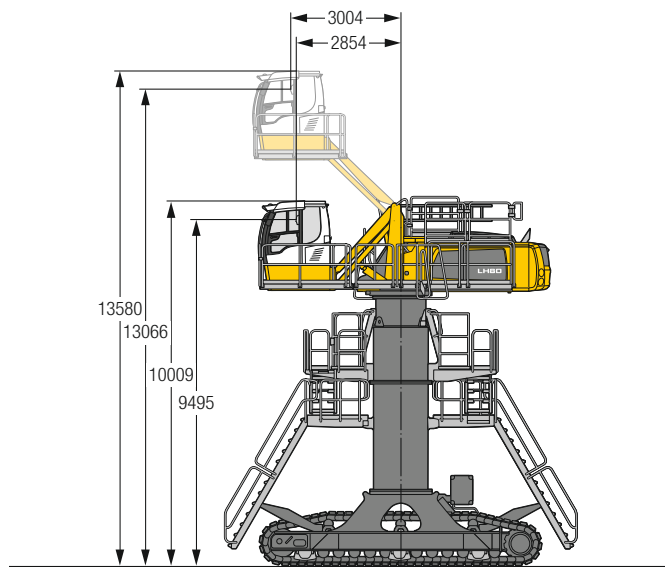
# LH 80 C Gantry – Dimensions

## Port



# LH 80 C Gantry – Cab elevation

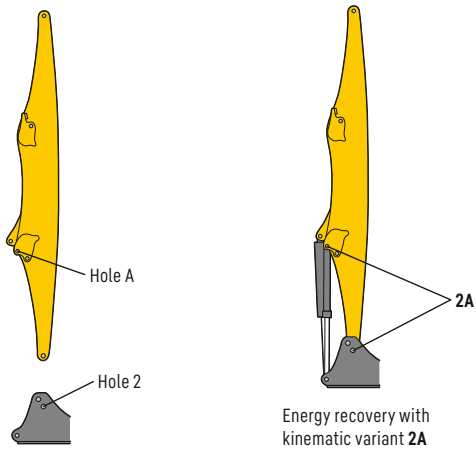
## Cab elevation LHC (hydraulic elevation)



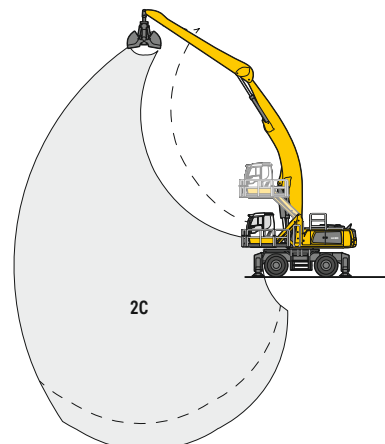
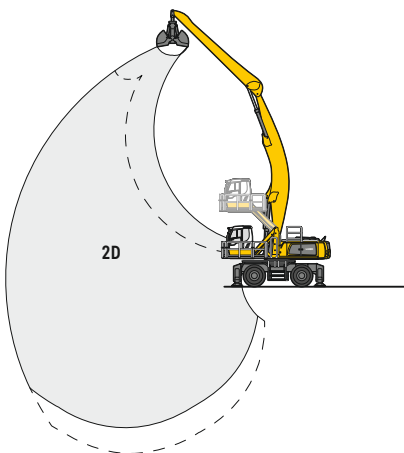
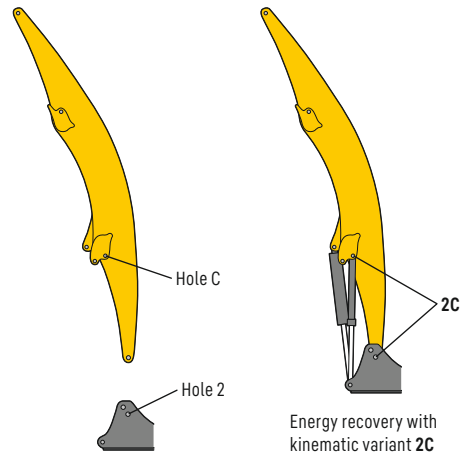
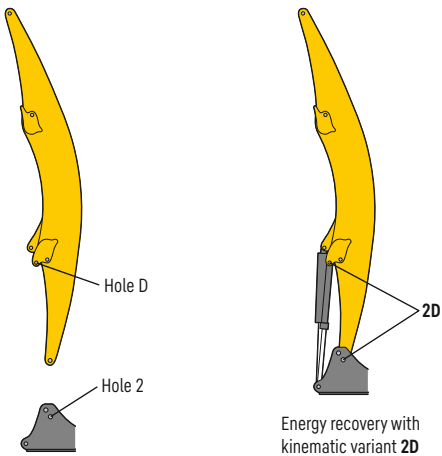
**Increase type** LHC 360-50

The hydraulically adjustable cab allows the driver, that he can choose his field of view freely and at any time within the stroke.

## Kinematic variant 2A



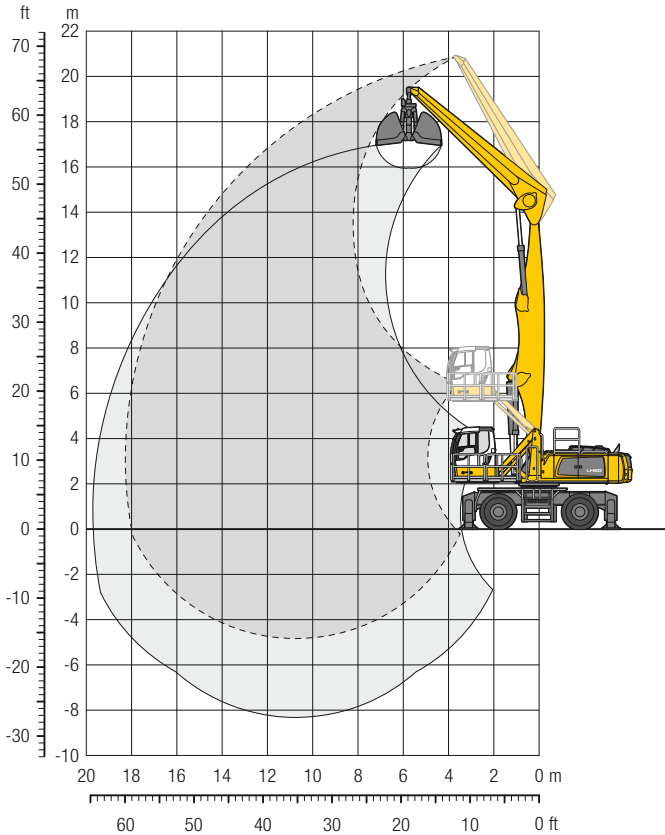
## Kinematic variant 2D / 2C



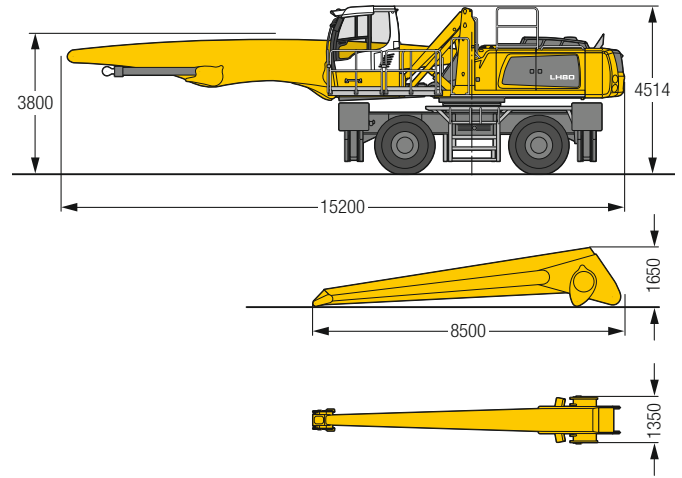
Altered range curve with additional reach depth, e.g. for unloading from ships

# LH 80 M – Equipment GG18

## Port – Kinematic 2A



### Dimensions



### Operating weight

The operating weight includes the basic machine with 4 point outriggers, hydr. cab elevation, 4 solid tyres, straight boom 10.50 m, straight stick 8.00 m and grab for loose material GMZ 80 / 8.00 m<sup>3</sup>.

Weight 80,900 kg

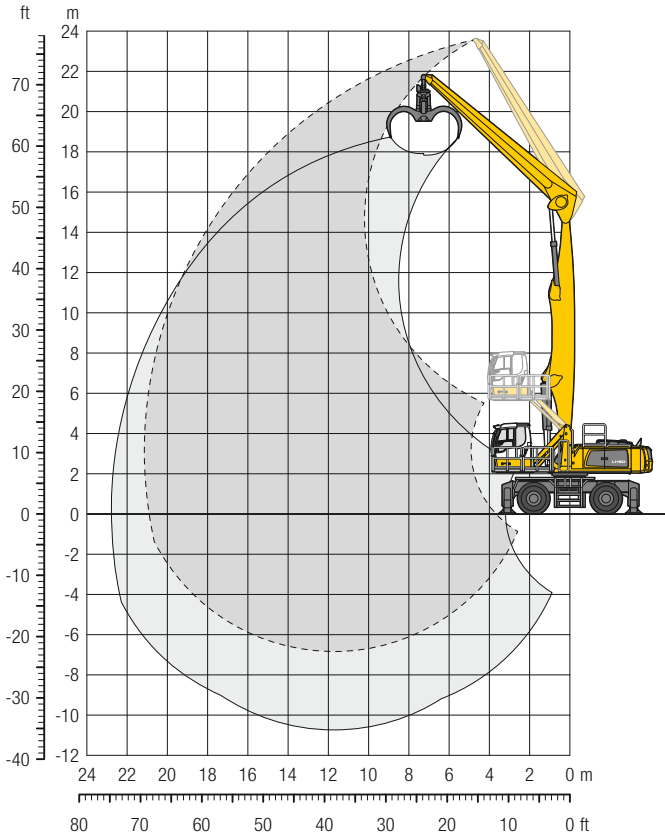
m	Undercarriage	6.0m	7.5m	9.0m	10.5m	12.0m	13.5m	15.0m	16.5m	18.0m	19.5m	21.0m	22.5m	24.0m	m	
		Icon	Icon	Icon	Icon	Icon	Icon	Icon	Icon	Icon	Icon	Icon	Icon	Icon		
22.5	4 pt. outriggers down														16.0* 16.0*	8.0
21.0	4 pt. outriggers down														13.4* 13.4*	10.6
19.5	4 pt. outriggers down	20.7* 20.7*	17.6* 17.6*												12.1* 12.1*	12.5
18.0	4 pt. outriggers down		19.7* 19.7*	17.5* 17.5*	13.8* 13.8*										11.2* 11.2*	13.9
16.5	4 pt. outriggers down			18.3* 18.3*	16.6* 16.6*	13.8* 13.8*									10.7* 10.7*	15.1
15.0	4 pt. outriggers down			17.9* 17.9*	16.2* 16.2*	15.0* 15.0*	13.0* 13.0*								10.3* 10.3*	16.0
13.5	4 pt. outriggers down			17.8* 17.8*	16.1* 16.1*	14.8* 14.8*	13.8* 13.8*	11.1* 11.1*							10.1* 10.1*	16.7
12.0	4 pt. outriggers down			17.9* 17.9*	16.2* 16.2*	14.8* 14.8*	13.7* 13.7*	12.8* 12.8*							10.7* 10.7*	15.1
10.5	4 pt. outriggers down			18.3* 18.3*	16.4* 16.4*	15.0* 15.0*	13.8* 13.8*	12.8* 12.8*	11.5* 11.5*						10.0* 10.0*	17.3
9.0	4 pt. outriggers down		21.6* 21.6*	18.9* 18.9*	16.8* 16.8*	15.2* 15.2*	13.9* 13.9*	12.8* 12.8*	11.9* 11.9*						9.9* 9.9*	17.8
7.5	4 pt. outriggers down	20.9* 20.9*	22.8* 22.8*	19.7* 19.7*	17.3* 17.3*	15.6* 15.6*	14.1* 14.1*	12.9* 12.9*	11.8* 11.8*						10.0* 10.0*	18.1
6.0	4 pt. outriggers down	29.2* 29.2*	24.2* 24.2*	20.6* 20.6*	17.9* 17.9*	16.0* 16.0*	14.4* 14.4*	13.1* 13.1*	11.7* 11.9*	10.1 10.4*					9.8 9.9*	18.2
4.5	4 pt. outriggers down	32.3* 32.3*	25.8* 25.8*	21.5* 21.5*	18.5* 18.5*	16.3* 16.3*	14.6* 14.6*	13.1* 13.1*	11.5* 11.8*	10.0 10.3*					9.4* 9.4*	18.3
3.0	4 pt. outriggers down	30.6* 30.6*	27.0* 27.0*	22.3* 22.3*	19.0* 19.0*	16.6* 16.6*	14.7* 14.7*	13.1* 13.1*	11.4* 11.6*	9.9* 9.9*					8.8* 8.8*	18.2
1.5	4 pt. outriggers down	15.0* 15.0*	27.6* 27.6*	22.7* 22.7*	19.3* 19.3*	16.7* 16.7*	14.7* 14.7*	12.9* 12.9*	11.2* 11.3*	9.2* 9.2*					8.0* 8.0*	18.0
0	4 pt. outriggers down	13.0* 13.0*	27.3* 27.3*	22.6* 22.6*	19.1* 19.1*	16.5* 16.5*	14.4* 14.4*	12.5* 12.5*	10.7* 10.7*						9.1* 9.1*	15.7
-1.5	4 pt. outriggers down	13.8* 13.8*	25.9* 25.9*	21.7* 21.7*	18.4* 18.4*	15.9* 15.9*	13.7* 13.7*	11.7* 11.7*	9.5* 9.5*						11.5* 11.5*	12.8
-3.0	4 pt. outriggers down	15.5* 15.5*	23.2* 23.2*	19.9* 19.9*	17.0* 17.0*	14.6* 14.6*	12.4* 12.4*	10.3* 10.3*								
-4.5	4 pt. outriggers down		17.0* 17.0*	14.7* 14.7*	12.6* 12.6*											
-6.0	4 pt. outriggers down															

Height Can be slewed through 360° In longitudinal position of undercarriage Max. reach \* Limited by hydr. capacity

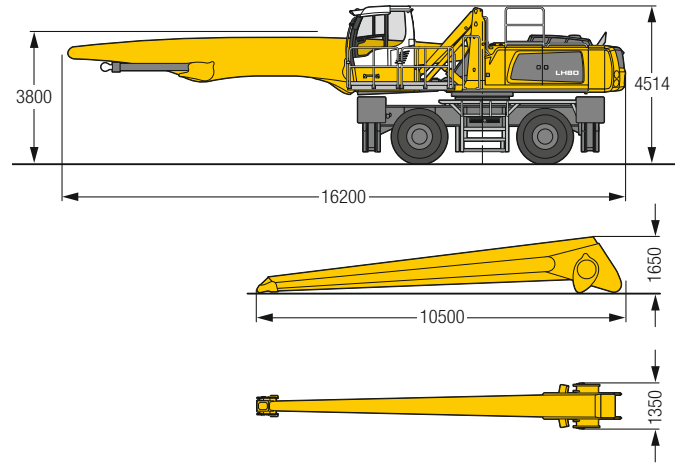
The lift capacities on the stick end without attachment are stated in metric tons (t) and are valid on a firm, level supporting surface with blocked oscillating axle. These capacities can be slewed through 360° with the undercarriage in the transverse position. Capacities in the longitudinal position of the undercarriage (±15°) are specified over the rigid axle with the stabilizers down. Indicated loads based on the ISO 10567 standard and do not exceed 75% of tipping or 87% of hydraulic capacity. The lift capacity values indicated are attained at the corresponding operating temperature. This operating temperature is ensured by continuous movement of the boom. Weights of fitted attachments (grabs, load hooks, etc.) and load accommodation attachment are to be deducted from the lift capacity values. The lift capacity of the unit is limited by its stability, the lifting capability of the hydraulic elements, or the maximum permissible lifting capacity of the load hook. In accordance with the harmonised European Standard EN 474-5, hydraulic excavators used for lifting operations must be equipped with pipe fracture safety valves, an overload warning device, a load hook and a lift capacity chart.

# LH 80 M – Equipment GG21

## Port – Kinematic 2A



### Dimensions



### Operating weight

The operating weight includes the basic machine with 4 point outriggers, hydr. cab elevation, 4 solid tyres, straight boom 11.50 m, straight stick 10.00 m and wood grab GMH 80 / 2.20 m<sup>2</sup>.

Weight 80,400 kg

m	Undercarriage	Reach (m)												Stick end		m		
		6.0m	7.5m	9.0m	10.5m	12.0m	13.5m	15.0m	16.5m	18.0m	19.5m	21.0m	22.5m	24.0m	13.5*		13.5*	
22.5	4 pt. outriggers down		15.2* 15.2*															8.4
21.0	4 pt. outriggers down			14.9* 14.9*	12.8* 12.8*													11.3
19.5	4 pt. outriggers down				14.5* 14.5*	12.7* 12.7*												13.4
18.0	4 pt. outriggers down				14.9* 14.9*	13.6* 13.6*	12.4* 12.4*	9.3* 9.3*										15.1
16.5	4 pt. outriggers down				14.6* 14.6*	13.4* 13.4*	12.4* 12.4*	11.6* 11.6*										16.4
15.0	4 pt. outriggers down				14.5* 14.5*	13.3* 13.3*	12.3* 12.3*	11.5* 11.5*	10.8* 10.8*									17.5
13.5	4 pt. outriggers down				14.5* 14.5*	13.3* 13.3*	12.3* 12.3*	11.4* 11.4*	10.7* 10.7*	9.5* 9.5*								18.5
12.0	4 pt. outriggers down				14.7* 14.7*	13.4* 13.4*	12.3* 12.3*	11.4* 11.4*	10.7* 10.7*	10.0* 10.0*								19.2
10.5	4 pt. outriggers down				15.0* 15.0*	13.6* 13.6*	12.5* 12.5*	11.5* 11.5*	10.7* 10.7*	10.0* 10.0*	9.0* 9.0*							19.9
9.0	4 pt. outriggers down			16.8* 16.8*	15.4* 15.4*	13.9* 13.9*	12.7* 12.7*	11.7* 11.7*	10.8* 10.8*	10.0* 10.0*	9.0 9.3*							20.3
7.5	4 pt. outriggers down		16.2* 16.2*	18.0* 18.0*	15.9* 15.9*	14.3* 14.3*	12.9* 12.9*	11.8* 11.8*	10.9* 10.9*	10.1* 10.1*	9.0 9.3*							20.7
6.0	4 pt. outriggers down	15.8* 15.8*	19.8* 19.8*	18.9* 18.9*	16.5* 16.5*	14.7* 14.7*	13.2* 13.2*	12.0* 12.0*	11.0* 11.0*	10.1* 10.1*	8.9 9.2*							21.0
4.5	4 pt. outriggers down	29.5* 29.5*	23.7* 23.7*	19.8* 19.8*	17.1* 17.1*	15.1* 15.1*	13.5* 13.5*	12.2* 12.2*	11.1* 11.1*	10.0 10.1*	8.7 9.2*	7.7 8.0*						21.1
3.0	4 pt. outriggers down	31.7* 31.7*	25.0* 25.0*	20.7* 20.7*	17.7* 17.7*	15.4* 15.4*	13.7* 13.7*	12.3* 12.3*	11.1* 11.1*	9.8 10.1*	8.6 9.0*	7.6 7.7*						21.2
1.5	4 pt. outriggers down	16.4* 16.4*	25.9* 25.9*	21.3* 21.3*	18.1* 18.1*	15.7* 15.7*	13.9* 13.9*	12.4* 12.4*	11.0 11.1*	9.6 9.9*	8.5 8.8*	7.2* 7.2*						21.1
0	4 pt. outriggers down	11.4* 11.4*	26.2* 26.2*	21.5* 21.5*	18.2* 18.2*	15.8* 15.8*	13.9* 13.9*	12.3* 12.3*	10.7 10.9*	9.4 9.7*	8.4* 8.4*							20.9
-1.5	4 pt. outriggers down	10.9* 10.9*	21.2* 21.2*	21.3* 21.3*	18.0* 18.0*	15.6* 15.6*	13.6* 13.6*	12.0* 12.0*	10.5 10.6*	9.2* 9.2*	7.7* 7.7*							20.5
-3.0	4 pt. outriggers down	11.6* 11.6*	19.5* 19.5*	20.4* 20.4*	17.4* 17.4*	15.0* 15.0*	13.1* 13.1*	11.4* 11.4*	9.9* 9.9*	8.4* 8.4*	6.5* 6.5*							19.6
-4.5	4 pt. outriggers down	12.8* 12.8*	19.6* 19.6*	18.7* 18.7*	16.1* 16.1*	14.0* 14.0*	12.1* 12.1*	10.5* 10.5*	8.9* 8.9*	7.1* 7.1*								18.1
-6.0	4 pt. outriggers down		16.2* 16.2*	14.2* 14.2*	12.3* 12.3*	10.6* 10.6*	9.0* 9.0*											15.6

Height Can be slewed through 360° In longitudinal position of undercarriage Max. reach \* Limited by hydr. capacity

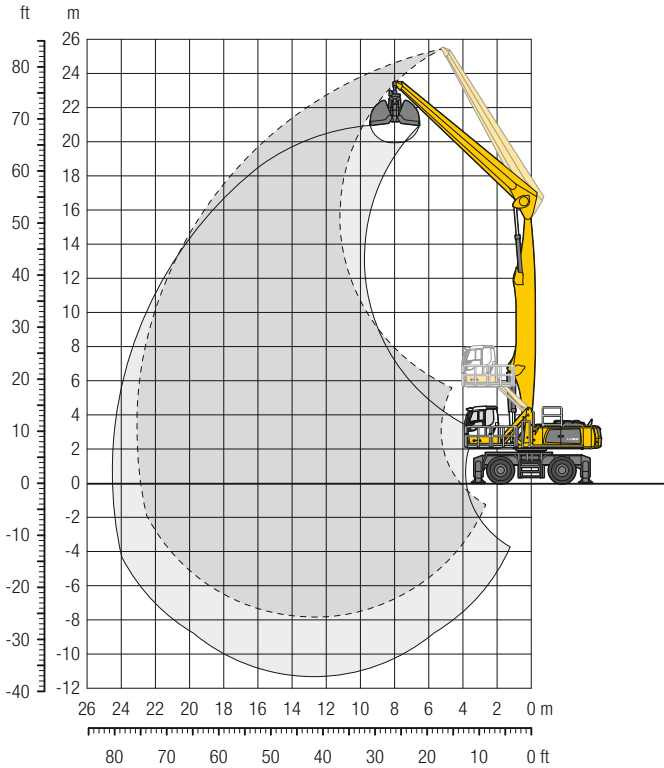
The lift capacities on the stick end without attachment are stated in metric tons (t) and are valid on a firm, level supporting surface with blocked oscillating axle. These capacities can be slewed through 360° with the undercarriage in the transverse position. Capacities in the longitudinal position of the undercarriage (±15°) are specified over the rigid axle with the stabilizers down. Indicated loads based on the ISO 10567 standard and do not exceed 75% of tipping or 87% of hydraulic capacity. The lift capacity values indicated are attained at the corresponding operating temperature. This operating temperature is ensured by continuous movement of the boom. Weights of fitted attachments (grabs, load hooks, etc.) and load accommodation attachment are to be deducted from the lift capacity values. The lift capacity of the unit is limited by its stability, the lifting capability of the hydraulic elements, or the maximum permissible lifting capacity of the load hook.

In accordance with the harmonised European Standard EN 474-5, hydraulic excavators used for lifting operations must be equipped with pipe fracture safety valves, an overload warning device, a load hook and a lift capacity chart.

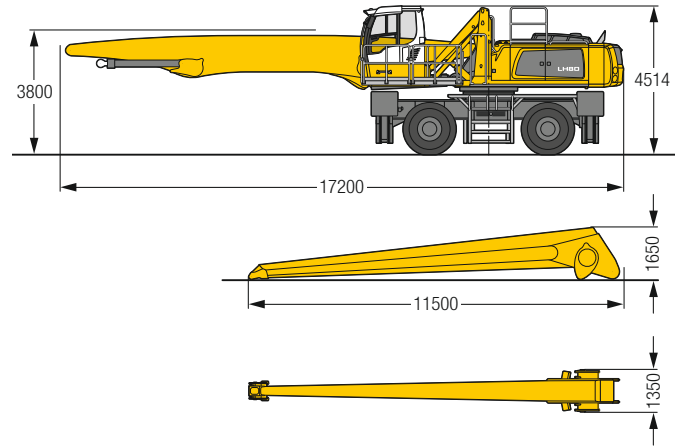


# LH 80 M – Equipment GG23

## Port – Kinematic 2A



### Dimensions



### Operating weight

The operating weight includes the basic machine with 4 point outriggers, hydr. cab elevation, 4 solid tyres, straight boom 12.50m, straight stick 11.00m and grab for loose material GMZ 80 / 6.00 m<sup>3</sup>.

Weight 82,200 kg

m	Undercarriage	Reach (m)												m							
		6.0m	7.5m	9.0m	10.5m	12.0m	13.5m	15.0m	16.5m	18.0m	19.5m	21.0m	22.5m	24.0m	15.4*	15.4*	5.8				
25.5	4 pt. outriggers down																		11.1*	11.1*	10.0
24.0	4 pt. outriggers down		14.8* 14.8*	12.9* 12.9*															9.4*	9.4*	12.7
22.5	4 pt. outriggers down			14.2* 14.2*	12.8* 12.8*	10.8* 10.8*													8.4*	8.4*	14.8
21.0	4 pt. outriggers down				13.7* 13.7*	12.5* 12.5*	10.8* 10.8*												7.8*	7.8*	16.4
19.5	4 pt. outriggers down					12.9* 12.9*	11.9* 11.9*	10.6* 10.6*											7.3*	7.3*	17.8
18.0	4 pt. outriggers down					12.7* 12.7*	11.7* 11.7*	10.8* 10.8*	10.1* 10.1*										7.0*	7.0*	19.0
16.5	4 pt. outriggers down					12.6* 12.6*	11.6* 11.6*	10.7* 10.7*	10.0* 10.0*	9.3* 9.3*									6.7*	6.7*	19.9
15.0	4 pt. outriggers down					12.6* 12.6*	11.6* 11.6*	10.7* 10.7*	9.9* 9.9*	9.3* 9.3*	8.1* 8.1*								6.6*	6.6*	20.8
13.5	4 pt. outriggers down					12.7* 12.7*	11.6* 11.6*	10.7* 10.7*	9.9* 9.9*	9.3* 9.3*	8.7* 8.7*								6.5*	6.5*	21.5
12.0	4 pt. outriggers down					12.8* 12.8*	11.7* 11.7*	10.8* 10.8*	10.0* 10.0*	9.3* 9.3*	8.7* 8.7*	7.9* 7.9*							6.4*	6.4*	22.0
10.5	4 pt. outriggers down				14.5* 14.5*	13.0* 13.0*	11.9* 11.9*	10.9* 10.9*	10.0* 10.0*	9.3* 9.3*	8.7* 8.7*	7.9 8.1*							6.3*	6.3*	22.5
9.0	4 pt. outriggers down			14.7* 14.7*	14.9* 14.9*	13.3* 13.3*	12.1* 12.1*	11.0* 11.0*	10.1* 10.1*	9.4* 9.4*	8.7* 8.7*	7.9 8.0*							6.3*	6.3*	22.8
7.5	4 pt. outriggers down		13.8* 13.8*	16.2* 16.2*	15.3* 15.3*	13.6* 13.6*	12.3* 12.3*	11.2* 11.2*	10.2* 10.2*	9.4* 9.4*	8.7* 8.7*	7.8 8.0*	6.8 7.2*						6.4*	6.4*	23.0
6.0	4 pt. outriggers down	13.2* 13.2*	17.1* 17.1*	18.3* 18.3*	15.9* 15.9*	14.0* 14.0*	12.5* 12.5*	11.3* 11.3*	10.4* 10.4*	9.5* 9.5*	8.7* 8.7*	7.7 8.0*	6.7 7.2*						6.3*	6.3*	23.2
4.5	4 pt. outriggers down	26.6* 26.6*	22.9* 22.9*	19.1* 19.1*	16.4* 16.4*	14.4* 14.4*	12.8* 12.8*	11.5* 11.5*	10.4* 10.4*	9.5* 9.5*	8.6 8.7*	7.5 7.9*	6.7 7.0*						6.1*	6.1*	23.2
3.0	4 pt. outriggers down	30.5* 30.5*	24.0* 24.0*	19.8* 19.8*	16.8* 16.8*	14.7* 14.7*	13.0* 13.0*	11.6* 11.6*	10.5* 10.5*	9.5* 9.5*	8.4 8.7*	7.4 7.8*	6.6 6.8*						5.8*	5.8*	23.1
1.5	4 pt. outriggers down	11.8* 11.8*	24.7* 24.7*	20.3* 20.3*	17.2* 17.2*	14.9* 14.9*	13.1* 13.1*	11.7* 11.7*	10.5* 10.5*	9.3 9.5*	8.2 8.6*	7.3 7.6*	6.5* 6.5*						5.3*	5.3*	23.0
0	4 pt. outriggers down	8.4* 8.4*	20.0* 20.0*	20.5* 20.5*	17.3* 17.3*	15.0* 15.0*	13.1* 13.1*	11.7* 11.7*	10.4 10.4*	9.1 9.3*	8.1 8.3*	7.2 7.3*	6.0* 6.0*						6.1*	6.1*	22.7
-1.5	4 pt. outriggers down	8.2* 8.2*	15.6* 15.6*	20.2* 20.2*	17.2* 17.2*	14.8* 14.8*	13.0* 13.0*	11.5* 11.5*	10.1 10.2*	8.9 9.1*	7.9 8.0*	6.8* 6.8*	5.1* 5.1*						5.1*	5.1*	21.8
-3.0	4 pt. outriggers down	8.8* 8.8*	14.5* 14.5*	19.5* 19.5*	16.6* 16.6*	14.4* 14.4*	12.6* 12.6*	11.1* 11.1*	9.8* 9.8*	8.6* 8.6*	7.4* 7.4*	6.1* 6.1*							5.5*	5.5*	20.6
-4.5	4 pt. outriggers down	9.8* 9.8*	14.7* 14.7*	18.1* 18.1*	15.6* 15.6*	13.6* 13.6*	11.9* 11.9*	10.4* 10.4*	9.1* 9.1*	7.9* 7.9*	6.6* 6.6*								6.1*	6.1*	18.7
-6.0	4 pt. outriggers down		15.5* 15.5*	16.1* 16.1*															7.8*	7.8*	15.1
-7.5	4 pt. outriggers down				11.9* 11.9*	10.6* 10.6*	9.2* 9.2*	7.9* 7.9*													

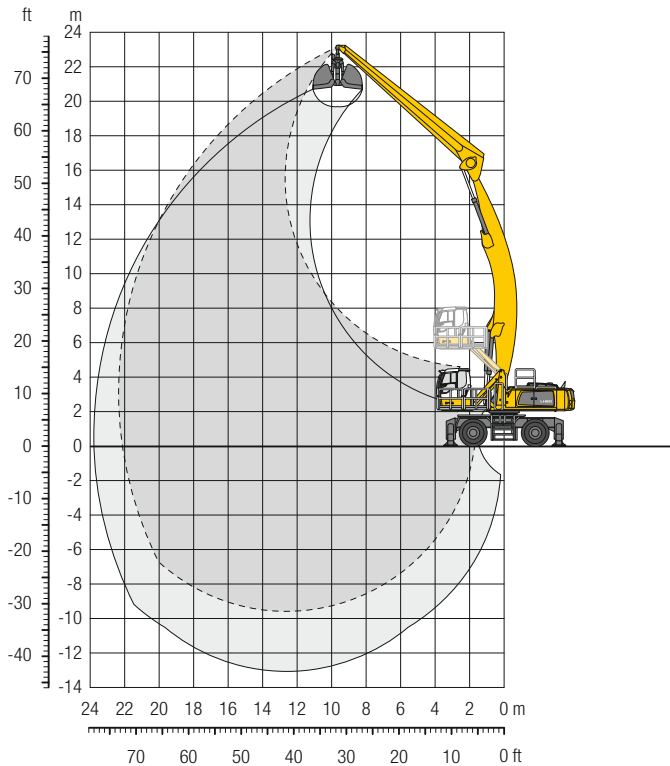
Height Can be slewed through 360° In longitudinal position of undercarriage Max. reach \* Limited by hydr. capacity

The lift capacities on the stick end without attachment are stated in metric tons (t) and are valid on a firm, level supporting surface with blocked oscillating axle. These capacities can be slewed through 360° with the undercarriage in the transverse position. Capacities in the longitudinal position of the undercarriage (±15°) are specified over the rigid axle with the stabilizers down. Indicated loads based on the ISO 10567 standard and do not exceed 75% of tipping or 87% of hydraulic capacity. The lift capacity values indicated are attained at the corresponding operating temperature. This operating temperature is ensured by continuous movement of the boom. Weights of fitted attachments (grabs, load hooks, etc.) and load accommodation attachment are to be deducted from the lift capacity values. The lift capacity of the unit is limited by its stability, the lifting capability of the hydraulic elements, or the maximum permissible lifting capacity of the load hook.

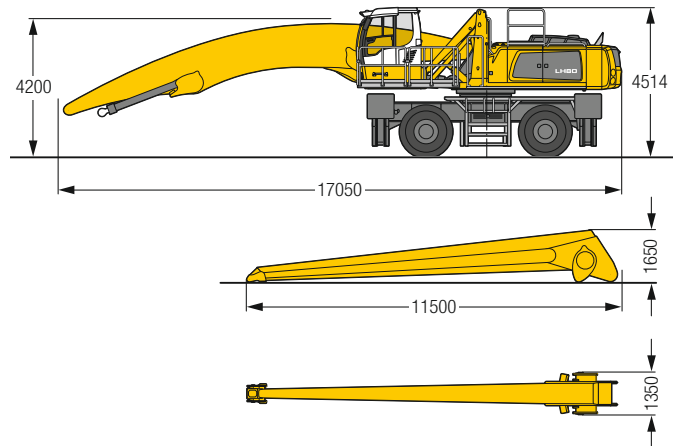
In accordance with the harmonised European Standard EN 474-5, hydraulic excavators used for lifting operations must be equipped with pipe fracture safety valves, an overload warning device, a load hook and a lift capacity chart.

# LH 80 M – Equipment AG22

## Port – Kinematic 2D



### Dimensions



### Operating weight

The operating weight includes the basic machine with 4 point outriggers, hydr. cab elevation, 4 solid tyres, angled boom 12.50 m, straight stick 11.00 m and grab for loose material GMZ 80 / 6.00 m<sup>3</sup>.

Weight 82,800 kg

m	Undercarriage	Reach (m)												Max. reach		m						
		6.0m	7.5m	9.0m	10.5m	12.0m	13.5m	15.0m	16.5m	18.0m	19.5m	21.0m	22.5m	24.0m	Can be slewed through 360°		In longitudinal position of undercarriage					
24.0	4 pt. outriggers down																					
22.5	4 pt. outriggers down				10.1*	10.1*													9.2*	9.2*	11.1	
21.0	4 pt. outriggers down					10.2*	10.2*												8.3*	8.3*	13.4	
19.5	4 pt. outriggers down					10.7*	10.7*	10.0*	10.0*	8.1*	8.1*								7.8*	7.8*	15.2	
18.0	4 pt. outriggers down							9.8*	9.8*	9.2*	9.2*	7.8*	7.8*						7.4*	7.4*	16.7	
16.5	4 pt. outriggers down							9.7*	9.7*	9.1*	9.1*	8.6*	8.6*						7.1*	7.1*	17.9	
15.0	4 pt. outriggers down							9.6*	9.6*	9.0*	9.0*	8.5*	8.5*	8.1*	8.1*				7.0*	7.0*	19.0	
13.5	4 pt. outriggers down							9.7*	9.7*	9.1*	9.1*	8.5*	8.5*	8.1*	8.1*	7.6*	7.6*		6.9*	6.9*	19.8	
12.0	4 pt. outriggers down							9.8*	9.8*	9.1*	9.1*	8.6*	8.6*	8.1*	8.1*	7.7*	7.7*		6.8*	6.8*	20.5	
10.5	4 pt. outriggers down					10.8*	10.8*	10.0*	10.0*	9.3*	9.3*	8.7*	8.7*	8.2*	8.2*	7.8*	7.8*	7.1*	7.1*		21.1	
9.0	4 pt. outriggers down				12.3*	12.3*	11.2*	11.2*	10.2*	10.2*	9.5*	9.5*	8.8*	8.8*	8.3*	8.3*	7.8*	7.8*	7.4*	7.4*	21.6	
7.5	4 pt. outriggers down				12.9*	12.9*	11.6*	11.6*	10.5*	10.5*	9.7*	9.7*	9.0*	9.0*	8.4*	8.4*	7.9*	7.9*	7.5*	7.5*	21.9	
6.0	4 pt. outriggers down		18.1*	18.1*	15.4*	15.4*	13.5*	13.5*	12.0*	12.0*	10.9*	10.9*	10.0*	10.0*	9.2*	9.2*	8.6*	8.6*	8.0*	8.0*	22.2	
4.5	4 pt. outriggers down	24.4*	24.4*	19.6*	19.6*	16.4*	16.4*	14.2*	14.2*	12.5*	12.5*	11.3*	11.3*	10.2*	10.2*	9.4*	9.4*	8.7*	8.7*	8.1*	8.1*	22.3
3.0	4 pt. outriggers down	26.8*	26.8*	21.1*	21.1*	17.4*	17.4*	14.9*	14.9*	13.0*	13.0*	11.6*	11.6*	10.5*	10.5*	9.6*	9.6*	8.9*	8.9*	8.2*	8.2*	22.4
1.5	4 pt. outriggers down	19.3*	19.3*	22.4*	22.4*	18.3*	18.3*	15.5*	15.5*	13.5*	13.5*	12.0*	12.0*	10.8*	10.8*	9.8*	9.8*	9.0*	9.0*	8.3*	8.3*	22.3
0	4 pt. outriggers down	13.0*	13.0*	23.3*	23.3*	19.0*	19.0*	16.1*	16.1*	13.9*	13.9*	12.3*	12.3*	11.0*	11.0*	10.0*	10.0*	9.1*	9.1*	8.1*	8.3*	22.1
-1.5	4 pt. outriggers down	11.6*	11.6*	19.8*	19.8*	19.5*	19.5*	16.4*	16.4*	14.2*	14.2*	12.5*	12.5*	11.1*	11.1*	10.0*	10.0*	9.0*	9.1*	8.0*	8.3*	21.8
-3.0	4 pt. outriggers down	11.5*	11.5*	17.6*	17.6*	19.6*	19.6*	16.6*	16.6*	14.3*	14.3*	12.6*	12.6*	11.2*	11.2*	10.0*	10.0*	8.8*	9.1*	7.8*	8.2*	21.5
-4.5	4 pt. outriggers down	11.9*	11.9*	17.0*	17.0*	19.4*	19.4*	16.5*	16.5*	14.2*	14.2*	12.5*	12.5*	11.1*	11.1*	9.8*	9.9*	8.7*	8.8*	7.8*	7.8*	21.0
-6.0	4 pt. outriggers down	12.6*	12.6*	17.1*	17.1*	18.7*	18.7*	16.0*	16.0*	13.9*	13.9*	12.2*	12.2*	10.8*	10.8*	9.5*	9.5*	8.4*	8.4*	7.3*	7.3*	20.3
-7.5	4 pt. outriggers down		17.6*	17.6*	17.5*	17.5*	15.1*	15.1*	13.2*	13.2*	11.5*	11.5*	10.2*	10.2*	8.9*	8.9*	7.7*	7.7*			18.9	
-9.0	4 pt. outriggers down				13.7*	13.7*	12.0*	12.0*	10.5*	10.5*	9.1*	9.1*							8.4*	8.4*	15.9	

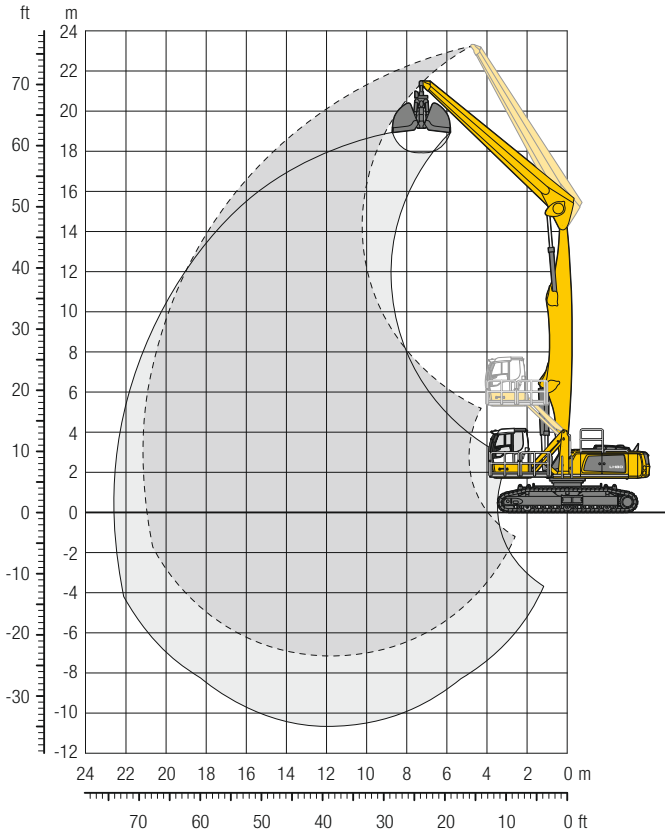
Height Can be slewed through 360° In longitudinal position of undercarriage Max. reach \* Limited by hydr. capacity

The lift capacities on the stick end without attachment are stated in metric tons (t) and are valid on a firm, level supporting surface with blocked oscillating axle. These capacities can be slewed through 360° with the undercarriage in the transverse position. Capacities in the longitudinal position of the undercarriage (±15°) are specified over the rigid axle with the stabilizers down. Indicated loads based on the ISO 10567 standard and do not exceed 75% of tipping or 87% of hydraulic capacity. The lift capacity values indicated are attained at the corresponding operating temperature. This operating temperature is ensured by continuous movement of the boom. Weights of fitted attachments (grabs, load hooks, etc.) and load accommodation attachment are to be deducted from the lift capacity values. The lift capacity of the unit is limited by its stability, the lifting capability of the hydraulic elements, or the maximum permissible lifting capacity of the load hook.

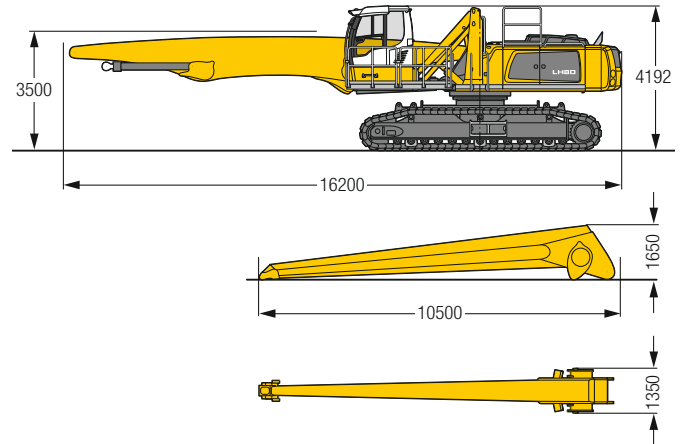
In accordance with the harmonised European Standard EN 474-5, hydraulic excavators used for lifting operations must be equipped with pipe fracture safety valves, an overload warning device, a load hook and a lift capacity chart.

# LH 80 C SW – Equipment GG21

## Port – Kinematic 2A



### Dimensions



### Operating weight and ground pressure

The operating weight includes the basic machine with hydr. cab elevation, straight boom 11.50m, straight stick 10.00m and grab for loose material GMZ 80 / 6.00m<sup>3</sup>.

Weight	85,600 kg
Pad width	750 mm
Ground pressure	on request

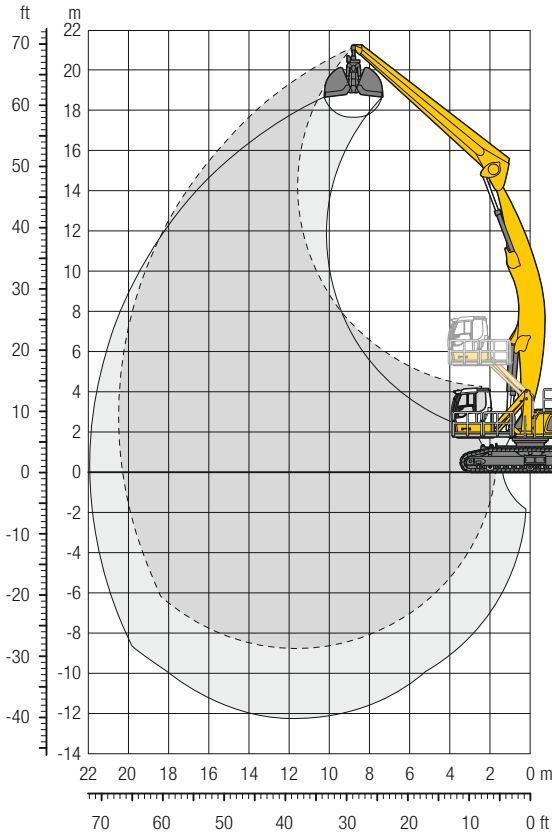
m	Undercarriage	6.0m	7.5m	9.0m	10.5m	12.0m	13.5m	15.0m	16.5m	18.0m	19.5m	21.0m	22.5m	24.0m	m	
22.5	SW	17.1* 17.1*													14.7* 14.7*	7.3
21.0	SW			14.5* 14.5*	11.8* 11.8*										11.6* 11.6*	10.6
19.5	SW			15.6* 15.6*	14.2* 14.2*	12.1* 12.1*									10.2* 10.2*	12.9
18.0	SW				15.0* 15.0*	13.7* 13.7*	11.8* 11.8*								9.3* 9.3*	14.6
16.5	SW				14.7* 14.7*	13.4* 13.4*	12.4* 12.4*	11.3* 11.3*							8.7* 8.7*	16.1
15.0	SW				14.5* 14.5*	13.3* 13.3*	12.3* 12.3*	11.5* 11.5*	10.4* 10.4*						8.3* 8.3*	17.2
13.5	SW				14.5* 14.5*	13.3* 13.3*	12.3* 12.3*	11.4* 11.4*	10.7* 10.7*	8.8* 8.8*					8.0* 8.0*	18.2
12.0	SW				14.6* 14.6*	13.4* 13.4*	12.3* 12.3*	11.4* 11.4*	10.7* 10.7*	9.8* 10.0*					7.8* 7.8*	19.0
10.5	SW				14.9* 14.9*	13.5* 13.5*	12.4* 12.4*	11.5* 11.5*	10.7* 10.7*	9.8* 10.0*	8.4* 8.5*				7.7* 7.7*	19.7
9.0	SW			16.6* 16.6*	15.3* 15.3*	13.8* 13.8*	12.6* 12.6*	11.6* 11.6*	10.8* 10.8*	9.7* 10.0*	8.4* 9.3*				7.7* 7.7*	20.2
7.5	SW			17.8* 17.8*	15.8* 15.8*	14.2* 14.2*	12.9* 12.9*	11.8* 11.8*	10.9* 10.9*	9.6* 10.1*	8.3* 9.3*				7.4* 7.6*	20.6
6.0	SW	14.6* 14.6*	18.4* 18.4*	18.7* 18.7*	16.3* 16.3*	14.6* 14.6*	13.1* 13.1*	12.0* 12.0*	10.9* 11.0*	9.4* 10.1*	8.2* 9.3*				7.2* 7.7*	20.9
4.5	SW	23.1* 23.1*	23.3* 23.3*	19.6* 19.6*	16.9* 16.9*	15.0* 15.0*	13.4* 13.4*	12.1* 12.1*	10.7* 11.1*	9.3* 10.1*	8.1* 9.2*	7.1* 8.0*			7.1* 7.7*	21.1
3.0	SW	31.2* 31.2*	24.7* 24.7*	20.5* 20.5*	17.5* 17.5*	15.4* 15.4*	13.7* 13.7*	12.1* 12.3*	10.4* 11.1*	9.1* 10.1*	8.0* 9.1*	7.0* 7.8*			7.0* 7.6*	21.2
-1.5	SW	20.7* 20.7*	25.7* 25.7*	21.2* 21.2*	18.0* 18.0*	15.6* 15.6*	13.7* 13.8*	11.7* 12.4*	10.1* 11.1*	8.9* 10.0*	7.8* 8.9*	7.0* 7.4*			6.9* 7.2*	21.1
0	SW	12.1* 12.1*	26.2* 26.2*	21.5* 21.5*	18.2* 18.2*	15.7* 15.8*	13.3* 13.9*	11.4* 12.3*	9.9* 11.0*	8.7* 9.8*	7.7* 8.5*				6.7* 6.7*	21.0
-1.5	SW	10.8* 10.8*	22.4* 22.4*	21.4* 21.4*	18.1* 18.1*	15.2* 15.7*	12.9* 13.7*	11.1* 12.1*	9.7* 10.7*	8.6* 9.4*	7.7* 7.9*				6.1* 6.1*	20.7
-3.0	SW	11.3* 11.3*	19.7* 19.7*	20.7* 20.7*	17.6* 17.6*	14.8* 15.2*	12.6* 13.3*	10.9* 11.6*	9.6* 10.1*	8.5* 8.7*	6.9* 6.9*				6.3* 6.3*	19.9
-4.5	SW	12.4* 12.4*	19.4* 19.4*	19.3* 19.3*	16.5* 16.5*	14.3* 14.3*	12.4* 12.4*	10.8* 10.8*	9.2* 9.2*	7.6* 7.6*					6.8* 6.8*	18.6
-6.0	SW		19.5* 19.5*	17.0* 17.0*	14.8* 14.8*	12.9* 12.9*	11.1* 11.1*	9.5* 9.5*							7.9* 7.9*	16.5

Height Can be slewed through 360° In longitudinal position of undercarriage Max. reach \* Limited by hydr. capacity

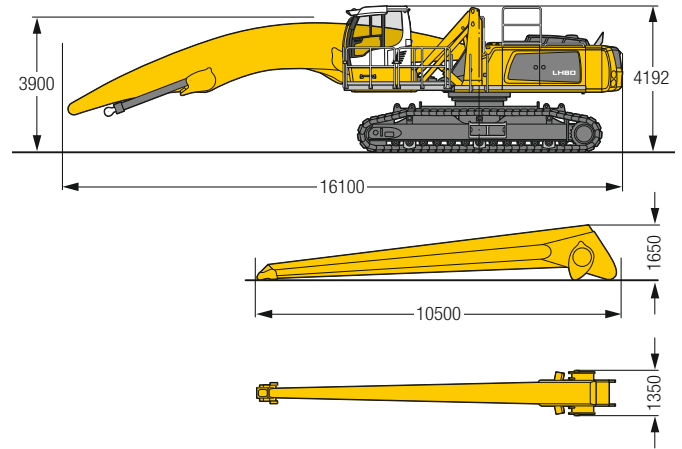
The lift capacities on the stick end without attachment are stated in metric tons (t) and can be slewed through 360° on a firm, level supporting surface. Capacities are valid for 750 mm wide flat pads. Indicated loads based on the ISO 10567 standard and do not exceed 75% of tipping or 87% of hydraulic capacity. The lift capacity values indicated are attained at the corresponding operating temperature. This operating temperature is ensured by continuous movement of the boom. Weights of fitted attachments (grabs, load hooks, etc.) and load accommodation attachment are to be deducted from the lift capacity values. The lift capacity of the unit is limited by its stability, the lifting capability of the hydraulic elements, or the maximum permissible lifting capacity of the load hook. In accordance with the harmonised European Standard EN 474-5, hydraulic excavators used for lifting operations must be equipped with pipe fracture safety valves, an overload warning device, a load hook and a lift capacity chart.

# LH 80 C SW – Equipment AG21

## Port – Kinematic 2D



### Dimensions



### Operating weight and ground pressure

The operating weight includes the basic machine with hydr. cab elevation, angled boom 11.50m, straight stick 10.00m and grab for loose material GMZ 80 / 6.00m<sup>3</sup>.

Weight	86,300 kg
Pad width	750 mm
Ground pressure	on request

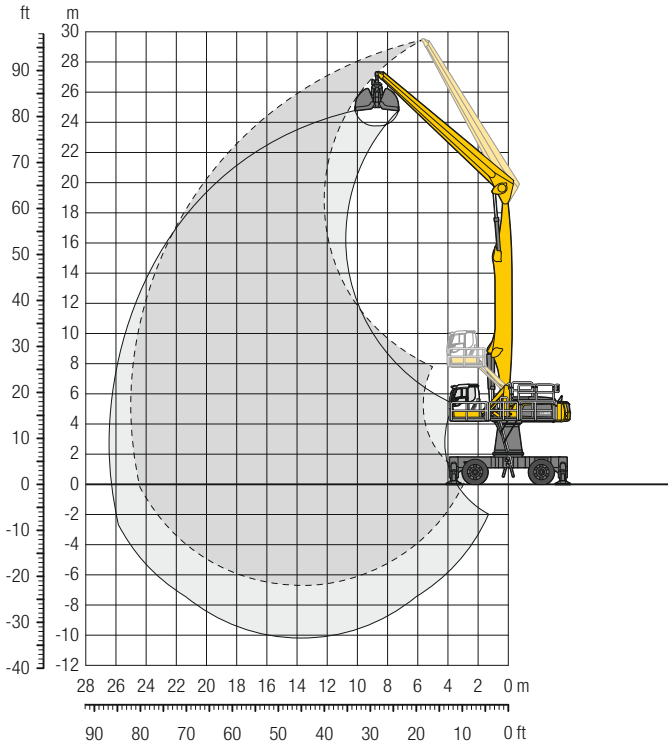
m	Undercarriage	Stick length (m)														m	
		6.0m	7.5m	9.0m	10.5m	12.0m	13.5m	15.0m	16.5m	18.0m	19.5m	21.0m	22.5m	24.0m			
21.0	SW			11.2° 11.2°												10.9° 10.9°	9.2
19.5	SW				11.5° 11.5°											9.6° 9.6°	11.7
18.0	SW					11.5° 11.5°	9.1° 9.1°									8.8° 8.8°	13.6
16.5	SW					11.2° 11.2°	10.6° 10.6°	8.7° 8.7°								8.3° 8.3°	15.2
15.0	SW					11.1° 11.1°	10.4° 10.4°	9.9° 9.9°								8.0° 8.0°	16.4
13.5	SW					11.1° 11.1°	10.4° 10.4°	9.8° 9.8°	9.4° 9.4°							7.8° 7.8°	17.4
12.0	SW					11.1° 11.1°	10.4° 10.4°	9.9° 9.9°	9.4° 9.4°	8.5° 8.5°						7.7° 7.7°	18.3
10.5	SW					11.4° 11.4°	10.6° 10.6°	10.0° 10.0°	9.4° 9.4°	9.0° 9.0°						7.6° 7.6°	19.0
9.0	SW				12.7° 12.7°	11.7° 11.7°	10.8° 10.8°	10.1° 10.1°	9.6° 9.6°	9.1° 9.1°	7.7° 7.7°					7.7° 7.7°	19.5
7.5	SW			14.8° 14.8°	13.3° 13.3°	12.1° 12.1°	11.1° 11.1°	10.4° 10.4°	9.7° 9.7°	9.2° 9.2°	8.4 8.7°					7.7° 7.7°	19.9
6.0	SW		18.2° 18.2°	15.8° 15.8°	14.0° 14.0°	12.6° 12.6°	11.5° 11.5°	10.6° 10.6°	9.9° 9.9°	9.3° 9.3°	8.3 8.8°					7.8 7.8°	20.2
4.5	SW	24.4° 24.4°	19.9° 19.9°	16.9° 16.9°	14.7° 14.7°	13.2° 13.2°	11.9° 11.9°	10.9° 10.9°	10.1° 10.1°	9.4 9.4°	8.2 8.8°					7.5 8.0°	20.4
3.0	SW	27.3° 27.3°	21.6° 21.6°	18.0° 18.0°	15.5° 15.5°	13.7° 13.7°	12.3° 12.3°	11.2° 11.2°	10.3° 10.3°	9.2 9.6°	8.1 8.9°					7.4 8.2°	20.5
1.5	SW	29.8° 29.8°	23.2° 23.2°	19.1° 19.1°	16.3° 16.3°	14.3° 14.3°	12.7° 12.7°	11.5° 11.5°	10.3 10.5°	9.0 9.7°	7.9 8.9°					7.3 8.4°	20.5
0	SW	17.7° 17.7°	24.5° 24.5°	20.0° 20.0°	17.0° 17.0°	14.8° 14.8°	13.1° 13.1°	11.6 11.8°	10.0 10.7°	8.8 9.8°	7.8 8.9°					7.3 8.4°	20.3
-1.5	SW	14.8° 14.8°	25.2° 25.2°	20.6° 20.6°	17.4° 17.4°	15.1° 15.1°	13.0 13.3°	11.2 11.9°	9.8 10.8°	8.6 9.7°	7.7 8.7°					7.4 8.3°	20.0
-3.0	SW	14.3° 14.3°	23.2° 23.2°	20.9° 20.9°	17.6° 17.6°	14.9 15.3°	12.7 13.4°	11.0 11.9°	9.6 10.7°	8.5 9.6°	7.6 8.4°					7.5 8.2°	19.6
-4.5	SW	14.6° 14.6°	21.8° 21.8°	20.6° 20.6°	17.5° 17.5°	14.6 15.2°	12.4 13.3°	10.8 11.8°	9.5 10.4°	8.4 9.1°						7.8 8.1°	19.1
-6.0	SW	15.4° 15.4°	21.7° 21.7°	19.9° 19.9°	17.0° 17.0°	14.4 14.7°	12.3 12.9°	10.7 11.3°	9.4 9.8°	8.3° 8.3°						7.8° 7.8°	18.5
-7.5	SW		21.6° 21.6°	18.4° 18.4°	15.9° 15.9°	13.8° 13.8°	12.0° 12.0°	10.4° 10.4°	8.8° 8.8°							8.7° 8.7°	16.5

Height Can be slewed through 360° In longitudinal position of undercarriage Max. reach \* Limited by hydr. capacity

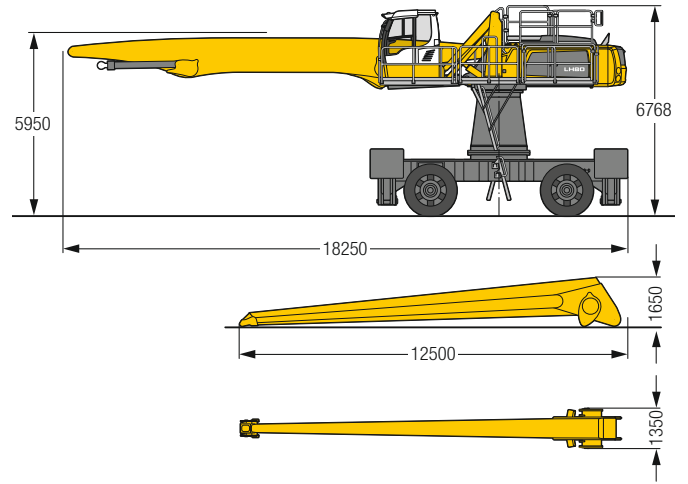
The lift capacities on the stick end without attachment are stated in metric tons (t) and can be slewed through 360° on a firm, level supporting surface. Capacities are valid for 750 mm wide flat pads. Indicated loads based on the ISO 10567 standard and do not exceed 75% of tipping or 87% of hydraulic capacity. The lift capacity values indicated are attained at the corresponding operating temperature. This operating temperature is ensured by continuous movement of the boom. Weights of fitted attachments (grabs, load hooks, etc.) and load accommodation attachment are to be deducted from the lift capacity values. The lift capacity of the unit is limited by its stability, the lifting capability of the hydraulic elements, or the maximum permissible lifting capacity of the load hook. In accordance with the harmonised European Standard EN 474-5, hydraulic excavators used for lifting operations must be equipped with pipe fracture safety valves, an overload warning device, a load hook and a lift capacity chart.

# LH 80 M HR – Equipment GG25

## Port – Kinematic 2A



### Dimensions



### Operating weight

The operating weight includes the basic machine with 4 point outriggers, turret 2,000 mm, hydr. cab elevation, 4 solid tyres, straight boom 13.50 m, straight stick 12.00 m and grab for loose material GMZ 80 / 4.00 m<sup>3</sup>.

Weight 94,000 kg

m	Undercarriage	Reach (m)												Grab		m							
		6.0m	7.5m	9.0m	10.5m	12.0m	13.5m	15.0m	16.5m	18.0m	19.5m	21.0m	22.5m	24.0m	11.6"		11.6"						
28.5	4 pt. outriggers down		13.5* 13.5*																11.6"	11.6"	9.0		
27.0	4 pt. outriggers down			13.1* 13.1*																	9.5"	9.5"	12.2
25.5	4 pt. outriggers down				12.6* 12.6*	11.5* 11.5*	10.0* 10.0*														8.4"	8.4"	14.6
24.0	4 pt. outriggers down					12.3* 12.3*	11.3* 11.3*	9.9* 9.9*	7.7* 7.7*												7.7"	7.7"	16.5
22.5	4 pt. outriggers down					12.4* 12.4*	11.3* 11.3*	10.3* 10.3*	9.6* 9.6*	7.4* 7.4*											7.2"	7.2"	18.1
21.0	4 pt. outriggers down						11.1* 11.1*	10.2* 10.2*	9.4* 9.4*	8.8* 8.8*											6.9"	6.9"	19.4
19.5	4 pt. outriggers down						11.1* 11.1*	10.2* 10.2*	9.4* 9.4*	8.7* 8.7*	8.1* 8.1*										6.6"	6.6"	20.6
18.0	4 pt. outriggers down						11.1* 11.1*	10.1* 10.1*	9.4* 9.4*	8.7* 8.7*	8.1* 8.1*	7.6* 7.6*									6.4"	6.4"	21.5
16.5	4 pt. outriggers down					12.2* 12.2*	11.1* 11.1*	10.2* 10.2*	9.4* 9.4*	8.7* 8.7*	8.1* 8.1*	7.5* 7.5*									6.3"	6.3"	22.3
15.0	4 pt. outriggers down					12.3* 12.3*	11.2* 11.2*	10.2* 10.2*	9.4* 9.4*	8.7* 8.7*	8.1* 8.1*	7.5* 7.5*	7.0* 7.0*								6.2"	6.2"	23.0
13.5	4 pt. outriggers down					12.5* 12.5*	11.3* 11.3*	10.3* 10.3*	9.5* 9.5*	8.7* 8.7*	8.1* 8.1*	7.5* 7.5*	7.0* 7.0*								6.1"	6.1"	23.6
12.0	4 pt. outriggers down				13.6* 13.6*	12.7* 12.7*	11.4* 11.4*	10.4* 10.4*	9.5* 9.5*	8.8* 8.8*	8.1* 8.1*	7.5* 7.5*	7.0* 7.0*	6.3* 6.3*							6.1"	6.1"	24.1
10.5	4 pt. outriggers down				14.6* 14.6*	13.0* 13.0*	11.6* 11.6*	10.5* 10.5*	9.6* 9.6*	8.8* 8.8*	8.2* 8.2*	7.5* 7.5*	7.0* 7.0*	6.3* 6.3*	6.1* 6.1*						6.1"	6.1"	24.5
9.0	4 pt. outriggers down		12.6* 12.6*	15.1* 15.1*	15.0* 15.0*	13.2* 13.2*	11.8* 11.8*	10.7* 10.7*	9.7* 9.7*	8.9* 8.9*	8.2* 8.2*	7.5* 7.5*	6.9* 6.9*	6.3* 6.3*	5.9* 5.9*						5.9"	5.9"	24.7
7.5	4 pt. outriggers down	13.4* 13.4*	17.3* 17.3*	18.0* 18.0*	15.5* 15.5*	13.5* 13.5*	12.0* 12.0*	10.8* 10.8*	9.8* 9.8*	9.0* 9.0*	8.2* 8.2*	7.5* 7.5*	6.9* 6.9*	6.2* 6.2*	5.6* 5.6*						5.6"	5.6"	24.9
6.0	4 pt. outriggers down	28.5* 28.5*	22.5* 22.5*	18.6* 18.6*	15.9* 15.9*	13.8* 13.8*	12.2* 12.2*	10.9* 10.9*	9.9* 9.9*	9.0* 9.0*	8.2* 8.2*	7.5* 7.5*	6.8* 6.8*	6.1* 6.1*	5.4* 5.4*						5.4"	5.4"	25.0
4.5	4 pt. outriggers down	15.2* 15.2*	23.3* 23.3*	19.1* 19.1*	16.2* 16.2*	14.0* 14.0*	12.4* 12.4*	11.0* 11.0*	9.9* 9.9*	9.0* 9.0*	8.2* 8.2*	7.4* 7.4*	6.7* 6.7*	5.9* 5.9*	5.1* 5.1*						5.1"	5.1"	25.0
3.0	4 pt. outriggers down	7.3* 7.3*	20.3* 20.3*	19.4* 19.4*	16.4* 16.4*	14.2* 14.2*	12.4* 12.4*	11.0* 11.0*	9.9* 9.9*	8.9* 8.9*	8.1* 8.1*	7.3* 7.3*	6.5* 6.5*	5.6* 5.6*	4.8* 4.8*						4.8"	4.8"	24.9
1.5	4 pt. outriggers down	6.2* 6.2*	13.1* 13.1*	19.4* 19.4*	16.4* 16.4*	14.1* 14.1*	12.4* 12.4*	11.0* 11.0*	9.8* 9.8*	8.8* 8.8*	7.9* 7.9*	7.1* 7.1*	6.2* 6.2*	5.2* 5.2*	4.4* 4.4*						4.4"	4.4"	24.7
0	4 pt. outriggers down	6.4* 6.4*	11.4* 11.4*	19.0* 19.0*	16.1* 16.1*	13.9* 13.9*	12.2* 12.2*	10.8* 10.8*	9.6* 9.6*	8.6* 8.6*	7.6* 7.6*	6.7* 6.7*	5.8* 5.8*	4.5* 4.5*	4.0* 4.0*						4.0"	4.0"	24.4
-1.5	4 pt. outriggers down	7.1* 7.1*	11.2* 11.2*	18.1* 18.1*	15.5* 15.5*	13.5* 13.5*	11.8* 11.8*	10.4* 10.4*	9.2* 9.2*	8.2* 8.2*	7.2* 7.2*	6.2* 6.2*	5.2* 5.2*								4.1"	4.1"	23.6
-3.0	4 pt. outriggers down	8.1* 8.1*	11.6* 11.6*	16.7* 16.7*	14.5* 14.5*	12.7* 12.7*	11.1* 11.1*	9.8* 9.8*	8.7* 8.7*	7.6* 7.6*	6.6* 6.6*	5.5* 5.5*									4.4"	4.4"	22.4
-4.5	4 pt. outriggers down		12.4* 12.4*	14.8* 14.8*				13.1* 13.1*	11.5* 11.5*	10.2* 10.2*	8.9* 8.9*	7.8* 7.8*	6.8* 6.8*								4.8"	4.8"	20.6
-6.0	4 pt. outriggers down				11.1* 11.1*	9.9* 9.9*	8.8* 8.8*	7.7* 7.7*	6.7* 6.7*												5.8"	5.8"	17.7

Height Can be slewed through 360° In longitudinal position of undercarriage Max. reach \* Limited by hydr. capacity

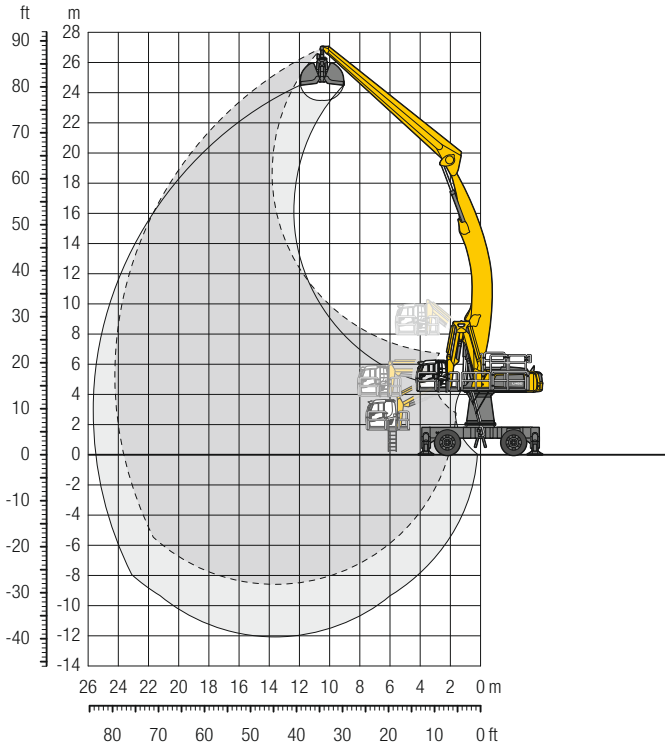
The lift capacities on the stick end without attachment are stated in metric tons (t) and are valid on a firm, level supporting surface with blocked oscillating axle. These capacities can be slewed through 360° with the undercarriage in the transverse position. Capacities in the longitudinal position of the undercarriage (±15°) are specified over the rigid axle with the stabilizers down. Indicated loads based on the ISO 10567 standard and do not exceed 75% of tipping or 87% of hydraulic capacity. The lift capacity values indicated are attained at the corresponding operating temperature. This operating temperature is ensured by continuous movement of the boom. Weights of fitted attachments (grabs, load hooks, etc.) and load accommodation attachment are to be deducted from the lift capacity values. The lift capacity of the unit is limited by its stability, the lifting capability of the hydraulic elements, or the maximum permissible lifting capacity of the load hook.

In accordance with the harmonised European Standard EN 474-5, hydraulic excavators used for lifting operations must be equipped with pipe fracture safety valves, an overload warning device, a load hook and a lift capacity chart.

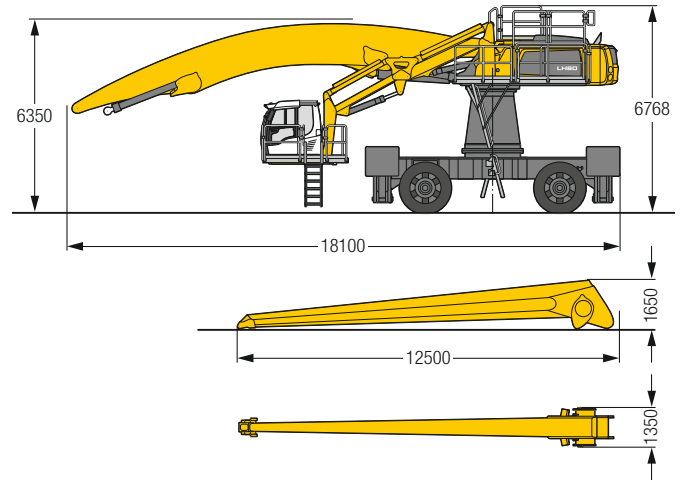


# LH 80 M HR – Equipment AG24

## Port – Kinematic 2D



### Dimensions



### Operating weight

The operating weight includes the basic machine with 4 point outriggers, turret 2,000 mm, hydr. cab elevation, 4 solid tyres, angled boom 13.50 m, straight stick 12.00 m and grab for loose material GMZ 80 / 4.00 m<sup>3</sup>.

Weight 97,300 kg

m	Undercarriage	Reach (m)												Max. reach		m														
		6.0m	7.5m	9.0m	10.5m	12.0m	13.5m	15.0m	16.5m	18.0m	19.5m	21.0m	22.5m	24.0m	13.2		15.3													
27.0	4 pt. outriggers down																	7.9*	7.9*	13.2										
25.5	4 pt. outriggers down					9.2*	9.2*												7.3*	7.3*	15.3									
24.0	4 pt. outriggers down						9.3*	9.3*	7.6*	7.6*									6.9*	6.9*	17.0									
22.5	4 pt. outriggers down							9.3*	9.3*	8.7*	8.7*	7.5*	7.5*						6.6*	6.6*	18.4									
21.0	4 pt. outriggers down								8.5*	8.5*	8.0*	8.0*	7.1*	7.1*					6.4*	6.4*	19.6									
19.5	4 pt. outriggers down								8.5*	8.5*	7.9*	7.9*	7.5*	7.5*	6.5*	6.5*			6.2*	6.2*	20.6									
18.0	4 pt. outriggers down								8.4*	8.4*	7.9*	7.9*	7.4*	7.4*	7.0*	7.0*			6.1*	6.1*	21.4									
16.5	4 pt. outriggers down								8.5*	8.5*	7.9*	7.9*	7.4*	7.4*	7.0*	7.0*	6.7*	6.7*	6.1*	6.1*	22.2									
15.0	4 pt. outriggers down							9.2*	9.2*	8.5*	8.5*	7.9*	7.9*	7.4*	7.4*	7.0*	7.0*	6.7*	6.7*	22.8										
13.5	4 pt. outriggers down							9.4*	9.4*	8.6*	8.6*	8.0*	8.0*	7.5*	7.5*	7.1*	7.1*	6.7*	6.7*	23.3										
12.0	4 pt. outriggers down					10.5*	10.5*	9.6*	9.6*	8.8*	8.8*	8.1*	8.1*	7.6*	7.6*	7.1*	7.1*	6.7*	6.7*	23.6										
10.5	4 pt. outriggers down						10.8*	10.8*	9.8*	9.8*	9.0*	9.0*	8.3*	8.3*	7.7*	7.7*	7.2*	7.2*	6.8*	6.8*	23.9									
9.0	4 pt. outriggers down								9.2*	9.2*	8.4*	8.4*	7.8*	7.8*	7.3*	7.3*	6.8*	6.8*	6.4*	6.4*	24.1									
7.5	4 pt. outriggers down		18.1*	18.1*	15.2*	15.2*	13.1*	13.1*	11.6*	11.6*	10.4*	10.4*	9.4*	9.4*	8.6*	8.6*	7.9*	7.9*	7.4*	7.4*	6.9*	6.9*	6.5*	6.5*	6.0*	6.0*	6.0*	6.0*	24.2	
6.0	4 pt. outriggers down	24.5*	24.5*	19.3*	19.3*	16.0*	16.0*	13.7*	13.7*	12.0*	12.0*	10.7*	10.7*	9.6*	9.6*	8.8*	8.8*	8.1*	8.1*	7.5*	7.5*	7.0*	7.0*	6.5*	6.5*	6.0*	6.0*	6.0*	6.0*	24.2
4.5	4 pt. outriggers down	26.3*	26.3*	20.5*	20.5*	16.8*	16.8*	14.3*	14.3*	12.4*	12.4*	11.0*	11.0*	9.9*	9.9*	9.0*	9.0*	8.2*	8.2*	7.6*	7.6*	7.0*	7.0*	6.5*	6.5*	6.0*	6.0*	5.9*	5.9*	24.2
3.0	4 pt. outriggers down	12.6*	12.6*	21.4*	21.4*	17.5*	17.5*	14.8*	14.8*	12.8*	12.8*	11.3*	11.3*	10.1*	10.1*	9.1*	9.1*	8.3*	8.3*	7.6*	7.6*	7.1*	7.1*	6.5*	6.5*	6.0*	6.0*	5.9*	5.9*	24.1
1.5	4 pt. outriggers down	9.9*	9.9*	18.0*	18.0*	18.0*	18.0*	15.2*	15.2*	13.1*	13.1*	11.5*	11.5*	10.3*	10.3*	9.2*	9.2*	8.4*	8.4*	7.7*	7.7*	7.1*	7.1*	6.5*	6.5*	6.0*	6.0*	5.9*	5.9*	23.9
0	4 pt. outriggers down	9.3*	9.3*	14.9*	14.9*	18.3*	18.3*	15.4*	15.4*	13.3*	13.3*	11.7*	11.7*	10.4*	10.4*	9.3*	9.3*	8.4*	8.4*	7.7*	7.7*	7.0*	7.0*	6.4*	6.4*	5.8*	5.8*	5.7*	5.7*	23.6
-1.5	4 pt. outriggers down	9.5*	9.5*	13.8*	13.8*	18.3*	18.3*	15.5*	15.5*	13.3*	13.3*	11.7*	11.7*	10.4*	10.4*	9.3*	9.3*	8.4*	8.4*	7.6*	7.6*	6.9*	6.9*	6.1*	6.1*	5.7*	5.7*	5.7*	5.7*	23.2
-3.0	4 pt. outriggers down	10.0*	10.0*	13.7*	13.7*	18.0*	18.0*	15.3*	15.3*	13.2*	13.2*	11.6*	11.6*	10.3*	10.3*	9.2*	9.2*	8.3*	8.3*	7.4*	7.4*	6.6*	6.6*	5.7*	5.7*	5.6*	5.6*	5.6*	5.6*	22.7
-4.5	4 pt. outriggers down	10.7*	10.7*	13.9*	13.9*	17.3*	17.3*	14.8*	14.8*	12.9*	12.9*	11.3*	11.3*	10.0*	10.0*	8.9*	8.9*	8.0*	8.0*	7.1*	7.1*	6.2*	6.2*	5.4*	5.4*	5.4*	5.4*	5.4*	5.4*	22.1
-6.0	4 pt. outriggers down	14.4*	14.4*	16.2*	16.2*	14.0*	14.0*	12.3*	12.3*	10.8*	10.8*	9.6*	9.6*	8.5*	8.5*	7.5*	7.5*	6.5*	6.5*	5.4*	5.4*	5.4*	5.4*	5.4*	5.4*	5.4*	5.4*	5.4*	5.4*	21.0
-7.5	4 pt. outriggers down			14.6*	14.6*	12.8*	12.8*	11.3*	11.3*	10.0*	10.0*	8.8*	8.8*	7.7*	7.7*	6.7*	6.7*	6.3*	6.3*	5.4*	5.4*	5.4*	5.4*	5.4*	5.4*	5.4*	5.4*	5.4*	5.4*	18.5

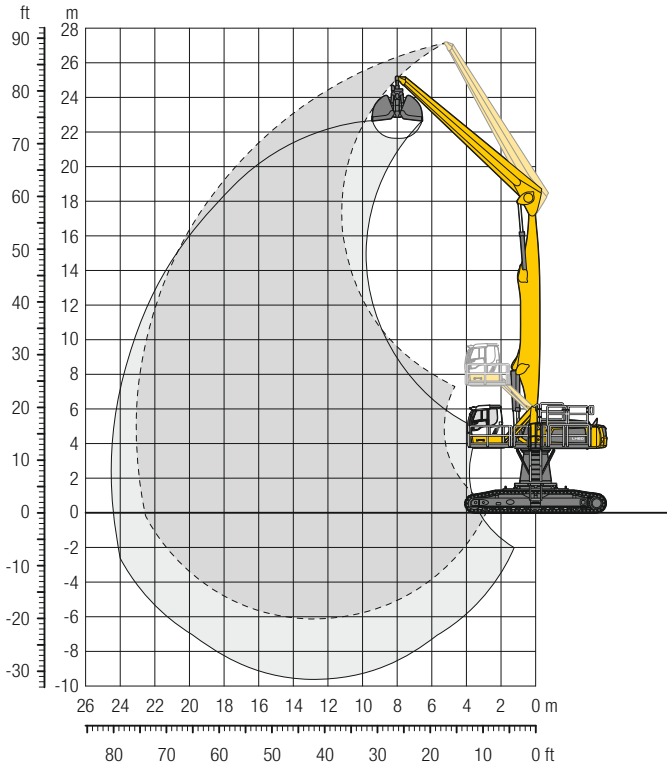
Height Can be slewed through 360° In longitudinal position of undercarriage Max. reach \* Limited by hydr. capacity

The lift capacities on the stick end without attachment are stated in metric tons (t) and are valid on a firm, level supporting surface with blocked oscillating axle. These capacities can be slewed through 360° with the undercarriage in the transverse position. Capacities in the longitudinal position of the undercarriage (±15°) are specified over the rigid axle with the stabilizers down. Indicated loads based on the ISO 10567 standard and do not exceed 75% of tipping or 87% of hydraulic capacity. The lift capacity values indicated are attained at the corresponding operating temperature. This operating temperature is ensured by continuous movement of the boom. Weights of fitted attachments (grabs, load hooks, etc.) and load accommodation attachment are to be deducted from the lift capacity values. The lift capacity of the unit is limited by its stability, the lifting capability of the hydraulic elements, or the maximum permissible lifting capacity of the load hook.

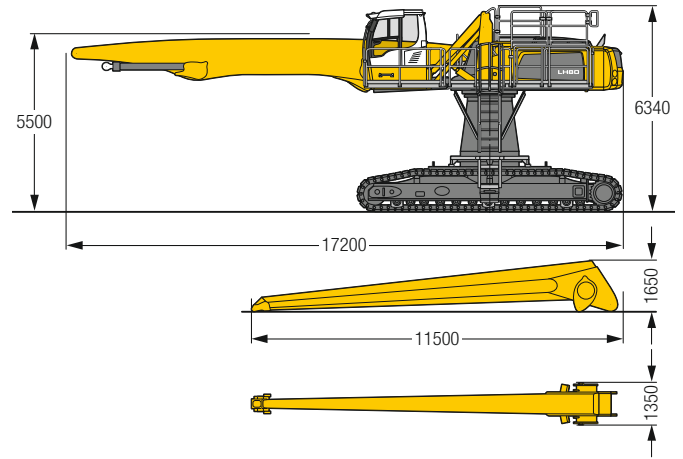
In accordance with the harmonised European Standard EN 474-5, hydraulic excavators used for lifting operations must be equipped with pipe fracture safety valves, an overload warning device, a load hook and a lift capacity chart.

# LH 80 C HR – Equipment GG23

## Port – Kinematic 2A



### Dimensions



### Operating weight and ground pressure

The operating weight includes the basic machine with turret 2,000 mm, hydr. cab elevation, straight boom 12.50 m, straight stick 11.00 m and grab for loose material GMZ 80 / 6.00 m<sup>3</sup>.

Weight	94,500 kg
Pad width	750 mm
Ground pressure	on request

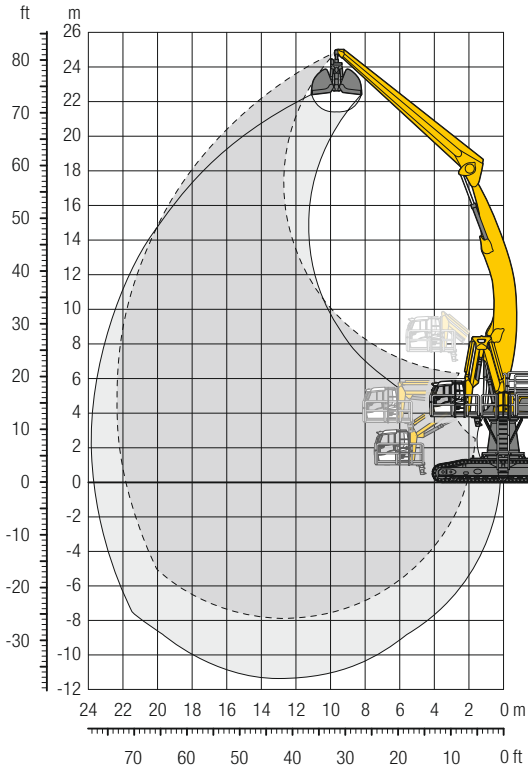
m	Undercarriage	6.0 m	7.5 m	9.0 m	10.5 m	12.0 m	13.5 m	15.0 m	16.5 m	18.0 m	19.5 m	21.0 m	22.5 m	24.0 m	m	
27.0	SW														15.6* 15.6*	5.9
25.5	SW			13.1* 13.1*											11.4* 11.4*	10.0
24.0	SW			14.3* 14.3*	12.9* 12.9*	11.0* 11.0*									9.7* 9.7*	12.7
22.5	SW				13.8* 13.8*	12.6* 12.6*	11.0* 11.0*								8.8* 8.8*	14.8
21.0	SW					12.9* 12.9*	11.8* 11.8*	10.7* 10.7*							8.1* 8.1*	16.4
19.5	SW					12.7* 12.7*	11.7* 11.7*	10.8* 10.8*	10.1* 10.1*						7.7* 7.7*	17.8
18.0	SW					12.6* 12.6*	11.6* 11.6*	10.7* 10.7*	10.0* 10.0*	9.4* 9.4*					7.4* 7.4*	18.9
16.5	SW					12.6* 12.6*	11.6* 11.6*	10.7* 10.7*	9.9* 9.9*	9.3* 9.3*	8.2* 8.2*				7.2* 7.2*	19.9
15.0	SW					12.7* 12.7*	11.6* 11.6*	10.7* 10.7*	9.9* 9.9*	9.3* 9.3*	8.7* 8.7*				7.0* 7.0*	20.7
13.5	SW					12.8* 12.8*	11.7* 11.7*	10.8* 10.8*	10.0* 10.0*	9.3* 9.3*	8.7* 8.7*	8.0* 8.0*			6.9* 6.9*	21.4
12.0	SW				14.5* 14.5*	13.1* 13.1*	11.9* 11.9*	10.9* 10.9*	10.1* 10.1*	9.3* 9.3*	8.7* 8.7*	8.1* 8.1*			6.8* 6.8*	21.9
10.5	SW			14.7* 14.7*	14.9* 14.9*	13.3* 13.3*	12.1* 12.1*	11.0* 11.0*	10.2* 10.2*	9.4* 9.4*	8.7* 8.7*	8.1* 8.1*			6.8* 6.8*	22.4
9.0	SW		14.0* 14.0*	16.4* 16.4*	15.4* 15.4*	13.7* 13.7*	12.3* 12.3*	11.2* 11.2*	10.3* 10.3*	9.5* 9.5*	8.7* 8.7*	8.0* 8.0*	7.2* 7.2*		6.8* 6.8*	22.7
7.5	SW	13.6* 13.6*	17.6* 17.6*	18.4* 18.4*	15.9* 15.9*	14.0* 14.0*	12.6* 12.6*	11.4* 11.4*	10.4* 10.4*	9.5* 9.5*	8.7* 8.7*	8.0* 8.0*	7.2* 7.2*		6.8* 6.8*	22.9
6.0	SW	28.9* 28.9*	23.0* 23.0*	19.1* 19.1*	16.4* 16.4*	14.4* 14.4*	12.8* 12.8*	11.5* 11.5*	10.5* 10.5*	9.6* 9.6*	8.7* 8.7*	7.9* 7.9*	7.0* 7.0*		6.6* 6.6*	23.1
4.5	SW	30.7* 30.7*	24.1* 24.1*	19.8* 19.8*	16.9* 16.9*	14.7* 14.7*	13.0* 13.0*	11.7* 11.7*	10.5* 10.5*	9.6* 9.6*	8.7* 8.7*	7.8* 7.8*	6.8* 6.8*		6.2* 6.2*	23.1
3.0	SW	11.2* 11.2*	24.8* 24.8*	20.3* 20.3*	17.2* 17.2*	14.9* 14.9*	13.1* 13.1*	11.7* 11.7*	10.5* 10.5*	9.5* 9.5*	8.6* 8.6*	7.6* 7.6*	6.5* 6.5*		5.9* 5.9*	23.0
1.5	SW	8.4* 8.4*	19.4* 19.4*	20.5* 20.5*	17.3* 17.3*	15.0* 15.0*	13.1* 13.1*	11.7* 11.7*	10.4* 10.4*	9.3* 9.3*	8.3* 8.3*	7.3* 7.3*	5.9* 5.9*		5.5* 5.5*	22.8
0	SW	8.2* 8.2*	15.4* 15.4*	20.2* 20.2*	17.1* 17.1*	14.8* 14.8*	13.0* 13.0*	11.5* 11.5*	10.2* 10.2*	9.0* 9.0*	8.0* 8.0*	6.8* 6.8*	5.1* 5.1*		5.0* 5.0*	22.6
-1.5	SW	8.9* 8.9*	14.5* 14.5*	19.4* 19.4*	16.6* 16.6*	14.4* 14.4*	12.6* 12.6*	11.1* 11.1*	9.8* 9.8*	8.6* 8.6*	7.4* 7.4*	6.0* 6.0*			5.1* 5.1*	21.7
-3.0	SW	9.9* 9.9*	14.8* 14.8*	18.0* 18.0*	15.5* 15.5*	13.5* 13.5*	11.8* 11.8*	10.4* 10.4*	9.1* 9.1*	7.8* 7.8*	6.5* 6.5*				5.5* 5.5*	20.4
-4.5	SW		15.6* 15.6*	15.9* 15.9*	14.0* 14.0*	12.2* 12.2*	10.7* 10.7*	9.3* 9.3*	8.0* 8.0*	6.7* 6.7*					6.2* 6.2*	18.5
-6.0	SW					10.4* 10.4*	9.1* 9.1*								8.3* 8.3*	14.5

Height Can be slewed through 360° In longitudinal position of undercarriage Max. reach \* Limited by hydr. capacity

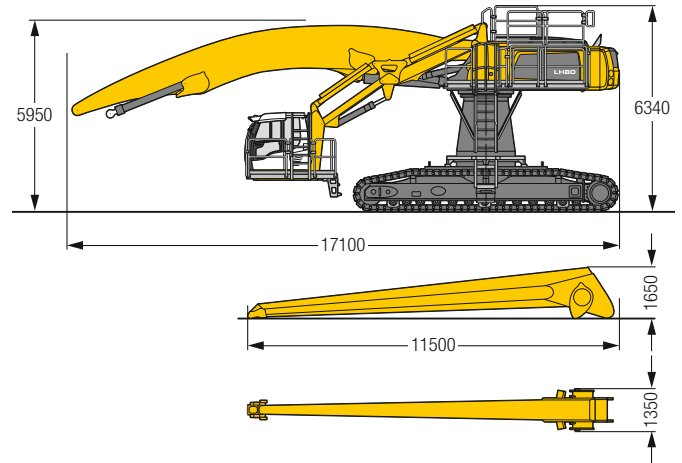
The lift capacities on the stick end without attachment are stated in metric tons (t) and can be slewed through 360° on a firm, level supporting surface. Capacities are valid for 750 mm wide flat pads. Indicated loads based on the ISO 10567 standard and do not exceed 75% of tipping or 87% of hydraulic capacity. The lift capacity values indicated are attained at the corresponding operating temperature. This operating temperature is ensured by continuous movement of the boom. Weights of fitted attachments (grabs, load hooks, etc.) and load accommodation attachment are to be deducted from the lift capacity values. The lift capacity of the unit is limited by its stability, the lifting capability of the hydraulic elements, or the maximum permissible lifting capacity of the load hook. In accordance with the harmonised European Standard EN 474-5, hydraulic excavators used for lifting operations must be equipped with pipe fracture safety valves, an overload warning device, a load hook and a lift capacity chart.

# LH 80 C HR – Equipment AG22

## Port – Kinematic 2D



### Dimensions



### Operating weight and ground pressure

The operating weight includes the basic machine with turret 2,000 mm, hydr. cab elevation, angled boom 12.50 m, straight stick 11.00 m and grab for loose material GMZ 80 / 6.00 m<sup>3</sup>.

Weight	97,700 kg
Pad width	750 mm
Ground pressure	on request

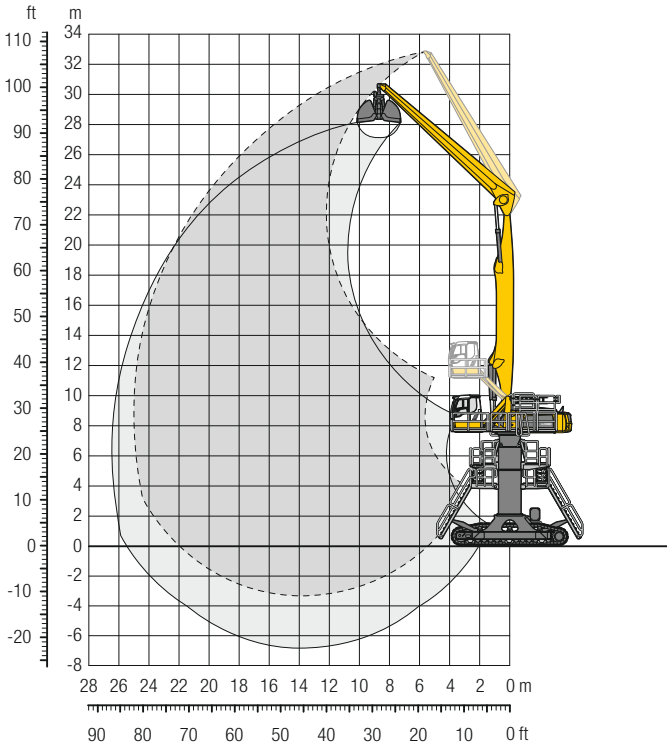
m	Undercarriage	6.0m	7.5m	9.0m	10.5m	12.0m	13.5m	15.0m	16.5m	18.0m	19.5m	21.0m	22.5m	24.0m	m
25.5	SW														
24.0	SW														
22.5	SW				10.2* 10.2*										9.1* 9.1* 11.3
21.0	SW					10.4* 10.4*	8.4* 8.4*								8.3* 8.3* 13.6
19.5	SW						10.0* 10.0*	8.3* 8.3*							7.7* 7.7* 15.4
18.0	SW						9.8* 9.8*	9.2* 9.2*	7.9* 7.9*						7.4* 7.4* 16.8
16.5	SW						9.7* 9.7*	9.1* 9.1*	8.6* 8.6*	7.2* 7.2*					7.1* 7.1* 18.0
15.0	SW						9.6* 9.6*	9.0* 9.0*	8.5* 8.5*	8.1* 8.1*					7.0* 7.0* 19.0
13.5	SW						9.7* 9.7*	9.1* 9.1*	8.5* 8.5*	8.1* 8.1*	7.7* 7.7*				6.9* 6.9* 19.9
12.0	SW						9.8* 9.8*	9.2* 9.2*	8.6* 8.6*	8.1* 8.1*	7.8* 7.8*				6.8* 6.8* 20.6
10.5	SW					10.9* 10.9*	10.0* 10.0*	9.3* 9.3*	8.7* 8.7*	8.2* 8.2*	7.8* 7.8*	7.2* 7.2*			6.8* 6.8* 21.2
9.0	SW				12.4* 12.4*	11.2* 11.2*	10.3* 10.3*	9.5* 9.5*	8.8* 8.8*	8.3* 8.3*	7.8* 7.8*	7.4* 7.4*			6.8* 6.8* 21.6
7.5	SW			14.6* 14.6*	12.9* 12.9*	11.6* 11.6*	10.6* 10.6*	9.7* 9.7*	9.0* 9.0*	8.4* 8.4*	7.9* 7.9*	7.5* 7.5*			6.9* 6.9* 22.0
6.0	SW		18.2* 18.2*	15.5* 15.5*	13.6* 13.6*	12.1* 12.1*	10.9* 10.9*	10.0* 10.0*	9.2* 9.2*	8.6* 8.6*	8.0* 8.0*	7.5* 7.5*			7.0* 7.0* 22.2
4.5	SW	24.6* 24.6*	19.7* 19.7*	16.5* 16.5*	14.3* 14.3*	12.6* 12.6*	11.3* 11.3*	10.3* 10.3*	9.4* 9.4*	8.7* 8.7*	8.1* 8.1*	7.6* 7.6*			7.1* 7.1* 22.3
3.0	SW	27.0* 27.0*	21.2* 21.2*	17.5* 17.5*	14.9* 14.9*	13.1* 13.1*	11.7* 11.7*	10.5* 10.5*	9.6* 9.6*	8.9* 8.9*	8.2* 8.2*	7.6* 7.6*			7.1* 7.1* 22.4
1.5	SW	18.4* 18.4*	22.4* 22.4*	18.4* 18.4*	15.6* 15.6*	13.5* 13.5*	12.0* 12.0*	10.8* 10.8*	9.8* 9.8*	9.0* 9.0*	8.3* 8.3*	7.7* 7.7*			7.1* 7.1* 22.3
0	SW	12.8* 12.8*	23.4* 23.4*	19.1* 19.1*	16.1* 16.1*	13.9* 13.9*	12.3* 12.3*	11.0* 11.0*	10.0* 10.0*	9.1* 9.1*	8.3* 8.3*	7.6* 7.6*			7.0* 7.0* 22.1
-1.5	SW	11.5* 11.5*	19.5* 19.5*	15.5* 15.5*	13.5* 13.5*	12.5* 12.5*	11.2* 11.2*	10.0* 10.0*	9.1* 9.1*	8.3* 8.3*	7.5* 7.5*				7.0* 7.0* 21.8
-3.0	SW	11.5* 11.5*	17.5* 17.5*	13.5* 13.5*	11.5* 11.5*	10.5* 10.5*	9.2* 9.2*	8.0* 8.0*	7.2* 7.2*	6.4* 6.4*	5.6* 5.6*				6.9* 6.9* 21.4
-4.5	SW	12.0* 12.0*	16.9* 16.9*	13.3* 13.3*	11.4* 11.4*	10.4* 10.4*	9.1* 9.1*	7.9* 7.9*	7.0* 7.0*	6.2* 6.2*	5.4* 5.4*				6.7* 6.7* 20.9
-6.0	SW	12.7* 12.7*	17.1* 17.1*	13.6* 13.6*	11.7* 11.7*	10.7* 10.7*	9.4* 9.4*	8.2* 8.2*	7.3* 7.3*	6.5* 6.5*	5.7* 5.7*				6.5* 6.5* 20.3
-7.5	SW		17.7* 17.7*	14.0* 14.0*	12.0* 12.0*	11.0* 11.0*	9.7* 9.7*	8.5* 8.5*	7.6* 7.6*	6.8* 6.8*	6.0* 6.0*				6.9* 6.9* 18.8
	SW			13.6* 13.6*	11.9* 11.9*	10.4* 10.4*	9.0* 9.0*								8.6* 8.6* 15.5

Height Can be slewed through 360° In longitudinal position of undercarriage Max. reach \* Limited by hydr. capacity

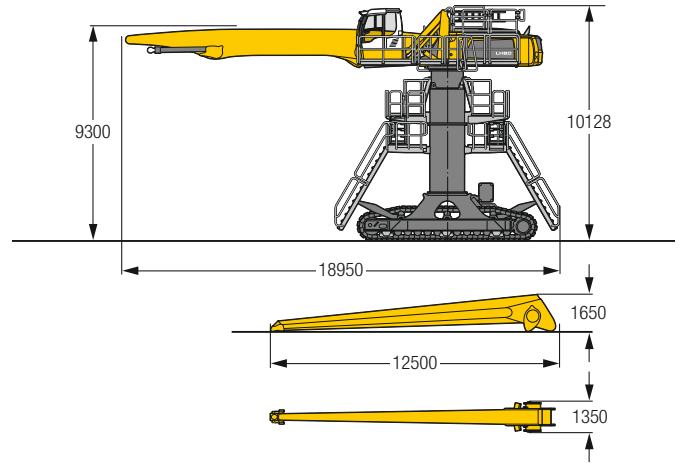
The lift capacities on the stick end without attachment are stated in metric tons (t) and can be slewed through 360° on a firm, level supporting surface. Capacities are valid for 750 mm wide flat pads. Indicated loads based on the ISO 10567 standard and do not exceed 75% of tipping or 87% of hydraulic capacity. The lift capacity values indicated are attained at the corresponding operating temperature. This operating temperature is ensured by continuous movement of the boom. Weights of fitted attachments (grabs, load hooks, etc.) and load accommodation attachment are to be deducted from the lift capacity values. The lift capacity of the unit is limited by its stability, the lifting capability of the hydraulic elements, or the maximum permissible lifting capacity of the load hook. In accordance with the harmonised European Standard EN 474-5, hydraulic excavators used for lifting operations must be equipped with pipe fracture safety valves, an overload warning device, a load hook and a lift capacity chart.

# LH 80 C Gantry – Equipment GG25

## Port – Kinematic 2A



### Dimensions



### Operating weight and ground pressure

The operating weight includes the basic machine with hydr. cab elevation, straight boom 13.50 m, straight stick 12.00 m and grab for loose material GMZ 80 / 4.00 m<sup>3</sup>.

Weight	116,200 kg
Pad width	750 mm
Ground pressure	on request

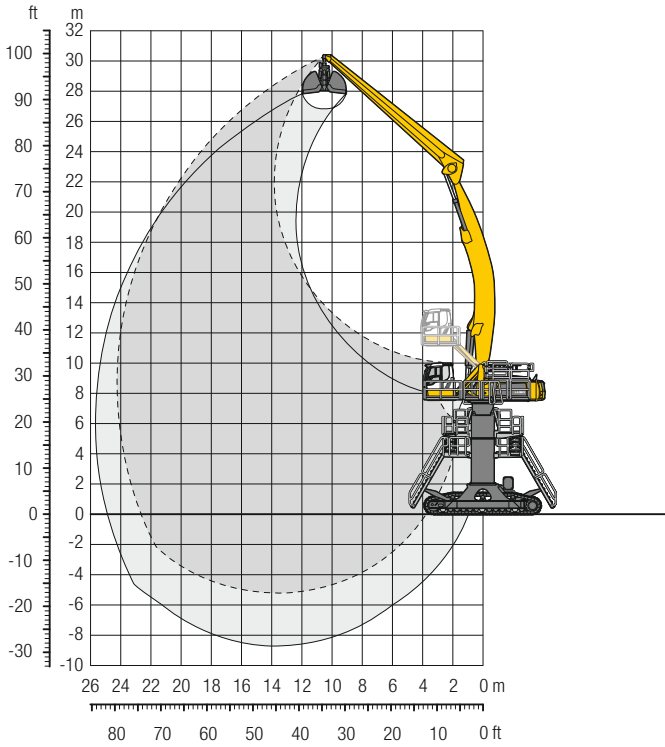
m	Undercarriage	6.0 m		7.5 m		9.0 m		10.5 m		12.0 m		13.5 m		15.0 m		16.5 m		18.0 m		19.5 m		21.0 m		22.5 m		24.0 m		m								
		⬇️	⬆️	⬇️	⬆️	⬇️	⬆️	⬇️	⬆️	⬇️	⬆️	⬇️	⬆️	⬇️	⬆️	⬇️	⬆️	⬇️	⬆️	⬇️	⬆️	⬇️	⬆️	⬇️	⬆️	⬇️	⬆️	⬇️	⬆️							
31.5	Gantry					12.1*	12.1*																					11.0*	11.0*	9.8						
30.0	Gantry							12.0*	12.0*	10.4*	10.4*																	9.2*	9.2*	12.8						
28.5	Gantry							12.8*	12.8*	11.7*	11.7*	10.4*	10.4*	8.3*	8.3*													8.2*	8.2*	15.1						
27.0	Gantry									12.4*	12.4*	11.4*	11.4*	10.2*	10.2*	8.3*	8.3*												7.6*	7.6*	16.9					
25.5	Gantry									12.4*	12.4*	11.2*	11.2*	10.3*	10.3*	9.5*	9.5*	7.9*	7.9*										7.1*	7.1*	18.4					
24.0	Gantry											11.1*	11.1*	10.2*	10.2*	9.4*	9.4*	8.8*	8.8*	7.2*	7.2*								6.8*	6.8*	19.7					
22.5	Gantry											11.1*	11.1*	10.2*	10.2*	9.4*	9.4*	8.7*	8.7*	8.1*	8.1*								6.6*	6.6*	20.8					
21.0	Gantry											11.1*	11.1*	10.1*	10.1*	9.4*	9.4*	8.7*	8.7*	8.1*	8.1*	7.6*	7.6*						6.4*	6.4*	21.7					
19.5	Gantry									12.2*	12.2*	11.1*	11.1*	10.2*	10.2*	9.4*	9.4*	8.7*	8.7*	8.1*	8.1*	7.5*	7.5*	6.3*	6.3*				6.2*	6.2*	22.5					
18.0	Gantry									12.4*	12.4*	11.2*	11.2*	10.2*	10.2*	9.4*	9.4*	8.7*	8.7*	8.1*	8.1*	7.5*	7.5*	7.0*	7.0*				6.2*	6.2*	23.2					
16.5	Gantry									12.5*	12.5*	11.3*	11.3*	10.3*	10.3*	9.5*	9.5*	8.7*	8.7*	8.1*	8.1*	7.5*	7.5*	7.0*	7.0*				6.1*	6.1*	23.7					
15.0	Gantry									11.5*	11.5*	10.4*	10.4*	9.6*	9.6*	8.8*	8.8*	8.1*	8.1*	7.5*	7.5*	7.0*	7.0*	6.3*	6.3*				6.1*	6.1*	24.2					
13.5	Gantry					13.4*	13.4*	14.7*	14.7*	13.0*	13.0*	11.7*	11.7*	10.6*	10.6*	9.6*	9.6*	8.9*	8.9*	8.2*	8.2*	7.5*	7.5*	7.0*	7.0*	6.3*	6.3*	6.0*	6.0*	24.5						
12.0	Gantry					13.2*	13.2*	15.8*	15.8*	15.1*	15.1*	13.3*	13.3*	11.9*	11.9*	10.7*	10.7*	9.7*	9.7*	8.9*	8.9*	8.2*	8.2*	7.5*	7.5*	6.9*	6.9*	6.3*	6.3*	5.8*	5.8*	24.8				
10.5	Gantry					15.6*	15.6*	19.4*	19.4*	18.2*	18.2*	15.6*	15.6*	13.6*	13.6*	12.1*	12.1*	10.8*	10.8*	9.8*	9.8*	9.0*	9.0*	8.2*	8.2*	7.5*	7.5*	6.9*	6.9*	6.2*	6.2*	24.9				
9.0	Gantry					28.9*	28.9*	22.7*	22.7*	18.7*	18.7*	15.9*	15.9*	13.9*	13.9*	12.3*	12.3*	11.0*	11.0*	9.9*	9.9*	9.0*	9.0*	8.2*	8.2*	7.5*	7.5*	6.8*	6.8*	6.0*	6.0*	5.3*	5.3*	25.0		
7.5	Gantry					11.7*	11.7*	23.4*	23.4*	19.2*	19.2*	16.2*	16.2*	14.1*	14.1*	12.4*	12.4*	11.0*	11.0*	9.9*	9.9*	9.0*	9.0*	8.2*	8.2*	7.4*	7.4*	6.7*	6.7*	5.8*	5.8*	5.0*	5.0*	25.0		
6.0	Gantry					6.8*	6.8*	17.6*	17.6*	19.4*	19.4*	16.4*	16.4*	14.2*	14.2*	12.4*	12.4*	11.0*	11.0*	9.9*	9.9*	8.9*	8.9*	8.1*	8.1*	7.3*	7.3*	6.4*	6.4*	5.5*	5.5*	4.7*	4.7*	24.9		
4.5	Gantry					6.2*	6.2*	12.5*	12.5*	19.3*	19.3*	16.3*	16.3*	14.1*	14.1*	12.4*	12.4*	11.0*	11.0*	9.8*	9.8*	8.8*	8.8*	7.9*	7.9*	7.0*	7.0*	6.1*	6.1*	5.0*	5.0*	4.3*	4.3*	24.7		
3.0	Gantry					6.5*	6.5*	11.2*	11.2*	18.8*	18.8*	16.0*	16.0*	13.8*	13.8*	12.1*	12.1*	10.7*	10.7*	9.5*	9.5*	8.5*	8.5*	7.6*	7.6*	6.6*	6.6*	5.7*	5.7*	4.3*	4.3*	3.9*	3.9*	24.3		
1.5	Gantry					7.3*	7.3*	11.2*	11.2*	17.8*	17.8*	15.3*	15.3*	13.3*	13.3*	11.7*	11.7*	10.3*	10.3*	9.1*	9.1*	8.1*	8.1*	7.1*	7.1*	6.1*	6.1*	5.0*	5.0*			4.1*	4.1*	23.4		
0	Gantry					8.3*	8.3*	11.8*	11.8*	16.3*	16.3*	14.2*	14.2*	12.4*	12.4*	10.9*	10.9*	9.7*	9.7*	8.5*	8.5*	7.5*	7.5*	6.4*	6.4*	5.3*	5.3*			4.4*	4.4*	22.0				
-1.5	Gantry							12.6*	12.6*	14.3*	14.3*	12.7*	12.7*	11.2*	11.2*	9.9*	9.9*	8.7*	8.7*	7.6*	7.6*	6.6*	6.6*	5.5*	5.5*					5.0*	5.0*	20.1				
-3.0	Gantry											9.5*	9.5*	8.4*	8.4*	7.4*	7.4*	6.4*	6.4*																	

Height Can be slewed through 360° In longitudinal position of undercarriage Max. reach \* Limited by hydr. capacity

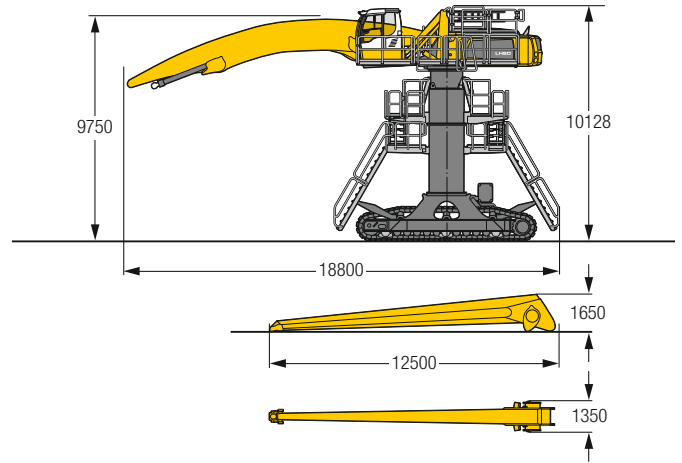
The lift capacities on the stick end without attachment are stated in metric tons (t) and can be slewed through 360° on a firm, level supporting surface. Capacities are valid for 750 mm wide flat pads. Indicated loads based on the ISO 10567 standard and do not exceed 75% of tipping or 87% of hydraulic capacity. The lift capacity values indicated are attained at the corresponding operating temperature. This operating temperature is ensured by continuous movement of the boom. Weights of fitted attachments (grabs, load hooks, etc.) and load accommodation attachment are to be deducted from the lift capacity values. The lift capacity of the unit is limited by its stability, the lifting capability of the hydraulic elements, or the maximum permissible lifting capacity of the load hook. In accordance with the harmonised European Standard EN 474-5, hydraulic excavators used for lifting operations must be equipped with pipe fracture safety valves, an overload warning device, a load hook and a lift capacity chart.

# LH 80 C Gantry – Equipment AG24

## Port – Kinematic 2D



### Dimensions



### Operating weight and ground pressure

The operating weight includes the basic machine with hydr. cab elevation, angled boom 13.50 m, straight stick 12.00 m and grab for loose material GMZ 80 / 4.00 m<sup>3</sup>.

Weight	117,000 kg
Pad width	750 mm
Ground pressure	on request

m	Undercarriage	6.0m		7.5m		9.0m		10.5m		12.0m		13.5m		15.0m		16.5m		18.0m		19.5m		21.0m		22.5m		24.0m		m			
		↕	↕	↕	↕	↕	↕	↕	↕	↕	↕	↕	↕	↕	↕	↕	↕	↕	↕	↕	↕	↕	↕	↕	↕	↕	↕	↕	↕		
30.0	Gantry																											8.7°	8.7°	11.1	
28.5	Gantry									9.6°	9.6°	8.0°	8.0°															7.7°	7.7°	13.7	
27.0	Gantry											9.5°	9.5°	8.0°	8.0°													7.2°	7.2°	15.7	
25.5	Gantry											9.3°	9.3°	8.6°	8.6°	7.9°	7.9°											6.8°	6.8°	17.3	
24.0	Gantry													8.5°	8.5°	8.0°	8.0°	7.5°	7.5°									6.5°	6.5°	18.7	
22.5	Gantry													8.5°	8.5°	7.9°	7.9°	7.4°	7.4°	6.8°	6.8°							6.3°	6.3°	19.8	
21.0	Gantry													8.4°	8.4°	7.9°	7.9°	7.4°	7.4°	7.0°	7.0°							6.2°	6.2°	20.8	
19.5	Gantry													8.5°	8.5°	7.9°	7.9°	7.4°	7.4°	7.0°	7.0°			6.7°	6.7°			6.1°	6.1°	21.6	
18.0	Gantry											9.3°	9.3°	8.6°	8.6°	8.0°	8.0°	7.5°	7.5°	7.0°	7.0°		6.7°	6.7°			6.1°	6.1°	22.3		
16.5	Gantry											9.4°	9.4°	8.7°	8.7°	8.0°	8.0°	7.5°	7.5°	7.1°	7.1°		6.7°	6.7°	6.3°	6.3°	6.1°	6.1°	22.9		
15.0	Gantry									10.6°	10.6°	9.6°	9.6°	8.8°	8.8°	8.2°	8.2°	7.6°	7.6°	7.1°	7.1°		6.7°	6.7°	6.4°	6.4°	6.1°	6.1°	23.4		
13.5	Gantry									10.9°	10.9°	9.9°	9.9°	9.0°	9.0°	8.3°	8.3°	7.7°	7.7°	7.2°	7.2°		6.8°	6.8°	6.4°	6.4°	6.1°	6.1°	23.7		
12.0	Gantry									12.2°	12.2°	11.3°	11.3°	10.1°	10.1°	9.2°	9.2°	8.5°	8.5°	7.8°	7.8°		7.3°	7.3°	6.8°	6.8°	6.4°	6.4°	24.0		
10.5	Gantry	22.9°	22.9°	18.4°	18.4°	15.4°	15.4°	13.3°	13.3°	11.7°	11.7°	10.4°	10.4°	9.5°	9.5°	8.6°	8.6°	8.0°	8.0°	7.4°	7.4°		6.9°	6.9°	6.5°	6.5°	6.1°	6.1°	24.1		
9.0	Gantry	24.9°	24.9°	19.6°	19.6°	16.2°	16.2°	13.8°	13.8°	12.1°	12.1°	10.8°	10.8°	9.7°	9.7°	8.8°	8.8°	8.1°	8.1°	7.5°	7.5°		7.0°	7.0°	6.5°	6.5°	6.0°	6.0°	24.2		
7.5	Gantry	20.9°	20.9°	20.7°	20.7°	17.0°	17.0°	14.4°	14.4°	12.5°	12.5°	11.0°	11.0°	9.9°	9.9°	9.0°	9.0°	8.2°	8.2°	7.6°	7.6°		7.0°	7.0°	6.5°	6.5°	6.0°	6.0°	5.9°	5.9°	24.2
6.0	Gantry	11.7°	11.7°	21.6°	21.6°	17.6°	17.6°	14.9°	14.9°	12.8°	12.8°	11.3°	11.3°	10.1°	10.1°	9.1°	9.1°	8.3°	8.3°	7.7°	7.7°		7.1°	7.1°	6.5°	6.5°	5.9°	5.9°	24.1		
4.5	Gantry	9.7°	9.7°	17.0°	17.0°	18.1°	18.1°	15.2°	15.2°	13.1°	13.1°	11.5°	11.5°	10.3°	10.3°	9.3°	9.3°	8.4°	8.4°	7.7°	7.7°		7.1°	7.1°	6.4°	6.4°	5.9°	5.9°	23.9		
3.0	Gantry	9.3°	9.3°	14.5°	14.5°	18.3°	18.3°	15.4°	15.4°	13.3°	13.3°	11.7°	11.7°	10.4°	10.4°	9.3°	9.3°	8.4°	8.4°	7.7°	7.7°		7.0°	7.0°	6.3°	6.3°	5.8°	5.8°	23.5		
1.5	Gantry	9.6°	9.6°	13.7°	13.7°	18.3°	18.3°	15.5°	15.5°	13.3°	13.3°	11.7°	11.7°	10.4°	10.4°	9.3°	9.3°	8.4°	8.4°	7.6°	7.6°		6.8°	6.8°	6.1°	6.1°	5.7°	5.7°	23.1		
0	Gantry	10.1°	10.1°	13.7°	13.7°	17.9°	17.9°	15.2°	15.2°	13.2°	13.2°	11.6°	11.6°	10.3°	10.3°	9.2°	9.2°	8.2°	8.2°	7.4°	7.4°		6.5°	6.5°	5.6°	5.6°	5.5°	5.5°	22.6		
-1.5	Gantry	10.8°	10.8°	14.0°	14.0°	17.1°	17.1°	14.7°	14.7°	12.8°	12.8°	11.2°	11.2°	10.0°	10.0°	8.9°	8.9°	7.9°	7.9°	7.0°	7.0°		6.0°	6.0°			5.3°	5.3°	22.0		
-3.0	Gantry			14.6°	14.6°	15.9°	15.9°	13.8°	13.8°	12.1°	12.1°	10.6°	10.6°	9.4°	9.4°	8.3°	8.3°	7.3°	7.3°	6.3°	6.3°						5.6°	5.6°	20.6		
-4.5	Gantry							12.5°	12.5°	11.0°	11.0°	9.7°	9.7°	8.6°	8.6°	7.5°	7.5°											6.6°	6.6°	17.7	

Height Can be slewed through 360° In longitudinal position of undercarriage Max. reach \* Limited by hydr. capacity

The lift capacities on the stick end without attachment are stated in metric tons (t) and can be slewed through 360° on a firm, level supporting surface. Capacities are valid for 750 mm wide flat pads. Indicated loads based on the ISO 10567 standard and do not exceed 75% of tipping or 87% of hydraulic capacity. The lift capacity values indicated are attained at the corresponding operating temperature. This operating temperature is ensured by continuous movement of the boom. Weights of fitted attachments (grabs, load hooks, etc.) and load accommodation attachment are to be deducted from the lift capacity values. The lift capacity of the unit is limited by its stability, the lifting capability of the hydraulic elements, or the maximum permissible lifting capacity of the load hook. In accordance with the harmonised European Standard EN 474-5, hydraulic excavators used for lifting operations must be equipped with pipe fracture safety valves, an overload warning device, a load hook and a lift capacity chart.



# Liebherr ERC-System

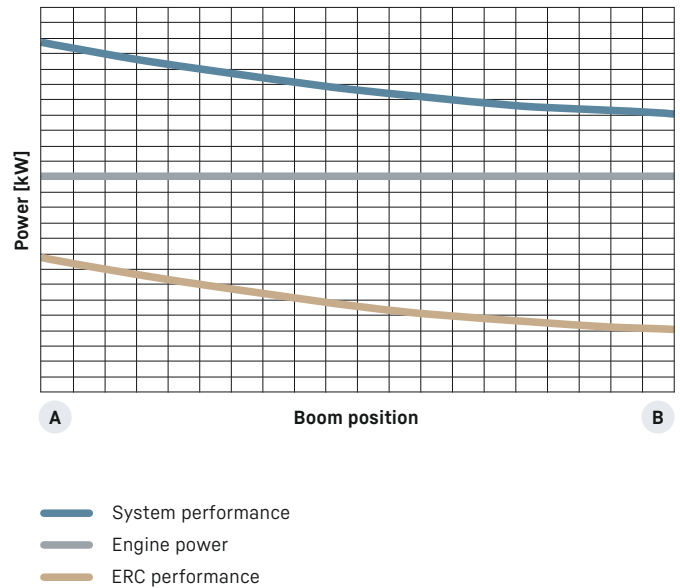
## More performance, less consumption

Lowering the equipment stores energy in the ERC-System. This stored energy is then made available to the machine to provide additional engine power. When the equipment is raised the stored energy is released and is reflected in powerful, homogeneous operating cycles. The result is a clear energy saving – and, at the same time, even greater performance.

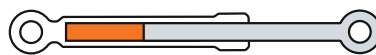
## System performance

The energy recovery cylinder is a storage system which is independent of the electric motor or diesel engine. The system performance of material handling machines fitted with the ERC-System is composed of the installed engine power and the energy recovery cylinder. When the equipment is raised, energy from the ERC-System is supplied in addition to the power from the engine.

## ERC-System



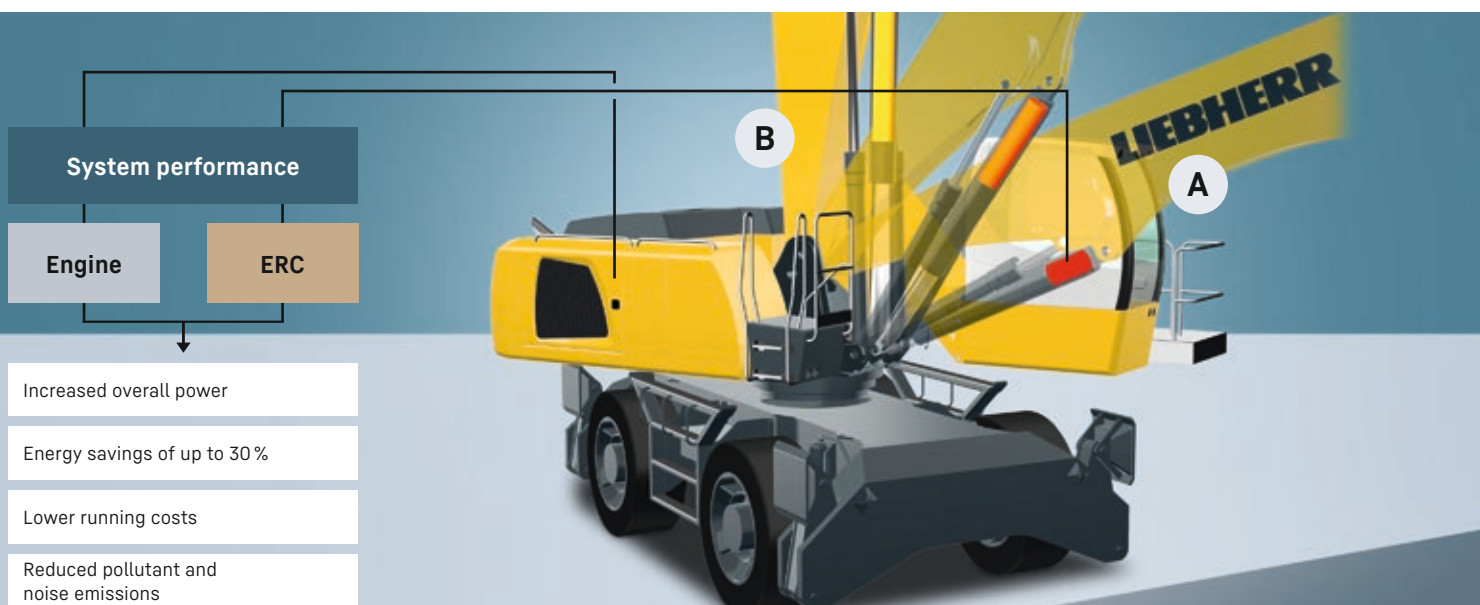
**B** 1. Equipment fitting raised / energy released



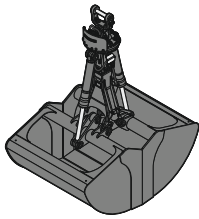
2. Lower equipment fitting / store energy  
4. Raise equipment fitting / release energy



**A** 3. Equipment fitting lowered / energy stored



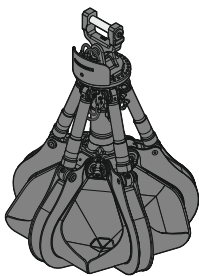
# Attachments



## Grab for loose material

Shells for loose material with cutting edge (without teeth)

Grab model GMZ 50														
Width of shells	mm	1,400	1,600	1,800										
Capacity	m <sup>3</sup>	3.50	4.00	4.50										
Weight	kg	2,615	2,750	2,825										
Grab model GMZ 80														
Shell specification		Standard							Wide					
Width of shells	mm	1,300	1,500	1,750	2,000	2,200	2,600	3,000	3,400	1,300	1,500	1,700	2,000	2,200
Capacity	m <sup>3</sup>	3.00	3.50	4.00	4.50	5.00	6.00	7.00	8.00	2.00	2.30	2.70	3.00	3.40
Weight	kg	2,510	2,625	2,775	2,920	3,255	3,490	3,720	3,955	2,310	2,400	2,535	2,670	2,895
Grab model GMZ 120														
Width of shells	mm	1,600	1,800	2,000	2,200	2,400	2,800	3,200						
Capacity	m <sup>3</sup>	4.00	4.50	5.00	5.50	6.00	7.00	8.00						
Weight	kg	3,005	3,140	3,280	3,630	3,775	4,040	4,330						



## Multi-tine grab

closed, heart-shaped

Grab model GMM 80-5 (5 tines)					
Capacity	m <sup>3</sup>	0.90	1.10	1.40	1.70
Weight	kg	2,375	2,440	2,580	2,730
Grab model GMM 120-5 (5 tines)					
Capacity	m <sup>3</sup>	1.70	2.00	2.50	3.00
Weight	kg	2,970	3,110	3,265	3,670



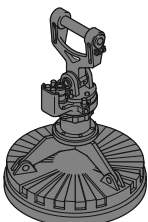
## Wood grab

Grab model GMH 50 – round overlapping (horizontal cylinders)							
Size	m <sup>2</sup>	2.20	2.50	2.50	2.80	3.20	3.60
Cutting width	mm	1,000	870	1,000	1,000	1,000	1,000
Height of grab, closed	mm	2,323	2,416	2,416	2,521	2,649	2,814
Weight	kg	2,135	2,105	2,180	2,260	2,320	2,375
Grab model GMH 80 – round overlapping (vertical cylinders)							
Size	m <sup>2</sup>	1.30	1.60	1.90	2.20	2.50	
Cutting width	mm	870	870	870	870	870	
Height of grab, closed	mm	2,805	2,905	2,983	3,065	3,142	
Weight	kg	2,155	2,215	2,260	2,295	2,335	
Grab model GMH 120 – round overlapping (vertical cylinders)							
Size	m <sup>2</sup>	2.80	3.20	3.60			
Cutting width	mm	870	870	870			
Height of grab, closed	mm	3,574	3,673	3,754			
Weight	kg	2,725	2,750	2,790			



## Load hook

Max. load	t	25
Height with suspension	mm	1,220
Weight	kg	255




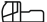
## Magnet devices / lifting magnets

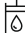
Generator	kW	20	30
Electromagnet with suspension			
Power	kW	11.7	17.8
Diameter of magnet	mm	1,500	1,700
Weight	kg	2,400*	3,300*


\* only magnet plate

# Equipment

	80 M	80 C	80 M HR	80 C HR	80 C Gantry
 <b>Undercarriage</b>					
Track pads, variants		+		+	+
Individual control outriggers	+		•		
Three-piece chain guide		•		•	•
Shuttle axle lock, automatic	•		•		
Outrigger monitoring system	+		+		
Tyres, variants	+		+		
Trailing cable <sup>2)</sup>	•	•	•	•	•
Protection for piston rods, outriggers	+		+		
Two storage compartments <sup>1)</sup>	•				
One storage compartment <sup>2)</sup>	•				
Cable reel system <sup>2)</sup>	+	+3)	+	+	+

	80 M	80 C	80 M HR	80 C HR	80 C Gantry
 <b>Upper-carriage</b>					
Upper-carriage right side light, 1 piece, LED	•	•	•	•	•
Upper-carriage rear light, 2 pieces, LED	+	+			
Upper-carriage underneath rear light, 1 piece, LED			+	+	+
Refuelling system with filling pump <sup>1)</sup>	+	+	+	+	+
Railing on upper-carriage	+	+	•	•	•
Generator	+	+	+	+	+
Main battery switch for electrical system	•	•	•	•	•
Amber beacon, at upper-carriage, LED double flash	+	+	+	+	+
Protection for headlights	+	+			
Protection for rear lights	+	+			
Tool equipment, extended	•	•	•	•	•

	80 M	80 C	80 M HR	80 C HR	80 C Gantry
 <b>Hydraulic system</b>					
Electronic pump regulation	•	•	•	•	•
Liebherr hydraulic oil from -20 °C to +40 °C	•	•	•	•	•
Liebherr hydraulic oil, biologically degradable	+	+	+	+	+
Liebherr hydraulic oil, specially for warm or cold regions	+	+	+	+	+
Magnetic rod in hydraulic tank	•	•	•	•	•
Bypass filter	+	+	+	+	+
Preheating hydraulic oil	+	+	+	+	+

	80 M	80 C	80 M HR	80 C HR	80 C Gantry
 <b>Engine</b>					
Fuel anti-theft device <sup>1)</sup>	+	+	+	+	+
Air pre-filter with dust discharge <sup>1)</sup>	+	+	+	+	+
Automatic engine shut-down (time adjustable)	+	+	+	+	+
Preheating fuel <sup>1)</sup>	+	+	+	+	+
Preheating coolant <sup>1)</sup>	+	+	+	+	+
Preheating engine oil <sup>*1)</sup>	+	+	+	+	+

	80 M	80 C	80 M HR	80 C HR	80 C Gantry
 <b>Cooling system</b>					
Reversible fan drive	+	+	+	+	+
Protective grid in front of cooler intake	•	•	•	•	•



## Cab

	80 M	80 C	80 M HR	80 C HR	80 C Gantry
Stabilizer assistant	+		+		
Stabilizer, control lever, left console	+		+		
Stabilizer, proportional control on left joystick	●		●		
Cab lights rear, LED	+	+	+	+	+
Cab lights front, LED	+	+	+	+	+
Cab lights front, LED (under rain cover)	●	●	●	●	●
Armrest adjustable	●	●	●	●	●
Circular bubble level	+	+	●	●	●
Slewing gear brake Comfort, button on the left or right joystick	+	+	+	+	+
Driver profile, personalised (max. 5 drivers)	+	+	+	+	+
Operator's seat Comfort	●	●	●	●	●
Operator's seat Premium	+	+	+	+	+
Driving alarm					
(acoustic signal is emitted during travel, can be switched ON / OFF)	+	+	+	+	+
Fire extinguisher	+	+	+	+	+
Footrest	+	+	+	+	+
Horn, button on left joystick	●	●	●	●	●
Joystick steering	●		●		
Joystick and wheel steering (slim version)	+		+		
Cab elevation, hydraulic (LHC)	●	●	●	●	●
Cab elevation, hydraulic with double parallelogram (LHC-D)			+	+	+
Cab elevation, rigid (LFC)	+	+			
Automatic air conditioning	●	●	●	●	●
Wheel steering (slim version)	+		+		
LiDAT, vehicle fleet management	●	●	●	●	●
Engine shut-down (emergency stop) cab <sup>2)</sup>	●	●	●	●	●
Proportional control	●	●	●	●	●
Radio Comfort, control via display with handsfree set	+	+	+	+	+
Preparation for radio installation	●	●	●	●	●
Back-up alarm (acoustic signal is emitted traveling backward, can not be switched off)	+		+		
Amber beacon, on cab, LED double flash	+	+	+	+	+
Windows made from impact-resistant laminated safety glass	+	+	●	●	●
Windscreen wiper, roof	+	+	+	+	+
Windshield wiper, entire windscreen	●	●	●	●	●
FOPS top guard	+	+	+	+	+
FGPS front guard, tiltable	+	+	+	+	+
Sun visor	+	+	+	+	+
Stationary air-conditioning <sup>2)</sup>	●	●	●	●	●
Left control console, folding	●	●	●	●	●



## Equipment

	80 M	80 C	80 M HR	80 C HR	80 C Gantry
Boom lights, 2 pieces, LED	●	●	●	●	●
Stick lights, 2 pieces, LED	●	●	●	●	●
Boom shutoff (retract / extend), electronically	+	+	●	●	●
Equipment with electro-hydraulic end position control	●	●	●	●	●
AutoLift	+	+	+	+	+
Pressure warning mechanism hoist cylinder	●	●	●	●	●
ERC system	●	●	●	●	●
Filter system for attachment	+	+	+	+	+
Electronic lift limitation	+	+	+	+	+
Boom cylinder cushioning	●	●	●	●	●
Stick camera (with separate monitor), bottom side, with protection	+	+	+	+	+
Load torque limitation	+	+	+	+	+
Liebherr multi coupling system	+	+	+	+	+
Pipe fracture safety valves hoist cylinders	●	●	●	●	●
Pipe fracture safety valves stick cylinders	●	●	●	●	●
Quick coupling system MH 110B	+	+	+	+	+
Protection for piston rod, energy recovering cylinder	+	+	+	+	+
Protection for piston rods, hoist cylinder	+	+	+	+	+
Stick shutoff (retract), electronically	●	●	●	●	●
Stick shutoff (retract / extend), electronically	+	+	+	+	+
Retract stick without pressure	●	●	●	●	●
Sticks with quick coupling	+	+	+	+	+
Overload warning device	+	+	+	+	+



## Complete machine

	80 M	80 C	80 M HR	80 C HR	80 C Gantry
<b>Lubrication</b>					
Lubrication undercarriage, manually - decentralised (grease points)	●				
Lubrication undercarriage, manually - centralised (one grease point)	+		●		
Central lubrication system for uppercarriage and equipment, automatically	●	●	●	●	●
Central lubrication system for undercarriage, automatically	+		+		
Centralised lubrication extended for attachment	+	+	+	+	+
<b>Special coating</b>					
Special coating, variants	+	+	+	+	+
<b>Monitoring</b>					
Rear view monitoring with camera	●	●	●	●	●
Side view monitoring with camera	●	●	●	●	●

● = Standard, + = Option, +<sup>3)</sup> = on request

\* = country-dependent, <sup>1)</sup> not with electric drive, <sup>2)</sup> only with electric drive

Options and / or special equipment, supplied by vendors other than Liebherr, are only to be installed with the knowledge and approval of Liebherr in order to retain warranty.

# The Liebherr Group



## Global and independent: more than 70 years of success

Liebherr was founded in 1949 when, with the development of the world's first mobile tower crane, Hans Liebherr laid the foundations for a family-run company which now has more than 50,000 employees and comprises over 150 companies across every continent. The holding company of the Group is Liebherr-International AG in Bulle, Switzerland, whose shareholders are exclusively members of the Liebherr family.

## Technology leadership and pioneering spirit

Liebherr is a pioneer and its forward-looking approach has seen it make important contributions to technology history over a wide variety of industries. Employees throughout the world continue to share the courage of the company founder, sharing a passion to produce innovative products and a determination to provide world-leading equipment and machinery.

## Diversified product programme

Liebherr is one of the world's biggest construction machine manufacturers and provides high-quality, user-oriented products and services. Its product programme includes earthmoving machinery, material handling technology, deep foundation machines, mining, mobile and crawler cranes, tower cranes, concrete technology, maritime cranes, aerospace and transportation systems, gear technology and automation systems, refrigerators and freezers, components and hotels.

## Customised solutions and maximum customer value

Liebherr solutions are characterised by precision, implementation and longevity. The company is committed to technological excellence and to providing customers with solutions that match their needs exactly. For Liebherr, customer focus does not end with delivery of a product but continues through a comprehensive range of back-up and support services.

[www.liebherr.com](http://www.liebherr.com)

## Liebherr-Hydraulikbagger GmbH

Liebherrstraße 12 · 88457 Kirchdorf (Iller), Germany · Phone +49 7354 80-0  
info.lhb@liebherr.com · [www.liebherr.com](http://www.liebherr.com) · [www.facebook.com/LiebherrConstruction](https://www.facebook.com/LiebherrConstruction)