

---

# Fully integrated appliances 2025

---

## **LIEBHERR**

Refrigeration and freezing





# Optimal freshness

---

When it comes to groceries, you care about top quality and an authentic culinary experience. You take detours to visit stalls selling regional cheeses, you appreciate freshly caught fish, and you like to grow your own radishes. Wouldn't it be great if you could still taste this quality, even after several days in the fridge? Almost as if time were standing still? We think it would.

That is what motivates us to constantly develop new and even better solutions that guarantee perfect storage conditions for all kinds of groceries. For long-lasting freshness, to protect valuable vitamins, and for food that tastes as if it had just been bought or harvested. But why not find out for yourself? Check out our 2025 fully integrated range.



SICNdi 5153 ◊ Prime series

ICBNdi 5163 ◊ Prime series



# Contents

---

Liebherr Corporate Group	6
Quality	8
Sustainability	10
Performance in balance	12
Freshness technologies	14
EasyFresh	16
BioFresh	17
BioFresh Professional with HydroBreeze	18
BioFresh Professional with Fish & Seafood safe	20
AutoDoor	22
Design	24
Convenience and flexibility Water and ice	26 28
Side-by-Side concept	30
Connectivity	34
10-year manufacturer's guarantee	35
User interface	36
Accessories	38
XL Food Storage Centres	40
Series	44
Overview of product range	46
Side-by-Side	48
Fridge-freezers	54
Fridges	68
Freezers	88
Under counter refrigerator	102
Under counter freezer	108
Wine fridges	112
Overview of product range	115
Outdoor Cooler	130
Glossary	132
Diagrams	134



Earthmoving



Material handling



Specialist civil engineering



Mining



Mobile and crawler cranes



Tower Cranes



Concrete technology



Maritime cranes



Aerospace and transportation systems



Gear technology and automation systems



Components



Hotels



Refrigerators and freezers

# A tradition of reliability admired the world over.

---

For 75 years Liebherr has offered high-quality products for pioneering industries. With our customers and partners all over the world, we constantly reach new heights.



## One big family

The Liebherr Group was established in 1949 by Hans Liebherr. With a history spanning 75 years, the family-run company is characterised by stability and reliability. Liebherr is one of the biggest manufacturers of construction equipment and is also successful in many other industries. The Group has a decentralised organisation with more than 50,000 employees worldwide and is divided into independently operating business units.

The Group now encompasses 13 product segments – earthmoving machinery, material handling technology, deep foundation machines, mining, mobile and crawler cranes, tower cranes, concrete technology, maritime cranes, aerospace and transportation systems, gear technology and automation systems, refrigerators and freezers, components and hotels – and comprises more than 140 companies across all continents. The holding company of the Group is Liebherr-International AG in Bulle (Switzerland), all of whose shareholders are members of the Liebherr family.

## Cutting edge combined with experience: Appliances

The Appliances division was established at the Ochsenhausen site in 1954 and for many years it has played an important part in the development of the Group. For 70 years, Liebherr has been a specialist manufacturer of innovative refrigerators and freezers for domestic and commercial use. With an annual production of more than 2.2 million appliances, Liebherr is one of Europe's leading suppliers of cooling and freezing appliances. The five production sites in Ochsenhausen (Germany), Lienz (Austria), Radinovo (Bulgaria), Kluang (Malaysia) and Aurangabad (India) form a manufacturing network for refrigerators and freezers that meets all the most up-to-date standards.

Liebherr is active all over the world. With a dense network of sales subsidiaries and offices in Bulgaria, Germany, the UK, Austria, Canada, Malaysia, Russia, Switzerland, Singapore, South Africa and the USA, the refrigeration and freezing specialists ensure that customers receive expert advice and that service and maintenance work is provided professionally on site.

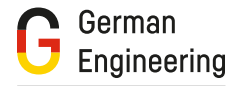
# Even the smallest detail deserves the utmost attention.

---

We prioritise uncompromising quality – down to the tiniest screw. And we have done so from the very start. We have been manufacturing high-quality refrigerators and freezers and selling them worldwide since 1954. However, at heart we are still a family business with deep roots in Germany. It is here that we continue to develop all our products just as before. German engineering – out of loyalty to our founder and with the knowledge built up by generations of engineers.

## Convenience for everybody.

Our new fully integrated appliances are available in different series: Pure, Plus, Prime and Peak. But whatever series you opt for, every single Liebherr comes with uncompromising Liebherr quality. This is because even in the Pure series, every appliance comes with a wide range of features. One example is NoFrost – the automatic defrosting function. Another is our EasyFresh technology for storing fruit and vegetables. Then there is our DuoCooling feature. With two separate refrigerant circuits, it ensures that no air is exchanged between the fridge and freezer compartments. The stored groceries do not dry out and no odours are transferred.







IRBci 5180 Δ Peak series

### **Built to last.**

You can experience our quality standards in the smallest of details. For example, before a door hinge is approved by us, it must pass through at least 100,000 opening cycles. This corresponds to a usage period of more than 15 years. We also test all other functional parts to ensure that they can last just as long.

And if, contrary to expectations, a small detail no longer meets your requirements, expectations you or our premium service partners can usually correct it quickly. Because all our appliances are extremely repair-friendly. We keep all essential spare parts in stock for well over 10 years. This practice is not just sustainable, it also saves you money on minor repairs or the purchase of a new appliance.

### **We don't just say it. We guarantee it.**

During manufacturing we inspect all components of our refrigerators with great care and test them far more rigorously than required by law – and we do this for the last time just before they are packaged. It is only then that our appliances can relax a little. All of our manufacturing sites are certified in accordance with the international standards for quality ISO 9001, energy management ISO 50001 and environmental management ISO 14001. Therefore, nothing could be easier for us than to guarantee for at least two years that our products are free of material and manufacturing faults and are particularly easy to install.

Selected fridge-freezers appliances come with a 10-year guarantee (terms and conditions apply).

In short: one thing is certain – you will be able to enjoy your Liebherr for a long time.



from the Pure series upwards

## Our path to the future

One thing unites all our product innovations: They all present a path towards greater sustainability. Taking responsibility is one of our core values. That's why researching and developing eco-friendly solutions has been a tradition here for decades. And we always keep the entire product lifecycle in mind.

**People and sustainable business**

Respect for human rights is of the utmost importance to us. We attach great importance to treating everyone equally and ensuring the health, safety and personal development of our employees. We also want to make a positive contribution to our communities.

What is more, we emphasise responsible and economical practices, including long-term financial planning and self-financing. Fairness towards other market participants, compliance with laws and internal standards and codes of conduct are an integral part of our approach.

**Recycling**

We are aiming for a sustainable circular economy and actively design our products to maximise the reuse of the materials in them by making them easy to separate.

**Materials**

We want to reduce the environmental impact of our business activities by preparing recyclable products, increasing the use of renewable and recycled materials in our appliances, and reducing the variety of materials we use. In doing so, we consider the entire product.



**Use**

We reduce harm to the environment by continuing to offer first-class, energy-efficient products that are extremely long-lasting and easy to repair – supported by proactive customer service. We also offer products and solutions that help reduce food waste. More on this in the following pages.

**Production**

We aim to produce in an environmentally conscious manner by reducing the energy requirements of our plants and increasingly utilising renewable energy sources. By using water responsibly, minimising waste, and avoiding pollution, we reduce our environmental impact above and beyond CO<sub>2</sub> emissions.

## Perfectly thought out: a powerful, complete package.

---

Our fridges are real all-rounders. Along with their low power consumption, they also have impressively low noise levels, plenty of space for groceries, a long service life and decent power reserves for when it really matters. We take account of a great many factors during the development stage and can offer a perfectly balanced appliance. Or to put it another way: all good things come in fours.





### Energy consumption

Our new fully integrated appliance units occupy top positions in the efficiency rankings. In this way, they protect the precious resources of our environment and – thanks to low electricity costs – your wallet too.



### Cooling volume

We have the perfect appliance for all family sizes, lifestyles and niche heights. We make sure that we do not waste a single litre of capacity in the extra-large drawers – right down to the smallest detail, for example with the lighting solutions that have been integrated in the housing to save space.



### Noise level

The boundaries between the kitchen and living areas are becoming ever more blurred in modern households. This underlines the importance of particularly quiet appliances. Our new fully integrated range therefore offers a wide selection of extremely quiet appliances. In some cases, it even reaches the ultra-quiet noise level of 27 db.



### Cooling performance

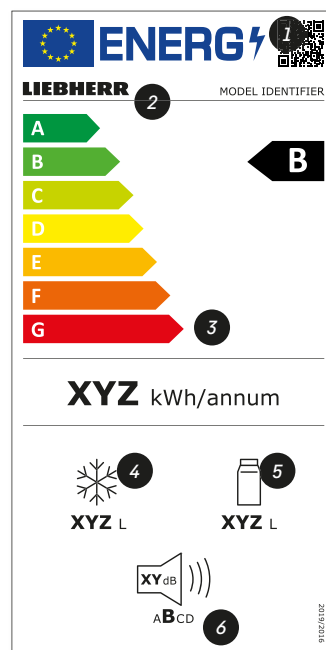
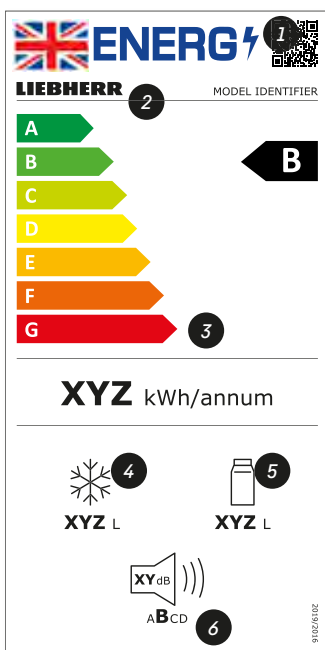
Intelligent sensor technology constantly adapts the cooling performance to current use, making our fully integrated units very energy-efficient and economical in everyday use. At the same time they also have plenty of power in reserve, for example to cool down a large quantity of groceries after the weekly shop.

### High efficiency: This is how economical a Liebherr can be



You can find out how efficient our appliances are using the online tool from the EU-financed projects LABEL2020 and BELT. At this site ([tool.label2020.eu](http://tool.label2020.eu)) you can view and compare the electricity consumption and lots of other product data for electrical appliances. The calculator also takes account of local electricity prices and shows the costs for the entire period of use. The comparison shows that a Liebherr is worth it!

### The current energy label for electronic appliances



- 1 The QR code for identifying the product in the EU's EPREL database (European Product Database for Energy Labelling).
- 2 The model identifier for manual identification of the product in the EU's EPREL database, e.g. using the article number.
- 3 The new A to G efficiency scale.  
Note: G is solely used for wine fridges.
- 4 The total volume\* of all freezer compartments.
- 5 The total volume\* of all cold storage and refrigerator compartments.
- 6 The noise level is classified in classes A to D.

\* The term "volume" is defined in current Regulation (EU) 2019/2016. The label for Great Britain includes the Union Jack.

## Tasty for longer.

---

You don't compromise when you're shopping. You look for natural ingredients, the best quality and maximum freshness. Of course, anyone who values good food wants to keep it fresh for as long as possible. That is precisely why we have developed innovative freshness technologies and improve them year after year, so your food still tastes fresh after some time in the refrigerator.



**DuoCooling. No drying out.**

Our basic technology in all fridge-freezers. Two completely separate cooling circuits ensure that there is no air exchange between the fridge and freezer compartments. The food does not dry out, or spread odour.





**EasyFresh. Ideal for fruit and vegetables.**

Unpackaged fruit and vegetables feel right at home here. Stored at the same temperature as the fridge compartment and sealed airtight in the safe, lettuce, for example, is still crisp and fresh after 7 days.



**BioFresh. Our all-rounder.**

The reliable BioFresh technology keeps food at a temperature just above 0 °C, much cooler than in the rest of the appliance. Fruit and vegetables stay fresh even longer in the airtight Fruit & Vegetable Safe with the perfect humidity. Meat, fish and dairy products can enjoy ideal conditions in the Meat & Dairy Safe.



**BioFresh Professional with HydroBreeze.**

**Refrigerate like the professionals.**

A cold mist that covers fruit and vegetables like a protective balm. It ensures crisp freshness and improves structure – the special wow effect for fruit and vegetables in the BioFresh Professional Safe.



**BioFresh Professional with Fish & Seafood Safe.**

**Like freshly caught fish from the market.**

Particularly delicate foods like fish and seafood are best stored in icy temperatures and at low humidity. The constant temperature of -2 °C in the Fish & Seafood Safe is therefore ideal to keep these items tasting fresh for longer.



**SmartFrost. Less frequent defrosting.**

SmartFrost technology significantly reduces frost build-up in the interior and on the frozen food. Defrosting is then required less regularly. The interior walls are particularly smooth and easy to clean.



**NoFrost. No more defrosting.**

The automatic defrosting function guarantees that frozen foods remain fresh. There is no longer a need to store frozen food temporarily during a manual defrost. The constant optimal freezing remains the same without interruptions.



+10 days

+8 days

+3 days

Easy  
Fresh

+10 days

Day specifications are comparisons to the normal fridge compartment.





Bio  
Fresh

+ 11 days

+ 12 days

+ 40 days

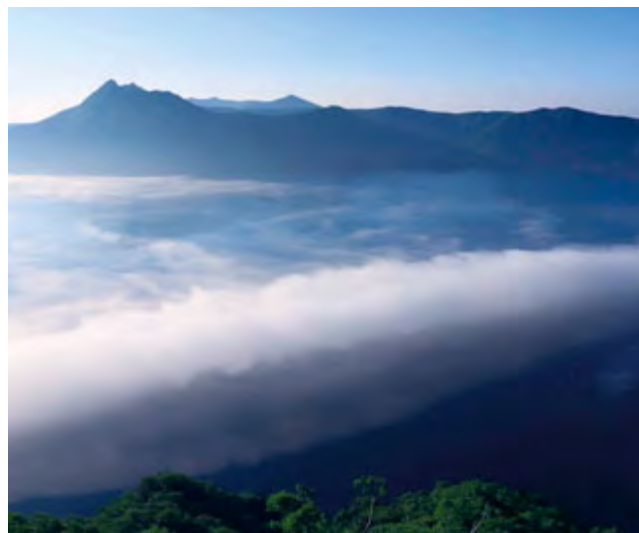
+ 40 days

+ 48 days

## Cool and misty. Perfect weather for your vegetables.

---

Our HydroBreeze feature exemplifies our highest standard of freshness. A cold mist covers fruit and vegetables like a protective balm in the BioFresh Professional Safe. The mist ensures crisp freshness, improves structure and keeps produce with fine leaves fresh for longer. It also creates an optical wow effect in the BioFresh Professional Safe.



### **Nature's freshness secret.**

The Salinas valley in California is known as the salad bowl of the USA. And that is because of the particularly favourable climatic conditions. Its proximity to the cool waters of the Pacific means a fine, moist mist covers the valley and its fields in summer. This prevents the crops growing here from drying out. It is precisely this idea which inspired our BioFresh Professional with HydroBreeze.



Every time the door is opened, a fresh, cold mist is generated.

Hydro  
Breeze

+8 days

+10 days

+8 days

+12 days

+40 days

+11 days

+12 days



More about  
HydroBreeze

Specifications made in days are comparisons  
to the normal fridge compartment.

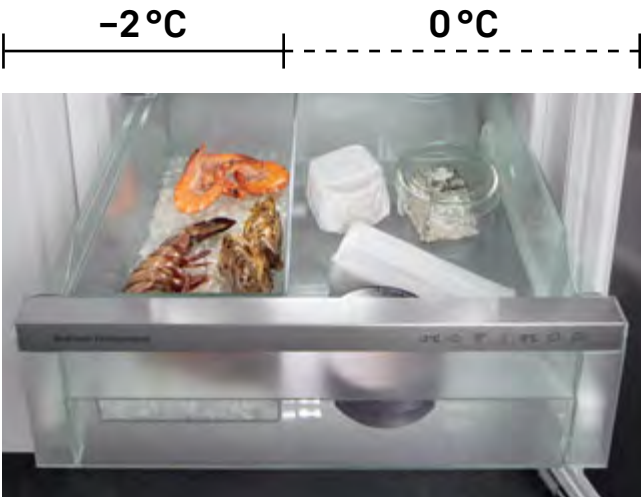
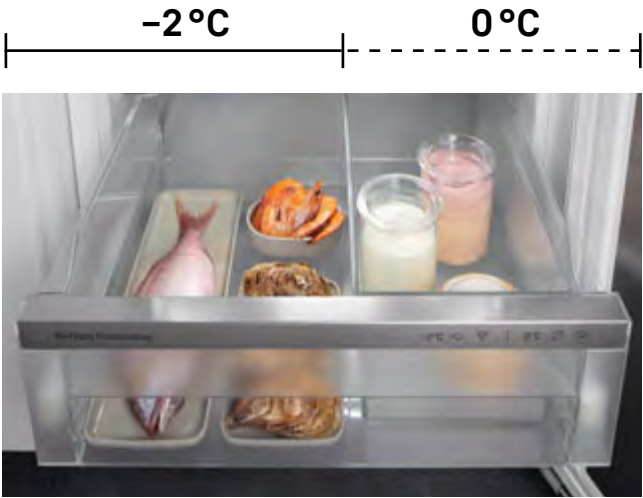
# Like freshly caught fish from the market. With our Fish & Seafood Safe.

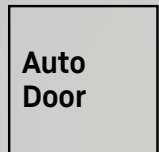
To keep fish and seafood tasting as fresh as at the market stall, even after a few days, you need a fridge compartment which maintains their freshness; such as our Fish & Seafood Safe. Fish and seafood can be stored here at  $-2\text{ }^{\circ}\text{C}$  and low humidity. Perfect conditions to enjoy that freshly caught flavour for much longer.





**Flexible use**  
 The surface of the BioFresh Professional Safe can be adjusted to individual requirements. The -2 °C can be partially or even completely adjusted to a temperature zone at just above 0 °C. This is the optimal storage environment for meat and dairy products. We have illustrated these four options below:





## No need to touch.

AutoDoor makes your hands-free kitchen perfect because it enables Liebherr appliances to be opened and closed completely automatically, using a knocking signal, the SmartDevice app or voice command. This keeps the handle and appliance front clean, even when your (or someone else's) hands are sticky (requires the SmartDevice app and a smart speaker and Google Assistant or Amazon Alexa).

The first fridges and freezers in the world that open and close fully automatically. You can individually select the opening angle and the time before closing. And if need be, you can also open and close it just as easily by hand or using your smartphone.



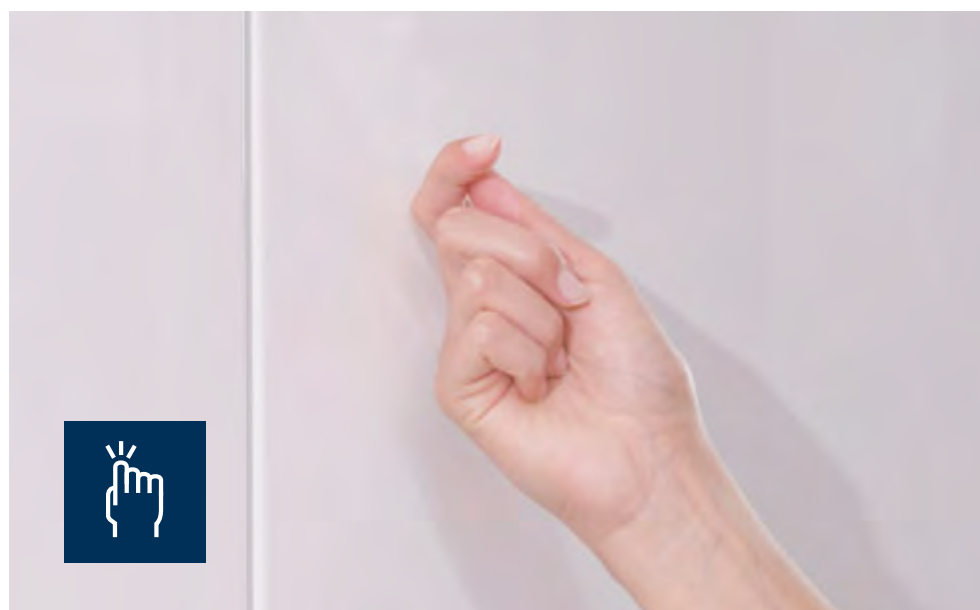
### Opening and closing by voice command

(Requires the SmartDevice app and Amazon Alexa or Google Assistant.)



### Opening and closing by knocking signal

(Requires the SmartDevice app and Amazon Alexa or Google Assistant.)



### Opening and closing by Smartphone

(Requires the SmartDevice app.)



Opening and closing manually is also possible

## Timeless and elegant. Design for every kitchen.

---

Hidden behind the panels of your integrated kitchen, your Liebherr is inconspicuous and lets the design of the kitchen take the spotlight. But once you open it, it's immediately apparent that behind the door lies something very special.

### Design meets functionality.

Purist and timeless on one hand. Elegant and exclusive on the other. The new design language blends seamlessly into any interior: The high quality glass and stainless steel components are impressive. The precise craftsmanship, an eye for detail and the harmonious combination of materials, shapes and colours create an aesthetically pleasing whole. This is subtly highlighted by our lighting concept, LightTower.







The LightTower concept evenly illuminates the interior while supporting the glass shelves. Flexible, space-saving, unique.



Just a fan? Not at all: the new fan with ambient lighting ensures almost uniform temperature distribution and also includes the FreshAir activated charcoal filter. Functionality at its best.



ICBNci 5183 Δ Peak series

# Freshness with zoom factor

Our ergonomic drawers are easy to use. They are therefore particularly easy to reach – for maximum clarity.



Black Steel Interior

Alternatively, our fully integrated fridge with OpenStage drawers has an even higher-quality, high-contrast appearance with a BlackSteel interior.

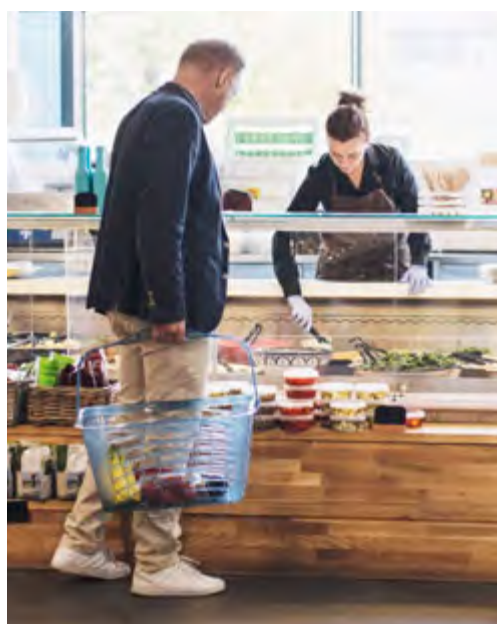


Open Stage

IRBPci 5170 Δ Peak series

## Transform your kitchen into a market stall.

Inspired by display cabinets in fine delicatessens, the award-winning OpenStage drawers showcase all groceries at a glance. The entire contents of the fridge are presented with maximum clarity and are ergonomically ideal to reach. We are setting new standards in ease of use and design. In the lower area, three additional BioFresh Safes offer you the perfect climate for storing fruit and vegetables as well as meat, fish and dairy products.



reddot winner 2021



**Fully integrated under counter appliance**

for refrigeration, freezing, and chilling wine. Available in the 82–88-cm height variant, as well as the brand new 86–92-cm variant. More on page 103.



**One beverage store. Two options.**

The practical pull-out shelf made of telescopic pull-outs in the IRDdi 5120 is equipped with two removable bottle baskets for easy transport. It can also be loaded with a whole crate of beverages to quench your thirst.



IRDdi 5120 ◊ Plus series

## This spring has its source in the fridge.

---

With the InfinitySpring, we bring a crystal clear, cold water source right into the heart of your kitchen. Because water is healthy. This makes lugging heavy crates and water in plastic bottles a thing of the past. This relieves the strain on your back and on our environment. Simple and sustainable.

### Ice-cold water on tap with no heavy lifting.

The flush-mounted water dispenser is always there when it is needed and almost invisible when it's not. It is suitable for containers of almost any size, including carafes or bottles for soda makers. The integrated filter system ensures perfect water quality. By the way, unlike traditional table-top water filters, this one only needs to be replaced every six months.



## Our new space saving miracle.

The pull-out IceTower sets a new standard. It combines two large storage options: the automatic IceMaker for up to 8 kg of ice cubes and an additional spacious compartment, large enough to store a few family pizzas upright, for example. Plus, to ensure everything can be found easily at these dimensions, we have also provided lighting for our IceTower.



### Flexible installation.

The IceMaker is available with a direct connection to the drinking water supply. If such a connection is not available, there are also models with a water tank in the fridge compartment. So you can enjoy convenient ice cube production even without a fixed tap water connection.



Side  
by  
Side



IRBPbsc 5170 Δ Peak series

EWTgb 3583 Vinidor

## Creating an individually designed freshness centre (Mix and Match).

---

Combine your Liebherr appliances with complete flexibility to suit your individual freshness needs. All models labelled side-by-side, can be vertically and/or horizontally combined to form your individual freshness centre, providing perfect solutions to all your storage needs.

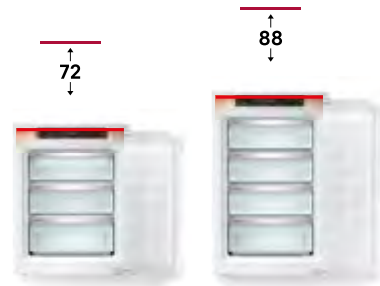
So you can have everything in one place: Generous cooling capacity, extra-long freshness with BioFresh, wines at just the right temperature and the comfort of never having to defrost again with NoFrost.



# Create your own individual freshness centre (Mix and Match).



In order to prevent condensation between the units, Side-by-Side Liebherr appliances are equipped with an integrated heating element in the ceiling and/or side walls. That means that different Liebherr models can be easily combined, protecting both themselves and the kitchen furniture perfectly.



IFNbi 3553  
IFNd 3503

IFd 3904  
IFNd 3924

## Freezers with heated ceilings

The heated ceiling enables freezers with a niche height of 72 or 88 cm to be combined vertically with a fridge or wine fridge to any niche height.

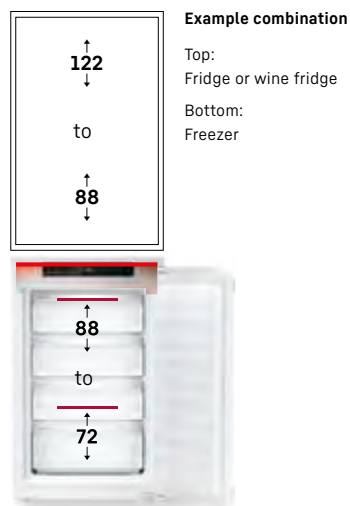


SUFNc 375i  
SUFc 3703

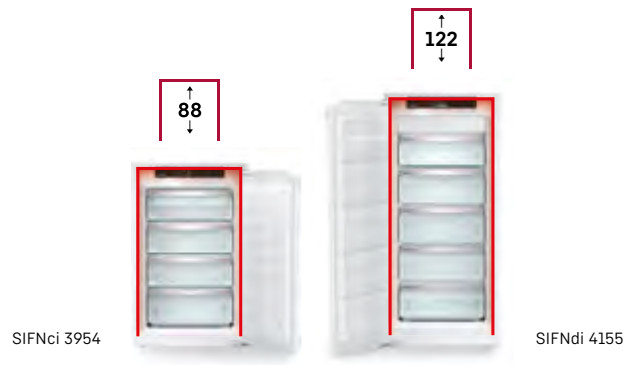
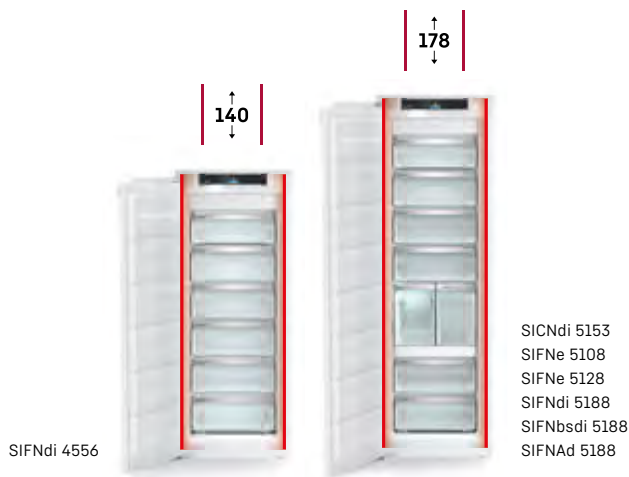
SUFNd 365i  
SUFd 3603

## Side walls heated on both sides

The heated side walls enable appliances to be placed on both sides at any niche height.





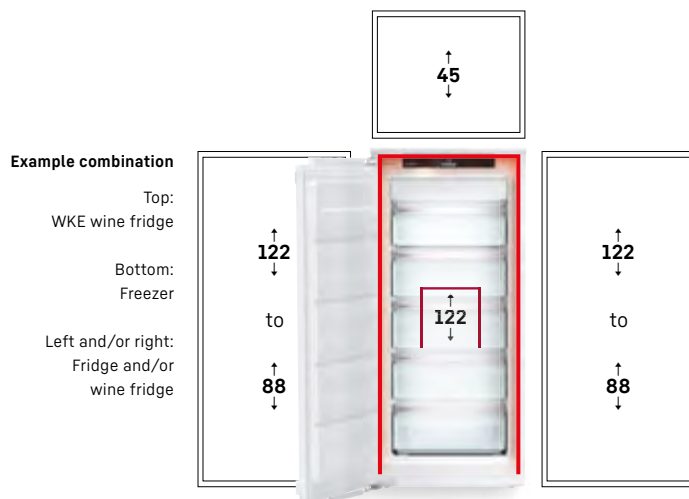
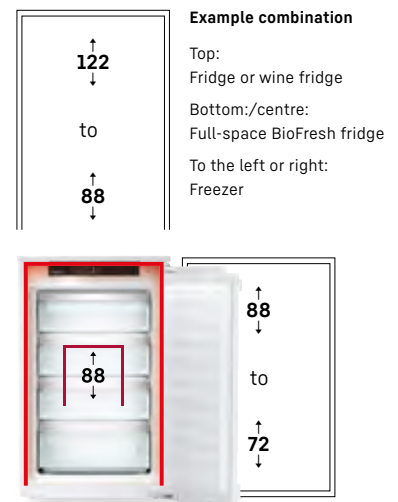
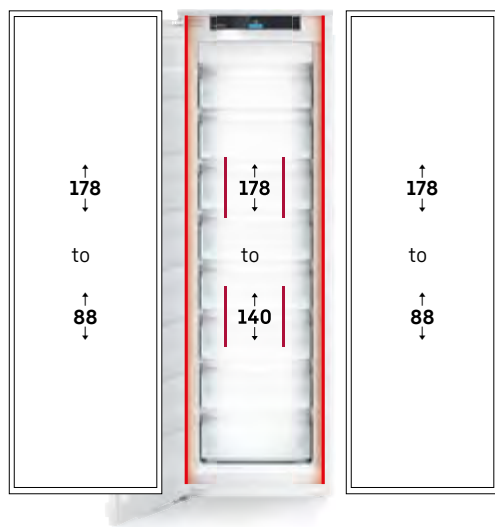


### Side walls heated on both sides

The heated side walls enable appliances to be placed on both sides at any niche height.

### Heated ceiling and side walls

The heated ceiling and heated side walls enable appliances to be combined above at any niche height. Double-sided combinations up to a niche height of 178 cm are possible.





## Always well connected

Almost all our appliances are either factory-equipped with a network connection module or can be retrofitted with the SmartDeviceBox.

This way, you will benefit from the many possibilities of our SmartDevice app and from connecting all fridges or freezers to your existing smart home environment. Important status and alarm notifications are sent directly to your smartphone, for example notification of an open fridge door via door alarm. Our SmartDevice app has much more to offer besides: As well as simple management and remote control of your appliances, the app also helps you with tips and tricks for your Liebherr appliance. The right accessories for each appliance, access to instruction manuals and much more can also be found here.



[home.liebherr.com/getsmart](https://home.liebherr.com/getsmart)

You can download the SmartDevice app here:





## Freshness without compromise

Reliability and durability are not just buzzwords for us. Why? Because at Liebherr, every tiny detail must meet our demanding requirements. Every functional part is extensively and intensively tested. This continues until we are convinced that our refrigerators and freezers are of the highest quality.



\*This guarantee is offered free charge for our most energy-efficient models; A and B rated fully integrated fridges, freezers and fridge-freezers. With our manufacturer's guarantee, you will not incur any costs for repair and service for 10 years. For more information, registration and guarantee conditions, go to: [home.liebherr.com/guarantee](https://home.liebherr.com/guarantee)

Please note that this guarantee is subject to registration and evidence of a qualifying purchase.



To learn more and view the guarantee terms and conditions, go to [home.liebherr.com/guarantee](https://home.liebherr.com/guarantee)

## Secure a 10-year manufacturer's guarantee\*:



### Buy now

Buy a qualifying Liebherr appliance\* from our webshop or a Liebherr specialist dealer by 31/12/2025.



### Register

Register your appliance within 12 months using our web form or SmartDevice app.



### Enjoy

Enjoy 10 years of Liebherr manufacturer's guarantee and long-lasting freshness.



# Refrigerators that leave all your options open – and your doors closed.

---

We don't develop refrigerators with the most functions. We develop refrigerators with exactly the right functions to store food safely and give our customers what they really need. To make their lives noticeably easier. And then we implement these features to technical perfection.

## You can never be too safe.



### Door alarm

Alarm when the door is open, visual as well with pulsating LED lighting.



### Temperature alarm

Visual and audible warning as soon as the temperature in the freezer compartment reaches a critical level.



### Power failure alarm

Visual and audible alarm in case of power failure for safe storage.



### Appliance failure alarm

Optical and acoustic warning in case of appliance failure.



### Reminder

Automatic reminder for maintenance and care.



### Input lock

Prevents all changes to settings or activation of functions.



### DemoMode

For optimal presentation of the appliance in showrooms: User interface and lighting on, cooling system off.

## A touch more convenience.



### CleaningMode

For a perfect view when cleaning, the lights stay on while the cooling system switches off.



### PartyMode

PartyMode activates functions like SuperCool and maximum ice production.



### HolidayMode

The fan, SuperCool and SuperFrost are switched off and the fridge temperature is increased to +15 °C to save electricity. The freezer compartment stays switched on.



### EnergySaver

Raises the standard temperature to maximum 7 °C to reduce power consumption.



### SabbathMode

All lighting and sounds are switched off, deactivating themselves after 80 hours.



### Language settings\*

Variable language setting for 12 languages on the display.



### Core competence cooling.



#### Temperature display

The display always shows the current temperature value. Flashing items in the menu indicate changes.



#### SuperFrost

Increased cooling in the freezer compartment for vitamin-preserving freezing.



#### SuperCool

Increase the cooling performance until the fresh food is as cool as the rest of the contents.



#### VarioTemp

Variable temperature setting between 2 °C and +14 °C means the entire freezer compartment can also be used for refrigeration or as a cellar compartment.

### Simply smart with the app.



#### NightMode

All sounds and noises are switched off – and the lighting is dimmed. For undisturbed quiet.



#### BottleTimer

Extra fast cooling by activating SuperFrost. The app sends an automatic reminder to take the bottles out of the ice compartment.



#### IceCubeTimer \*\*

Faster rate of ice cube production. As soon as the ice cubes are ready, the app sends a notification.



#### AutoDoor (only with selected fully integrated appliances with AutoDoor)

Unique worldwide: Convenient opening and closing of the door via voice command, knocking signal and smartphone – or simply by hand.

\*Function only available with Touch & Swipe display.

\*\*Available only in the Prime and Peak series.

Accessories

## Practical accessories for every need.

---

Discover the versatility of the original Liebherr range of accessories for your fridge – and make your daily life a little easier.



## Organisational systems

A fridge compartment design to suit your needs: If you want to sort your groceries clearly, you could use the VarioSafe, VarioBoxes, variable egg trays and the FlexSystem, for example. Additional bottle shelves and clip-on labelling systems provide a clear overview of wine stocks.



VarioBoxes



FlexSystem



Bottle shelf

## Useful help of all kinds

From the practical butter dish to the easy-fill ice cube tray with a lid or the handy freezer tray, the range of accessories offers plenty of smart solutions for serving food and keeping it fresh.



Butter dish



Ice cube tray with lid



Freezer tray



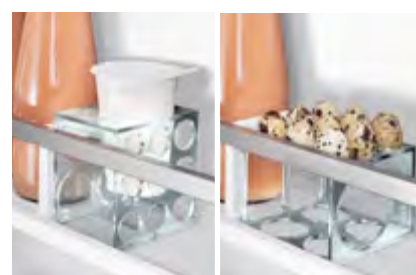
**FreshAir activated charcoal filter**

Cleans the circulating air and quickly binds unpleasant odours. The filter is easy to replace and ensures optimum air quality.



**SmartDeviceBox**

You can retrofit your Liebherr with a SmartDeviceBox to connect it to the internet. The SmartDeviceBox can be installed in just a few steps and will open up the whole world of digital possibilities to you today.



**FlexCube**

Want to store small tubes, open yoghurt pots or quail eggs safely? The FlexCube can fix that for you: Its various sized openings provide space for a large assortment of small items. The FlexCube's compact size means you can fit several of them in your fridge. The FlexCube is dishwasher safe and fits in all Liebherr bottle and can racks.



Please note that not all accessories fit all models. To find the accessory range for your appliance, please visit our webshop: [home.liebherr.com](http://home.liebherr.com) or buy them from your Liebherr dealer.

# Quality down to the finest detail



## SmartSteel rear wall

The rear wall in elegant SmartSteel gives your Liebherr a stylish look and feel. Your food will also love SmartSteel as stainless steel is food-safe and hygienic. SmartSteel also reduces the visibility of fingerprints – making the appearance even more pleasing.



## BioFresh

Crunchy salad and strawberries: the most delicate foods deserve a special place so they stay fresh longer – in BioFresh Safes. In the Fruit & Vegetable Safe the temperature is close to 0°C. Combined here with the constant humidity, thanks to the air-tight closure, unpackaged fruit and vegetables feel particularly at home. You do not have to adjust anything.



## IceMaker with fixed water connection

Are there any ice cubes left? An IceMaker means you never have to ask. With the IceMaker with fixed water connection, the water comes directly from the tap. The MaxIce function allows you to produce up to 1.5 kg of ice cubes a day. The ice cube separator helps to divide the drawer into any size you want – for example, ice cubes on the left, ice cream on the right – or just for ice cubes.



## LED side lighting on both sides

For a quick overview of everything in the refrigerator: thanks to the LED side lighting on both sides, your food is in view at all times. The LEDs are positioned so that your large refrigerator is also illuminated with food inside it. And the LEDs integrated flush into the side walls mean that the valuable usable area is fully maintained.



## NoFrost

The automatic defrosting function guarantees that frozen foods remain fresh. There is no longer a need to store frozen food temporarily during a manual defrost. The constant optimal freezing remains the same without interruptions. Both drawers run smoothly on telescopic rails even when fully loaded.



## Versatile bottle shelf

The versatile bottle shelf is an innovative feature in all BioFresh Premium models. It can be positioned above or below the glass shelf to suit individual requirements.



## Combined refrigerator-freezer with BioFresh and NoFrost for integrated use



**ECBNe 8872**

Door-on-door / built-in appliance for integrated use

Energy efficiency class:	
Energy consumption per year / 24 h:	<b>339 / 0.928 kWh</b>
Total volume <sup>1</sup> :	<b>522 l</b>
Volume:	<b>Fridge: 292.2 l /</b>
	<b>BioFresh compartment: 70.6 l / Freezer compartment: 160 l</b>
Noise output / Sound power level:	<b>39 dB(A) / C</b>
Climate rating:	<b>SN-T (from +10 °C to +43 °C)</b>
Aperture dimensions in cm (h/w/d):	<b>203.2-207.2 / 91.5 / at least 63.5</b>



### Controls

- MagicEye, Touch electronics
- Digital temperature display for refrigerator and freezer compartment
- FrostControl
- Alarm in case of malfunction: visual and acoustic
- Door alarm: acoustic

### Fridge and BioFresh compartment

- PowerCooling
- GlassLine shelving with bottle carrier
- 3 GlassLine shelves
- Integrated bottle shelf
- LED BioFresh lighting
- 2 BioFresh Safes on telescopic rails, of which 2 variably adjustable from Fruit & Vegetable Safe to DrySafe

### Freezer compartment **\*\*\*\***

- 2 drawers, of which 2 on telescopic rails
- IceMaker for plumbed-in connection 3/4"
- Ice cube production in 24 h: 1.4 kg
- Ice cube storage: 2.7 kg
- LED lighting
- Temperature rise time: 17 h
- Freezing capacity in 24 h: 10 kg

### Key features

- Height-adjustable feet at front
- Door hinge left fixed / right fixed
- Replaceable door seal
- Rear wall in SmartSteel



**ECBNe 8871**

Door-on-door / built-in appliance for integrated use

Energy efficiency class:	
Energy consumption per year / 24 h:	<b>339 / 0.928 kWh</b>
Total volume <sup>1</sup> :	<b>522 l</b>
Volume:	<b>Fridge: 292.2 l /</b>
	<b>BioFresh compartment: 70.6 l / Freezer compartment: 160 l</b>
Noise output / Sound power level:	<b>39 dB(A) / C</b>
Climate rating:	<b>SN-T (from +10 °C to +43 °C)</b>
Aperture dimensions in cm (h/w/d):	<b>203.2-207.2 / 91.5 / at least 63.5</b>



### Controls

- MagicEye, Touch electronics
- Digital temperature display for refrigerator and freezer compartment
- FrostControl
- Alarm in case of malfunction: visual and acoustic
- Door alarm: acoustic

### Fridge and BioFresh compartment

- PowerCooling
- GlassLine shelving with bottle carrier
- 3 GlassLine shelves
- Integrated bottle shelf
- LED BioFresh lighting
- 2 BioFresh Safes on telescopic rails, of which 2 variably adjustable from Fruit & Vegetable Safe to DrySafe

### Freezer compartment **\*\*\*\***

- 2 drawers, of which 2 on telescopic rails
- IceMaker for plumbed-in connection 3/4"
- Ice cube production in 24 h: 1.4 kg
- Ice cube storage: 2.7 kg
- LED lighting
- Temperature rise time: 17 h
- Freezing capacity in 24 h: 10 kg

### Key features

- Height-adjustable feet at front
- Reversible door hinge, left
- Replaceable door seal

Choose from left (**ECBNe 8871 617**) or right (**ECBNe 8870 001**) hand hinge, fixed.

<sup>1</sup> In accordance with Regulation EU 2019/2016 we indicate the total volume to the nearest integer (rounded off) and the volume of the frozen compartments and refrigeration compartments to one place after the decimal point. You can find the full range of efficiency classes on page 13. According to (EU) 2017/1369 6a.

## Quality down to the finest detail

---



### IceMaker with fixed water connection

Are there any ice cubes left? An IceMaker means you never have to ask. With the IceMaker with fixed water connection, the water comes directly from the tap. The MaxIce function allows you to produce up to 1.2 kg of ice cubes a day. The ice cube separator helps to divide the drawer into any size you want – for example, ice cubes on the left, ice cream on the right – or just for ice cubes.



### LED BioFresh lighting

Experience the pleasure of brightly lit fresh fruit and vegetables. The LED BioFresh lighting shows off the contents of your BioFresh Safe in its best light. The lighting is positioned centrally above the BioFresh Safes and supplemented by LED light columns on both sides. These extend into the topmost BioFresh Safe ensuring bright illumination.



### BioFresh

Crunchy salad and strawberries: the most delicate foods deserve a special place so they stay fresh longer – in BioFresh Safes. In the Fruit & Vegetable Safe the temperature is close to 0°C. Combined here with the constant humidity, thanks to the air-tight closure, unpackaged fruit and vegetables feel particularly at home. You do not have to adjust anything.



### LED side lighting on both sides

For a quick overview of everything in the refrigerator: thanks to the LED side lighting on both sides, your food is in view at all times. The LEDs are positioned so that your large refrigerator is also illuminated with food inside it. And the LEDs integrated flush into the side walls mean that the valuable usable area is fully maintained.

## Integrated fridge-freezer with BioFresh and NoFrost



**ECBNe 7871**



**ECBNe 7870**

Door-on-door / built-in appliance for integrated use

Energy efficiency class:	
Energy consumption per year / 24 h:	<b>304 / 0.832 kWh</b>
Total volume <sup>1</sup> :	<b>402 l</b>
Volume: Fridge: 215.3 l / BioFresh compartment: 62.1 l / Freezer compartment: 125 l	
Noise output / Sound power level:	<b>39 dB(A) / C</b>
Climate rating:	<b>SN-T (from +10 °C to +43 °C)</b>
Aperture dimensions in cm (h/w/d):	<b>203.2-207.2 / 76.2 / at least 63.5</b>



### Controls

- MagicEye, Touch electronics
- Digital temperature display for refrigerator and freezer compartment
- FrostControl
- Alarm in case of malfunction: visual and acoustic
- Door alarm: acoustic

### Fridge and BioFresh compartment

- PowerCooling
- GlassLine shelving with bottle carrier
- 3 GlassLine shelves, of which 1 divisible
- Integrated bottle shelf
- LED light column, both sides
- LED BioFresh lighting
- 2 BioFresh Safes on telescopic rails, of which 2 variably adjustable from Fruit & Vegetable Safe to DrySafe

### Freezer compartment **\*\*\*\***

- 2 drawers, of which 2 on telescopic rails
- IceMaker for plumbed-in connection 3/4"
- Ice cube production in 24 h: 1.2 kg
- Ice cube storage: 2.7 kg
- LED lighting
- Temperature rise time: 14 h
- Freezing capacity in 24 h: 8 kg

### Key features

- Height-adjustable feet at front
- Reversible door hinge, left
- Replaceable door seal
- Rear wall in SmartSteel

Choose from left (**ECBNe 7871 617**) or right (**ECBNe 7870 001**) hand hinge, fixed.

Stainless steel panels and handles available as accessories.

Door-on-door / built-in appliance for integrated use

Energy efficiency class:	
Energy consumption per year / 24 h:	<b>304 / 0.832 kWh</b>
Total volume <sup>1</sup> :	<b>402 l</b>
Volume: Fridge: 215.3 l / BioFresh compartment: 62.1 l / Freezer compartment: 125 l	
Noise output / Sound power level:	<b>39 dB(A) / C</b>
Climate rating:	<b>SN-T (from +10 °C to +43 °C)</b>
Aperture dimensions in cm (h/w/d):	<b>203.2-207.2 / 76.2 / at least 63.5</b>



### Controls

- MagicEye, Touch electronics
- Digital temperature display for refrigerator and freezer compartment
- FrostControl
- Alarm in case of malfunction: visual and acoustic
- Door alarm: acoustic

### Fridge and BioFresh compartment

- PowerCooling
- GlassLine shelving with bottle carrier
- 3 GlassLine shelves, of which 1 divisible
- Integrated bottle shelf
- LED light column, both sides
- LED BioFresh lighting
- 2 BioFresh Safes on telescopic rails, of which 2 variably adjustable from Fruit & Vegetable Safe to DrySafe

### Freezer compartment **\*\*\*\***

- 2 drawers, of which 2 on telescopic rails
- IceMaker for plumbed-in connection 3/4"
- Ice cube production in 24 h: 1.2 kg
- Ice cube storage: 2.7 kg
- LED lighting
- Temperature rise time: 14 h
- Freezing capacity in 24 h: 8 kg

### Key features

- Height-adjustable feet at front
- Reversible door hinge, right
- Replaceable door seal
- Rear wall in SmartSteel

<sup>1</sup> In accordance with Regulation EU 2019/2016 we indicate the total volume to the nearest integer (rounded off) and the volume of the frozen compartments and refrigeration compartments to one place after the decimal point. You can find the full range of efficiency classes on page 13. According to (EU) 2017/1369 6a.

For a clear overview.  
Even before you  
open the fridge.

---

○ Pure

◇ Plus

⬡ Prime

△ Peak

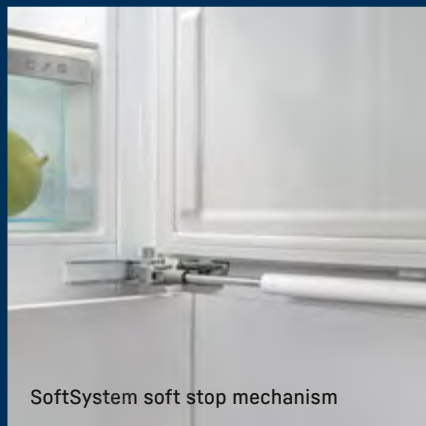
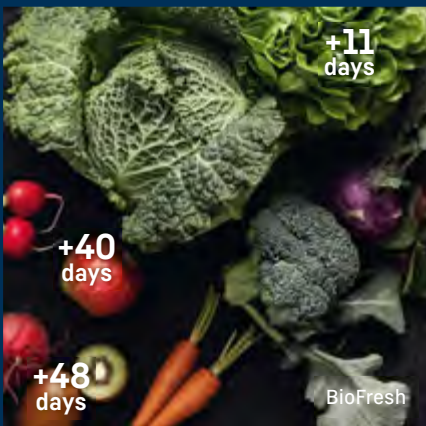
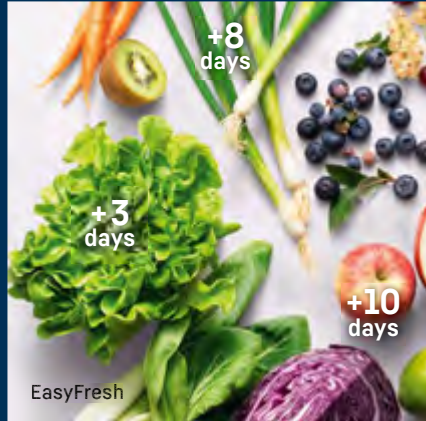
Which appliance is right for me?

This customer question is not always easy to answer.

That's why we have made things even simpler by dividing  
our product range into four easy to understand series.

○ **Pure series**

The Pure series is our basic class. Simple, clear and perfectly equipped for all essential needs. Appliances in the Pure series are stripped down to the essentials. But full to the brim with the highest level of Liebherr quality.

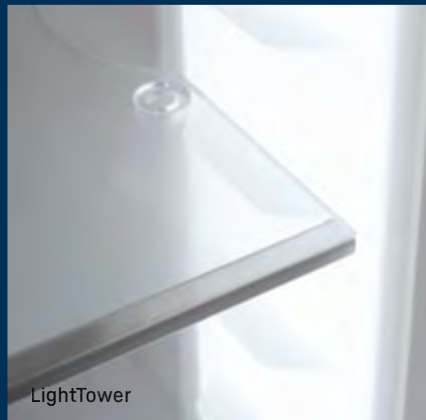


◇ **Plus series**

The Plus series builds on our Pure series and has many impressive additional details. Above all, Plus means a plus in comfort. The appliances not only provide first-class refrigerating and freezing, they are also just that little bit smarter. They help make much of the handling a little easier.

◊ **Prime series**

With the Prime series things get much more classy. It makes an unmistakable mark in terms of design and material. Above all, genuine materials are used inside the appliances, such as stainless steel. But also special lighting solutions make the appliances in this series particularly appealing.



△ **Peak series**

The Peak series sits at the top of our series. This combines the best with the best. There is no compromise. Innovative Liebherr technology meets high-end design and comfort solutions that are simply the best in its class. Appliances in this series are for those who want everything.

# Overview of product range according to niche and series

## Side-by-Side Freshness Centres

178 178

### Door-on-door

BioFresh

EasyFresh | BioFresh  
NoFrost | NoFrost

### Combination | Combination

**IXCC 5155**

SICNdi 5153 | ICBNci 5153 

### Door-on-door

BioFresh Professional

NoFrost |  
IceTower | BioFresh

### Freezer | Fridge

**IXRF 5175**

SIFNdi 5188 | IRBPci 5170 

NoFrost | HydroBreeze  
IceTower | InfinitySpring  
AutoDoor | AutoDoor

**IXRFA 5175**

SIFNAd 5188 | IRBAc 5190 

BioFresh

NoFrost | BioFresh

**IXRF 5125**

SIFNe 5128 | IRBd 5120 

EasyFresh

NoFrost | EasyFresh

**IXRF 5100**

SIFNe 5108 | IRe 5100 

### Sliding door

BioFresh

NoFrost | BioFresh

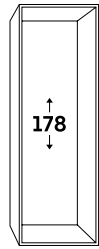
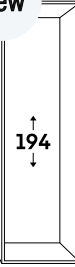
### Freezer | Fridge

**IXRFS 5125**

SIFNSe 5128 | IRBSd 5120 

## Combined fridge-freezer

New





### Door-on-door

BioFresh Professional

NoFrost/HydroBreeze/Fish & Seafood

NoFrost/HydroBreeze

ICBNci 5183 

ICBNbsci 5173 


SmartFrost/HydroBreeze


BioFresh

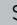
ICBNci 5663 


ICBNdi 5163 

NoFrost


ICBNbi 5153 


ICBNci 5153 

ICBNc 5623 

ICBNdi 5123 

SmartFrost

ICBa 5123 


ICBbi 5122 

EasyFresh


NoFrost


SICNdi 5153 

ICNb 5123 


ICNd 5123 

ICNd 5603 

ICNc 5103 

ICNe 5103 

SmartFrost


ICe 5103 

ICe 5103 


### Sliding door

EasyFresh

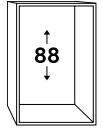
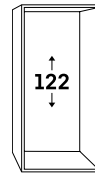
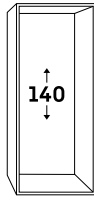
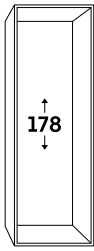
NoFrost

ICNSd 5603 

SmartFrost

ICSe 5103 

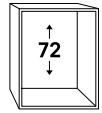
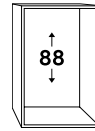
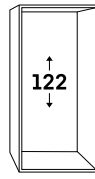
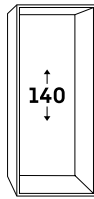
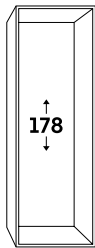
- Peak series
- Prime series
- Plus series
- Pure series



## Fridges

### Door-on-door

<b>BioFresh Professional</b>				
HydroBreeze	IRBbsci 5170	76		
	IRBAc 5190	74		
	IRBci 5170	77		
	IRBci 5180	76		
<b>BioFresh</b>				
	IRBPci 5170	75		
	IRBbi 5150	78	IRBci 4550 80	IRBci 4150 80
	IRBd 5120	78	IRBc 4520 82	
<b>EasyFresh</b>				
			IRd 4520 83	IRci 3950 85
				IRc 3920 85
	IRe 5100 82			IRc 3921 86
	IRe 5101 82		IRe 4100 84	IRe 3900 87
			IRe 4101 84	
<b>Bottle pull-out</b>				
	IRDdi 5120 81			
<b>Sliding door</b>				
<b>BioFresh</b>				
	IRBSd 5120 79		IRBSd 4120 83	
<b>EasyFresh</b>				
				IRSe 3900 87
				IRSe 3901 86



## Freezers

### Door-on-door

<b>NoFrost/IceTower</b>				
	SIFNAd 5188	95		
	SIFNbsdi 5188	96		
	SIFNdi 5188	96		
<b>NoFrost</b>				
			SIFNdi 4556 98	SIFNdi 4155 89
	SIFNe 5128	97		SIFNci 3954 99
	SIFNe 5108	98		IFNd 3924 99
			IFd 3904 100	IFNd 3503 101
<b>Sliding door</b>				
<b>NoFrost</b>				
	SIFNSe 5128	97		
<b>SmartFrost</b>				
			IFSD 3904	102



IXRF 5175 Δ Peak series

SIFNdi 5188 Δ Peak series



---

# Side-by-Side

---



IRBPci 5170 Δ Peak series

**Side  
by  
Side**

Create your own freshness centre with our side by side fridges, freezers and wine cabinets in various recesses. For more information about the Side-by-Side concept see pages 30-33.

## Integrated Side-by-Side Freshness Centres



### IXCC 5155

Prime

#### SICNdi 5153 Prime

Door-on-door / built-in appliance for integrated use

Energy efficiency class:



Energy consumption per year / 24 h: **181 / 0.495 kWh**

Total volume <sup>1</sup>: **254 l**

Volume: **Fridge: 184.4 l / Freezer compartment: 70 l**

Noise output / Sound power level: **34 dB(A) / B, SuperSilent**

Climate rating: **SN-T (from +10 °C to +43 °C)**

Aperture dimensions in cm (h/w/d): **177.2-178.8 / 56-57 / at least 55.0**

#### ICBNci 5153 Prime

Door-on-door / built-in appliance for integrated use

Energy efficiency class:



Energy consumption per year / 24 h: **166 / 0.454 kWh**

Total volume <sup>1</sup>: **245 l**

Volume: **Fridge: 104.1 l / BioFresh compartment: 71.2 l / Freezer compartment: 70 l**

Noise output / Sound power level: **33 dB(A) / B, SuperSilent**

Climate rating: **SN-ST (from +10 °C to +38 °C)**

Aperture dimensions in cm (h/w/d): **177.2-178.8 / 56-57 / at least 55.0**

Easy Fresh	Duo Cooling	No Frost	Super Cool	Super Frost	Vario Temp	Glass & Steel Interior	Light Tower	Soft System
Super Silent	Touch & Swipe Display	Vario Space	Smart Device					

#### Controls

- 2.4" TFT-colour display, touch- & swipe-electronics
- Digital temperature display for refrigerator and freezer compartment
- SmartDeviceBox included
- Alarm in case of malfunction: visual and acoustic
- Door alarm Fridge-freezer compartment: visual and acoustic

#### Fridge compartment

- PowerCooling with FreshAir active carbon filter
- GlassLine shelving with bottle holder, removable VarioBoxes, adjustable egg tray, butter dish
- 5 GlassLine shelves, of which 1 divisible
- VarioSafe
- 3 Bottle shelf
- LightTower
- 1 EasyFresh Safe with partial extension on telescopic rails

#### Freezer compartment ❄️❄️❄️

- 3 drawers, VarioSpace
- Ice cube tray with lid
- LED lighting
- Temperature rise time: 9 h
- Freezing capacity in 24 h: 6 kg
- Safety glass fittings

#### Key features

- Side-panel heating on both sides, suitable for combination with other fridges, freezers and/or wine appliances
- Height-adjustable feet at front
- Reversible door hinge, left
- Replaceable door seal
- Rear wall in stainless steel with SmartSteel

Bio Fresh	Duo Cooling	No Frost	Super Cool	Super Frost	Vario Temp	Glass & Steel Interior	Light Tower	Soft System
Soft Telescopic Rails	Super Silent	Touch & Swipe Display	Vario Space	Smart Device				

#### Controls

- 2.4" TFT-colour display, touch- & swipe-electronics
- Digital temperature display for fridge, BioFresh and freezer compartments
- SmartDeviceBox included
- Alarm in case of malfunction: visual and acoustic
- Door alarm Fridge-freezer compartment: visual and acoustic

#### Fridge and BioFresh compartment

- PowerCooling with FreshAir active carbon filter
- GlassLine shelving with bottle holder, removable VarioBoxes, adjustable egg tray, butter dish
- 3 GlassLine shelves, of which 1 divisible
- Integrated bottle shelf
- LightTower
- LED BioFresh lighting
- 2 BioFresh Safes with SoftTelescopic, 1 Fruit & Vegetable Safe, 1 Meat & Dairy Safe

#### Freezer compartment ❄️❄️❄️

- 3 drawers, VarioSpace
- Ice cube tray with lid
- LED lighting
- Temperature rise time: 9 h
- Freezing capacity in 24 h: 6 kg
- Safety glass fittings

#### Key features

- Height-adjustable feet at front
- Reversible door hinge, right
- Replaceable door seal
- Rear wall in stainless steel with SmartSteel



## IXRFA 5175

Peak

### SIFNA 5188 Peak

Door-on-door / built-in appliance for integrated use

Energy efficiency class:	D <small>A G</small>
Energy consumption per year / 24 h:	190 / 0.520 kWh
Total volume <sup>1</sup> :	213 l
Volume:	Freezer compartment: 213 l
Noise output / Sound power level:	33 dB(A) / B, SuperSilent
Climate rating:	SN-T (from +10 °C to +43 °C)
Aperture dimensions in cm (h/w/d):	177.7-179.3 / 56-57 / at least 55.0

### IRBAc 5190 Peak

Door-on-door / built-in appliance for integrated use

Energy efficiency class:	C <small>A G</small>
Energy consumption per year / 24 h:	100 / 0.274 kWh
Total volume <sup>1</sup> :	296 l
Volume:	Fridge: 198.1 l / BioFresh compartment: 97.9 l
Noise output / Sound power level:	32 dB(A) / B, SuperSilent
Climate rating:	SN-T (from +10 °C to +43 °C)
Aperture dimensions in cm (h/w/d):	177.7-179.3 / 56-57 / at least 55.0

No Frost	Super Frost	LED	Ice Tower	Ice Maker	Auto Door	Soft System	Telescopic Rails	Super Silent
Touch & Swipe Display	Vario Space	Smart Device						

#### Controls

- 2.4" TFT-colour display, touch- & swipe-electronics
- Digital temperature display
- SmartDeviceBox included
- Alarm in case of malfunction: visual and acoustic
- Door alarm freezer compartment: visual and acoustic

#### Freezer compartment **\*\*\*\***

- 8 drawers, of which 5 on telescopic rails, VarioSpace
- IceTower
- IceMaker with fixed water connection 3/4", LED lighting
- Ice cube production in 24 h: 0.8 kg
- Ice cube storage: 5.7 kg
- LED lighting
- Temperature rise time: 9 h
- Freezing capacity in 24 h: 12 kg
- 1 cold storage accumulator
- Safety glass fittings
- Freezer tray

#### Key features

- Side-panel heating on both sides, suitable for combination with other fridges, freezers and/or wine appliances
- Height-adjustable feet at front
- Reversible door hinge, left
- Replaceable door seal

Choose from left (**617**) or right (**001**) hand hinge, fixed.

Must be chosen at the point of sale, or completed by Liebherr trained and approved service agents.

Bio Fresh Professional	Hydro Breeze	Super Cool	Glass & Steel Interior	Light Tower	Infinity Spring	Auto Door	Soft System	Soft-Telescopic Rails
Super Silent	Touch & Swipe Display	Smart Device						

#### Controls

- 2.4" TFT-colour display, touch- & swipe-electronics
- Digital temperature display for refrigerator and BioFresh compartment
- SmartDeviceBox included
- Alarm in case of malfunction: visual and acoustic
- Door alarm fridge compartment: visual and acoustic

#### Fridge and BioFresh compartment

- PowerCooling with Ambilight and FreshAir active carbon filter
- GlassLine shelving with bottle holder, removable VarioBoxes, adjustable egg tray, butter dish
- 6 GlassLine shelves, of which 1 divisible
- VarioSafe
- Integrated bottle shelf
- LightTower
- LED BioFresh lighting

- 3 BioFresh Safes with SoftTelescopic, 2 Fruit & Vegetable Safes, of which 1 with HydroBreeze, 1 Meat & Dairy Safe, 1 FlexSystem
- InfinitySpring with fixed water connection 3/4"

#### Key features

- Height-adjustable feet at front
- Reversible door hinge, right
- Replaceable door seal
- Rear wall and door panel in stainless steel with SmartSteel

#### Also available as:

**IXRF 5175** (SIFNdi 5188 & IRBpci 5170) without AutoDoor

## Integrated Side-by-Side Freshness Centres



### IXRF 5125

Plus

#### SIFNe 5128 Plus

Door-on-door / built-in appliance for integrated use

Energy efficiency class:



Energy consumption per year / 24 h: **237 / 0.649 kWh**

Total volume <sup>1</sup>: **213 l**

Volume: **Freezer compartment: 213 l**

Noise output / Sound power level: **33 dB(A) / B, SuperSilent**

Climate rating: **SN-T (from +10 °C to +43 °C)**

Aperture dimensions in cm (h/w/d): **177.2-178.8 / 56-57 / at least 55.0**

#### IRBd 5120 Plus

Door-on-door / built-in appliance for integrated use

Energy efficiency class:



Energy consumption per year / 24 h: **125 / 0.342 kWh**

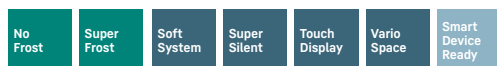
Total volume <sup>1</sup>: **294 l**

Volume: **Fridge: 195.8 l / BioFresh compartment: 98.2 l**

Noise output / Sound power level: **33 dB(A) / B, SuperSilent**

Climate rating: **SN-T (from +10 °C to +43 °C)**

Aperture dimensions in cm (h/w/d): **177.2-178.8 / 56-57 / at least 55.0**



#### Controls

- LC monochrome display, touch electronic
- Digital temperature display
- SmartDeviceBox: as an optional accessory
- Alarm in case of malfunction: visual and acoustic
- Door alarm freezer compartment: visual and acoustic

#### Freezer compartment **\*\*\*\***

- 8 drawers with integrated drawer guide, VarioSpace
- Ice cube tray
- Temperature rise time: 9 h
- Freezing capacity in 24 h: 12 kg
- Freezer tray

#### Key features

- Side-panel heating on both sides, suitable for combination with other fridges, freezers and/or wine appliances
- Height-adjustable feet at front
- Reversible door hinge, left
- Replaceable door seal

Stainless steel panel and handle available as optional accessory: No. 9902007

#### Controls

- LC monochrome display, touch electronic
- Digital temperature display for refrigerator compartment
- SmartDeviceBox: as an optional accessory
- Alarm in case of malfunction: visual and acoustic
- Door alarm fridge compartment: visual and acoustic

#### Fridge and BioFresh compartment

- PowerCooling with FreshAir active carbon filter
- Plastic storage racks with bottle holder, egg tray, FlexCube
- 6 GlassLine shelves, of which 1 divisible
- Integrated bottle shelf
- LED ceiling lighting
- 3 BioFresh Safes with partial extension on telescopic rails, 2 Fruit & Vegetable Safes, 1 Meat & Dairy Safe

#### Key features

- Height-adjustable feet at front
- Reversible door hinge, right
- Replaceable door seal
- Rear wall in plastic

Also available as:

**IXRFS 5125** (SIFNe 5128 & IRBsd 5120) with Sliding door



## IXRF 5100

Pure

### SIFNe 5108 Pure

Door-on-door / built-in appliance for integrated use

Energy efficiency class:	
Energy consumption per year / 24 h:	237 / 0.649 kWh
Total volume <sup>1</sup> :	213 l
Volume:	Freezer compartment: 213 l
Noise output / Sound power level:	33 dB(A) / B, SuperSilent
Climate rating:	SN-T (from +10 °C to +43 °C)
Aperture dimensions in cm (h/w/d):	177.2-178.8 / 56-57 / at least 55.0



#### Controls

- LC monochrome display, touch electronic
- Digital temperature display
- SmartDeviceBox: as an optional accessory
- Alarm in case of malfunction: visual and acoustic
- Door alarm freezer compartment: visual and acoustic

#### Freezer compartment **\*\*\*\*\***

- 8 drawers with integrated drawer guide, VarioSpace
- Temperature rise time: 9 h
- Freezing capacity in 24 h: 12 kg
- Safety glass fittings

#### Key features

- Side-panel heating on both sides, suitable for combination with other fridges, freezers and/or wine appliances
- Height-adjustable feet at front
- Reversible door hinge, left
- Replaceable door seal

Stainless steel panel and handle available as optional accessory: No. 9902007

### IRe 5100 Pure

Door-on-door / built-in appliance for integrated use

Energy efficiency class:	
Energy consumption per year / 24 h:	114 / 0.312 kWh
Total volume <sup>1</sup> :	308 l
Volume:	Fridge: 308.8 l
Noise output / Sound power level:	33 dB(A) / B, SuperSilent
Climate rating:	SN-T (from +10 °C to +43 °C)
Aperture dimensions in cm (h/w/d):	177.2-178.8 / 56-57 / at least 55.0



#### Controls

- LC monochrome display, touch electronic
- Digital temperature display
- SmartDeviceBox: as an optional accessory
- Alarm in case of malfunction: visual and acoustic
- Door alarm fridge compartment: visual and acoustic

#### Fridge compartment

- PowerCooling with FreshAir active carbon filter
- Plastic storage racks with bottle holder, egg tray
- 7 GlassLine shelves
- Bottle shelf
- LED ceiling lighting
- 1 EasyFresh Safe with partial extension on telescopic rails
- 1 vegetable drawer running on telescopic rails
- 2 fruit/vegetable compartments

#### Key features

- Height-adjustable feet at front
- Reversible door hinge, right
- Replaceable door seal



SICndi 5153 ◯ Prime series

---

# Fridge-freezers

---



# Fridge-freezers

---



○ Pure Series



◇ Plus Series



◻ Prime Series



△ Peak Series\*



	○ Pure Series	◇ Plus Series	⬡ Prime Series	△ Peak Series *
<b>Freshness technology</b>	EasyFresh	EasyFresh	EasyFresh <b>on telescopic rails</b>	EasyFresh on telescopic rails
		<b>BioFresh on telescopic rails</b>	<b>BioFresh with SoftTelescopic</b>	<b>BioFresh Professional with SoftTelescopic</b>
				<b>HydroBreeze</b>
				<b>Fish &amp; Seafood safe</b>
	DuoCooling	DuoCooling	DuoCooling	DuoCooling
	FreshAir filter	FreshAir filter	FreshAir filter	FreshAir filter
	SmartFrost	SmartFrost	SmartFrost	SmartFrost
	NoFrost	NoFrost	NoFrost	NoFrost <b>on telescopic rails</b>
<b>Comfort and flexibility</b>		<b>Separable glass shelf</b>	Separable glass shelf	Separable glass shelf
		<b>SoftSystem soft stop mechanism</b>	SoftSystem soft stop mechanism	SoftSystem soft stop mechanism
		<b>VarioSafe</b>	VarioSafe	VarioSafe
			<b>VarioBoxes</b>	VarioBoxes
			<b>Butter dish</b>	Butter dish
	Egg tray	Egg tray	<b>Variable</b> egg tray	Variable egg tray
	Bottle shelf *	Bottle shelf	Bottle shelf	Bottle shelf
		<b>Ice cube tray</b>	Ice cube tray <b>With lid</b>	Ice cube tray With lid
			<b>FlexSystem</b>	
			<b>Freezer tray</b>	
<b>Design</b>	Ceiling lighting fridge compartment	Ceiling lighting fridge compartment	<b>LightTower</b>	LightTower
			<b>BioFresh Safe lighting</b>	BioFresh Safe lighting
			<b>Freezer compartment lighting</b>	Freezer compartment lighting
				<b>IceMaker lighting</b>
				<b>Fan lighting</b>
		<b>SmartSteel rear wall **</b>	SmartSteel rear wall	SmartSteel rear wall
				<b>SmartSteel door interior</b>
	Transparent glass	Transparent glass	<b>Satin finish glass</b>	Satin finish glass
			<b>Glass and steel interior</b>	Glass and steel interior
	Touch display	Touch display	<b>Touch &amp; Swipe display</b>	Touch & Swipe display
<b>Connectivity (SmartDeviceBox)</b>	Retrofitable	Retrofitable or <b>Integrated</b> ("i" models)	Retrofitable or Integrated ("i" models)	
<b>Water and ice</b>		<b>IceMaker</b>	IceMaker	IceMaker
				<b>InfinitySpring</b>

\* Not available on 194 cm niche models  
 \*\* Only for 194 cm niche models

Differentiating equipment is **highlighted** in the next higher series.

# Quality down to the finest detail



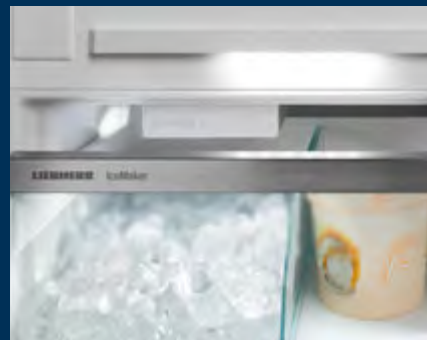
## EasyFresh

The guarantee of market freshness in the home is our EasyFresh Safe. Whether it's unpackaged vegetables or fruit, this ensures optimal storage for everything. Thanks to the air-tight closure, the food causes the humidity in the safe to rise. This keeps the food fresh for a long time.



## SuperSilent

Shhh – listen carefully. Your Liebherr is so quiet that you have to strain your ears to hear it. How is this achieved? All refrigeration components such as compressors, valves, fans and evaporators are optimised and perfectly adapted to one another. This means you only hear what you want to hear in your kitchen.



## IceMaker

Are there any ice cubes left? An IceMaker means you never have to ask. With the IceMaker with fixed water connection, the water comes directly from the tap. The MaxIce function allows you to produce up to 1.5 kg of ice cubes a day. The ice cube separator helps to divide the drawer into any size you want – for example, ice cubes on the left, ice cream on the right – or just for ice cubes.



## NoFrost

When you open your freezer, you want to see frozen food – and certainly not ice and frost. NoFrost protects the freezer compartment from unwanted icing, which consumes a lot of energy and can be expensive. NoFrost means no more tedious and time-consuming defrosting of the freezer compartment, more time for other things – and saving money.



## BioFresh Professional

Do you want to cool fruit and vegetables like professionals? You'll be inspired by HydroBreeze. The cold mist combined with a temperature in the safe of around 0 °C gives food that extra boost for longer shelf life. And it creates a genuine visual wow effect. HydroBreeze is activated every 90 min. for 4 seconds and for 8 seconds when the door is opened.



## DuoCooling

DuoCooling uses two completely separate refrigeration circuits to ensure no air is exchanged between the fridge and freezer compartments. The food does not dry out, or spread odour. This means throwing less away, shopping less often, but saving more and greater enjoyment.



### LED freezer compartment lighting

The LED freezer compartment lighting ensures your freezer drawers are pleasantly lit. This makes it even easier for you to find the food you want. The energy-efficient LED unit is elegantly positioned above the drawers to save space.



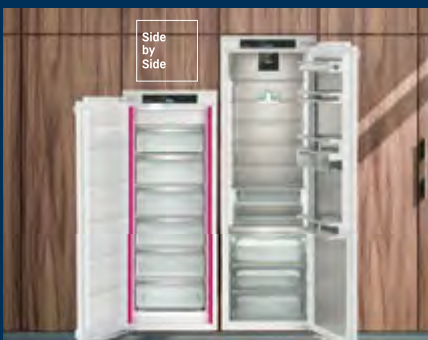
### LightTower

Enjoy an optimally illuminated interior: the LightTower shows off the food in its best light and is positioned so that all of your filled fridge is illuminated at all times. The flush mounting of the LightTower in the side walls means there is also more space for your food.



### FlexSystem

Small and delicate fruit in the refrigerator can easily roll out of sight or become crushed. That's why your Liebherr comes with the FlexSystem. Two flexibly positionable boxes in the BioFresh Safe ensure everything is clearly arranged and organised. And they also safely protect even the smallest raspberry from bruising or from being mixed up with other foods.



### Side-by-Side concept

The side-by-side concept makes it possible to position fridges, freezers and wine fridges to suit your needs. Special technology for controlling the environment between appliances with major temperature differences enables numerous combinations. More information see pages 30-33.



### Ambient lighting

Our ambient lighting brings a special design touch to your refrigerator. The all-around lighting produces unique effects in the interior, enhancing the overall atmosphere. Paired with the SmartSteel-designed rear wall and the sleek black high-gloss fan, it creates a captivating and ambient space.



### 2 in 1 egg tray

Do you like chicken eggs? So does your Liebherr – that's why it has the 2in1 egg tray. This not only provides space for up to 20 chicken eggs, but also for up to 24 quail eggs. The egg tray consists of an outer and an inner part which can be slid into each other in different ways. By turning the tray over, the quail egg holes can be used.

## Integrated fridge-freezer with BioFresh and NoFrost




↑  
194  
↓

### ICBNci 5663

Prime

Door-on-door / built-in appliance for integrated use

Energy efficiency class:	
Energy consumption per year / 24 h:	<b>162 / 0.443 kWh</b>
Total volume <sup>1</sup> :	<b>276 l</b>
Volume: Fridge: 134.0 l / BioFresh compartment: 71.2 l / Freezer compartment: 71 l	
Noise output / Sound power level:	<b>33 dB(A) / B, SuperSilent</b>
Climate rating:	<b>SN-T (from +10 °C to +43 °C)</b>
Aperture dimensions in cm (h/w/d):	<b>194-195 / 56-57 / at least 55.0</b>

Bio Fresh	Duo Cooling	No Frost	Super Cool	Super Frost	Vario Temp	Glass & Steel Interior	Light Tower	Ice Maker
Soft System	Soft-Telescopic Rails	Super Silent	Touch & Swipe Display	Vario Space	Smart Device			

#### Controls

- 2.4" TFT-colour display, touch- & swipe-electronics
- Digital temperature display for fridge, BioFresh and freezer compartments
- SmartDeviceBox included
- Alarm in case of malfunction: visual and acoustic
- Door alarm fridge compartment: visual and acoustic

#### Fridge and BioFresh compartment

- PowerCooling with FreshAir active carbon filter
- GlassLine shelving with bottle holder, removable VarioBoxes, adjustable egg tray, butter dish
- 3 GlassLine shelves, of which 1 divisible
- VarioSafe
- Integrated bottle shelf
- LightTower
- LED BioFresh lighting
- 2 BioFresh Safes with SoftTelescopic, 1 Fruit & Vegetable Safe, 1 Meat & Dairy Safe

#### Freezer compartment **\*\*\*\***

- 3 drawers, VarioSpace
- IceMaker for plumbed-in connection 3/4"
- Ice cube production in 24 h: 1.2 kg
- Ice cube storage: 5 kg
- LED lighting
- Temperature rise time: 9 h
- Freezing capacity in 24 h: 6 kg
- Safety glass fittings

#### Key features

- Height-adjustable feet at front
- Reversible door hinge, right
- Replaceable door seal
- Rear wall in stainless steel with SmartSteel




↑  
194  
↓

### ICBNc 5623

Plus

Door-on-door / built-in appliance for integrated use

Energy efficiency class:	
Energy consumption per year / 24 h:	<b>162 / 0.443 kWh</b>
Total volume <sup>1</sup> :	<b>273 l</b>
Volume: Fridge: 133.0 l / BioFresh compartment: 70.9 l / Freezer compartment: 70 l	
Noise output / Sound power level:	<b>33 dB(A) / B, SuperSilent</b>
Climate rating:	<b>SN-T (from +10 °C to +43 °C)</b>
Aperture dimensions in cm (h/w/d):	<b>194-195 / 56-57 / at least 55.0</b>

Bio Fresh	Duo Cooling	No Frost	Super Cool	Super Frost	Soft System	Super Silent	Touch Display	Vario Space
Smart Device Ready								

#### Controls

- LC monochrome display, Touch electronics
- Digital temperature display for refrigerator and freezer compartment
- SmartDeviceBox: as an optional accessory
- Alarm in case of malfunction: visual and acoustic
- Door alarm fridge compartment: visual and acoustic

#### Fridge and BioFresh compartment

- PowerCooling with FreshAir active carbon filter
- Plastic storage racks with bottle holder, egg tray, FlexCube
- 4 GlassLine shelves, of which 1 divisible
- Integrated bottle shelf
- LED ceiling lighting
- 2 BioFresh Safes with partial extension on telescopic rails, 1 Fruit & Vegetable Safe, 1 Meat & Dairy Safe

#### Freezer compartment **\*\*\*\***

- 3 drawers, VarioSpace
- Ice cube tray
- Temperature rise time: 9 h
- Freezing capacity in 24 h: 6 kg
- Safety glass fittings

#### Key features

- Height-adjustable feet at front
- Reversible door hinge, right
- Replaceable door seal
- Rear wall in stainless steel with SmartSteel
- Integrated fridge-freezer with BioFresh and NoFrost

## Integrated fridge-freezer with BioFresh Professional and NoFrost



**ICBNci 5183**

Peak



**ICBNbsci 5173**

Peak

Door-on-door / built-in appliance for integrated use

Energy efficiency class:	<b>C</b> <small>A G</small>
Energy consumption per year / 24 h:	<b>166 / 0.454 kWh</b>
Total volume <sup>1</sup> :	<b>246 l</b>
Volume: Fridge: 104.5 l / BioFresh compartment: 70.7 l / Freezer compartment: 71 l	
Noise output / Sound power level:	<b>33 dB(A) / B, SuperSilent</b>
Climate rating:	<b>SN-ST (from +10 °C to +38 °C)</b>
Aperture dimensions in cm (h/w/d):	<b>177.2-178.8 / 56-57 / at least 55.0</b>

Bio Fresh Professional	Hydro Breeze	Duo Cooling	No Frost	Super Cool	Super Frost	Vario Temp	Glass & Steel Interior	Light Tower
Infinity Spring	Ice Maker	Soft System	Soft-Telescopic Rails	Super Silent	Touch & Swipe Display	Vario Space	Smart Device	

### Controls

- 2.4" TFT-colour display, touch- & swipe-electronics
- Digital temperature display for fridge, BioFresh and freezer compartments
- SmartDeviceBox included
- Alarm in case of malfunction: visual and acoustic
- Door alarm Fridge-freezer compartment: visual and acoustic

### Fridge and BioFresh compartment

- PowerCooling with Ambilight and FreshAir active carbon filter
- GlassLine shelving with bottle holder, removable VarioBoxes, adjustable egg tray, butter dish
- 3 GlassLine shelves, of which 1 divisible
- Integrated bottle shelf
- LightTower
- LED BioFresh lighting
- 2 BioFresh Safes with SoftTelescopic, 1 Fruit & Vegetable Safe with HydroBreeze, 1 Meat & Dairy Safe, 1 FlexSystem
- InfinitySpring with fixed water connection 3/4"

### Freezer compartment **\*\*\*\***

- 3 drawers, of which 2 on telescopic rails, VarioSpace
- IceMaker with fixed water connection 3/4", LED lighting
- Ice cube production in 24 h: 1.2 kg
- Ice cube storage: 5 kg
- LED lighting
- Temperature rise time: 9 h
- Freezing capacity in 24 h: 6 kg
- Safety glass fittings
- Freezer tray

### Key features

- Height-adjustable feet at front
- Reversible door hinge, right
- Replaceable door seal
- Rear wall in stainless steel with SmartSteel, door panel in stainless steel with SmartSteel

Door-on-door / built-in appliance for integrated use

Energy efficiency class:	<b>C</b> <small>A G</small>
Energy consumption per year / 24 h:	<b>166 / 0.454 kWh</b>
Total volume <sup>1</sup> :	<b>246 l</b>
Volume: Fridge: 104.5 l / BioFresh compartment: 70.7 l / Freezer compartment: 71 l	
Noise output / Sound power level:	<b>33 dB(A) / B, SuperSilent</b>
Climate rating:	<b>SN-ST (from +10 °C to +38 °C)</b>
Aperture dimensions in cm (h/w/d):	<b>177.2-178.8 / 56-57 / at least 55.0</b>

Bio Fresh Professional	Hydro Breeze	Duo Cooling	No Frost	Super Cool	Super Frost	Vario Temp	Glass & Steel Interior	Light Tower
Ice Maker	Soft System	Soft-Telescopic Rails	Super Silent	Touch & Swipe Display	Vario Space	Smart Device		

### Controls

- 2.4" TFT-colour display, touch- & swipe-electronics
- Digital temperature display for fridge, BioFresh and freezer compartments
- SmartDeviceBox included
- Alarm in case of malfunction: visual and acoustic
- Door alarm Fridge-freezer compartment: visual and acoustic

### Fridge and BioFresh compartment

- PowerCooling with Ambilight and FreshAir active carbon filter
- GlassLine shelving with bottle holder, removable VarioBoxes, adjustable egg tray, butter dish
- 3 GlassLine shelves, of which 1 divisible
- Integrated bottle shelf
- LightTower
- LED BioFresh lighting
- 2 BioFresh Safes with SoftTelescopic, 1 Fruit & Vegetable Safe with HydroBreeze, 1 Meat & Dairy Safe, 1 FlexSystem

### Freezer compartment **\*\*\*\***

- 3 drawers, of which 2 on telescopic rails, VarioSpace
- IceMaker with fixed water connection 3/4", LED lighting
- Ice cube production in 24 h: 1.2 kg
- Ice cube storage: 5 kg
- LED lighting
- Temperature rise time: 9 h
- Freezing capacity in 24 h: 6 kg
- Safety glass fittings
- Freezer tray

### Key features

- Height-adjustable feet at front
- Reversible door hinge, right
- Replaceable door seal
- Rear wall and door panel in BlackSteel

## Integrated fridge-freezer with BioFresh and NoFrost



**ICBNdi 5163**

Prime

Door-on-door / built-in appliance for integrated use

Energy efficiency class:	<b>D</b> <small>A G</small>
Energy consumption per year / 24 h:	<b>208 / 0.569 kWh</b>
Total volume <sup>1</sup> :	<b>246 l</b>
Volume: Fridge: 104.1 l / BioFresh compartment: 71.2 l / Freezer compartment: 71 l	
Noise output / Sound power level:	<b>34 dB(A) / B, SuperSilent</b>
Climate rating:	<b>SN-ST (from +10 °C to +38 °C)</b>
Aperture dimensions in cm (h/w/d):	<b>177.2-178.8 / 56-57 / at least 55.0</b>

Bio Fresh	Duo Cooling	No Frost	Super Cool	Super Frost	Vario Temp	Glass & Steel Interior	Light Tower	Ice Maker
Soft System	Soft-Telescopic Rails	Super Silent	Touch & Swipe Display	Vario Space	Smart Device			

### Controls

- 2.4" TFT-colour display, touch- & swipe-electronics
- Digital temperature display for fridge, BioFresh and freezer compartments
- SmartDeviceBox included
- Alarm in case of malfunction: visual and acoustic
- Door alarm Fridge-freezer compartment: visual and acoustic

### Fridge and BioFresh compartment

- PowerCooling with FreshAir active carbon filter
- GlassLine shelving with bottle holder, removable VarioBoxes, adjustable egg tray, butter dish
- 3 GlassLine shelves, of which 1 divisible
- Integrated bottle shelf
- LightTower
- LED BioFresh lighting
- 2 BioFresh Safes with SoftTelescopic, 1 Fruit & Vegetable Safe, 1 Meat & Dairy Safe

### Freezer compartment **\*\*\*\***

- 3 drawers, VarioSpace
- IceMaker for plumbed-in connection 3/4"
- Ice cube production in 24 h: 1.2 kg
- Ice cube storage: 5 kg
- LED lighting
- Temperature rise time: 9 h
- Freezing capacity in 24 h: 6 kg
- Safety glass fittings

### Key features

- Height-adjustable feet at front
- Reversible door hinge, right
- Replaceable door seal
- Rear wall in stainless steel with SmartSteel



**ICBNci 5153**

Prime

Door-on-door / built-in appliance for integrated use

Energy efficiency class:	<b>C</b> <small>A G</small>
Energy consumption per year / 24 h:	<b>166 / 0.454 kWh</b>
Total volume <sup>1</sup> :	<b>245 l</b>
Volume: Fridge: 104.1 l / BioFresh compartment: 71.2 l / Freezer compartment: 70 l	
Noise output / Sound power level:	<b>33 dB(A) / B, SuperSilent</b>
Climate rating:	<b>SN-ST (from +10 °C to +38 °C)</b>
Aperture dimensions in cm (h/w/d):	<b>177.2-178.8 / 56-57 / at least 55.0</b>

Bio Fresh	Duo Cooling	No Frost	Super Cool	Super Frost	Vario Temp	Glass & Steel Interior	Light Tower	Soft System
Soft-Telescopic Rails	Super Silent	Touch & Swipe Display	Vario Space	Smart Device				

### Controls

- 2.4" TFT-colour display, touch- & swipe-electronics
- Digital temperature display for fridge, BioFresh and freezer compartments
- SmartDeviceBox included
- Alarm in case of malfunction: visual and acoustic
- Door alarm Fridge-freezer compartment: visual and acoustic

### Fridge and BioFresh compartment

- PowerCooling with FreshAir active carbon filter
- GlassLine shelving with bottle holder, removable VarioBoxes, adjustable egg tray, butter dish
- 3 GlassLine shelves, of which 1 divisible
- Integrated bottle shelf
- LightTower
- LED BioFresh lighting
- 2 BioFresh Safes with SoftTelescopic, 1 Fruit & Vegetable Safe, 1 Meat & Dairy Safe

### Freezer compartment **\*\*\*\***

- 3 drawers, VarioSpace
- Ice cube tray with lid
- LED lighting
- Temperature rise time: 9 h
- Freezing capacity in 24 h: 6 kg
- Safety glass fittings

### Key features

- Height-adjustable feet at front
- Reversible door hinge, right
- Replaceable door seal
- Rear wall in stainless steel with SmartSteel

**Also available as:**  
**ICBNbi 5153** in **B** A G  
 with 132 / 0.361 kWh



↑  
178  
↓

**ICBNdi 5123**  
Plus



↑  
178  
↓

**ICBa 5123**  
Plus

Door-on-door / built-in appliance for integrated use

Energy efficiency class:	<b>D</b> <small>A G</small>
Energy consumption per year / 24 h:	<b>207 / 0.567 kWh</b>
Total volume <sup>1</sup> :	<b>244 l</b>
Volume: <b>Fridge: 103.3 l / BioFresh compartment: 70.9 l / Freezer compartment: 70 l</b>	
Noise output / Sound power level:	<b>34 dB(A) / B, SuperSilent</b>
Climate rating:	<b>SN-ST (from +10 °C to +38 °C)</b>
Aperture dimensions in cm (h/w/d):	<b>177.2-178.8 / 56-57 / at least 55.0</b>

Bio Fresh	Duo Cooling	No Frost	Super Cool	Super Frost	Soft System	Super Silent	Touch Display	Vario Space
Smart Device								

**Controls**

- LC monochrome display, touch electronic
- Digital temperature display for refrigerator and freezer compartment
- SmartDeviceBox included
- Alarm in case of malfunction: visual and acoustic
- Door alarm Fridge-freezer compartment: visual and acoustic

**Fridge and BioFresh compartment**

- PowerCooling with FreshAir active carbon filter
- Plastic storage racks with bottle holder, egg tray, FlexCube
- 3 GlassLine shelves, of which 1 divisible
- Integrated bottle shelf
- LED ceiling lighting
- 2 BioFresh Safes with partial extension on telescopic rails, 1 Fruit & Vegetable Safe, 1 Meat & Dairy Safe

**Freezer compartment** \*\*\*

- 3 drawers, VarioSpace
- Ice cube tray
- Temperature rise time: 9 h
- Freezing capacity in 24 h: 6 kg
- Safety glass fittings

**Key features**

- Height-adjustable feet at front
- Reversible door hinge, right
- Replaceable door seal
- Rear wall in plastic

Door-on-door / built-in appliance for integrated use

Energy efficiency class:	<b>A</b> <small>A G</small>
Energy consumption per year / 24 h:	<b>105 / 0.287 kWh</b>
Total volume <sup>1</sup> :	<b>255 l</b>
Volume: <b>Fridge: 103.3 l / BioFresh compartment: 70.9 l / Freezer compartment: 81 l</b>	
Noise output / Sound power level:	<b>32 dB(A) / B, SuperSilent</b>
Climate rating:	<b>SN-T (from +10 °C to +43 °C)</b>
Aperture dimensions in cm (h/w/d):	<b>177.2-178.8 / 56-57 / at least 55.0</b>

Bio Fresh	Duo Cooling	Smart Frost	Super Cool	Super Frost	Soft System	Super Silent	Touch Display	Vario Space
Smart Device Ready								

**Controls**

- LC monochrome display, touch electronic
- Digital temperature display for refrigerator and freezer compartment
- SmartDeviceBox: as an optional accessory
- Alarm in case of malfunction: visual and acoustic
- Door alarm fridge compartment: visual and acoustic

**Fridge and BioFresh compartment**

- PowerCooling with FreshAir active carbon filter
- Plastic storage racks with bottle holder, egg tray, FlexCube
- 3 GlassLine shelves, of which 1 divisible
- Integrated bottle shelf
- LED ceiling lighting
- 2 BioFresh Safes with partial extension on telescopic rails, 1 Fruit & Vegetable Safe, 1 Meat & Dairy Safe

**Freezer compartment** \*\*\*

- 3 drawers, VarioSpace
- Ice cube tray
- Temperature rise time: 11 h
- Freezing capacity in 24 h: 6 kg
- Safety glass fittings

**Key features**

- Height-adjustable feet at front
- Reversible door hinge, right
- Replaceable door seal
- Rear wall in plastic

## Integrated fridge-freezer with BioFresh / EasyFresh and NoFrost



↑  
178  
↓

**ICBbi 5122**  
Plus

Door-on-door / built-in appliance for integrated use

Energy efficiency class:	<b>B</b> <small>A G</small>
Energy consumption per year / 24 h:	<b>116 / 0.317 kWh</b>
Total volume <sup>1</sup> :	<b>255 l</b>
Volume: Fridge: 130.0 l / BioFresh compartment: 70.9 l / Freezer compartment: 54 l	
Noise output / Sound power level:	<b>29 dB(A) / A, UltraSilent</b>
Climate rating:	<b>SN-T (from +10 °C to +43 °C)</b>
Aperture dimensions in cm (h/w/d):	<b>177.2-178.8 / 56-57 / at least 55.0</b>



### Controls

- LC monochrome display, touch electronic
- Digital temperature display for refrigerator and freezer compartment
- SmartDeviceBox included
- Alarm in case of malfunction: visual and acoustic
- Door alarm Fridge-freezer compartment: visual and acoustic

### Fridge and BioFresh compartment

- PowerCooling with FreshAir active carbon filter
- Plastic storage racks with bottle holder, egg tray, FlexCube
- 4 GlassLine shelves, of which 1 divisible
- Integrated bottle shelf
- LED ceiling lighting
- 2 BioFresh Safes with partial extension on telescopic rails, 1 Fruit & Vegetable Safe, 1 Meat & Dairy Safe

### Freezer compartment **\*\*\*\***

- 2 drawers, VarioSpace
- Ice cube tray
- Temperature rise time: 9 h
- Freezing capacity in 24 h: 4 kg
- Safety glass fittings

### Key features

- Height-adjustable feet at front
- Reversible door hinge, right
- Replaceable door seal
- Rear wall in plastic

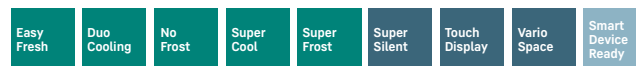


↑  
194  
↓

**ICNSd 5603**  
Pure

Sliding door / built-in appliance for integrated use

Energy efficiency class:	<b>D</b> <small>A G</small>
Energy consumption per year / 24 h:	<b>180 / 0.493 kWh</b>
Total volume <sup>1</sup> :	<b>284 l</b>
Volume: Fridge: 214.9 l / Freezer compartment: 70 l	
Noise output / Sound power level:	<b>33 dB(A) / B, SuperSilent</b>
Climate rating:	<b>SN-T (from +10 °C to +43 °C)</b>
Aperture dimensions in cm (h/w/d):	<b>194-195 / 56-57 / at least 55.0</b>



### Controls

- LC monochrome display, touch electronic
- Digital temperature display for refrigerator and freezer compartment
- SmartDeviceBox: as an optional accessory
- Alarm in case of malfunction: visual and acoustic
- Door alarm fridge compartment: visual and acoustic

### Freezer compartment **\*\*\*\***

- 3 drawers, VarioSpace
- Temperature rise time: 9 h
- Freezing capacity in 24 h: 6 kg
- Safety glass fittings

### Key features

- Height-adjustable feet at front
- Reversible door hinge, right
- Replaceable door seal



## Integrated fridge-freezer with EasyFresh and NoFrost



↑  
194  
↓

### ICNd 5603

Pure

Door-on-door / built-in appliance for integrated use

Energy efficiency class:	D <small>A G</small>
Energy consumption per year / 24 h:	180 / 0.493 kWh
Total volume <sup>1</sup> :	284 l
Volume:	Fridge: 214.9 l / Freezer compartment: 70 l
Noise output / Sound power level:	33 dB(A) / B, SuperSilent
Climate rating:	SN-T (from +10 °C to +43 °C)
Aperture dimensions in cm (h/w/d):	194-195 / 56-57 / at least 55.0



#### Controls

- LC monochrome display, Touch electronics
- Digital temperature display for refrigerator and freezer compartment
- SmartDeviceBox: as an optional accessory
- Alarm in case of malfunction: visual and acoustic
- Door alarm fridge compartment: visual and acoustic

#### Fridge compartment

- PowerCooling with FreshAir active carbon filter
- Plastic storage racks with bottle holder, egg tray
- 5 GlassLine shelves
- Bottle shelf
- LED ceiling lighting
- 1 EasyFresh Safe with integrated drawer guide

#### Freezer compartment **\*\*\*\***

- 3 drawers, VarioSpace
- Temperature rise time: 9 h
- Freezing capacity in 24 h: 6 kg
- Safety glass fittings

#### Key features

- Height-adjustable feet at front
- Reversible door hinge, right
- Replaceable door seal



Side  
by  
Side

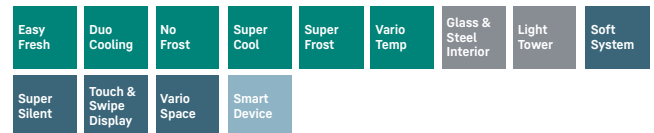
↑  
178  
↓

### SICNdi 5153

Prime

Door-on-door / built-in appliance for integrated use

Energy efficiency class:	D <small>A G</small>
Energy consumption per year / 24 h:	181 / 0.495 kWh
Total volume <sup>1</sup> :	254 l
Volume:	Fridge: 184.4 l / Freezer compartment: 70 l
Noise output / Sound power level:	34 dB(A) / B, SuperSilent
Climate rating:	SN-T (from +10 °C to +43 °C)
Aperture dimensions in cm (h/w/d):	177.2-178.8 / 56-57 / at least 55.0



#### Controls

- 2.4" TFT-colour display, touch- & swipe-electronics
- Digital temperature display for refrigerator and freezer compartment
- SmartDeviceBox included
- Alarm in case of malfunction: visual and acoustic
- Door alarm Fridge-freezer compartment: visual and acoustic

#### Fridge compartment

- PowerCooling with FreshAir active carbon filter
- GlassLine shelving with bottle holder, removable VarioBoxes, adjustable egg tray, butter dish
- 5 GlassLine shelves, of which 1 divisible
- VarioSafe
- 3 Bottle shelf
- LightTower
- 1 EasyFresh Safe with partial extension on telescopic rails

#### Freezer compartment **\*\*\*\***

- 3 drawers, VarioSpace
- Ice cube tray with lid
- LED lighting
- Temperature rise time: 9 h
- Freezing capacity in 24 h: 6 kg
- Safety glass fittings

#### Key features

- Side-panel heating on both sides, suitable for combination with other fridges, freezers and/or wine appliances
- Height-adjustable feet at front
- Reversible door hinge, left
- Replaceable door seal
- Rear wall in stainless steel with SmartSteel

## Integrated fridge-freezer with EasyFresh and NoFrost



ICNc 5103 ○ Pure series



↑  
178  
↓

### ICNb 5123 Plus

Door-on-door / built-in appliance for integrated use

Energy efficiency class:	<b>B</b> <small>A A G</small>
Energy consumption per year / 24 h:	<b>111 / 0.304 kWh</b>
Total volume <sup>1</sup> :	<b>253 l</b>
Volume:	<b>Fridge: 183.3 l / Freezer compartment: 70 l</b>
Noise output / Sound power level:	<b>29 dB(A) / A, UltraSilent</b>
Climate rating:	<b>SN-T (from +10 °C to +43 °C)</b>
Aperture dimensions in cm (h/w/d):	<b>177.2-178.8 / 56-57 / at least 55.0</b>

Easy Fresh	Duo Cooling	No Frost	Super Cool	Super Frost	Soft System	Ultra Silent	Touch Display	Vario Space
Smart Device Ready								

#### Controls

- LC monochrome display, touch electronic
- Digital temperature display for refrigerator and freezer compartment
- SmartDeviceBox: as an optional accessory
- Alarm in case of malfunction: visual and acoustic
- Door alarm fridge compartment: visual and acoustic

#### Fridge compartment

- PowerCooling with FreshAir active carbon filter
- Plastic storage racks with bottle holder, egg tray, FlexCube
- 5 GlassLine shelves, of which 1 divisible
- VarioSafe

- 3 Bottle shelf
- LED ceiling lighting
- 1 EasyFresh Safe with integrated drawer guide

#### Freezer compartment **\*\*\*\***

- 3 drawers, VarioSpace
- Ice cube tray
- Temperature rise time: 9 h
- Freezing capacity in 24 h: 6 kg
- Safety glass fittings

#### Key features

- Height-adjustable feet at front
- Reversible door hinge, right
- Replaceable door seal



#### Organiser for doors

Ensures even more order: The transparent divider keeps small items securely in place – ideal for bottles and small cans.

#### Also available as:

ICNd 5123 in **D** A A G with 181 / 0.495 kWh

<sup>1</sup> In accordance with Regulation EU 2019/2016 we indicate the total volume to the nearest integer (rounded off) and the volume of the frozen compartments and refrigeration compartments to one place after the decimal point.



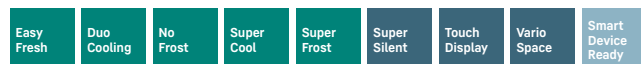
**ICNc 5103**  
Pure



**ICe 5103**  
Pure

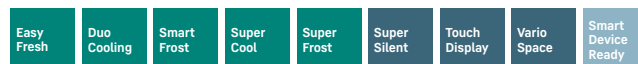
Door-on-door / built-in appliance for integrated use

Energy efficiency class:	
Energy consumption per year / 24 h:	145 / 0.397 kWh
Total volume <sup>1</sup> :	253 l
Volume:	Fridge: 183.3 l / Freezer compartment: 70 l
Noise output / Sound power level:	33 dB(A) / B, SuperSilent
Climate rating:	SN-T (from +10 °C to +43 °C)
Aperture dimensions in cm (h/w/d):	177.2-178.8 / 56-57 / at least 55.0



Door-on-door / built-in appliance for integrated use

Energy efficiency class:	
Energy consumption per year / 24 h:	228 / 0.624 kWh
Total volume <sup>1</sup> :	264 l
Volume:	Fridge: 183.3 l / Freezer compartment: 81 l
Noise output / Sound power level:	34 dB(A) / B, SuperSilent
Climate rating:	SN-T (from +10 °C to +43 °C)
Aperture dimensions in cm (h/w/d):	177.2-178.8 / 56-57 / at least 55.0



**Controls**

- LC monochrome display, touch electronic
- Digital temperature display for refrigerator and freezer compartment
- SmartDeviceBox: as an optional accessory
- Alarm in case of malfunction: visual and acoustic
- Door alarm Fridge-freezer compartment: visual and acoustic

**Fridge compartment**

- PowerCooling with FreshAir active carbon filter
- Plastic storage racks with bottle holder, egg tray
- 4 GlassLine shelves

- LED ceiling lighting
- 1 EasyFresh Safe with integrated drawer guide

**Freezer compartment**

- 3 drawers, VarioSpace
- Temperature rise time: 9 h
- Freezing capacity in 24 h: 6 kg
- Safety glass fittings

**Key features**

- Height-adjustable feet at front
- Reversible door hinge, right
- Replaceable door seal

**Controls**

- LC monochrome display, touch electronic
- Digital temperature display for refrigerator and freezer compartment
- SmartDeviceBox: as an optional accessory
- Alarm in case of malfunction: visual and acoustic
- Door alarm Fridge-freezer compartment: visual and acoustic

**Fridge compartment**

- PowerCooling with FreshAir active carbon filter
- Plastic storage racks with bottle holder, egg tray
- 4 GlassLine shelves
- LED ceiling lighting
- 1 EasyFresh Safe with integrated drawer guide

**Freezer compartment**

- 3 drawers, VarioSpace
- Temperature rise time: 11 h
- Freezing capacity in 24 h: 6 kg
- Safety glass fittings

**Key features**

- Height-adjustable feet at front
- Reversible door hinge, right
- Replaceable door seal

**Also available as:**

ICNe 5103 in with 227 / 0.621 kWh

**Also available as:**

ICSe 5103 with Sliding door



IRBdi 5181 Δ Peak series



# Fridges

# Series overview



○ Pure Series



◇ Plus Series



◻ Prime Series



△ Peak Series

	○ Pure Series	◇ Plus Series	⬡ Prime Series	△ Peak Series
<b>Freshness technology</b>	EasyFresh on integrated drawer guide	EasyFresh on integrated drawer guide	EasyFresh <b>on telescopic rails</b>	EasyFresh on telescopic rails
		<b>BioFresh on telescopic rails</b>	BioFresh <b>with SoftTelescopic</b>	<b>BioFresh Professional</b> with SoftTelescopic
				<b>HydroBreeze</b>
				<b>Fish &amp; Seafood safe</b>
	FreshAir filter	FreshAir filter	FreshAir filter	FreshAir filter
<b>Comfort and flexibility</b>		<b>Separable glass shelf</b>	Separable glass shelf	Separable glass shelf
			<b>SoftSystem soft stop mechanism</b>	SoftSystem soft stop mechanism
		<b>VarioSafe</b>	VarioSafe	VarioSafe
			<b>VarioBoxes</b>	VarioBoxes
			<b>Butter dish</b>	Butter dish
	Egg tray	Egg tray	<b>Variable</b> egg tray	Variable egg tray
	Bottle shelf	Bottle shelf	Bottle shelf	Bottle shelf
				<b>FlexSystem</b>
<b>Design</b>	Ceiling light	Ceiling or <b>side lighting</b>	<b>LightTower</b>	LightTower
			<b>BioFresh Safe lighting</b>	BioFresh Safe lighting
				<b>Fan lighting</b>
			<b>SmartSteel rear wall</b>	SmartSteel rear wall
				<b>SmartSteel door interior</b>
	Transparent glass	Transparent glass	<b>Satin finish glass</b>	Satin finish glass
	Stainless steel look shelves	Stainless steel look shelves	<b>Glass and stainless steel rack</b>	Glass and stainless steel rack
	Touch display	Touch display	<b>Touch &amp; Swipe display</b>	Touch & Swipe display
	Display behind the door	Display behind the door	Display behind the door	Display behind the door
	Recessed grip	Recessed grip	<b>Slimline door handle with opening mechanism</b>	Recessed grip
<b>Connectivity (SmartDeviceBox)</b>	Retrofitable	Retrofitable	Retrofitable	Can be retrofitted or <b>integrated</b> ("i" models)
<b>Water</b>				<b>InfinitySpring</b> for SBS-capable models

Differentiating equipment is **highlighted** in the next higher series.

# Quality down to the finest detail

---



## BioFresh

At a temperature of just over 0 °C and with the ideal humidity, fresh food can keep its appetising appearance and retain healthy vitamins and minerals for considerably longer than in a normal fridge compartment.



## EasyFresh

The guarantee of market freshness in the home is our EasyFresh Safe. Whether it's unpackaged vegetables or fruit, this ensures optimal storage for everything. Thanks to the air-tight closure, the food causes the humidity in the safe to rise. This keeps the food fresher for longer.



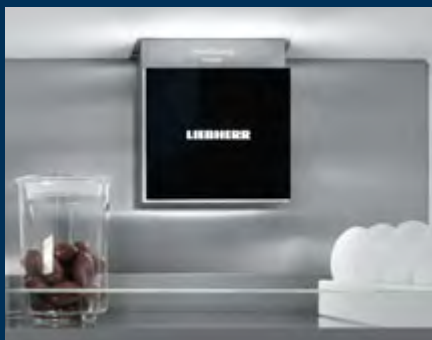
## LED

For a quick overview of everything in the refrigerator: the LED side lighting helps you to keep your food in view. The LEDs are positioned so that the light beams go up and down. And the LEDs integrated flush into the side walls mean that the valuable usable area is fully maintained.



## VarioBoxes

Where did I put that little packet of yeast? And where's the tube of mustard? To easily find the small items in the fridge, there are the VarioBoxes. They keep everything clearly arranged and organised in the inside door. Their transparent design means you immediately see what's inside. The boxes are easy to remove – and thanks to the pull-out stop, nothing will fall to the floor - guaranteed.



## PowerCooling

Do you want to be sure that the cold is distributed as evenly as possible in your refrigerator? If so, the PowerCooling system is what you need. The fan – as powerful as it is quiet – distributes the cold air efficiently throughout the entire refrigeration compartment.



## Freezer compartment

Do you want to avoid spending time changing the door hinge of the freezer compartment when installing your Liebherr in the furniture niche? The slider control means this can be done in seconds and without any manual skills. Simply slide the slider on the freezer compartment from right to left – that's it, done! This saves you a lot of time.





### InfinitySpring

A source of fresh, cool drinking water in your kitchen. InfinitySpring sounds like something from a fairy tale. The water dispenser enables drip-free water dispensing and provides fresh, cold water. Simply press the panel with the carafe or glass, and enjoy the water. This enables you to save on purchasing bottles of water and to live more sustainably.



### Side-by-Side concept

Combine your Liebherr appliance with complete flexibility to suit your personal freshness needs. All models labelled side-by-side, can be vertically and/or horizontally combined to form your individual freshness centre, providing perfect solutions to all your storage needs. More information see pages 30-33



### Versatile bottle shelf

Expecting guests and want to chill a few more drinks than usual? The bottle shelf above the BioFresh Safes exists for this very reason. Simply remove the glass shelf above the bottle shelf in one easy step – and you can now safely store and cool bottles of various sizes.



### SoftTelescopic

Look forward to opening your BioFresh Safes. And this is not just because of the fresh food – but also because opening is so easy, and closing is cushioned. The telescopic rails slide the safe gently towards you. And because these extend fully, you have the best overview of the contents.



### FlexSystem

Small and delicate fruit in the refrigerator can easily roll out of sight or become crushed. That's why your Liebherr comes with the FlexSystem. Two flexibly positionable boxes in the BioFresh Safe ensure everything is clearly arranged and organised. And they also safely protect even the smallest raspberry from bruising or from being mixed up with other foods.



### Versatile egg tray

Do you like chicken eggs? So does your Liebherr – that's why it has the 2in1 egg tray. This not only provides space for up to 20 chicken eggs, but also for up to 24 quail eggs. The egg tray consists of an outer and an inner part which can be slid into each other in different ways. By turning the tray over, the quail egg holes can be used.

## Refrigerator with BioFresh Professional and AutoDoor



### AutoDoor

Hands-free option with Liebherr: Thanks to AutoDoor, you can open your Liebherr with a knocking signal or voice command. This makes the Liebherr the world's first refrigerator which can be opened and closed fully automatically – perfection in the hands-free kitchen. You can individually select the opening angle and the duration until closing. And if need be, you can also open and close it just as easily by hand or using your smartphone.



## IRBAc 5190 Peak

Door-on-door / built-in appliance for integrated use

Energy efficiency class:	<b>C</b> <small>A G</small>
Energy consumption per year / 24 h:	<b>100 / 0.274 kWh</b>
Total volume <sup>1</sup> :	<b>296 l</b>
Volume:	<b>Fridge: 198.1 l / BioFresh compartment: 97.9 l</b>
Noise output / Sound power level:	<b>32 dB(A) / B, SuperSilent</b>
Climate rating:	<b>SN-T (from +10 °C to +43 °C)</b>
Aperture dimensions in cm (h/w/d):	<b>177.7-179.3 / 56-57 / at least 55.0</b>

Bio Fresh Professional	Hydro Breeze	Super Cool	Glass & Steel Interior	Light Tower	Infinity Spring	Auto Door	Soft System	Soft-Telescopic Rails
Super Silent	Touch & Swipe Display	Smart Device						

### Controls

- 2.4" TFT-colour display, touch- & swipe-electronics
- Digital temperature display for refrigerator and BioFresh compartment
- SmartDeviceBox included
- Alarm in case of malfunction: visual and acoustic
- Door alarm fridge compartment: visual and acoustic

- LightTower
- LED BioFresh lighting
- 3 BioFresh Safes with SoftTelescopic, 2 Fruit & Vegetable Safes, of which 1 with HydroBreeze, 1 Meat & Dairy Safe, 1 FlexSystem
- InfinitySpring with fixed water connection 3/4"

### Key features

- Height-adjustable feet at front
- Reversible door hinge, right \*
- Replaceable door seal
- Rear wall in stainless steel with SmartSteel, door panel in stainless steel with SmartSteel

### Fridge and BioFresh compartment

- PowerCooling with Ambilight and FreshAir active carbon filter
- GlassLine shelving with bottle holder, removable VarioBoxes, adjustable egg tray, butter dish
- 6 GlassLine shelves, of which 1 divisible
- VarioSafe
- Integrated bottle shelf

\* Choose from left (**617**) or right (**001**) hand hinge, fixed. Must be chosen at the point of sale, or completed by Liebherr trained and approved service agents.

<sup>1</sup> In accordance with Regulation EU 2019/2016 we indicate the total volume to the nearest integer (rounded off) and the volume of the frozen compartments and refrigeration compartments to one place after the decimal point.



## OpenStage drawers

Inspired by refrigerated display cases in fine delicatessens, the OpenStage concept elegantly showcases your food. Thanks to the transparent glass drawers you can have everything perfectly displayed. The different heights make it easy to store food of different sizes. In the bottom OpenStage drawer, practical dividers ensure bottles are held securely in place.

## Refrigerator with BioFresh for integrated use



↑  
178  
↓

## IRBPci 5170

Peak

Door-on-door / built-in appliance for integrated use

Energy efficiency class:	<b>C</b>
Energy consumption per year / 24 h:	<b>100 / 0.274 kWh</b>
Total volume <sup>1</sup> :	<b>297 l</b>
Volume:	<b>Fridge: 199.0 l / BioFresh compartment: 98.4 l</b>
Noise output / Sound power level:	<b>31 dB(A) / B, SuperSilent</b>
Climate rating:	<b>SN-T (from +10 °C to +43 °C)</b>
Aperture dimensions in cm (h/w/d):	<b>177.2-178.8 / 56-57 / at least 55.0</b>

Bio Fresh	Super Cool	Open Stage	Glass & Steel Interior	Light Tower	Soft System	Soft-Telescopic Rails	Super Silent	Touch & Swipe Display
Smart Device								

### Controls

- 2.4" TFT-colour display, touch- & swipe-electronics
- Digital temperature display for refrigerator and BioFresh compartment
- SmartDeviceBox included
- Alarm in case of malfunction: visual and acoustic
- Door alarm fridge compartment: visual and acoustic

### Fridge and BioFresh compartment

- PowerCooling with Ambilight and FreshAir active carbon filter
- variable Eierablage. Butterdose
- 5 GlasLine drawers OpenStage on fully extendible telescopic rails with SoftTelescopic
- Integrated bottle shelf

### LightTower

- LED BioFresh lighting
- 3 BioFresh Safes with SoftTelescopic, 2 Fruit & Vegetable Safes, 1 Meat & Dairy Safe, 1 FlexSystem

### Key features

- Height-adjustable feet at front
- Reversible door hinge, right
- Replaceable door seal
- Rear wall in stainless steel with SmartSteel, door panel in stainless steel with SmartSteel

## Refrigerator with BioFresh Professional for integrated use



**IRBci 5180**

Peak

↑  
178  
↓



**IRBbsci 5170**

Peak

↑  
178  
↓

Door-on-door / built-in appliance for integrated use

Energy efficiency class:	
Energy consumption per year / 24 h:	<b>100 / 0.274 kWh</b>
Total volume <sup>1</sup> :	<b>296 l</b>
Volume:	<b>Fridge: 198.1 l / BioFresh compartment: 97.9 l</b>
Noise output / Sound power level:	<b>32 dB(A) / B, SuperSilent</b>
Climate rating:	<b>SN-T (from +10 °C to +43 °C)</b>
Aperture dimensions in cm (h/w/d):	<b>177.2-178.8 / 56-57 / at least 55.0</b>

Bio Fresh Professional	Hydro Breeze	Super Cool	Glass & Steel Interior	Light Tower	Infinity Spring	Soft System	Soft-Telescopic Rails	Super Silent
Touch & Swipe Display	Smart Device							

### Controls

- 2.4" TFT-colour display, touch- & swipe-electronics
- Digital temperature display for refrigerator and BioFresh compartment
- SmartDeviceBox included
- Alarm in case of malfunction: visual and acoustic
- Door alarm fridge compartment: visual and acoustic

### Fridge and BioFresh compartment

- PowerCooling with Ambilight and FreshAir active carbon filter
- GlassLine shelving with bottle holder, removable VarioBoxes, adjustable egg tray, butter dish
- 6 GlassLine shelves, of which 1 divisible
- VarioSafe
- Integrated bottle shelf
- LightTower
- LED BioFresh lighting

- 3 BioFresh Safes with SoftTelescopic, 2 Fruit & Vegetable Safes, of which 1 with HydroBreeze, 1 Meat & Dairy Safe, 1 FlexSystem
- InfinitySpring with fixed water connection 3/4"

### Key features

- Height-adjustable feet at front
- Reversible door hinge, right
- Replaceable door seal
- Rear wall in stainless steel with SmartSteel, door panel in stainless steel with SmartSteel

Door-on-door / built-in appliance for integrated use

Energy efficiency class:	
Energy consumption per year / 24 h:	<b>100 / 0.274 kWh</b>
Total volume <sup>1</sup> :	<b>296 l</b>
Volume:	<b>Fridge: 198.1 l / BioFresh compartment: 97.9 l</b>
Noise output / Sound power level:	<b>32 dB(A) / B, SuperSilent</b>
Climate rating:	<b>SN-T (from +10 °C to +43 °C)</b>
Aperture dimensions in cm (h/w/d):	<b>177.2-178.8 / 56-57 / at least 55.0</b>

Bio Fresh Professional	Hydro Breeze	Super Cool	Glass & Steel Interior	Light Tower	Soft System	Soft-Telescopic Rails	Super Silent	Touch & Swipe Display
Smart Device								

### Controls

- 2.4" TFT-colour display, touch- & swipe-electronics
- Digital temperature display for refrigerator and BioFresh compartment
- SmartDeviceBox included
- Alarm in case of malfunction: visual and acoustic
- Door alarm fridge compartment: visual and acoustic

### Fridge and BioFresh compartment

- PowerCooling with Ambilight and FreshAir active carbon filter
- GlassLine shelving with bottle holder, removable VarioBoxes, adjustable egg tray, butter dish
- 6 GlassLine shelves, of which 1 divisible
- VarioSafe
- Integrated bottle shelf
- LightTower
- LED BioFresh lighting

- 3 BioFresh Safes with SoftTelescopic, 2 Fruit & Vegetable Safes, of which 1 with HydroBreeze, 1 Meat & Dairy Safe, 1 FlexSystem

### Key features

- Height-adjustable feet at front
- Reversible door hinge, right
- Replaceable door seal
- Rear wall and door panel in BlackSteel



IRBbsci 5170 △ Peak series

## Refrigerator with BioFresh Professional for integrated use



↑  
178  
↓

### IRBci 5170

Peak

Door-on-door / built-in appliance for integrated use

Energy efficiency class:	<b>C</b> <small>A ↑ G ↓</small>
Energy consumption per year / 24 h:	<b>100 / 0.274 kWh</b>
Total volume <sup>1</sup> :	<b>296 l</b>
Volume:	<b>Fridge: 198.1 l / BioFresh compartment: 97.9 l</b>
Noise output / Sound power level:	<b>32 dB(A) / B, SuperSilent</b>
Climate rating:	<b>SN-T (from +10 °C to +43 °C)</b>
Aperture dimensions in cm (h/w/d):	<b>177.2-178.8 / 56-57 / at least 55.0</b>

Bio Fresh Professional	Hydro Breeze	Super Cool	Glass & Steel Interior	Light Tower	Soft System	Soft-Telescopic Rails	Super Silent	Touch & Swipe Display
Smart Device								

#### Controls

- 2.4" TFT-colour display, touch- & swipe-electronics
- Digital temperature display for refrigerator and BioFresh compartment
- SmartDeviceBox included
- Alarm in case of malfunction: visual and acoustic
- Door alarm fridge compartment: visual and acoustic

- 3 BioFresh Safes with SoftTelescopic, 2 Fruit & Vegetable Safes, of which 1 with HydroBreeze, 1 Meat & Dairy Safe, 1 FlexSystem

#### Key features

- Height-adjustable feet at front
- Reversible door hinge, right
- Replaceable door seal
- Rear wall and door panel in SmartSteel

#### Fridge and BioFresh compartment

- PowerCooling with Ambilight and FreshAir active carbon filter
- GlassLine shelving with bottle holder, removable VarioBoxes, adjustable egg tray, butter dish
- 6 GlassLine shelves, of which 1 divisible
- VarioSafe
- Integrated bottle shelf
- LightTower
- LED BioFresh lighting

You can find the full range of efficiency classes on page 13. According to (EU) 2017/1369 6a.



### BlackSteel to complete a dark appearance

Refine your dark kitchen with our BlackSteel interior appliances. The rear wall and inner door impress with surfaces made of black stainless steel.

The anti-fingerprint finish makes this resistant to fingerprints. All trims are accentuated in BlackSteel to complete a dark appearance. A Liebherr with BlackSteel interior perfectly fits into modern dark kitchens and stands out with elegance.

## Refrigerator with BioFresh for integrated use



↑  
178  
↓

**IRBbi 5150**  
Prime

Door-on-door / built-in appliance for integrated use

Energy efficiency class:	<b>B</b> <small>A G</small>
Energy consumption per year / 24 h:	<b>80 / 0.219 kWh</b>
Total volume <sup>1</sup> :	<b>296 l</b>
Volume:	<b>Fridge: 197.7 l / BioFresh compartment: 98.4 l</b>
Noise output / Sound power level:	<b>29 dB(A) / A, UltraSilent</b>
Climate rating:	<b>SN-T (from +10 °C to +43 °C)</b>
Aperture dimensions in cm (h/w/d):	<b>177.2-178.8 / 56-57 / at least 55.0</b>



### Controls

- 2.4" TFT-colour display, touch- & swipe-electronics
- Digital temperature display for refrigerator and BioFresh compartment
- SmartDeviceBox included
- Alarm in case of malfunction: visual and acoustic
- Door alarm fridge compartment: visual and acoustic

- LightTower
- LED BioFresh lighting
- 3 BioFresh Safes with SoftTelescopic, 2 Fruit & Vegetable Safe, 1 Meat & Dairy Safe

### Key features

- Height-adjustable feet at front
- Reversible door hinge, right
- Replaceable door seal
- Rear wall in stainless steel with SmartSteel

### Fridge and BioFresh compartment

- PowerCooling with FreshAir active carbon filter
- GlassLine shelving with bottle holder, removable VarioBoxes, adjustable egg tray, butter dish
- 6 GlassLine shelves, of which 1 divisible
- VarioSafe
- Integrated bottle shelf



↑  
178  
↓

**IRBd 5120**  
Plus

Door-on-door / built-in appliance for integrated use

Energy efficiency class:	<b>D</b> <small>A G</small>
Energy consumption per year / 24 h:	<b>125 / 0.342 kWh</b>
Total volume <sup>1</sup> :	<b>294 l</b>
Volume:	<b>Fridge: 195.8 l / BioFresh compartment: 98.2 l</b>
Noise output / Sound power level:	<b>33 dB(A) / B, SuperSilent</b>
Climate rating:	<b>SN-T (from +10 °C to +43 °C)</b>
Aperture dimensions in cm (h/w/d):	<b>177.2-178.8 / 56-57 / at least 55.0</b>



### Controls

- LC monochrome display, touch electronic
- Digital temperature display for refrigerator compartment
- SmartDeviceBox: as an optional accessory
- Alarm in case of malfunction: visual and acoustic
- Door alarm fridge compartment: visual and acoustic

- LED ceiling lighting
- 3 BioFresh Safes with partial extension on telescopic rails, 2 Fruit & Vegetable Safes, 1 Meat & Dairy Safe

### Key features

- Height-adjustable feet at front
- Reversible door hinge, right
- Replaceable door seal
- Rear wall in plastic

### Fridge and BioFresh compartment

- PowerCooling with FreshAir active carbon filter
- Plastic storage racks with bottle holder, egg tray, FlexCube
- 6 GlassLine shelves, of which 1 divisible
- Integrated bottle shelf



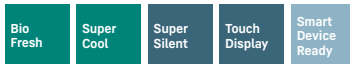
↑  
178  
↓

## IRBSd 5120

Plus

Sliding door / built-in appliance for integrated use

Energy efficiency class:	<b>D</b> <small>A G</small>
Energy consumption per year / 24 h:	<b>125 / 0.342 kWh</b>
Total volume <sup>1</sup> :	<b>294 l</b>
Volume:	<b>Fridge: 195.8 l / BioFresh compartment: 98.2 l</b>
Noise output / Sound power level:	<b>33 dB(A) / B, SuperSilent</b>
Climate rating:	<b>SN-T (from +10 °C to +43 °C)</b>
Aperture dimensions in cm (h/w/d):	<b>177.2-178.8 / 56-57 / at least 55.0</b>



### Controls

- LC monochrome display, touch electronic
- Digital temperature display for refrigerator compartment
- SmartDeviceBox: as an optional accessory
- Alarm in case of malfunction: visual and acoustic
- Door alarm fridge compartment: visual and acoustic

### Fridge and BioFresh compartment

- PowerCooling with FreshAir active carbon filter
- Plastic storage racks with bottle holder, egg tray, FlexCube
- 6 GlassLine shelves, of which 1 divisible
- Integrated bottle shelf

- LED ceiling lighting
- 3 BioFresh Safes with partial extension on telescopic rails, 2 Fruit & Vegetable Safes, 1 Meat & Dairy Safe

### Key features

- Height-adjustable feet at front
- Reversible door hinge, right
- Replaceable door seal
- Rear wall in plastic



IRBSd 5120 ◊ Plus series

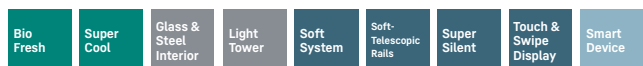
## Refrigerator with BioFresh for integrated use



**IRBci 4550**  
Prime

Door-on-door / built-in appliance for integrated use

Energy efficiency class:	
Energy consumption per year / 24 h:	<b>92 / 0.252 kWh</b>
Total volume <sup>1</sup> :	<b>224 l</b>
Volume:	<b>Fridge: 157.6 l / BioFresh compartment: 67.0 l</b>
Noise output / Sound power level:	<b>32 dB(A) / B, SuperSilent</b>
Climate rating:	<b>SN-T (from +10 °C to +43 °C)</b>
Aperture dimensions in cm (h/w/d):	<b>139.7-141.3 / 56-57 / at least 55.0</b>



### Controls

- 2.4" TFT-colour display, touch- & swipe-electronics
- Digital temperature display for refrigerator and BioFresh compartment
- SmartDeviceBox included
- Alarm in case of malfunction: visual and acoustic
- Door alarm fridge compartment: visual and acoustic

### Fridge and BioFresh compartment

- PowerCooling with FreshAir active carbon filter
- GlassLine shelving with bottle holder, removable VarioBoxes, adjustable egg tray, butter dish
- 4 GlassLine shelves, of which 1 divisible
- VarioSafe
- Integrated bottle shelf
- LightTower
- LED BioFresh lighting
- 2 BioFresh Safes with SoftTelescopic, 1 Fruit & Vegetable Safe, 1 Meat & Dairy Safe

### Key features

- Height-adjustable feet at front
- Reversible door hinge, right
- Replaceable door seal
- Rear wall in stainless steel with SmartSteel



**IRBci 4150**  
Prime

Door-on-door / built-in appliance for integrated use

Energy efficiency class:	
Energy consumption per year / 24 h:	<b>91 / 0.249 kWh</b>
Total volume <sup>1</sup> :	<b>191 l</b>
Volume:	<b>Fridge: 124.1 l / BioFresh compartment: 67.0 l</b>
Noise output / Sound power level:	<b>33 dB(A) / B, SuperSilent</b>
Climate rating:	<b>SN-T (from +10 °C to +43 °C)</b>
Aperture dimensions in cm (h/w/d):	<b>121.6-123.1 / 56-57 / at least 55.0</b>



### Controls

- 2.4" TFT-colour display, touch- & swipe-electronics
- Digital temperature display for refrigerator and BioFresh compartment
- SmartDeviceBox included
- Alarm in case of malfunction: visual and acoustic
- Door alarm fridge compartment: visual and acoustic

### Fridge and BioFresh compartment

- PowerCooling with FreshAir active carbon filter
- GlassLine shelving with bottle holder, removable VarioBoxes, adjustable egg tray, butter dish
- 3 GlassLine shelves, of which 1 divisible
- VarioSafe
- Integrated bottle shelf
- LightTower
- LED BioFresh lighting
- 2 BioFresh Safes with SoftTelescopic, 1 Fruit & Vegetable Safe, 1 Meat & Dairy Safe

### Key features

- Height-adjustable feet at front
- Reversible door hinge, right
- Replaceable door seal
- Rear wall in stainless steel with SmartSteel



## Refrigerator with EasyFresh and bottle tray for integrated use



**IRDDi 5120**  
Plus

Door-on-door / built-in appliance for integrated use

Energy efficiency class:	<b>D</b> <small>A G</small>
Energy consumption per year / 24 h:	<b>91 / 0.249 kWh</b>
Total volume <sup>1</sup> :	<b>309 l</b>
Noise output / Sound power level:	<b>33 dB(A) / B, SuperSilent</b>
Climate rating:	<b>SN-T (from +10 °C to +43 °C)</b>
Aperture dimensions in cm (h/w/d):	<b>177.2-178.8 / 56-57 / at least 55.0</b>



### Pull-out shelf

Without the bottle baskets the pull-out shelf offers space for a commercial bottle crate. The smooth-running telescopic rails ensure easy access to the large stock of chilled drinks.



### Bottle baskets

Do your family and party guests love cold drinks? Often the inside door of the refrigerator isn't enough for bottle cooling. However, your Liebherr will be happy to help. There's plenty of room in the bottle baskets for bottles and Tetrapaks – or even a whole crate of beer. The shelves of the baskets rest on telescopic rails and slide out gently for easy removal.

#### Controls

- LC monochrome display, touch electronic
- Digital temperature display
- SmartDeviceBox included
- Alarm in case of malfunction: visual and acoustic
- Door alarm fridge compartment: visual and acoustic

#### Fridge compartment

- PowerCooling with FreshAir active carbon filter
- Plastic storage racks with bottle holder, egg tray, FlexCube
- 5 GlassLine shelves, of which 1 divisible
- VarioSafe
- Bottle basket with pull-out
- LED ceiling lighting
- 1 EasyFresh Safe with partial extension on telescopic rails
- 1 vegetable drawer running on telescopic rails
- Pull-out shelf on telescopic rails
- 2 removable bottle baskets

#### Key features

- Height-adjustable feet at front
- Reversible door hinge, right
- Replaceable door seal

## Refrigerator for integrated use



**IRe 5100**  
Pure

Door-on-door / built-in appliance for integrated use

Energy efficiency class:	<b>E</b> <small>A G</small>
Energy consumption per year / 24 h:	<b>114 / 0.312 kWh</b>
Total volume <sup>1</sup> :	<b>308 l</b>
Noise output / Sound power level:	<b>33 dB(A) / B, SuperSilent</b>
Climate rating:	<b>SN-T (from +10 °C to +43 °C)</b>
Aperture dimensions in cm (h/w/d):	<b>177.2-178.8 / 56-57 / at least 55.0</b>



### Controls

- LC monochrome display, touch electronic
- Digital temperature display
- SmartDeviceBox: as an optional accessory
- Alarm in case of malfunction: visual and acoustic
- Door alarm fridge compartment: visual and acoustic

### Fridge compartment

- PowerCooling with FreshAir active carbon filter
- Plastic storage racks with bottle holder, egg tray
- 7 GlassLine shelves
- Bottle shelf
- LED ceiling lighting
- 1 EasyFresh Safe with partial extension on telescopic rails
- 1 vegetable drawer running on telescopic rails
- 2 fruit/vegetable compartments

### Key features

- Height-adjustable feet at front
- Reversible door hinge, right
- Replaceable door seal

### Also available as:

**IRe 5101** with 16l freezer compartment  
in **E** A G 171 / 0.468 kWh



**IRBc 4520**  
Plus

Door-on-door / built-in appliance for integrated use

Energy efficiency class:	<b>C</b> <small>A G</small>
Energy consumption per year / 24 h:	<b>91 / 0.249 kWh</b>
Total volume <sup>1</sup> :	<b>223 l</b>
Volume:	<b>Fridge: 156.2 l / BioFresh compartment: 66.8 l</b>
Noise output / Sound power level:	<b>32 dB(A) / B, SuperSilent</b>
Climate rating:	<b>SN-T (from +10 °C to +43 °C)</b>
Aperture dimensions in cm (h/w/d):	<b>139.7-141.3 / 56-57 / at least 55.0</b>



### Controls

- LC monochrome display, touch electronic
- Digital temperature display for refrigerator compartment
- SmartDeviceBox: as an optional accessory
- Alarm in case of malfunction: visual and acoustic
- Door alarm fridge compartment: visual and acoustic

### Fridge and BioFresh compartment

- PowerCooling with FreshAir active carbon filter
- Plastic storage racks with bottle holder, egg tray, FlexCube
- 5 GlassLine shelves, of which 1 divisible
- Integrated bottle shelf
- LED ceiling lighting
- 2 BioFresh Safes with partial extension on telescopic rails,  
1 Fruit & Vegetable Safe, 1 Meat & Dairy Safe

### Key features

- Height-adjustable feet at front
- Reversible door hinge, right
- Replaceable door seal
- Rear wall in plastic



**IRd 4520**  
Plus

Door-on-door / built-in appliance for integrated use

Energy efficiency class:	<b>D</b> <small>A G</small>
Energy consumption per year / 24 h:	<b>84 / 0.230 kWh</b>
Total volume <sup>1</sup> :	<b>235 l</b>
Noise output / Sound power level:	<b>33 dB(A) / B, SuperSilent</b>
Climate rating:	<b>SN-T (from +10 °C to +43 °C)</b>
Aperture dimensions in cm (h/w/d):	<b>139.7-141.3 / 56-57 / at least 55.0</b>



**Controls**

- LC monochrome display, touch electronic
- Digital temperature display
- SmartDeviceBox: as an optional accessory
- Alarm in case of malfunction: visual and acoustic
- Door alarm fridge compartment: visual and acoustic

**Fridge compartment**

- PowerCooling with FreshAir active carbon filter
- Plastic storage racks with bottle holder, egg tray, FlexCube
- 7 GlassLine shelves, of which 1 divisible
- VarioSafe
- 3 Bottle shelf
- LED ceiling lighting
- 1 EasyFresh Safe with integrated drawer guide
- Pull-out shelf on telescopic rails

**Key features**

- Height-adjustable feet at front
- Reversible door hinge, right
- Replaceable door seal



**IRBSd 4120**  
Plus

Sliding door / built-in appliance for integrated use

Energy efficiency class:	<b>D</b> <small>A G</small>
Energy consumption per year / 24 h:	<b>114 / 0.312 kWh</b>
Total volume <sup>1</sup> :	<b>189 l</b>
Volume:	<b>Fridge: 123.0 l / BioFresh compartment: 66.8 l</b>
Noise output / Sound power level:	<b>35 dB(A) / B, SuperSilent</b>
Climate rating:	<b>SN-T (from +10 °C to +43 °C)</b>
Aperture dimensions in cm (h/w/d):	<b>121.6-123.1 / 56-57 / at least 55.0</b>



**Controls**

- LC monochrome display, touch electronic
- Digital temperature display for refrigerator compartment
- SmartDeviceBox: as an optional accessory
- Alarm in case of malfunction: visual and acoustic
- Door alarm fridge compartment: visual and acoustic

**Fridge and BioFresh compartment**

- PowerCooling with FreshAir active carbon filter
- Plastic storage racks with bottle holder, egg tray, FlexCube
- 4 GlassLine shelves, of which 1 divisible
- Integrated bottle shelf
- LED ceiling lighting
- 2 BioFresh Safes with partial extension on telescopic rails, 1 Fruit & Vegetable Safe, 1 Meat & Dairy Safe

**Key features**

- Height-adjustable feet at front
- Reversible door hinge, right
- Replaceable door seal
- Rear wall in plastic

## Refrigerator with EasyFresh for integrated use



↑  
122  
↓

### IRe 4100

Pure

Door-on-door / built-in appliance for integrated use

Energy efficiency class: 

Energy consumption per year / 24 h: **101 / 0.276 kWh**

Total volume <sup>1</sup>: **201 l**

Noise output / Sound power level: **35 dB(A) / B, SuperSilent**

Climate rating: **SN-T (from +10 °C to +43 °C)**

Aperture dimensions in cm (h/w/d): **121.6-123.1 / 56-57 / at least 55.0**



#### Controls

- LC monochrome display, touch electronic
- Digital temperature display
- SmartDeviceBox: as an optional accessory
- Alarm in case of malfunction: visual and acoustic
- Door alarm fridge compartment: visual and acoustic

#### Fridge compartment


- Plastic storage racks with bottle holder, egg tray
- 5 GlassLine shelves
- LED ceiling lighting
- 1 EasyFresh Safe with integrated drawer guide

#### Key features

- Height-adjustable feet at front
- Reversible door hinge, right
- Replaceable door seal

#### Also available as:

**IRe 4101** with 16l freezer compartment

in  149 / 0.408 kWh



I Rci 3950 ◊ Prime series



### Integrated SmartDeviceBox

Your Liebherr may well be standing in the kitchen – but if you want, it can also be connected to the Internet at any time. The integrated SmartDeviceBox opens the door to all the Smart Home benefits. Simply plug it in, switch it on and connect your Liebherr to the network via Wi-Fi.

<sup>1</sup> In accordance with Regulation EU 2019/2016 we indicate the total volume to the nearest integer (rounded off) and the volume of the frozen compartments and refrigeration compartments to one place after the decimal point.



**IRci 3950**  
Prime

Door-on-door / built-in appliance for integrated use

Energy efficiency class:	
Energy consumption per year / 24 h:	<b>60 / 0.164 kWh</b>
Total volume <sup>1</sup> :	<b>136 l</b>
Noise output / Sound power level:	<b>27 dB(A) / A, UltraSilent</b>
Climate rating:	<b>SN-T (from +10 °C to +43 °C)</b>
Aperture dimensions in cm (h/w/d):	<b>87.4-89 / 56-57 / at least 55.0</b>



**Controls**

- 2.4" TFT-colour display, touch- & swipe-electronics
- Digital temperature display
- SmartDeviceBox included
- Alarm in case of malfunction: visual and acoustic
- Door alarm fridge compartment: visual and acoustic

**Fridge compartment**

- GlassLine shelving with bottle holder, removable VarioBoxes, adjustable egg tray, butter dish
- 4 GlassLine shelves, of which 1 divisible
- VarioSafe
- 3 Bottle shelf
- LED ceiling lighting
- 1 EasyFresh Safe

**Key features**

- Height-adjustable feet at front
- Reversible door hinge, right
- Replaceable door seal



**IRc 3920**  
Plus

Door-on-door / built-in appliance for integrated use

Energy efficiency class:	
Energy consumption per year / 24 h:	<b>60 / 0.164 kWh</b>
Total volume <sup>1</sup> :	<b>136 l</b>
Noise output / Sound power level:	<b>27 dB(A) / A, UltraSilent</b>
Climate rating:	<b>SN-T (from +10 °C to +43 °C)</b>
Aperture dimensions in cm (h/w/d):	<b>87.4-89 / 56-57 / at least 55.0</b>



**Controls**

- LC monochrome display, touch electronic
- Digital temperature display
- SmartDeviceBox: as an optional accessory
- Alarm in case of malfunction: visual and acoustic
- Door alarm fridge compartment: visual and acoustic

**Fridge compartment**

- Plastic storage racks with bottle holder, egg tray, FlexCube
- 4 GlassLine shelves, of which 1 divisible
- VarioSafe
- 3 Bottle shelf
- LED ceiling lighting
- 1 EasyFresh Safe

**Key features**

- Height-adjustable feet at front
- Reversible door hinge, right
- Replaceable door seal

## Refrigerator with EasyFresh for integrated use



**IRc 3921**  
Plus

Door-on-door / built-in appliance for integrated use

Energy efficiency class:	
Energy consumption per year / 24 h:	<b>94 / 0.257 kWh</b>
Total volume <sup>1</sup> :	<b>117 l</b>
Volume:	<b>Fridge: 101.6 l / Freezer compartment: 16 l</b>
Noise output / Sound power level:	<b>32 dB(A) / B, SuperSilent</b>
Climate rating:	<b>SN-T (from +10 °C to +43 °C)</b>
Aperture dimensions in cm (h/w/d):	<b>87.4-89 / 56-57 / at least 55.0</b>



### Controls

- LC monochrome display, touch electronic
- Digital temperature display for refrigerator compartment
- SmartDeviceBox: as an optional accessory
- Alarm in case of malfunction: visual and acoustic
- Door alarm fridge compartment: visual and acoustic

### Fridge compartment

- Plastic storage racks with bottle holder, egg tray, FlexCube
- 3 GlassLine shelves, of which 1 divisible
- 3 Bottle shelf
- LED lighting column
- 1 EasyFresh Safe

### Freezer compartment

- 4-star compartment, reversible door hinging
- Ice cube tray
- Temperature rise time: 9 h
- Freezing capacity in 24 h: 2 kg

### Key features

- Height-adjustable feet at front
- Reversible door hinge, right
- Replaceable door seal



**IRSe 3901**  
Pure

Sliding door / built-in appliance for integrated use

Energy efficiency class:	
Energy consumption per year / 24 h:	<b>147 / 0.402 kWh</b>
Total volume <sup>1</sup> :	<b>117 l</b>
Volume:	<b>Fridge: 101.6 l / Freezer compartment: 16 l</b>
Noise output / Sound power level:	<b>35 dB(A) / B, SuperSilent</b>
Climate rating:	<b>SN-ST (from +10 °C to +38 °C)</b>
Aperture dimensions in cm (h/w/d):	<b>87.4-89 / 56-57 / at least 55.0</b>



### Controls

- LC monochrome display, touch electronic
- Digital temperature display for refrigerator compartment
- SmartDeviceBox: as an optional accessory
- Alarm in case of malfunction: visual and acoustic
- Door alarm fridge compartment: visual and acoustic

### Fridge compartment

- Plastic storage racks with bottle holder, egg tray
- 3 GlassLine shelves
- LED lighting column
- 1 EasyFresh Safe

### Freezer compartment

- 4-star compartment, reversible door hinging
- Temperature rise time: 9 h
- Freezing capacity in 24 h: 2 kg

### Key features


- Height-adjustable feet at front
- Reversible door hinge, right
- Replaceable door seal



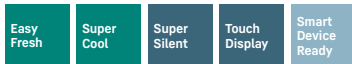
**IRe 3900**

Pure

Door-on-door / built-in appliance for integrated use

Energy efficiency class:	
Energy consumption per year / 24 h:	<b>93 / 0.254 kWh</b>
Total volume <sup>1</sup> :	<b>136 l</b>

Noise output / Sound power level:	<b>35 dB(A) / B, SuperSilent</b>
Climate rating:	<b>SN-T (from +10 °C to +43 °C)</b>
Aperture dimensions in cm (h/w/d):	<b>87.4-89 / 56-57 / at least 55.0</b>



**Controls**

- LC monochrome display, touch electronic
- Digital temperature display
- SmartDeviceBox: as an optional accessory
- Alarm in case of malfunction: visual and acoustic
- Door alarm fridge compartment: visual and acoustic

**Fridge compartment**

- Plastic storage racks with bottle holder, egg tray
- 4 GlassLine shelves
- LED ceiling lighting
- 1 EasyFresh Safe

**Key features**


- Height-adjustable feet at front
- Reversible door hinge, right
- Replaceable door seal



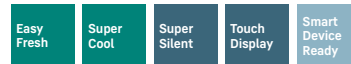
**IRSe 3900**

Pure

Sliding door / built-in appliance for integrated use

Energy efficiency class:	
Energy consumption per year / 24 h:	<b>93 / 0.254 kWh</b>
Total volume <sup>1</sup> :	<b>136 l</b>

Noise output / Sound power level:	<b>35 dB(A) / B, SuperSilent</b>
Climate rating:	<b>SN-T (from +10 °C to +43 °C)</b>
Aperture dimensions in cm (h/w/d):	<b>87.4-89 / 56-57 / at least 55.0</b>



**Controls**

- LC monochrome display, touch electronic
- Digital temperature display
- SmartDeviceBox: as an optional accessory
- Alarm in case of malfunction: visual and acoustic
- Door alarm fridge compartment: visual and acoustic

**Fridge compartment**

- Plastic storage racks with bottle holder, egg tray
- 4 GlassLine shelves
- LED ceiling lighting
- 1 EasyFresh Safe

**Key features**

- Height-adjustable feet at front
- Reversible door hinge, right
- Replaceable door seal

---

# Freezers

---



**Side  
by  
Side**





All Liebherr freezers with aperture heights of 122, 140 and 178 cm can be perfectly combined side by side with fridges and wine fridges in various recesses to form a Mix and Match freshness centre. For more information about the Side-by-Side concept see pages 30-33.

# Series overview



○ Pure Series



◇ Plus Series



◊ Prime Series



△ Peak Series

	○ Pure Series	◇ Plus Series	⬡ Prime Series	△ Peak Series
<b>Freshness technology</b>	NoFrost	NoFrost	NoFrost	NoFrost
<b>Comfort and flexibility</b>	EasyOpen	EasyOpen	EasyOpen	EasyOpen
	FrostProtect	FrostProtect	FrostProtect	FrostProtect
	Tilttable drawer	Tilttable drawer	Tilttable drawer	Tilttable drawer
				<b>SoftSystem soft stop mechanism</b> for SBS-capable models
	SpaceBox	SpaceBox	SpaceBox	SpaceBox
	Integrated drawer guide	Integrated drawer guide	Integrated drawer guide	<b>Drawers guided on telescopic rails</b>
		<b>Ice cube tray</b>	Ice cube tray <b>with lid</b> for SBS-capable models	
		<b>Freezer tray</b>	Freezer tray	Freezer tray
			<b>Two cold storage accumulators</b>	Two cold storage accumulators
	VarioSpace	VarioSpace	VarioSpace	VarioSpace
<b>Design</b>			<b>Status light</b>	Status light
			<b>Freezer compartment lighting</b>	Freezer compartment lighting
				<b>IceMaker lighting</b>
	Touch display	Touch display	<b>Touch &amp; Swipe display</b>	Touch & Swipe display
	Display behind the door	Display behind the door	Display behind the door	Display behind the door
	Recessed grip	Recessed grip	<b>Slimline door handle with opening mechanism</b>	Slimline door handle with opening mechanism
<b>Connectivity (SmartDeviceBox)</b>	Retrofitable	Retrofitable	Can be retrofitted or <b>integrated</b> ("i" models)	Can be retrofitted or integrated ("i" models)
<b>Ice</b>		<b>EasyTwist-Ice or IceTower</b> for SBS-capable models	EasyTwist-Ice or IceTower for SBS-capable models	EasyTwist-Ice or IceTower
		<b>Ice cube scoop</b> for SBS-capable models	Ice cube scoop for SBS-capable models	Ice cube scoop for SBS-capable models

Differentiating equipment is **highlighted** in the next higher series.

# Unique features

---



## Freezer drawers

The top drawer in the freezer is often a bit of a mystery because you just can't see what's up there. A simple tilting function on the drawer allows it to be angled downwards when opened. This gives you a complete overview all the time. It also makes it easier to add and remove frozen goods. And the pull-out stop ensures the compartment does not fall out.



## Ice cube tray

The large ice cube tray is easy to fill with water thanks to its convenient fill opening. The lid seals on tightly so that the tray can be safely moved and placed in the appliance without spills.



## IceTower

You will never run out of cold drinks at your party. The IceTower, which holds 5.7 kg of ice cubes, makes sure of that. The ice cube scoop and the pull-out tray on telescopic rails allow easy access to the ice cubes. An extra insert tray means you can also store less ice and make room for frozen food underneath. The adjacent drawer provides storage space for frozen goods.



## NoFrost

The NoFrost system from Liebherr provides rapid, fan-assisted, frost-free freezing for the safe, long-term storage of food. The NoFrost technology creates a much larger storage capacity and keeps the freezer constantly frost-free.



## Side-by-Side-concept

Combine your Liebherr appliance with complete flexibility to suit your personal freshness needs. All models labelled side-by-side, can be vertically and/or horizontally combined to form your individual freshness centre, providing perfect solutions to all your storage needs. More information see pages 30-33.



## LED-lighting

The LED lighting is positioned above the drawers in order to save space. It ensures the best overview of your goods, saves energy and has a long life.



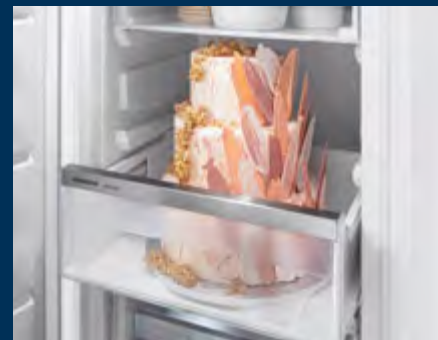
### SoftSystem

The stylish SoftSystem mechanism is integrated into the door and matches the colour of the interior door; it conveniently cushions movement to ensure extremely soft closure even when the door shelves are fully stocked. The door closes automatically from an opening angle of about 30°.



### Cold storage accumulator

The cold storage accumulators are doubly useful – both indoors and outdoors. Inside the freezer, they keep the frozen food cold for a period should there be a power failure. And they are on hand to chill your food and drinks when you're on outings.



### VarioSpace

Want to store a multi-layer ice cream cake safely until the summer party? No problem for your Liebherr freezer: Sometimes you just need more space and it's prepared for just that. With VarioSpace you can remove individual freezer drawers and the horizontal glass dividers below them, and hey presto, you have an extra large storage space.



### Touch & Swipe display

Control of your Liebherr at your fingertips: thanks to the Touch & Swipe display, you can operate your refrigerator intuitively and with ease. Simply select functions such as SuperCool on the colour display by tapping and swiping. The temperature is controlled just as easily. And, what if you are not actively using the display? Well, it then shows you the actual temperature.



### Ice cube scoop

The Liebherr ice scoop makes portioning and transporting of ice easy. Thanks to the slanted tip and the ergonomic handle, ice cubes can make it from your IceTower into your drinks quickly and easily. The robust ice scoop made of sturdy plastic is also pleasing to the eye thanks to its satin surface in transparent glacier green.



### Telescopic rails

The freezer drawers are mounted on high-quality, smooth-running telescopic rails for ease of use, even when heavily filled. The drawers offer ample storage space and have a single-piece design for easy removal and cleaning.



SIFNAd 5188 Δ Peak series



### Integrated SmartDeviceBox

Your Liebherr may well be standing in the kitchen – but if you want, it can also be connected to the Internet at any time. The integrated SmartDeviceBox opens the door to all the Smart Home benefits. Simply plug it in, switch it on and connect your Liebherr to the network via Wi-Fi.



### AutoDoor

Hands-free option with Liebherr: Thanks to AutoDoor, you can open your Liebherr with a knocking signal or voice command. This makes the Liebherr the world's first refrigerator which can be opened and closed fully automatically – perfection in the hands-free kitchen. You can individually select the opening angle and the duration until closing. And if need be, you can also open and close it just as easily by hand or using your smartphone.



## Freezer with NoFrost, IceTower and AutoDoor for integrated use

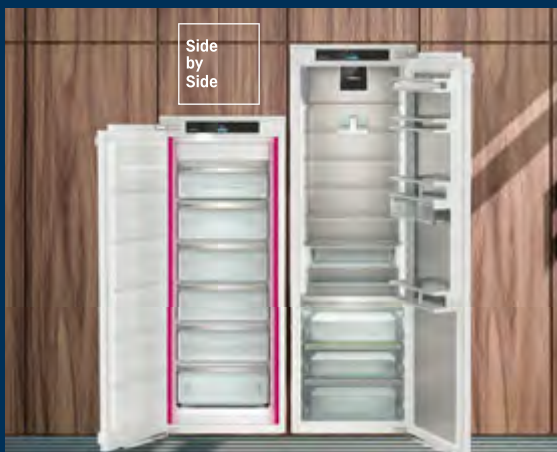


### SIFNAd 5188

Peak

Door-on-door / built-in appliance for integrated use

Energy efficiency class:	<b>D</b>
Energy consumption per year / 24 h:	<b>190 / 0.520 kWh</b>
Total volume <sup>1</sup> :	<b>213 l</b>
Noise output / Sound power level:	<b>33 dB(A) / B, SuperSilent</b>
Climate rating:	<b>SN-T (from +10 °C to +43 °C)</b>
Aperture dimensions in cm (h/w/d):	<b>177.7-179.3 / 56-57 / at least 55.0</b>



### Side-by-Side-concept

Combine your Liebherr appliance with complete flexibility to suit your personal freshness needs. All models labelled side-by-side, can be vertically and/or horizontally combined to form your individual freshness centre, providing perfect solutions to all your storage needs. More information see pages 30-33.

No Frost	Super Frost	LED	Ice Tower	Ice Maker	Auto Door	Soft System	Telescopic Rails	Super Silent
Touch & Swipe Display	VarioSpace	Smart Device						

#### Controls

- 2.4" TFT-colour display, touch- & swipe-electronics
- Digital temperature display
- SmartDeviceBox included
- Alarm in case of malfunction: visual and acoustic
- Door alarm freezer compartment: visual and acoustic

- Freezing capacity in 24 h: 12 kg
- 1 cold storage accumulator
- Safety glass fittings
- Freezer tray

#### Key features

- Side-panel heating on both sides, suitable for combination with other fridges, freezers and/or wine appliances
- Height-adjustable feet at front
- Reversible door hinge, right \*
- Replaceable door seal

#### Freezer compartment **\*\*\*\***

- 8 drawers, of which 5 on telescopic rails, VarioSpace
- IceTower
- IceMaker with fixed water connection 3/4", LED lighting
- Ice cube production in 24 h: 0.8 kg
- Ice cube storage: 5.7 kg
- LED lighting
- Temperature rise time: 9 h

\* Choose from left (**617**) or right (**001**) hand hinge, fixed. Must be chosen at the point of sale, or completed by Liebherr trained and approved service agents.

<sup>1</sup> In accordance with Regulation EU 2019/2016 we indicate the total volume to the nearest integer (rounded off) and the volume of the frozen compartments and refrigeration compartments to one place after the decimal point. You can find the full range of efficiency classes on page 13. According to (EU) 2017/1369 6a.

## Freezer with NoFrost for integrated use



Side  
by  
Side

178

### SIFNbsdi 5188

Peak

Door-on-door / built-in appliance for integrated use

Energy efficiency class:	<b>D</b> <small>A G</small>
Energy consumption per year / 24 h:	<b>190 / 0.520 kWh</b>
Total volume <sup>1</sup> :	<b>213 l</b>
Noise output / Sound power level:	<b>33 dB(A) / B, SuperSilent</b>
Climate rating:	<b>SN-T (from +10 °C to +43 °C)</b>
Aperture dimensions in cm (h/w/d):	<b>177.2-178.8 / 56-57 / at least 55.0</b>

No Frost	Super Frost	LED	Ice Tower	Ice Maker	Soft System	Telescopic Rails	Super Silent	Touch & Swipe Display
Vario Space	Smart Device							

#### Controls

- 2.4" TFT-colour display, touch- & swipe-electronics
- Digital temperature display
- SmartDeviceBox included
- Alarm in case of malfunction: visual and acoustic
- Door alarm freezer compartment: visual and acoustic

#### Freezer compartment **\*\*\***

- 8 drawers, of which 5 on telescopic rails, VarioSpace
- IceTower
- IceMaker with fixed water connection 3/4", LED lighting
- Ice cube production in 24 h: 0.8 kg
- Ice cube storage: 5.7 kg
- LED lighting

- Temperature rise time: 9 h
  - Freezing capacity in 24 h: 12 kg
  - 1 cold storage accumulator
  - Safety glass fittings
  - Freezer tray
- #### Key features
- Side-panel heating on both sides, suitable for combination with other fridges, freezers and/or wine appliances
  - Height-adjustable feet at front
  - Reversible door hinge, left
  - Replaceable door seal

For fridge and freezer sets please see our Side-by-Side Freshness Centres on pages 30-33.

Stainless steel panel and handle available as optional accessory: No. 9902 007



Side  
by  
Side

178

### SIFNdi 5188

Peak

Door-on-door / built-in appliance for integrated use

Energy efficiency class:	<b>D</b> <small>A G</small>
Energy consumption per year / 24 h:	<b>190 / 0.520 kWh</b>
Total volume <sup>1</sup> :	<b>213 l</b>
Noise output / Sound power level:	<b>33 dB(A) / B, SuperSilent</b>
Climate rating:	<b>SN-T (from +10 °C to +43 °C)</b>
Aperture dimensions in cm (h/w/d):	<b>177.2-178.8 / 56-57 / at least 55.0</b>

No Frost	Super Frost	LED	Ice Tower	Ice Maker	Soft System	Telescopic Rails	Super Silent	Touch & Swipe Display
Vario Space	Smart Device							

#### Controls

- 2.4" TFT-colour display, touch- & swipe-electronics
- Digital temperature display
- SmartDeviceBox included
- Alarm in case of malfunction: visual and acoustic
- Door alarm freezer compartment: visual and acoustic

#### Freezer compartment **\*\*\***

- 8 drawers, of which 5 on telescopic rails, VarioSpace
- IceTower
- IceMaker with fixed water connection 3/4", LED lighting
- Ice cube production in 24 h: 0.8 kg
- Ice cube storage: 5.7 kg

- LED lighting
  - Temperature rise time: 9 h
  - Freezing capacity in 24 h: 12 kg
  - 1 cold storage accumulator
  - Safety glass fittings
  - Freezer tray
- #### Key features
- Side-panel heating on both sides, suitable for combination with other fridges, freezers and/or wine appliances
  - Height-adjustable feet at front
  - Reversible door hinge, left
  - Replaceable door seal

For fridge and freezer sets please see our Side-by-Side Freshness Centres on pages 30-33.


Stainless steel panel and handle available as optional accessory: No. 9902007

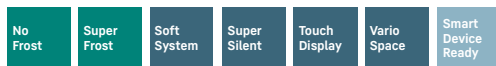




## SIFNe 5128 Plus

Door-on-door / built-in appliance for integrated use

Energy efficiency class:	
Energy consumption per year / 24 h:	<b>237 / 0.649 kWh</b>
Total volume <sup>1</sup> :	<b>213 l</b>
Noise output / Sound power level:	<b>33 dB(A) / B, SuperSilent</b>
Climate rating:	<b>SN-T (from +10 °C to +43 °C)</b>
Aperture dimensions in cm (h/w/d):	<b>177.2-178.8 / 56-57 / at least 55.0</b>



### Controls

- LC monochrome display, touch electronic
- Digital temperature display
- SmartDeviceBox: as an optional accessory
- Alarm in case of malfunction: visual and acoustic
- Door alarm freezer compartment: visual and acoustic

### Key features

- Side-panel heating on both sides, suitable for combination with other fridges, freezers and/or wine appliances
- Height-adjustable feet at front
- Reversible door hinge, left
- Replaceable door seal

### Freezer compartment **\*\*\*\***

- 8 drawers with integrated drawer guide, VarioSpace
- Ice cube tray
- Temperature rise time: 9 h
- Freezing capacity in 24 h: 12 kg
- Freezer tray

**Also available as:**  
**SIFNSe 5128** with Sliding door

For fridge and freezer sets please see our Side-by-Side Freshness Centres on pages 30-33.

Stainless steel panel and handle available as optional accessory: No. 9902007



### Integrated drawer slides

When the freezer drawers are opened and loaded, the integrated drawer slides give you convenient access to your food at all times. The pull-out stop prevents drawers from falling out when opened. On closing, the drawers slide into their final position with ease which ensures ideal air distribution in front of the drawers and therefore the best possible cooling.



### SuperSilent

Shhh – listen carefully. Your Liebherr is so quiet that you have to strain your ears to hear it. How is this achieved? All refrigeration components such as compressors, valves, fans and evaporators are optimised and perfectly adapted to one another. This means you only hear what you want to hear in your kitchen.

## Freezer with NoFrost for integrated use



Side  
by  
Side

↑  
178  
↓

### SIFNe 5108

Pure



Side  
by  
Side

↑  
140  
↓

### SIFNdi 4556

Prime

Door-on-door / built-in appliance for integrated use

Energy efficiency class:	<b>E</b> <small>A G</small>
Energy consumption per year / 24 h:	<b>237 / 0.649 kWh</b>
Total volume <sup>1</sup> :	<b>213 l</b>
Noise output / Sound power level:	<b>33 dB(A) / B, SuperSilent</b>
Climate rating:	<b>SN-T (from +10 °C to +43 °C)</b>
Aperture dimensions in cm (h/w/d):	<b>177.2-178.8 / 56-57 / at least 55.0</b>

Door-on-door / built-in appliance for integrated use

Energy efficiency class:	<b>D</b> <small>A G</small>
Energy consumption per year / 24 h:	<b>173 / 0.474 kWh</b>
Total volume <sup>1</sup> :	<b>156 l</b>
Noise output / Sound power level:	<b>34 dB(A) / B, SuperSilent</b>
Climate rating:	<b>SN-T (from +10 °C to +43 °C)</b>
Aperture dimensions in cm (h/w/d):	<b>139.7-141.3 / 56-57 / at least 55.0</b>



#### Controls

- LC monochrome display, touch electronic
- Digital temperature display
- SmartDeviceBox: as an optional accessory
- Alarm in case of malfunction: visual and acoustic
- Door alarm freezer compartment: visual and acoustic

#### Freezer compartment **E4 \*\*\***

- 8 drawers with integrated drawer guide, VarioSpace
- Temperature rise time: 9 h
- Freezing capacity in 24 h: 12 kg
- Safety glass fittings

#### Key features

- Side-panel heating on both sides, suitable for combination with other fridges, freezers and/or wine appliances
- Height-adjustable feet at front
- Reversible door hinge, left
- Replaceable door seal

#### Controls

- 2.4" TFT-colour display, touch- & swipe-electronics
- Digital temperature display
- SmartDeviceBox included
- Alarm in case of malfunction: visual and acoustic
- Door alarm freezer compartment: visual and acoustic

#### Freezer compartment **E4 \*\*\***

- 6 drawers with integrated drawer guide, VarioSpace
- Ice cube tray with lid
- LED lighting
- Temperature rise time: 10 h
- Freezing capacity in 24 h: 12 kg
- 1 cold storage accumulator
- Safety glass fittings
- Freezer tray

#### Key features

- Side-panel heating on both sides, suitable for combination with other fridges, freezers and/or wine appliances
- Height-adjustable feet at front
- Reversible door hinge, left
- Replaceable door seal



### SIFNdi 4155

Prime

Door-on-door / built-in appliance for integrated use

Energy efficiency class:	<b>D</b> <small>A G</small>
Energy consumption per year / 24 h:	<b>165 / 0.452 kWh</b>
Total volume <sup>1</sup> :	<b>129 l</b>
Noise output / Sound power level:	<b>34 dB(A) / B,</b> <b>SuperSilent</b>
Climate rating:	<b>SN-T (from +10 °C to +43 °C)</b>
Aperture dimensions in cm (h/w/d):	<b>121.6-122.6 / 56-57 /</b> <b>at least 55.0</b>

No Frost	Super Frost	LED	Soft System	Super Silent	Touch & Swipe Display
Vario Space	Smart Device				

#### Controls

- 2.4" TFT-colour display, touch- & swipe-electronics
- Digital temperature display
- SmartDeviceBox included
- Alarm in case of malfunction: visual and acoustic
- Door alarm freezer compartment: visual and acoustic

#### Freezer compartment **\*\*\*\***

- 5 drawers with integrated drawer guide, VarioSpace
- Ice cube tray with lid
- LED lighting
- Temperature rise time: 9 h
- Freezing capacity in 24 h: 12 kg
- 1 cold storage accumulator
- Safety glass fittings
- Freezer tray

#### Key features

- Side-panel heating and ceiling heating, suitable for combination with other fridges, freezers and/or wine appliances
- Height-adjustable feet at front
- Reversible door hinge, left
- Replaceable door seal



### SIFNci 3954

Prime

Door-on-door / built-in appliance for integrated use

Energy efficiency class:	<b>C</b> <small>A G</small>
Energy consumption per year / 24 h:	<b>122 / 0.334 kWh</b>
Total volume <sup>1</sup> :	<b>87 l</b>
Noise output / Sound power level:	<b>33 dB(A) / B,</b> <b>SuperSilent</b>
Climate rating:	<b>SN-T (from +10 °C to +43 °C)</b>
Aperture dimensions in cm (h/w/d):	<b>87.4-89 / 56-57 /</b> <b>at least 55.0</b>

No Frost	Super Frost	LED	Soft System	Super Silent	Touch & Swipe Display
Vario Space	Smart Device				

#### Controls

- 2.4" TFT-colour display, touch- & swipe-electronics
- Digital temperature display
- SmartDeviceBox included
- Alarm in case of malfunction: visual and acoustic
- Door alarm freezer compartment: visual and acoustic

#### Freezer compartment **\*\*\*\***

- 4 drawers, VarioSpace
- Ice cube tray with lid
- LED lighting
- Temperature rise time: 10 h
- Freezing capacity in 24 h: 10 kg
- 1 cold storage accumulator
- Safety glass fittings
- Freezer tray

#### Key features

- Side-panel heating and ceiling heating, suitable for combination with other fridges, freezers and/or wine appliances
- Height-adjustable feet at front
- Reversible door hinge, right
- Replaceable door seal



### IFNd 3924

Plus

Door-on-door / built-in appliance for integrated use

Energy efficiency class:	<b>D</b> <small>A G</small>
Energy consumption per year / 24 h:	<b>153 / 0.419 kWh</b>
Total volume <sup>1</sup> :	<b>87 l</b>
Noise output / Sound power level:	<b>34 dB(A) / B,</b> <b>SuperSilent</b>
Climate rating:	<b>SN-T (from +10 °C to +43 °C)</b>
Aperture dimensions in cm (h/w/d):	<b>87.4-89 / 56-57 /</b> <b>at least 55.0</b>

No Frost	Super Frost	Soft System	Super Silent	Touch Display	Vario Space
Smart Device Ready					

#### Controls

- LC monochrome display, touch electronic
- Digital temperature display
- SmartDeviceBox: as an optional accessory
- Alarm in case of malfunction: visual and acoustic
- Door alarm freezer compartment: visual and acoustic

#### Freezer compartment **\*\*\*\***

- 4 drawers, VarioSpace
- Ice cube tray
- Temperature rise time: 10 h
- Freezing capacity in 24 h: 10 kg
- Safety glass fittings
- Freezer tray

#### Key features

- Ceiling heating for Side-by-Side concept
- Height-adjustable feet at front
- Reversible door hinge, right
- Replaceable door seal

## Freezer for integrated use with SmartFrost



IFNd 3503 ○ Pure series



### IFd 3904

Pure

Door-on-door / built-in appliance for integrated use

Energy efficiency class:	<b>D</b> <small>A B</small>
Energy consumption per year / 24 h:	<b>143 / 0.391 kWh</b>
Total volume <sup>1</sup> :	<b>101 l</b>
Noise output / Sound power level:	<b>33 dB(A) / B, SuperSilent</b>
Climate rating:	<b>SN-ST (from +10 °C to +38 °C)</b>
Aperture dimensions in cm (h/w/d):	<b>87.4-89 / 56-57 / at least 55.0</b>



#### Controls

- LC monochrome display, touch electronic
- Digital temperature display
- SmartDeviceBox: as an optional accessory
- Alarm in case of malfunction: visual and acoustic
- Door alarm freezer compartment: visual and acoustic

#### Freezer compartment **\*\*\*\***

- 4 drawers, VarioSpace
- Temperature rise time: 10 h
- Freezing capacity in 24 h: 8 kg
- Safety glass fittings

#### Key features

- Ceiling heating for Side-by-Side concept
- Height-adjustable feet at front
- Reversible door hinge, right
- Replaceable door seal

#### Also available as:

**IFsd 3904** with Sliding door

<sup>1</sup> In accordance with Regulation EU 2019/2016 we indicate the total volume to the nearest integer (rounded off) and the volume of the frozen compartments and refrigeration compartments to one place after the decimal point.



**IFNbi 3553**  
Prime

Door-on-door / built-in appliance for integrated use

Energy efficiency class:	<b>B</b> <small>A G</small>
Energy consumption per year / 24 h:	<b>94 / 0.257 kWh</b>
Total volume <sup>1</sup> :	<b>65 l</b>
Noise output / Sound power level:	<b>33 dB(A) / B, SuperSilent</b>
Climate rating:	<b>SN-T (from +10 °C to +43 °C)</b>
Aperture dimensions in cm (h/w/d):	<b>71.4-73 / 56-57 / at least 55.0</b>



**Controls**

- 2.4" TFT-colour display, touch- & swipe-electronics
- Digital temperature display
- SmartDeviceBox included
- Alarm in case of malfunction: visual and acoustic
- Door alarm freezer compartment: visual and acoustic

**Freezer compartment** **\*\*\*\***

- 3 drawers, VarioSpace
- Ice cube tray with lid
- LED lighting
- Temperature rise time: 10 h
- Freezing capacity in 24 h: 8 kg
- 1 cold storage accumulator
- Safety glass fittings
- Freezer tray

**Key features**

- Ceiling heating for Side-by-Side concept
- Height-adjustable feet at front
- Reversible door hinge, right
- Replaceable door seal



**IFNd 3503**  
Pure

Door-on-door / built-in appliance for integrated use

Energy efficiency class:	<b>D</b> <small>A G</small>
Energy consumption per year / 24 h:	<b>148 / 0.405 kWh</b>
Total volume <sup>1</sup> :	<b>65 l</b>
Noise output / Sound power level:	<b>34 dB(A) / B, SuperSilent</b>
Climate rating:	<b>SN-T (from +10 °C to +43 °C)</b>
Aperture dimensions in cm (h/w/d):	<b>71.4-73 / 56-57 / at least 55.0</b>



**Controls**

- LC monochrome display, touch electronic
- Digital temperature display
- SmartDeviceBox: as an optional accessory
- Alarm in case of malfunction: visual and acoustic
- Door alarm freezer compartment: visual and acoustic

**Freezer compartment** **\*\*\*\***

- 3 drawers, VarioSpace
- Temperature rise time: 10 h
- Freezing capacity in 24 h: 8 kg
- Safety glass fittings

**Key features**

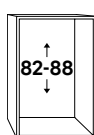
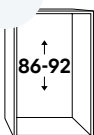
- Ceiling heating for Side-by-Side concept
- Height-adjustable feet at front
- Reversible door hinge, right
- Replaceable door seal

# Overview of product range

Prime series

Pure series

New



## Under counter refrigerator

### Door-on-door

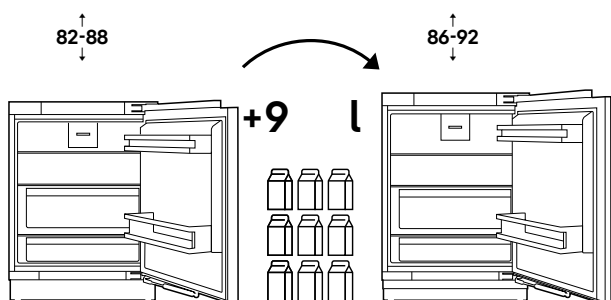
EasyFresh	URc 375i	105	URd 365i	107
Pull-out drawer	URPc 375i	105	URPd 365i	106
Fruit/vegetable	URc 3700	106	URd 3600	107
4*-freezer compartment	URc 3701	106	URd 3601	107

## Under counter freezer

### Door-on-door

NoFrost	SUFnc 375i	110	SUFnd 365i	111
SmartFrost	SUFc 3703	110	SUFd 3603	111

## More cooling volume



In the example without 4\* freezer compartment

## Side-by-side configuration

Design individual freshness centres for your customers. Combine a fridge, wine fridge or full-space BioFresh fridge in any configuration next to the under counter freezer without condensation between the appliances, thanks to Liebherr technology.

---

# Under counter

---



## Unique features

---



### Divided door shelves

Extra flexibility and convenience: for secure yet easily accessible placement of bottles, glass containers etc., the divided door shelves can be moved and reorganised to the desired height.



### Fruit and vegetable box / multi-purpose box

Store fresh products neatly and clearly in the practical fruit and vegetable box. There's lots of space in the multi-purpose box for small refrigerated goods. Transparent, spacious and easy to clean.



### EasyFresh – ideal for fruit and vegetables

Our freshness technology with adjustable air humidity for market-fresh fruit and vegetables is now built into all under counter fridges in the Prime series.



### Touch & Swipe display

The Touch & Swipe display makes operation very simple and intuitive. All functions can be selected by tapping and swiping.



### Touch display

With a soft tap of the finger, the fridge can be effortlessly set to 3 °C, 5 °C, 7 °C or 9 °C. The slimline design and integration into the lighting element maximises refrigeration space.



### Pull-out trolley

There's no better way to see food than on smooth-running telescopic rails with self-closing and soft stop mechanisms. The two fully extendable glass pull-outs ensure that everything is stored safely and is optimally accessible.





**URPc 375i**  
Prime

Door-on-door / built-in appliance

Energy efficiency class:	<b>C</b> <small>A G</small>
Energy consumption per year / 24 h:	<b>60 / 0.164 kWh</b>
Total volume <sup>1</sup> :	<b>133 l</b>
Volume:	<b>Fridge: 133.7 l</b>
Noise output / Sound power level:	<b>32 dB(A) / B, SuperSilent</b>
Climate rating:	<b>SN-T (from +10 °C to +43 °C)</b>
Aperture dimensions in cm (h/w/d):	<b>86-92 / 60 / at least 56.0</b>



**Controls**

- 2.4" TFT-colour display, touch- & swipe-electronics
- Digital temperature display
- SmartDeviceBox included
- Alarm in case of malfunction: visual and acoustic
- Door alarm fridge compartment: visual and acoustic

**Fridge compartment**

- PowerCooling with FreshAir active carbon filter
- adjustable egg tray, butter dish
- 2 GlassLine shelves
- LED ceiling lighting

**Key features**

- Height-adjustable feet at front and rear
- Pull-out drawer, fully extendible
- Replaceable door seal



**URc 375i**  
Prime

Door-on-door / built-in appliance

Energy efficiency class:	<b>C</b> <small>A G</small>
Energy consumption per year / 24 h:	<b>60 / 0.164 kWh</b>
Total volume <sup>1</sup> :	<b>134 l</b>
Volume:	<b>Fridge: 134.6 l</b>
Noise output / Sound power level:	<b>32 dB(A) / B, SuperSilent</b>
Climate rating:	<b>SN-T (from +10 °C to +43 °C)</b>
Aperture dimensions in cm (h/w/d):	<b>86-92 / 60 / at least 56.0</b>



**Controls**

- 2.4" TFT-colour display, touch- & swipe-electronics
- Digital temperature display
- SmartDeviceBox included
- Alarm in case of malfunction: visual and acoustic
- Door alarm fridge compartment: visual and acoustic

**Fridge compartment**

- PowerCooling with FreshAir active carbon filter
- Plastic storage racks with bottle holder, adjustable egg tray, butter dish
- 2 GlassLine shelves, of which 1 divisible
- LED ceiling lighting
- 1 EasyFresh Safe
- 1 large fruit/vegetable compartment

**Key features**

- Height-adjustable feet at front and rear
- Reversible door hinge, right
- Replaceable door seal

## Under counter refrigerator

↑  
86-92  
↓



### URc 3700

Pure

Door-on-door / built-in appliance

Energy efficiency class:	<b>C</b> <small>A G</small>
Energy consumption per year / 24 h:	<b>60 / 0.164 kWh</b>
Total volume <sup>1</sup> :	<b>134 l</b>
Noise output / Sound power level:	<b>34 dB(A) / B, SuperSilent</b>
Climate rating:	<b>SN-T (from +10 °C to +43 °C)</b>
Aperture dimensions in cm (h/w/d):	<b>86-92 / 60 / at least 56.0</b>



#### Controls

- TouchControl
- Alarm in case of malfunction: visual and acoustic
- Door alarm fridge compartment: visual and acoustic

#### Fridge compartment

- PowerCooling with FreshAir active carbon filter
- Plastic storage racks with bottle holder, egg tray
- 3 GlassLine shelves
- Half Fruit & Vegetable compartment

#### Key features

- Height-adjustable feet at front and rear
- Reversible door hinge, right
- Replaceable door seal

#### Also available as:

**URc 3701** with 14l freezer compartment  
in **C** A G 92 / 0.252 kWh (with 4\* ice box)



↑  
82-88  
↓

### URPd 365i

Prime

Door-on-door / built-in appliance

Energy efficiency class:	<b>D</b> <small>A G</small>
Energy consumption per year / 24 h:	<b>74 / 0.202 kWh</b>
Total volume <sup>1</sup> :	<b>124 l</b>
Noise output / Sound power level:	<b>32 dB(A) / B, SuperSilent</b>
Climate rating:	<b>SN-T (from +10 °C to +43 °C)</b>
Aperture dimensions in cm (h/w/d):	<b>82-88 / 60 / at least 56.0</b>



#### Controls

- 2.4" TFT-colour display, touch- & swipe-electronics
- Digital temperature display
- SmartDeviceBox included
- Alarm in case of malfunction: visual and acoustic
- Door alarm fridge compartment: visual and acoustic

#### Fridge compartment

- PowerCooling with FreshAir active carbon filter
- variable Eierablage. Butterdose
- 2 GlassLine shelves
- LED ceiling lighting

#### Key features

- Height-adjustable feet at front and rear
- Pull-out drawer, fully extendible
- Replaceable door seal



**URd 365i**  
Prime

↑  
82-88  
↓



**URd 3600**  
Pure

↑  
82-88  
↓

Door-on-door / built-in appliance

Energy efficiency class:	
Energy consumption per year / 24 h:	74 / 0.202 kWh
Total volume <sup>1</sup> :	125 l
Noise output / Sound power level:	33 dB(A) / B, SuperSilent
Climate rating:	SN-T (from +10 °C to +43 °C)
Aperture dimensions in cm (h/w/d):	82-88 / 60 / at least 56.0



**Controls**

- 2.4" TFT-colour display, touch- & swipe-electronics
- Digital temperature display
- SmartDeviceBox included
- Alarm in case of malfunction: visual and acoustic
- Door alarm fridge compartment: visual and acoustic

**Fridge compartment**

- PowerCooling with FreshAir active carbon filter
- Plastic storage racks with bottle holder, adjustable egg tray, butter dish
- 2 GlassLine shelves, of which 1 divisible
- LED ceiling lighting
- 1 EasyFresh Safe
- 1 large fruit/vegetable compartment

**Key features**

- Height-adjustable feet at front and rear
- Reversible door hinge, right
- Replaceable door seal

Door-on-door / built-in appliance

Energy efficiency class:	
Energy consumption per year / 24 h:	74 / 0.202 kWh
Total volume <sup>1</sup> :	127 l
Noise output / Sound power level:	34 dB(A) / B, SuperSilent
Climate rating:	SN-T (from +10 °C to +43 °C)
Aperture dimensions in cm (h/w/d):	82-88 / 60 / at least 56.0



**Controls**

- TouchControl
- Alarm in case of malfunction: visual and acoustic
- Door alarm fridge compartment: visual and acoustic

**Fridge compartment**

- Plastic storage racks with bottle holder, egg tray
- 3 GlassLine shelves
- Half Fruit & Vegetable compartment

**Key features**

- Height-adjustable feet at front and rear
- Reversible door hinge, right
- Replaceable door seal

**Also available as:**

**URd 3601** with 14l freezer compartment  
in 115 / 0.315 kWh (with 4\* ice box)



UWgbi 3682 | SUFNd 365i ◯ Prime series

## Unique features

---



### NoFrost

NoFrost means: No more tedious and time-consuming defrosting of the freezer compartment, leaving you more time for other things and saving you money.



### SmartDevice

With the SmartDeviceBox (pre-installed in "i" models), you can adjust your appliance's settings or view status messages using your smartphone and the SmartDevice app while on the go.



### VarioSpace

NoFrost and SmartFrost freezers with VarioSpace offer removable drawers for flexible storage of large frozen goods.



### Touch & Swipe display

Operating our Prime models is now incredibly easy and intuitive. All functions can be selected by tapping and swiping. The LED lighting is integrated in a way that saves space.



### Decor options

Decor panel-ready appliances can be fitted with an existing decorative panel, a kitchen front to match the kitchen plan, or (as a Liebherr accessory) with a stainless-steel panel and separate handle options.



### Side-by-side configuration

Design individual freshness centres for your customers. Combine a fridge, wine fridge or full-space BioFresh fridge in any configuration next to the under counter freezer, all without condensation between the appliances, thanks to Liebherr technology.

## Under counter freezer



**SUFNc 375i**

Prime



**SUFc 3703**

Pure

Door-on-door / built-in appliance

Energy efficiency class:	
Energy consumption per year / 24 h:	121 / 0.331 kWh
Total volume <sup>1</sup> :	80 l
Noise output / Sound power level:	32 dB(A) / B, SuperSilent
Climate rating:	SN-T (from +10 °C to +43 °C)
Aperture dimensions in cm (h/w/d):	86-92 / 60 / at least 56.0



### Controls

- 2.4" TFT-colour display, touch- & swipe-electronics
- Digital temperature display
- SmartDeviceBox included
- Alarm in case of malfunction: visual and acoustic
- Door alarm freezer compartment: visual and acoustic

### Freezer compartment **\*\*\*\***

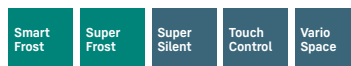
- 3 drawers with integrated drawer guide, VarioSpace
- Ice cube tray with lid
- Temperature rise time: 12 h
- Freezing capacity in 24 h: 10 kg

### Key features

- Side-panel heating on both sides, suitable for combination with other fridges, freezers and/or wine appliances
- Height-adjustable feet at front and rear
- Reversible door hinge, right
- Replaceable door seal

Door-on-door / built-in appliance

Energy efficiency class:	
Energy consumption per year / 24 h:	113 / 0.309 kWh
Total volume <sup>1</sup> :	94 l
Noise output / Sound power level:	34 dB(A) / B, SuperSilent
Climate rating:	SN-T (from +10 °C to +43 °C)
Aperture dimensions in cm (h/w/d):	86-92 / 60 / at least 56.0



### Controls

- TouchControl
- Alarm in case of malfunction: visual and acoustic
- Door alarm freezer compartment: visual and acoustic

### Freezer compartment **\*\*\*\***

- 3 drawers with integrated drawer guide, VarioSpace
- Ice cube tray
- Temperature rise time: 18 h
- Freezing capacity in 24 h: 7 kg

### Key features

- Side-panel heating on both sides, suitable for combination with other fridges, freezers and/or wine appliances
- Height-adjustable feet at front and rear
- Reversible door hinge, right
- Replaceable door seal



Side  
by  
Side

82-88

## SUFNd 365i

Prime

Door-on-door / built-in appliance

Energy efficiency class:	<b>D</b> <small>A G</small>
Energy consumption per year / 24 h:	<b>150 / 0.411 kWh</b>
Total volume <sup>1</sup> :	<b>74 l</b>
Noise output / Sound power level:	<b>34 dB(A) / B, SuperSilent</b>
Climate rating:	<b>SN-T (from +10 °C to +43 °C)</b>
Aperture dimensions in cm (h/w/d):	<b>82-88 / 60 / at least 56.0</b>



### Controls

- 2.4" TFT-colour display, touch- & swipe-electronics
- Digital temperature display
- SmartDeviceBox included
- Alarm in case of malfunction: visual and acoustic
- Door alarm freezer compartment: visual and acoustic

### Freezer compartment **\*\*\*\***

- 3 drawers with integrated drawer guide, VarioSpace
- Ice cube tray with lid
- Temperature rise time: 12 h
- Freezing capacity in 24 h: 8 kg

### Key features

- Side-panel heating on both sides, suitable for combination with other fridges, freezers and/or wine appliances
- Height-adjustable feet at front and rear
- Reversible door hinge, right
- Replaceable door seal



Side  
by  
Side

82-88

## SUFd 3603

Pure

Door-on-door / built-in appliance

Energy efficiency class:	<b>D</b> <small>A G</small>
Energy consumption per year / 24 h:	<b>140 / 0.383 kWh</b>
Total volume <sup>1</sup> :	<b>87 l</b>
Noise output / Sound power level:	<b>34 dB(A) / B, SuperSilent</b>
Climate rating:	<b>SN-T (from +10 °C to +43 °C)</b>
Aperture dimensions in cm (h/w/d):	<b>82-88 / 60 / at least 56.0</b>



### Controls

- TouchControl
- Alarm in case of malfunction: visual and acoustic
- Door alarm freezer compartment: visual and acoustic

### Freezer compartment **\*\*\*\***

- 3 drawers with integrated drawer guide, VarioSpace
- Ice cube tray
- Temperature rise time: 18 h
- Freezing capacity in 24 h: 7 kg

### Key features

- Side-panel heating on both sides, suitable for combination with other fridges, freezers and/or wine appliances
- Height-adjustable feet at front and rear
- Reversible door hinge, right
- Replaceable door seal



IRBPbsci 5170 Δ Peak series

EWTgb 3583 Vinidor

SIFNbsdi 5188 Δ Peak series



# Wine fridges

**Side  
by  
Side**

Create your own freshness centre with our side by side fridges, freezers and wine cabinets in various recesses. For more information about the Side-by-Side concept see pages 30-33.

# An overview of our Wine fridges

---

2 temperature zones

+5 °C to +20 °C

+5 °C to +20 °C



The **Vinidor range** offers maximum flexibility with two separately controlled temperature zones. The temperature of these can be set independently between +5 °C and +20 °C. This means that red and white wines can be stored at their ideal serving temperatures in the same fridge. These fridges not only provide the ideal climate conditions for long-term storage of wine, but with differently sized zones and fully adjustable temperature controls, they are suitable for every wine collection.

1 temperature zone

+20 °C



+5 °C



The **GrandCru range** storage fridges offer similar conditions to a wine cellar. This range facilitates the storage of red and white wines at the correct long-term storage temperatures or individual serving temperatures. The temperature can be adjusted from +5 °C to +20 °C as appropriate, and is both even and constant throughout the entire appliance interior.



# Quality down to the finest detail

---



## Stainless steel frame

The high-quality, easy-to-fit stainless steel frame and handle enables all EWTdf models to be elegantly integrated into any kitchen. The robust stainless steel handle makes opening the door effortless. Available as an optional accessory kit for:

EWTdf 3553 (9901573-00)

EWTdf 2353 (9901575-00)

EWTdf 1653 (9901577-00)



## SuperSilent

You've probably never heard of this Liebherr – simply because it is quieter than almost any other refrigerator. Its extra-low-noise design means it has virtually “unheard of” levels of quietness. Thanks to its ultra-quiet performance, it sets new standards even compared to the quietest refrigerators.



## TipOpen

The handle-free glazed door guarantees perfect integration into a handle-free kitchen. Not only provides UV protection you can trust but also ensures superb visibility of the stored wines. The TipOpen technology opens the glazed door 7 cm when tapped and, if the door is not opened further within three seconds, the soft-closing system will shut it again.



## Tinted isolation glass door

The handle-free glazed door guarantees perfect integration into a handle-free kitchen. Not only provides UV protection you can trust but also ensures superb visibility of the stored wines.



## LED lighting

All wine fridges feature dimmable LED lighting, which evenly illuminates the interior and can be left on permanently if desired. Because LEDs generate minimal heat, wines can be sympathetically illuminated and beautifully presented for an extended period of time.



## SoftSystem

The SoftSystem feature provides added safety and convenience. Integrated within the door, the SoftSystem cushions movement when the door is closed. This SoftSystem ensures that the door closes gently even when fully loaded inside. The door automatically closes from an angle of approximately 30°.



### Presentation shelf

The presentation shelf is ideal for keeping open bottles at the perfect temperature and without the risk of spills.



### FreshAir activated

The integrated FreshAir activated charcoal filter purifies the internal air and traps unpleasant odours. It is easy to replace and guarantees optimum air quality.



### BlackSteel interior

Refine your dark kitchen with our award-winning BlackSteel interior appliances. The rear wall and inner door impress with surfaces made of black stainless steel. The anti-fingerprint finish makes this resistant to fingerprints. All trims are accentuated in BlackSteel to complete a dark appearance. A Liebherr with BlackSteel interior perfectly fits into modern dark kitchens and stands out with elegance.



### Telescopic rails

The Vinidor appliances are equipped with solid wooden shelves mounted on telescopic rails. The handcrafted shelves made from untreated wood are ideal for storing Bordeaux bottles safely, providing a clear view and easy access.



### Clip-on labelling

The clip-on labelling system provides a quick and clear overview of your wine store.



### Accessories drawer

The easy-glide accessories drawer can be used to store accessories directly below wine storage fridges in the WKE 5 model range. This increases the 45 cm recess to a 60 cm one. Available in black glass (9901085-00).

## Dual zone wine fridges for integrated use



↑  
178  
↓

**EWTgb 3583**  
Vinidor

Flush-fitted insulated glass door / built-in appliance for integrated use

Energy efficiency class:	<b>G</b> <small>A G</small>
Energy consumption per year / 24 h:	<b>165 / 0.452 kWh</b>
Max. Bordeaux bottles 0.75 l <sup>2</sup> :	<b>83</b>
Total volume <sup>1</sup> :	<b>276 l</b>
Noise output / Sound power level:	<b>32 dB(A) / B, SuperSilent</b>
Climate rating:	<b>SN (from +10 °C to +32 °C)</b>
Door / side walls:	<b>Black insulated glass door, handle and frame-free</b>
Aperture dimensions in cm (h/w/d):	<b>177.2-178 / 56-57 / at least 55.0</b>

2 Zones	Fresh Air	Vibrate Safe	Steel Interior	LED	Soft System	Telescopic Rails	Tip Open	Super Silent
Presentation Board								

### Controls

- LC display with digital temperature indicator, Touch electronics
- Digital temperature display for both wine zones
- Alarm in case of malfunction: visual and acoustic
- Audible door alarm
- Child lock function

### Wine compartment

- 2 temperature zones, can be regulated between +5 °C to +20 °C
- 2 adjustable refrigeration circuits
- Convection cooling, FreshAir active carbon filter

- Humidity regulation via controllable ventilation
- LED lighting, infinitely dimmable
- Beechwood shelves
- 10 Shelves, of which 8 on telescopic rails, of which 1 is a presentation shelf

### Key features

- TipOpen
- Height-adjustable feet at front
- Reversible door hinge, right
- Replaceable door seal
- Concealed hinge with restricted opening



↑  
178  
↓

**EWTdf 3553**  
Vinidor

Door-on-door / built-in appliance with décor panel

Energy efficiency class:	<b>G</b> <small>A G</small>
Energy consumption per year / 24 h:	<b>162 / 0.443 kWh</b>
Max. Bordeaux bottles 0.75 l <sup>2</sup> :	<b>80</b>
Total volume <sup>1</sup> :	<b>259 l</b>
Noise output / Sound power level:	<b>32 dB(A) / B, SuperSilent</b>
Climate rating:	<b>SN-ST (from +10 °C to +38 °C)</b>
Door / side walls:	<b>Insulated glass door prepared for fridge door</b>
Aperture dimensions in cm (h/w/d):	<b>177.2-178 / 56-57 / at least 55.0</b>

2 Zones	Fresh Air	Vibrate Safe	Steel Interior	LED	Soft System	Telescopic Rails	Super Silent	Presentation Board
---------	-----------	--------------	----------------	-----	-------------	------------------	--------------	--------------------

### Controls

- LC display with digital temperature indicator, Touch electronics
- Digital temperature display for both wine zones
- Alarm in case of malfunction: visual and acoustic
- Audible door alarm
- Child lock function

### Wine compartment

- 2 temperature zones, can be regulated between +5 °C to +20 °C
- 2 adjustable refrigeration circuits

- Convection cooling, FreshAir active carbon filter
- Humidity regulation via controllable ventilation
- LED lighting, infinitely dimmable
- Beechwood shelves
- 10 Shelves, of which 8 on telescopic rails, of which 1 is a presentation shelf

### Key features

- Height-adjustable feet at front
- Reversible door hinge, right
- Replaceable door seal
- Concealed hinge with restricted opening

Stainless steel frame and handle available as optional accessory (9901573-00)

<sup>1</sup> In accordance with Regulation EU 2019/2016 we indicate the total volume to the nearest integer (rounded off) and the volume of the frozen compartments and refrigeration compartments to one place after the decimal point.

Please check with your kitchen installer that the cabinetry will accommodate the weight of the EWT.. 35.. models when fully loaded.

This special range of wine fridges (EWTdf) can either accept furniture overlay panels (supplied by your Kitchen Retailer) or the s/steel overlay accessory (at additional cost).

<sup>2</sup> These models are only bound for storing wine. Maximum DIN norm bordeaux bottles capacity (0.75 l) as per norm NF H 35-124 (H: 300.5 mm, Ø 76.1 mm). You can find the full range of efficiency classes on page 13. According to (EU) 2017/1369 6a.



## Dual zone wine fridges for integrated use



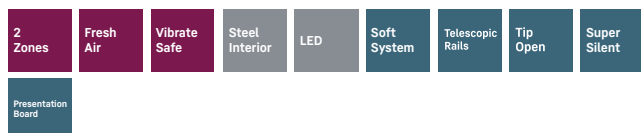
↑  
122  
↓

### EWTgb 2383

Vinidor

Flush-fitted insulated glass door / built-in appliance for integrated use

Energy efficiency class:	<b>G</b> <small>A</small> <small>B</small>
Energy consumption per year / 24 h:	<b>153 / 0.419 kWh</b>
Max. Bordeaux bottles 0.75 l <sup>2</sup> :	<b>51</b>
Total volume <sup>1</sup> :	<b>171 l</b>
Noise output / Sound power level:	<b>31 dB(A) / B, SuperSilent</b>
Climate rating:	<b>SN (from +10 °C to +32 °C)</b>
Door / side walls:	<b>Black insulated glass door, handle and frame-free</b>
Aperture dimensions in cm (h/w/d):	<b>122-123.6 / 56-57 / at least 55.0</b>



#### Controls

- LC display with digital temperature indicator, Touch electronics
- Digital temperature display for both wine zones
- Alarm in case of malfunction: visual and acoustic
- Audible door alarm
- Child lock function

#### Wine compartment

- 2 temperature zones, can be regulated between +5 °C to +20 °C
- 2 adjustable refrigeration circuits
- Convection cooling, FreshAir active carbon filter
- Humidity regulation via controllable ventilation
- LED lighting with on/off function, dimmable
- Beechwood shelves
- 6 Shelves, of which 4 on telescopic rails, of which 1 is a presentation shelf

#### Key features

- TipOpen
- Height-adjustable feet at front
- Reversible door hinge, right
- Replaceable door seal
- Concealed hinge with restricted opening



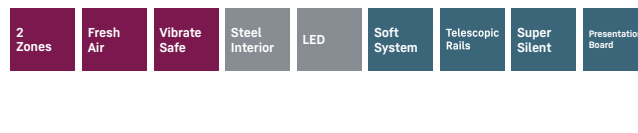
↑  
122  
↓

### EWTdf 2353

Vinidor

Door-on-door / built-in appliance with décor panel

Energy efficiency class:	<b>G</b> <small>A</small> <small>B</small>
Energy consumption per year / 24 h:	<b>151 / 0.413 kWh</b>
Max. Bordeaux bottles 0.75 l <sup>2</sup> :	<b>48</b>
Total volume <sup>1</sup> :	<b>159 l</b>
Noise output / Sound power level:	<b>32 dB(A) / B, SuperSilent</b>
Climate rating:	<b>SN-ST (from +10 °C to +38 °C)</b>
Door / side walls:	<b>Insulated glass door prepared for fridge door</b>
Aperture dimensions in cm (h/w/d):	<b>122-123.6 / 56-57 / at least 55.0</b>



#### Controls

- LC display with digital temperature indicator, Touch electronics
- Digital temperature display for both wine zones
- Alarm in case of malfunction: visual and acoustic
- Audible door alarm
- Child lock function

#### Wine compartment

- 2 temperature zones, can be regulated between +5 °C to +20 °C
- 2 adjustable refrigeration circuits
- Convection cooling, FreshAir active carbon filter
- Humidity regulation via controllable ventilation
- LED lighting, infinitely dimmable
- Beechwood shelves
- 6 Shelves, of which 4 on telescopic rails, of which 1 is a presentation shelf

#### Key features

- Height-adjustable feet at front
- Reversible door hinging
- Replaceable door seal
- Concealed hinge with restricted opening

Stainless steel frame and handle available as optional accessory (9901575-00)

Please check with your kitchen installer that the cabinetry will accommodate the weight of the EWT.. 35.. models when fully loaded.



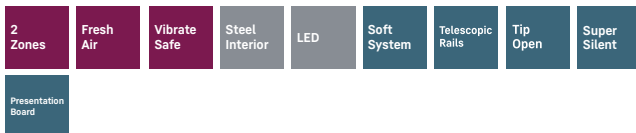


↑  
88  
↓

**EWTgb 1683**  
Vinidor

Flush-fitted insulated glass door / built-in appliance for integrated use

Energy efficiency class:	<b>G</b> <small>A</small> <small>G</small>
Energy consumption per year / 24 h:	<b>143 / 0.391 kWh</b>
Max. Bordeaux bottles 0.75 l <sup>2</sup> :	<b>33</b>
Total volume <sup>1</sup> :	<b>105 l</b>
Noise output / Sound power level:	<b>32 dB(A) / B, SuperSilent</b>
Climate rating:	<b>SN (from +10 °C to +32 °C)</b>
Door / side walls:	<b>Black insulated glass door, handle and frame-free / silver</b>
Aperture dimensions in cm (h/w/d):	<b>87.4-89 / 56-57 / at least 55.0</b>



**Controls**

- LC display with digital temperature indicator, Touch electronics
- Digital temperature display for both wine zones
- Alarm in case of malfunction: visual and acoustic
- Audible door alarm
- Child lock function

**Wine compartment**

- 2 temperature zones, can be regulated between +5 °C to +20 °C
- 2 adjustable refrigeration circuits
- Convection cooling, FreshAir active carbon filter
- Humidity regulation via controllable ventilation
- LED lighting, infinitely dimmable
- Beechwood shelves
- 4 Shelves, of which 2 on telescopic rails, of which 1 is a presentation shelf

**Key features**

- TipOpen
- Height-adjustable feet at front
- Reversible door hinge, right
- Concealed hinge with restricted opening



↑  
88  
↓

**EWTdf 1653**  
Vinidor

Door-on-door / built-in appliance with décor panel

Energy efficiency class:	<b>G</b> <small>A</small> <small>G</small>
Energy consumption per year / 24 h:	<b>142 / 0.389 kWh</b>
Max. Bordeaux bottles 0.75 l <sup>2</sup> :	<b>30</b>
Total volume <sup>1</sup> :	<b>97 l</b>
Noise output / Sound power level:	<b>32 dB(A) / B, SuperSilent</b>
Climate rating:	<b>SN-ST (from +10 °C to +38 °C)</b>
Door / side walls:	<b>Insulated glass door prepared for fridge door / silver</b>
Aperture dimensions in cm (h/w/d):	<b>87.4-89 / 56-57 / at least 55.0</b>



**Controls**

- LC display with digital temperature indicator, Touch electronics
- Digital temperature display for both wine zones
- Alarm in case of malfunction: visual and acoustic
- Audible door alarm
- Child lock function

**Wine compartment**

- 2 temperature zones, can be regulated between +5 °C to +20 °C
- 2 adjustable refrigeration circuits
- Convection cooling, FreshAir active carbon filter
- Humidity regulation via controllable ventilation
- LED lighting, infinitely dimmable
- Beechwood shelves
- 4 Shelves, of which 2 on telescopic rails, of which 1 is a presentation shelf

**Key features**

- Height-adjustable feet at front
- Reversible door hinging
- Concealed hinge with restricted opening

Stainless steel frame and handle available as optional accessory (9901577-00)

<sup>1</sup> In accordance with Regulation EU 2019/2016 we indicate the total volume to the nearest integer (rounded off) and the volume of the frozen compartments and refrigeration compartments to one place after the decimal point.

# Under counter wine coolers

2  
Zones

Tip  
Open

Light  
Tower

Presentation  
Light

Flex  
Fit

Soft  
System

# Quality down to the finest detail

---



## Pull-out shelf for horizontal storage

To maximise the available space, the lowest pull-out shelf – featuring a SoftTelescopic self-closing mechanism for the Vinidor Selection – makes it possible to store up to four bottles horizontally.



## Triple protection

Thanks to UVProtect Plus, our glass-door models offer unprecedented protection against UV radiation: three protective layers consisting of tinted glass and a double layer of vacuum-deposited metal (Low-E).



## Suitable for bottles of (almost) any size

Custom shelves made easy: The adjustable wooden trims of FlexFit wooden shelves make it possible to create a perfect fit for almost every bottle. Plus, thanks to the individual placement of the trims in the frame, all bottles are stored safely and protected against vibrations.



## SmartDevice

Settings can be adjusted, temperatures checked and relevant status information viewed via a smartphone.

Vinidor Selection models are already equipped with a SmartDeviceBox.



## LightTower

Now also in our under counter wine fridges: LED light strips on both sides create a unique ambience and a perfect view of the wines. Another highlight is the dimmable presentation light, which sets an attractive stage for the wines.



## Decor options

Decor panel-ready appliances can be fitted with a kitchen front to match the kitchen plan or (as a Liebherr accessory) with a stainless steel panel and separate handle options. It can even be handle-free with the TipOpen feature.

## Under counter wine fridge for storing wine at the ideal serving temperature



↑  
86-92  
↓

### UWgbi 3782

Vinidor Selection

Door-on-door / under counter appliance for integrated use

Energy efficiency class:	<b>E</b> <small>A G</small>
Energy consumption per year / 24 h:	<b>83 / 0.227 kWh</b>
Max. Bordeaux bottles 0.75 l <sup>2</sup> :	<b>38</b>
Total volume <sup>1</sup> :	<b>104 l</b>
Noise output / Sound power level:	<b>32 dB(A) / B, SuperSilent</b>
Climate rating:	<b>SN-ST (from +10 °C to +38 °C)</b>
Door / side walls:	<b>Insulated glass door, frame black</b>
Aperture dimensions in cm (h/w/d):	<b>86-92 / 60 / at least 58.0</b>

2 Zones	Temp Protect Plus	Fresh Air	UV Protect Plus	Vibrate Safe	Steel Interior	LED	Soft System	Telescopic Rails
Tip Open	Super Silent	Touch & Swipe Display	Smart Device					

#### Controls

- 2.4" TFT-colour display, Touch & Swipe
- Digital temperature display for both wine zones
- Alarm in case of malfunction: visual and acoustic
- Door alarm: visual and acoustic
- Child lock function

#### Wine compartment

- 2 temperature zones, can be regulated between +5 °C to +20 °C
- 2 adjustable refrigeration circuits
- Convection cooling
- Humidity setting in two levels
- Humidity regulation via controllable ventilation
- LED light column both sides with on/off function, dimmable
- 5 shelves, of which 4 on telescopic rails

#### Key features

- TipOpen
- Transport handles at back
- Height-adjustable feet at front and rear
- Reversible door hinge, right
- Replaceable door seal



↑  
86-92  
↓

### UWpri 3782

Vinidor Selection

Door-on-door / under counter appliance for integrated use

Energy efficiency class:	<b>F</b> <small>A G</small>
Energy consumption per year / 24 h:	<b>106 / 0.290 kWh</b>
Max. Bordeaux bottles 0.75 l <sup>2</sup> :	<b>38</b>
Total volume <sup>1</sup> :	<b>101 l</b>
Noise output / Sound power level:	<b>33 dB(A) / B, SuperSilent</b>
Climate rating:	<b>SN-ST (from +10 °C to +38 °C)</b>
Door / side walls:	<b>Insulated glass door, frame bordeaux red</b>
Aperture dimensions in cm (h/w/d):	<b>86-92 / 60 / at least 58.0</b>

2 Zones	Temp Protect Plus	Fresh Air	UV Protect Plus	Vibrate Safe	Steel Interior	LED	Soft System	Telescopic Rails
Tip Open	Super Silent	Touch & Swipe Display	Smart Device					

#### Controls

- 2.4" TFT-Display farbig. Touch & swipe-display
- Digital temperature display for both wine zones
- Alarm in case of malfunction: visual and acoustic
- Door alarm: visual and acoustic
- Child lock function

#### Wine compartment

- 2 temperature zones, can be regulated between +5 °C to +20 °C
- 2 adjustable refrigeration circuits
- Convection cooling
- Humidity setting in two levels
- Humidity regulation via controllable ventilation
- LED light column both sides with on/off function, dimmable
- 5 shelves, of which 4 on telescopic rails

#### Key features

- TipOpen
- Transport handles at back
- Height-adjustable feet at front and rear
- Reversible door hinge, right
- Replaceable door seal

## Under counter wine fridge for storing wine at the ideal serving temperature



82-88

### UWgbi 3682 Vinidor Selection

Door-on-door / under counter appliance for integrated use

Energy efficiency class:	<b>E</b> <small>A G</small>
Energy consumption per year / 24 h:	<b>83 / 0.227 kWh</b>
Max. Bordeaux bottles 0.75 l <sup>2</sup> :	<b>32</b>
Total volume <sup>1</sup> :	<b>95 l</b>
Noise output / Sound power level:	<b>32 dB(A) / B, SuperSilent</b>
Climate rating:	<b>SN-ST (from +10 °C to +38 °C)</b>
Door / side walls:	<b>Insulated glass door, frame black</b>
Aperture dimensions in cm (h/w/d):	<b>82-88 / 60 / at least 58.0</b>

2 Zones	Temp Protect Plus	Fresh Air	UV Protect Plus	Vibrate Safe	Steel Interior	LED	Soft System	Telescopic Rails
Tip Open	Super Silent	Touch & Swipe Display	Smart Device					

#### Controls

- 2.4" TFT-colour display, Touch & Swipe
- Digital temperature display for both wine zones
- Alarm in case of malfunction: visual and acoustic
- Door alarm: visual and acoustic
- Child lock function

#### Wine compartment

- 2 temperature zones, can be regulated between +5 °C to +20 °C
- 2 adjustable refrigeration circuits
- Convection cooling
- Humidity setting in two levels
- Humidity regulation via controllable ventilation
- LED light column both sides with on/off function, dimmable
- 5 shelves, of which 4 on telescopic rails

#### Key features

- TipOpen
- Transport handles at back
- Height-adjustable feet at front and rear
- Reversible door hinge, right
- Replaceable door seal



86-92

### UWpri 3762 Vinidor Selection

Door-on-door / under counter appliance for integrated use

Energy efficiency class:	<b>F</b> <small>A G</small>
Energy consumption per year / 24 h:	<b>105 / 0.287 kWh</b>
Max. Bordeaux bottles 0.75 l <sup>2</sup> :	<b>38</b>
Total volume <sup>1</sup> :	<b>101 l</b>
Noise output / Sound power level:	<b>34 dB(A) / B, SuperSilent</b>
Climate rating:	<b>SN-ST (from +10 °C to +38 °C)</b>
Door / side walls:	<b>Insulated glass door, frame bordeaux red</b>
Aperture dimensions in cm (h/w/d):	<b>86-92 / 60 / at least 58.0</b>

2 Zones	Temp Protect Plus	Fresh Air	UV Protect	Vibrate Safe	LED	Soft System	Telescopic Rails	Super Silent
Touch & Swipe Display	Smart Device							

#### Controls

- 2.4" TFT-Display farbig. Touch & swipe-display
- Digital temperature display for both wine zones
- Alarm in case of malfunction: visual and acoustic
- Door alarm: visual and acoustic
- Child lock function

#### Wine compartment

- 2 temperature zones, can be regulated between +5 °C to +20 °C
- 2 adjustable refrigeration circuits
- Convection cooling
- Humidity setting in two levels
- Humidity regulation via controllable ventilation
- LED zone lighting with on/off function, dimmable
- 5 shelves, of which 4 on telescopic rails

#### Key features

- Transport handles at back
- Height-adjustable feet at front and rear
- Reversible door hinge, right
- Replaceable door seal

<sup>1</sup> In accordance with Regulation EU 2019/2016 we indicate the total volume to the nearest integer (rounded off) and the volume of the frozen compartments and refrigeration compartments to one place after the decimal point.

## Under counter wine fridge for storing wine at the ideal serving temperature



↑  
82-88  
↓

### UWpri 3662

Vinidor Selection

Door-on-door / under counter appliance for integrated use

Energy efficiency class:	<b>F</b> <small>A G</small>
Energy consumption per year / 24 h:	<b>104 / 0.284 kWh</b>
Max. Bordeaux bottles 0.75 l <sup>2</sup> :	<b>32</b>
Total volume <sup>1</sup> :	<b>92 l</b>
Noise output / Sound power level:	<b>34 dB(A) / B, SuperSilent</b>
Climate rating:	<b>SN-ST (from +10 °C to +38 °C)</b>
Door / side walls:	<b>Insulated glass door, frame bordeaux red</b>
Aperture dimensions in cm (h/w/d):	<b>82-88 / 60 / at least 58.0</b>

2 Zones	Temp Protect Plus	Fresh Air	UV Protect	Vibrate Safe	LED	Soft System	Telescopic Rails	Super Silent
Touch & Swipe Display	Smart Device							

#### Controls

- 2.4" TFT-colour display, Touch & Swipe
- Digital temperature display for both wine zones
- Alarm in case of malfunction: visual and acoustic
- Door alarm: visual and acoustic
- Child lock function

#### Wine compartment

- 2 temperature zones, can be regulated between +5 °C to +20 °C
- 2 adjustable refrigeration circuits
- Convection cooling
- Humidity setting in two levels
- Humidity regulation via controllable ventilation
- LED zone lighting with on/off function, dimmable
- 4 shelves, of which 4 on telescopic rails

#### Key features

- Transport handles at back
- Height-adjustable feet at front and rear
- Reversible door hinge, right
- Replaceable door seal



↑  
86-92  
↓

### UWpri 3761

Vinidor Selection

Door-on-door / under counter appliance for integrated use

Energy efficiency class:	<b>F</b> <small>A G</small>
Energy consumption per year / 24 h:	<b>106 / 0.290 kWh</b>
Max. Bordeaux bottles 0.75 l <sup>2</sup> :	<b>44</b>
Total volume <sup>1</sup> :	<b>114 l</b>
Noise output / Sound power level:	<b>34 dB(A) / B, SuperSilent</b>
Climate rating:	<b>SN-ST (from +10 °C to +38 °C)</b>
Door / side walls:	<b>Insulated glass door, frame bordeaux red</b>
Aperture dimensions in cm (h/w/d):	<b>86-92 / 60 / at least 58.0</b>

1 Zone	Temp Protect Plus	UV Protect	Vibrate Safe	LED	Soft System	Telescopic Rails	Super Silent	Touch & Swipe Display
Smart Device								

#### Controls

- 2.4" TFT-Display farbig. Touch & swipe-display
- Digital temperature display
- Alarm in case of malfunction: visual and acoustic
- Door alarm: visual and acoustic
- Child lock function

#### Wine compartment

- 1 temperature zone, can be regulated between +5 °C and +20 °C
- Convection cooling
- Humidity setting in two levels
- Humidity regulation via controllable ventilation
- LED zone lighting with on/off function, dimmable
- 5 shelves, of which 5 on telescopic rails

#### Key features

- Transport handles at back
- Height-adjustable feet at front and rear
- Reversible door hinge, right
- Replaceable door seal

## Under counter wine fridge for storing wine at the ideal serving temperature



82-88

### UWpri 3661

Vinidor Selection

Door-on-door / under counter appliance for integrated use

Energy efficiency class:	<b>F</b> <small>A G</small>
Energy consumption per year / 24 h:	<b>106 / 0.290 kWh</b>
Max. Bordeaux bottles 0.75 l <sup>2</sup> :	<b>44</b>
Total volume <sup>1</sup> :	<b>107 l</b>
Noise output / Sound power level:	<b>34 dB(A) / B, SuperSilent</b>
Climate rating:	<b>SN-ST (from +10 °C to +38 °C)</b>
Door / side walls:	<b>Insulated glass door, frame bordeaux red</b>
Aperture dimensions in cm (h/w/d):	<b>82-88 / 60 / at least 58.0</b>

1 Zone	Temp Protect Plus	UV Protect	Vibrate Safe	LED	Soft System	Telescopic Rails	Super Silent	Touch & Swipe Display
Smart Device								

#### Controls

- 2.4" TFT-Display farbig. Touch & swipe-display
- Digital temperature display
- Alarm in case of malfunction: visual and acoustic
- Door alarm: visual and acoustic
- Child lock function

#### Wine compartment

- 1 temperature zone, can be regulated between +5 °C and +20 °C
- Convection cooling
- Humidity setting in two levels
- Humidity regulation via controllable ventilation
- LED zone lighting with on/off function, dimmable
- 4 shelves, of which 4 on telescopic rails

#### Key features

- Transport handles at back
- Height-adjustable feet at front and rear
- Reversible door hinge, right
- Replaceable door seal



82-88

### UWgb 3632

Vinidor

Door-on-door / under counter appliance for integrated use

Energy efficiency class:	<b>F</b> <small>A G</small>
Energy consumption per year / 24 h:	<b>105 / 0.287 kWh</b>
Max. Bordeaux bottles 0.75 l <sup>2</sup> :	<b>32</b>
Total volume <sup>1</sup> :	<b>98 l</b>
Noise output / Sound power level:	<b>36 dB(A) / C</b>
Climate rating:	<b>SN-ST (from +10 °C to +38 °C)</b>
Door / side walls:	<b>Insulated glass door, frame black</b>
Aperture dimensions in cm (h/w/d):	<b>82-88 / 60 / at least 58.0</b>

2 Zones	Temp Protect Plus	Fresh Air	UV Protect	Vibrate Safe	LED	Telescopic Rails	Touch Display	Easy Fill
Smart Device Ready								

#### Controls

- LC monochrome display, touch electronic
- Digital temperature display for both wine zones
- Alarm in case of malfunction: visual and acoustic
- Door alarm: visual and acoustic
- Child lock function

#### Wine compartment

- 2 temperature zones, can be regulated between +5 °C to +20 °C
- 2 adjustable refrigeration circuits
- Convection cooling
- Humidity setting in two levels
- Humidity regulation via controllable ventilation
- LED zone lighting with on/off function, dimmable
- 5 shelves, of which 3 on telescopic rails

#### Key features

- Recessed grip
- Transport handles at back
- Height-adjustable feet at front and rear
- Reversible door hinge, right
- Replaceable door seal

<sup>1</sup> In accordance with Regulation EU 2019/2016 we indicate the total volume to the nearest integer (rounded off) and the volume of the frozen compartments and refrigeration compartments to one place after the decimal point.

## Under counter wine fridge for storing wine at the ideal serving temperature



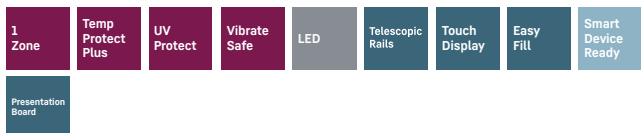
82-88

### UWgb 3631

Vinidor

Door-on-door / under counter appliance for integrated use

Energy efficiency class:	<b>F</b> <small>A G</small>
Energy consumption per year / 24 h:	<b>106 / 0.290 kWh</b>
Max. Bordeaux bottles 0.75 l <sup>2</sup> :	<b>44</b>
Total volume <sup>1</sup> :	<b>110 l</b>
Noise output / Sound power level:	<b>36 dB(A) / C</b>
Climate rating:	<b>SN-ST (from +10 °C to +38 °C)</b>
Door / side walls:	<b>Insulated glass door, frame black</b>
Aperture dimensions in cm (h/w/d):	<b>82-88 / 60 / at least 58.0</b>



#### Controls

- LC monochrome display, Touch electronics
- Digital temperature display
- Alarm in case of malfunction: visual and acoustic
- Door alarm: visual and acoustic
- Child lock function

#### Wine compartment

- 1 temperature zone, can be regulated between +5 °C to +20 °C
- Convection cooling
- Humidity setting in two levels
- Humidity regulation via controllable ventilation
- LED zone lighting with on/off function, dimmable
- 4 shelves, of which 3 on telescopic rails

#### Key features

- Recessed grip
- Transport handles at back
- Height-adjustable feet at front and rear
- Reversible door hinge, right
- Replaceable door seal

## Wine storage fridges for integrated use



45

### WKEgb 582

GrandCru

Flush-fitted insulated glass door / built-in appliance for integrated use

Energy efficiency class:	<b>G</b> <small>A G</small>
Energy consumption per year / 24 h:	<b>116 / 0.317 kWh</b>
Max. Bordeaux bottles 0.75 l <sup>2</sup> :	<b>18<sup>3</sup></b>
Total volume <sup>1</sup> :	<b>47 l</b>
Noise output / Sound power level:	<b>32 dB(A) / B, SuperSilent</b>
Climate rating:	<b>SN-ST (from +10 °C to +38 °C)</b>
Door / side walls:	<b>Black insulated glass door, handle and frame-free</b>
Aperture dimensions in cm (h/w/d):	<b>45-45.2 / 56-57 / at least 55.0</b>



#### Controls

- LC display with digital temperature indicator, Touch electronics
- Digital temperature display
- Alarm in case of malfunction: visual and acoustic
- Audible door alarm
- Child lock function

#### Wine compartment

- 1 temperature zone, can be regulated between +5 °C and +20 °C
- Convection cooling, FreshAir active carbon filter
- Humidity regulation via controllable ventilation
- LED lighting with on/off function, dimmable
- Beechwood shelves
- 3 shelves, of which 2 on telescopic rails

#### Key features

- Folding door with TipOpen technology
- Concealed hinge with restricted opening

<sup>3</sup> Max. 18 Bordeaux bottles for front to back storage.  
Taller bottles can be stored side on (max. 12 Bordeaux bottles).

<sup>1</sup> In accordance with Regulation EU 2019/2016 we indicate the total volume to the nearest integer (rounded off) and the volume of the frozen compartments and refrigeration compartments to one place after the decimal point.

You can find the full range of efficiency classes on page 13. According to (EU) 2017/1369 6a.

<sup>2</sup> These models are only bound for storing wine. Maximum DIN norm bordeaux bottles capacity (0.75 l) as per norm NF H 35-124 (H: 300.5 mm, Ø 76.1 mm)





## WKEes 553

GrandCru

A filo superficie / built-in appliance for integrated use

Energy efficiency class:	<b>G</b>
Energy consumption per year / 24 h:	<b>138 / 0.378 kWh</b>
Max. Bordeaux bottles 0.75 l <sup>2</sup> :	<b>18</b>
Total volume <sup>1</sup> :	<b>51 l</b>
Noise output / Sound power level:	<b>32 dB(A) / B, SuperSilent</b>
Climate rating:	<b>SN (from +10 °C to +32 °C)</b>
Door / side walls: <b>Insulated glass door with stainless steel frame, recessed grip / silver</b>	
Aperture dimensions in cm (h/w/d):	<b>45 / 56 / at least 55.0</b>



### Controls

- LC display with digital temperature indicator, Touch electronics
- Digital temperature display
- Alarm in case of malfunction: visual and acoustic
- Audible door alarm
- Child lock function

### Wine compartment

- 1 temperature zone, can be regulated between +5 °C and +20 °C
- Convection cooling, FreshAir active carbon filter
- Humidity regulation via controllable ventilation
- LED lighting with on/off function, dimmable
- Beechwood shelves
- 3 shelves, of which 2 on telescopic rails

### Key features

- Recessed grip
- Reversible door hinge, right
- Concealed hinge with restricted opening

<sup>2</sup> Max. 18 Bordeaux bottles for front to back storage.  
Taller bottles can be stored side on using the brackets provided (max. 12 Bordeaux bottles).





OKes 1750



## Outdoor

Outdoor kitchens with refrigerators – whether freestanding or built-in – also provide convenience and perfect storage outdoors. The Outdoor Cooler is ideally suited to outdoor use thanks to its rust- and weatherproof materials, robust construction and high-quality components as well as its automatic shut-down function and integrated lock.



## Flexible and ergonomic interior layout

With bottles stored at the bottom, the two storage racks are ideal for smaller packages. The glass shelf on telescopic rails provides an overview of foodstuffs stored at the back. Depending on the size, containers can also be stored on two height-adjustable glass shelves. And a separable glass shelf means that larger and open bottles can easily be stored upright.



## OKes 1750

Energy efficiency class:	<b>B</b> <small>A G</small>
Energy consumption year / 24 h:	<b>177 / 0.484 kWh</b>
Total volume <sup>1</sup> :	<b>109 l</b>
Noise output / Sound power level:	-
Door / side walls:	<b>Stainless steel / stainless steel</b>
Exterior dimensions in cm (h / w / d):	<b>81.8 / 59.8 / 57.7</b>



### Controls

- LCD display in the interior
- MagicEye with digital temperature display
- Alarm in case of malfunction: visual and acoustic
- Door alarm fridge compartment: visual and acoustic

### Outdoor Cooler

- LED lighting
- 1 Temperature zone, which can set from +2 °C to +14 °C
- Safety shut-down
- Ambient temperature range: +2 °C to +35 °C

### Key features

- Can be installed underneath counters (ventilation via the base)
- Stainless steel slimline door handle
- Height-adjustable feet at front and back
- Reversible door hinging
- Concealed hinge with restricted opening
- Splash-proof class: IPX-4

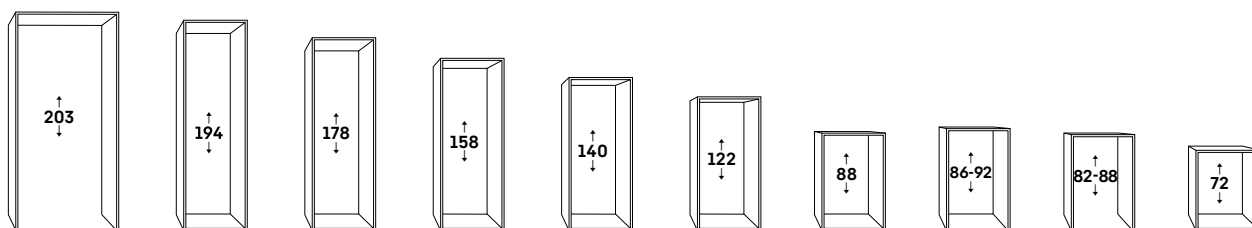
<sup>1</sup> In accordance with Regulation EU 2019/2016 we indicate the total volume to the nearest integer (rounded off) and the volume of the frozen compartments and refrigeration compartments to one place after the decimal point. You can find the full range of efficiency classes at page 13. According to (EU) 2017/1369 6a.

## Fully integrated appliance glossary



### Aperture dimensions

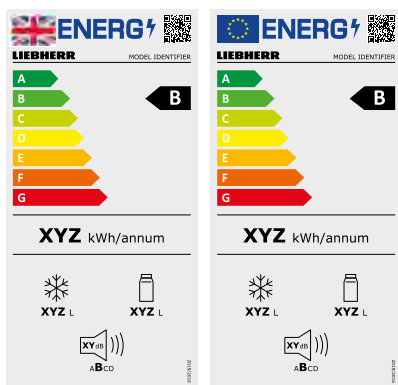
The dimensions for fully integrated appliances are industry standard. The aperture dimensions provide information about the appliance size or height. The exact dimensions of each appliance can be seen in the installation diagrams on the pages that follow.



<b>SN</b>	from +10 °C to +32 °C
<b>ST</b>	from +16 °C to +38 °C
<b>N</b>	from +16 °C to +32 °C
<b>T</b>	from +16 °C to +43 °C

### Climate class

The climate rating specifies the ambient temperature for which the appliances are guaranteed to work normally. The following climate ratings have been defined (pursuant to DIN EN ISO 15502):



### Outstanding energy efficiency

By combining state-of-the-art, precision electronics and highly efficient refrigeration systems, Liebherr offers an attractive and ultra-economical range of appliances in the best energy efficiency classes across all product groups. Liebherr offers products with the greatest possible energy savings. You can find the full range of efficiency classes on page 13. According to (EU) 2017/1369 6a.

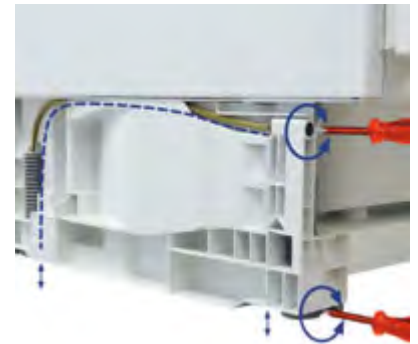


### Four-point attachment

So that our fully integrated fridges can be installed correctly, we provide special four-point fixing as standard for all our door-on-door appliances. The fixing points are attractively concealed with covers and the attachment brackets create a depth stop at the top and bottom. This alignment device ensures that the appliance is correctly positioned within the kitchen unit. Taller appliances with a height of 140 cm or more also come with two height-adjustable positioning feet at the front.

### Vario plinth

The Vario plinth makes it possible to adapt under counter models (UIK, SUIG, UWT and UWK) to the height and depth of the kitchen units. All four positioning feet can be adjusted by up to 50 mm from the front. The position of the ventilation grille can also be adjusted to match the front of the kitchen units; it can be moved by up to 55 mm.



### Levelling bars

Taller appliances with a height of 140 cm or more have two levelling bars on the left and right of the base. These make it possible to correctly level position the appliance and thereby ensure that the door closes correctly so that the appliance works properly.



### Front air intake and ventilation

To ensure that the refrigeration system is cooled and the appliance operates correctly, fully integrated appliances must be adequately ventilated. Depending on the model and the installation location:

- 1** – Fully integrated appliances in non-ceiling height kitchen units.  
Front air intake in the plinth, venting via the back wall of the kitchen unit.
- 2** – Fully integrated appliances in ceiling height kitchen units.  
Front air intake in the plinth, venting via ventilation slots at the top.
- 3** – In the case of individual fully integrated appliances installed one above the other (Freshness Centre/SBS Concept, see pages 30-33) ventilation takes place as described in 1 and 2.
- 4** – Fully integrated appliances with both air intake and venting at the front.
- 5** – Under counter appliances with front air intake in the plinth.  
Venting via ventilation slots at the top.
- 6** – Under counter appliances with both air intake and venting at the front.

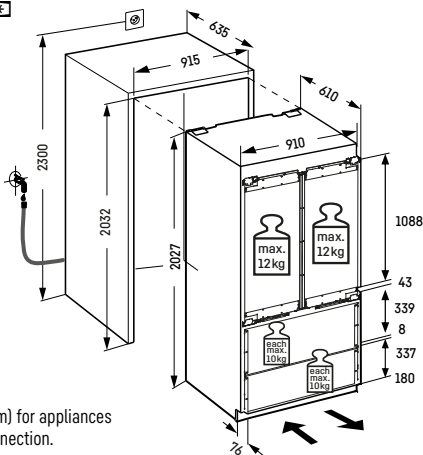
Please note: All ventilation slots must be at least 200 cm<sup>2</sup>.



## Diagrams

↑ 203 [mm]

ECBNe 8872 \*\*\*\*



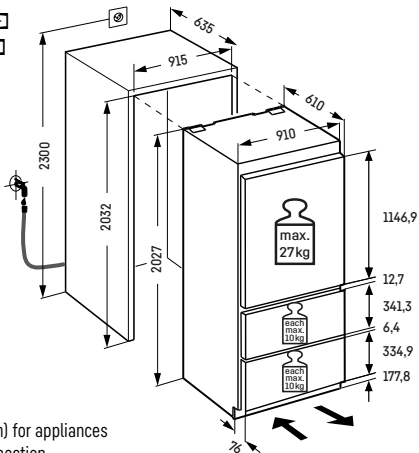
Reinforced flexible hose (3m) for appliances with a 3/4" plumbed-in connection.

NB:  
The cupboard door is attached to the appliance door (door on door assembly). No cupboard hinges required.

↑ 203 [mm]

ECBNe 8870 \*\*\*\*

ECBNe 8871 \*\*\*\*



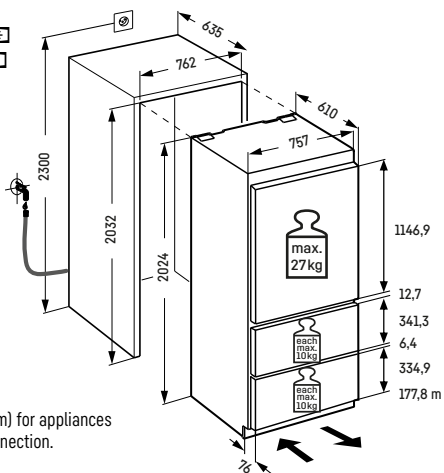
Reinforced flexible hose (3m) for appliances with a 3/4" plumbed-in connection.

NB:  
The cupboard door is attached to the appliance door (door on door assembly). No cupboard hinges required.

↑ 203 [mm]

ECBNe 7870 \*\*\*\*

ECBNe 7871 \*\*\*\*



Reinforced flexible hose (3m) for appliances with a 3/4" plumbed-in connection.

NB:  
The cupboard door is attached to the appliance door (door on door assembly). No cupboard hinges required.

↑ 178

Plumbed-in connection

ECBNe 8872 \*\*\*\*

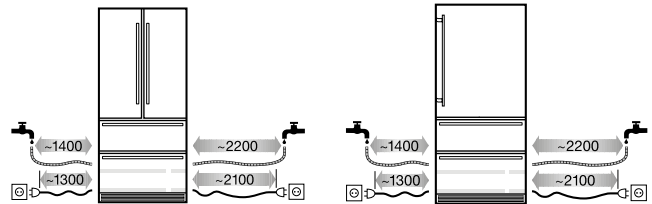
Plumbed-in connection

ECBNe 8870 \*\*\*\*

ECBNe 8871 \*\*\*\*

ECBNe 7870 \*\*\*\*

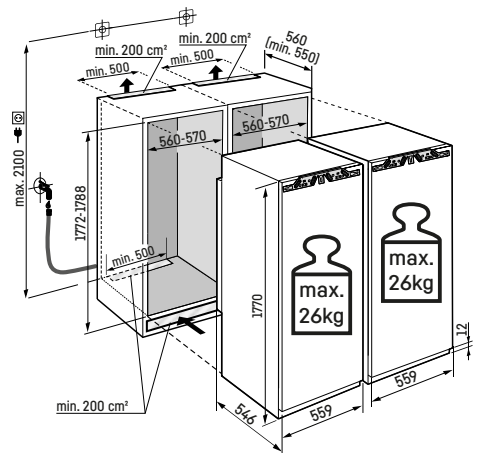
ECBNe 7871 \*\*\*\*



Fixed water connection (3/4") required for automatic ice-cube maker.  
Reinforced flexible hose (3m) for appliances with a 3/4" plumbed-in connection.

↑ 178 [mm]

IXRF 5175 \*\*\*\*



NB: The cupboard door is attached to the appliance door (door on door assembly). No cupboard hinges required.

Plumbed-in connection

IXRFA 5175 \*\*\*\*

IXRF 5175 \*\*\*\*

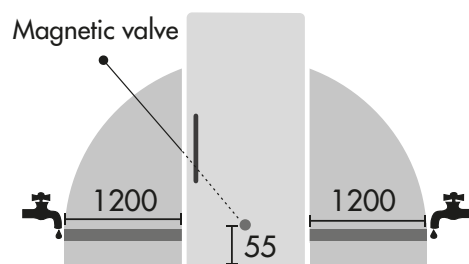
IRBAc 5190 \*\*\*\*

SIFNAd 5188 \*\*\*\*

SIFNbsdi 5188 \*\*\*\*

SIFNdi 5188 \*\*\*\*

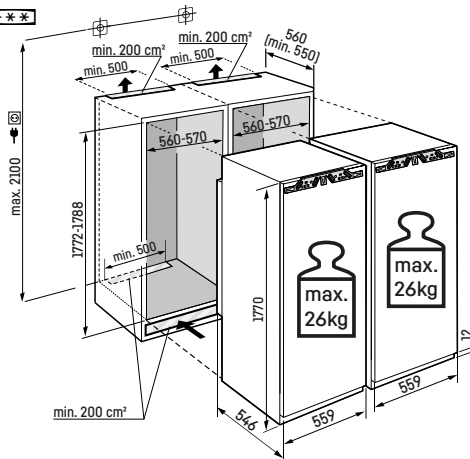
IRBci 5180



↑  
178  
↓

[mm]

**IXRF 5125** \*\*\*\*  
**IXRF 5100** \*\*\*\*

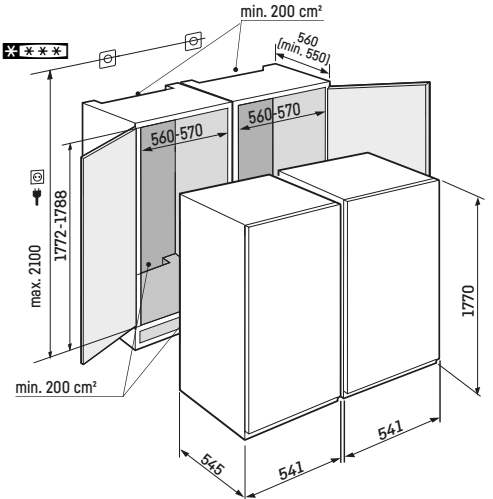


NB: The cupboard door is attached to the appliance door (door on door assembly).  
No cupboard hinges required.

↑  
178  
↓

[mm]

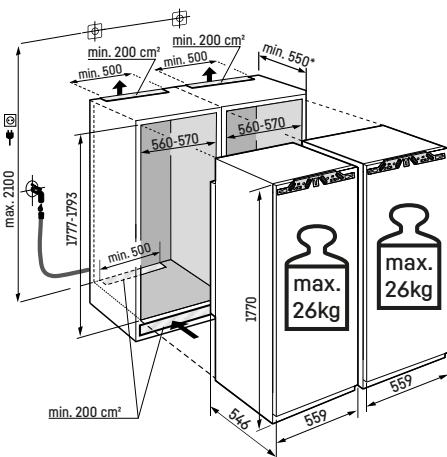
**IXRFS 5125** \*\*\*\*



↑  
178  
↓

[mm]

**IXRFA 5175** \*\*\*\*

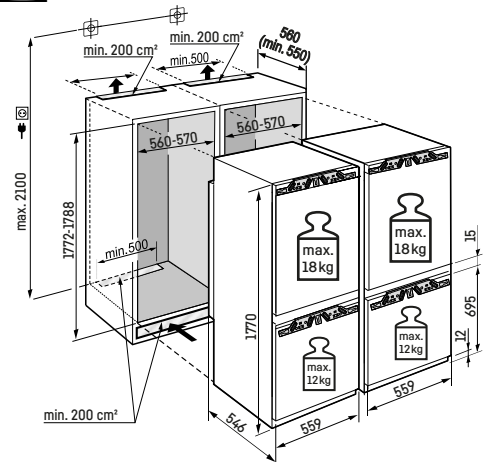


NB: The cupboard door is attached to the appliance door (door on door assembly).  
No cupboard hinges required.

↑  
178  
↓

[mm]

**IXCC 5155** \*\*\*\*

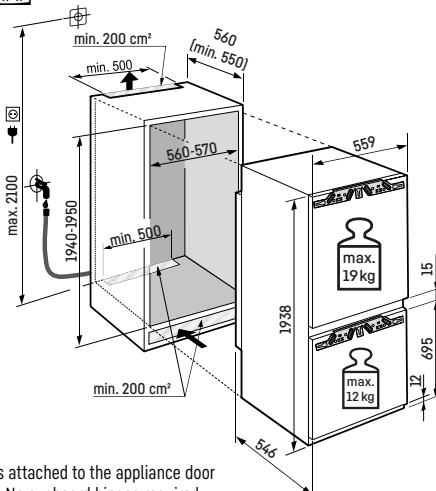


NB: The cupboard door is attached to the appliance door (door on door assembly).  
No cupboard hinges required.

↑  
194  
↓

[mm]

**ICBNci 5663** \*\*\*\*



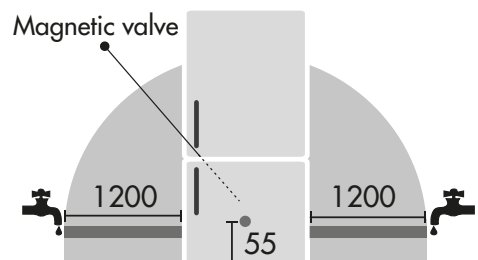
NB: The cupboard door is attached to the appliance door (door on door assembly).  
No cupboard hinges required.

Plumbed-in connection

**ICBNci 5663** \*\*\*\*

**ICBNci 5183** \*\*\*\*

**ICBNbsci 5173** \*\*\*\*



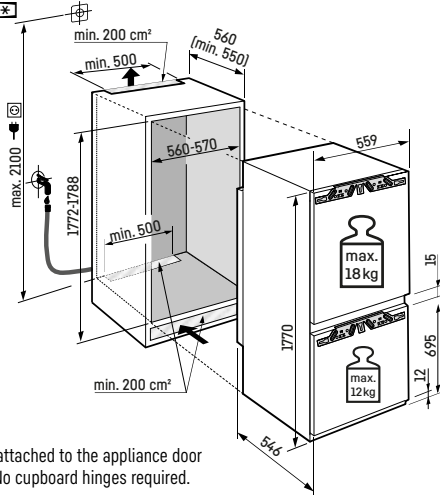
# Diagrams

↑ 178 [mm]

ICBNci 5183 \*\*\*\*

ICBNbsci 5173 \*\*\*\*

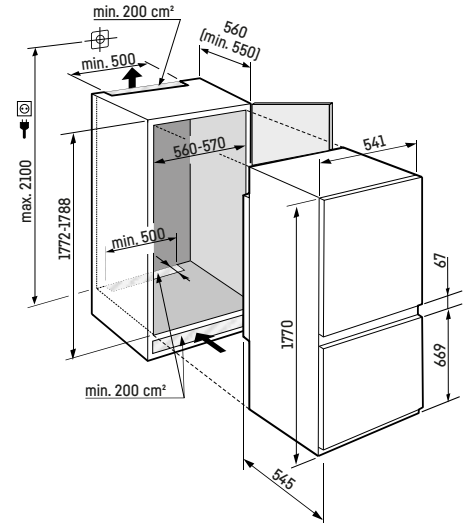
ICBNdi 5163 \*\*\*\*



NB: The cupboard door is attached to the appliance door (door on door assembly). No cupboard hinges required.

↑ 178 [mm]

ICSe 5103 \*\*\*\*



↑ 178 [mm]

SICNdi 5153 \*\*\*\*

ICBNci 5153 \*\*\*\*

ICBNbi 5153 \*\*\*\*

ICBNdi 5123 \*\*\*\*

ICNd 5123 \*\*\*\*

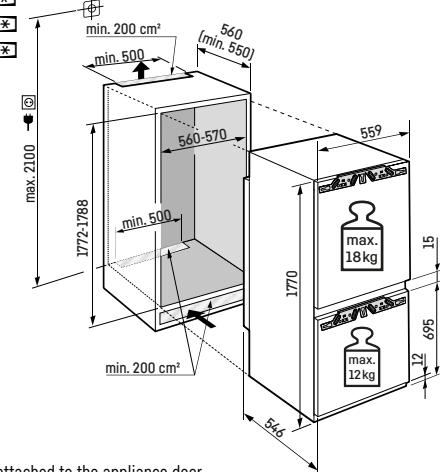
ICNb 5123 \*\*\*\*

ICNe 5103 \*\*\*\*

ICNc 5103 \*\*\*\*

ICBa 5123 \*\*\*\*

ICe 5103 \*\*\*\*

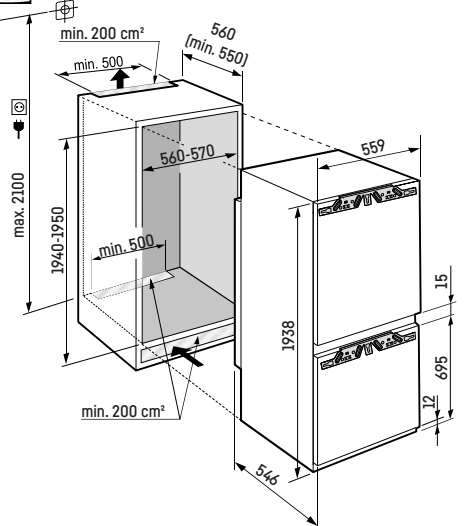


NB: The cupboard door is attached to the appliance door (door on door assembly). No cupboard hinges required.

↑ 194 [mm]

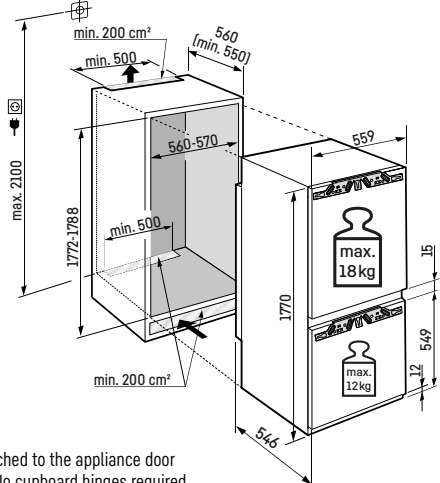
ICBNc 5623 \*\*\*\*

ICNd 5603 \*\*\*\*



↑ 178 [mm]

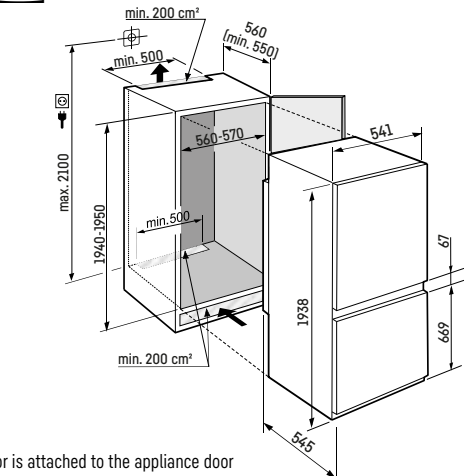
ICBbi 5122 \*\*\*\*



The cupboard door is attached to the appliance door (door on door assembly). No cupboard hinges required.

↑ 194 [mm]

ICNsd 5603 \*\*\*\*



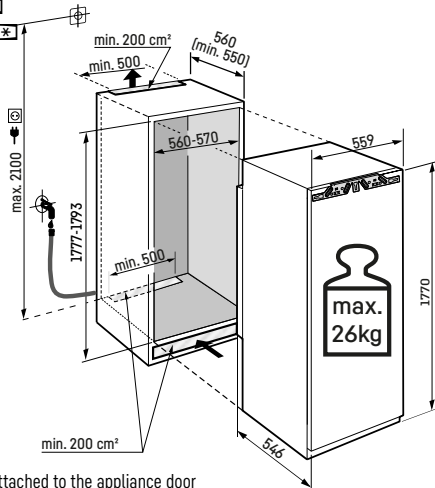
NB: The cupboard door is attached to the appliance door (door on door assembly). No cupboard hinges required.



↑  
178  
↓

[mm]

**IRBAc 5190** \*\*\*\*  
**SIFNAc 5188** \*\*\*\*

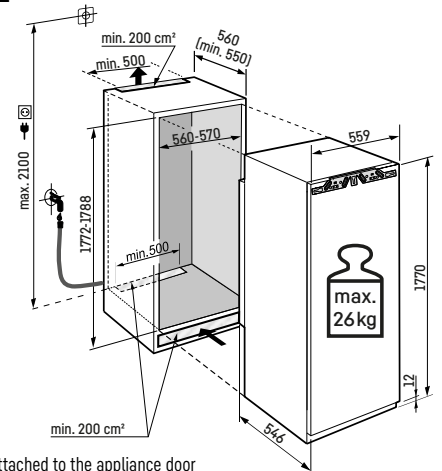


NB: The cupboard door is attached to the appliance door (door on door assembly). No cupboard hinges required.

↑  
178  
↓

[mm]

**SIFNbsdi 5188** \*\*\*\*  
**SIFNdi 5188** \*\*\*\*  
**IRBci 5180**

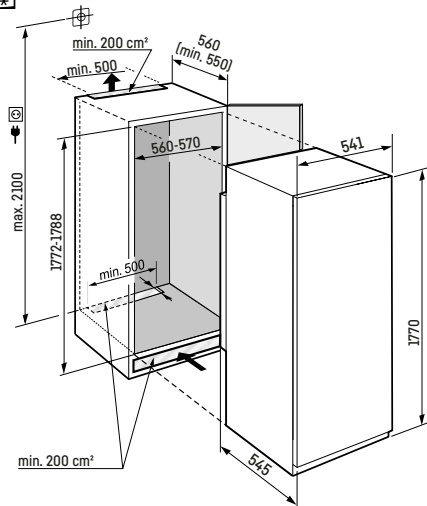


NB: The cupboard door is attached to the appliance door (door on door assembly). No cupboard hinges required.

↑  
178  
↓

[mm]

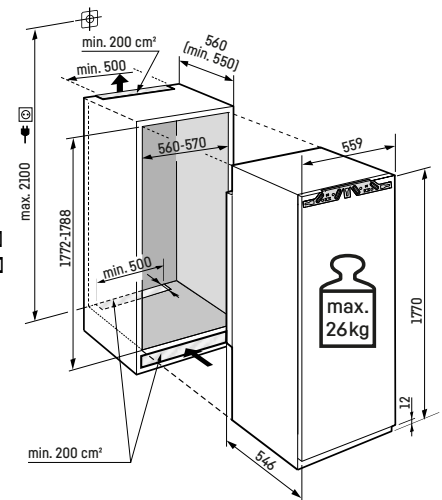
**IRBSd 5120**  
**SIFNSe 5128** \*\*\*\*



↑  
178  
↓

[mm]

**IRBPci 5170**  
**IRBci 5170**  
**IRBbsci 5170**  
**IRBbi 5150**  
**IRBd 5120**  
**IRDdi 5120**  
**IRe 5100**  
**IRe 5101**  
**SIFNe 5128** \*\*\*\*  
**SIFNe 5108** \*\*\*\*

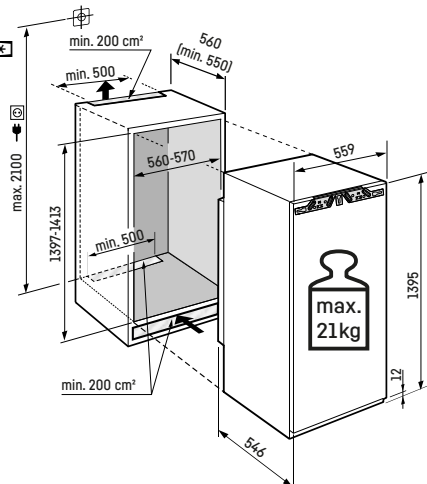


NB: The cupboard door is attached to the appliance door (door on door assembly). No cupboard hinges required.

↑  
140  
↓

[mm]

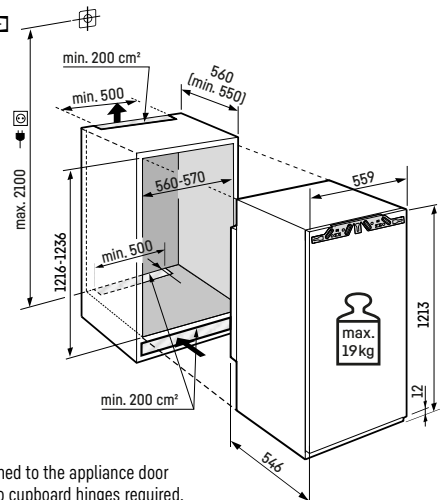
**IRBci 4550**  
**IRBc 4520**  
**IRd 4520**  
**SIFNdi 4556** \*\*\*\*



↑  
122  
↓

[mm]

**IRBci 4150**  
**SIFNdi 4155** \*\*\*\*  
**IRe 4100**  
**IRe 4101** \*\*\*\*

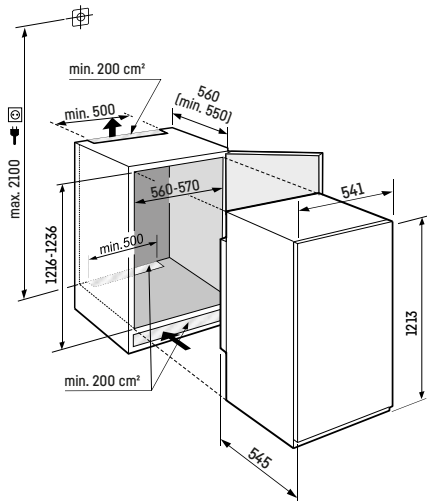


The cupboard door is attached to the appliance door (door on door assembly). No cupboard hinges required.

# Diagrams

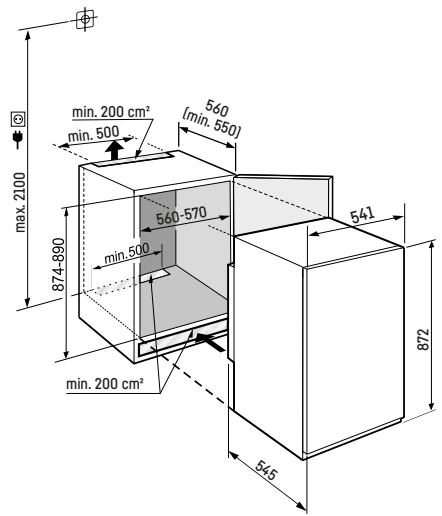
↑  
122  
↓

**IRBSd 4120**



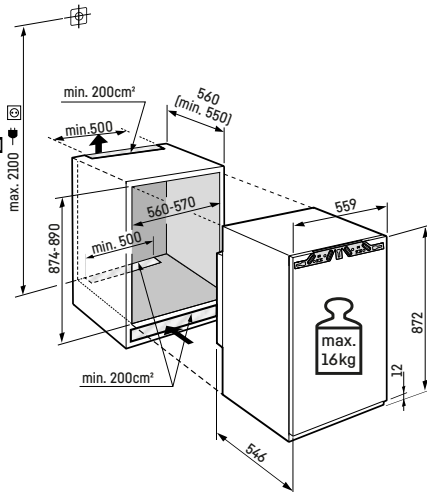
↑  
88  
↓

**IRSe 3901** \*\*\*\*  
**IRSe 3900**  
**IFSD 3904**



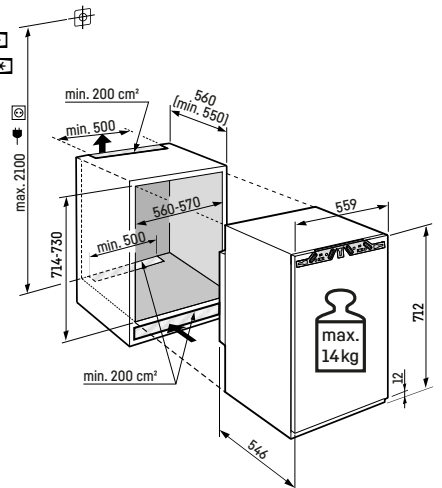
↑  
88  
↓

**IRci 3950**  
**IRc 3920**  
**IRc 3921** \*\*\*\*  
**IRe 3900**  
**SIFNci 3954** \*\*\*\*  
**IFNd 3924** \*\*\*\*  
**IFd 3904** \*\*\*\*



↑  
72  
↓

**IFNd 3503** \*\*\*\*  
**IFNbi 3553** \*\*\*\*

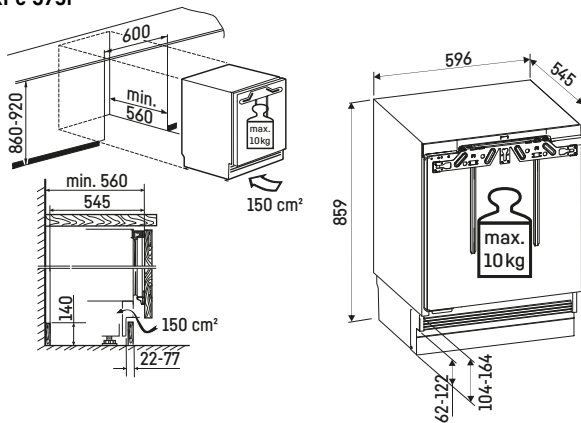


The cupboard door is attached to the appliance door (door on door assembly).  
No cupboard hinges required.

NB:  
The cupboard door is attached to the appliance door (door on door assembly).  
No cupboard hinges required.

↑  
86-92  
↓

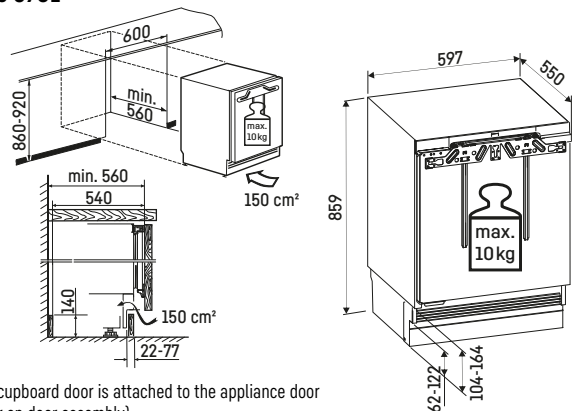
**URPc 375i**



NB:  
The cupboard door is attached to the appliance door (door on door assembly).  
No cupboard hinges required.

↑  
86-92  
↓

**URc 375i**      **SUFNc 375i** \*\*\*\*  
**URc 3700**      **SUFc 3703** \*\*\*\*  
**URc 3701**

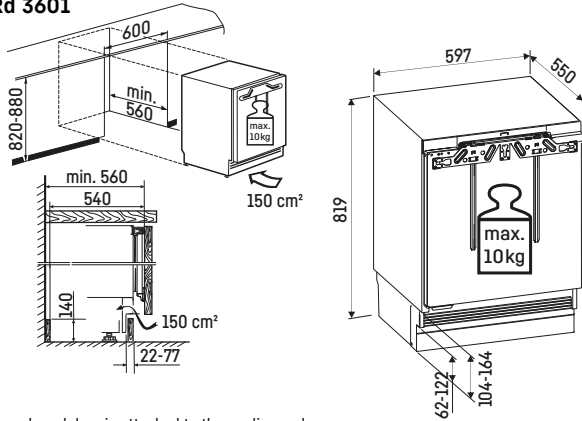


NB:  
The cupboard door is attached to the appliance door (door on door assembly).  
No cupboard hinges required.

82-88 [mm]

URd 365i  
URd 3600  
URd 3601

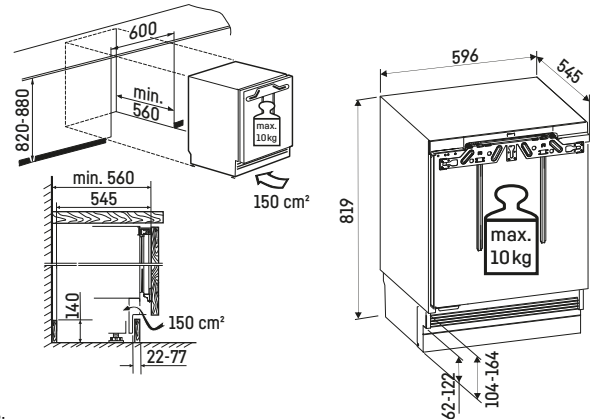
SUFNd 365i \*\*\*  
SUFd 3603 \*\*\*



NB:  
The cupboard door is attached to the appliance door  
(door on door assembly).  
No cupboard hinges required.

82-88 [mm]

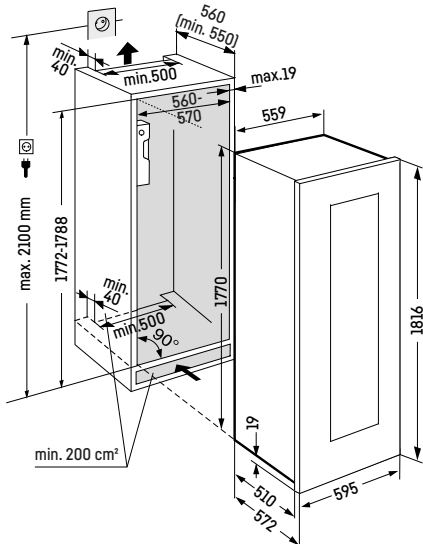
URPd 365i



NB:  
The cupboard door is attached to the appliance door  
(door on door assembly).  
No cupboard hinges required.

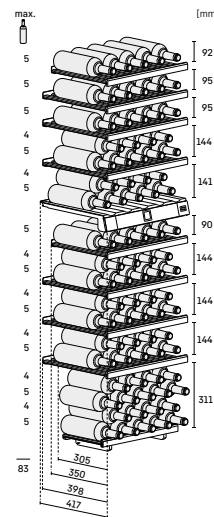
178 [mm]

EWTGb 3583

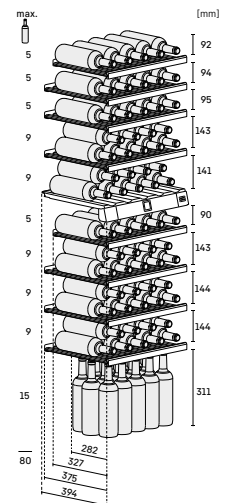


Door dimensions (h/w/d): 595/1816/552 mm.

Storage diagrams's:  
EWTGb 3583

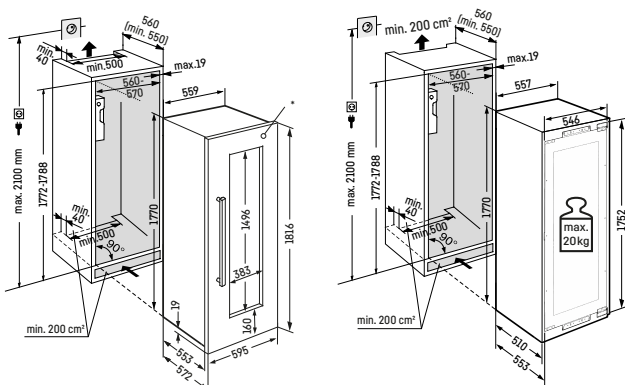


EWTdf 3553



178 [mm]

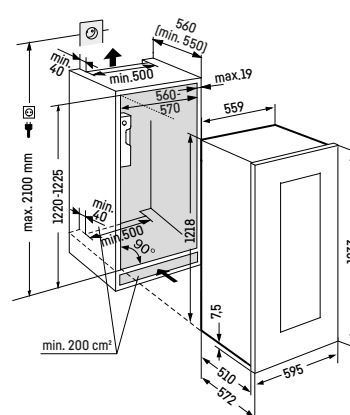
EWTdf 3553



\* Shown with stainless steel frame installed.  
Door dimensions (h/w/d): 595/1816/552 mm.

122 [mm]

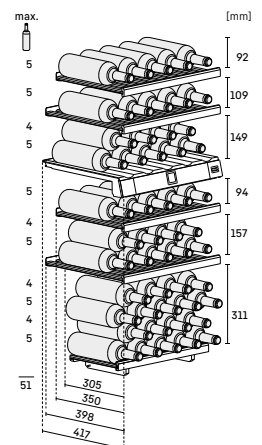
EWTGb 2383



Door dimensions (h/w/d): 595/1233/552 mm.

Storage diagrams:

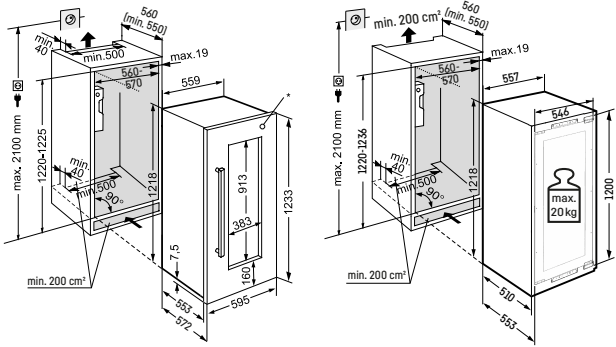
EWTGb 2383



# Diagrams

↑ 122 [mm]

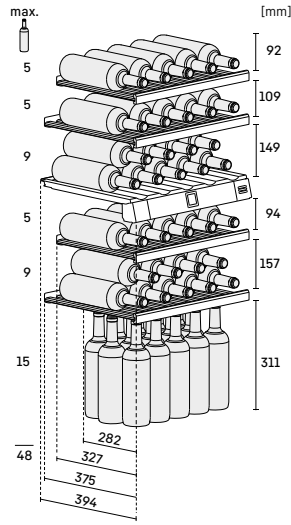
## EWTdf 2353



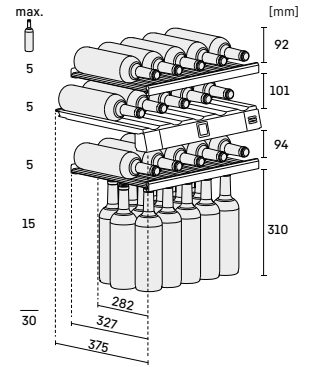
\* Shown with stainless steel frame installed  
Door dimensions (h/w/d): 595/1233/552 mm.

## Storage diagrams:

### EWTdf 2353

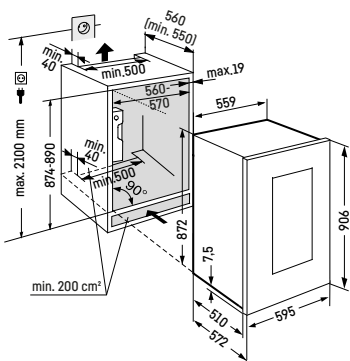


### EWTdf 1653



↑ 88 [mm]

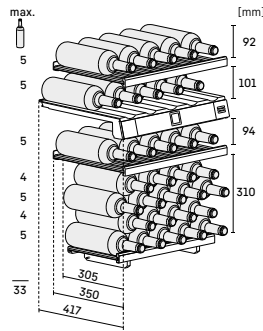
## EWTgb 1683



Door dimensions (h/w/d): 595/906/552 mm.

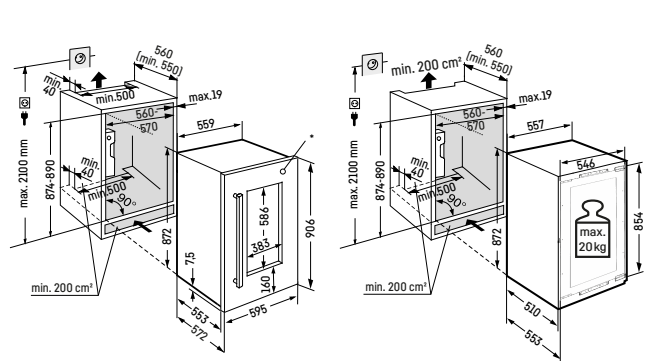
## Storage diagrams:

### EWTgb 1683



↑ 88 [mm]

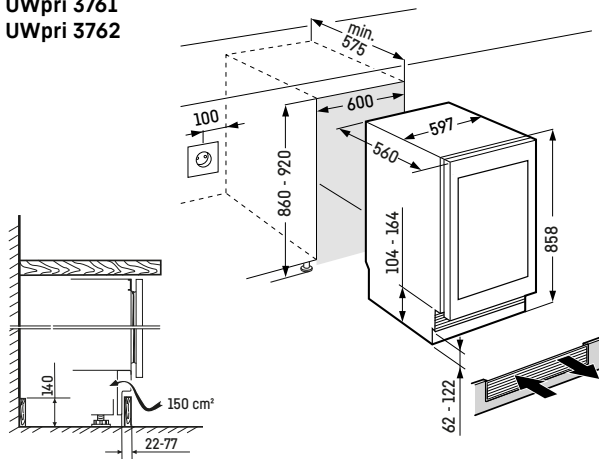
## EWTdf 1653



\* Shown with stainless steel frame installed.  
Door dimensions (h/w/d): 595/906/552 mm.

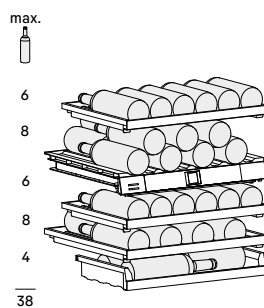
↑ 86-92 [mm]

## UWpri 3782 UWpri 3761 UWpri 3762

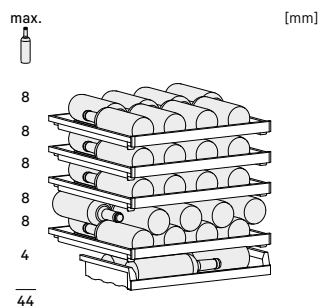


## Storage diagrams:

### UWpri 3782 UWgbi 3782 UWpri 3762



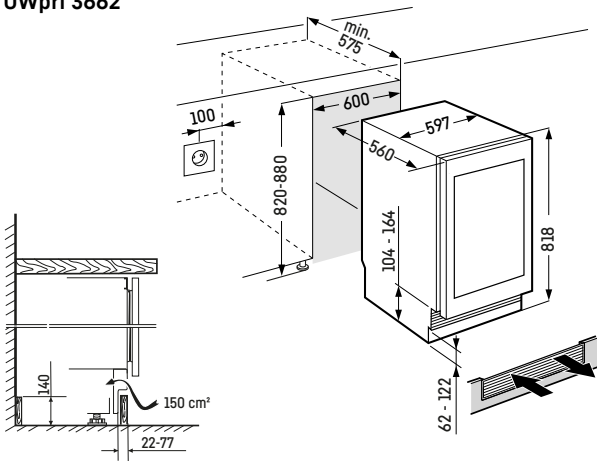
### UWpri 3761



82-88

[mm]

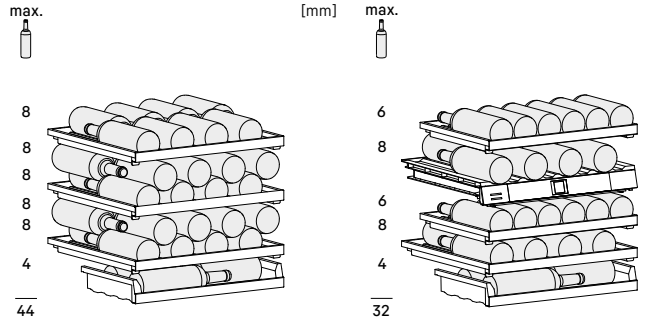
UWpri 3661  
UWpri 3662



Storage diagrams:

UWpri 3661

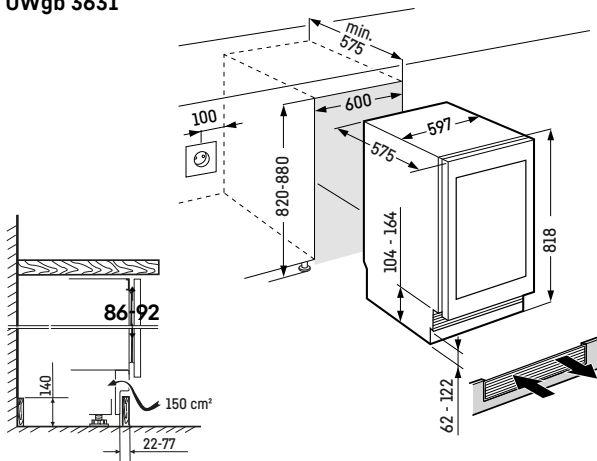
UWpri 3662



82-88

[mm]

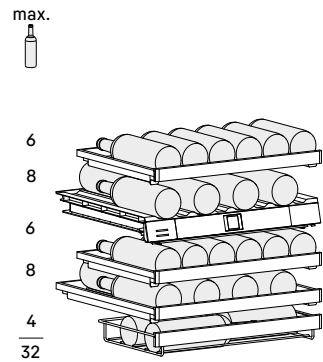
UWgb 3632  
UWgb 3631



Storage diagrams:

UWgb 3632

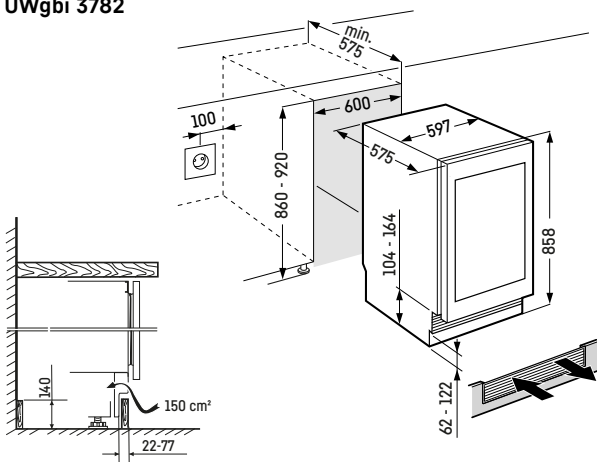
max. [mm]



86-92

[mm]

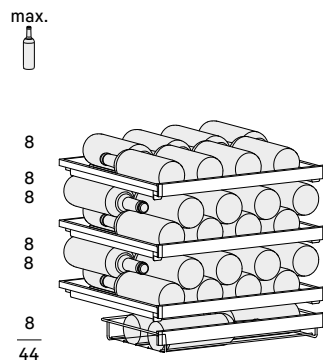
UWgb 3682  
UWgb 3782



Storage diagrams:

UWgb 3631

max. [mm]

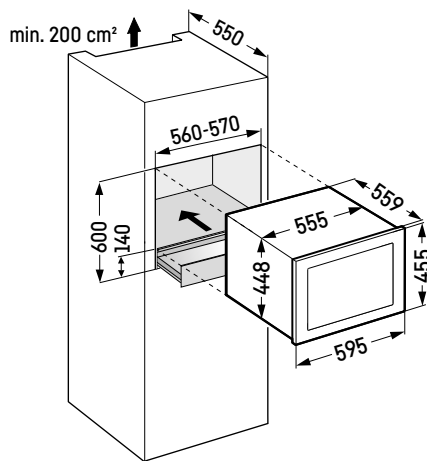


## Diagrams

45

[mm]

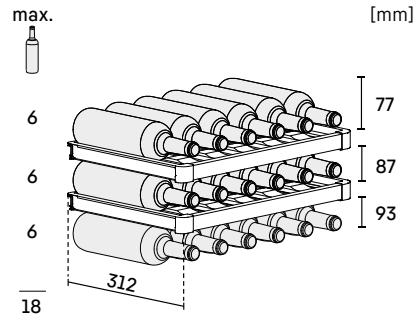
### WKEgb 582



Glass door with stainless steel frame.  
Door dimensions (h/w/d): 450 / 595 / 35 mm

### Storage diagrams:

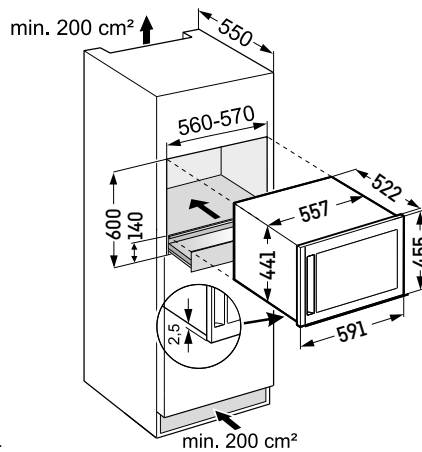
#### WKEgb 582



45

[mm]

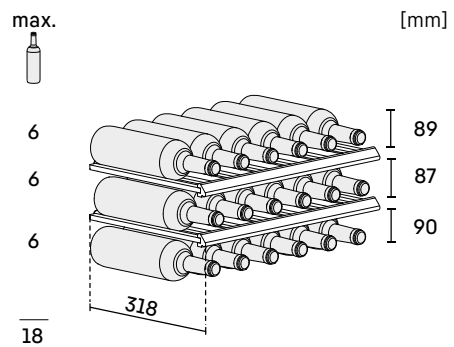
### WKEes 553



NB:  
Ventilation always upwards.  
When installation underneath the worktop,  
a ventilation grill is required.  
Glass door with stainless steel frame.  
Door dimensions (h/w/d): 455 / 591 / 16 mm

### Storage diagrams:

#### WKEes 553



# Stay in touch

---

## Our catalogue programme

Ask your Liebherr dealer for our main catalogues for freestanding and fully integrated appliances and for our specials. All catalogues are also available for download at [home.liebherr.com](https://home.liebherr.com).



**SmartDevice app:** The smart companion for your Liebherr. Operate your appliances conveniently via app, receive important status messages and benefit from many other services relating to your fridge.



You can download our apps here.



## Liebherr-Great Britain Ltd

Normandy Lane, Stratton Business Park,  
Biggleswade, SG18 8QB,  
Tel.: +44 (0) 3330 147 888

Email Sales: [LGB.RefrigerationSales@liebherr.com](mailto:LGB.RefrigerationSales@liebherr.com),  
Customer Service: [LGB.Refrigeration@liebherr.com](mailto:LGB.Refrigeration@liebherr.com)  
[home.liebherr.com](https://home.liebherr.com)

## Brief explanation of features

### Freshness technologies

#### Bio Fresh Professional

BioFresh-Professional offers even more flexibility for individual food storage.

#### Hydro Breeze

Cooling like a pro: Cold mist and a temperature in the safe of around 0 °C ensure a longer storage time and create a fabulous visual effect.

#### Fish & Seafood

The Fish & Seafood Safe stores fish and seafood at the optimum temperature of -2 °C; as professionally as your fishmonger.

#### Bio Fresh

The reliable BioFresh technology stores groceries at a temperature just above 0 °C, much cooler than in the rest of the appliance.

#### Easy Fresh

The air-tight safe allows humidity to rise keeping food fresher for longer.

#### Duo Cooling

Two separately controlled refrigeration circuits. The temperatures within the refrigerator and freezer compartments can be controlled independently.

#### No Frost

Defrosting is never needed as the freezer automatically defrosts itself.

#### Smart Frost

Defrosting is required much less often.

#### Super Cool

SuperCool boosts the cooling power until the food recently placed inside reaches the temperature of the rest of the contents.

#### Super Frost

SuperFrost increases the cooling power for a short time – this means the temperature remains constant when you place in unfrozen food.

#### Vario Temp

The freezer section becomes an alternative additional cooling zone by setting an accurate temperature of between - 2 °C and + 14 °C.

### Wine

#### 1 Zone

With constant temperature throughout the interior, adjustable from +5 °C to +20 °C.

#### 2 Zones

With two temperature zones, independently and precisely adjustable from +5 °C to +20 °C.

#### Humidity Select

The humidity can be actively regulated in 5% increments between 50% and 80% rH.

#### Fresh Air

For a pure bouquet, an activated charcoal filter reliably binds odours of any kind.

#### UV Protect Plus

Triple protection: A tinted glass door with two layers of vacuum-deposited metal provides highly efficient protection from solar radiation.

#### UV Protect

Secure wine with top-tier UV protection: Tinted glass and double-layered metal shield against harmful solar radiation.

#### Vibrate Safe

Silent compressors and beech wood shelves virtually eliminate vibration, keeping wines safe and flavours intact.

#### Temp Protect Plus

Two sensors constantly measure the temperature in the wine cabinet. A notification is sent in the event of a critical change.\*

### Convenience and flexibility

#### Soft System

The door closes gently even when fully loaded inside. The door automatically closes from an angle of approximately 30°/45°.

#### Soft-Telescopic Rails

Fully extendible drawers run on telescopic rails and feature a convenient self-retraction mechanism with soft-closing.

#### Telescopic Rails

Drawers set on high-quality, smooth-running telescopic rails for reliable and secure opening and closing.

#### Touch & Swipe-Display

Intuitive control – simply by touching and swiping on the colour display.

\* SmartDevice/Smart app can also be used.



## Brief explanation of features

### Convenience and flexibility

#### Touch-Display

A Liebherr is really simple to use with a gentle tap of a finger on the clear touch display.

#### Vario Space

For extra high storage space: Simply take out the individual freezer drawers and the glass horizontal dividers below and make space for extra tall frozen items.

#### Tip Open

The glazed door opens 7 cm when tapped for convenient access and, if the door is not opened further within 3 seconds the soft-closing systems will shut it again.

#### Auto Door

Unique worldwide: AutoDoor allows easy and convenient opening and closing of the door via voice command, knocking signal and smartphone - or simply by hand.

#### Ultra Silent

You've probably never heard this Liebherr—simply because it's so quiet.

#### Super Silent

Shhh – listen carefully. Your Liebherr is so quiet that you have to strain your ears to hear it.

#### Tip Open

The glass door opens by 7 cm when tapped for easy access and full opening.

#### Presentation Board

Shows off exquisite wines and presents bottles that have been opened.

#### Side by Side

With the Side-by-Side concept, fridges, freezers and wine fridges can be individually combined according to personal requirements.

### Design

#### Open Stage

Transparent drawers present the complete fridge contents with maximum clarity and in an ergonomic manner.

#### Glass & Steel Interior

The interior features elegant glass and stainless steel elements.

#### Light Tower

The new LightTower concept evenly illuminates the interior while supporting the glass shelves. Flexible, space-saving, unique.

### Design

#### Light Column

LED light column from top to bottom evenly illuminates the interior. One-sided or double-sided depending on the series.

#### LED

Minimal heat generation, energy-saving and maintenance-free for optimum lighting.

#### Steel Interior

Not just an attractive design element, the SmartSteel stainless steel rear wall panel ensures balanced air circulation.

### Water and Ice

#### Infinity Spring

Ice-cold water on tap with no heavy lifting of bottles and is better for our environment.

#### Ice Tower

Perfect for Parties: You will never run out of cold drinks. The 8 kg supply of ice cubes makes sure of that.

#### Ice Maker

Automatic IceMaker with fixed water connection.

#### Ice Maker Water tank

If no fixed water connection is available, there is an IceMaker with a water tank in the fridge compartment.

### Connectivity

#### Smart Device

The integrated SmartDeviceBox enables you to control the appliance and make use of additional services via computers and mobile devices.

#### Smart Device ready

The SmartDeviceBox can be retro-fitted so that you can control the appliance and use additional services via computers and mobile devices. Available as an accessory.

### Special product groups

#### Outdoor

This Liebherr is ideal for use outdoors thanks to its rust- and weatherproof materials, robust construction and high-quality components.



Hydro  
Breeze

[home.liebherr.com](http://home.liebherr.com)

Subject to technical changes, errors and different images and text.  
Deviations in colour are due to printing processes. Products and their  
details are staged for advertising purposes.  
For the latest available data go to [www.liebherr.com](http://www.liebherr.com).  
Printed in UK 02.2025 / EN

Fully integrated appliances 2025 – Refrigeration and freezing

**LIEBHERR**