

# SGNPbs 4365

Freestanding freezer with NoFrost  
Premium



# LIEBHERR

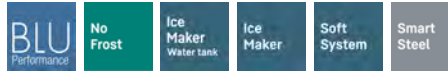
Freestanding

**LIEBHERR**

# SGNPbs 4365

Freestanding freezer with NoFrost  
Premium

**G** Made  
in Germany



← 60 →

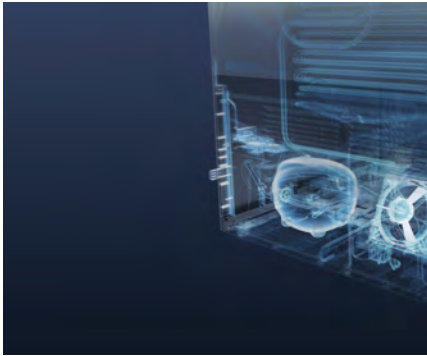


Energy consump. in 365 days/24 h	211 / 0.578 kWh <sup>1</sup>
Climate rating	SN-T (+10 °C to +43 °C)
Frequency / voltage	50/60 Hz / 220-240 V~
Connection Rating	1.3 A 248 W
Door / Side walls	BlackSteel / BlackSteel
Exterior dimensions in cm (h / w / d)	185 / 60 / 66.5 <sup>1</sup>
<b>Controls</b>	
Type of Control	2.4" TFT-colour display behind-the-door, touch electronic
Interface	SmartDeviceBox: optional accessory
Door alarm	visual and acoustic
Alarm in case of malfunction	visual and acoustic
<b>Freezer compartment</b>	
Star coding	****
Interior light	LED lighting
Number of drawers	9 drawers, of which 5 set on telescopic rails, of which 1 set on roller tracks, VarioSpace
IceMaker	with fixed 3/4" water connection
Ice cube capacity in 24 hours	0.8 kg
Ice cube stock	0.8 kg
Freezing capacity in 24 hours	9 kg
Temperature rise time	18 h
VarioSpace	yes
Cold storage accumulators	2
<b>Features</b>	
Side-by-Side concept	Side wall heating right, suitable for combination with other refrigerators, freezers and/or wine appliances
Door hinges	Reversible door hinge, left
EAN-Nr.	4016803070290

<sup>1</sup> To achieve the indicated energy consumption level, the wall spacers provided with the appliance must be used. These increase the appliance depth by approximately 1.5 cm. If the wall spacers are not used, the appliance will remain fully functional, but will have a slightly higher energy consumption level.

## Features

---



### BluPerformance

Offering even more interior capacity for food storage, economy and energy efficiency, quiet operation, ease-of-use and exceptional design: Liebherr's BluPerformance appliances set both a new direction in refrigeration and freezing, and new benchmarks.



### NoFrost

The NoFrost system from Liebherr provides rapid, fan-assisted, frost-free freezing for the safe, long-term storage of food. The NoFrost technology creates a much larger storage capacity and keeps the freezer constantly frost-free.



### IceMaker with water tank

The IceMaker with water tank is an innovative solution if the piped water is of inadequate quality or is unavailable. The tank is removable for conveniently replenishing the water.



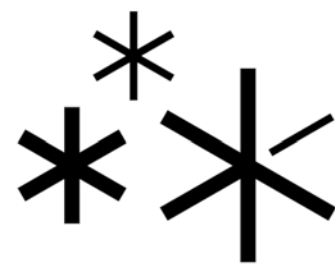
### IceMaker with fixed water connection

The plumbed-in IceMaker automatically keeps you topped up with the finest quality ice cubes so that you are prepared for every occasion.



### VarioSpace

Freezer drawers and toughened glass shelves can be removed. VarioSpace – the practical storage solution for larger items.

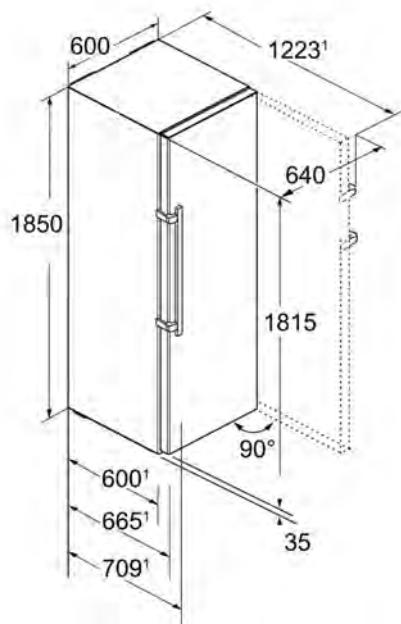


### SuperFrost

SuperFrost generates greater cold reserves so that freshly stored food can be frozen rapidly, in a vitamin-preserving manner. Reversion from the freezing temperature of  $-32\text{ }^{\circ}\text{C}$  to the normal freezer temperature is time or quantity-controlled to help save energy.

# Technical drawing

---



---

Products and their details are staged for advertising purposes. Whilst every effort is made to ensure all specifications and information in this flyer are accurate, Liebherr reserves the right to make changes without notification. Where actual appliance measurements, specifications, and ratings are crucial, we recommend that the actual appliance installation instructions that accompany each appliance be checked. Liebherr will not be liable for any damage. (01.12.2022)

