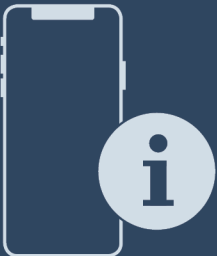
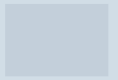


User Guide

Quality, Design and Innovation



home.liebherr.com/fridge-manuals





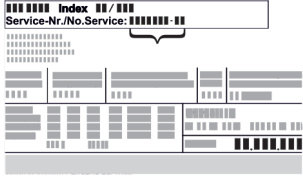




LIEBHERR

Contents

1	Appliance at a glance.....	3
1.1	Scope of supply.....	3
1.2	Overview of appliance and equipment.....	3
1.3	Special features.....	3
1.4	Range of use of appliance.....	3
1.5	Appliance noise emissions.....	4
1.6	Compliance.....	4
1.7	SVHC substances according to REACH regulation.....	4
1.8	EPREL database.....	4
2	General safety instructions.....	4
3	Functionality of the Touch display.....	6
3.1	Navigation and symbol explanation.....	6
3.2	Menus.....	6
3.3	Sleep mode.....	7
4	Putting into operation.....	7
4.1	Installation conditions.....	7
4.2	Appliance dimensions.....	8
4.3	Transporting appliance.....	8
4.4	Unpacking appliance.....	8
4.5	Removing transport lock.....	8
4.6	Installing appliance.....	8
4.7	Setting up the appliance so it is level.....	9
4.8	Installing multiple appliances.....	9
4.9	After installation.....	9
4.10	Disposing of packaging.....	9
4.11	Reversing the door opening direction.....	9
4.12	Aligning the door.....	17
4.13	Connecting appliance.....	17
4.14	Switching on appliance (first use).....	17
5	Storage.....	18
5.1	Information regarding storage.....	18
5.2	Storage times.....	18
6	Controls.....	18
6.1	Control and display elements.....	18
6.1.1	Status display.....	18
6.1.2	Display symbols.....	18
6.1.3	Acoustic signals.....	19
6.2	Appliance functions.....	19
6.2.1	Notes on the appliance functions.....	19
6.2.2	Switching appliance on and off.....	19
6.2.3	Temperature.....	19
6.2.4	Eco mode.....	20
6.2.5	Lighting.....	21
6.2.6	Lighting intensity *.....	22
6.2.7	Door lock.....	22
6.2.8	Display lock.....	23
6.2.9	Access code.....	24
6.2.10	Remote control.....	24
6.2.11	Language.....	25
6.2.12	Temperature unit.....	25
6.2.13	Display brightness.....	25
6.2.14	Alarm Sound.....	26
6.2.15	WiFi connection.....	26
6.2.16	LAN connection.....	27
6.2.17	Device information.....	28
6.2.18	Operating hours.....	28
6.2.19	Software.....	29
6.2.20	Door alarm.....	29
6.2.21	Light alarm.....	29
6.2.22	Demo mode.....	29
6.2.23	Resetting to factory settings.....	30
6.3	Messages.....	30
6.3.1	Warnings.....	30
7	Features.....	32
7.1	Safety lock.....	32
7.2	Remote control.....	33
8	Maintenance.....	33

8.1	Defrosting appliance.....	33
8.2	Cleaning the appliance.....	33
8.3	Replacing the remote control batteries.....	34
9	Customer help.....	34
9.1	Technical specifications.....	34
9.2	Technical fault.....	35
9.3	Customer Service.....	35
9.4	Type plate.....	36
10	Shutting down.....	36
11	Disposal.....	36
11.1	Preparing appliance for disposal.....	36
11.2	Disposing of the appliance in an environmentally friendly manner.....	36
12	Additional information.....	37

The manufacturer is continually working on the further development of all types and models. Please be aware that we reserve the right to make changes to the shape, equipment and technology.

Symbol	Explanation
	Read instructions Please read the information in these instructions carefully to understand all of the benefits of your new appliance.
	Full instructions on the internet You can find detailed instructions on the internet using the QR code on the front of these instruction or by entering the service number at home.liebherr.com/fridge-manuals . The service number can be found on the serial tag:  <i>Fig. Example illustration</i>
	Check appliance Check all parts for transport damage. If you have any complaints, please contact your agent or customer service.
	Differences These instructions apply to a range of models, so differences are possible. Sections that apply to certain models only are marked with an asterisk (*).
	Instructions and results Instructions are marked with a ▶. Results are marked with a ▷.
	Videos Videos about the appliances are available on the YouTube channels of Liebherr-Hausgeräte.

These operating instructions apply to:

- MRFvg 3501
- MRFvg 3511
- MRFvg 4001
- MRFvg 4011

1 Appliance at a glance

1.1 Scope of supply

Check all parts for transport damage. If you have any complaints, please contact your dealer or Customer Service. (see 9.3 Customer Service)

The delivery comprises the following parts:

- Free-standing appliance
- Equipment *
- Installation materials *
- Operating instructions
- Service brochure
- Quality certificate *
- Mains cable
- Remote control
- Emergency unlocking key

1.2 Overview of appliance and equipment

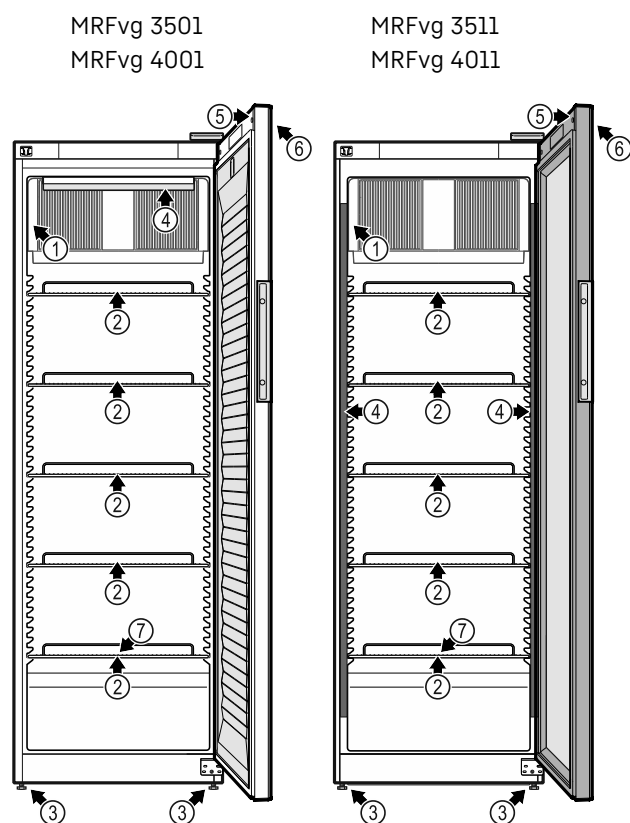


Fig. 1 Example illustration

Equipment

- | | |
|-------------------------|--|
| (1) Type plate | (5) Lock |
| (2) Grid shelves | (6) Control elements and temperature display |
| (3) Adjusting feet | (7) Defrost water drain |
| (4) Interior lighting * | |

1.3 Special features

Note

Accessories are available from Customer Service (see 9.3 Customer Service) and the Liebherr-Hausgeräte store at home.liebherr.com/shop/de/deu/zubehor.html.

SmartModule
The appliance can be fitted with a SmartModule. This is a WiFi and LAN interface for the connection between the appliance and an external documentation and alarm system such as Liebherr SmartMonitoring. Liebherr SmartMonitoring Dashboard is not available in all countries. Check availability via the QR code (see 6.2.15 WiFi connection) by entering your model.

Digital input for electronic lock
The appliance can be retrofitted with a digital input for the electronic lock. This is an interface between the appliance and an external system which can be used to control the electronic lock.

1.4 Range of use of appliance

Intended use

This fridge is appropriate for professional use in the commercial environment and in retail. It may be used for the storage, presentation and sale of chilled packaged foodstuffs and beverages. It is appropriate for the removal of chilled goods by customers.

The appliance is designed for use in indoor spaces.

All other types of use are not permitted.

Foreseeable incorrect use

The following uses are expressly forbidden:

- Storage and refrigeration of:
 - Chemically unstable flammable or corrosive substances
 - Medicines, blood plasma, laboratory preparations or similar substances and products based on the Medical Device Directive 2007/47/EC
- Use in potentially explosive atmospheres
- Use outdoors or in areas exposed to dampness and splashing water

Improper use of the appliance will result in goods stored being damaged or spoiled.

Climate classes

The applicable climate class for your appliance is printed on the type plate.

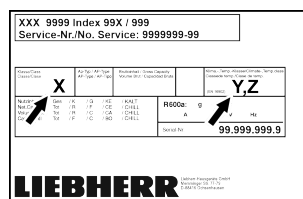


Fig. 2 Type plate

- | | |
|--|--|
| (X) The climate class states the ambient conditions in which the appliance can be operated safely. | (Z) The temperature class indicates the temperature setting at which the appliance will function smoothly. |
|--|--|

General safety instructions

(Y) The climate class defines the maximum parameters within which the appliance will function smoothly.

Climate class (X)	Max. room temperature	Max. rel. humidity
3	+25 °C	60 %
4	+30 °C	55 %
5	+40 °C	40 %
7	+35 °C	75 %

Note

The minimum permitted room temperature at the setup location is +10 °C.

At limit conditions, slight condensation may form on the glass door and on the side walls.

Climate class (Y)	Max. room temperature	Max. rel. humidity
CC1	+25.5 °C	60 %
CC2	+32.2 °C	65 %
CC3	+40.6 °C	75 %

Recommended temperature setting:	
Temperature class (Z)	Temperature setting
K1	+3.5 °C
K2	+2.5 °C
K3	-1 °C
K4	+5 °C
M1	+5 °C
M2	+7 °C

1.5 Appliance noise emissions

The A-weighted emission sound pressure level during operation of the appliance is under 70 dB(A) (sound power rel. 1 pW).

1.6 Compliance

The coolant circuit has been tested for leak-tightness.

This appliance complies with the applicable safety regulations and with EU directives 2006/42/EC, 2014/30/EU, 2009/125/EC and 2011/65/EU.

The full text of the EU Declaration of Conformity is available on the following website: www.liebherr.com

1.7 SVHC substances according to REACH regulation

You can check whether your appliance contains SVHC substances according to REACH regulation at the following link: home.liebherr.com/de/deu/de/liebherr-erleben/nachhaltigkeit/umwelt/scip/scip.html

1.8 EPREL database

Details about the labelling of energy consumption and ecodesign requirements will be available on the European Product Database (EPREL) from 1 March 2021. You can access the product database at the following link: <https://eprel.ec.europa.eu/>. You will be asked to enter the model identification. The model identification can be found on the type plate.

2 General safety instructions

Please keep these operating instructions in a safe place so you can refer back to them at any time.

If you pass the appliance on, please hand these operating instructions to the next user.

Read these operating instructions carefully before use to ensure safe and correct use of the appliance. Follow the instructions, safety instructions and warning messages included at all times. They are important for ensuring you can operate and install the appliance safely and without any problems.

Danger for the user:

- This device can be used by children aged 8 and above and people with impaired physical, sensory or mental abilities or with a lack of experience and knowledge provided that they are supervised or have received instruction in the safe use of this appliance, and about the resulting hazards. Children must not play with this appliance. Cleaning and user maintenance work must not be carried out by children without adult supervision.
- The socket must be easily accessible so that the appliance can be disconnected quickly from the electricity supply in an emergency. It must not be located in the area behind the appliance.
- When disconnecting the appliance from the supply, always take hold of the plug. Do not pull the cable.
- In the event of a fault pull out the mains plug or deactivate the fuse.
- **WARNING:** Do not damage the mains power cable. Do not operate the appliance with a defective mains power cable.
- **WARNING:** Multiple sockets/distributors and other electronic equipment (such as halogen transformers) must not be placed or operated at the rear of the appliance.
- **WARNING:** Keep ventilation openings, in the appliance enclosure or in the built-in structure, clear of obstruction.

- Only customer service or other specially trained staff may repair or perform other operations on the appliance.
- Only assemble, connect and dispose of the appliance according to the instructions.

Fire hazard

- The coolant used (information on the model plate) is ecofriendly but also flammable. Any leaking coolant may ignite.
 - **WARNING:** Do not damage refrigeration circuit.
 - Do not handle ignition sources inside the appliance.
 - **WARNING:** Do not use electrical appliances in the fridge compartment which do not comply with the design recommended by the manufacturer.
 - If the refrigerant leaks: remove any naked flames or ignition sources from the vicinity of the leakage point. Properly air the room. Inform customer services.
- Do not operate the appliance close to explosive gases.
- Do not store or use petrol or other flammable gases and liquids close to the appliance.
- Do not store any explosive substances, such as aerosol containers with flammable propellant gas, in the appliance. To identify these spray cans, look for the list of contents printed on the can, or a flame symbol. Gases possibly escaping may ignite due to electrical components.
- Keep burning candles, lamps and other items with naked flames away from the appliance so that they do not set the appliance on fire.
- Please be sure to store alcoholic drinks or other packaging containing alcohol in tightly closed containers. Any alcohol that leaks out may be ignited by electrical components.

Danger of tipping and falling:

- Do not misuse the plinth, drawers, doors etc. as a step or for support.

Danger of frostbite, numbness and pain:

- Avoid prolonged skin contact with cold surfaces or refrigerated/frozen goods or take protective measures, e.g. wear gloves.

Danger of injury and damage:

- **WARNING:** Do not use mechanical equipment or other methods to speed up the defrosting process other than those recommended by the manufacturer.

- **WARNING:** Risk of injury due to electric shock! There are live electrical parts under the cover.

Only have the LED interior lighting replaced or repaired by customer service or other suitably trained professionals.

- **NOTICE:** Appliance must only be used using original manufacturer accessories or using accessories from other providers approved by the manufacturer. The user bears the risk of using accessories which are not approved.

Risk of crushing

- Do not hold the hinge when opening and closing the door. Fingers may get caught.

Specialist personnel qualifications:

Specialist personnel are persons who, on account of their specialist training, knowledge and experience as well as their knowledge of the relevant standards, are able to assess and perform the work assigned to them and identify potential hazards. They must have training, instruction, and authorisation to work on the appliance.

Symbols on the appliance:



This symbol may be located on the compressor. It relates to the oil in the compressor and makes reference to the risk that: **Swallowing or inhaling can be fatal.** This advice is only relevant to recycling. There is no danger in normal operation.






WARNING: Danger of fire / flammable materials. This symbol is located on the compressor and indicates the danger of flammable materials. Do not remove the sticker.



This or a similar sticker may be located on the rear of the appliance. This sticker indicates that there are vacuum insulation panels (VIP) or perlite panels in the door and/or housing. This advice is only relevant to recycling. Do not remove the sticker.

Please note the warning messages and other specific advice in the other chapters:

	DANGER	Indicates an immediately hazardous situation which will lead to death or serious injuries if it is not avoided.
	WARNING	Indicates a hazardous situation which will lead to death or serious injuries if it is not avoided.
	CAUTION	Indicates a hazardous situation which will lead to minor or moderate injuries if it is not avoided.

Functionality of the Touch display




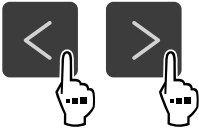



NOTICE	Indicates a hazardous situation which may lead to damage to property if it is not avoided.
Note	Indicates useful instructions and tips.



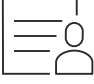
3 Functionality of the Touch display

You operate your appliance using the Touch display. You select appliance functions in the Touch display (hereafter referred to as display) by tapping them. If you do not perform any action on the display for 10 seconds, the display either jumps back to the higher-level menu or directly to the status display.

3.1 Navigation and symbol explanation

In the illustrations, different symbols are used to navigate the display. The following table describes these symbols.



Symbol	Description
	Press the Next navigation arrow: Navigates to the next option in the menu.
	Press the Back navigation arrow: Jumps back one option in the menu.
	Press and hold the Back navigation arrow for 3 seconds: Jumps back to the status display in the main menu or from the Settings menu.
	Press the navigation arrow several times in succession: Navigates in the menu to the desired function.
	Press the Confirm symbol: Activates/deactivates function. Opens submenu.
	Press the Confirm symbol together with the back icon: Jumps back one menu level.
	Arrow with clock: It takes more than 10 seconds for the following message to appear in the display.

Symbol	Description
	Arrow with a time indication: It takes the specified amount of time until the following message appears in the display.
	“Open Settings menu” symbol: Navigates to the Settings menu and opens the settings menu. If necessary: Navigate to the desired function in the Settings menu. (see 3.2.1 Opening the Settings menu)
	“Open Advanced menu” symbol: Navigates to the Advanced menu and opens the advanced menu. If necessary: Navigate to the desired function in the Advanced menu. (see 3.2.2 Opening the Advanced menu)
No action for 10 seconds	If you do not perform any action on the display for 10 seconds, the display either jumps back to the higher-level menu or directly to the status display.
Opening door and closing it again	If you open the door and immediately close it again, the display jumps directly back to the status display.

Note: Illustrations of the display are shown in the English version.

3.2 Menus

The appliance functions can be found in various menus.

Menu	Description
Main menu	When you switch the appliance on, you are automatically in the main menu. From here you can navigate to the most important appliance functions, to the Settings menu and to the Advanced menu.
 Settings menu	The Settings menu contains additional appliance functions for setting up your appliance. (see 3.2.1 Opening the Settings menu)
 Advanced menu	The advanced menu contains special appliance functions for setting up your appliance. Access to the Advanced menu is protected by the numerical code 151 . (see 3.2.2 Opening the Advanced menu)

3.2.1 Opening the Settings menu

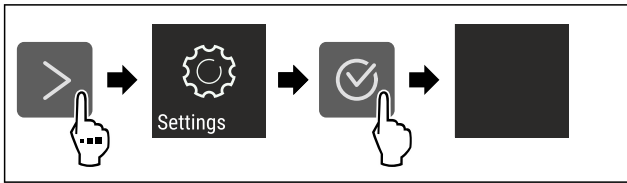


Fig. 3 Example illustration

- ▶ Carry out action steps according to the illustration.
- ▷ Settings menu is open.
- ▶ If necessary: Navigate to the desired function.

3.2.2 Opening the Advanced menu

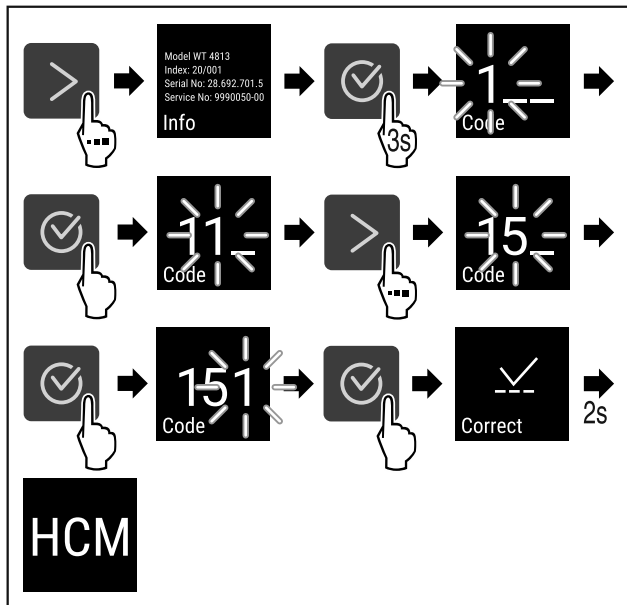


Fig. 4 Access with numerical code 151

- ▶ Carry out action steps according to the illustration.
- ▷ The expanded menu is open.
- ▶ If necessary: Navigate to the desired function.

3.3 Sleep mode

If you do not touch the display for 1 minute, the display switches to sleep mode. In sleep mode, the display brightness is dimmed.

3.3.1 Ending sleep mode

- ▶ Press any navigation key.
- ▷ Sleep mode is ended.

4 Putting into operation

4.1 Installation conditions



WARNING

Fire hazard due to dampness!
If live parts or the mains lead become damp this may cause short circuits.

- ▶ The appliance is designed for use in enclosed areas. Do not operate the appliance outdoors or in areas where it is exposed to splash water or damp conditions.

4.1.1 Installation location



WARNING

Leaking coolant and oil!

Fire. The coolant contained in the appliance is eco-friendly, but also flammable. The oil contained in the appliance is flammable. Escaping coolant and oil can ignite if the concentration is high enough and in contact with an external heat source.

- ▶ Do not damage the pipelines of the coolant circuit and the compressor.

- Do not install appliance in direct sunlight, next to an oven, radiator or similar.
- The best place for installation is a dry and well ventilated room.
- If the appliance is installed in a very humid environment, condensation can form on the outside of the appliance. Always ensure good airflow and ventilation in the installation location.
- The more refrigerant there is in the appliance, the larger the space it is installed in must be. If the space is too small, any leak may create a flammable mixture of gas and air. For every 8 g of refrigerant, the installation space must be at least 1 m³. Information regarding the refrigerant can be found on the type plate inside the appliance.
- The floor of the location must be horizontal and even.
- The installation location must be able to withstand the weight of the appliance plus weight when stocked to maximum level. (see 9.1 Technical specifications)
- Use in hazardous areas is not permitted.

4.1.2 Electrical connection



WARNING

Danger of fire due to incorrect positioning!

If the mains cable or plug touches the back of the appliance, the vibration can damage the mains cable or the plug resulting in a short circuit.

- ▶ Make sure the mains cable is not trapped under the appliance when you position the appliance.
- ▶ Stand the appliance so that it is not touched by connectors or main cables.
- ▶ Do not connect any appliances to sockets in the area of the back of the appliance.
- ▶ Do **not** place and operate multi-sockets/power distributors and other electronic devices (such as halogen transformers) at the back of the appliances.

Putting into operation

4.2 Appliance dimensions

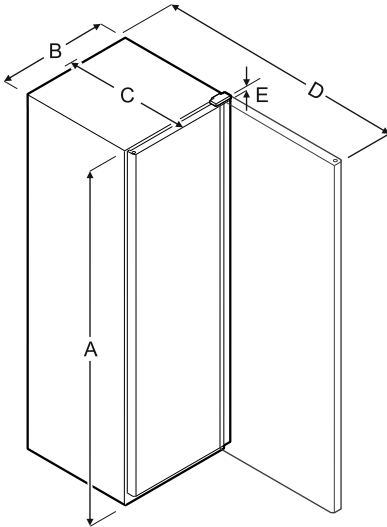


Fig. 5

Model	A	B	C	D	E
MRFvg 3501/3511	1684 mm	597 mm	654 mm	1203 mm	23 mm
MRFvg 4001/4011	1884 mm	597 mm	654 mm	1203 mm	23 mm

A = appliance height *B* = appliance width without handle
C = appliance depth without handle *D* = appliance depth with door open *E* = hinge height

4.3 Transporting appliance



WARNING

Risk of injury due to broken glass!*

When transporting at an altitude of more than 1500 m, the glass panes of the door may break. This can result in sharp-edged fragments, which can cause serious injuries.

- ▶ Take appropriate protective action.



WARNING

Risk of injury and damage due to the appliance tipping over!

▶ Pay attention to uneven floors and ramps when transporting appliances.

Note when transporting the appliance:

- ▶ Transport the appliance upright.
- ▶ Use two people to transport the appliance.

During first use:

- ▶ Transport the appliance packaged.

When transporting appliances after initial commissioning (e. g. moving or cleaning):

- ▶ Empty the appliance.
- ▶ Secure the door against unintentional opening.

4.4 Unpacking appliance

- ▶ Check the appliance and the packaging for damage during transport. Contact the supplier immediately if you suspect any damage. Do not connect appliance to the power supply.
- ▶ Remove all packaging materials from the rear or the side walls of the fridge that may prevent proper installation or prevent air flow and ventilation.

4.5 Removing transport lock

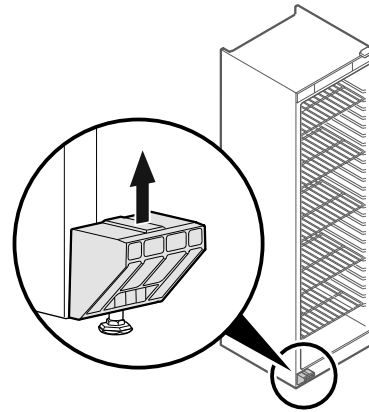


Fig. 6

- ▶ Remove transport lock in upwards direction.
- ▷ Base holder remains on the appliance.

4.6 Installing appliance



CAUTION

Risk of injury and damage.

- ▶ Use 2 people to install appliance.



CAUTION

Risk of injury and damage.

The door can knock against the wall and become damaged as a result. In the case of glass doors, the damaged glass can cause injuries.

- ▶ Protect the door from knocking against the wall. Attach door stopper, e.g. felt stopper, to the wall.

- ▶ Connect all necessary components (e.g. mains cable) to the back of the appliance and route to the side.

Note

Cables can be damaged.

- ▶ Do not jam the cable when pushing the appliance back.

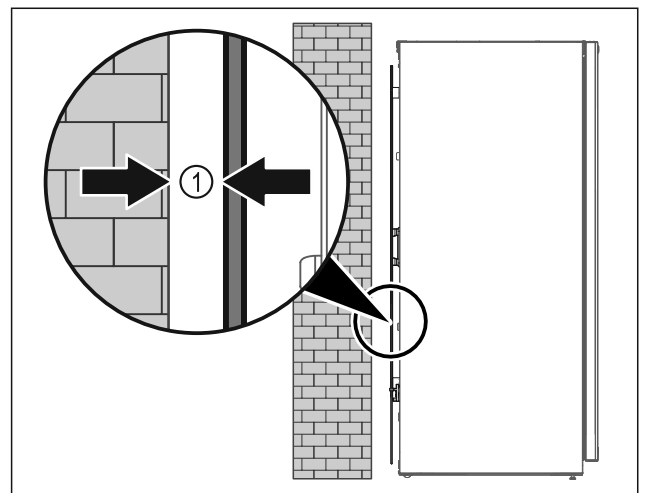


Fig. 7

- ▶ Set up the appliance either free-standing or directly against a wall at a minimum distance of 5 mm Fig. 7 (1).

4.7 Setting up the appliance so it is level

NOTICE

Appliance body is deformed and door does not close.

- ▶ Align appliance horizontally and vertically.
- ▶ Compensate for uneven floors using adjustable feet.



WARNING

Incorrect height adjustment of the adjustable foot!
Can cause severe or even fatal injury. Incorrect height adjustment can cause the bottom part of the adjustable foot to come loose and the appliance to tip over.

- ▶ Do not unscrew the adjustable foot too far.

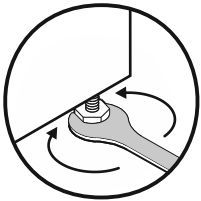


Fig. 8

Raising appliance:

- ▶ Turn adjustable foot clockwise.

Lowering appliance:

- ▶ Turn adjustable foot anticlockwise.

4.8 Installing multiple appliances

NOTICE

Risk of damage due to condensation between the side walls.

- ▶ Do not install the appliance directly next to another fridge.
- ▶ Install appliances with a space 3 cm between appliances.
- ▶ Only install multiple appliances of up to climate class CC2 temperatures (32.2 °C, 65% humidity) next to one another.
- ▶ At higher levels of humidity, increase space between appliances.

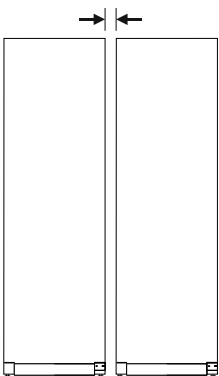


Fig. 9 Side-by-side installation

Note

A side-by-side kit is available as an accessory via Liebherr Customer Service. (see 9.3 Customer Service)

4.9 After installation

- ▶ Peel off the protective films. *
- ▶ Clean appliance. (see 8.2 Cleaning the appliance)
- ▶ If necessary: Disinfect the appliance.

- ▶ Keep the invoice so you have the appliance and dealer information available if needed.

4.10 Disposing of packaging



WARNING

Danger of suffocation due to packing material and plastic film!

- ▶ Do not allow children to play with packing material.

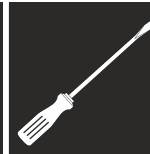
The packaging is made of recyclable materials:

- corrugated board/cardboard
- expanded polystyrene parts
- polythene bags and sheets
- polypropylene straps
- nailed wooden frame with polyethylene panel*

- ▶ Take the packaging material to an official collecting point.

4.11 Reversing the door opening direction

Tools



WARNING

Risk of injury if the door is not reversed correctly!

- ▶ The door may only be reversed by qualified personnel.



WARNING

Risk of injury and material damage due to heavy door!

- ▶ Only perform the conversion if you can carry a weight of 25 kg.
- ▶ Always have someone help you carry out the conversion.

NOTICE

Live parts!

Damage to electrical components.

- ▶ Disconnect the power plug before reversing the door.

- ▶ Open the door.

Putting into operation

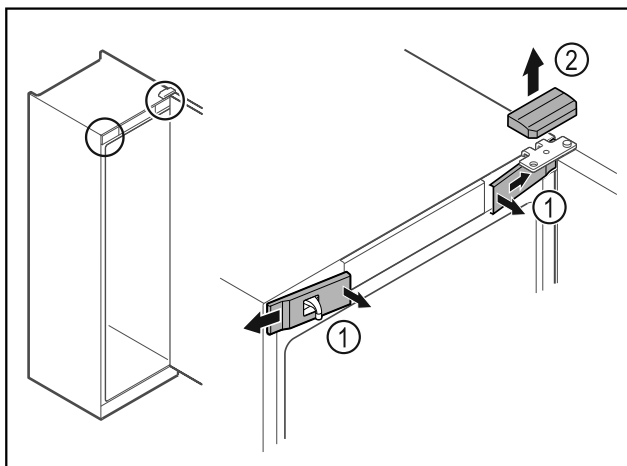


Fig. 10

- ▶ Unlatch the front covers Fig. 10 (1) on the inside and remove them sideways.
- ▶ Lift off the upper cover Fig. 10 (2).

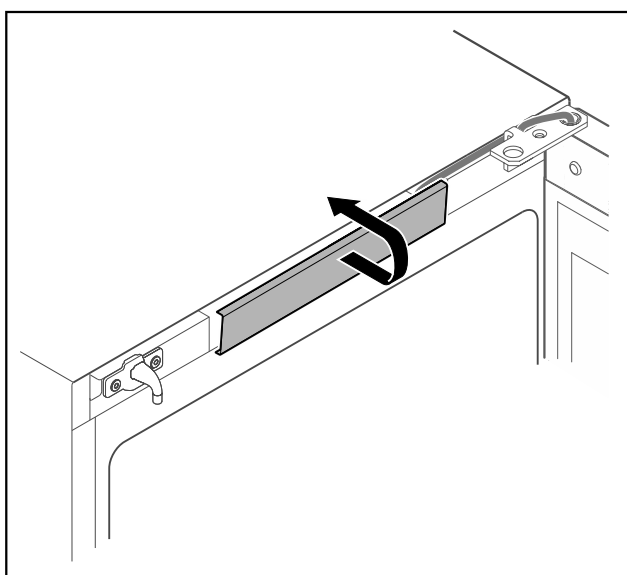


Fig. 11

- ▶ Unlatch the middle cover and remove it.

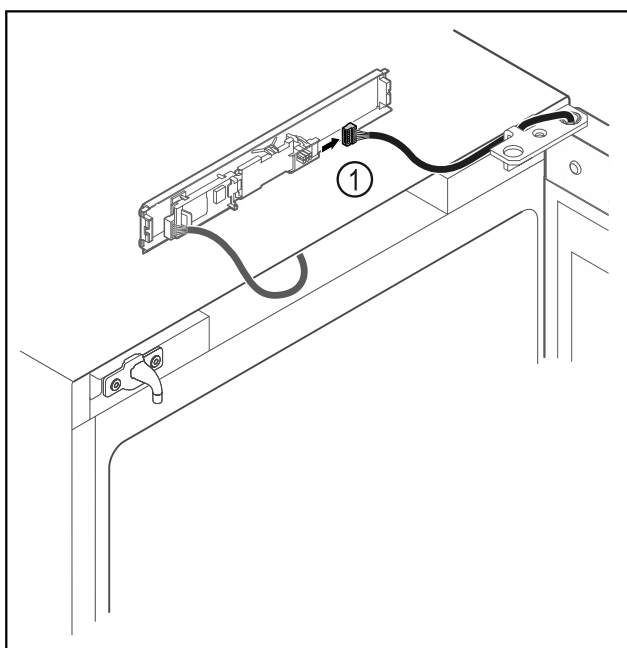


Fig. 12

- ▶ Disconnect the plug Fig. 12 (1) from the circuit board.

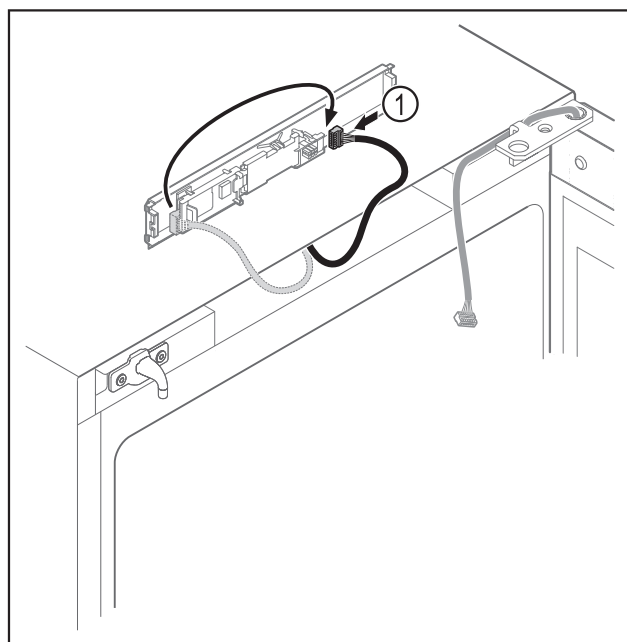


Fig. 13

- ▶ Connect the plug Fig. 13 (1) to the circuit board.

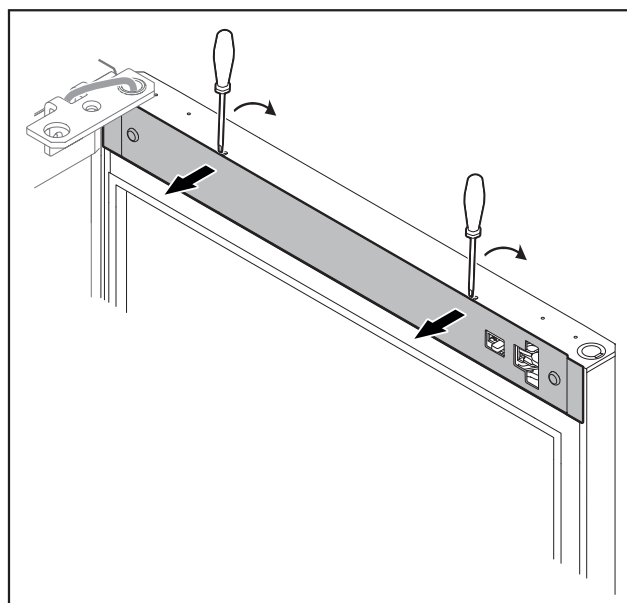


Fig. 14

- ▶ Unlatch the cover with a small screwdriver and take it off.

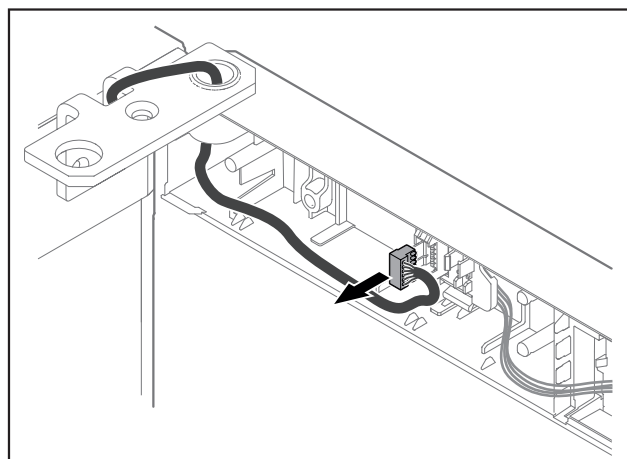


Fig. 15

- ▶ Remove the plug from the plug holder.

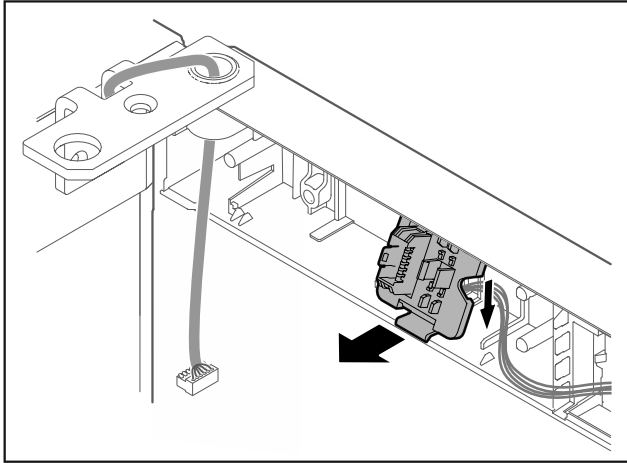


Fig. 16 The installation position of the plug holder can be rotated by 180°.

- ▶ Disengage the plug holder.

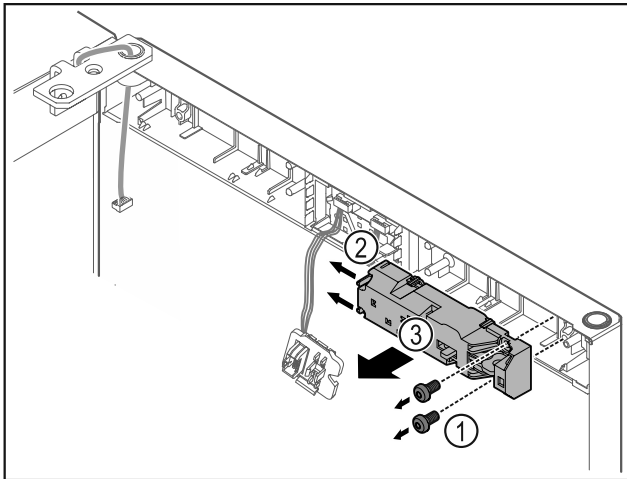


Fig. 17

- ▶ Remove the screws Fig. 17 (1).
- ▶ Press the latching lugs Fig. 17 (2) to the side and take off the remote lock Fig. 17 (3).

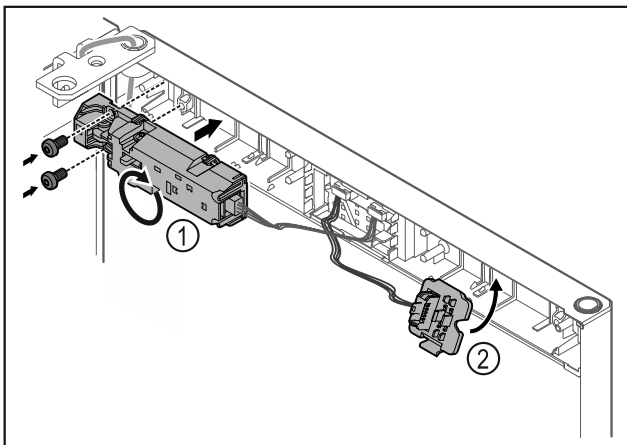


Fig. 18

- ▶ Turn the remote lock Fig. 18 (1) by 180° and fasten it on the opposite side.
- ▶ Snap in the plug holder Fig. 18 (2) on the opposite side.

NOTICE

- Risk of injury if the door tips out!
- ▶ Hold the door.

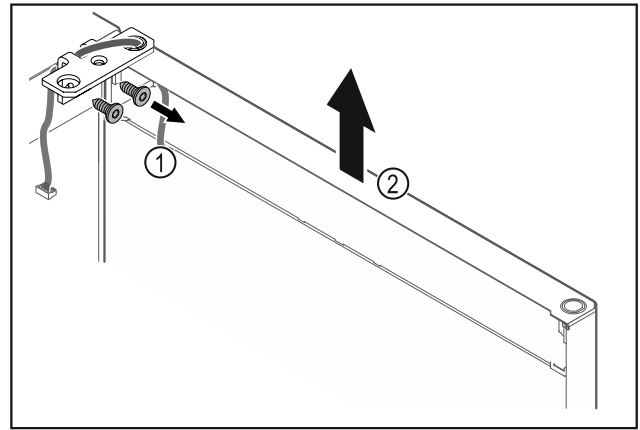


Fig. 19

- ▶ Unscrew the hinge Fig. 19 (1).
- ▶ Lift the door with the hinge straight up by Fig. 19 (2) roughly 200 mm and take it off.
- ▶ Carefully place the door on a soft surface.

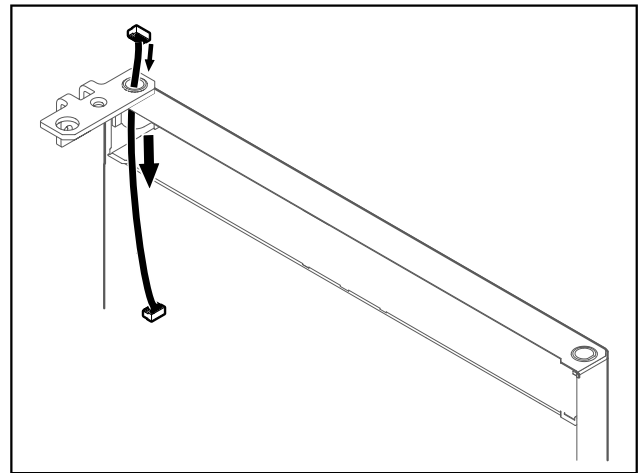


Fig. 20

- ▶ Carefully pull out the cable.

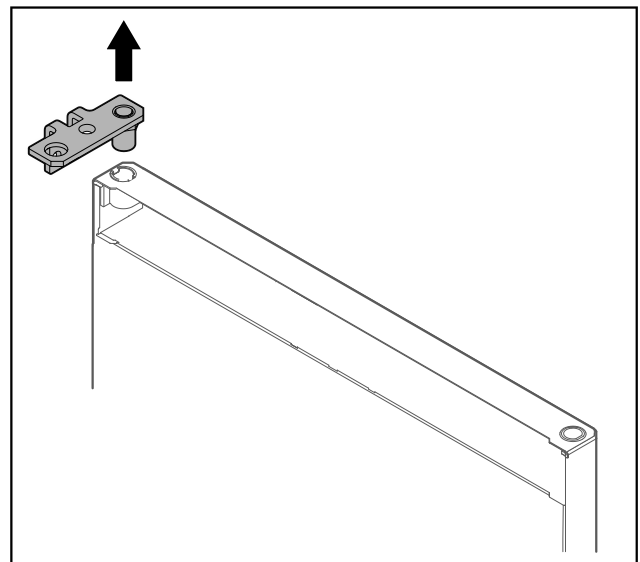


Fig. 21

- ▶ Pull out the hinge.

Putting into operation

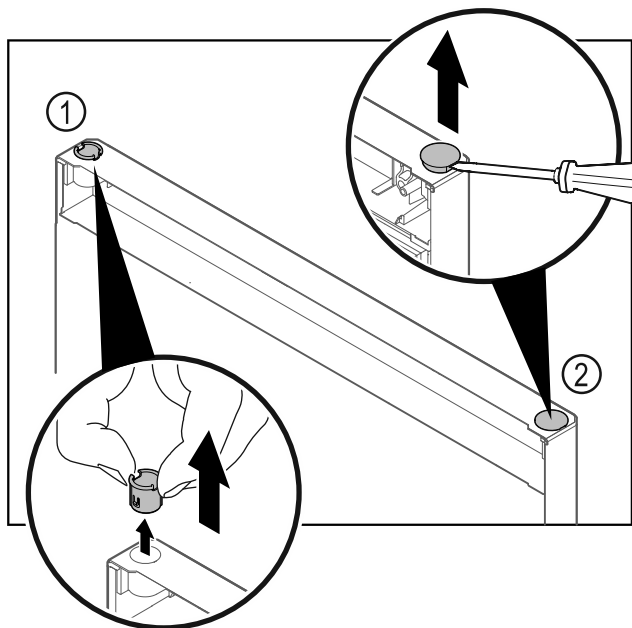


Fig. 22

- ▶ Pull out the hinge bushing Fig. 22 (1) with your fingers.
- ▶ Carefully lift the cover plug Fig. 22 (2) with a slotted screwdriver and pull it out.

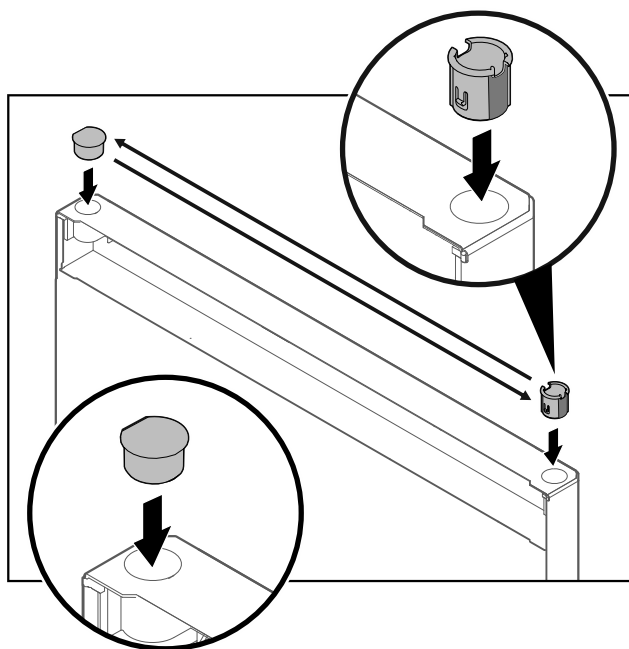


Fig. 23

- ▶ Insert hinge bushing and cover plug on the opposite side (the flattened sides face outwards).

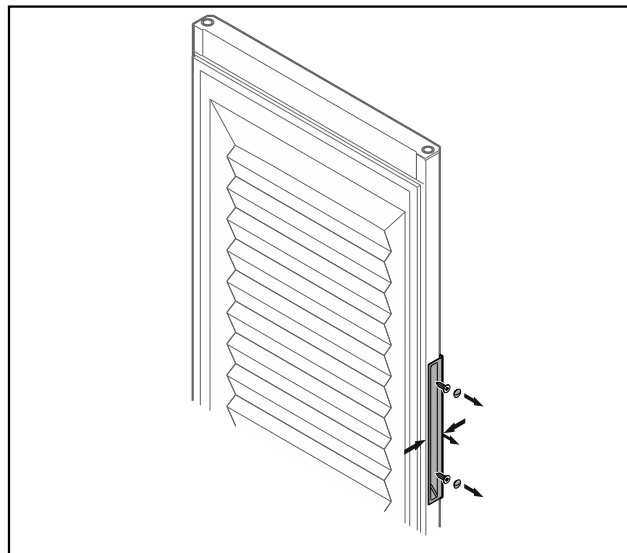


Fig. 24 Insulated door*

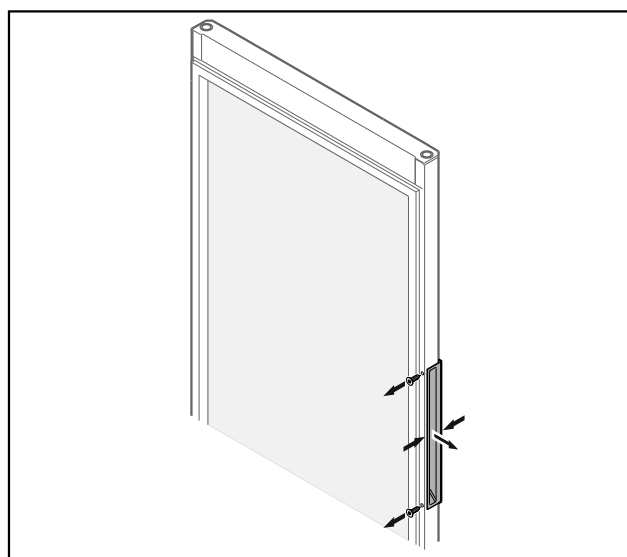


Fig. 25 Glass door*

Note

- ▶ If the handle is difficult to detach from the door, slightly push the handle together when removing it.
- ▶ Unscrew the handle.

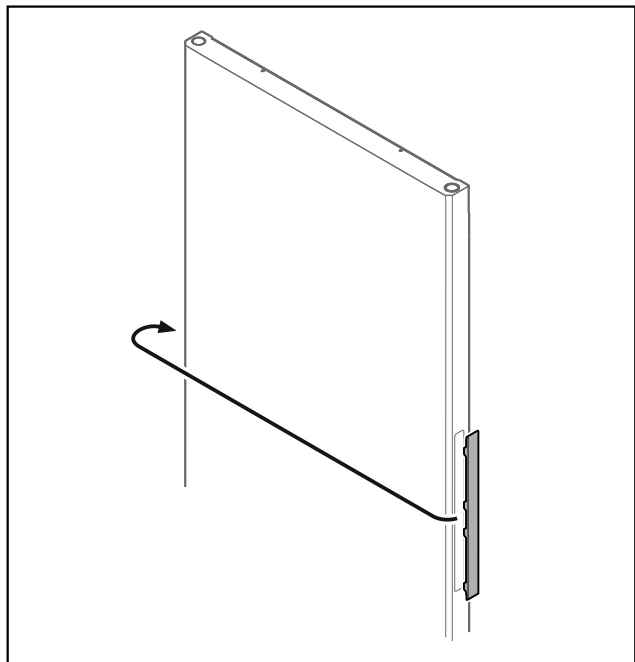


Fig. 26

Note

► If the cover is difficult to detach, carefully lever it out using a tool such as a screwdriver.

► Put the cover on the opposite side.

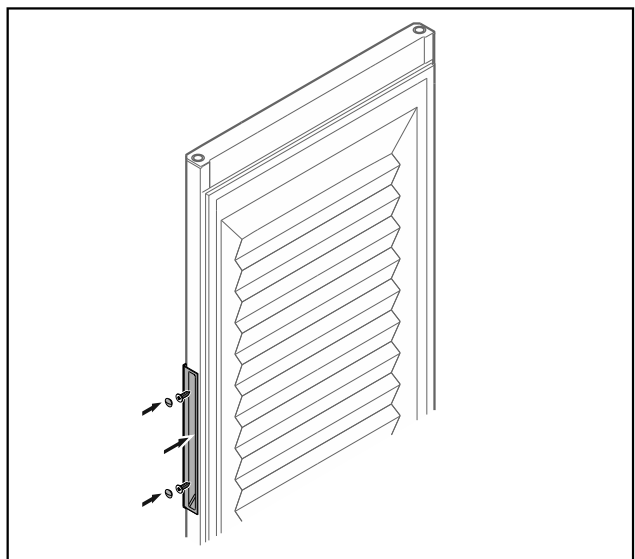


Fig. 27 Insulated door*

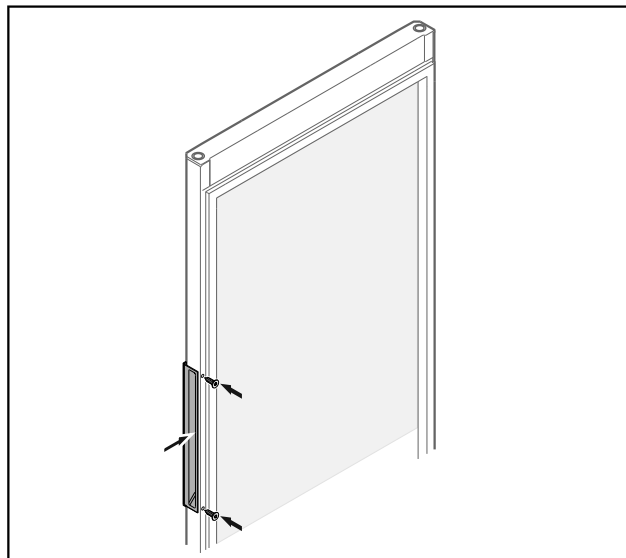


Fig. 28 Glass door*

► Screw the handle onto the opposite side.

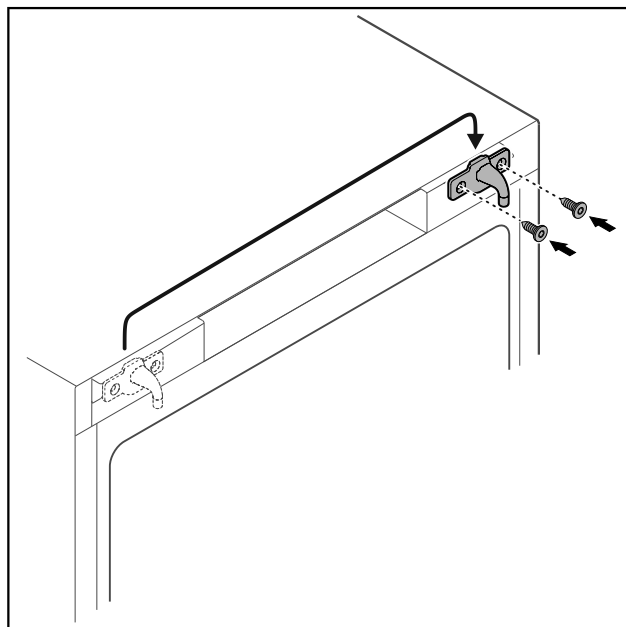


Fig. 29

► Move the door latch to the opposite side.

Note

The holes are pre-marked and must be pierced with the self-tapping screws.

Putting into operation

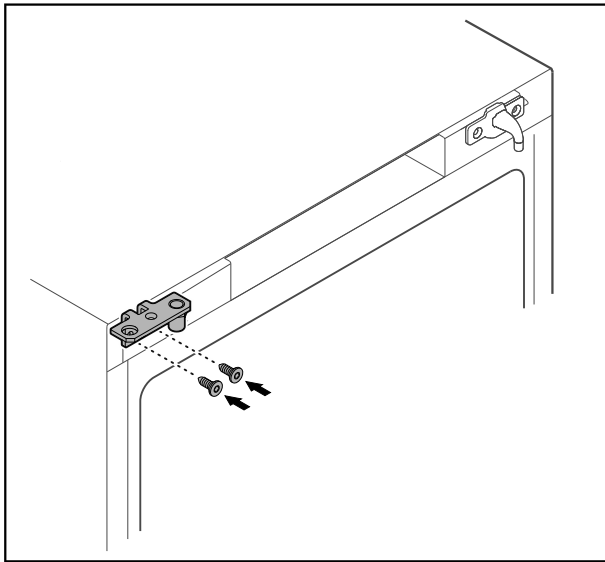


Fig. 30

- ▶ Move the hinge to the opposite side.



WARNING

Risk of injury and material damage if the door tips out!

- ▶ Tighten the bearing pins to the specified torque.

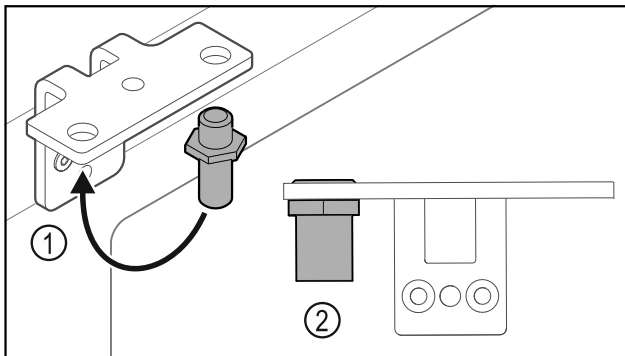


Fig. 31

- ▶ Put the pin back into the hinge Fig. 31 (1).
- ▶ Tighten the pin Fig. 31 (2) to a **torque of 12 Nm**.
- ▶ Unscrew the hinge again.

NOTICE

Risk of injury due to tensioned spring!

- ▶ Do not disassemble the door closing system Fig. 32 (1).

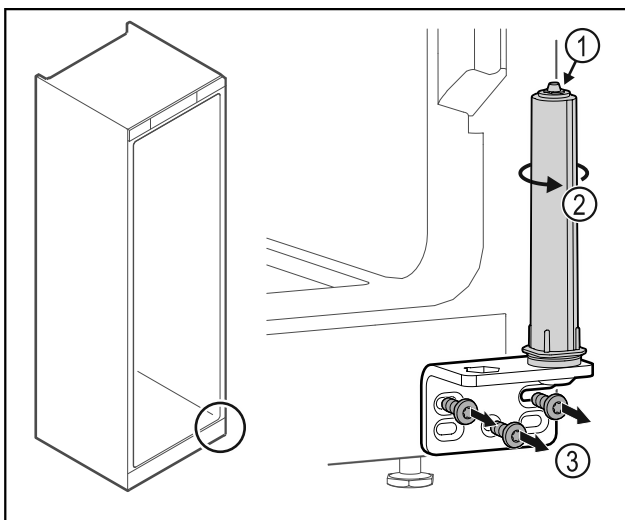


Fig. 32

- ▶ Turn the closing system Fig. 32 (2) until it clicks.
- ▶ The tension of the closing system is released.
- ▶ Unscrew the hinge Fig. 32 (3).

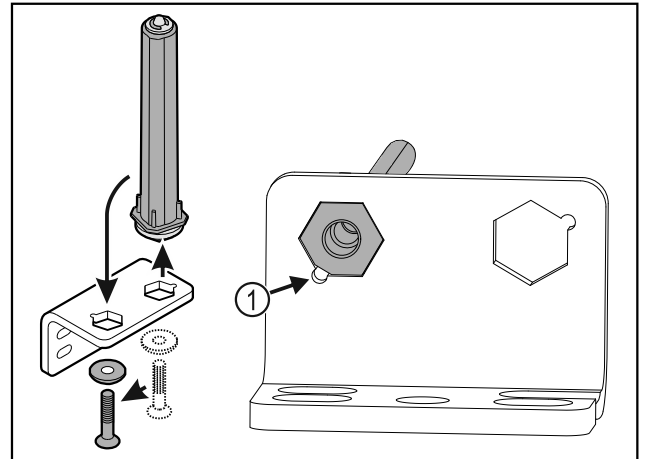


Fig. 33

- ▶ Put the door closing system in the hinge.
- ▶ Make sure the pin chamfer Fig. 33 (1) faces the round hole when you put it in.

-or-

Note

Incorrect alignment of the height adjustment washers. Nuts no longer have sufficient hold.

- ▶ The washer must lock into the underside of the closing system.

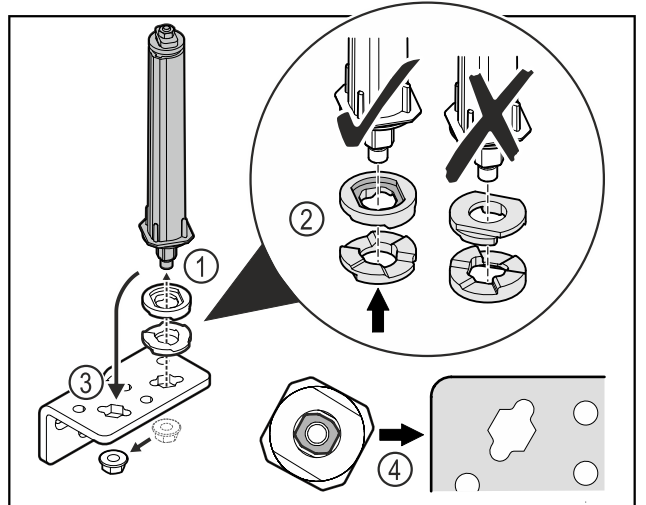


Fig. 34

- ▶ Loosen the nut and remove the door closing system Fig. 34 (1).
- ▶ Observe the correct alignment of the height adjustment washers Fig. 34 (2).
- ▶ Put the door closing system in the hinge and fix in place with the nut Fig. 34 (3).
- ▶ Observe the correct alignment of the door closing system when doing so Fig. 34 (4).

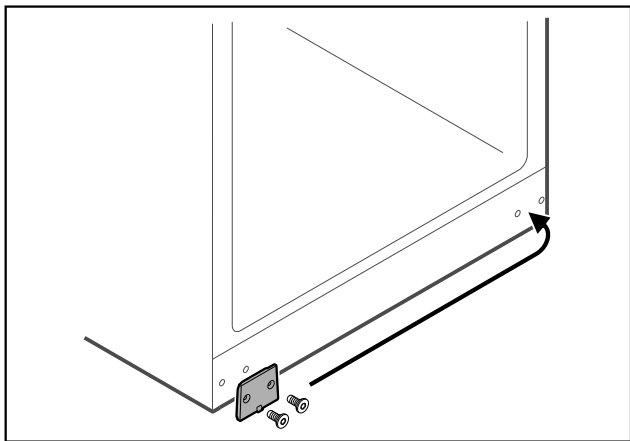


Fig. 35

- ▶ Put the cover plate on the opposite side.

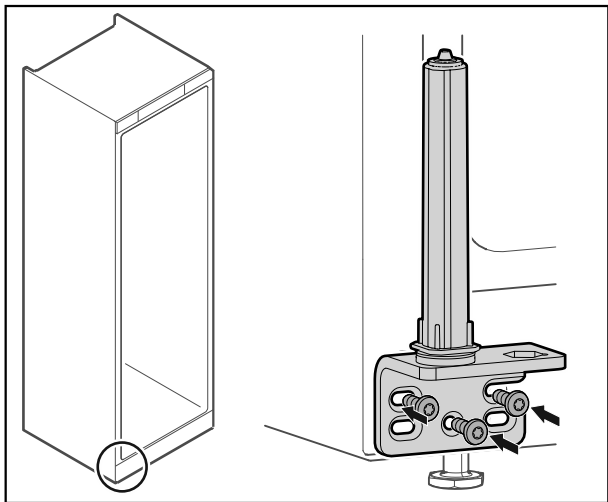


Fig. 36

- ▶ Screw the hinge onto the opposite side.

Note

Correct alignment and tension are important for the closing system to work properly.

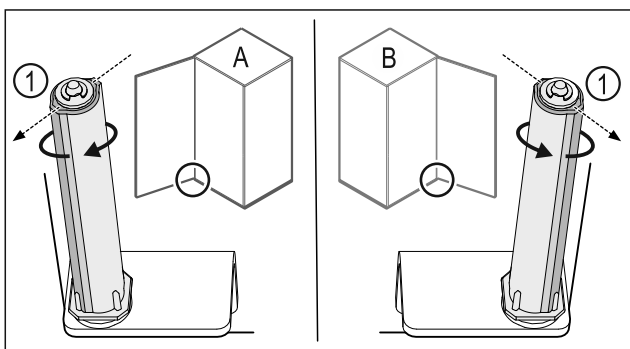


Fig. 37 Left-hinged (A) / Right-hinged (B)

- ▶ Turn the closing system against the resistance until the bar of the closing system Fig. 37 (1) points outwards.
- ▷ The closing system automatically stays in this position.
- ▷ The closing system is now aligned and tensioned.

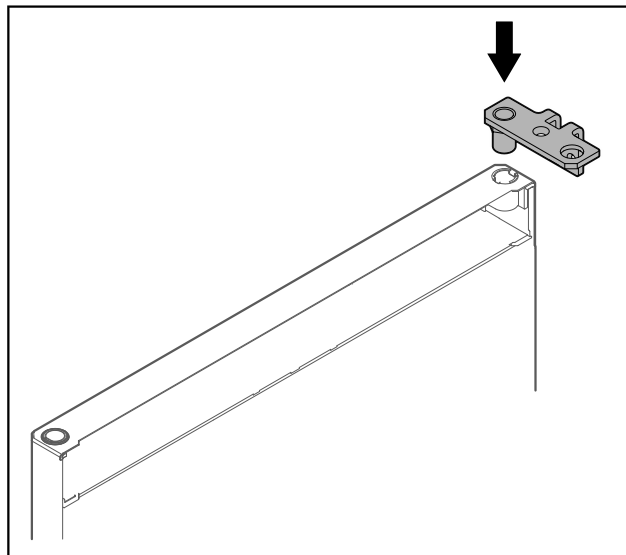


Fig. 38

- ▶ Put the hinge into the door.

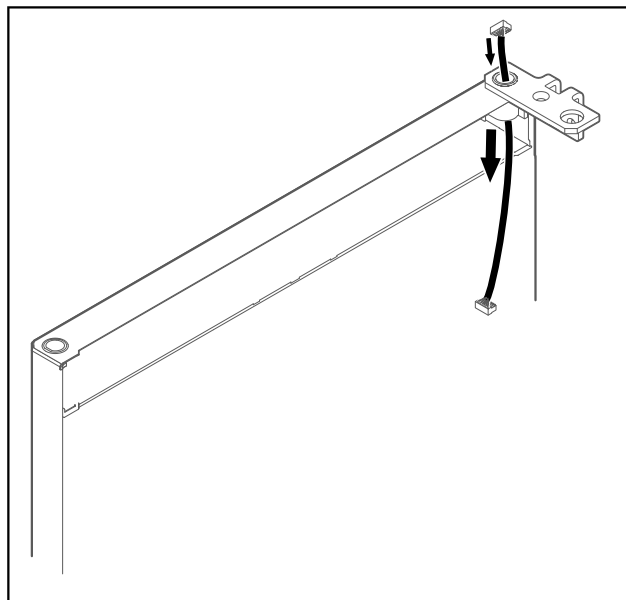


Fig. 39

- ▶ Carefully push the cable through.

NOTICE

Risk of injury if the door tips out!

- ▶ Hold the door.

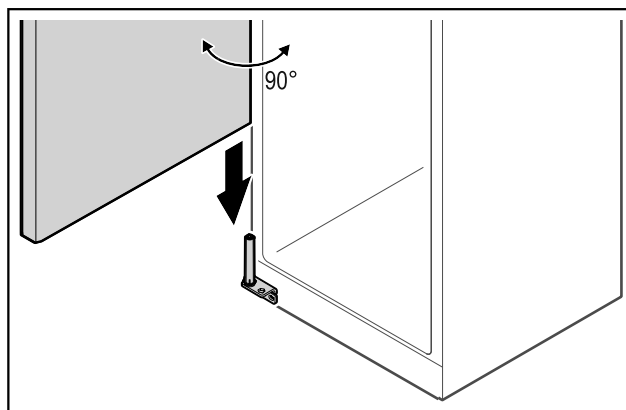


Fig. 40

- ▶ Together with a second person, lift the door from the ground.

Putting into operation

- ▶ Carefully put the door on the closing system with the door opened at a 90° angle.

NOTICE

Material damage due to incorrect mounting!

- ▶ Do not pinch the cable when mounting the hinge.

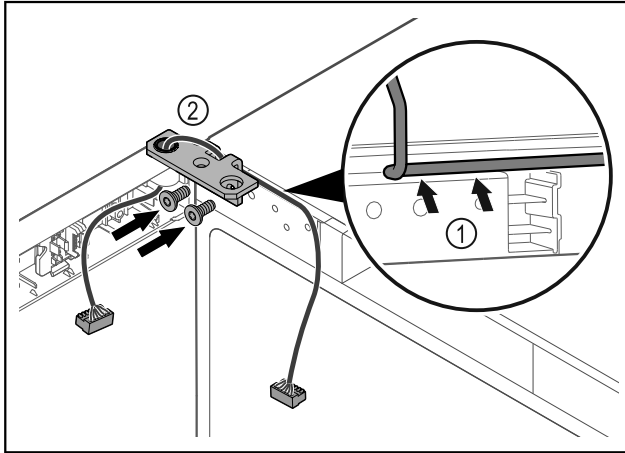


Fig. 41

- ▶ Feed the cable through the recess in the hinge and lay it carefully Fig. 41 (1).
- ▶ Screw on the hinge Fig. 41 (2).

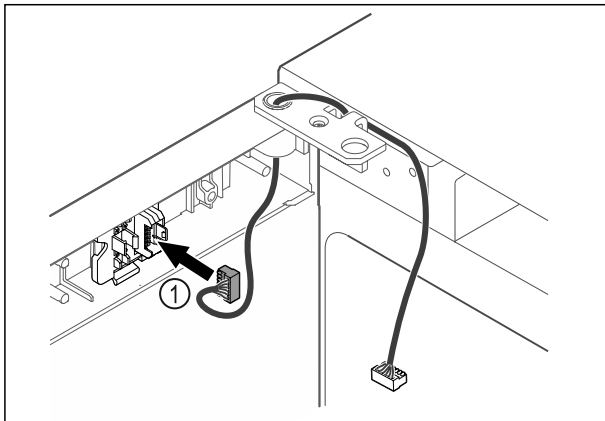


Fig. 42

- ▶ Put the plug Fig. 42 (1) in the plug holder.

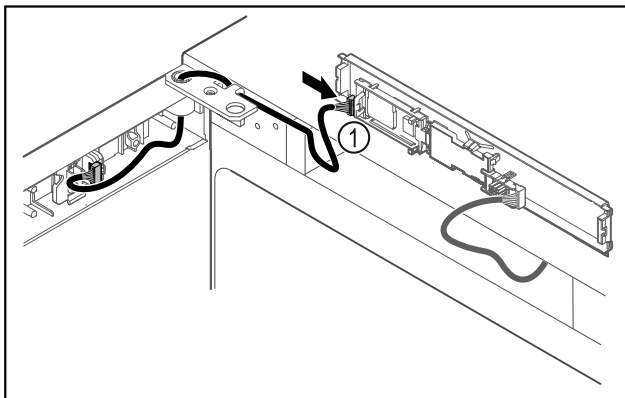


Fig. 43

- ▶ Connect the plug Fig. 43 (1) to the circuit board.

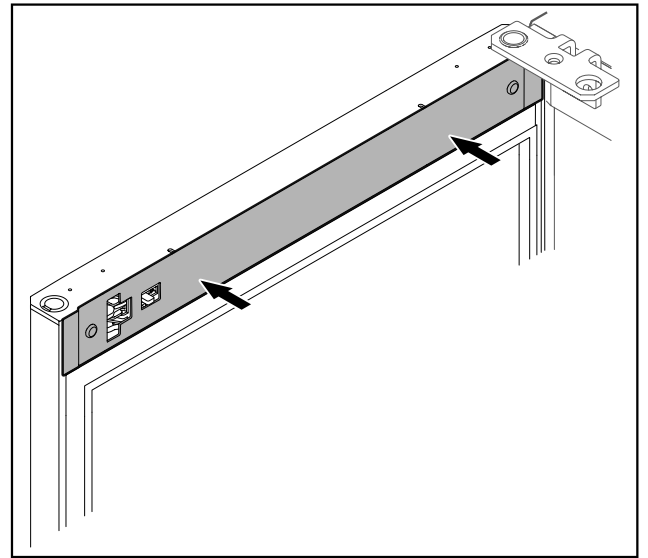


Fig. 44

- ▶ Put on the cover.

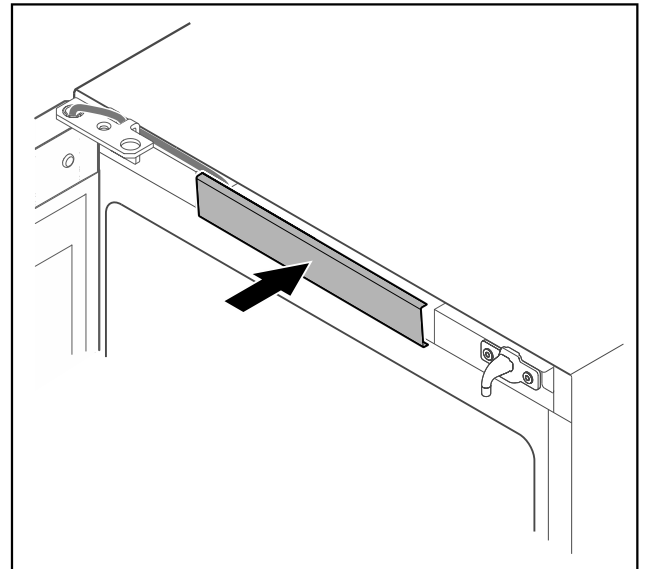


Fig. 45

- ▶ Snap in the middle cover.

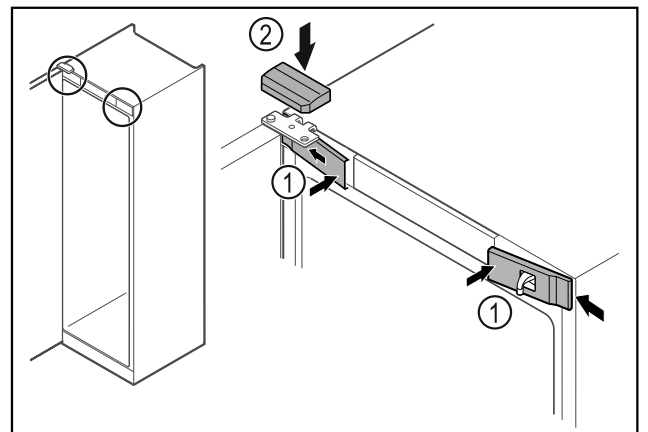


Fig. 46

- ▶ Hook in the front covers Fig. 46 (1) on the side and snap them into place.
- ▶ Snap on the top cover Fig. 46 (2) from above.
- ▶ Close the door.
- ▷ The door has now been reversed.

4.12 Aligning the door

If the door is not straight, you can adjust it on the lower hinge.

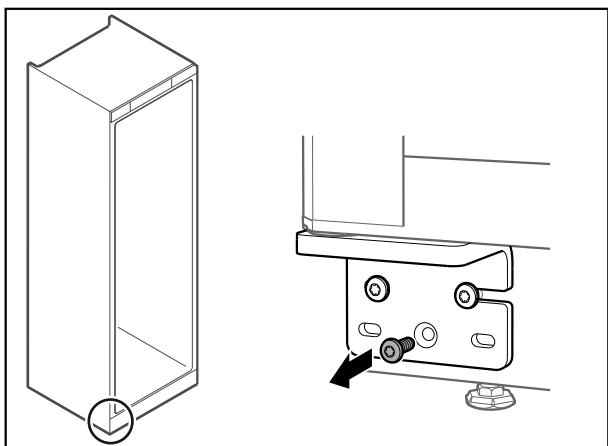


Fig. 47

- ▶ Remove the middle screw on the lower hinge.

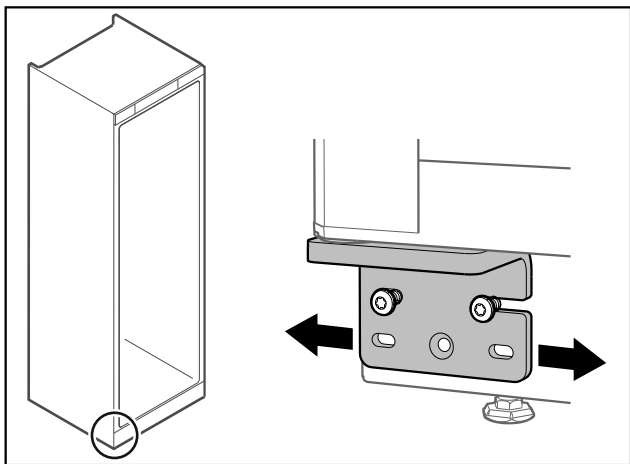


Fig. 48

- ▶ Slightly undo both screws and move the door with the hinge to the left or right.
- ▶ Fully tighten the screws (the middle screw is no longer needed).
- ▷ The door is now straight.

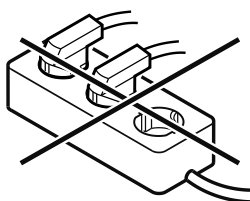
4.13 Connecting appliance



WARNING

Danger of fire due to incorrect connection!
Burns.
Damage to the appliance.

- ▶ Do not use an extension cable.
- ▶ Do not use distributor blocks.



NOTICE

Danger of damage to incorrect connection!
Damage to the appliance.

- ▶ Do not connect the appliance to a stand-alone inverter, e.g. solar power systems and petrol generators.

Note

Only use the supplied mains cable.

- ▶ A longer power cable can be ordered from customer service. (see 9.3 Customer Service)

Make sure that the following requirements are fulfilled:

- The appliance operated using **alternating current** only.
- The permitted voltage and frequency is printed on the type plate. The type plate position can be seen in the appliance overview chapter. (see 1.2 Overview of appliance and equipment)
- The socket is earthed according to the regulations and fused.
- The fuse tripping current is between 10 A and 16 A.
- The socket is easily accessible.
- ▶ Check the electrical connection.
- ▶ Insert the appliance plug into the back of the appliance. Ensure that they latch into place.
- ▶ Connect the mains plug to the power supply.
- ▷ The display switches to the standby symbol.

4.14 Switching on appliance (first use)

Make sure the following prerequisites are met:

- Appliance is installed and connected.
- All adhesive strips, adhesive and protective films and transport locks are removed from inside and outside the appliance.

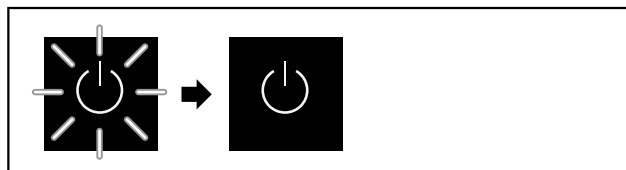


Fig. 49 Example illustration

The standby symbol flashes until the startup process is complete.

The standby symbol is shown in the display.

If the appliance has been supplied with factory settings, the screen language first needs to be selected when using for the first time.

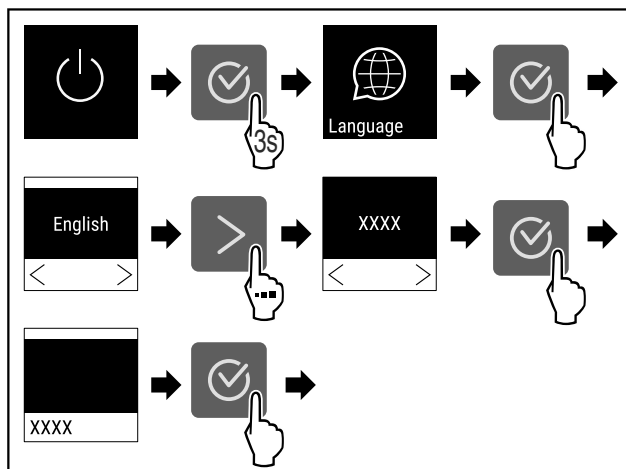


Fig. 50

- ▶ Carry out action steps according to the illustration.

Storage



Fig. 51

- ▷ The appliance is switched on once the temperature appears in the display.
- ▷ The temperature display flashes until the set temperature is reached.

5 Storage

5.1 Information regarding storage

Note

Failure to follow these guidelines can lead to food becoming spoiled.

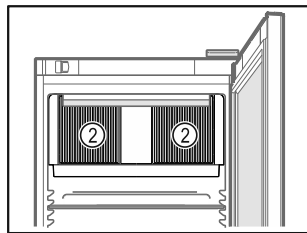
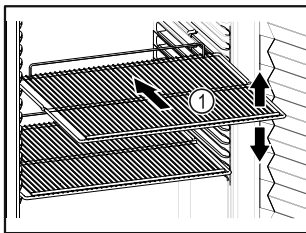


Fig. 52 Example illustration Fig. 53

When stocking observe the following:

- If there are adjustable shelves Fig. 52 (1), position them as required.
- Observe maximum load weight. (see 9.1 Technical specifications)
- Do not load appliance until storage temperature has been reached (maintain cold chain).
- Ventilation slots Fig. 53 (2) for recirculation fan in the interior must be kept clear.
- Refrigerated goods must not touch the rear wall.
- Do not store refrigerated goods beyond the rear stop of the support grates.
- Ensure items for refrigeration are well packaged.
- Pack items for refrigeration which easily acquire or emit an odour of flavour in closed containers or cover.
- Keep liquids in closed containers.
- Package raw meat or fish in clean, closed containers. This will prevent meat or fish from touching or dripping onto other food.
- Leave space when storing items for refrigeration to ensure good air circulation.

5.2 Storage times

The best-before date specified on the packaging should be used as the reference point for the storage time.

6 Controls

6.1 Control and display elements

The display provides a quick overview of the current appliance status, the temperature setting, the status of functions and settings as well as alarm and error messages.

It is operated using the navigation arrows and confirmation symbol.

Functions can be activated or deactivated and setting values can be changed.

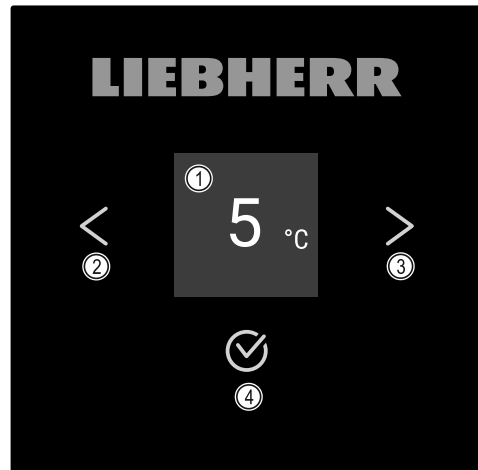


Fig. 54 Display

- (1) Status display
- (2) Backwards navigation arrow
- (3) Forward navigation arrow
- (4) Confirm

6.1.1 Status display

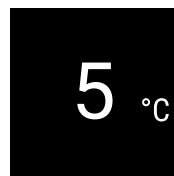


Fig. 55 Status display with temperature

The status display shows the temperature and is the home display. You navigate from here to the other functions and settings. The status display may show a range of display symbols.

6.1.2 Display symbols

Display symbols provide information about the status of the appliance.

Symbol	Appliance status
	Standby Appliance is switched off.
	Flashing standby symbol Appliance is starting up.
	Flashing temperature Target temperature not yet reached. Appliance cooling to temperature set.
	Temperature display Appliance displays the set temperature.
	Status display with white border Appliance is locked.
	Eco symbol Appliance is in energy-saving mode.

Symbol	Appliance status
	EcoPlus symbol Appliance is in energy-saving mode plus.
	D in the display Appliance is in DemoMode.
	Flashing symbol A fault is still active.
	Error symbol Appliance is in error state.
	White bar at the bottom Submenu
	White bar at the top Default, active setting or active value
	Increasing bar Press button for 3 seconds to activate setting.
	Decreasing bar Press button for 3 seconds to deactivate setting.

Status display symbols

6.1.3 Acoustic signals

A signal sounds in the following cases:

- If a function or a value is confirmed.
- If a function or a value can either not be activated or not deactivated.
- As soon as an error occurs.
- If there is an alarm message.

The alarms can be switched on and off in the customer menu.

6.2 Appliance functions

6.2.1 Notes on the appliance functions

The appliance functions are set at the factory so that your appliance is fully functional.

Before you alter, activate or deactivate the device functions, make sure that the following requirements are met:

- You have read and understood the descriptions of how the display works.
- You have familiarised yourself with the operating and display elements of your appliance. (see 6.1 Control and display elements)

6.2.2 Switching appliance on and off



Using this setting the entire appliance can be switched on and off.

Switching on appliance

Without activated DemoMode:

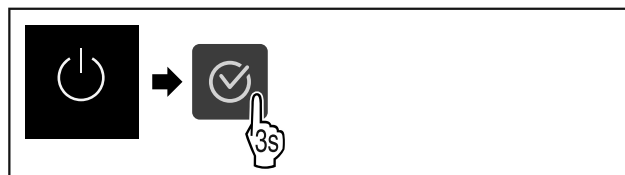


Fig. 56

► Carry out action steps according to the illustration.

With activated DemoMode:

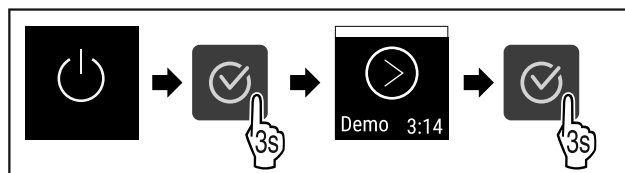


Fig. 57

► Carry out action steps according to the illustration.

Note

Deactivate DemoMode before countdown finishes.

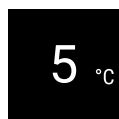


Fig. 58

▷ The temperature appears in the display.

Switching off appliance



Fig. 59

► Tap the navigation arrow repeatedly until the corresponding function is displayed.

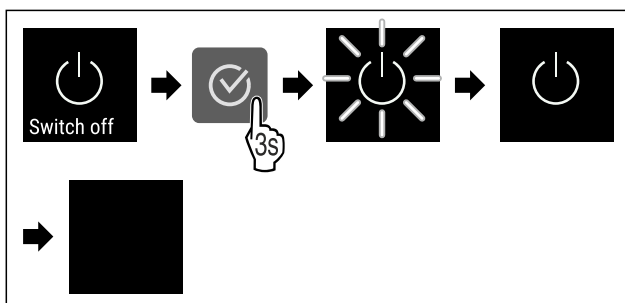


Fig. 60

► Carry out action steps according to the illustration.

▷ Standby symbol is shown in the display.

▷ Display switches off after approximately 10 minutes.

6.2.3 Temperature



The temperature depends on the following factors:

- How often the door is opened
- How long the door is open for
- The room temperature of the installation site
- The type, temperature and amount of refrigerated items

Controls

Note

The temperature may differ from the temperature displayed in some areas of the interior.

Recommended temperature setting: see temperature class on the type plate. (see 1.4 Range of use of appliance)

Setting temperature

▶ Tap the navigation arrow repeatedly until the corresponding function is displayed.

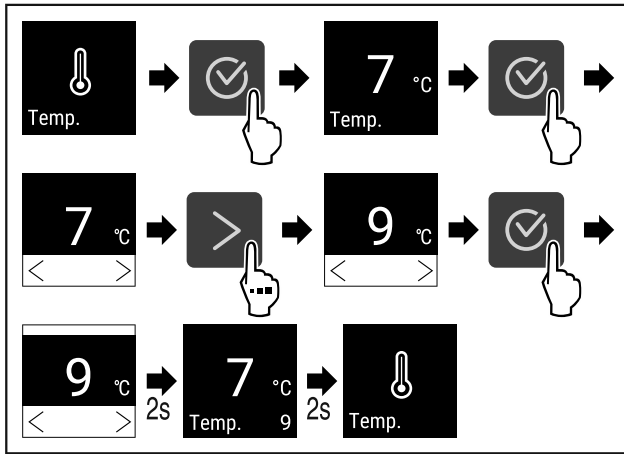




Fig. 61 Changing temperature from 7 °C to 9 °C

- ▶ Carry out action steps according to the illustration.
- ▷ Temperature is set.



6.2.4 Eco mode

This function is designed to reduce energy consumption. A higher temperature is set as default in the appliance which means the appliance cools less frequently. Eco mode is stopped by opening the door and delay time set begins again from the start. There are two energy-saving mode levels:

Energy saving mode	Insulated glass door	Solid door
 Eco	The current temperature set increases by 2 K. The interior lighting stays switched on.	The current temperature set increases by 1 K.
 EcoPlus	The current temperature set increases by 2 K. The interior lighting is switched off.	The current temperature set increases by 3 K.

Activating Eco mode

▶ Tap the navigation arrow repeatedly until the corresponding function is displayed.

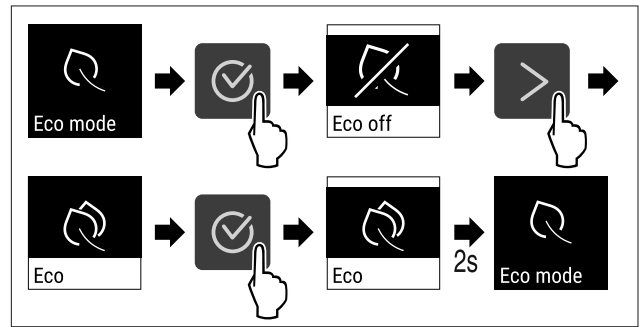


Fig. 62

- ▶ Carry out action steps according to the illustration.
- ▷ Eco mode is activated.
- ▷ The Eco symbol appears in the status display.

Activating EcoPlus mode

▶ Tap the navigation arrow repeatedly until the corresponding function is displayed.

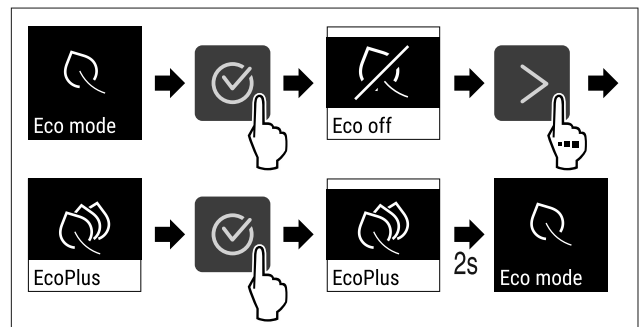


Fig. 63

- ▶ Carry out action steps according to the illustration.
- ▷ EcoPlus mode is activated.
- ▷ The EcoPlus symbol appears in the status display.

Setting delay time for the start of Eco- or EcoPlus mode

This function allows the starting time to be set for Eco mode or EcoPlus mode after the door has been opened. You can set the following starting times:

- 0.5 h
- 1 h
- 1.5 h
- 2 h
- 12 h
- 24 h

The example shows that the appliance will not switch to Eco or EcoPlus mode until two hours after the door was last opened.

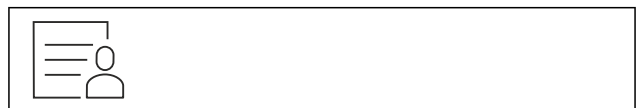


Fig. 64

▶ Tap the navigation arrow repeatedly until the corresponding function is displayed.

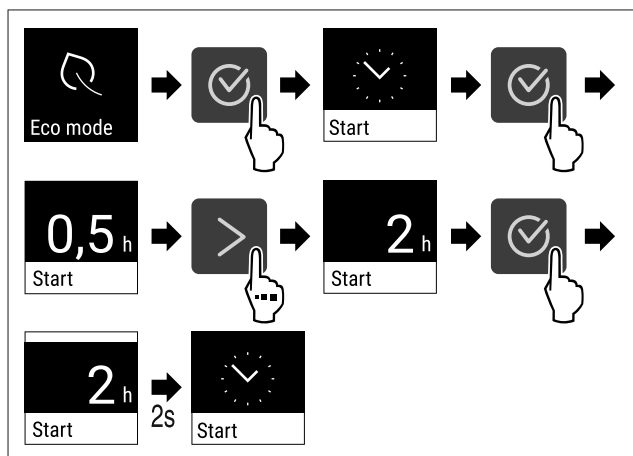


Fig. 65

- ▶ Carry out action steps according to the illustration.
- ▷ The starting time for Eco- or EcoPlus mode is set.

Setting duration of Eco- or EcoPlus mode

Note

The appliance switches automatically to normal mode when the door is opened or the target value is adjusted.

This function allows the period to be set during which the appliance runs in Eco or EcoPlus mode before it switches back to normal mode. You can select the following time periods:

- 5 h
- 6 h
- 7 h
- 8 h
- 12 h
- 24 h

The example shows activation of Eco or EcoPlus mode for six hours.



Fig. 66

- ▶ Tap the navigation arrow repeatedly until the corresponding function is displayed.

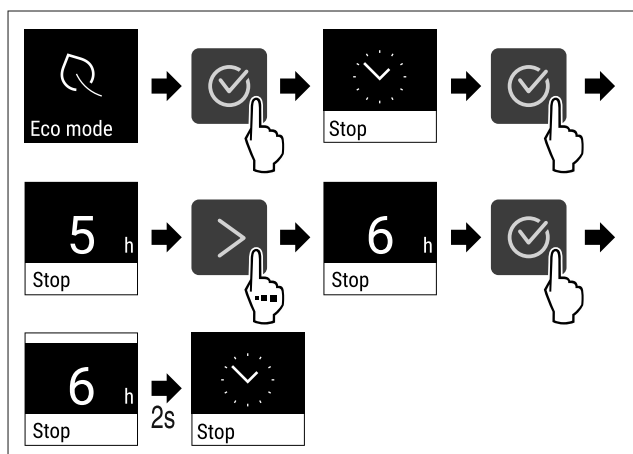


Fig. 67

- ▶ Carry out action steps according to the illustration.
- ▷ The duration of Eco- or EcoPlus mode is set.

6.2.5 Lighting

The appliance is fitted with interior lighting.

You can keep the interior lighting on continuously. (see Switching on lighting*) *

When you open the appliance door, the interior lighting switches on.

You can also deactivate this function. (see Switching off the lighting when opening the door*) *

Switching off lighting*

- ▶ Tap the navigation arrow repeatedly until the corresponding function is displayed.

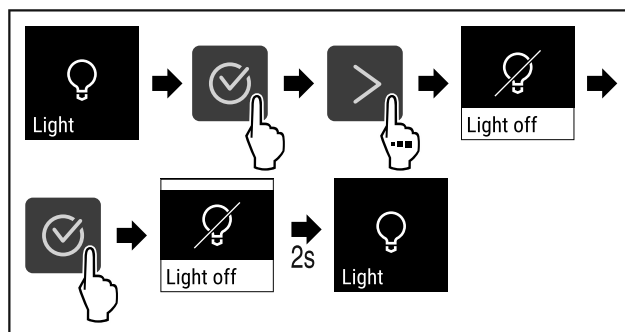


Fig. 68

- ▶ Carry out action steps according to the illustration.
- ▷ Lighting is switched off.

Switching on lighting*

- ▶ Tap the navigation arrow repeatedly until the corresponding function is displayed.

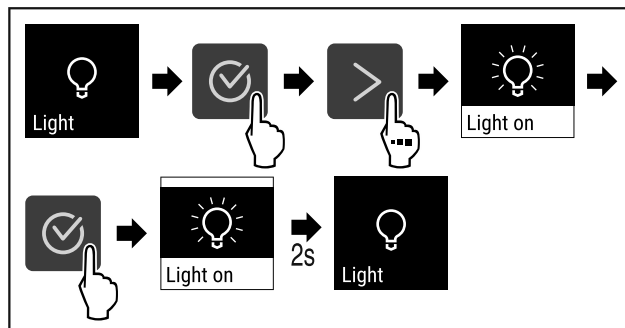


Fig. 69

- ▶ Carry out action steps according to the illustration.
- ▷ Lighting is switched on.

Switching off the lighting when opening the door*

- ▶ Tap the navigation arrow repeatedly until the corresponding function is displayed.

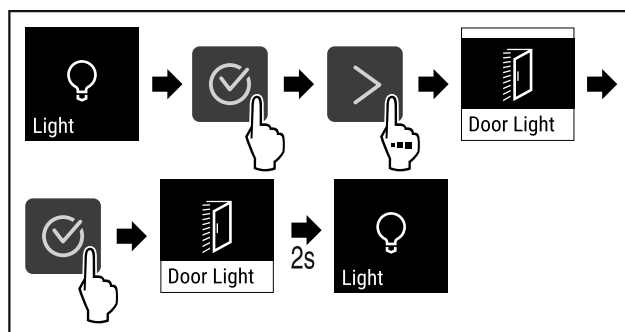


Fig. 70

- ▶ Carry out action steps according to the illustration.
- ▷ The lighting is switched off when the door is opened.

Controls

Switching on the lighting when opening the door*

- ▶ Tap navigation arrow repeatedly until corresponding function is displayed.

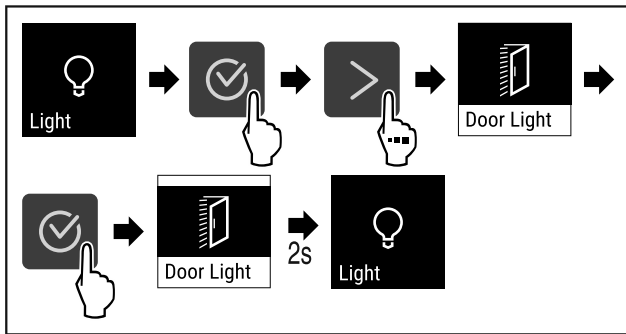


Fig. 71

- ▶ Carry out action steps according to the illustration.
- ▷ The lighting is switched on when the door is opened.

6.2.6 Lighting intensity



This setting allows the interior brightness to be adjusted incrementally.

The following brightness values can be set:

- 20%
- 40%
- 60%
- 80%
- 100% (default)

Setting lighting intensity

- ▶ Tap the navigation arrow repeatedly until the corresponding function is displayed.

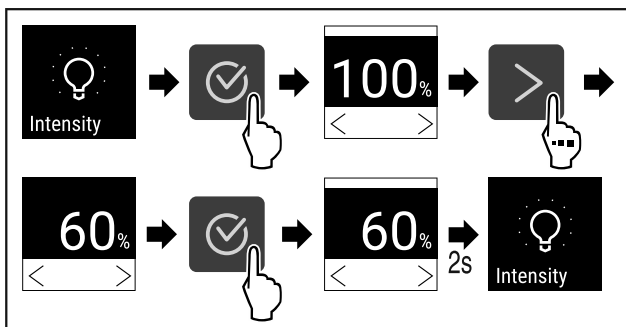


Fig. 72

- ▶ Carry out action steps according to the illustration.
- ▷ The lighting intensity increases or decreases accordingly.

6.2.7 Door lock



The appliance is fitted with an electronic door lock. **When using the first time, the door is unlocked** and you can open it.

This function means the appliance can be secured against the unwanted removal of items.

You have the following setting options for this:

- Lock door using door code.
- Unlock door using door code.
- Activate automatic locking.
- Deactivate automatic locking.
- Set time delay for automatic locking.

- Change the door code. (see 6.2.9 Access code)
- Reset the door code. (see 6.2.9 Access code)
- Pair remote control. (see 6.2.10 Remote control)

Locking door using door code

Door code entry starts from the status display.

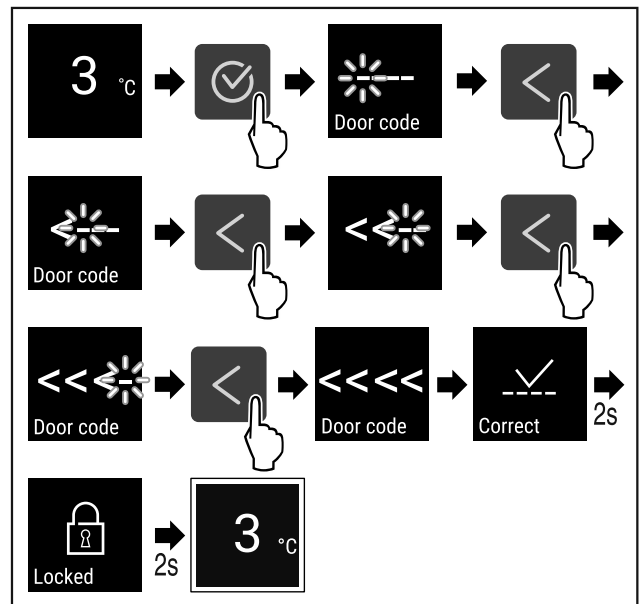


Fig. 73 Locking door < < < < using door code.

- ▶ Carry out action steps according to the illustration.
- ▷ Status display is shown with a white border.
- ▷ The door is locked.

Unlocking door using door code

Door code entry starts from the status display.

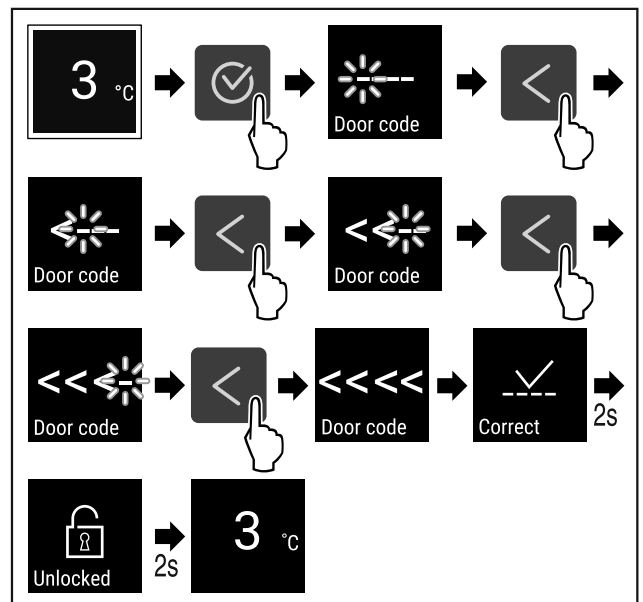


Fig. 74 Unlocking door using door code. < < < <.

- ▶ Carry out action steps according to the illustration.
- ▷ Status display is shown without a white border.
- ▷ The door is unlocked.

Activating automatic locking



Fig. 75

- ▶ Tap the navigation arrow repeatedly until the corresponding function is displayed.

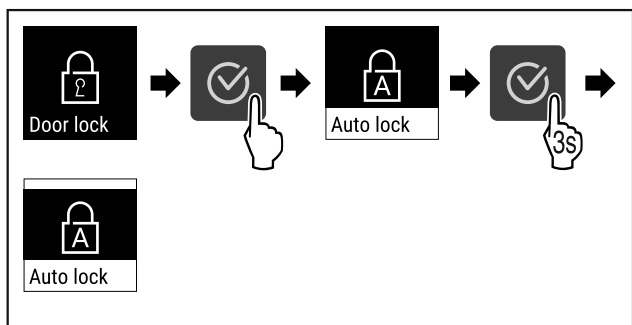


Fig. 76

- ▶ Carry out action steps according to the illustration.
- ▷ Automatic locking is activated.
- ▷ The time delay (see Setting time delay for automatic locking) can now be set.

Note

You can continue to lock and unlock the door using the remote control (see 6.2.10 Remote control) or by entering the door code.

Deactivating automatic locking



Fig. 77

- ▶ Tap the navigation arrow repeatedly until the corresponding function is displayed.

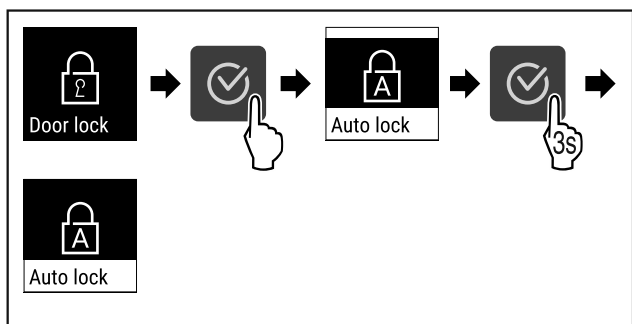


Fig. 78

- ▶ Carry out action steps according to the illustration.
- ▷ Automatic locking is deactivated.

Setting time delay for automatic locking

This function determines when the door is locked electronically after being opened.

Make sure the following prerequisites are met:

- The automatic door locking (see Activating automatic locking) is activated.



Fig. 79

- ▶ Tap the navigation arrow repeatedly until the corresponding function is displayed.

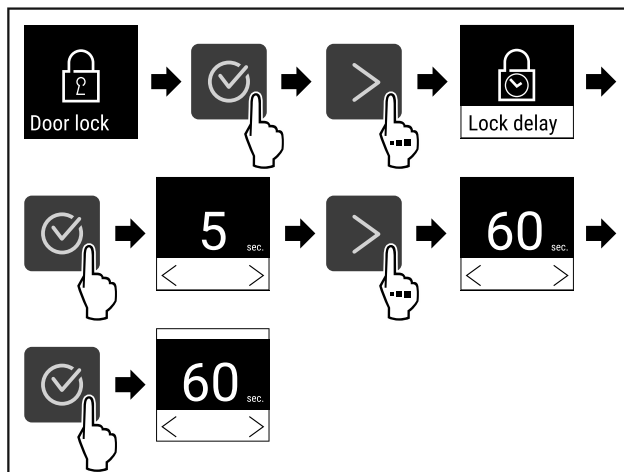


Fig. 80 The following values can be set: 5, 15, 60, 90, 120, 180 and 240 seconds

- ▶ Carry out action steps according to the illustration.
- ▷ Time delay is set.

Changing door code

(see 6.2.9 Access code)

Resetting door code

(see 6.2.9 Access code)

Pairing remote control

(see 6.2.10 Remote control)

6.2.8 Display lock



This setting avoids accidental operation of the appliance.

Application:

- Prevent settings and functions being changed unintentionally.
- Prevent the appliance being switched off unintentionally.
- Prevent temperature being set unintentionally.

Note

Despite the display lock being activated, the door lock can be opened and locked at any time using the PIN code (see 6.2.9 Access code) .

Activating display lock



Fig. 81

- ▶ Tap the navigation arrow repeatedly until the corresponding function is displayed.

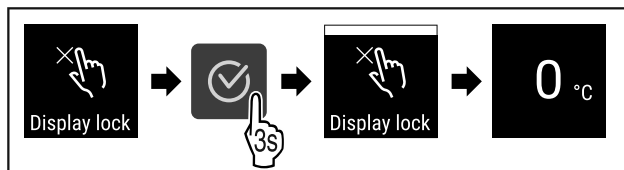


Fig. 82

- ▶ Carry out action steps according to the illustration.
- ▷ The display lock is activated.
- ▷ The status display appears.

Controls

Deactivating display lock

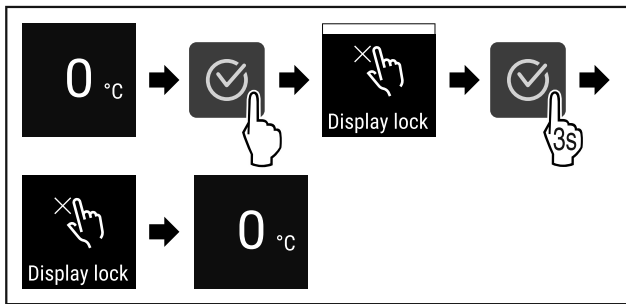


Fig. 83

- ▶ Carry out action steps according to the illustration.
- ▷ The display lock is deactivated.
- ▷ The status display appears.

6.2.9 Access code

Various settings are possible.

Application:

- Changing the door code.
- Resetting the door code.



Door code

Changing door code

This setting allows the door code for the door lock to be changed.

The setting is made in 3 stages:

- Entering the old door code
- Entering the new door code
- Confirming the new door code

Note

- ▶ In the following example, the default factory-set door code < < < < is changed.
- ▶ The new door code is: < < > <



Fig. 84

- ▶ Tap the navigation arrow repeatedly until the corresponding function is displayed.

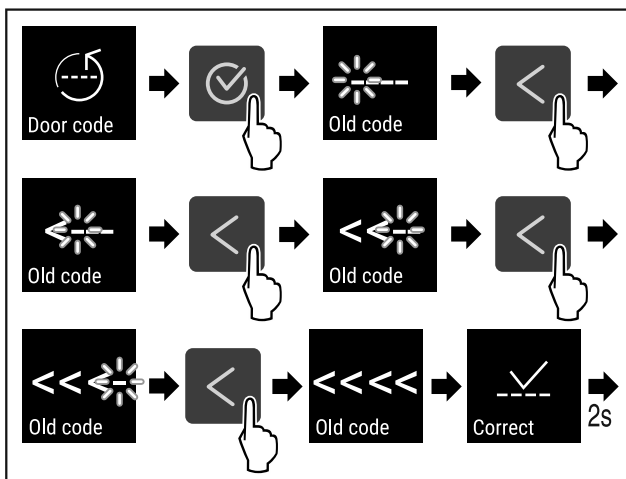


Fig. 85

- ▶ Carry out action steps according to the illustration.
- ▷ Entry of the old door code successful.

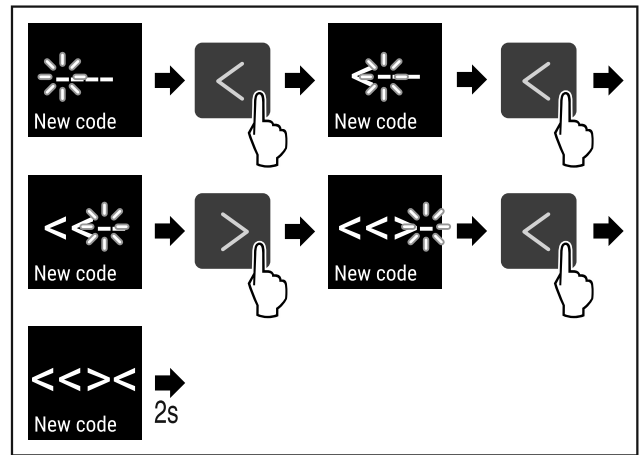


Fig. 86

- ▶ Carry out action steps according to the illustration.
- ▷ Entry of the new door code successful.

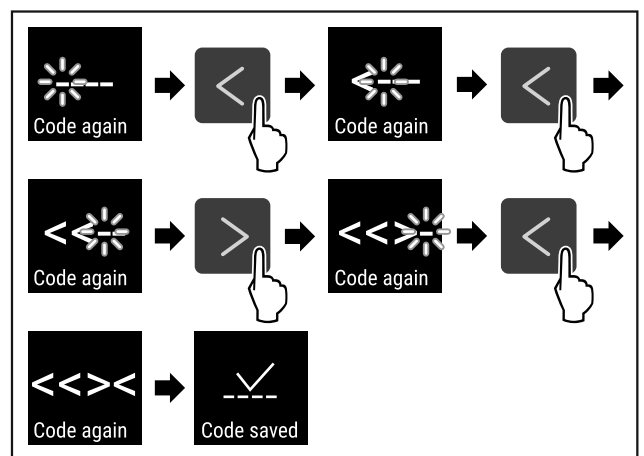


Fig. 87

- ▶ Carry out action steps according to the illustration.
- ▷ Confirmation of the new door code successful.
- ▷ Door code has changed.

Resetting door code

Door code forgotten or not known.

- ▶ Reset appliance to factory settings. (see 6.2.23 Resetting to factory settings)
- ▷ The appliance is reset to the original settings.
- ▷ The factory-set door code is: < < < <



6.2.10 Remote control

When supplied, a factory PIN code is stored on the remote control. This opens every appliance with factory settings unchanged (see 6.2.23 Resetting to factory settings). This means multiple appliances can be opened and closed with just one remote control. Pairing generates an appliance-specific PIN code which can only open and close the appliance which is signed in. A factory reset restores the original functionality.

Note

The range of the remote control is approximately 15 m.

Application:

- Pairing remote control.
- Unpairing remote control.

Pairing remote control



Fig. 88

- ▶ Tap the navigation arrow repeatedly until the corresponding function is displayed.

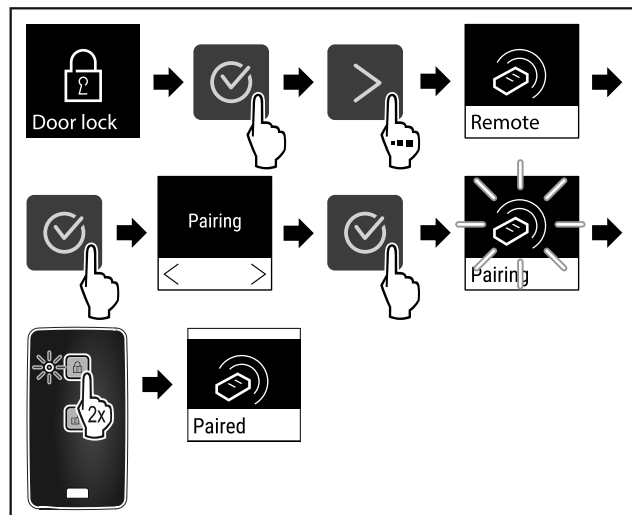


Fig. 89

- ▶ Carry out action steps according to the illustration.
- ▶ Press a button on the remote control twice.
- ▷ The status LED on the remote control flashes three times.
- ▷ The remote control is connected to the appliance.

Unpairing remote control



Fig. 90

- ▶ Tap the navigation arrow repeatedly until the corresponding function is displayed.

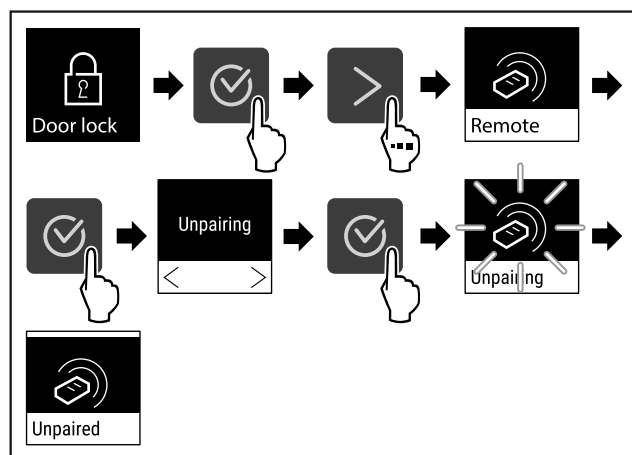


Fig. 91

- ▶ Carry out action steps according to the illustration.
- ▷ The remote control is disconnected from the appliance.

6.2.11 Language



This setting allows the display language to be set.

Setting language



Fig. 92

- ▶ Tap the navigation arrow repeatedly until the corresponding function is displayed.

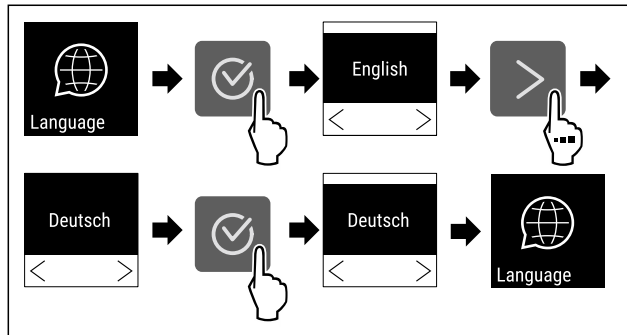


Fig. 93

- ▶ Carry out action steps according to the illustration.
- ▷ The selected language is set.

6.2.12 Temperature unit



This setting allows the temperature unit to be changed between degrees Celsius and Fahrenheit.

Setting temperature unit

The example shows how you change the temperature unit from degrees Celsius to Fahrenheit.



Fig. 94

- ▶ Tap the navigation arrow repeatedly until the corresponding function is displayed.

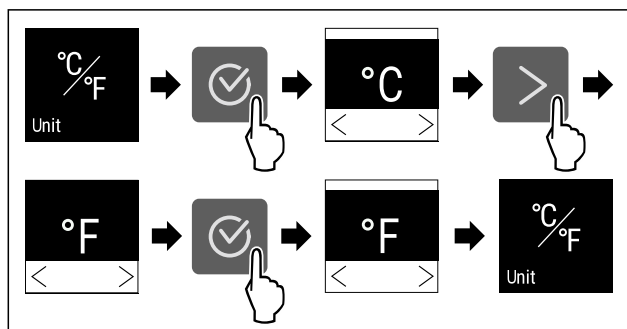


Fig. 95

- ▶ Carry out action steps according to the illustration.
- ▷ The temperature unit is set as Fahrenheit.

6.2.13 Display brightness



This setting allows the display brightness to be adjusted incrementally.

The following brightness values can be set:

- 40%
- 60%

Controls

- 80%
- 100% (default)

Setting display brightness

The following steps describe how to reduce the display brightness, e.g. from 100 % to 40 %.



Fig. 96

- ▶ Tap the navigation arrow repeatedly until the corresponding function is displayed.

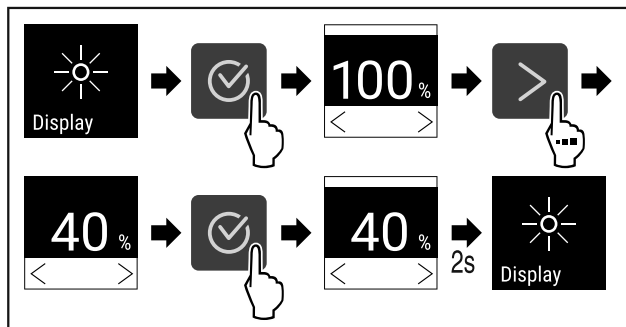


Fig. 97

- ▶ Carry out action steps according to the illustration.
- ▷ Display brightness changes accordingly.



6.2.14 Alarm Sound

This function enables all alarm sounds, such as door alarm, to be switched on and off.

Activating Alarm Sound

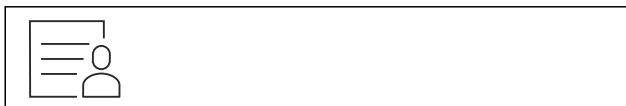


Fig. 98

- ▶ Tap the navigation arrow repeatedly until the corresponding function is displayed.

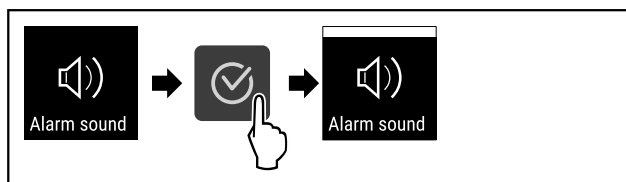


Fig. 99

- ▶ Carry out action steps according to the illustration.
- ▷ Alarm Sound is activated.

Deactivating Alarm Sound



Fig. 100

- ▶ Tap navigation arrow repeatedly until corresponding function is displayed.

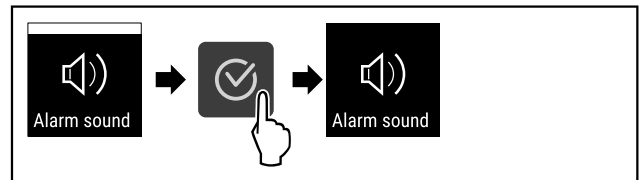


Fig. 101

- ▶ Carry out action steps according to the illustration.
- ▷ Alarm Sound is deactivated.



6.2.15 WiFi connection

Note

Liebherr SmartMonitoring Dashboard is not available in all countries. Check availability via the QR code by entering your model.

Note

Use of the Liebherr SmartMonitoring Dashboard at <https://smartmonitoring.liebherr.com> requires installation of a SmartModule and a commercial MyLiebherr account. When commissioning online you can register using the login data you have, or register again and create a company account.

This setting establishes a wireless connection between the appliance and the internet. The connection is controlled via the SmartModule. The appliance can be integrated via the browser-based [Liebherr SmartMonitoring Dashboard](#) and advanced options as well as customised methods relating to control, administration and monitoring can be used.

Note

Accessories are available from Customer Service (see 9.3 Customer Service) and the Liebherr-Hausgeräte store at home.liebherr.com/shop/de/deu/zubehor.html.

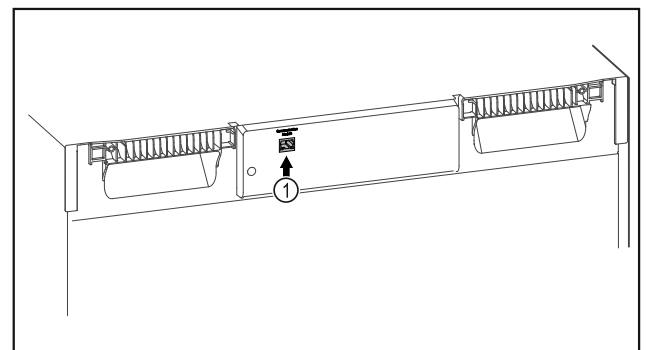


Fig. 102

Make sure that the following requirements are fulfilled:

- SmartModule Fig. 102 (1) is in use.

Establishing connection

You commission and set up your SmartModule online via the [Liebherr SmartMonitoring Dashboard](#) on your web-enabled device.

On the [Liebherr SmartMonitoring Dashboard](#), information is also available about retrofitting the SmartModule.



Fig. 103

- ▶ Open the [Liebherr SmartMonitoring Dashboard](#) (see Fig. 103).

On the refrigerator or freezer:

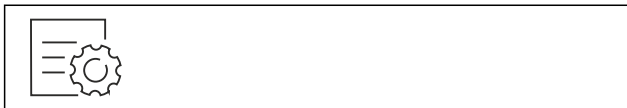


Fig. 104

- ▶ Tap navigation arrow repeatedly until corresponding function is displayed.

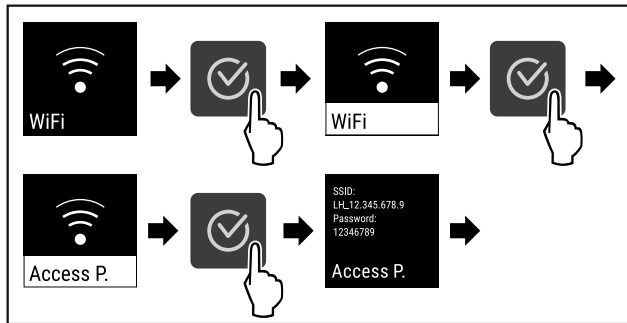


Fig. 105

- ▶ Carry out action steps according to the illustration.
- ▶ Continue the set-up procedure on your web-enabled device: [Liebherr SmartMonitoring Dashboard](#)

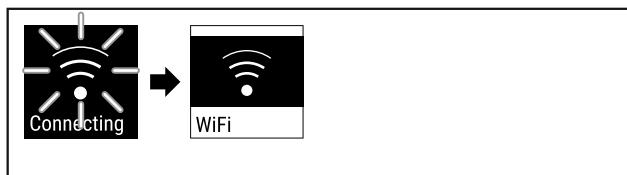


Fig. 106

- ▶ Connection is established.
- ▷ WiFi connecting appears. The symbol flashes.
- ▶ Follow the [Liebherr SmartMonitoring Dashboard](#) instructions.
- ▷ Connection is established.

Disconnecting

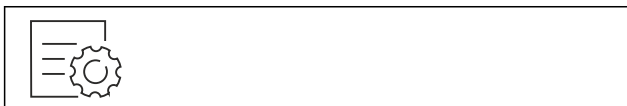


Fig. 107

- ▶ Tap navigation arrow repeatedly until corresponding function is displayed.

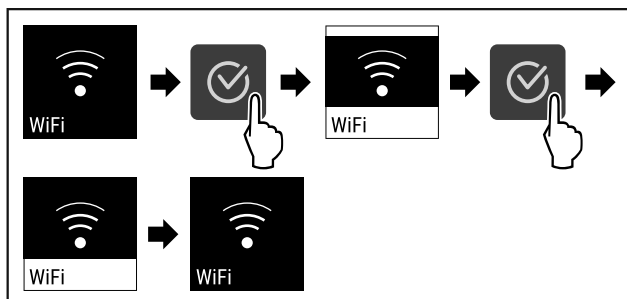


Fig. 108

- ▶ Carry out action steps according to the illustration.
- ▷ There is no connection.

Resetting connection



Fig. 109

- ▶ Tap navigation arrow repeatedly until corresponding function is displayed.

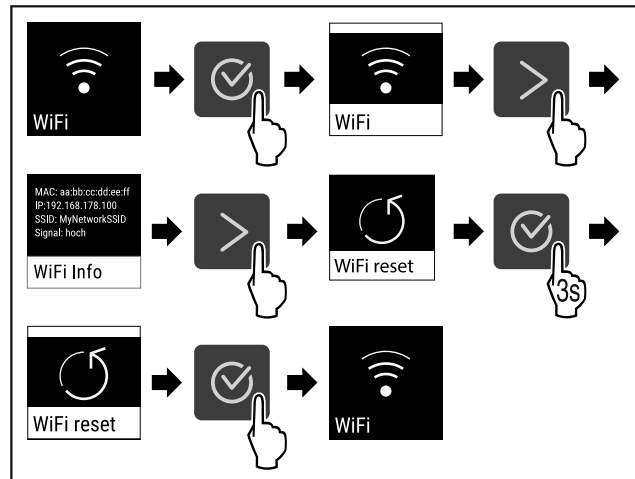


Fig. 110

- ▶ Carry out action steps according to the illustration.
- ▷ The WiFi settings are restored to the factory settings.

6.2.16 LAN connection



Note

Liebherr SmartMonitoring Dashboard is not available in all countries. Check availability via the QR code by entering your model.

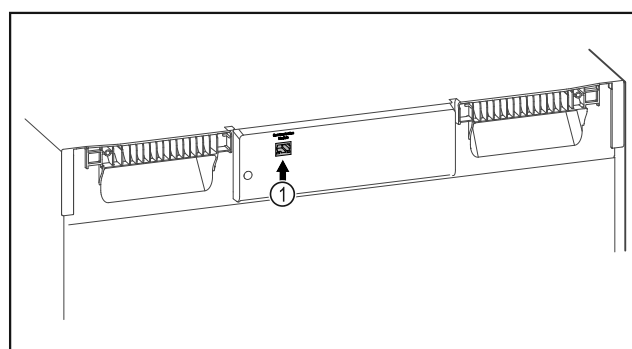
Note

Use of the Liebherr SmartMonitoring Dashboard at <https://smartmonitoring.liebherr.com> requires installation of a SmartModule and a commercial MyLiebherr account. When commissioning online you can register using the login data you have, or register again and create a company account.

This setting establishes a wired connection between the appliance and the internet. The connection is controlled via the SmartModule. The appliance can be integrated via the browser-based [Liebherr SmartMonitoring Dashboard](#) and advanced options as well as customised methods relating to control, administration and monitoring can be used.

Note

Accessories are available from Customer Service (see 9.3 Customer Service) and the Liebherr-Hausgeräte store at home.liebherr.com/shop/de/deu/zubehor.html.



Controls

Fig. 111

Make sure that the following requirements are fulfilled:

- ❑ SmartModule Fig. 111 (1) is in use.
- ❑ A network cable is connected.

Establishing connection

You commission and set up your SmartModule online via the [Liebherr SmartMonitoring Dashboard](#) on your web-enabled device.

On the [Liebherr SmartMonitoring Dashboard](#), information is also available about retrofitting the SmartModule.



Fig. 112

- ▶ Open the [Liebherr SmartMonitoring Dashboard](#) (see Fig. 112).

On the refrigerator or freezer:

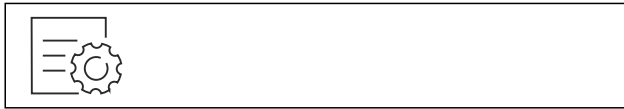


Fig. 113

- ▶ Tap navigation arrow repeatedly until corresponding function is displayed.

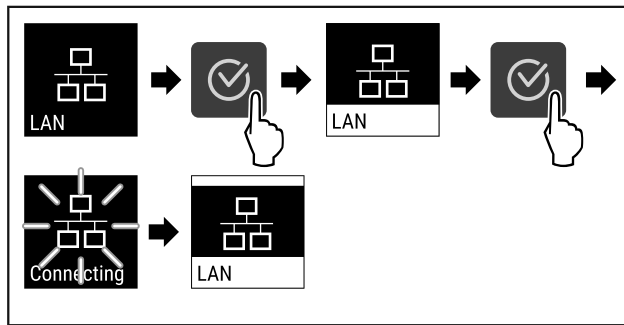


Fig. 114

- ▶ Carry out action steps according to the illustration.
- ▷ Connection is established: LAN connecting appears. The symbol flashes.
- ▶ Follow the [Liebherr SmartMonitoring Dashboard](#) instructions.
- ▷ Connection is established.

Disconnecting



Fig. 115

- ▶ Tap navigation arrow repeatedly until corresponding function is displayed.

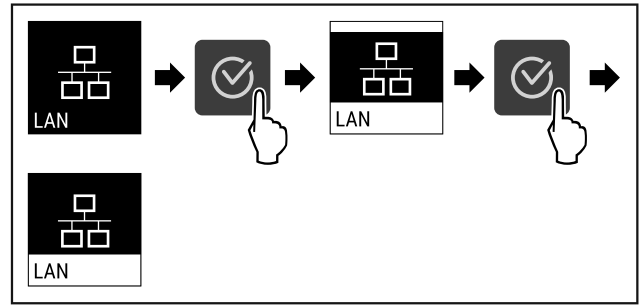


Fig. 116

- ▶ Carry out action steps according to the illustration.
- ▷ There is no connection.

6.2.17 Device information



Use this function to indicate the model name, index, serial number and service number of your device. You will need the device information when you contact customer service. (see 9.3 Customer Service)

This function also opens the Advanced menu. (see 3 Functionality of the Touch display)

Indicating the device information



Fig. 117



Fig. 118

- ▶ Carry out action steps according to the illustration.
- ▷ Display indicates device information.

6.2.18 Operating hours



The display shows the appliance operating hours.

Displaying operating hours



Fig. 119

- ▶ Press the navigation arrow repeatedly until the corresponding function is displayed.

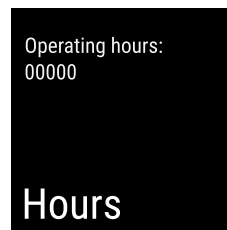


Fig. 120

- ▷ The operating hours appear.

6.2.19 Software



Use this function to indicate the software version of your device.

Indicating the software version



Fig. 121



Fig. 122

- ▶ Carry out action steps according to the illustration.
- ▷ Display indicates software version.

6.2.20 Door alarm



Use this function to activate or deactivate the door alarm. The door alarm sounds if the door is open for too long. The door alarm is activated on delivery. You can set how long the door may be open before the door alarm sounds.

The following values can be set:

- 1 minute
- 2 minutes
- 3 minutes
- Off

Setting the door alarm



Fig. 123

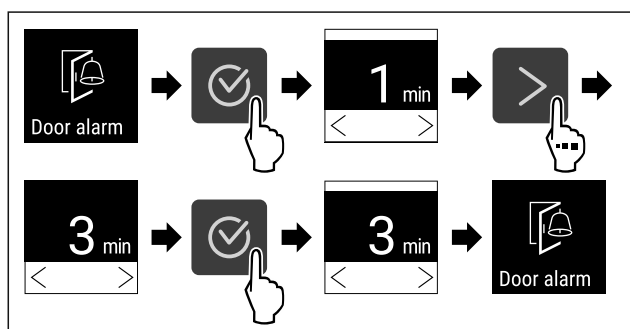


Fig. 124 Example illustration: Change door alarm from 1 minute to 3 minutes.

- ▶ Carry out action steps according to the illustration.
- ▷ The door alarm is set.

Deactivating the door alarm



Fig. 126

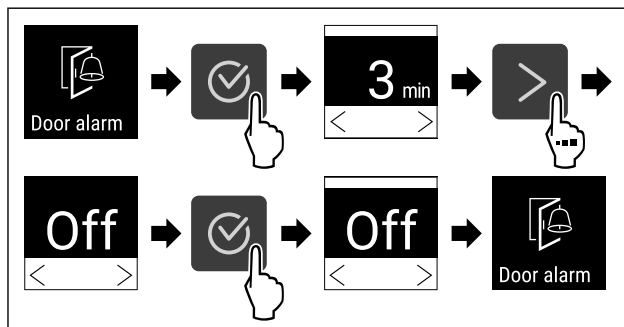


Fig. 127

- ▶ Carry out action steps according to the illustration.
- ▷ The door alarm is deactivated.

6.2.21 Light alarm



This setting allows the visual alarm messages in the display to also be emphasised by flashing appliance lighting.

Activating light alarm



Fig. 128

- ▶ Tap the navigation arrow repeatedly until the corresponding function is displayed.

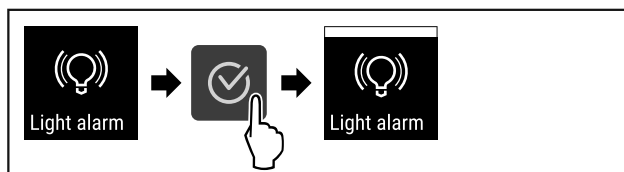


Fig. 129

- ▶ Carry out action steps according to the illustration.
- ▷ The light alarm is activated.

Deactivating light alarm



Fig. 130

- ▶ Tap the navigation arrow repeatedly until the corresponding function is displayed.

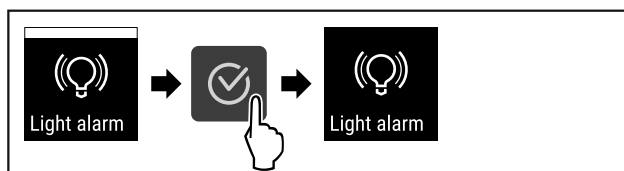


Fig. 131

- ▶ Carry out action steps according to the illustration.
- ▷ The light alarm is deactivated.

6.2.22 Demo mode



Demo mode is a special feature for dealers who want to demonstrate appliance features. If you activate demo mode, all refrigeration functions are deactivated.

If you switch on your appliance and a "D" appears on the status display, demo mode is already activated.

Controls

If you activate and then deactivate demo mode, the appliance will be reset to factory defaults. (see 6.2.23 Resetting to factory settings)

Activating demo mode



Fig. 132

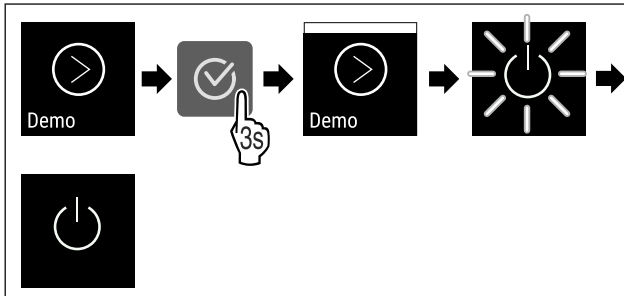


Fig. 133

- ▶ Carry out action steps according to the illustration.
- ▷ Demo mode is activated.
- ▷ Appliance is switched off.
- ▶ Switch on the appliance. (see 4.14 Switching on appliance (first use))
- ▷ "D" appears in the status display.

Deactivating demo mode



Fig. 134

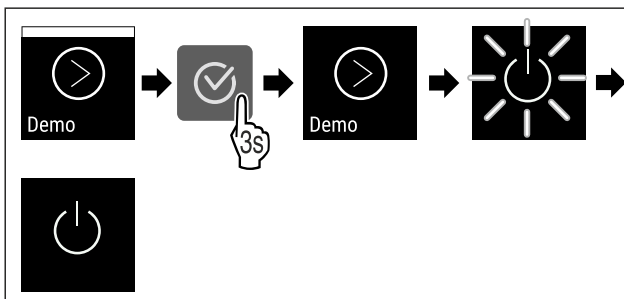


Fig. 135

- ▶ Carry out action steps according to the illustration.
- ▷ Demo mode is deactivated.
- ▷ Appliance is switched off.
- ▶ Switch on the appliance. (see 4.14 Switching on appliance (first use))
- ▷ Appliance is reset to factory settings.

6.2.23 Resetting to factory settings



Use this function to reset all settings to factory defaults. All settings you have made so far are reset to their original settings.

Performing a reset



Fig. 136

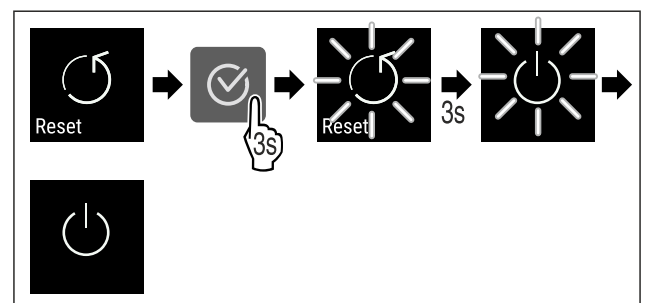


Fig. 137

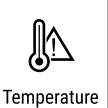


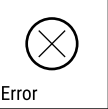

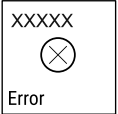




- ▶ Carry out action steps according to the illustration.
- ▷ Device is reset.
- ▷ Device is switched off.
- ▶ Restart the device. (see 4.14 Switching on appliance (first use))

6.3 Messages





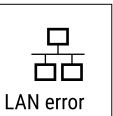

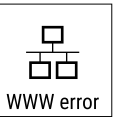

6.3.1 Warnings

Warnings are issued by means of an audio signal and visually via a symbol on the display. The signal gets louder until the warning is acknowledged.

Message	Cause	Remedy
<p>Door open</p> <p>Door open</p>	<p>This message appears if the door is open for too long.</p>	<ul style="list-style-type: none"> ▶ Close door. <ul style="list-style-type: none"> ▶ Press confirmation button. ▶ Alarm is stopped. <p>Note</p> <p>You can set how long it takes for this message to appear (see 6.2.20 Door alarm).</p>

Message	Cause	Remedy
 <p>Temperature</p> <p>Temperature alarm</p>	<p>This message appears if the temperature does not match the set temperature. Reasons for the differences in temperature can be:</p> <ul style="list-style-type: none"> - Warm items for refrigeration have been placed inside. - Too much warm room air flowed in when rearranging and removing refrigerated products. <p>The power was cut off for a prolonged period.</p>	 <ul style="list-style-type: none"> ▶ Press confirmation button. ▶ The highest temperature is shown.  <ul style="list-style-type: none"> ▶ Press confirmation button. ▶ The current temperature flashes and display switches to the temperature alarm symbol until the set temperature is reached. ▶ Check quality of refrigerated items.
 <p>Error</p> <p>Error</p>	<p>The appliance is faulty, there is an appliance error or a component of the appliance has a fault.</p>	<ul style="list-style-type: none"> ▶ Store the refrigerated items elsewhere.  <ul style="list-style-type: none"> ▶ Press confirmation button. <ul style="list-style-type: none"> ▶ Error code is displayed.   <ul style="list-style-type: none"> ▶ Press confirmation button. ▶ A further error code is displayed if there is one. <p>Or</p> <ul style="list-style-type: none"> ▶ Status screen is displayed with flashing  <p>arrow symbol</p> <ul style="list-style-type: none"> ▶ Pressing the navigation buttons displays error code(s) again. ▶ Make a note of error code(s) and contact Customer Service.
 <p>Man. opened</p> <p>Manually opened</p>	<p>This message appears if a door which has been locked electronically is manually opened.</p>	<ul style="list-style-type: none"> ▶ Close door.  <ul style="list-style-type: none"> ▶ Press confirmation button. ▶ Alarm is stopped.

Features

 <p>WiFi error</p> <p>WiFi error</p>	<p>WiFi connection is interrupted.</p>	<p>► Check connection.</p>  <p>► Press confirmation button. ► Alarm is stopped.</p>
 <p>WWW error</p> <p>WWW error, WiFi</p>	<p>This message appears if there is no internet connection via WiFi.</p>	<p>► Check connection.</p>  <p>► Press confirmation button. ► Alarm is stopped.</p>
 <p>LAN error</p> <p>LAN error</p>	<p>LAN connection is interrupted.</p>	<p>► Check connection and network cable.</p>  <p>► Press confirmation button. ► Alarm is stopped.</p>
 <p>WWW error</p> <p>WWW error, LAN</p>	<p>This message appears if there is no internet connection via LAN.</p>	<p>► Check connection.</p>  <p>► Press confirmation button. ► Alarm is stopped.</p>

7 Features

7.1 Safety lock

The appliance is fitted with an electronic lock.

Possible functions:

- Locking and unlocking the door lock using the door code. (see 6.2.7 Door lock)
- Activating and deactivating automatic locking of the door. (see 6.2.7 Door lock)
- Operation via remote control. (see 6.2.10 Remote control)

7.1.1 Emergency unlocking

In the event of a power failure, the door can be opened using the emergency unlocking key.

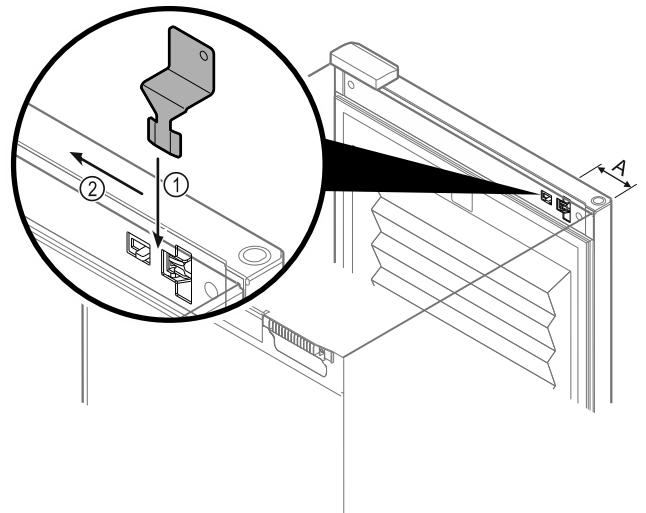


Fig. 138

- Position the emergency unlocking key in the location shown Fig. 138 (A) \approx 100mm.
- Insert the emergency unlocking key from above between the door and the appliance body as far as it will go Fig. 138 (1).
- Drag the emergency unlocking key towards the hinge side Fig. 138 (2).
- ▷ The lock is unlocked. The door can be opened.

7.2 Remote control

The remote control allows the door lock to be engaged and unlocked remotely.

It must be linked to the appliance before use. (see 6.2.10 Remote control)

The battery can be replaced.

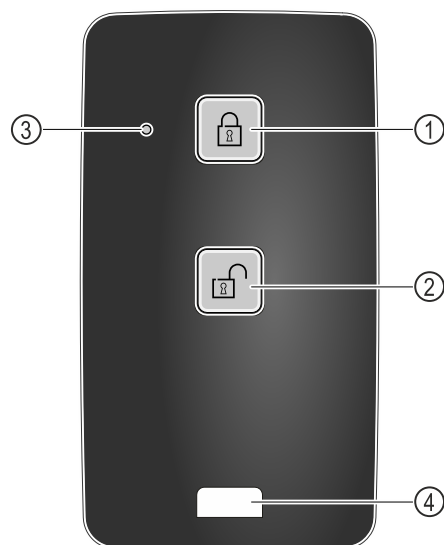


Fig. 139

- (1) Engage lock
- (2) Unlock lock
- (3) Status LED
- (4) Fastening eyelet

7.2.1 Using remote control

- ▶ Press button Fig. 139 (1) on the remote control.
- ▷ The lock is engaged. The door cannot be opened.
- ▶ Press button Fig. 139 (2) on the remote control.
- ▷ The lock is unlocked. The door can be opened.
- ▶ Status LED Fig. 139 (3) provides a visual acknowledgement when you press the button.
- ▶ Eyelet Fig. 139 (4) for attaching remote control, for example, to a key ring.

8 Maintenance

8.1 Defrosting appliance



WARNING

Improper defrosting of the appliance!

Injuries and damage.

- ▶ Do not use mechanical equipment or other methods to speed up the defrosting process other than those recommended by the manufacturer.
- ▶ Do not use electrical heating or steam-cleaning appliances, naked flames or defroster sprays to defrost.
- ▶ Do not use sharp objects to remove ice.

Defrosting is performed automatically. The defrost water drains through the opening and evaporates.

To maintain the functionality of the appliance, we recommend defrosting it when there is a high buildup of ice. Icing in the interior is determined by the location (e.g. high humidity), settings on the appliance and incorrect user behaviour.

Manual defrosting:

- ▶ Switch off appliance. (see 6.2.2 Switching appliance on and off)
- ▶ Pull out mains plug.
- ▶ Store refrigerated items elsewhere.

- ▶ Leave appliance door open during defrosting process.
- ▶ Soak up remaining defrost water with a cloth, clean drain opening and the appliance.

8.2 Cleaning the appliance

8.2.1 Preparing



WARNING

Short-circuit hazard due to live parts!
Electric shock or damage to the electronics.

- ▶ **Switch off the appliance.**
- ▶ Pull out mains plug or switch off fuse.



WARNING

Risk of fire

- ▶ Do not damage the refrigeration circuit.

- ▶ Empty the appliance.
- ▶ Pull out the mains plug.
- ▶ Observe the notes on transporting the appliance. (see 4.3 Transporting appliance)

8.2.2 Cleaning housing

NOTICE

Improper cleaning!

Damage to the appliance.

- ▶ Only use soft cleaning cloths and ph-neutral all-purpose cleaners.
- ▶ Do not use abrasive sponges or steel wool which may cause scratches.
- ▶ Do not use any sharp or abrasive cleaning agents, nor any that contain sand, chloride or acid.



WARNING

Risk of injury and damage as a result of hot steam!

Hot steam can lead to burns and can damage the surfaces.

- ▶ Do not use any steam cleaners!

NOTICE

Risk of damage due to short circuit.

- ▶ When cleaning the appliance, make sure no water gets into the electrical components.

- ▶ Wipe the housing down with soft, clean cloth. If very dirty, use lukewarm water with a neutral cleaner. Glass surfaces can also be cleaned with glass cleaner.
- ▶ Clean condenser coil each year. If the condenser coil is not cleaned, this significantly reduces the efficiency of the appliance.

8.2.3 Cleaning fan cover

NOTICE

Risk of damage due to short circuit.

- ▶ When cleaning the appliance, make sure no water gets into the electrical components.

Customer help

NOTICE

Improper cleaning!
Damage to the appliance.

- ▶ Only use soft cleaning cloths and ph-neutral all-purpose cleaners.
- ▶ Do not use abrasive sponges or steel wool which may cause scratches.
- ▶ Do not use any sharp or abrasive cleaning agents, nor any that contain sand, chloride or acid.

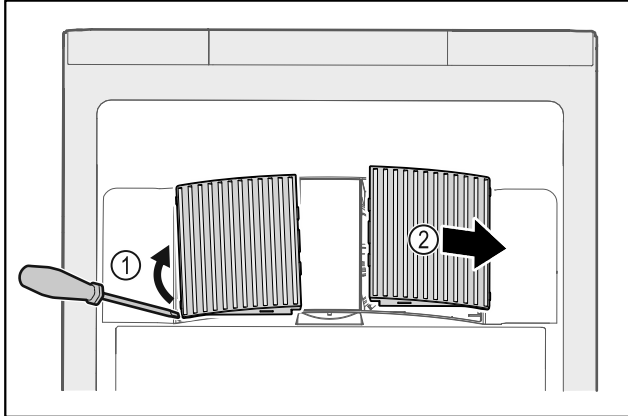


Fig. 140

- ▶ Carefully lever out fan covers from the side Fig. 140 (1) and remove towards the front Fig. 140 (2).
- ▶ Rinse the air slots of the fan covers under running water. If very dirty, use lukewarm water with a neutral cleaner.
- ▶ Leave fan covers to air-dry completely.
- ▶ Reattach fan covers to the appliance.

8.2.4 Cleaning interior



WARNING

Short-circuit hazard due to live parts!
Electric shock or damage to the electronics.

- ▶ **Switch off the appliance.**
- ▶ Pull out mains plug or switch off fuse.



WARNING

Risk of injury and damage as a result of hot steam!
Hot steam can lead to burns and can damage the surfaces.

- ▶ Do not use any steam cleaners!

NOTICE

Improper cleaning!
Damage to the appliance.

- ▶ Only use soft cleaning cloths and ph-neutral all-purpose cleaners.
- ▶ Do not use abrasive sponges or steel wool which may cause scratches.
- ▶ Do not use any sharp or abrasive cleaning agents, nor any that contain sand, chloride or acid.

Note

- ▶ Defrost water drain (see 1.2 Overview of appliance and equipment) : Remove deposits using a thin material (for example a cotton bud).

Note

Do not damage or remove the type plate on the inside of the appliance. The type plate is important for Customer Service. (see 9.3 Customer Service)

- ▶ Open the door.
- ▶ Empty the appliance.

- ▶ Clean interior and equipment parts with lukewarm water and a little detergent. Do not use any gritty or acidic cleaning agent or any chemical solvent.

8.2.5 After cleaning

- ▶ Wipe appliance and equipment parts dry.
- ▶ Connect and switch on appliance.
- ▶ Once the temperature is sufficiently cold: put in items for refrigeration goods.
- ▶ Repeat cleaning regularly.
- ▶ Clean and dust refrigerators with a heat exchanger (metal grille on the rear of the appliance) once per year.

8.3 Replacing the remote control batteries

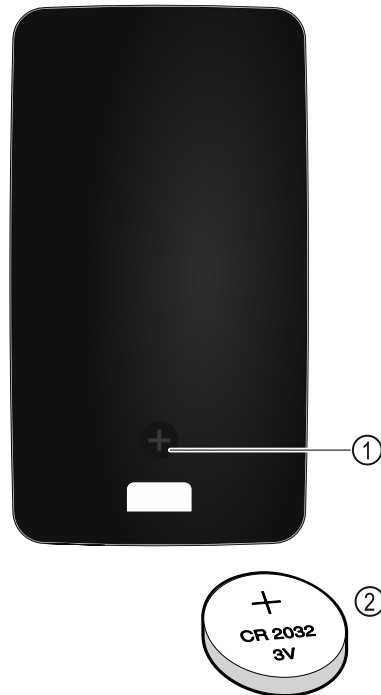


Fig. 141

The remote control is powered by a 3V CR 2032 battery Fig. 141 (2) available from specialist retailers.

8.3.1 Replacing battery

- ▶ Undo screw Fig. 141 (1) on the back of the remote control.
- ▶ Remove rear.
- ▶ Battery compartment is open.
- ▶ Replace battery.
- ▶ Close battery compartment.
- ▶ Screw back together.

Note

- ▶ The battery must be sent for separate waste treatment for batteries and must be disposed of in an expert and proper manner in accordance with the regulations and laws which apply locally. **Do not damage or short circuit the battery!**

9 Customer help

9.1 Technical specifications

Temperature range	
Refrigeration	-2 °C to +15 °C

Maximum load per shelf ^{A)}		
Appliance width	600 mm	750 mm
Grid shelves	45 kg	60 kg
Glass shelf	40 kg	40 kg
Wooden shelf	45 kg	60 kg
Drawer	50 kg	50 kg

A) Heavier loads may result in a slight bending of the shelves.

Maximum net capacity
See net capacity on the type plate. (see 1.2 Overview of appliance and equipment)

Lighting	
Energy efficiency class ^{A)}	Light source
This product contains one or more energy efficiency class F light sources	LED

A) The appliance may contain light sources with different energy efficiency classes. The lowest energy efficiency class is indicated.

9.2 Technical fault

Your appliance is designed and built to ensure it works reliably and has a long service life. In the unlikely event that a fault occurs during operation, please check whether the fault is due to an operating error. If this is the case, you will be charged for the cost incurred even if this falls within the warranty period.

You can fix the following faults yourself.

9.2.1 Appliance function

Defect	Cause	Remedy
The appliance is not working.	→ The appliance is not switched on.	▶ Switch on the appliance.
	→ The mains plug is not properly plugged into the socket.	▶ Check the mains plug.
	→ There is something wrong with the fuse in the socket.	▶ Check fuse.
	→ Power cut	▶ Keep the appliance closed. ▶ The door can be opened using the emergency release key. (see 7.1 Safety lock)
	→ The appliance plug is not properly inserted in the appliance.	▶ Check appliance plug.
Temperature is not cold enough.	→ The appliance door is not closed properly.	▶ Close appliance door.
	→ Ventilation is not sufficient.	▶ Clear ventilation grille and clean it.
	→ The ambient temperature is too high.	▶ Ensure the correct ambient conditions: (see 1.4 Range of use of appliance)
	→ The appliance was opened too many times or for too long.	▶ Wait to see if the appliance goes back to the required temperature by itself. If not, contact Customer Service. (see 9.3 Customer Service)
	→ The temperature is set incorrectly.	▶ Set a colder temperature and check after 24 hours.
	→ The appliance is too close to a heat source (oven, radiator, etc).	▶ Change where the appliance or the heat source are located.
Remote control is not working.	→ The remote control battery is empty.	▶ Replace battery.
	→ The radio connection with the appliance is too weak.	▶ Reduce the distance to the appliance.
	→ Remote control not paired.	▶ Pair remote control again: (see 6.2.10 Remote control)
	→ Remote control is faulty.	▶ Contact Customer Service. (see 9.3 Customer Service)

9.3 Customer Service

First check whether you can remedy the fault yourself . If this is not the case, please contact Customer Service.

You can find the address in the enclosed brochure "Liebherr-Service" or at home.liebherr.com/service.

Shutting down



WARNING

Unprofessional repair!
Injuries.

- ▶ Have any repairs and action - not expressly specified - on the appliance and mains cable carried out by service personnel only. (see 8 Maintenance)
- ▶ A damaged mains cable may only be replaced by the manufacturer, the manufacturer's Customer Service or a similarly qualified person.
- ▶ In the case of appliances with an IEC connector, the change may be made by the customer.

9.3.1 Contacting Customer Service

Make sure you have the following appliance data at the ready:

- Appliance name (model and index)
 - Service no. (Service)
 - Serial no. (S no.)
 - ▶ Access the appliance information via the display (see 6.2.17 Device information).
- or-**
- ▶ Refer to the type plate for appliance information. (see 9.4 Type plate)
 - ▶ Note down appliance information.
 - ▶ Inform Customer Service: Report faults and the appliance information.
 - ▷ This will help us to provide a fast and focussed service.
 - ▶ Follow any further instructions provided by Customer Service.

9.4 Type plate

The type plate is inside the appliance. See appliance overview.

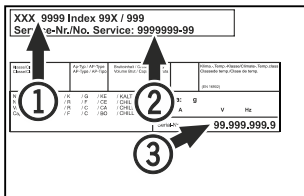


Fig. 142

- (1) Appliance designation (3) Serial No.
(2) Service No.

10 Shutting down

- ▶ Empty the appliance.
- ▶ Switch off the appliance.
- ▶ Pull out the mains plug.
- ▶ Remove appliance connector if required: remove and at the same time move from left to right.
- ▶ Clean appliance (see 8.2 Cleaning the appliance) .
- ▶ Leave the door open so that no bad odours form.

Note

Damage to the appliance and malfunctions!

- ▶ After shutting down, only store the appliance at the permitted room temperature of between -10 °C and +50 °C.

11 Disposal

11.1 Preparing appliance for disposal



Li-Ion

Liebherr uses batteries in some of its appliances. In the EU, for environmental reasons, legislation obliges the end user to remove these batteries before disposing of old appliances. If your appliance contains batteries, a corresponding notice is attached.

Lamps

If you can remove the lamps yourself without destroying them, also remove these before disposal.

- ▶ Take the appliance out of operation.
- ▶ Appliances with batteries: remove the batteries. For description, see **Maintenance** chapter.
- ▶ If possible: remove lamps without destroying them.

11.2 Disposing of the appliance in an environmentally friendly manner



The appliance still contains valuable materials and must be disposed of separately from unsorted municipal waste.



Li-Ion



Li-Ion

Dispose of batteries separately from the old appliance. To do this, you can return the batteries free of charge to retailers as well as recycling centres and collection centres for recyclable materials.

Lamps

Dispose of removed lamps via the respective collection systems.

For Germany:

You can dispose of the appliance free of charge via the class 1 collection containers at the local recycling and recyclable material collection centres. When purchasing a new fridge/freezer, if the sales area > 400 m², retailers will also take back the old appliance free of charge.



WARNING

Leaking coolant and oil!

Fire. The coolant contained in the appliance is eco-friendly, but also flammable. The oil contained in the appliance is flammable. Escaping coolant and oil can ignite if the concentration is high enough and in contact with an external heat source.

- ▶ Do not damage the pipelines of the coolant circuit and the compressor.

- ▶ Transport the appliance without damaging it.
- ▶ Dispose of batteries, lamps and the appliance according to the above specifications.

12 Additional information

Further information on warranty conditions can be found in the enclosed service brochure or on the Internet at <https://home.liebherr.com>.



home.liebherr.com/fridge-manuals

EN Beverage cooler
ORIGINAL OPERATOR'S MANUAL

Issue date: 20240131

Part number index: 7085896-00

Liebherr-Hausgeräte Ochsenhausen GmbH
Memminger Straße 77-79
88416 Ochsenhausen
Deutschland