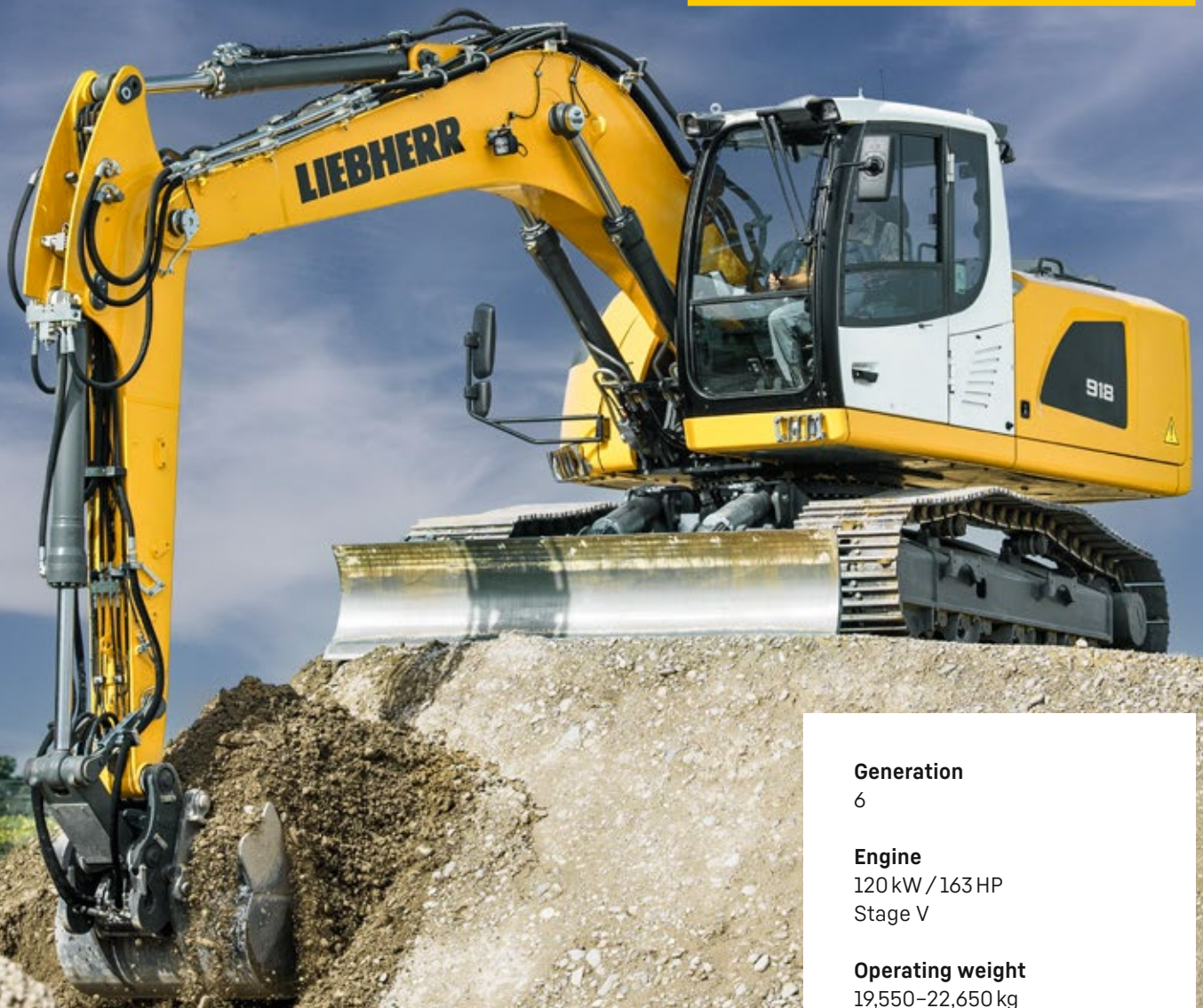

R 918

Litronic

LIEBHERR

Crawler excavator



Generation

6

Engine

120 kW / 163 HP

Stage V

Operating weight

19,550–22,650 kg

Bucket capacity

0.55–1.15 m³

Experience the progress

R 918

① Equipment

- Large choice of types and sizes of equipment
- Longer lifespan of components and higher productivity thanks to automatic centralised lubrication system
- Safety check valves for hoist and stick cylinders

② Comfort

- Spacious, air-conditioned work space
- Airsprung seat with vertical and horizontal suspension
- Easy-to-use high resolution 9" colour touchscreen
- Completely retractable front cab window

③ Undercarriage

- Robust X-frame undercarriage, easy to secure thanks to its integrated eyelets
- Easy maintenance
- Several combinations of undercarriage and blades / support blades available
- Extra storage as an option
- Maintenance-free travel gear and track rollers with lifetime lubrication

④ Safety

- Panoramic visibility with no obstructions and camera on the rear and the right side equipment for enhanced safety
- Lifiable console for easy and safe access to cab
- ROPS certified cab structure: rollover protection
- Emergency exit via the rear cab window
- Right window and windshield in laminated and tinted glass



⑤ Engine

- New engine that conforms with the Stage V European exhaust emissions standard
- Automatic idle-stop

⑥ Maintenance

- Servicing concept, with service points accessible from ground level
- Engine oil level and filling nozzle accessible from ground level
- Standard shut-off valve on hydraulic tank outlet



Technical data



Engine

Rating per ISO 9249	120 kW (163 HP) at 1,800 RPM
Torque	682 Nm at 1,400 RPM
Model	D924 A7-05 – FPT motor designed for Liebherr
Type	4 cylinder in-line
Bore	104 mm
Stroke	132 mm
Displacement	4.5 l
Engine operation	4-stroke diesel Common-Rail Turbo-charged and after-cooler
Exhaust gas treatment	Stage V DOC + DPF + SCR Passive regeneration by thermo management Particle filter
Option	
Cooling system	Water-cooled and integrated motor oil cooler
Air cleaner	Dry-type air cleaner with pre-cleaner, primary and safety elements
Fuel tank	368 l
Urea tank	46 l
Electrical system	
Voltage	24 V
Batteries	2 x 135 Ah / 12 V
Alternator	Three-phase current 28 V / 140 A
Engine idling	Sensor controlled



Hydraulic controls

Power distribution	Via control valves with integrated safety valves, simultaneous and independent actuation of undercarriage, swing drive and equipment
Servo circuit	
Equipment and swing	Proportional via joystick levers
Travel	– Proportional control via foot pedals or removable levers – Speed pre-selection
Additional functions	Proportional regulation via foot pedals or mini-joystick



Hydraulic system

Hydraulic pump	Liebherr, variable displacement, swashplate pump
Max. flow	390 l/min.
Max. pressure	350 bar
Hydraulic pump regulation and control	Liebherr-Synchron-Comfort-system (LSC) with electronic engine speed sensing regulation, pressure and flow compensation, torque controlled swing drive priority
Hydraulic tank	170 l
Hydraulic system	max. 350 l
Filtration	1 main return filter with integrated partial micro filtration (5 µm)
Cooling system	Compact cooling system comprising cooling unit for water, hydraulic oil and charge air with stepless, thermostatically controlled fan
MODE selection	Adjustment of engine and hydraulic performance via a mode pre-selector to match application, e.g. for especially economical and environmentally friendly operation or for maximum digging performance and heavy-duty jobs
Engine speed and performance setting	Stepless adjustment of engine output and hydraulic power via engine speed



Swing drive

Drive	Liebherr swashplate motor with integrated brake valve and torque control
Transmission	Liebherr compact planetary reduction gears
Swing ring	Liebherr, sealed race ball bearing swing ring, internal teeth
Swing speed	0-10.0 RPM stepless
Swing torque	51 kNm
Holding brake	Wet multi-disc (spring applied, pressure released)


Cab

Cab	ROPS safety cab structure (roll-over protection system according to ISO 12117-2:2008) with windscreen, totally or partially retractable (only upper part), under cab roof, LED work headlights integrated in the ceiling, a door with a sliding window (can be opened on both sides), large storing box and several stowing possibilities, shock-absorbing suspension, laminated right hand side and roof windows, all windows tinted, separate extensible window shades for the sunroof window and windscreen, cigarette lighter and 24 V plug, 12 V plug, cup holder
Operator's seat	Liebherr-Comfort seat, airsprung with automatic weight adjustment, vertical and longitudinal seat damping including consoles and joysticks. Seat and armrests adjustable separately and in combination (adjustable in length, height and inclination), seat heating as standard
Arm consoles	Oscillating consoles with seat, tiltable console left
Operation and displays	Large high-resolution operating unit, intuitive, colour display with touchscreen, video-compatible, numerous setting, control and monitoring options, e.g. air conditioning control, fuel consumption, machine and attachment parameters
Air-conditioning	Automatic air-conditioning, recirculated air function, fast de-icing and demisting at the press of a button, air vents can be operated via a menu. Recirculated air and fresh air filters can be easily replaced and are accessible from the outside. Heating-cooling unit, designed for extreme outside temperatures, sensors for solar radiation, inside and outside temperatures The air conditioning system contains fluorinated greenhouse gases
Refrigerant	R134a
Global warming potential	1,430
Quantity at 25 °C*	1,260g
CO ₂ equivalent	1.80t
Vibration emission**	
Hand / arm vibrations	< 2.5 m/s ² , according with ISO 5349-1:2001
Whole-body vibrations	< 0.5 m/s ²
Measuring inaccuracy	According with standard EN 12096:1997
Noise emission	
ISO 6396	70 dB(A) = L _{PA} (inside cab)
2000/14/EC	102 dB(A) = L _{WA} (surround noise)


Undercarriage

Versions	
NLC	Gauge 2,000 mm
LC	Standard gauge 2,250 mm
Drive	Liebherr swashplate motor with brake valves on both sides
Transmission	Liebherr compact planetary reduction gear
Maximum travel speed	3.2 km/h low range 6.0 km/h high range
Drawbar pull on crawler	192 kN
Track components	B60, maintenance-free
Track rollers / Carrier rollers	7 / 2
Tracks	Sealed and greased
Track pads	Triple grouser
Holding brake	Wet multi-disc (spring applied, pressure released)
Brake valves	Integrated into travel motor
Lashing eyes	Integrated

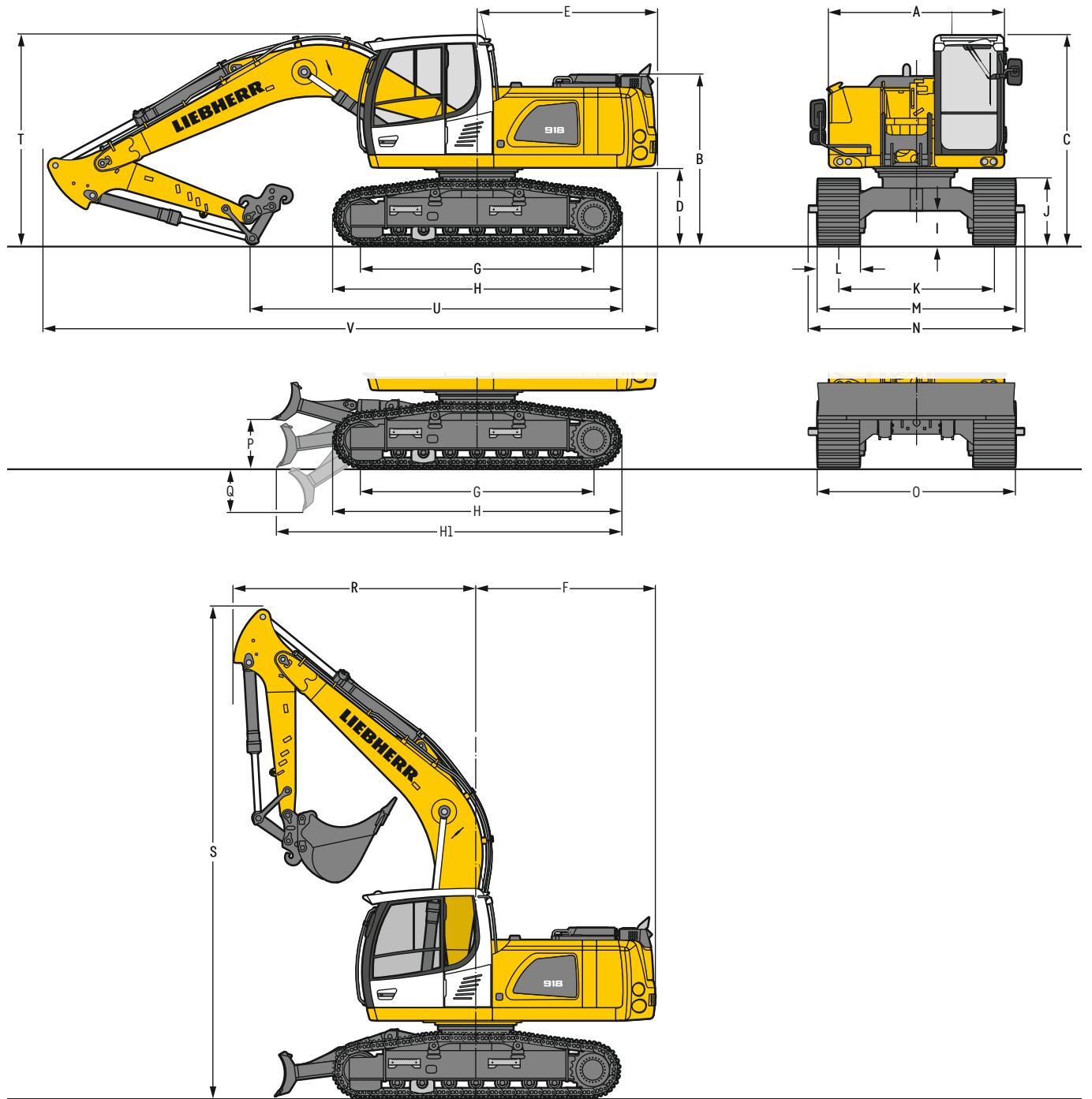

Equipment

Hydraulic cylinders	Liebherr cylinders with seal and guidance systems
Bearings	Sealed, low maintenance
Lubrication	Liebherr central lubrication system

* Valid for standard machine without operator's cab elevation and without height adjustable cab

** For the risk assessment according to 2002/44/EC see ISO/TR 25398:2006

Dimensions



	NLC	mm			NLC with blade	mm			LC	mm			LC with blade	mm			
A	Uppercarriage width	2,525			2,525			2,525			2,525			2,525			
B	Uppercarriage height	2,455			2,455			2,455			2,455			2,455			
C	Cab height	3,030			3,030			3,030			3,030			3,030			
D	Counterweight ground clearance	1,100			1,100			1,100			1,100			1,100			
E	Rear-end length	2,580			2,580			2,580			2,580			2,580			
F	Tail swing radius	2,580			2,580			2,580			2,580			2,580			
G	Wheelbase	3,370			3,370			3,370			3,370			3,370			
H	Undercarriage length	4,150			4,150			4,150			4,150			4,150			
H1	Undercarriage length with blade	-			5,040			-			4,965			-			
I	Undercarriage ground clearance	490			490			490			490			490			
J	Track height	955			955			955			955			955			
K	Track gauge	2,000			2,000			2,250			2,250			2,250			
L	Track pad width	500	600	750	500	600	750	500	600	750	900	500	600	750	900		
M	Width over tracks	2,500	2,600	2,750	2,500	2,600	2,750	2,750	2,850	3,000	3,150	2,750	2,850	3,000	3,150		
N	Width over steps	2,490	2,660 ¹⁾	2,660 ¹⁾	2,490	2,660 ¹⁾	2,660 ¹⁾	2,800	2,800	3,000 ¹⁾	3,100 ¹⁾	2,800	2,800	3,000 ¹⁾	3,100 ¹⁾		
O	Blade width	-			2,500	2,600	2,850	-			-			2,850	2,850	3,000	-
P	Max. blade height	-			685			-			-			685			
Q	Max. blade depth	-			635			-			-			635			

¹⁾ width with removable steps

	Stick length	Mono boom 5.20 m	Two-piece boom 5.40 m	Mono boom offset 5.20 m	
	m	with quick coupler	with quick coupler	with quick coupler	
		mm	mm	mm	
R	Front swing radius	2.25	3,550	2,900	3,250
		2.45	3,550	2,950	3,250
		2.65	3,550	3,000	3,300
		3.05	3,550	2,600	3,300
S	Height with boom up	7,100	7,850	7,300	
		3,050	3,050	3,100	
T	Boom height	2.25	3,100	3,100	3,200
		2.45	3,100	3,100	3,200
		2.65	3,150	3,150	3,250
		3.05	2,950	3,000	3,000
U	Length on ground	2.25	5,350	6,000	5,500
		2.45	5,200	5,850	5,400
		2.65	5,050	5,750	5,300
		3.05	6,750	5,000	4,450
V	Overall length	8,900	9,200	8,900	
		1.00 m ³	1.00 m ³	1.00 m ³	

Transport dimensions

removable elements disassembled

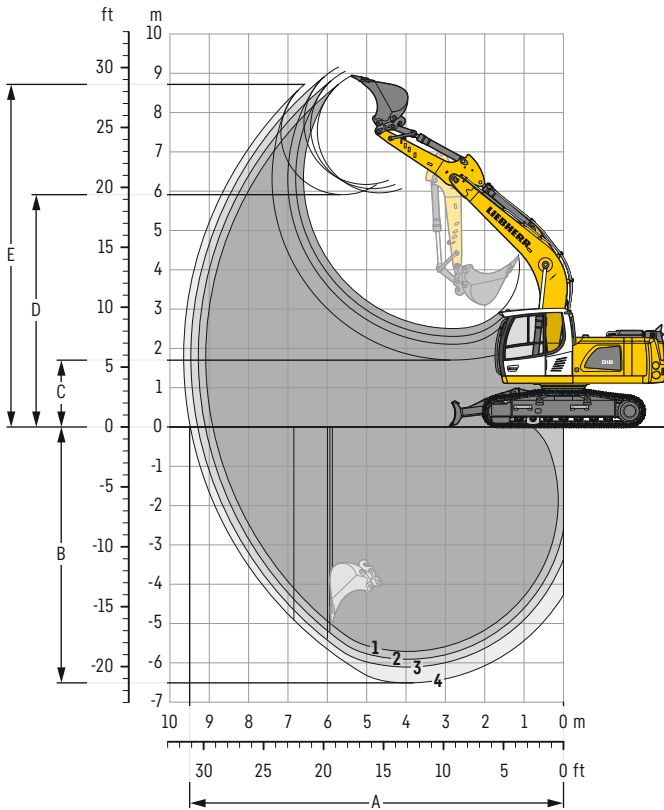
	Undercarriage	Mono boom 5.20 m				Two-piece boom 5.40 m				Mono boom offset 5.20 m			
		mm				mm				mm			
Pad width		500	600	750	900	500	600	750	900	500	600	750	900
Transport width	NLC	2,525	2,600	2,750/2,850 ¹⁾	-	2,525	2,600	2,750/2,850 ¹⁾	-	2,525	2,600	2,750/2,850 ¹⁾	-
	LC	2,750/2,850 ¹⁾	2,850	3,000	3,150	2,750/2,850 ¹⁾	2,850	3,000	3,150	2,750/2,850 ¹⁾	2,850	3,000	3,150

	Undercarriage / Stick	NLC / LC		NLC / LC		NLC / LC	
	m	mm		mm		mm	
Transport length		8,900		9,200		8,900	
Transport height	2.25	3,050		3,050		3,100	
	2.45	3,100		3,100		3,200	
	2.65	3,150		3,150		3,250	
	3.05	3,030		3,030		3,030	

¹⁾ with blade

Backhoe bucket

with mono boom 5.20 m



Digging envelope

with quick coupler	1	2	3	4	
Stick length	m	2.25	2.45	2.65	3.05
A Max. reach at ground level	m	8.91	9.10	9.29	9.48
B Max. digging depth	m	5.71	5.91	6.11	6.51
C Min. dumping height	m	2.51	2.31	2.11	1.71
D Max. dumping height	m	6.17	6.06	5.96	5.91
E Max. cutting height	m	8.94	9.04	9.15	8.72

Forces

without quick coupler	1	2	3	4	
Stick digging force (ISO 6015)	kN	101	96	91	82
Bucket digging force (ISO 6015)	kN	135	135	135	135
Stick digging force (SAE J1179)	kN	96	91	87	79
Bucket digging force (SAE J1179)	kN	118	118	118	118

Operating weight and ground pressure

The operating weight includes the basic machine with counterweight 3.1t, mono boom 5.20 m, stick 2.65 m, quick coupler SWA 48 and bucket 1.00 m³ (715 kg).

Undercarriage	NLC			
Pad width	mm	500	600	750
Weight	kg	19,550	19,800	20,200
Ground pressure	kg/cm ²	0.54	0.45	0.37

Undercarriage	NLC with blade			
Pad width	mm	500	600	750
Weight	kg	21,100	21,350	21,750
Ground pressure	kg/cm ²	0.58	0.49	0.40

Undercarriage	LC			
Pad width	mm	500	600	750
Weight	kg	19,600	19,850	20,250
Ground pressure	kg/cm ²	0.54	0.45	0.37

Undercarriage	LC with blade			
Pad width	mm	500	600	750
Weight	kg	21,200	21,450	21,850
Ground pressure	kg/cm ²	0.58	0.49	0.40

Buckets Machine stability per ISO 10567* (75% of tipping capacity)

	Cutting width mm	Capacity ISO 7451 m ³	Weight ³⁾ kg	Weight ⁴⁾ kg	NLC undercarriage (with track pads 500 mm)				NLC undercarriage with blade (with track pads 500 mm)				LC undercarriage (with track pads 600 mm)				LC undercarriage with blade (with track pads 600 mm)																			
					Stick length (m)								Stick length (m)								Stick length (m)								Stick length (m)							
					without quick coupler				with quick coupler				without quick coupler				with quick coupler				without quick coupler				with quick coupler				without quick coupler				with quick coupler			
STD ¹⁾	2.25	2.45	2.65	3.05	2.25	2.45	2.65	3.05	2.25	2.45	2.65	3.05	2.25	2.45	2.65	3.05	2.25	2.45	2.65	3.05	2.25	2.45	2.65	3.05	2.25	2.45	2.65	3.05	2.25	2.45	2.65	3.05				
	650	0.55	480	515	▲	▲	▲	▲	▲	▲	▲	▲	▲	▲	▲	▲	▲	▲	▲	▲	▲	▲	▲	▲	▲	▲	▲	▲	▲	▲	▲	▲				
	850	0.60	520	550	▲	▲	▲	▲	▲	▲	▲	▲	▲	▲	▲	▲	▲	▲	▲	▲	▲	▲	▲	▲	▲	▲	▲	▲	▲	▲	▲	▲				
	1,050	0.80	600	635	▲	▲	▲	▲	▲	▲	▲	▲	▲	▲	▲	▲	▲	▲	▲	▲	▲	▲	▲	▲	▲	▲	▲	▲	▲	▲	▲	▲				
	1,250	1.00	685	715	▲	■	■	▲	■	▲	▲	■	▲	▲	▲	■	▲	▲	▲	▲	▲	▲	▲	■	▲	▲	▲	▲	▲	▲	▲	▲				
	1,400	1.15	755	785	▲	▲	■	△	■	■	△	△	■	■	▲	▲	■	▲	■	■	▲	■	■	▲	■	■	▲	▲	▲	▲	■	■				
	650	0.55	545	575	▲	▲	▲	▲	▲	▲	▲	▲	▲	▲	▲	▲	▲	▲	▲	▲	▲	▲	▲	▲	▲	▲	▲	▲	▲	▲	▲	▲				
	850	0.60	585	615	▲	▲	▲	▲	▲	▲	▲	▲	▲	▲	▲	▲	▲	▲	▲	▲	▲	▲	▲	▲	▲	▲	▲	▲	▲	▲	▲	▲				
	1,050	0.80	675	705	▲	▲	▲	▲	▲	▲	▲	■	▲	▲	▲	▲	▲	▲	▲	▲	▲	▲	▲	▲	▲	▲	▲	▲	▲	▲	▲	▲				
	1,250	1.00	770	800	■	■	▲	▲	■	▲	■	■	▲	▲	■	■	▲	▲	▲	▲	▲	▲	■	■	▲	▲	▲	▲	▲	▲	▲	▲				
	1,400	1.15	850	880	▲	■	△	△	■	△	△	△	■	▲	▲	■	▲	■	■	▲	■	▲	▲	■	▲	▲	▲	■	▲	▲	■	■				

* Indicated loads are based on ISO 10567, at maximum reach, and may be swung 360° on firm and even ground

¹⁾ Standard bucket with teeth Z 35

²⁾ HD bucket with teeth Z 35

³⁾ Bucket for direct mounting

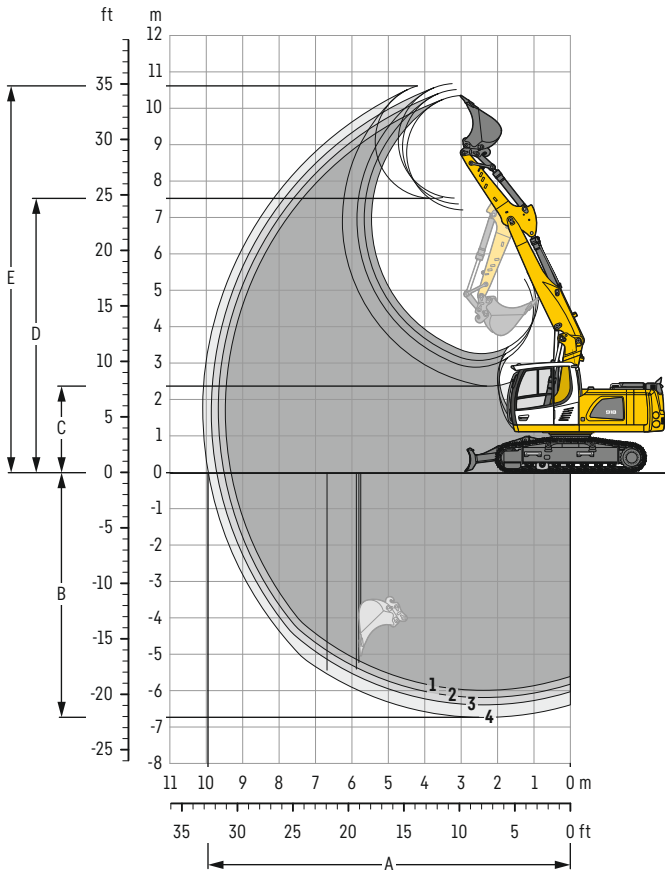
⁴⁾ Bucket for mounting to quick coupler

Other buckets available upon request

Max. material weight ▲ = ≤ 2.0t/m³, ■ = ≤ 1.8t/m³, ▲ = ≤ 1.65t/m³, ■ = ≤ 1.5t/m³, △ = ≤ 1.2t/m³

Backhoe bucket

with two-piece boom 5.40 m



Digging envelope

with quick coupler		1	2	3	4
Stick length	m	2.25	2.45	2.65	3.05
A Max. reach at ground level	m	9.32	9.52	9.71	9.95
B Max. digging depth	m	5.99	6.19	6.39	6.74
C Min. dumping height	m	3.26	3.07	2.89	2.37
D Max. dumping height	m	7.21	7.37	7.53	7.52
E Max. cutting height	m	10.34	10.51	10.68	10.61

Forces

without quick coupler		1	2	3	4
Stick digging force (ISO 6015)	kN	101	96	91	82
Bucket digging force (ISO 6015)	kN	135	135	135	135
Stick digging force (SAE J1179)	kN	96	91	87	79
Bucket digging force (SAE J1179)	kN	118	118	118	118

Operating weight and ground pressure

The operating weight includes the basic machine with counterweight 3.1t, two-piece boom 5.40 m, stick 2.65 m, quick coupler SWA 48 and bucket 1.00 m³ (715 kg).

Undercarriage		NLC		
Pad width	mm	500	600	750
Weight	kg	20,350	20,600	21,000
Ground pressure	kg/cm ²	0.56	0.47	0.39

Undercarriage		NLC with blade		
Pad width	mm	500	600	750
Weight	kg	21,900	22,150	22,550
Ground pressure	kg/cm ²	0.60	0.51	0.41

Undercarriage		LC		
Pad width	mm	500	600	750
Weight	kg	20,400	20,650	21,050
Ground pressure	kg/cm ²	0.56	0.47	0.39

Undercarriage		LC with blade		
Pad width	mm	500	600	750
Weight	kg	22,000	22,250	22,650
Ground pressure	kg/cm ²	0.60	0.51	0.41

Buckets Machine stability per ISO 10567* (75% of tipping capacity)

	Cutting width mm	Capacity ISO 7451 m ³	Weight ³⁾ kg	Weight ⁴⁾ kg	NLC undercarriage (with track pads 500 mm)								NLC undercarriage with blade (with track pads 500 mm)								LC undercarriage (with track pads 600 mm)								LC undercarriage with blade (with track pads 600 mm)							
					Stick length (m)				Stick length (m)				Stick length (m)				Stick length (m)				Stick length (m)				Stick length (m)											
					without quick coupler		with quick coupler		without quick coupler		with quick coupler		without quick coupler		with quick coupler		without quick coupler		with quick coupler		without quick coupler		with quick coupler		without quick coupler		with quick coupler									
2.25	2.45	2.65	3.05	2.25	2.45	2.65	3.05	2.25	2.45	2.65	3.05	2.25	2.45	2.65	3.05	2.25	2.45	2.65	3.05	2.25	2.45	2.65	3.05	2.25	2.45	2.65	3.05									
STD ¹⁾	650	0.55	480	515	▲	▲	▲	▲	▲	▲	▲	▲	▲	▲	▲	▲	▲	▲	▲	▲	▲	▲	▲	▲	▲	▲	▲	▲								
	850	0.60	520	550	▲	▲	▲	▲	▲	▲	▲	▲	▲	▲	▲	▲	▲	▲	▲	▲	▲	▲	▲	▲	▲	▲	▲	▲								
	1,050	0.80	600	635	▲	▲	■	▲	■	▲	▲	■	▲	▲	▲	▲	▲	▲	▲	▲	▲	▲	▲	■	▲	▲	▲	▲								
	1,250	1.00	685	715	▲	■	▲	▲	▲	▲	▲	-	■	▲	■	■	▲	▲	■	▲	■	▲	■	■	▲	▲	▲	■								
	1,400	1.15	755	785	▲	▲	▲	-	▲	-	-	-	■	▲	▲	▲	▲	▲	▲	-	▲	■	■	▲	■	■	▲	■								
HD ²⁾	650	0.55	545	575	▲	▲	▲	▲	▲	▲	▲	▲	▲	▲	▲	▲	▲	▲	▲	▲	▲	▲	▲	▲	▲	▲	▲	▲								
	850	0.60	585	615	▲	▲	▲	▲	▲	▲	▲	▲	▲	▲	▲	▲	▲	▲	▲	▲	▲	▲	▲	▲	▲	▲	▲	▲								
	1,050	0.80	675	705	▲	■	■	▲	■	▲	■	▲	▲	▲	▲	■	▲	▲	▲	■	▲	▲	▲	■	▲	▲	▲	▲								
	1,250	1.00	770	800	■	▲	▲	▲	▲	▲	▲	-	■	▲	■	▲	■	■	▲	■	▲	▲	■	■	▲	▲	■	▲								
	1,400	1.15	850	880	▲	▲	-	-	-	-	-	-	■	▲	▲	▲	▲	▲	-	-	▲	■	▲	▲	■	▲	▲	■								

* Indicated loads are based on ISO 10567, at maximum reach, and may be swung 360° on firm and even ground

¹⁾ Standard bucket with teeth Z 35

²⁾ HD bucket with teeth Z 35

³⁾ Bucket for direct mounting

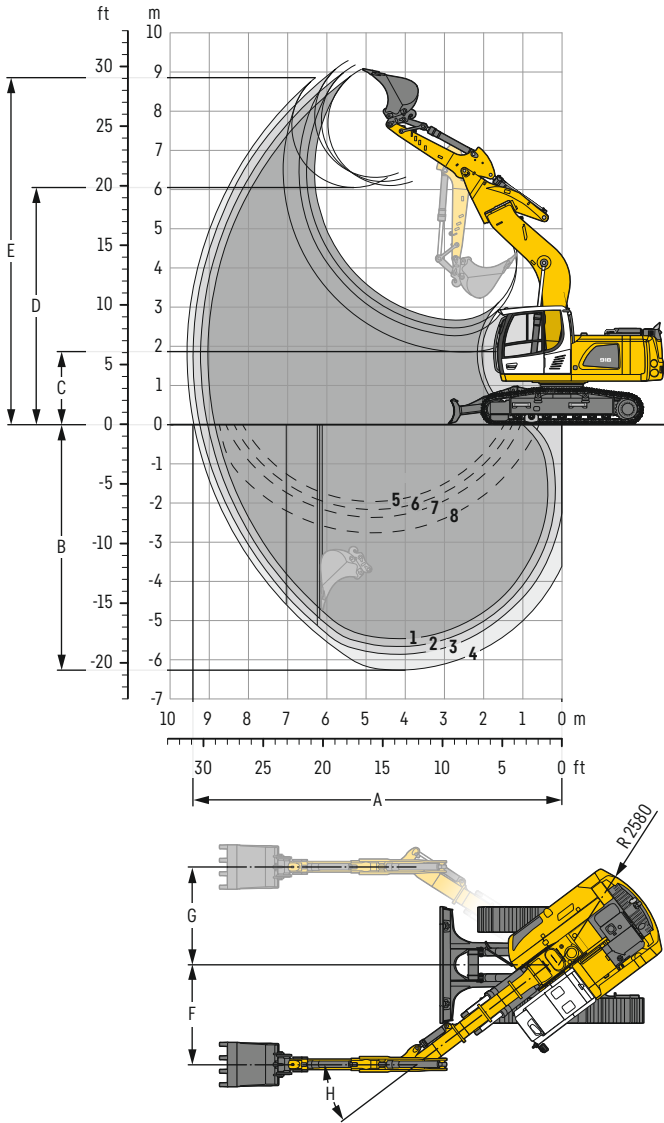
⁴⁾ Bucket for mounting to quick coupler

Other buckets available upon request

Max. material weight ▲ = ≤ 2.0t/m³, ■ = ≤ 1.8t/m³, ▲ = ≤ 1.65t/m³, ■ = ≤ 1.5t/m³, ▲ = ≤ 1.2t/m³, - = not authorised

Backhoe bucket

with mono boom offset 5.20 m



Digging envelope

with quick coupler	1	2	3	4	
Stick length	m	2.25	2.45	2.65	3.05
A Max. reach at ground level	m	8.85	9.04	9.23	9.39
B Max. digging depth	m	5.47	5.67	5.87	6.27
C Min. dumping height	m	2.67	2.47	2.27	1.86
D Max. dumping height	m	6.31	6.21	6.10	6.05
E Max. cutting height	m	9.08	9.18	9.29	8.86
F Max. offset right	m	2.44			
G Max. offset left	m	2.41			
H Max. offset angle	°	37			

1 with stick 2.25 m
 2 with stick 2.45 m
 3 with stick 2.65 m
 4 with stick 3.05 m
 with set straight boom

5 with stick 2.25 m
 6 with stick 2.45 m
 7 with stick 2.65 m
 8 with stick 3.05 m
 at max. equipment offset with vertical ditch walls

Forces

without quick coupler	1	2	3	4	
Stick digging force (ISO 6015)	kN	101	96	91	82
Bucket digging force (ISO 6015)	kN	135	135	135	135
Stick digging force (SAE J1179)	kN	96	91	87	79
Bucket digging force (SAE J1179)	kN	118	118	118	118

Operating weight and ground pressure

The operating weight includes the basic machine with counterweight 3.1t, mono boom offset 5.20m, stick 2.65m, quick coupler SWA 48 and bucket 1.00 m³ (715 kg).

Undercarriage	NLC			
Pad width	mm	500	600	750
Weight	kg	20,150	20,400	20,800
Ground pressure	kg/cm ²	0.55	0.47	0.38

Undercarriage	NLC with blade			
Pad width	mm	500	600	750
Weight	kg	21,700	21,950	22,350
Ground pressure	kg/cm ²	0.59	0.50	0.41

Undercarriage	LC			
Pad width	mm	500	600	750
Weight	kg	20,200	20,450	20,850
Ground pressure	kg/cm ²	0.55	0.47	0.38

Undercarriage	LC with blade			
Pad width	mm	500	600	750
Weight	kg	21,800	22,050	22,450
Ground pressure	kg/cm ²	0.59	0.50	0.41

Buckets Machine stability per ISO 10567* (75% of tipping capacity)

	Cutting width mm	Capacity ISO 7451 m ³	Weight ³⁾ kg	Weight ⁴⁾ kg	NLC undercarriage (with track pads 500 mm)								NLC undercarriage with blade (with track pads 500 mm)								LC undercarriage (with track pads 600 mm)								LC undercarriage with blade (with track pads 600 mm)							
					Stick length (m)				Stick length (m)				Stick length (m)				Stick length (m)				Stick length (m)				Stick length (m)											
					without quick coupler		with quick coupler		without quick coupler		with quick coupler		without quick coupler		with quick coupler		without quick coupler		with quick coupler		without quick coupler		with quick coupler		without quick coupler		with quick coupler									
2.25	2.45	2.65	3.05	2.25	2.45	2.65	3.05	2.25	2.45	2.65	3.05	2.25	2.45	2.65	3.05	2.25	2.45	2.65	3.05	2.25	2.45	2.65	3.05	2.25	2.45	2.65	3.05									
STD ¹⁾	650	0.55	480	515	▲	▲	▲	▲	▲	▲	▲	▲	▲	▲	▲	▲	▲	▲	▲	▲	▲	▲	▲	▲	▲	▲	▲	▲								
	850	0.60	520	550	▲	▲	▲	▲	▲	▲	▲	▲	▲	▲	▲	▲	▲	▲	▲	▲	▲	▲	▲	▲	▲	▲	▲	▲								
	1,050	0.80	600	635	▲	▲	▲	▲	▲	▲	■	■	▲	▲	▲	▲	▲	▲	▲	▲	▲	▲	▲	▲	▲	▲	▲	▲								
	1,250	1.00	685	715	■	▲	▲	■	▲	■	■	■	▲	■	■	■	■	■	▲	■	▲	▲	■	■	▲	▲	▲	▲								
	1,400	1.15	755	785	■	■	▲	▲	▲	▲	▲	▲	▲	■	■	■	▲	■	▲	▲	■	▲	■	■	▲	▲	■	■								
HD ²⁾	650	0.55	545	575	▲	▲	▲	▲	▲	▲	▲	▲	▲	▲	▲	▲	▲	▲	▲	▲	▲	▲	▲	▲	▲	▲	▲	▲								
	850	0.60	585	615	▲	▲	▲	▲	▲	▲	▲	▲	▲	▲	▲	▲	▲	▲	▲	▲	▲	▲	▲	▲	▲	▲	▲	▲								
	1,050	0.80	675	705	▲	▲	▲	▲	▲	▲	■	■	▲	▲	▲	▲	▲	▲	▲	▲	▲	▲	▲	▲	▲	▲	▲	▲								
	1,250	1.00	770	800	■	▲	■	■	▲	■	▲	▲	▲	■	■	■	■	▲	■	■	▲	▲	■	■	▲	▲	▲	▲								
	1,400	1.15	850	880	■	▲	▲	▲	▲	▲	▲	▲	▲	■	■	■	■	▲	▲	▲	▲	▲	■	■	▲	▲	▲	▲								

* Indicated loads are based on ISO 10567, at maximum reach, and may be swung 360° on firm and even ground

¹⁾ Standard bucket with teeth Z 35

²⁾ HD bucket with teeth Z 35

³⁾ Bucket for direct mounting

⁴⁾ Bucket for mounting to quick coupler

Other buckets available upon request

Max. material weight ▲ = ≤ 2.0t/m³, ■ = ≤ 1.8t/m³, ▲ = ≤ 1.65t/m³, ■ = ≤ 1.5t/m³, ▲ = ≤ 1.2t/m³, - = not authorised

Stick 2.65 m

Under-carriage	m	3.0m		4.5m		6.0m		7.5m		m		
NLC ¹⁾	7.5									3.4* 3.4*	5.3	
	6.0									3.0* 3.0*	6.6	
	4.5									2.5 2.9*	7.4	
	3.0									2.2 2.9*	7.8	
	1.5			5.2 7.9*					2.4 4.0		2.2 3.1*	7.9
	0	5.4* 5.4*		4.5 8.3					2.2 3.9		2.2 3.5*	7.7
NLC ¹⁾ Blade up	-1.5	8.2 9.4*		4.4 8.2				2.4 4.1		2.4 4.1	7.2	
	-3.0	8.4 11.8*		4.5 8.3				2.9 5.1		2.9 5.1	6.2	
	-4.5							5.0 5.3*		5.0 5.3*	4.4	
	7.5									3.4* 3.4*	5.3	
	6.0									3.0* 3.0*	6.6	
	4.5									2.7 2.9*	7.4	
NLC ¹⁾ Blade down	3.0							2.6 4.1		2.4 2.9*	7.8	
	1.5			5.5 7.9*				2.5 4.0		2.3 3.1*	7.9	
	0	5.4* 5.4*		4.8 8.4				2.4 3.9		2.4 3.5*	7.7	
	-1.5	8.8 9.4*		4.8 8.3				2.6 4.1*		2.6 4.1*	7.2	
	-3.0	9.0 11.8*		4.8 8.4				3.2 5.2		3.2 5.2	6.2	
	-4.5							5.3* 5.3*		5.3* 5.3*	4.4	
LC	7.5									3.4* 3.4*	5.3	
	6.0									3.0* 3.0*	6.6	
	4.5									2.9 2.9*	7.4	
	3.0							2.8 4.1		2.6 2.9*	7.8	
	1.5			6.0 7.9*				2.7 4.0		2.5 3.1*	7.9	
	0	5.4* 5.4*		5.5 8.7				2.6 3.9		2.5 3.5*	7.7	
LC Blade up	-1.5	9.3 9.4*		5.3 8.4				2.8 4.1		2.8 4.1*	7.2	
	-3.0	10.0 11.8*		5.3 8.4				3.4 5.2		3.4 5.2	6.2	
	-4.5							5.3* 5.3*		5.3* 5.3*	4.4	
	7.5									3.4* 3.4*	5.3	
	6.0									3.0* 3.0*	6.6	
	4.5									2.9 2.9*	7.4	
LC Blade down	3.0							3.0 4.2		2.8 2.9*	7.8	
	1.5			6.4 7.9*				2.9 4.1		2.7 3.1*	7.9	
	0	5.4* 5.4*		6.0 8.9				2.8 4.0		2.7 3.5*	7.7	
	-1.5	9.4* 9.4*		5.7 8.6				3.0 4.2		3.0 4.1*	7.2	
	-3.0	10.9 11.8*		5.7 8.4				3.7 5.3		3.7 5.3	6.2	
	-4.5							5.3* 5.3*		5.3* 5.3*	4.4	

Stick 3.05 m

Under-carriage	m	3.0m		4.5m		6.0m		7.5m		m		
NLC ¹⁾	7.5									2.7* 2.7*	5.6	
	6.0									2.5* 2.5*	6.8	
	4.5									2.4 2.4*	7.6	
	3.0									2.2 2.5*	8.0	
	1.5			9.7 11.2*					2.4 4.0		2.0 2.7*	8.1
	0	7.1* 7.1*		5.2 7.4*					2.2 3.8		2.1 3.1*	7.9
NLC ¹⁾ Blade up	-1.5	8.0 9.9*		4.4 8.1				2.9 5.2		2.2 3.9*	7.4	
	-3.0	8.2 12.7*		4.4 8.2				3.0 5.2		2.7 4.7	6.4	
	-4.5	8.5 9.0*		4.6 6.3*						4.1 5.6*	4.9	
	7.5									2.7* 2.7*	5.6	
	6.0									2.5* 2.5*	6.8	
	4.5									2.4* 2.4*	7.6	
NLC ¹⁾ Blade down	3.0							2.7 2.8*		2.3 2.5*	8.0	
	1.5			10.3 11.2*				2.6 4.1		2.2 2.7*	8.1	
	0	6.8* 6.8*		5.1 8.8				2.4 3.9		2.4 3.9*	7.4	
	-1.5	7.1* 7.1*		4.8 8.4				2.9 5.2		2.9 4.8	6.4	
	-3.0	8.7 9.9*		4.7 8.3				3.2 5.3		4.4 5.6*	4.9	
	-4.5	8.8 12.7*		4.8 8.3								
LC	7.5									2.7* 2.7*	5.6	
	6.0									2.5* 2.5*	6.8	
	4.5									2.4* 2.4*	7.6	
	3.0							2.8 2.8*		2.4 2.5*	8.0	
	1.5			10.9 11.2*				2.7 4.4*		2.3 2.7*	8.1	
	0	6.8* 6.8*		5.4 9.0*				2.6 5.5*		2.3 3.1*	7.9	
LC Blade up	-1.5	7.1* 7.1*		5.1 9.9*				2.5 5.5*		2.6 3.9*	7.4	
	-3.0	9.2 9.9*		5.0 9.8*				3.3 7.2*		3.1 5.5*	6.4	
	-4.5	9.3 12.7*		5.0 8.9*				3.4 6.4*		4.6 5.6*	4.9	
	7.5									2.7* 2.7*	5.6	
	6.0									2.5* 2.5*	6.8	
	4.5									2.4* 2.4*	7.6	
LC Blade down	3.0							2.8 4.1		2.5 2.5*	8.0	
	1.5			11.2* 11.2*				2.7 4.0		2.4 2.7*	8.1	
	0	6.8* 6.8*		6.0 8.8				2.6 3.9		2.6 3.9*	7.4	
	-1.5	7.1* 7.1*		5.6 8.8				2.6 3.9		3.2 4.8	6.4	
	-3.0	9.9 12.7*		5.2 8.3				3.5 5.3		4.8 5.6*	4.9	
	-4.5	9.0* 9.0*		5.4 6.3*								

Height Can be slewed through 360° In longitudinal position of undercarriage Max. reach * Limited by hydr. capacity

The load values are quoted in tons (t) at stick end (without bucket), and may be swung 360° on firm and even ground. Adjacent values are valid for the undercarriage when in the longitudinal position. Capacities are valid for 600 mm wide track pads. Indicated loads are based on ISO 10567 standard and do not exceed 75% of tipping or 87% of hydraulic capacity (indicated via *). Without bucket cylinder, link and lever the lift capacities will increase by 285 kg. Lifting capacity of the excavator is limited by machine stability and hydraulic capacity.

According to European Standard, EN 474-5: In the European Union excavators have to be equipped with an overload warning device, a load diagram and automatic safety check valves on hoist cylinders and stick cylinder(s), when they are used for lifting operations which require the use of lifting accessories.

Determine maximum load lift from load lift chart displayed in the operator's cab or from load lift chart detailed in the operator's manual supplied with the machine.

¹⁾ Values are calculated with 500 mm wide track pads for the NLC-Undercarriage

Lift capacities

with two-piece boom 5.40 m, counterweight 3.1 t and track pads 500 mm / 600 mm

Stick 2.25 m

Under-carriage m	3.0 m		4.5 m		6.0 m		7.5 m		m
9.0									
7.5									
6.0			5.9	6.8*					4.6 4.8*
4.5			5.9	7.0*	3.7	6.1			3.1 4.1*
3.0	10.6	11.6*	5.8	8.2*	3.8	6.0			2.5 3.9*
1.5	10.1	11.6*	5.6	9.1	3.8	6.0	2.4	4.1	2.2 3.8
0	10.0	12.7*	5.6	9.0	3.6	6.0	2.3	4.0	2.1 3.6
-1.5	9.7	15.3*	5.4	9.1	3.4	5.8	2.2	3.9	2.1 3.7
-3.0	9.3	17.2*	5.1	9.2	3.2	5.6			2.3 4.1
-4.5	9.3	17.7*	4.8	8.8	3.1	5.4*			2.9 4.3*
9.0									
7.5			6.2	6.8*					4.8* 4.8*
6.0			6.3	7.0*	3.9	6.2			3.3 4.1*
4.5	11.2	11.6*	6.1	8.2*	4.0	6.1			2.7 3.9*
3.0	10.7	11.6*	6.0	9.2	4.0	6.0	2.6	4.1	2.4 3.8
1.5	10.5	12.7*	5.9	9.1	3.9	6.1	2.5	4.1	2.3 3.7
0	10.3	15.3*	5.7	9.2	3.7	5.9	2.4	4.0	2.3 3.8
-1.5	10.0	17.2*	5.5	9.3	3.4	5.6			2.5 4.2
-3.0	9.9	17.7*	5.2	8.9	3.3	5.4*			3.1 4.3*
9.0									
7.5			6.5	6.8*					4.8* 4.8*
6.0			6.5	7.0*	4.1	6.4*			3.4 4.1*
4.5	11.6*	11.6*	6.4	8.2*	4.2	6.7*			2.8 3.9*
3.0	11.1	11.6*	6.2	9.6*	4.2	7.2*	2.7	6.0*	2.5 3.8*
1.5	11.0	12.7*	6.2	10.5*	4.0	7.6*	2.6	6.0*	2.4 4.0*
0	10.9	15.3*	6.0	10.6*	3.8	7.7*	2.5	5.8*	2.4 4.3*
-1.5	10.5	17.2*	5.7	10.7*	3.6	7.8*			2.7 5.0*
-3.0	10.5	17.7*	5.4	10.4*	3.5	5.4*			3.3 4.3*
9.0									
7.5			6.7	6.8*					4.8* 4.8*
6.0			6.7	7.0*	4.2	6.2			3.5 4.1*
4.5	11.6*	11.6*	6.6	8.2*	4.3	6.1			2.9 3.9*
3.0	11.6*	11.6*	6.4	9.2	4.3	6.0	2.8	4.1	2.5 3.8
1.5	11.5	12.7*	6.3	9.1	4.2	6.1	2.7	4.1	2.4 3.7
0	11.5	15.3*	6.2	9.2	3.9	5.9	2.6	4.0	2.5 3.8
-1.5	11.1	17.2*	5.9	9.3	3.7	5.6			2.7 4.2
-3.0	11.1	17.7*	5.6	8.9	3.6	5.4*			3.4 4.3*
9.0									
7.5			6.8*	6.8*					4.8* 4.8*
6.0			7.0*	7.0*	4.5	6.2			3.8 4.1*
4.5	11.6*	11.6*	7.0	8.2	4.6	6.2			3.1 3.9*
3.0	11.6*	11.6*	6.8	9.3	4.6	6.1	3.0	4.2	2.8 3.8*
1.5	12.2	12.7*	6.7	9.2	4.5	6.1	2.9	4.1	2.6 3.8
0	12.3	15.3*	6.6	9.3	4.2	6.0	2.8	4.0	2.7 3.8
-1.5	11.9	17.2*	6.4	9.5	4.0	5.7			3.0 4.2
-3.0	11.9	17.7*	6.1	9.1	3.9	5.4*			3.6 4.3*
9.0									
7.5			6.8*	6.8*					4.8* 4.8*
6.0			7.0*	7.0*	4.7	6.4*			4.0 4.1*
4.5	11.6*	11.6*	7.3	8.2*	4.8	6.7*			3.3 3.9*
3.0	11.6*	11.6*	7.1	9.6*	4.8	7.2*	3.2	6.0*	2.9 3.8*
1.5	12.7*	12.7*	7.1	10.5*	4.7	7.6*	3.1	6.0*	2.8 4.0*
0	13.1	15.3*	7.0	10.6*	4.5	7.7*	3.0	5.8*	2.9 4.3*
-1.5	12.8	17.2*	6.8	10.7*	4.2	7.8*			3.1 5.0*
-3.0	12.8	17.7*	6.5	10.4*	4.1	5.4*			3.9 4.3*

Stick 2.45 m

Under-carriage m	3.0 m		4.5 m		6.0 m		7.5 m		m
9.0									
7.5									
6.0			5.9	6.3*					4.2 4.3*
4.5			6.0	6.3*	3.7	6.1*			2.9 3.7*
3.0	8.2*	8.2*	5.8	7.7*	3.8	6.0	2.4	4.1	2.4 3.5*
1.5	10.1	11.7*	5.6	9.1	3.8	5.9	2.4	4.1	2.1 3.5*
0	10.0	12.6*	5.6	9.0	3.7	5.9	2.3	4.0	2.0 3.5
-1.5	9.7	14.9*	5.4	9.0	3.5	5.8	2.2	3.9	2.0 3.6
-3.0	9.3	17.0*	5.1	9.2	3.2	5.6			2.2 3.9
-4.5	9.2	17.6*	4.8	8.8	3.1	5.4			2.7 4.3*
9.0									
7.5			6.3	6.3*					4.3* 4.3*
6.0			6.3	6.3*	4.0	6.1*			3.1 3.7*
4.5	8.2*	8.2*	6.1	7.7*	4.1	6.1	2.6	4.1*	2.5 3.5*
3.0	10.7	11.7*	6.0	9.2	4.1	6.0	2.6	4.1	2.3 3.5*
1.5	10.5	12.6*	5.9	9.1	3.9	6.0	2.5	4.1	2.2 3.5
0	10.4	14.9*	5.7	9.1	3.7	5.9	2.4	4.0	2.2 3.6
-1.5	9.9	17.0*	5.5	9.3	3.5	5.7			2.4 4.0
-3.0	9.9	17.6*	5.2	9.0	3.3	5.5			2.9 4.3*
-4.5	9.7	11.5*							7.2 8.6*
9.0									
7.5			6.3*	6.3*					4.3* 4.3*
6.0			6.3*	6.3*	4.1	6.1*			3.2 3.7*
4.5	8.2*	8.2*	6.4	7.7*	4.2	6.5*	2.7	4.1*	2.7 3.5*
3.0	11.1	11.7*	6.2	9.3*	4.2	7.1*	2.7	5.9*	2.4 3.5*
1.5	11.0	12.6*	6.1	10.4*	4.1	7.5*	2.7	6.0*	2.3 3.6*
0	10.9	14.9*	6.0	10.5*	3.9	7.6*	2.5	5.9*	2.3 3.9*
-1.5	10.5	17.0*	5.7	10.7*	3.6	7.8*			2.5 4.5*
-3.0	10.4	17.6*	5.4	10.7*	3.5	6.2*			3.1 4.3*
-4.5	10.2	11.5*							7.6 8.6*
9.0									
7.5			6.3*	6.3*					4.3* 4.3*
6.0			6.3*	6.3*	4.2	6.1*			3.3 3.7*
4.5	8.2*	8.2*	6.6	7.7*	4.3	6.1	2.8	4.1*	2.7 3.5*
3.0	11.7	11.7*	6.4	9.2	4.3	6.0	2.8	4.1	2.4 3.5*
1.5	11.5	12.6*	6.3	9.1	4.2	6.0	2.7	4.1	2.3 3.5
0	11.6	14.9*	6.2	9.1	4.0	5.9	2.6	4.0	2.4 3.6
-1.5	11.1	17.0*	5.9	9.3	3.7	5.7			2.6 4.0
-3.0	11.0	17.6*	5.6	9.0	3.6	5.5			3.1 4.3*
-4.5	10.8	11.5*							8.0 8.6*
9.0									
7.5			6.3*	6.3*					4.3* 4.3*
6.0			6.3*	6.3*	4.5	6.1*			3.6 3.7*
4.5	8.2*	8.2*	7.0	7.7*	4.6	6.2	3.0	4.1*	2.9 3.5*
3.0	11.7*	11.7*	6.8	9.3	4.6	6.1	3.0	4.2	2.6 3.5*
1.5	12.2	12.6*	6.7	9.2	4.5	6.1	2.9	4.2	2.5 3.6*
0	12.3	14.9*	6.6	9.3	4.3	6.0	2.8	4.0	2.6 3.7
-1.5	11.9	17.0*	6.4	9.5	4.0	5.8			2.8 4.0
-3.0	11.8	17.6*	6.1	9.1	3.9	5.6			3.4 4.3*
-4.5	11.5*	11.5*							8.6 8.6*
9.0									
7.5			6.3*	6.3*					4.3* 4.3*
6.0			6.3*	6.3*	4.8	6.1*			3.7* 3.7*
4.5	8.2*	8.2*	7.3	7.7*	4.8	6.5*	3.2	4.1*	3.1 3.5*
3.0	11.7*	11.7*	7.1	9.3*	4.8	7.1*	3.2	5.9*	2.8 3.5*
1.5	12.6*	12.6*	7.0	10.4*	4.7	7.5*	3.1	6.0*	2.7 3.6*
0	13.1	14.9*	7.0	10.5*	4.5	7.6*	3.0	5.9*	2.7 3.9*
-1.5	12.8	17.0*	6.8	10.7*	4.3	7.8*			3.0 4.5*
-3.0	12.8	17.6*	6.5	10.7*	4.1	6.2*			3.6 4.3*
-4.5	11.5*	11.5*							8.6* 8.6*

Height Can be slewed through 360° In longitudinal position of undercarriage Max. reach * Limited by hydr. capacity

The load values are quoted in tons (t) at stick end (without bucket), and may be swung 360° on firm and even ground. Adjacent values are valid for the undercarriage when in the longitudinal position. Capacities are valid for 600 mm wide track pads with adjusting cylinder in optimal position. Indicated loads are based on ISO 10567 standard and do not exceed 75% of tipping or 87% of hydraulic capacity (indicated via *). Without bucket cylinder, link and lever the lift capacities will increase by 285 kg. Lifting capacity of the excavator is limited by machine stability and hydraulic capacity. According to European Standard, EN 474-5: In the European Union excavators have to be equipped with an overload warning device, a load diagram and automatic safety check valves on hoist cylinders and stick cylinder(s), when they are used for lifting operations which require the use of lifting accessories. Determine maximum load lift from load lift chart displayed in the operator's cab or from load lift chart detailed in the operator's manual supplied with the machine.

¹⁾ Values are calculated with 500 mm wide track pads for the NLC-Undercarriage

Stick 2.65 m

Under-carriage m	3.0m		4.5m		6.0m		7.5m		m	
7.5									3.1* 3.1*	5.2
6.0									2.8* 2.8*	6.5
4.5									2.4 2.7*	7.3
3.0	9.0	12.8*	5.5	6.7*	3.4	4.7*	2.2	3.9	2.1 2.8*	7.7
1.5			4.4	8.3	3.0	5.3	2.1	3.7	2.0 3.0*	7.8
0	6.2*	6.2*	4.1	7.9	2.8	5.1	2.0	3.7	2.0 3.4*	7.6
-1.5	7.5	10.1*	4.0	7.8	2.7	5.0			2.2 4.0	7.1
-3.0	7.7	10.2*	4.1	7.5*	2.8	5.1			2.7 5.0	6.1
-4.5										
7.5									3.1* 3.1*	5.2
6.0									2.8* 2.8*	6.5
4.5									2.6 2.7*	7.3
3.0	9.6	12.8*	5.3	8.0*	3.5	5.7	2.4	3.9	2.3 2.8*	7.7
1.5			4.8	8.4	3.2	5.4	2.3	3.8	2.2 3.0*	7.8
0	6.2*	6.2*	4.5	8.0	3.0	5.2	2.2	3.7	2.2 3.4*	7.6
-1.5	8.1	10.1*	4.4	7.9	3.0	5.1			2.4 4.0	7.1
-3.0	8.4	10.2*	4.5	7.5*	3.1	5.2			3.0 5.0*	6.1
-4.5										
7.5									3.1* 3.1*	5.2
6.0									2.8* 2.8*	6.5
4.5									2.7 2.7*	7.3
3.0	10.1	12.8*	6.1	6.7*	3.8	5.7*	2.5	4.2*	2.4 2.8*	7.7
1.5			5.0	9.2*	3.4	6.8*	2.4	5.3*	2.3 3.0*	7.8
0	6.2*	6.2*	4.7	9.6*	3.2	7.0*	2.3	4.5*	2.3 3.4*	7.6
-1.5	8.6	10.1*	4.6	9.1*	3.1	6.7*			2.5 4.1*	7.1
-3.0	8.9	10.2*	4.7	7.5*	3.2	5.2*			3.1 5.0*	6.1
-4.5										
7.5									3.1* 3.1*	5.2
6.0									2.8* 2.8*	6.5
4.5									2.7 2.7*	7.3
3.0	10.7	12.8*	6.3	6.7*	4.0	5.7*	2.6	3.9	2.4 2.8*	7.7
1.5			5.2	8.4	3.5	5.4	2.5	3.8	2.3 3.0*	7.8
0	6.2*	6.2*	4.9	8.0	3.3	5.2	2.4	3.7	2.3 3.4*	7.6
-1.5	9.2	10.1*	4.8	7.9	3.2	5.1			2.6 4.0	7.1
-3.0	9.4	10.2*	4.9	7.5*	3.3	5.2			3.2 5.0*	6.1
-4.5										
7.5									3.1* 3.1*	5.2
6.0									2.8* 2.8*	6.5
4.5									2.7* 2.7*	7.3
3.0	11.5	12.8*	6.7*	6.7*	4.0	5.8	2.8	4.0	2.7 2.8*	7.7
1.5			5.6	8.6	3.8	5.5	2.7	3.9	2.5 3.0*	7.8
0	6.2*	6.2*	5.3	8.2	3.6	5.3	2.6	3.8	2.6 3.4*	7.6
-1.5	10.0	10.1*	5.2	8.1	3.5	5.2			2.8 4.1*	7.1
-3.0	10.2*	10.2*	5.3	7.5*	3.6	5.2*			3.5 5.0*	6.1
-4.5										
7.5									3.1* 3.1*	5.2
6.0									2.8* 2.8*	6.5
4.5									2.7* 2.7*	7.3
3.0	12.5	12.8*	6.6	8.0*	4.3	6.3*	3.0	4.2*	2.8* 2.8*	7.7
1.5			6.0	9.2*	4.0	6.8*	2.9	5.3*	2.7 3.0*	7.8
0	6.2*	6.2*	5.7	9.6*	3.8	7.0*	2.8	4.5*	2.7 3.4*	7.6
-1.5	10.1*	10.1*	5.6	9.1*	3.7	6.7*			3.0 4.1*	7.1
-3.0	10.2*	10.2*	5.7	7.5*	3.8	5.2*			3.7 5.0*	6.1
-4.5										

Stick 3.05 m

Under-carriage m	3.0m		4.5m		6.0m		7.5m		m	
7.5									2.5* 2.5*	5.5
6.0									2.3* 2.3*	6.7
4.5									2.3* 2.3*	7.5
3.0	9.4	11.5*	5.1	7.6*	3.2	5.6	2.2	3.9	2.0 2.4*	7.9
1.5	7.6*	7.6*	4.5	8.4	3.0	5.3	2.1	3.7	1.9 2.6*	8.0
0	7.4	7.8*	4.1	7.9	2.8	5.1	2.0	3.6	1.9 3.0*	7.8
-1.5	7.3	10.4*	4.0	7.7	2.7	5.0			2.1 3.8	7.3
-3.0	7.5	11.2*	4.0	7.8	2.7	5.0			2.5 4.6	6.3
-4.5			4.3	5.1*					4.0 4.8*	4.8
7.5									2.5* 2.5*	5.5
6.0									2.3* 2.3*	6.7
4.5									2.3* 2.3*	7.5
3.0	10.1	11.5*	5.4	7.6*	3.5	5.7	2.4	4.0	2.2 2.4*	7.9
1.5	7.6*	7.6*	4.8	8.5	3.2	5.4	2.3	3.8	2.1 2.6*	8.0
0	7.8*	7.8*	4.5	8.1	3.0	5.2	2.2	3.7	2.1 3.0*	7.8
-1.5	8.0	10.4*	4.3	7.9	2.9	5.0			2.3 3.8	7.3
-3.0	8.2	11.2*	4.4	7.9	3.0	5.1			2.8 4.7	6.3
-4.5			4.6	5.1*					4.3 4.8*	4.8
7.5									2.5* 2.5*	5.5
6.0									2.3* 2.3*	6.7
4.5									2.3* 2.3*	7.5
3.0	10.6	11.5*	5.7	7.6*	3.7	6.0*	2.5	4.0*	2.3 2.4*	7.9
1.5	7.6*	7.6*	5.1	8.9*	3.4	6.6*	2.4	5.0*	2.2 2.6*	8.0
0	7.8*	7.8*	4.7	9.5*	3.2	6.9*	2.3	4.9*	2.2 3.0*	7.8
-1.5	8.5	10.4*	4.6	9.2*	3.1	6.8*			2.4 3.9*	7.3
-3.0	8.7	11.2*	4.6	8.0*	3.1	5.7*			2.9 5.3*	6.3
-4.5			4.9	5.1*					4.5 4.8*	4.8
7.5									2.5* 2.5*	5.5
6.0									2.3* 2.3*	6.7
4.5									2.3* 2.3*	7.5
3.0	11.3	11.5*	5.9	7.6*	3.8	5.7	2.6	4.0	2.4 2.4*	7.9
1.5	7.6*	7.6*	5.3	8.5	3.5	5.4	2.5	3.8	2.2 2.6*	8.0
0	7.8*	7.8*	4.9	8.1	3.3	5.2	2.4	3.7	2.2 3.0*	7.8
-1.5	9.0*	10.4*	4.7	7.9	3.2	5.0			2.4 3.8	7.3
-3.0	9.2	11.2*	4.8	7.9	3.2	5.1			3.0 4.7	6.3
-4.5			5.1	5.1*					4.7 4.8*	4.8
7.5									2.5* 2.5*	5.5
6.0									2.3* 2.3*	6.7
4.5									2.3* 2.3*	7.5
3.0	11.5*	11.5*	6.3	7.6*	4.1	5.8	2.8	4.0*	2.4* 2.4*	7.9
1.5	7.6*	7.6*	5.7	8.7	3.8	5.5	2.7	3.9	2.4 2.6*	8.0
0	7.8*	7.8*	5.3	8.2	3.6	5.3	2.6	3.8	2.5 3.0*	7.8
-1.5	9.8	10.4*	5.2	8.0	3.5	5.1			2.7 3.9*	7.3
-3.0	10.0	11.2*	5.2	8.0*	3.5	5.2			3.3 4.8	6.3
-4.5			5.1*	5.1*					4.8* 4.8*	4.8
7.5									2.5* 2.5*	5.5
6.0									2.3* 2.3*	6.7
4.5									2.3* 2.3*	7.5
3.0	11.5*	11.5*	6.7	7.6*	4.3	6.0*	3.0	4.0*	2.4* 2.4*	7.9
1.5	7.6*	7.6*	6.1	8.9*	4.0	6.6*	2.9	5.0*	2.6 2.6*	8.0
0	7.8*	7.8*	5.7	9.5*	3.8	6.9*	2.8	4.9*	2.6 3.0*	7.8
-1.5	10.4*	10.4*	5.5	9.2*	3.7	6.8*			2.9 3.9*	7.3
-3.0	10.9	11.2*	5.6	8.0*	3.7	5.7*			3.5 5.3*	6.3
-4.5			5.1*	5.1*					4.8* 4.8*	4.8

Height Can be slewed through 360° In longitudinal position of undercarriage Max. reach * Limited by hydr. capacity

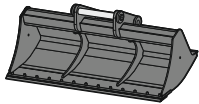
The load values are quoted in tons (t) at stick end (without bucket), and may be swung 360° on firm and even ground. Adjacent values are valid for the undercarriage when in the longitudinal position. Capacities are valid for 600 mm wide track pads. Indicated loads are based on ISO 10567 standard and do not exceed 75% of tipping or 87% of hydraulic capacity (indicated via *). Without bucket cylinder, link and lever the lift capacities will increase by 285 kg. Lifting capacity of the excavator is limited by machine stability and hydraulic capacity.

According to European Standard, EN 474-5: In the European Union excavators have to be equipped with an overload warning device, a load diagram and automatic safety check valves on hoist cylinders and stick cylinder(s), when they are used for lifting operations which require the use of lifting accessories.

Determine maximum load lift from load lift chart displayed in the operator's cab or from load lift chart detailed in the operator's manual supplied with the machine.

¹⁾ Values are calculated with 500 mm wide track pads for the NLC-Undercarriage

Attachments



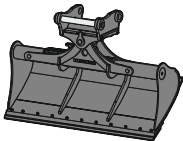
Rigid ditch cleaning bucket

GRL 03, for direct mounting

Cutting width	mm	1,500	2,000	2,400
Capacity	m ³	0.50	0.70	0.85
Weight	kg	400	506	586

GRL 03, for mounting to quick coupler SWA 48

Cutting width	mm	1,500	1,500	2,000	2,000	2,000	2,400	2,400
Capacity	m ³	0.50	0.95	0.70	1.20	1.25	0.85	1.15
Weight	kg	430	560	400	640	600	600	650



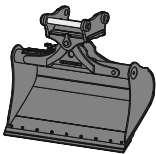
Tiltable ditch cleaning bucket

GRL 90, 2 x 50° tiltable, for direct mounting

Cutting width	mm	1,600	1,600	2,000	2,000	2,000	2,200	2,400
Capacity	m ³	0.55	0.80	0.50	0.70	1.00	0.80	0.85
Weight	kg	650	790	610	800	870	800	870

GRL 90, 2 x 50° tiltable, for mounting to quick coupler SWA 48

Cutting width	mm	1,600	1,600	2,000	2,000	2,000	2,200	2,200	2,400
Capacity	m ³	0.55	0.80	0.50	0.70	1.00	0.80	1.15	0.85
Weight	kg	730	850	740	870	870	870	970	930



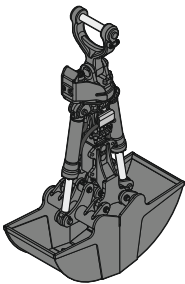
Tilt bucket

SL 90, 2 x 50° tiltable, for direct mounting

Cutting width	mm	1,500	1,600	1,600
Capacity	m ³	0.60	0.80	1.00
Weight	kg	680	750	810

SL 90, 2 x 50° tiltable, for mounting to quick coupler SWA 48

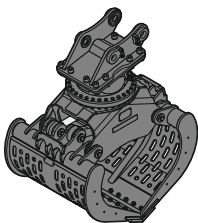
Cutting width	mm	1,500	1,600	1,600	1,600
Capacity	m ³	0.60	0.80	0.80	1.00
Weight	kg	680	820	950	870
HD version				X	



Clamshell grab

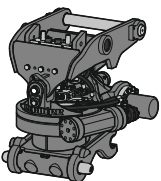
GMZ 24, clamshell buckets, for mounting to quick coupler SWA 48

Cutting width	mm	600	800	1,000
Capacity	m ³	0.34	0.46	0.60
Weight	kg	890	970	1,040



Sorting grab

		ribbed		perforated		stone tong	
SG 25B, for mounting to quick coupler SWA 48							
Cutting width	mm	800	1,000	800	1,000	1,200	800
Capacity	m ³	0.50	0.65	0.55	0.75	0.90	0.60
Weight	kg	1,210	1,295	1,170	1,230	1,325	1,170



Tiltrotator

TR 25, for mounting to quick coupler SWA 48

Weight	kg	720
Rotation		360°
Tilt		2 x 50°

Serial equipment

Undercarriage

Lashing eyes
Sprocket with dirt ejector
Track and carrier rollers, sealed and lifetime-lubricated

Uppercarriage

Anti-skid surfaces
Centralised lubrication system (automatic)
Engine hood with gas spring opening
Filters accessible from ground level
Front right rearview mirrors
Handrails
Hydraulic oil level, visible from ground level
Lockable fuel tank cap
Lockable service doors
Lockable storage box
Main switch, manual, lockable
Protection grid on radiator fan
Sound insulation
Swing drive gearbox oil level, visible from the cab
Swing-out fan
Windshield washer fluid tank

Hydraulic system

Filter with integrated fine filters
Hydraulic pressure measuring ports
Hydraulic tank shut-off valve
Liebherr Synchron Comfort System (LSC)
Magnetic rod
Pressure accumulator for controlled lowering of equipment with engine turned off

Engine

Air filter with automatic dust ejector
Automatic engine idling / speed increase, controlled via joystick sensors
Common-Rail injection system
Exhaust gas after-treatment system – DOC + DPF + SCR
Fixed geometry turbocharger
Fuel fine filter
Fuel pre-filter and water separator
Fuel priming pump
Intercooler
Power Pack EU Stage V
Stepless adjustable engine speed

Cab

9" multifunction colour touchscreen
Air conditioning, automatic, tri-zone, controlled via display
Armrests adjustable in length, height and inclination
Bottle holder
Cab air filters housing, accessible from ground level
Cab door sliding windows
Coat hook
DEF consumption on touchscreen
DEF level on touchscreen
Electric socket in cabin (12 V)
Electric socket in cabin (24 V)
Emergency hammer
Fuel consumption on touchscreen
Fuel level on touchscreen
Interior lighting
Laminated right hand side window
LiDAT Plus (Liebherr data transfer system)*
Mechanical hour meter, visible from ground level
Rain hood over front window opening
Rearview mirror
Rear view monitoring camera
Rear window emergency exit
Roll-down sun blinds for windscreen and roof window
ROPS safety cab structure (ISO 12117-2)
Rubber floor mat, fixed on floor and removable
Shortkey button on joystick configurable
Storage nets
Storage spaces
Tilttable console left
Tinted windows
Visco-elastic damping
Windscreen wiper and washer
Work mode selector

Equipment

Boom cylinders regeneration
Pipe fracture safety valve for stick cylinder
Pipe fracture safety valves for boom cylinders
SAE split flanges on high pressure lines
Stick cylinder regeneration

* optionally extendable after one year

Equipment standard / option

Undercarriage

Chain guide 1 piece	•
Chain guide 3 pieces	+
Dozer and stabilizer blade 2,500 mm	+
Dozer and stabilizer blade 2,600 mm	+
Dozer and stabilizer blade 2,850 mm	+
Dozer and stabilizer blade 3,000 mm	+
Reinforced cover and base plate for undercarriage centre section	+
Rubber track pads 600 mm	+
Special painting	+
Standard cover plate for undercarriage centre section	•
Steps	•
Steps wide	+
Track pads triple grouser 500 / 750 / 900 mm	+
Track pads triple grouser 600 mm	•
Tracks, sealed and greased	•
Undercarriage LC	+
Undercarriage NLC	+
Undercarriage storage compartment	+

Uppercarriage

Air pre-filter with cyclonical dust trap	+
Counterweight standard 3.1 t	•
Electric socket on uppercarriage (24V)	+
Extended tool set including tool box	+
Flashing beacon on uppercarriage, rear, LED, 1 piece	+
Fuel anti-theft protection	+
Headlight on uppercarriage, lateral right, LED+, 1 piece	+D
Headlights on uppercarriage, front, halogen, 2 pieces, protections included	•D
Headlights on uppercarriage, front, LED, 2 pieces, protections included	+D
Headlights on uppercarriage, rear, LED+, 2 pieces	+D
Pre-heating system for fuel	+
Reflective warning stickers	+
Reversible fan drive	+
Skyview 360°	+
Special painting	+
Tank refilling pump fuel	+
Tool set including storage case	•

Hydraulic system

Bypass filter for hydraulic oil	+
Liebherr hydraulic oil	•
Liebherr hydraulic oil, adapted for extreme climate conditions	+
Liebherr hydraulic oil, biodegradable	+

Engine

Automatic engine shutdown after idling	+
--	---



Cab

2" seat belt with retractor	●
3" seat belt with retractor, orange colour	+
4-points seat belt	+
Acoustic travel alarm deactivatable	+
Attachment continuous operation system	+
Auxiliary heater programmable	+
Bottom windscreen wiper	+
Cool box (12 V)	+
Dark tinted windows	+
Electronic immobiliser	+
Emergency stop in cab	+
FGPS front guard	+
Filter for hydraulic hammer return flow	+
Fire extinguisher	+
First-aid box	+
Flashing beacon on cabin, LED, 1 piece	+
Footrest	+
FOPS top guard	+
Handrests elevated for joysticks	+
Headlights on cab, front, halogen, 2 pieces	● ¹⁾
Headlights on cab, front, LED+, 2 pieces	+ ¹⁾
Headlights on cab roof, front, LED+, 2 pieces	+ ¹⁾
High pressure circuit switchable on pedals or mini-joystick	+
High pressure circuit with Tool Control (20 attachment adjustments on display)	+
Impact resistant one-piece windscreen	+
Impact resistant roof window	+
Laminated roof window	●
Lightbar on cabin	+
Medium pressure circuit	+
Mini-joysticks proportional	+
Movement restriction for stick	+
Operator seat Comfort	●
Operator seat Premium	+
Overload warning system	+
Preparation for machine guidance system	+
Radio Comfort	+
Radio pre-installation	●
Retractable laminated two-piece windscreen	●
Right hand side view monitoring camera	●
Roof sun shield	+
Roof window wiper	+
Special painting	+
Sun visor	+
Switch between high pressure and bucket cylinder controls	+
Windscreen bottom protection grid	+



Equipment

Bucket cylinder rod protection	+
Centralised lubrication extended for connecting link	+
Centralised lubrication extended for quick coupler	+
Grapple hydraulic lines (bucket cylinder inactive)	+
Headlight guards on boom	+
Headlights on boom, halogen, 2 pieces	● ¹⁾
Headlights on boom, LED+, 2 pieces	+ ¹⁾
Headlights on stick, right and left, LED+, 2 pieces, protections included	+ ¹⁾
Leak oil line for attachment	+
Liebherr bucket range	+
Liebherr tooth system	+
Load holding valve for bucket cylinder	+
Mono boom 5.20 m	+
Mono boom offset 5.20 m	+
Quick coupler SWA 48 hydraulic	+
Quick coupler SWA 48 mechanical	+
Security for hoist cylinders	+
Solidlink electric signal plug	+
Solidlink for quick coupler SWA 48 hydraulic	+
Special painting	+
Stick 2.25 m	+
Stick 2.45 m	+
Stick 2.65 m	+
Stick 3.05 m	+
Stick bottom protection	+
Tool Management	+
Two-piece boom 5.40 m	+
Working envelope height limitation	+

● = Standard, + = Option

¹⁾ Equipment not individually available, but only as predefined packages
Non-exhaustive list, please contact us for further information.

Options and / or special equipment, supplied by vendors other than Liebherr, are only to be installed with the knowledge and approval of Liebherr in order to retain warranty.

The Liebherr Group



Global and independent: more than 70 years of success

Liebherr was founded in 1949 when, with the development of the world's first mobile tower crane, Hans Liebherr laid the foundations for a family business now employing nearly 51,000 people and comprising over 140 companies across every continent.

The parent company is Liebherr-International AG in Bulle, Switzerland, whose associates are exclusively members of the Liebherr family.

Leaders and pioneers

Liebherr is a pioneer and its forward-looking approach has seen it make important contributions to technology history over a wide variety of industries. Employees throughout the world continue to share the courage of the founder, sharing a passion to produce innovative products and a determination to provide world-leading equipment and machinery.

Diversified portfolio

The company is one of the world's biggest construction equipment manufacturers and provides high-quality, user-oriented products and services to sectors including: earthmoving, material handling, deep foundations, mining, mobile and crawler cranes, tower cranes, concrete production and distribution, maritime cranes, aerospace and transportation, gear technology and automation, refrigeration and freezing, components and hotels.

Customised care

Liebherr solutions are characterised by precision, implementation and longevity. The company is committed to technological excellence and to providing customers with solutions that match their needs exactly. That customer focus does not end with delivery of a product but continues through a comprehensive range of back-up and support services.

www.liebherr.com

Liebherr-France SAS

2 avenue Joseph Rey, B.P. 90287 • 68005 Colmar Cedex, France • Phone +33 389 213030
info.lfr@liebherr.com • www.liebherr.com • www.facebook.com/LiebherrConstruction