



User Guide

Quality, Design and Innovation



home.liebherr.com/fridge-manuals





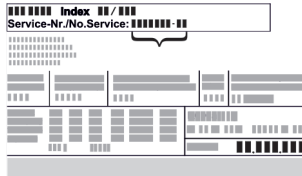




LIEBHERR

Contents

1	Appliance at a glance.....	2
1.1	Scope of supply.....	2
1.2	Overview of appliance and equipment.....	3
1.3	Special features.....	3
1.4	Range of use of appliance.....	3
1.5	Appliance noise emissions.....	3
1.6	Compliance.....	3
1.7	EPREL database.....	4
2	General safety instructions.....	4
3	Putting into operation.....	5
3.1	Installation conditions.....	5
3.2	Appliance dimensions.....	6
3.3	Transporting appliance.....	7
3.4	Removing packaging.....	7
3.5	Installing appliance.....	8
3.6	Setting up the appliance so that it is level.....	9
3.7	Installing multiple appliances.....	9
3.8	After installation.....	9
3.9	Disposing of packaging.....	9
3.10	Reversing the door hinge / removing the hinge.....	9
3.11	Aligning the door.....	12
3.12	Connecting appliance.....	13
3.13	Switching on appliance (first use).....	13
4	Storage.....	13
4.1	Information regarding storage.....	13
4.2	Storage times.....	13
5	Controls.....	13
5.1	Control and display elements.....	13
5.1.1	Status display.....	14
5.2	Functions.....	14
5.2.1	Switching appliance on and off.....	14
5.2.2	Changing temperature.....	14
5.2.2	Operating cycle.....	14
5.2.3	Min. Max. temperature display.....	14
5.2.4	Manual defrosting.....	14
5.3	Alarms.....	15
6	Features.....	15
7	Maintenance.....	15
7.1	Defrosting appliance.....	15
7.2	Cleaning the appliance.....	15
8	Customer help.....	16
8.1	Technical specifications.....	16
8.2	Technical fault.....	17
8.3	Customer Service.....	17
8.4	Type plate.....	18
9	Shutting down.....	18
10	Disposal.....	18
10.1	Preparing appliance for disposal.....	18
10.2	Disposing of the appliance in an environmentally friendly manner.....	18
11	Additional information.....	19

The manufacturer is continually working on the further development of all types and models. Please be aware that we reserve the right to make changes to the shape, equipment and technology.

Symbol	Explanation
	Read instructions Please read the information in these instructions carefully to understand all of the benefits of your new appliance.

Symbol	Explanation
	Full instructions on the internet You can find detailed instructions on the internet using the QR code on the front of these instruction or by entering the service number at home.liebherr.com/fridge-manuals . The service number can be found on the serial tag:  <i>Fig. Example illustration</i>
	Check appliance Check all parts for transport damage. If you have any complaints, please contact your agent or customer service.
	Differences These instructions apply to a range of models, so differences are possible. Sections that apply to certain models only are marked with an asterisk (*).
	Instructions and results Instructions are marked with a ▶. Results are marked with a ▷.
	Videos Videos about the appliances are available on the YouTube channels of Liebherr-Hausgeräte.

These operating instructions apply to:			
PlugIn:		Remote:	
FRTSvg 75..	FFTSvg 75..	FRTSrg 75	FFTSrg 75..

1 Appliance at a glance

1.1 Scope of supply

Check all parts for transport damage. If you have any complaints, please contact your dealer or Customer Service. (see 8.3 Customer Service)

The delivery comprises the following parts:

- Freestanding appliance
- Equipment *
- Installation materials *
- Operating instructions

1.2 Overview of appliance and equipment

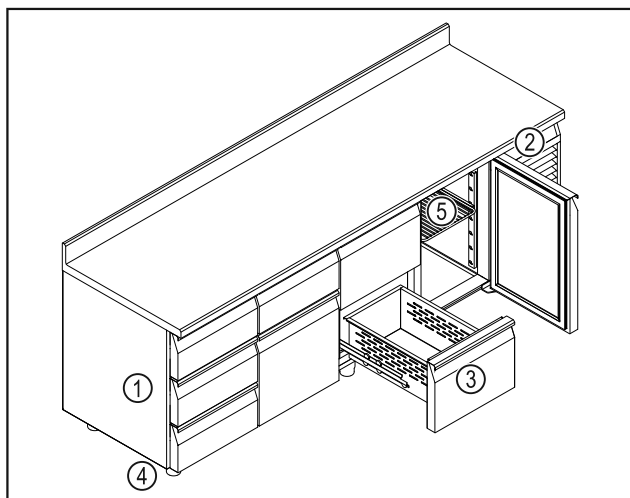


Fig. 1 Example illustration

- (1) Type plate (on the left interior wall of the appliance)
- (2) Control elements and temperature display
- (3) Drawers *
- (4) Adjusting feet / castors *
- (5) Grid shelf *

1.3 Special features

Note

Accessories are available via Customer Service (see 8.3 Customer Service) and in the Liebherr-Hausgeräte-Shop at <https://home.liebherr.com>.

1.4 Range of use of appliance

Intended use

This fridge is appropriate for the professional storage of chilled foodstuffs. This appliance is not intended for the presentation or removal of foodstuffs by customers.*

This freezer is appropriate for the professional storage of frozen foodstuffs. This appliance is not intended for the presentation or removal of foodstuffs by customers.*

The appliance is designed for use in indoor spaces.

All other types of use are not permitted.

Foreseeable misuse

The following uses are expressly forbidden:

- Storage and refrigeration of:
 - Chemically unstable flammable or corrosive substances
 - Medications, blood plasma, laboratory specimens or similar substances and products which are the basis of medical devices directive 2007/47/EC

- Use in potentially explosive atmospheres
- Use outdoors or in areas exposed to dampness and splashing water

Improper use of the appliances will result in goods stored being damaged or spoiled.

Climate classes

The applicable climate class for your appliance is printed on the type plate.

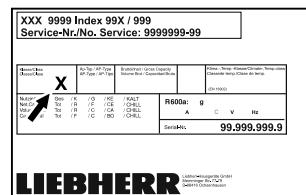


Fig. 2 Type plate

- (X) The climate class states the ambient conditions in which the appliance can be operated safely.

Climate class (X)	Max. room temperature in °C	Max. rel. humidity in %
3	+25	60
4	+30	55
5	+40	40
7	+35	75

Note

The minimum permitted room temperature at the place of installation is +10 °C.

Slight condensation may form at the limit conditions on the glass door (depending on the equipment) and on the side walls.

1.5 Appliance noise emissions

The A-weighted emission sound pressure level during operation of the appliance is under 70 dB(A) (sound power rel. 1 pW).

1.6 Compliance

The refrigerant circuit has been tested for leaks. The appliance complies with the applicable safety regulations.

EU Declaration of Conformity	
Manufacturer/issuer:	LIEBHERR-HAUSGERÄTE LIENZ GMBH
Address:	A-9900 Lienz, Dr. Hans Liebherr Straße 1
The designated product complies with the regulations of the following European guidelines and directives:	

General safety instructions

EU Declaration of Conformity

(EU) 2019/2020
(EU) 2015/1095
(EU) 2015/1094
(EU) 2017/1369
2006/42/EC
2014/30/EU
2009/125/EC
2011/65/EU

The full text of the EU Declaration of Conformity is available on the following website: www.Liebherr.com

1.7 EPREL database

Details about the labelling of energy consumption and ecodesign requirements will be available on the European Product Database (EPREL) from 1 March 2021. You can access the product database at the following link: <https://eprel.ec.europa.eu/>. You will be asked to enter the model identification. The model identification can be found on the type plate.

2 General safety instructions

Please keep these operating instructions in a safe place so you can refer back to them at any time.

If you pass the appliance on, please hand these operating instructions to the next user.

Read these operating instructions carefully before use to ensure safe and correct use of the appliance. Follow the instructions, safety instructions and warning messages included at all times. They are important for ensuring you can operate and install the appliance safely and without any problems.

Danger for the user:

- This device can be used by children aged 8 and above and people with impaired physical, sensory or mental abilities or with a lack of experience and knowledge provided that they are supervised or have received instruction in the safe use of this appliance, and about the resulting hazards. Children must not play with this appliance. Cleaning and user maintenance work must not be carried out by children without adult supervision.
- The socket must be easily accessible so that the appliance can be disconnected quickly from the electricity supply in an emergency. It must not be located in the area behind the appliance.
- When disconnecting the appliance from the supply, always take hold of the plug. Do not pull the cable.

- In the event of a fault pull out the mains plug or deactivate the fuse.
- **WARNING:** Do not damage the mains power cable. Do not operate the appliance with a defective mains power cable.
- **WARNING:** Multiple sockets/distributors and other electronic equipment (such as halogen transformers) must not be placed or operated at the rear of the appliance.
- **WARNING:** Keep ventilation openings, in the appliance enclosure or in the built-in structure, clear of obstruction.
- Repairs, interventions on the appliance and the replacement of mains connection line may only be carried out by AfterSales Service or other suitably trained specialist personnel.
- Only assemble, connect and dispose of the appliance according to the instructions.

Fire hazard

- The coolant used (information on the model plate) is ecofriendly but also flammable. Any leaking coolant may ignite.
 - **WARNING:** Do not damage refrigeration circuit.
 - Do not handle ignition sources inside the appliance.
 - **WARNING:** Do not use electrical appliances in the fridge compartment which do not comply with the design recommended by the manufacturer.
 - If the refrigerant leaks: remove any naked flames or ignition sources from the vicinity of the leakage point. Properly air the room. Inform customer services.
- Do not operate the appliance close to explosive gases.
- Do not store or use petrol or other flammable gases and liquids close to the appliance.
- Do not store any explosive substances, such as aerosol containers with flammable propellant gas, in the appliance. To identify these spray cans, look for the list of contents printed on the can, or a flame symbol. Gases possibly escaping may ignite due to electrical components.
- Keep burning candles, lamps and other items with naked flames away from the appliance so that they do not set the appliance on fire.
- Please be sure to store alcoholic drinks or other packaging containing alcohol in tightly closed containers. Any alcohol that leaks out may be ignited by electrical components.

Danger of tipping and falling:

- Do not misuse the plinth, drawers, doors etc. as a step or for support.

Danger of frostbite, numbness and pain:

- Avoid prolonged skin contact with cold surfaces or refrigerated/frozen goods or take protective measures, e.g. wear gloves.

Danger of injury and damage:

- **WARNING:** Do not use mechanical equipment or other methods to speed up the defrosting process other than those recommended by the manufacturer.
- **WARNING:** Risk of injury due to electric shock! There are live electrical parts under the cover. Only have the LED interior lighting replaced or repaired by customer service or other suitably trained professionals.
- **NOTICE:** Appliance must only be used using original manufacturer accessories or using accessories from other providers approved by the manufacturer. The user bears the risk of using accessories which are not approved.

Risk of crushing

- Do not hold the hinge when opening and closing the door. Fingers may get caught.

Specialist personnel qualifications:

Specialist personnel are persons who, on account of their specialist training, knowledge and experience as well as their knowledge of the relevant standards, are able to assess and perform the work assigned to them and identify potential hazards. They must have training, instruction, and authorisation to work on the appliance.

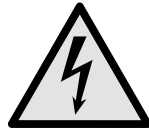
Symbols on the appliance:



This symbol may be located on the compressor. It relates to the oil in the compressor and makes reference to the risk that: **Swallowing or inhaling can be fatal.** This advice is only relevant to recycling. There is no danger in normal operation.



WARNING: Danger of fire / flammable materials. This symbol is located on the compressor and indicates the danger of flammable materials. Do not remove the sticker.



The symbol is located on the back of the appliance near the alarm relay and indicates the following danger: **Electric shock!** Even if an appliance is disconnected from the mains there may still be extraneous voltage. Do not remove sticker.



This or a similar sticker may be located on the rear of the appliance. It refers to the foamed-in panels in the door and/or the housing. This advice is only relevant to recycling. Do not remove sticker.

Please note the warning messages and other specific advice in the other chapters:

	DANGER	Indicates an immediately hazardous situation which will lead to death or serious injuries if it is not avoided.
	WARNING	Indicates a hazardous situation which will lead to death or serious injuries if it is not avoided.
	CAUTION	Indicates a hazardous situation which will lead to minor or moderate injuries if it is not avoided.
	NOTICE	Indicates a hazardous situation which may lead to damage to property if it is not avoided.
	Note	Indicates useful instructions and tips.

3 Putting into operation

3.1 Installation conditions



WARNING

Fire hazard due to dampness!

If live parts or the mains lead become damp this may cause short circuits.

- ▶ The appliance is designed for use in enclosed areas. Do not operate the appliance outdoors or in areas where it is exposed to splash water or damp conditions.

3.1.1 Installation location



WARNING

Leaking coolant and oil!

Fire. The coolant contained in the appliance is eco-friendly, but also flammable. The oil contained in the appliance is flammable. Escaping coolant and oil can ignite if the concentration is high enough and in contact with an external heat source.

- ▶ Do not damage the pipelines of the coolant circuit and the compressor.

- Do not install appliance in direct sunlight, next to an oven, radiator or similar.
- The best place for installation is a dry and well ventilated room.
- If the appliance is installed in a very humid environment, condensation can form on the outside of the appliance.

Putting into operation

Always ensure good airflow and ventilation in the installation location.

- The more coolant there is in the appliance, the larger the room must be in which the appliance is located. If rooms are too small, any leak may create a flammable mixture of gas and air. For every 8 g of coolant, the size of the installation space must be at least 1 m³. Information regarding the coolant contained is on the type plate inside the appliance.
- The floor of the location must be horizontal and even.
- The installation location must be able to withstand the weight of the appliance plus weight when stocked to maximum level. (see 8.1 Technical specifications)

3.1.2 Electrical connection



WARNING

Improper use!

Fire. If a mains cable/plug comes into contact with the back of the appliance, the mains cable/plug can be damaged by appliance vibrations and this may result in a short circuit.

- ▶ Stand the appliance so that it is not touched by connectors or main cables.
- ▶ Do not connect any appliances to sockets in the area of the back of the appliance.
- ▶ Multi-sockets/power distributors and other electronic appliances (such as halogen transformers) may not be placed and operated at the back of appliances.

3.2 Appliance dimensions

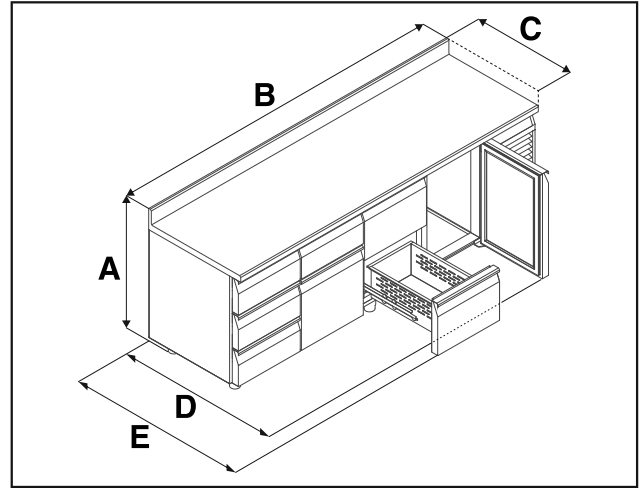


Fig. 3 Example illustration

Model	Net capacity	A mm	B mm	C mm	D mm	E mm
FR.... 7521	183 l	Variant 001: 810 Variant T01: 850 Variant S01: 950	v: 1300 r: 1160	700	1125	1280
FR.... 7550	158 l					
FR.... 7551	164 l					
FR.... 7552	162 l					
FR.... 7522	132 l					
FR.... 7523	136 l					
FR.... 7524	140 l					
FR.... 7531	275 l	Variant 001: 810 Variant T01: 850 Variant S01: 950	v: 1780 r: 1640	700	1125	1280
FR.... 7553	249 l					
FR.... 7555	253 l					
FR... 7556	224 l					
FR.... 7559	230 l					
FR.... 7561	234 l					
FR.... 7532	198 l					
FR.... 7563	202 l	Variant 001: 810 Variant T01: 850 Variant S01: 950	v: 2260 r: 2120	700	1125	1280
FR.... 7565	206 l					
FR.... 7566	208 l					
FR.... 7541	366 l					
FR.... 7570	341 l					
FR.... 7572	345 l					
FR.... 7573	315 l					
FR.... 7576	321 l					
FR.... 7578	290 l					
FR.... 7582	294 l					

Model	Net capacity	A mm	B mm	C mm	D mm	E mm
FF... 7521	183 l	Variant 001: 810 Variant T01: 850 Variant S01: 950	v: 1300 r: 1160	700	1125	1280
FF... 7531	275 l	Variant 001: 810 Variant T01: 850 Variant S01: 950	v: 1780 r: 1640	700	1125	1280
FF... 7541	366 l	Variant 001: 810 Variant T01: 850 Variant S01: 950	v: 2260 r: 2120	700	1125	1280

A = Appliance height (001 = without worktop, T01 = with straight worktop, S01 = with raised worktop)

B = Appliance width (v = PlugIn, r = Remote)

C = Appliance depth

D = Appliance depth with door open

E = Appliance depth with drawer open

3.3 Transporting appliance

- ▶ Transport the appliance in its packaging.
- ▶ Transport the appliance upright.
- ▶ Use two people to transport the appliance.

3.4 Removing packaging.

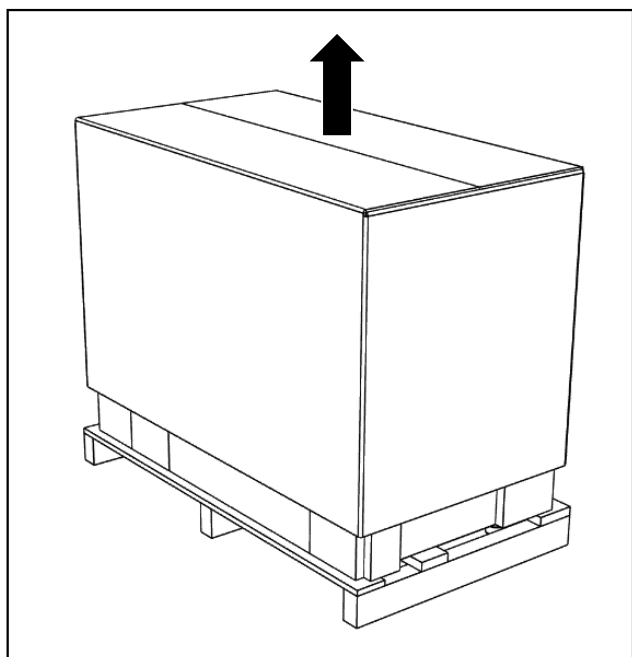


Fig. 4

- ▶ Take the box off upwards.

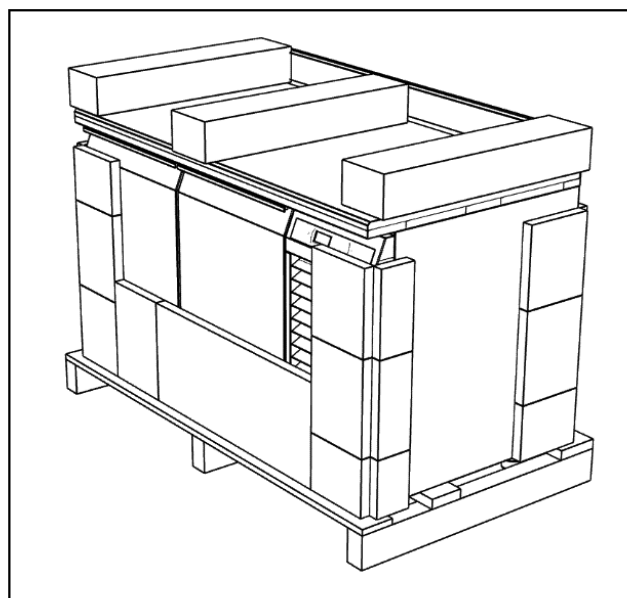


Fig. 5

- ▶ Remove corner protection and polyethylene plate.

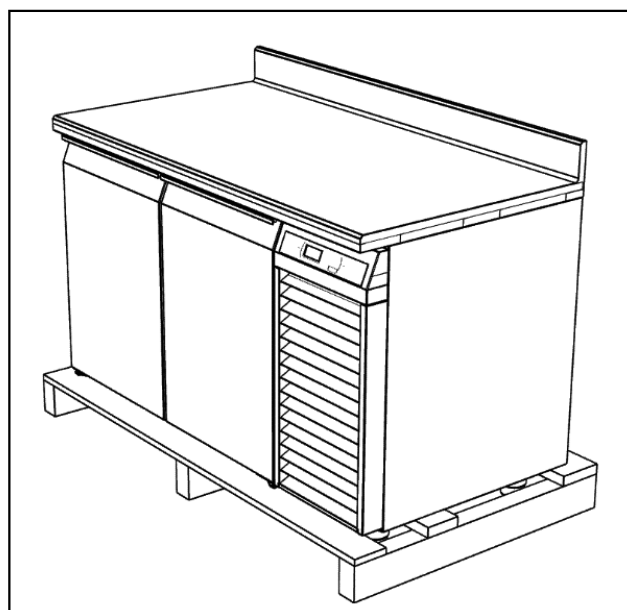


Fig. 6

Putting into operation

- ▶ Remove PVC film.

3.5 Installing appliance

Note

Risk of damage!

- ▶ Do not lift the appliance by the work surface or push with it.



CAUTION

Risk of damage!

- ▶ Do not climb on the drawers or use them as a ladder. This can lead to damage or accidents.



WARNING

Risk of injury and damage!

- ▶ Appliances may tip over if several drawers are opened at the same time.
- ▶ The back of the appliance floor may need to be equipped with ballast.
- ▶ Drawer appliances with feet should be mounted at the wall.



WARNING

Risk of injury and damage!

- ▶ Open the drawers with care. If they are not used, they must be closed again.
- ▶ If the drawers are full, the appliance may tip over.

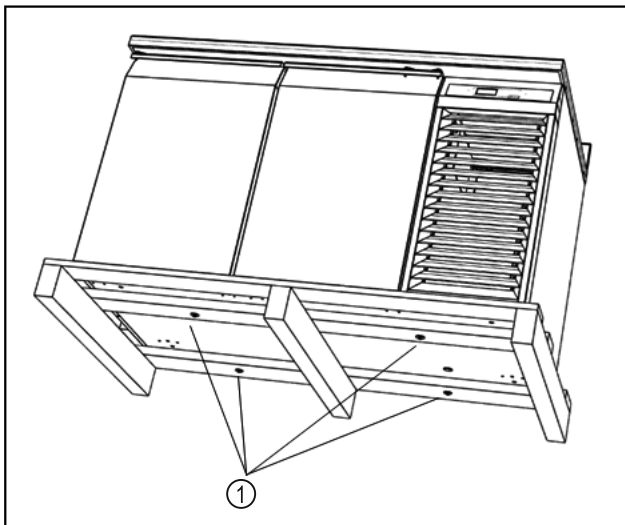


Fig. 7

- ▶ Remove screws. Fig. 7 (1)

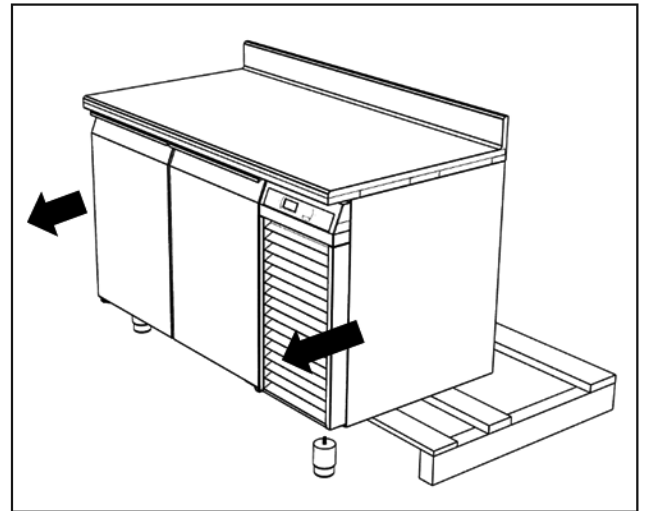


Fig. 8

- ▶ After removing the screws, push the appliance forward and mount the feet.

-or-

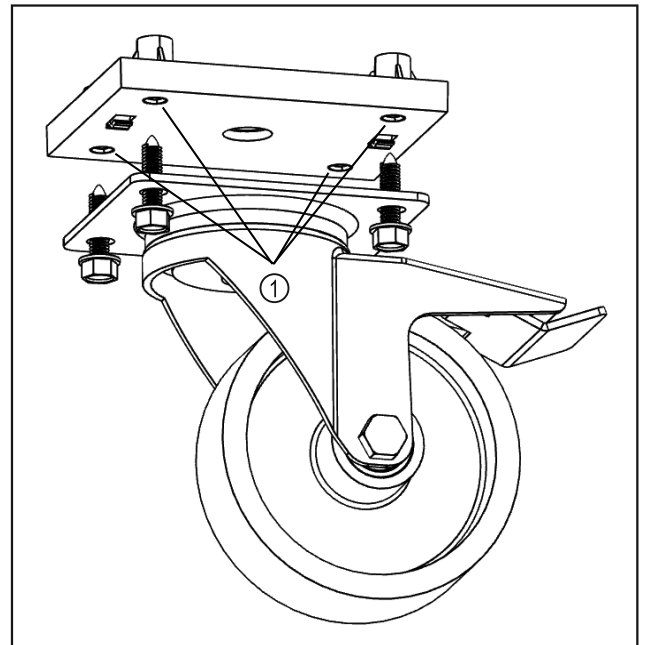


Fig. 9

- ▶ Mount optional castors at the indicated places. Fig. 9 (1)

3.6 Setting up the appliance so that it is level

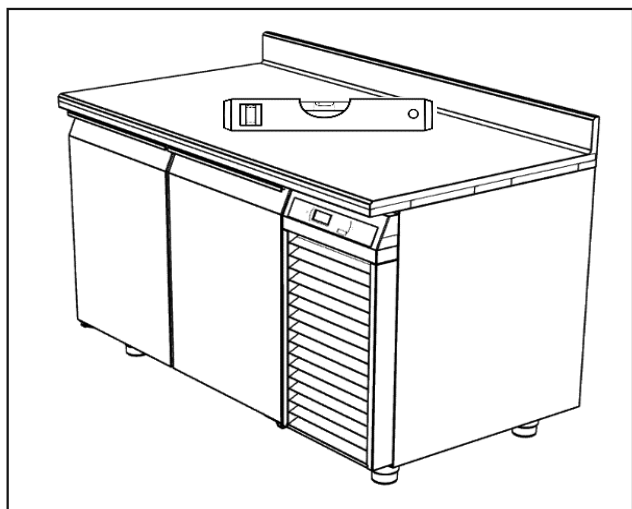


Fig. 10

- ▶ The appliance must be aligned horizontally and vertically. If the appliance does not stand horizontally, the body may become deformed, the doors and drawers may not close properly and the condensate cannot flow properly into the drip tray.

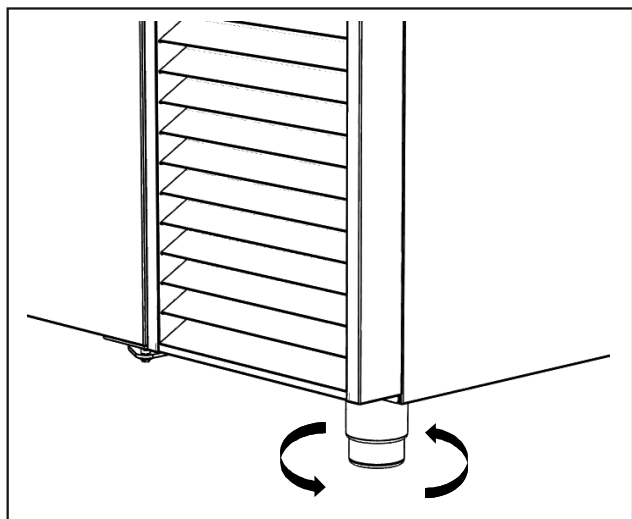


Fig. 11

- ▶ The foot height can be set from 100 mm to 150 mm. To adjust the height, turn the lower part of the foot.

3.7 Installing multiple appliances



CAUTION

Danger of slipping!

- ▶ If appliances are installed next to each other in a very humid environment, condensate can build up on the side walls.

3.8 After installation

- ▶ Take off the protective film from the exterior of the appliance.
- ▶ Clean appliance. (see 7.2 Cleaning the appliance)
- ▶ Retain the invoice so you have the appliance and dealer information available if needed.

3.9 Disposing of packaging



WARNING

Danger of suffocation due to packing material and plastic film!

- ▶ Do not allow children to play with packing material.

The packaging is made of recyclable materials:

- corrugated board/cardboard
- expanded polystyrene parts
- polythene bags and sheets
- polypropylene straps
- nailed wooden frame with polyethylene panel*



- ▶ Take the packaging material to an official collecting point.

3.10 Reversing the door hinge / removing the hinge

3.10.1 Removing the door hinge with closing spring

The L-shaped hinge is mounted on the inside of the lower door corner.

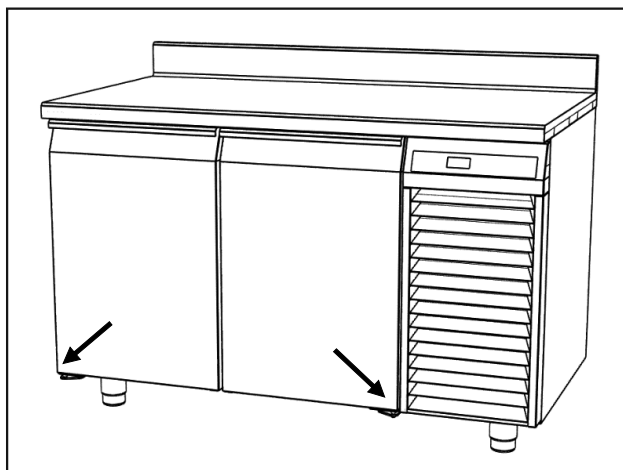


Fig. 12 Example illustration of hinge positions

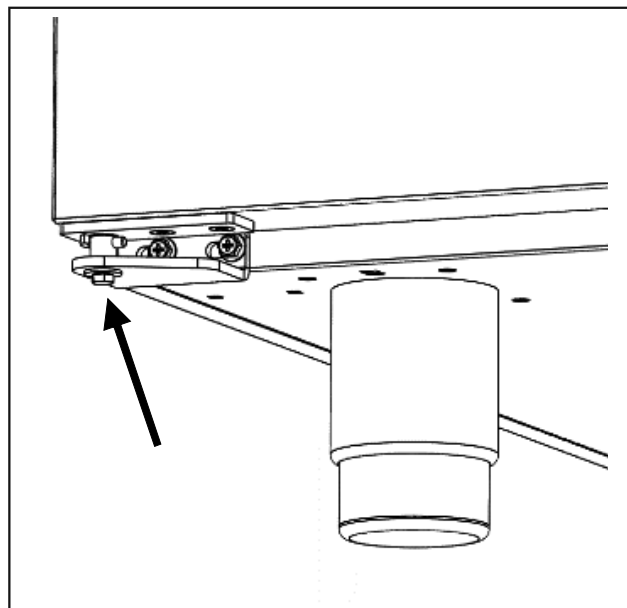


Fig. 13

Putting into operation

- ▶ The bearing pin is inserted in the lower bracket and secured with a screw.

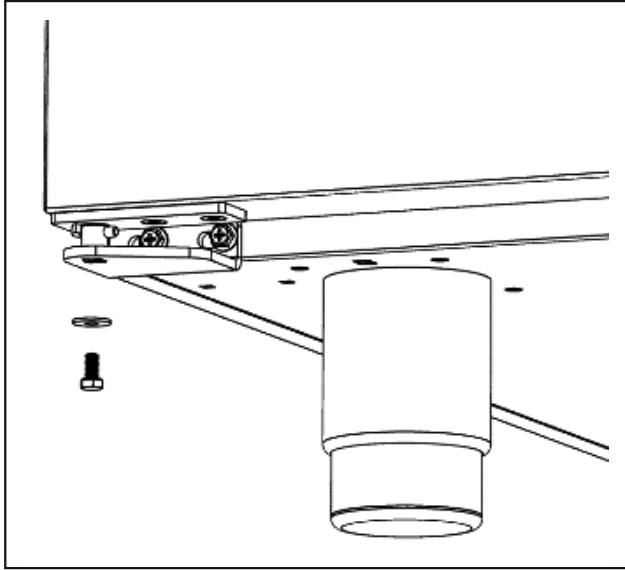


Fig. 14

- ▶ Loosen the screw.

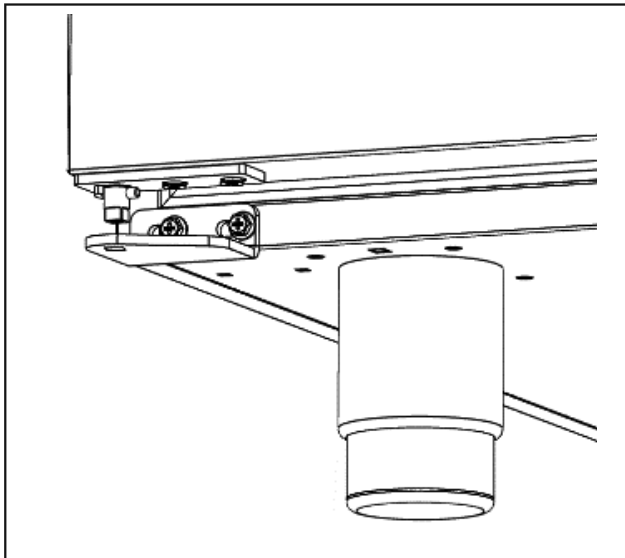


Fig. 15

- ▶ Lift the door.

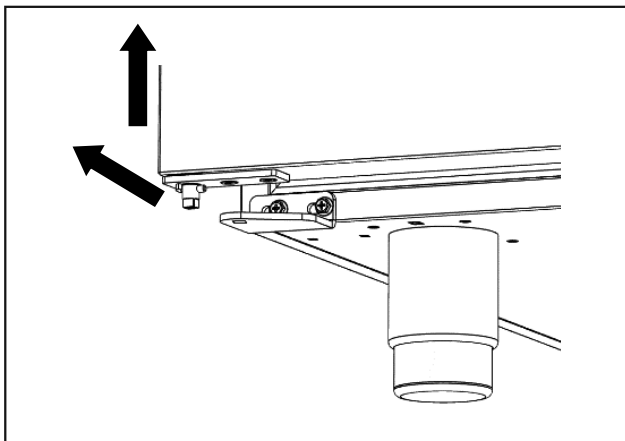


Fig. 16

- ▶ Pull the door out slightly to the front.

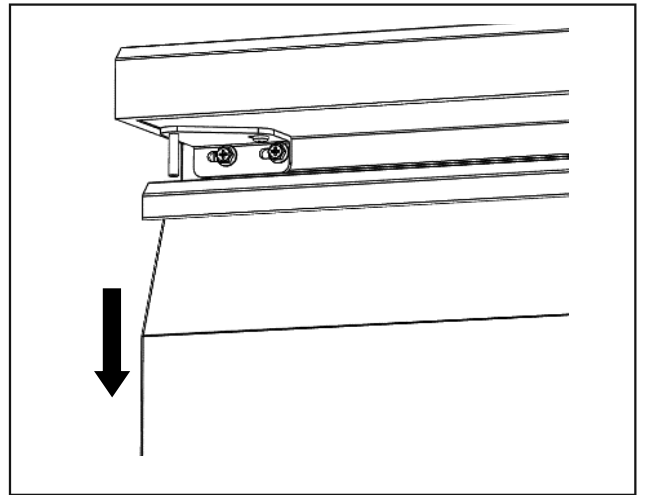


Fig. 17

- ▶ Pull the door down.

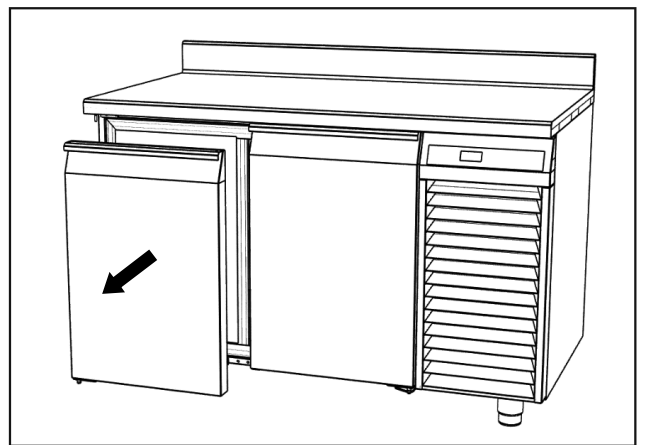


Fig. 18

- ▶ Carefully place the door on a soft surface.

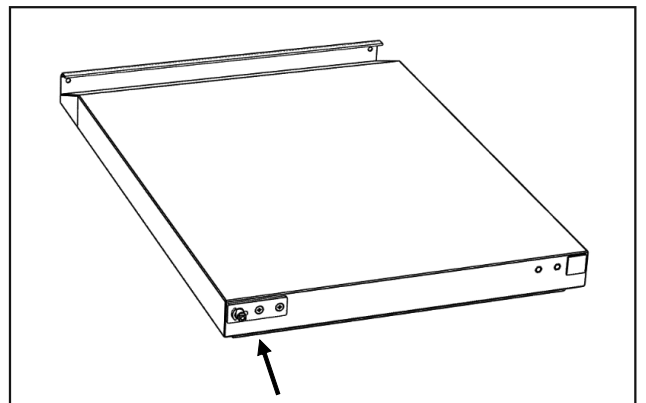


Fig. 19

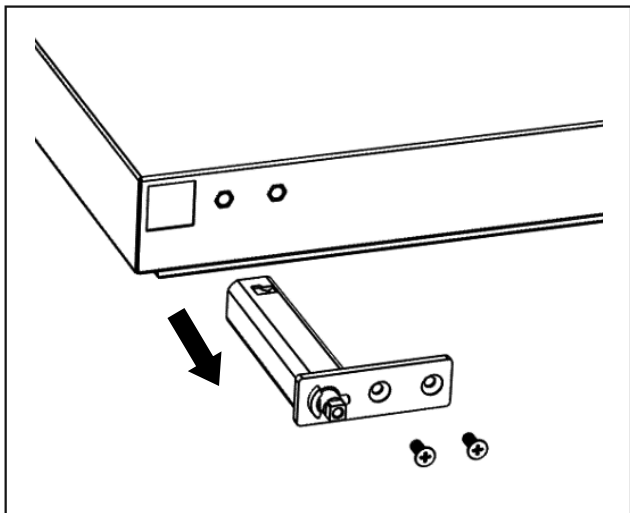


Fig. 20

- ▶ Loosen the screws.
- ▶ Remove the hinge bolt.

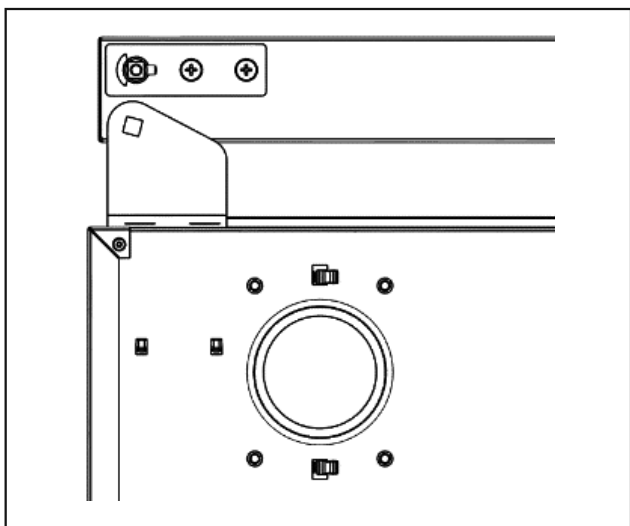


Fig. 21

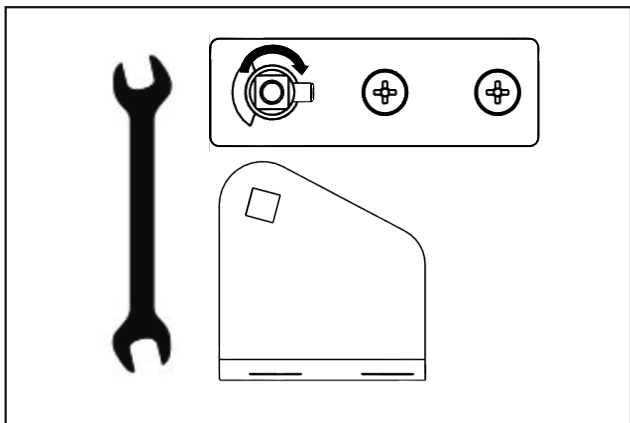


Fig. 22

- ▶ The square of the hinge bearing bolt must be adjusted with a spanner in order to insert it into the square hole of the bracket. (see Fig. 162)

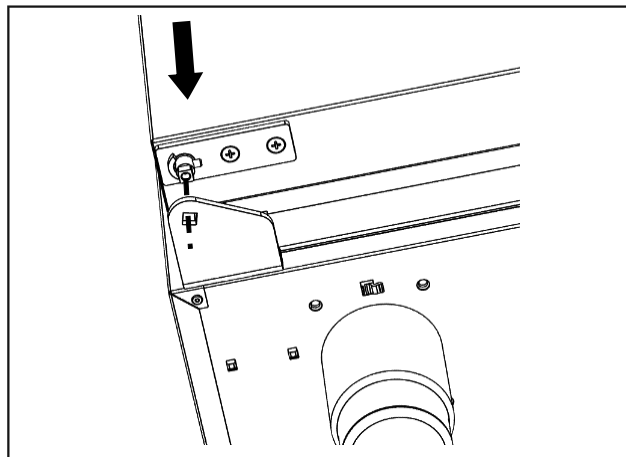


Fig. 23

- ▶ After exchanging the hinge, mount the door again in the reverse order.

3.10.2 Reversing the door hinge

The appliance is prepared for door hinges on either side. The hinge with closing spring can be used on both sides. The door hinge can be changed by exchanging the two bearing brackets (available as replacement parts).

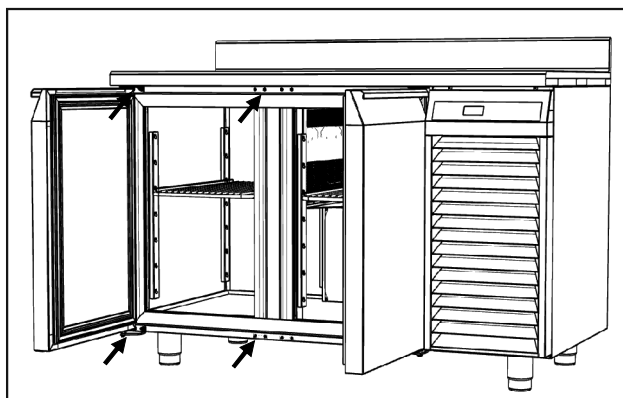


Fig. 24 Example illustration

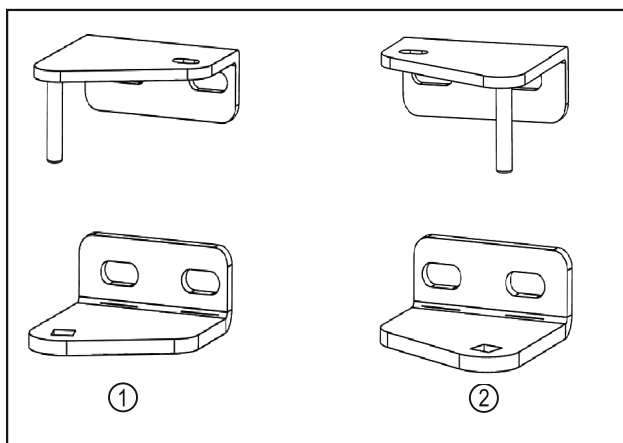


Fig. 25

(1) Left bearing bracket

(2) Right bearing bracket

Putting into operation

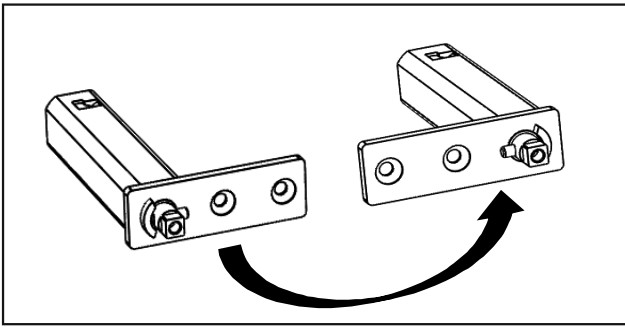


Fig. 26 Door hinge

- Dismantle the door as described in the previous section (see 3.10.1 Removing the door hinge with closing spring).

Note

- Before installing again, carry out the following steps.

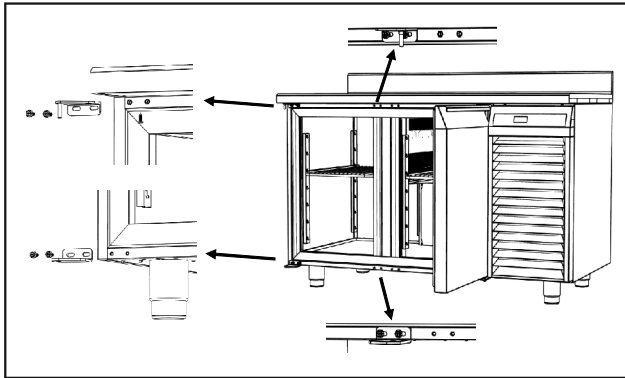


Fig. 27

- Remove the left bearing bracket and mount the right bearing bracket.

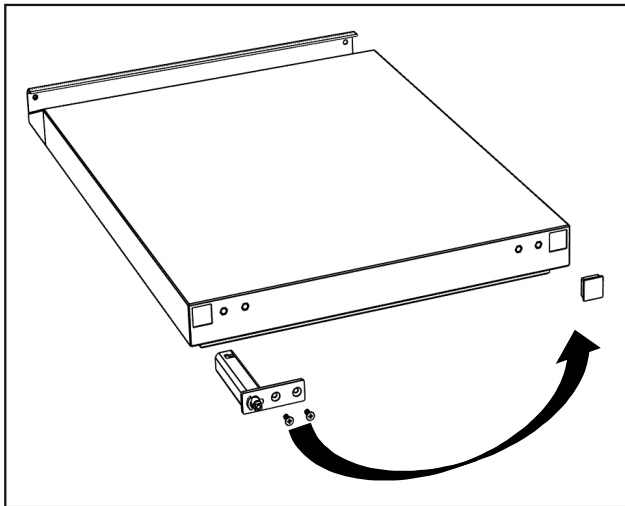


Fig. 28

- Remove the door hinge with closing spring. (see 3.10.1 Removing the door hinge with closing spring)
- Exchange the door hinge with closing spring and cover cap.

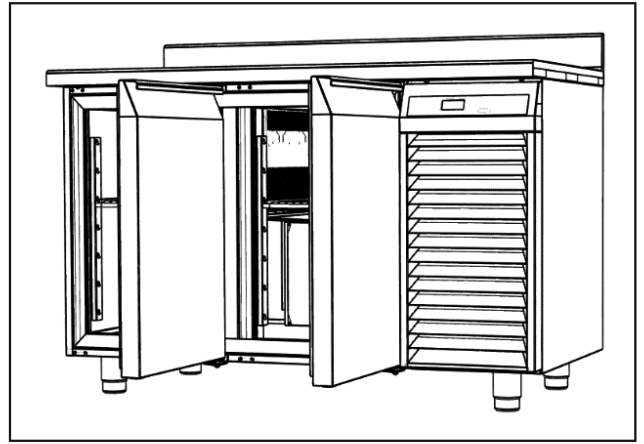


Fig. 29

3.11 Aligning the door

If the door is not straight, you can adjust it on the lower and upper hinge.

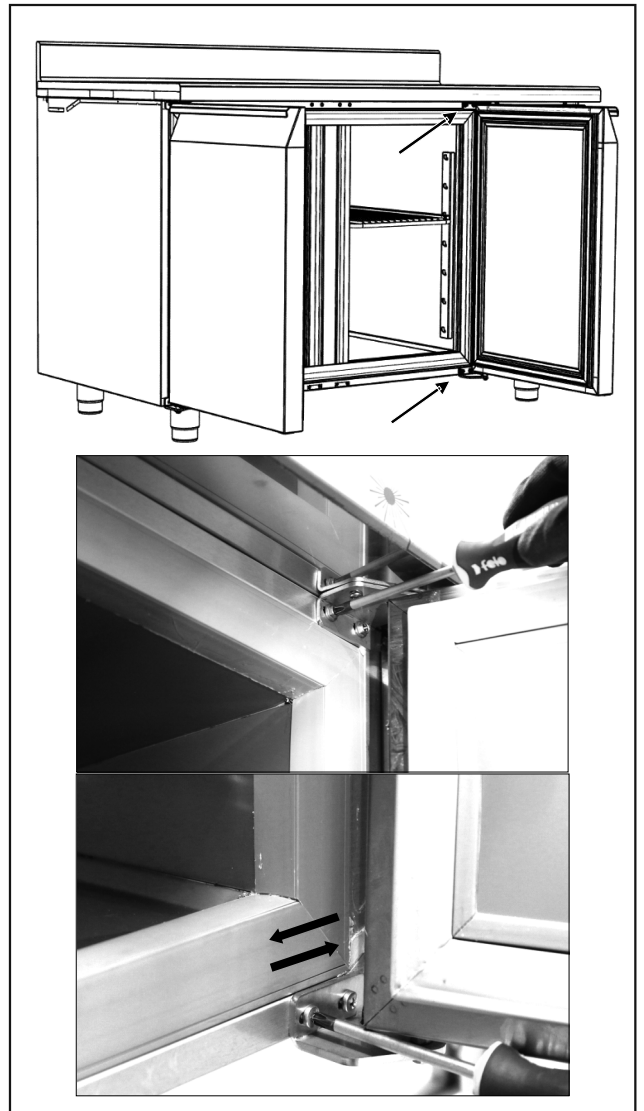


Fig. 30

- Slightly undo the screws and move the door with the hinge to the left or right.
- Fully tighten the screws.
- ▷ The door is now straight.

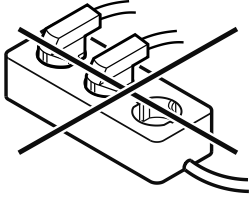
3.12 Connecting appliance



WARNING

Failure to connect properly
Fire hazard.

- ▶ Do not use an extension cable.
- ▶ Do not use distributor blocks.



NOTICE

Failure to connect properly
Damage to the electronics.





- ▶ Do not connect the appliance to a stand-alone inverter, e.g. solar power systems and petrol generators.
- ▶ Do not use an energy saving plug.

Make sure the following prerequisites are met:

- The appliance is operated using **alternating current** only.
- The permitted voltage and frequency is printed on the type plate. The type plate position can be seen in the appliance overview chapter. (see 1.2 Overview of appliance and equipment)
- The socket is earthed according to the regulations and fused.
- The fuse tripping current is between 10 A and 16 A.
- The socket is easily accessible.
- ▶ Check the electrical connection.
- ▶ Connect the mains plug to the power supply.

3.13 Switching on appliance (first use)

Make sure that the following requirements are fulfilled:

- Appliance is installed and connected.
- All adhesive strips, adhesive and protective films and transport locks are removed from inside and outside the appliance.
- ▶ Press button .
- ▷ The display shows the temperature in the appliance.
- ▷ The LED  flashes for a few minutes when the compressor is switched off (compressor start delay).
- ▷ The LED  changes from flashing to continuous light, the compressor starts and runs until the target temperature in the appliance is reached.
- ▷ During this phase, the LED  may flash alternately depending on the parameter setting of the fan start temperature.

4 Storage

4.1 Information regarding storage

Note

Failure to follow these guidelines can lead to food becoming spoiled.

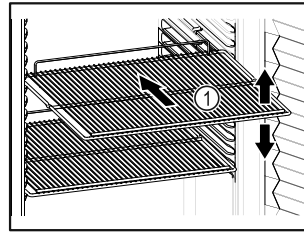


Fig. 31

When stocking observe the following:

- Position gird shelves Fig. 31 (1) according to the height required.
- Observe maximum load. (see 8.1 Technical specifications)
- Do not load appliance until storage temperature has been reached (maintain cold chain).
- Items for refrigeration must not come into contact with the evaporator on the rear wall.
- Keep liquids in closed containers.
- Pack raw meat or raw fish in clean closed containers so that they do not touch other food and cannot drip onto other food.
- Leave space when storing items for refrigeration to ensure good air circulation.

4.2 Storage times

The best-before date specified on the packaging should be used as the reference point for the storage time.

5 Controls

5.1 Control and display elements

The display provides a quick overview of the current appliance status, the temperature setting, the status of functions and settings as well as alarm and error messages.

It is operated using the navigation arrows and confirmation symbol.

Functions can be activated or deactivated and setting values can be changed.



Fig. 32 Display PlugIn

- | | |
|---------------------------------|-----------------------|
| (1) Switch appliance on or off. | (4) Reduce value |
| (2) Increase value | (5) Confirm |
| (3) Status display | (6) Manual defrosting |

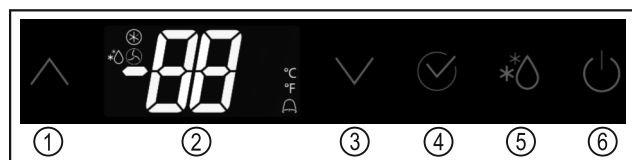



Fig. 33 Display Remote

- | | |
|--------------------|---------------------------------|
| (1) Increase value | (4) Confirm |
| (2) Status display | (5) Manual defrosting |
| (3) Reduce value | (6) Switch appliance on or off. |

 Pressing once displays the maximum saved temperature. During programming, the individual parameters are called up.

Controls

	Press briefly: Indicates the temperature of the evaporator sensor for a few seconds. Press for a few seconds: Starts manual defrosting.
	Indicates any temperature alarm data. During programming, the individual parameters are called up.
	Display or change target value. When programming, select a parameter or value and confirm it.
	Switch appliance on or off.

5.1.1 Status display

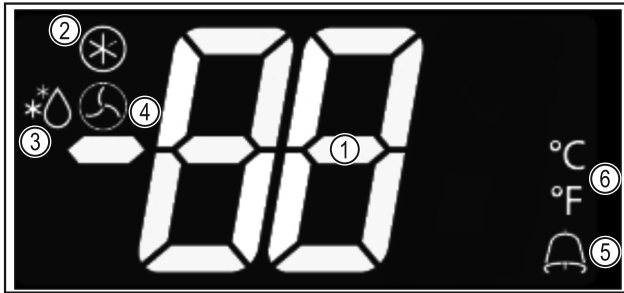


Fig. 34 Status display

- (1) Actual temperature
- (2) Compressor
- (3) Defrosting
- (4) Fan
- (5) Alarm
- (6) Temperature unit

LED	OPERATING MODE	MEANING
	Is lit up	Compressor is running
	Flashes	Start delay for the compressor to avoid short starts
	Is lit up	Defrosting is running
	Flashes	Drip phase is running
	Is lit up	Fan is running
	Flashes	Delayed fan start
	Is lit up	Temperature alarm
°C / °F	Is lit up	Programming
	Flashes	Unit

5.2 Functions

5.2.1 Switching appliance on and off

Switching on appliance

- ▶ Press button
- ▷ The display shows the temperature in the appliance.
- ▷ The LED flashes for a few minutes when the compressor is switched off (compressor start delay).
- ▷ The LED changes from flashing to continuous light, the compressor starts and runs until the target temperature in the appliance is reached.
- ▷ During this phase, the LED may flash alternately depending on the parameter setting of the fan start temperature.

Switching off appliance

- ▶ Press button

- ▷ "OFF" appears on the display.
- ▷ The electronics switch to **standby mode**.

5.2.2 Changing temperature

The set temperature is the target temperature which the appliance must reach and retain with a tolerance of +2 °C.

- ▶ Press button
- ▷ The display shows the set temperature flashing. The LED is flashing.
- ▶ With the and buttons, increase or reduce the value until the desired value is shown.
- ▶ Press the button and save the value.
- ▷ Temperature is set.

5.2.2 Operating cycle

When the target temperature is reached, the LED goes out and the compressor is switched off. The compressor starts running again as soon as the target temperature in the appliance interior is exceeded by +2 °C. The LED lights up again and the cycle is repeated.

Example: If the target temperature is +2 °C, the compressor switches on and off in order to keep the temperature between +2 °C and +4 °C.

5.2.3 Min. Max. temperature display

The registered maximum or minimum temperature can be displayed. This allows you to check that products are stored correctly.

Displaying registered maximum temperature

- ▶ Press button
- ▷ The text "hi" appears, followed by the registered maximum temperature value.

Displaying registered minimum temperature

- ▶ Press button
- ▷ The text "Lo" appears, followed by the registered minimum temperature value.

Deleting registered values

- ▶ Display the maximum or minimum temperature with the button or
- ▶ Press button
- ▷ The text "rST" flashes 3 times to confirm the successful deletion.

5.2.4 Manual defrosting

Note

Only use this function if automatic defrosting is insufficient.

Make sure the appliance is switched on.

- ▶ Keep the button pressed for a few seconds.
- ▷ The LED lights up.
- ▷ The defrosting cycle is automatically ended. The duration is dependent on the frost formation on the evaporator surface.
- ▷ After defrosting, the appliance automatically returns to normal operation.

5.3 Alarms

If an alarm is triggered, the LED  on the display lights up until the error is remedied.

In the case of an alarm, the display switches continuously between alarm and temperature, except for “P1”, where the display always flashes.

Message	Cause	Remedy
“P1” flashes; Error in the fridge temperature sensor.	Indicates an error in the fridge temperature sensor or that it has a faulty connection.	<ul style="list-style-type: none"> ▶ Emergency operation is automatically activated, which controls the compressor according to the values set in the general parameters. ▶ If the alarm remains active, contact Technical Service.
“P2” flashes; Error in evaporator temperature sensor.	Indicates an error in the evaporator temperature sensor or that it has a faulty connection.	<ul style="list-style-type: none"> ▶ If the alarm remains active, contact Technical Service.
“HA” flashes; Overtemperature.	Indicates that the fridge temperature has exceeded the permissible value.	<ul style="list-style-type: none"> ▶ The alarm ends automatically when the temperature is normal again, if defrosting takes place or the door is opened. ▶ If the alarm remains active, contact Technical Service.
“LA” flashes; Undertemperature.	Indicates that the fridge temperature has gone below the permissible value.	<ul style="list-style-type: none"> ▶ The alarm ends automatically when the temperature is normal again, if defrosting takes place or the door is opened. ▶ If the alarm remains active, contact Customer Service.
“EE” flashes; Memory error.	Faulty electronic data.	<ul style="list-style-type: none"> ▶ To reset, turn the appliance on and off. ▶ If the alarm remains active, contact Customer Service.

6 Features

7 Maintenance

7.1 Defrosting appliance

7.1.1 Defrosting

During operation, frost forms on the evaporator surface and reduces its effectiveness. Defrosting should remove the frost and restore the optimal effectiveness.

7.1.2 Automatic defrosting

Defrosting occurs automatically at predefined intervals. The evaporator sensor regulates the duration of defrosting, depending on the frost/ice formation on the evaporator, and ends the defrosting process when the defined evaporator temperature is reached.

7.2 Cleaning the appliance

7.2.1 Preparing



WARNING

Short-circuit hazard due to live parts!
Electric shock or damage to the electronics.

- ▶ **Switch off the appliance.**
- ▶ Pull out mains plug or switch off fuse.



WARNING

Risk of fire
▶ Do not damage the refrigeration circuit.

- ▶ Empty the appliance.
- ▶ Pull out the mains plug.

7.2.2 Cleaning housing

NOTICE

Improper cleaning!
Damage to the appliance.

- ▶ Only use soft cleaning cloths and ph-neutral all-purpose cleaners.
- ▶ Do not use abrasive sponges or steel wool which may cause scratches.
- ▶ Do not use any sharp or abrasive cleaning agents, nor any that contain sand, chloride or acid.



WARNING

Risk of injury and damage as a result of hot steam!
Hot steam can lead to burns and can damage the surfaces.

- ▶ Do not use any steam cleaners!

NOTICE

Risk of damage due to short circuit.

- ▶ When cleaning the appliance, make sure no water gets into the electrical components.

- ▶ Wipe the housing down with soft, clean cloth. If very dirty, use lukewarm water with a neutral cleaner. Glass surfaces can also be cleaned with glass cleaner.
- ▶ Clean condenser coil each year. If the condenser coil is not cleaned, this significantly reduces the efficiency of the appliance.

7.2.3 Cleaning interior



WARNING

Short-circuit hazard due to live parts!
Electric shock or damage to the electronics.

- ▶ **Switch off the appliance.**
- ▶ Pull out mains plug or switch off fuse.

Customer help



WARNING

Risk of injury and damage as a result of hot steam!
Hot steam can lead to burns and can damage the surfaces.
▶ Do not use any steam cleaners!

NOTICE

Improper cleaning!
Damage to the appliance.
▶ Only use soft cleaning cloths and ph-neutral all-purpose cleaners.
▶ Do not use abrasive sponges or steel wool which may cause scratches.
▶ Do not use any sharp or abrasive cleaning agents, nor any that contain sand, chloride or acid.

Note

▶ Defrost water drain (see 1.2 Overview of appliance and equipment) : Remove deposits using a thin material (for example a cotton bud).

Note

Do not damage or remove the type plate on the inside of the appliance. The type plate is important for Customer Service.

- ▶ Open the door.
- ▶ Empty the appliance.
- ▶ Clean interior and equipment parts with lukewarm water and a little detergent. Do not use any gritty or acidic cleaning agent or any chemical solvent.

7.2.4 After cleaning

- ▶ Wipe appliance and equipment parts dry.
- ▶ Connect and switch on appliance.
Once the temperature is sufficiently cold:
- ▶ put in items for refrigeration goods.
- ▶ Repeat cleaning regularly.
- ▶ Clean and dust refrigerators with a heat exchanger (metal grille on the rear of the appliance) once per year.

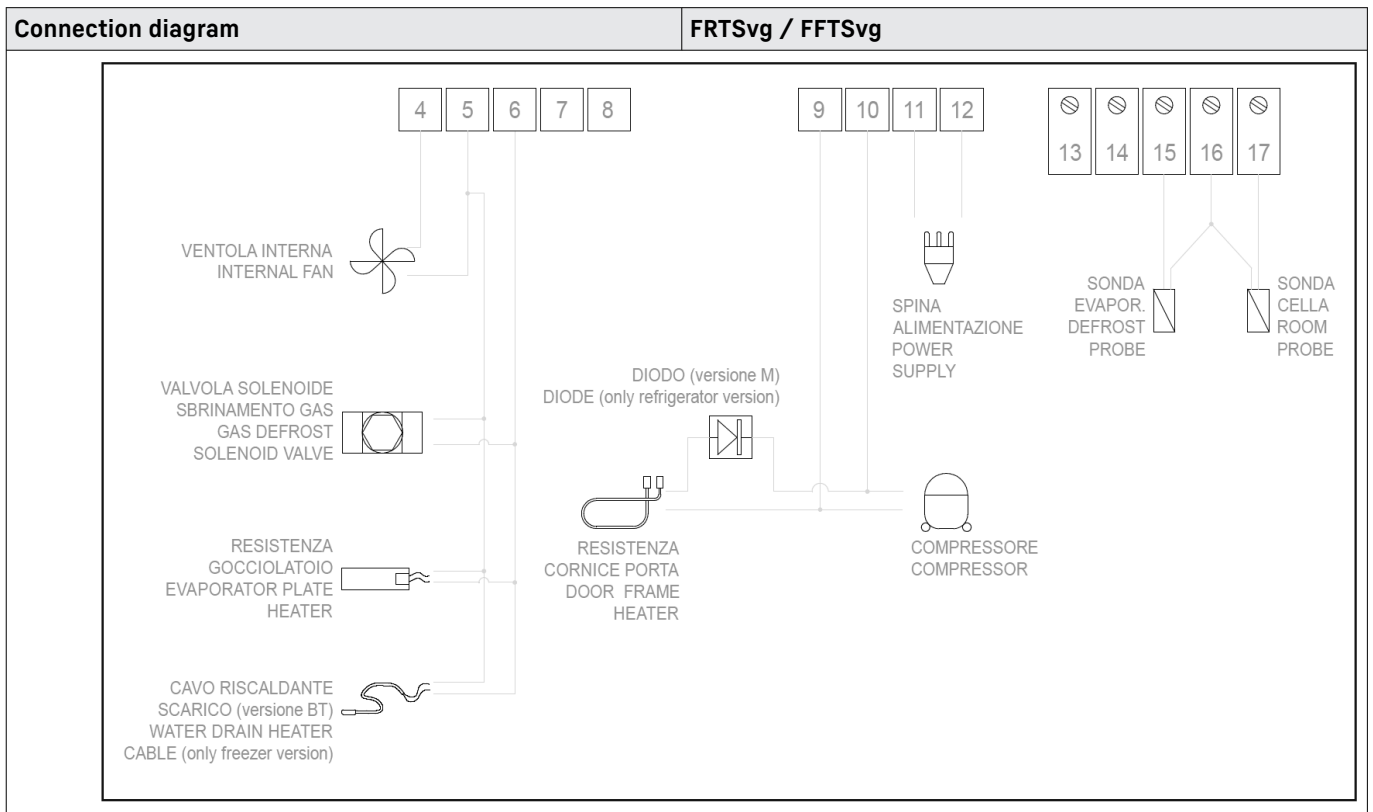
8 Customer help

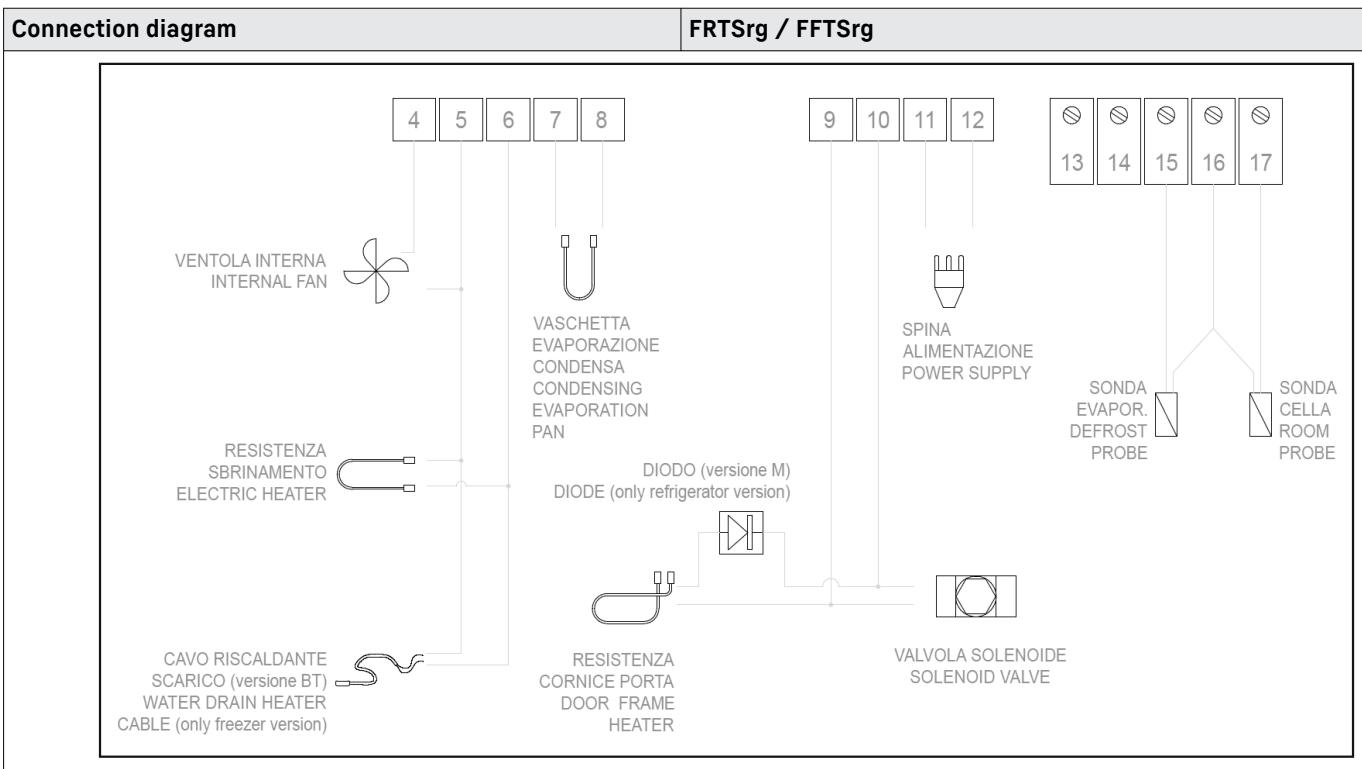
8.1 Technical specifications

Temperature range	
Cooling	-2 °C to +8 °C
Freezing	-10 °C to -20 °C

Maximum load per drawer
30 kg

Maximum load per storage rack
30 kg





8.2 Technical fault

Your appliance is designed and built to ensure it works reliably and has a long service life. In the unlikely event that a fault occurs during operation, please check whether the fault is due to an operating error. If this is the case, you will

be charged for the cost incurred even if this falls within the warranty period.

You can fix the following faults yourself.

8.2.1 Appliance function

Defect	Cause	Remedy
The appliance is not working.	→ The appliance is not switched on.	▶ Switch on the appliance.
	→ The mains plug is not properly plugged into the socket.	▶ Check the mains plug.
	→ There is something wrong with the fuse in the socket.	▶ Check fuse.
	→ Power cut	▶ Keep the appliance closed. ▶ Protect food: Lay cold storage accumulator on top of the food or use another freezer if the power is off for a prolonged period.* ▶ Do not re-freeze defrosted food.*
Temperature is not cold enough.	→ The appliance door is not closed properly.	▶ Close appliance door.
	→ Ventilation is not sufficient.	▶ Clear ventilation grille and clean it.
	→ The ambient temperature is too high.	▶ Ensure the correct ambient conditions:
	→ The appliance was opened too many times or for too long.	▶ Wait to see if the required temperature corrects itself. If not, contact Customer Service (see 8.3 Customer Service).
	→ The temperature is set incorrectly.	▶ Set a colder temperature and check after 24 hours.
	→ The appliance is too close to a heat source (oven, radiator, etc).	▶ Change where the appliance or the heat source are located.

8.3 Customer Service

First check whether you can rectify the fault yourself . If you cannot rectify the problem, contact Customer Service.

Please refer to the enclosed "Liebherr-Service" brochure for the address.

Shutting down



WARNING

Unprofessional repair!
Injuries.

- ▶ Have any repairs and action - not expressly specified - on the appliance and mains cable carried out by service personnel only. (see 7 Maintenance)
- ▶ A damaged mains cable may only be replaced by the manufacturer, the manufacturer's Customer Service or a similarly qualified person.
- ▶ In the case of appliances with an IEC connector, the change may be made by the customer.

8.3.1 Contacting Customer Service

Make sure you have the following appliance data at the ready:

- Appliance name (model and index)
- Service no. (Service)
- Serial no. (S no.)
- ▶ Access the appliance information via the display .
- or-
- ▶ Refer to the type plate for appliance information. (see 8.4 Type plate)
- ▶ Note down appliance information.
- ▶ Notify Customer Service: Report errors and the appliance information.
- ▷ This will help us to provide a fast and focussed service.
- ▶ Follow any further instructions provided by Customer Services.

8.4 Type plate

The type plate is inside the appliance. See appliance overview.

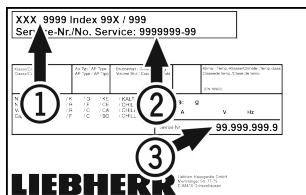


Fig. 35

- (1) Appliance designation
- (2) Service No.
- (3) Serial No.

9 Shutting down

- ▶ Empty the appliance.
- ▶ Switch off the appliance.
- ▶ Pull out the mains plug.
- ▶ Clean appliance (see 7.2 Cleaning the appliance) .
- ▶ Leave the door open so that no bad odours form.

Note

Damage to the appliance and malfunctions!

- ▶ After shutting down, only store the appliance at the permitted room temperature of between -10 °C and +50 °C.

10 Disposal

10.1 Preparing appliance for disposal



Li-Ion

Liebherr uses batteries in some of its appliances. In the EU, for environmental reasons, legislation obliges the end user to remove these batteries before disposing of old appliances. If your appliance contains batteries, a corresponding notice is attached.

Lamps If you can remove the lamps yourself without destroying them, also remove these before disposal.

- ▶ Take the appliance out of operation.
- ▶ Appliances with batteries: remove the batteries. For description, see **Maintenance** chapter.
- ▶ If possible: remove lamps without destroying them.

10.2 Disposing of the appliance in an environmentally friendly manner



The appliance still contains valuable materials and must be disposed of separately from unsorted municipal waste.



Li-Ion



Li-Ion

Dispose of batteries separately from the old appliance. To do this, you can return the batteries free of charge to retailers as well as recycling centres and collection centres for recyclable materials.

Lamps

Dispose of removed lamps via the respective collection systems.

For Germany:

You can dispose of the appliance free of charge via the class 1 collection containers at the local recycling and recyclable material collection centres. When purchasing a new fridge/freezer, if the sales area > 400 m², retailers will also take back the old appliance free of charge.



WARNING

Leaking coolant and oil!

Fire. The coolant contained in the appliance is eco-friendly, but also flammable. The oil contained in the appliance is flammable. Escaping coolant and oil can ignite if the concentration is high enough and in contact with an external heat source.

- ▶ Do not damage the pipelines of the coolant circuit and the compressor.

- ▶ Transport the appliance without damaging it.
- ▶ Dispose of batteries, lamps and the appliance according to the above specifications.

11 Additional information

Further information on warranty conditions can be found in the enclosed service brochure or on the Internet at <https://home.liebherr.com>.



home.liebherr.com/fridge-manuals

EN Refrigerator and freezer
ORIGINAL OPERATOR'S MANUAL

Issue date: 20221011

Part number index: 7083350-00

Liebherr-Hausgeräte Ochsenhausen GmbH
Memminger Straße 77-79
88416 Ochsenhausen
Deutschland