

# EFE 2252

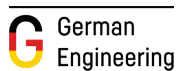
Impulse Sales Chest Freezer



**LIEBHERR**

# EFE 2252

## Impulse Sales Chest Freezer



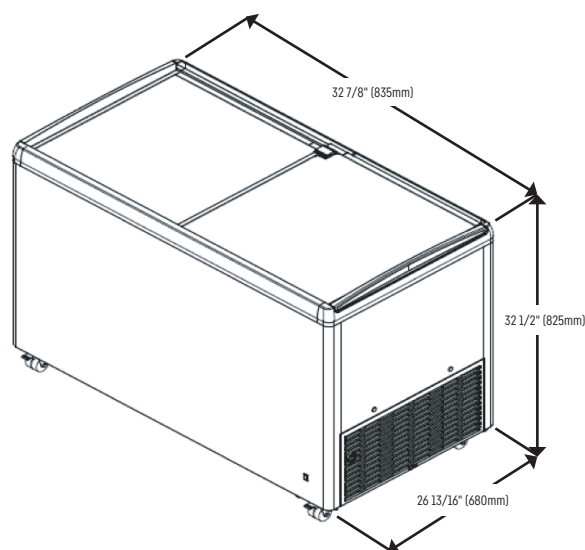
home.liebherr.com



### EFE 2252

Total gross/net capacity l (cu.ft.)	7.8 / 5.8 (220 / 163)
Exterior dimensions in inches (w/d/h) in mm (w/d/h)	32 7/8" / 26 13/16" / 32 1/2" 835 / 680 / 825
Interior dimensions in inches (w/d/h) in mm (w/d/h)	28" / 21 1/8" / 20 5/8" 710 / 535 / 523
Total display area in m <sup>2</sup> (TDA)/ft <sup>2</sup>	0.42 / 4.52
Energy Consumption in 365 days*	459 kWh
Ambient temperature in °C (°F)	50°F to 95°F (10°C to 35°C)
Refrigerant	R290
Sound rating**	42 dB(A)
Connection rating	2.5 A/199 W
Frequency/voltage	60 Hz/115 - 127V~
Cooling system/Defrost	Static/Manual
Temperature range in °C (°F)	14°F to -11°F (-10°C to -24°C)
Lid material	Sliding glass lid
External cabinet finish	Steel/White
Internal liner material	Steel
Frame color	Grey
Type of control / Temperature display	Analog control/internal analogue
Interior Light	LED
Number of baskets	3
Number of baskets, max. (see picture)	3
Castors	Swivel casters
Lock	Can be retrofitted
Insulation in inches (mm)	2 3/8" (60)
Water drain	Yes
Gross/net weight in Kg (lbs)	121.5 / 106.7 (55.1 / 48.4)

### Unit Dimensions



### Accessories

<b>Basket 270 mm</b>	7111095
<b>Basket 210 mm</b>	7111097
<b>Partition grid 270 mm</b>	7111029
<b>Partition grid 210 mm</b>	7111784
<b>Rubber bumpers, grey</b>	7266707
<b>Cylinder lock for glass sliding lid</b>	7043660
<b>Scoop ice cream containers</b>	on request
<b>Baskets for scoop ice cream containers</b>	on request
<b>External thermostat dial</b>	on request

Subject to modification. For up-to-date information, visit home.liebherr.com.

\* Measured unloaded at 26.6°C (80°F) ambient temperature with set point of 3.3°C (38°F).

\*\* Noise level - sound power re 1pW - according to IEC 60704-2-14.

# LIEBHERR