

---

# LH 60 Port Litronic

---

## LIEBHERR

Material handling machine



**Generation**  
6

**Operating weight**  
132,100–179,200 lb\*

\* Without attachment

**Engine**  
Stage V  
Stage IIIA (compliant)  
Tier 4 Final  
Electric

## Performance

Power plus speed –  
Redefined performance

## Economy

Good investment –  
Savings for long-term

## Reliability

Durability and sustainability –  
Quality down to the last detail

## Comfort

Perfection at a glance –  
When technology is comfortable

## Maintainability

Efficiency bonus –  
Even with maintenance and service



### LH 60 M Port Litronic

**Operating weight**  
132,100–147,700 lb\*

**Engine**  
255 HP / 190 kW (Diesel)  
180 kW (Electric)  
Stage V  
Stage IIIA (compliant)  
Tier 4 Final  
Electric

**System performance**  
322 kW (Diesel)  
312 kW (Electric)

\* Without attachment



## LH 60 C Port Litronic

**Operating weight**  
143,700–157,900 lb\*

**Engine**  
255 HP / 190 kW (Diesel)  
180 kW (Electric)  
Stage V  
Stage IIIA (compliant)  
Tier 4 Final  
Electric

**System performance**  
322 kW (Diesel)  
312 kW (Electric)

## LH 60 M High Rise Port Litronic

**Operating weight**  
157,200–177,000 lb\*

**Engine**  
255 HP / 190 kW (Diesel)  
180 kW (Electric)  
Stage V  
Stage IIIA (compliant)  
Tier 4 Final  
Electric

**System performance**  
322 kW (Diesel)  
312 kW (Electric)

## LH 60 C High Rise Port Litronic

**Operating weight**  
159,400–179,200 lb\*

**Engine**  
255 HP / 190 kW (Diesel)  
180 kW (Electric)  
Stage V  
Stage IIIA (compliant)  
Tier 4 Final  
Electric

**System performance**  
322 kW (Diesel)  
312 kW (Electric)

# Technical data

## Diesel engine

<b>Rating</b>	
per SAE J1349	255 HP (190 kW) at 1,800 rpm
per ISO 9249	258 HP (190 kW) at 1,800 rpm
<b>Model</b>	Liebherr D944
<b>Type</b>	4 cylinder in-line
Bore / Stroke	5.1 / 5.9 in
Displacement	488 in <sup>3</sup>
<b>Engine operation</b>	4-stroke diesel Common-Rail Turbo-charged and after-cooled Reduced emissions
<b>Air cleaner</b>	Dry-type air cleaner with pre-cleaner, primary and safety elements
<b>Engine idling</b>	Sensor controlled
<b>Electrical system</b>	
Voltage	24 V
Batteries	2 x 180 Ah / 12 V
Alternator	Three-phase current 28 V / 140 A
<b>Stage V</b>	
Harmful emissions values	According to regulation (EU) 2016/1628
Emission control	Liebherr-SCR Filter technology
Fuel tank	138 gal
Urea tank	17 gal
<b>Stage IIIA (compliant)</b>	
Harmful emissions values	In accordance with ECE-R.96 Power Band H
Fuel tank	138 gal
<b>Tier 4 Final</b>	
Harmful emissions values	In accordance with 40CFR1039 (EPA) / 13CCR (CARB)
Emission control	Liebherr-SCR technology
Fuel tank	138 gal
Urea tank	17 gal

## Electric motor

<b>Rating</b>	180 kW at 1,800 rpm
<b>Type</b>	Three-phase squirrel cage motor
<b>Secondary electric motor</b>	Electric motor auxiliary equipment (air-conditioning compressor, alternator 24 V) 15 kW
<b>Electrical system energy supply</b>	Frequency converter fed drive system Heavy-duty version
<b>Supply voltage</b>	
Low voltage	380 V, 400 V
Frequency	50 / 60 Hz
<b>Engine idling</b>	Sensor controlled
<b>Electrical system</b>	Battery-assisted Control system, lighting, diagnostics system
Voltage	24 V
Batteries	2 x 135 Ah / 12 V
Alternator	Three-phase current 28 V / 140 A

Deviating parameters of the power supply system must always be clarified with Liebherr-Hydraulikbagger GmbH.

## Cooling system

<b>Diesel engine</b>	Water-cooled Compact cooling system consisting cooling unit for water, hydraulic oil and charge air with stepless thermostatically controlled fan
<b>Electric motor</b>	Air-cooled Cooling system for hydraulic oil with an infinitely variable, thermostatically controlled fan drive system

## Hydraulic controls

<b>Power distribution</b>	Via control valves with integrated safety valves, simultaneous actuation of chassis and equipment. Swing drive in separate closed circuit
<b>Servo circuit</b>	
Equipment and swing	With electro-hydraulic pilot control and proportional joystick levers
Chassis mobile	Electro-proportional via foot pedal
Chassis crawler	With electric proportionally functioning foot pedals or adjusted with plugable levers
<b>Additional functions</b>	Via switch or electro-proportional foot pedals
Proportional control	Proportionally acting transmitters on the joysticks for additional hydraulic functions

## Hydraulic system

<b>Hydraulic pump</b>	
For equipment and travel drive	2 Liebherr axial piston variable displacement pumps (double construction)
Max. flow	2 x 80 gpm
Max. pressure	5,076 psi
For swing drive	Reversible axial piston variable displacement pump, closed-loop circuit
Max. flow	53 gal
Max. pressure	5,366 psi
<b>Hydraulic pump regulation and control</b>	2 circuit Liebherr-Synchron-Comfort-system (LSC) with electronic engine speed sensing regulation, pressure and flow compensation, automatic oil flow optimizer
<b>Hydraulic tank</b>	70 gal
<b>Hydraulic system</b>	240 gal
<b>Filtration</b>	2 main return filters with integrated partial micro filtration (5 µm)
<b>MODE selection</b>	Adjustment of engine and hydraulic performance via a mode pre-selector to match application, e.g. for especially economical and environmentally friendly operation or for maximum material handling and heavy-duty jobs
S (Sensitive)	Mode for precision work and lifting through very sensitive movements
E (Eco)	Mode for especially economical and environmentally friendly operation
P (Power)	Mode for high performance with low fuel consumption
P+ (Power-Plus)	Mode for highest performance and for very heavy duty applications, suitable for continuous operation
<b>Engine speed and performance setting</b>	Stepless alignment of engine output and hydraulic power via engine speed
Option	Tool Control: 20 pre-adjustable pump flows and pressures for add-on attachments

## Swing drive

<b>Drive</b>	Liebherr axial piston motor in a closed system, Liebherr planetary reduction gear
<b>Swing ring</b>	Liebherr, sealed race ball bearing swing ring, internal teeth
<b>Swing speed</b>	0-6.5 rpm stepless
<b>Swing torque</b>	87,032 lbf ft
<b>Holding brake</b>	Wet multi-disc (spring applied, pressure released)
<b>Option</b>	Slewing gear brake Comfort



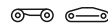
## Cab

<b>Cab</b>	Safety cab structure with individual windscreens or featuring a slide-in subpart under the ceiling, work headlights integrated in the ceiling, a door with a sliding window (can be opened on both sides), large stowing and depositing possibilities, shock-absorbing suspension, sound damping insulating, tinted laminated safety glass, separate shades for the sunroof window and windscreen
High Rise	Deviating from standard: safety cab structure with fixed built-in front and roof window made from impact-resistant laminated safety glass
<b>Operator's seat Comfort</b>	Air cushioned operator's seat with 3D-adjustable armrests, headrest, lap belt, seat heater, adjustable seat cushion inclination and length, lockable horizontal suspension, automatic weight adjustment, adjustable suspension stiffness, pneumatic lumbar vertebrae support and passive seat climatization with active coal
<b>Operator's seat Premium (Option)</b>	In addition to operator's seat comfort: active electronic weight adjustment (automatic readjustment), pneumatic low frequency suspension and active seat climatization with active coal and ventilator
<b>Arm consoles</b>	Joysticks with control consoles and swivel seat, folding left control console
<b>Operation and displays</b>	Large high-resolution operating unit, self-explanatory, color display with touchscreen, video-compatible, numerous setting, control and monitoring options, e.g. air conditioning control, fuel consumption respectively energy consumption, machine and attachment parameters
<b>Air-conditioning</b>	
Diesel engine	Automatic air-conditioning, recirculated air function, fast de-icing and demisting at the press of a button, air vents can be operated via a menu; recirculated air and fresh air filters can be easily replaced and are accessible from the outside; heating-cooling unit, designed for extreme outside temperatures, sensors for solar radiation, inside and outside temperatures
Electric motor	In addition to diesel engine: stationary air conditioning function with external climate condenser - controlled by a weekly timer



## Equipment

<b>Type</b>	Weight-optimized design for bulk and general cargo handling at optimal handling capacity. Complex and stable mountings of equipment and cylinders
<b>Hydraulic cylinders</b>	Liebherr cylinders with special sealing and guide system and, depending on cylinder type, shock absorption
<b>Energy recovering cylinder</b>	Liebherr gas cylinder with special sealing and control system
<b>Bearings</b>	Sealed, low maintenance



## Undercarriage

<b>Mobile</b>	
Versions	Standard, High Rise
Drive	One axle drive per drive axle with Liebherr axial piston motor and functional brake valve on both sides
Travel speed	0-7.5 mph stepless
Joystick steering	0-2.5 mph stepless (creeper speed) (Diesel) 0-2.3 mph stepless (creeper speed) (Electric) 0-6.2 mph stepless (High Rise) 0-2.2 mph stepless (creeper speed) (High Rise)
Driving operation	Automotive driving using accelerator pedal, cruise control function: storage of variable accelerator pedal positions
Axles	154,300 lb / 198,400 lb drive axles (LH 60 M / LH 60 M High Rise); manual or automatic hydraulically controlled front axle oscillation lock
Service brake	Two circuit travel brake system with accumulator; disc brake
Holding brake	Wet multi-disc (spring applied, pressure released)
Stabilization	4 point outriggers
<b>Crawler</b>	
Versions	SW, High Rise
Drive	Liebherr compact planetary reduction gear with Liebherr axial piston motor per side of undercarriage
Travel speed	0-2.5 mph stepless 0-1.7 mph stepless (creeper speed) 0-2.5 mph stepless (High Rise) 0-1.6 mph stepless (creeper speed) (High Rise)
Brake	Functional brake valves on both sides
Holding brake	Wet multi-disc (spring applied, pressure released)
Track pads	Triple grouser, flat
Tracks	Sealed and greased

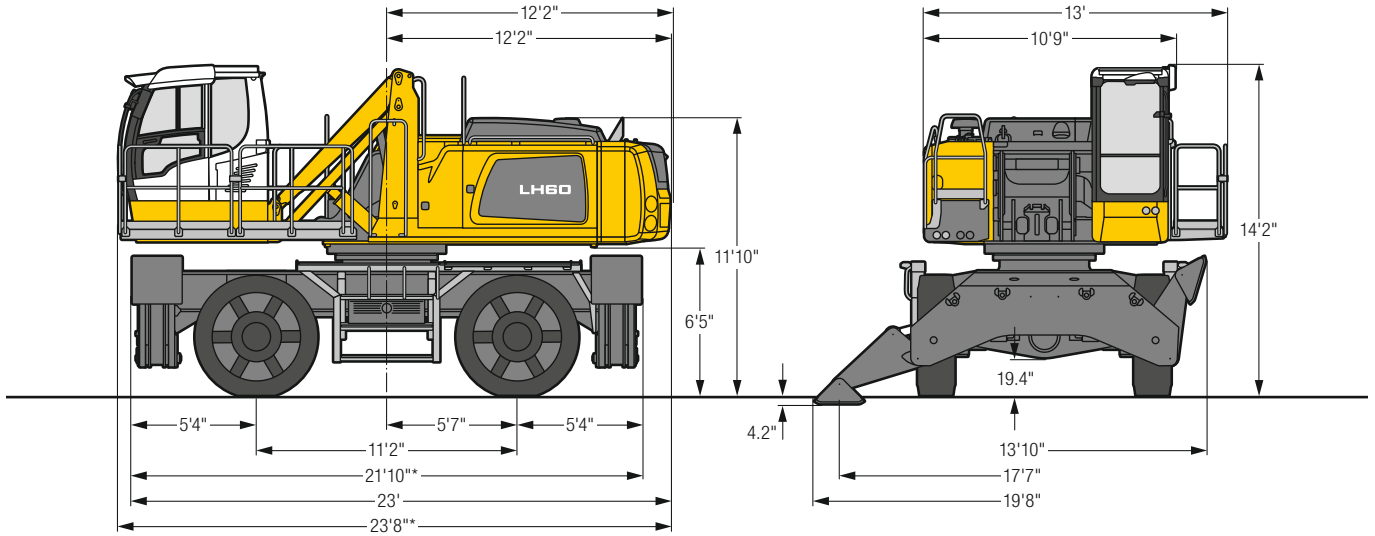


## Complete machine

<b>Lubrication</b>	Liebherr central lubrication system for uppercarriage and equipment, automatically
Mobile (Option)	Liebherr central lubrication system for undercarriage, automatically
<b>Steps system</b>	Safe and durable access system with anti-slip steps; main components hot-galvanized
<b>Noise emission</b>	
ISO 6396 (Stage V)	70 dB(A) = L <sub>PA</sub> (inside cab)
2000/14/EC (Stage V)	103 dB(A) = L <sub>WA</sub> (surround noise)
ISO 6396 (Stage IIIA compliant)	not specified
2000/14/EC (Stage IIIA compliant)	not specified
ISO 6396 (Tier 4 Final)	70 dB(A) = L <sub>PA</sub> (inside cab)
2000/14/EC (Tier 4 Final)	103 dB(A) = L <sub>WA</sub> (surround noise)
ISO 6396 (Electric)	70 dB(A) = L <sub>PA</sub> (inside cab)
2000/14/EC (Electric)	103 dB(A) = L <sub>WA</sub> (surround noise)

# LH 60 M – Dimensions

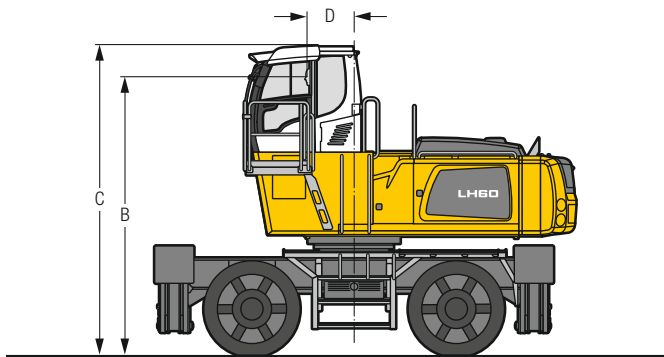
## Port



\* For electric machines, the length of the machine is increased accordingly by the trailing cable / cable reel system. Detailed dimensions are available on request.

# LH 60 M – Choice of cab elevation

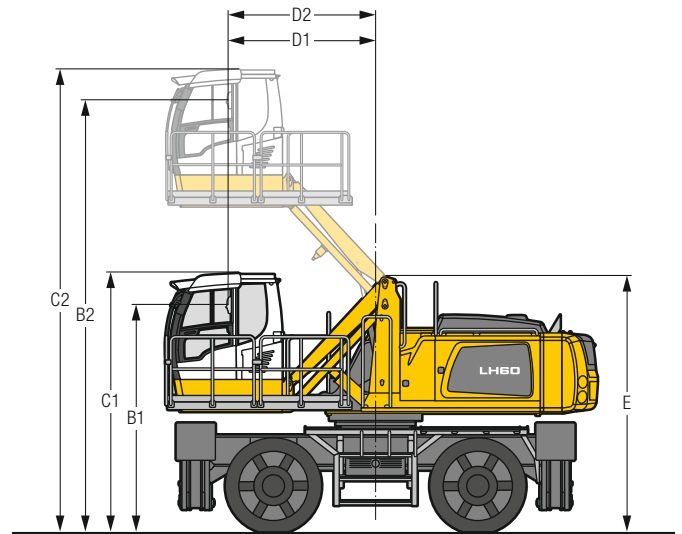
## Cab elevation LFC (rigid elevation)



Increase type	LFC 120
Height	3'11"
B	15' 3"
C	16'11"
D	2' 7"

A rigid cab elevation has a fixed eye level height. For a lower transport height, the shell of the cab can be removed and replaced by a transport device. The dimension C is in this machine design for all rigid cab elevations 14'.

## Cab elevation LHC (hydraulic elevation)



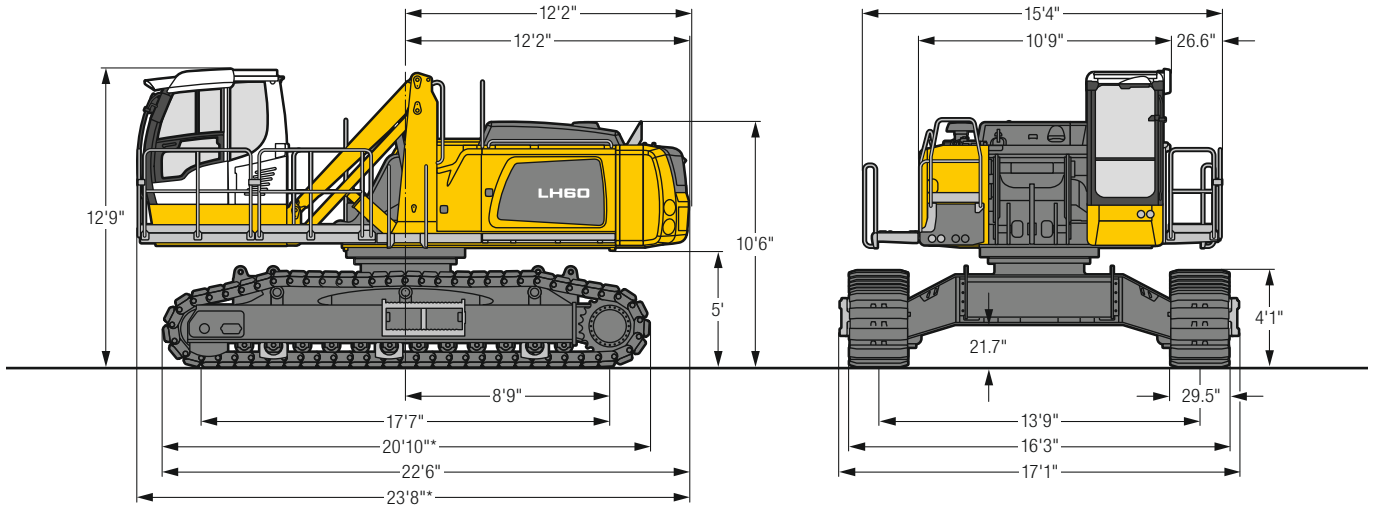
Increase type	LHC 255	LHC 340-35
B1	11' 3"	12'5"
B2	19' 8"	23'8"
C1	12'11"	14'2"
C2	21' 4"	25'4"
D1	4' 5"	8'1"
D2	4'10"	8'1"
E	12' 8"	13'11"

The hydraulically adjustable cab allows the driver, that he can choose his field of view freely and at any time within the stroke.

Tires 18.00-25

# LH 60 C – Dimensions

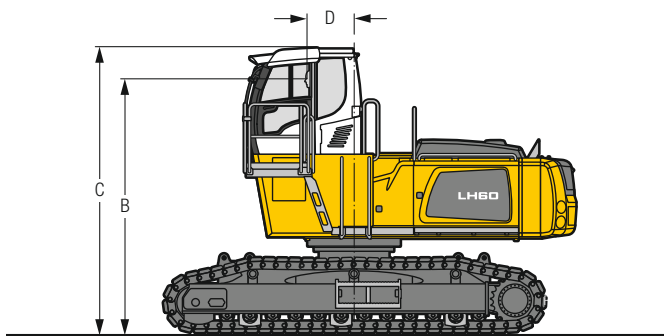
## Port



\* For electric machines, the length of the machine is increased accordingly by the trailing cable / cable reel system. Detailed dimensions are available on request.

# LH 60 C – Choice of cab elevation

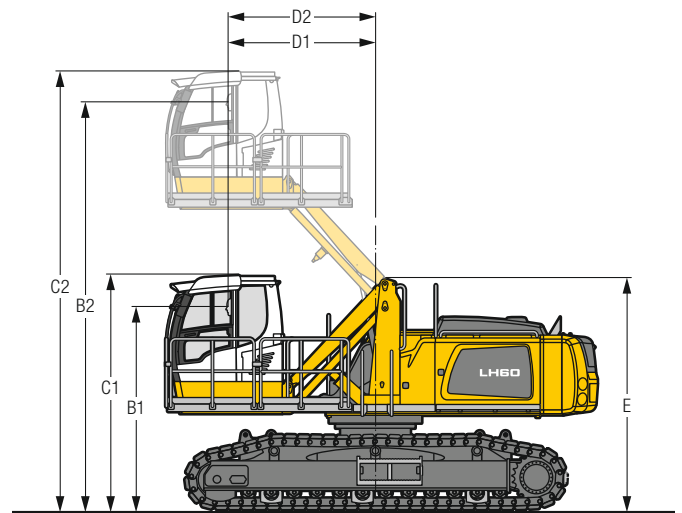
## Cab elevation LFC (rigid elevation)



Increase type	LFC 120
Height	3'11"
B	13'10"
C	15' 7"
D	2' 7"

A rigid cab elevation has a fixed eye level height. For a lower transport height, the shell of the cab can be removed and replaced by a transport device. The dimension C is in this machine design for all rigid cab elevations 127".

## Cab elevation LHC (hydraulic elevation)

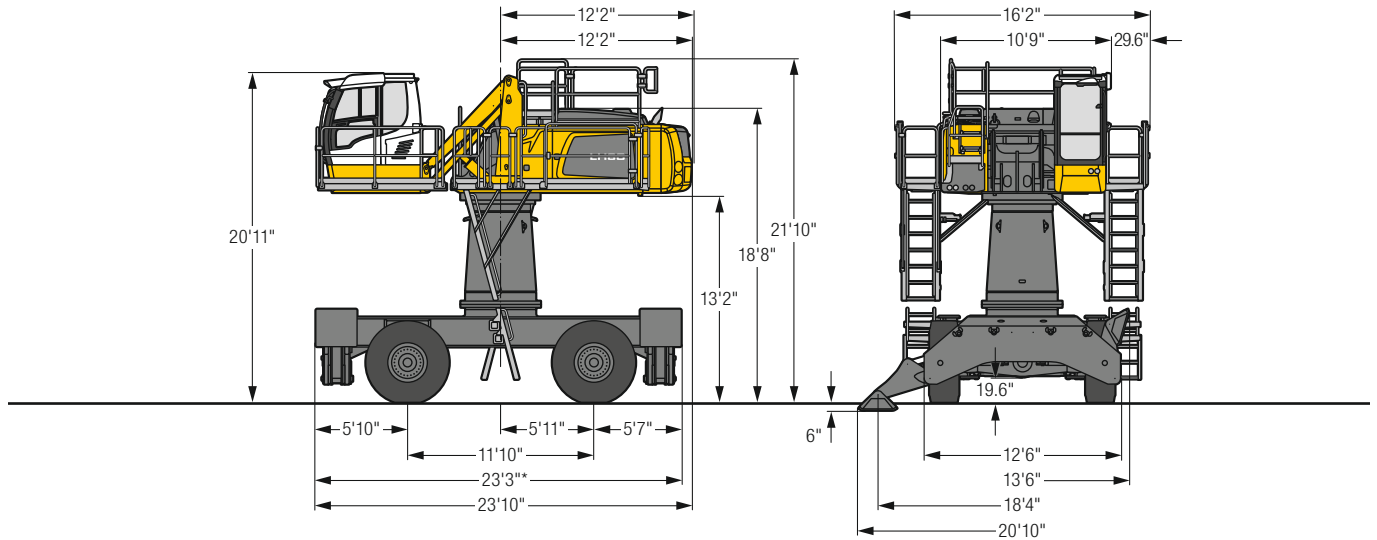


Increase type	LHC 255	LHC 340-35
B1	9'11"	11'1"
B2	18' 3"	22'3"
C1	11' 7"	12'9"
C2	20'	24'
D1	4' 5"	8'1"
D2	4'10"	8'1"
E	11' 3"	12'7"

The hydraulically adjustable cab allows the driver, that he can choose his field of view freely and at any time within the stroke.

# LH 60 M HR – Dimensions

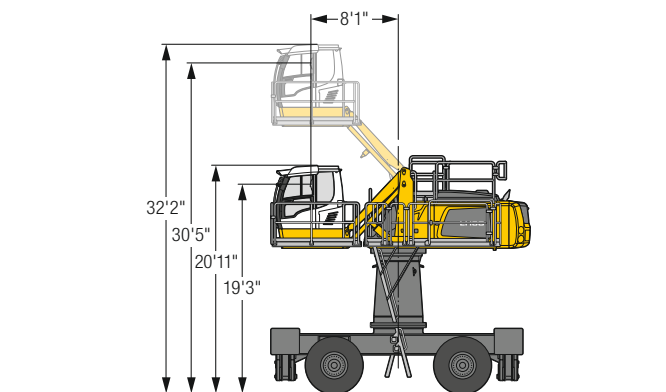
## Port



\* For electric machines, the length of the machine is increased accordingly by the trailing cable / cable reel system. Detailed dimensions are available on request.

# LH 60 M HR – Choice of cab elevation

## Cab elevation LHC (hydraulic elevation)

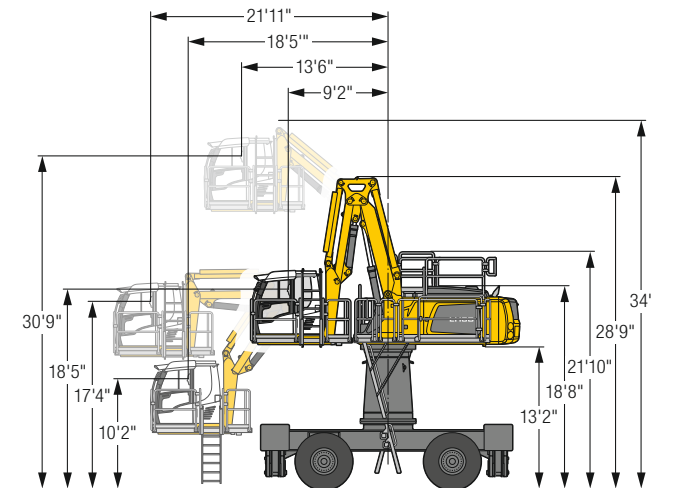


### Increase type

### LHC 340-35

The hydraulically adjustable cab allows the driver, that he can choose his field of view freely and at any time within the stroke.

## Cab elevation LHC-D (hydraulic elevation)



### Increase type

### LHC-D 730

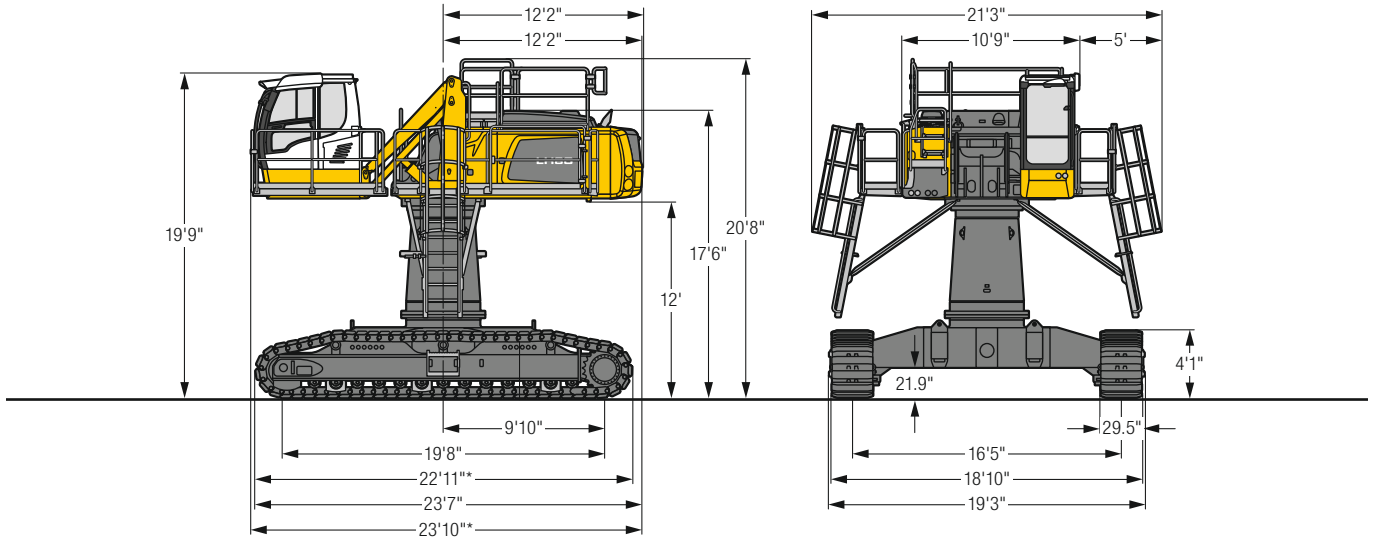
The hydraulically adjustable cab allows the driver, that he can choose his field of view freely and at any time within the stroke.

Tires 23.5-25



# LH 60 C HR – Dimensions

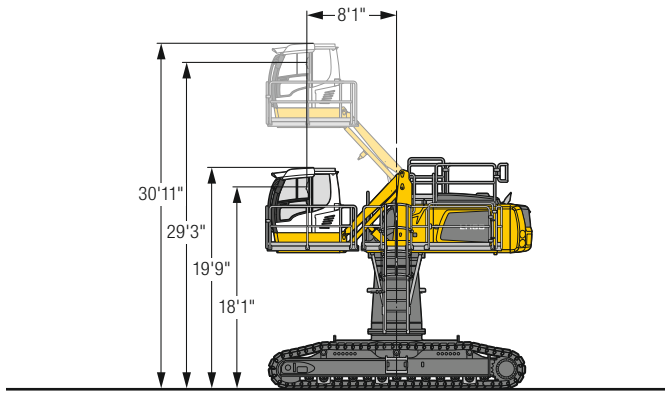
## Port



\* For electric machines, the length of the machine is increased accordingly by the trailing cable / cable reel system. Detailed dimensions are available on request.

# LH 60 C HR – Choice of cab elevation

## Cab elevation LHC (hydraulic elevation)

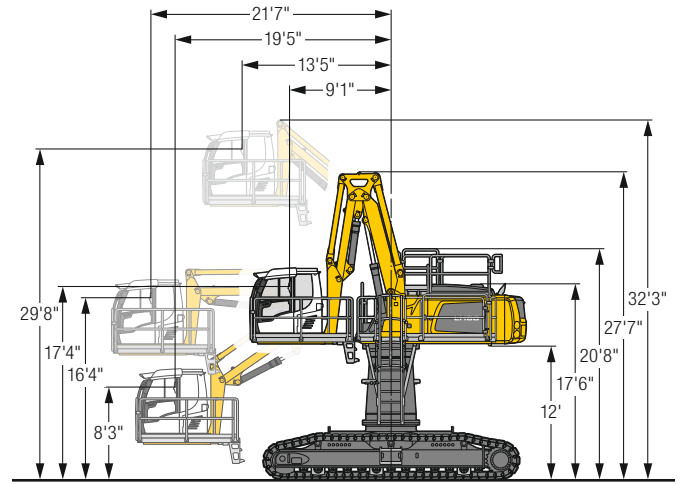


### Increase type

### LHC 340-35

The hydraulically adjustable cab allows the driver, that he can choose his field of view freely and at any time within the stroke.

## Cab elevation LHC-D (hydraulic elevation)

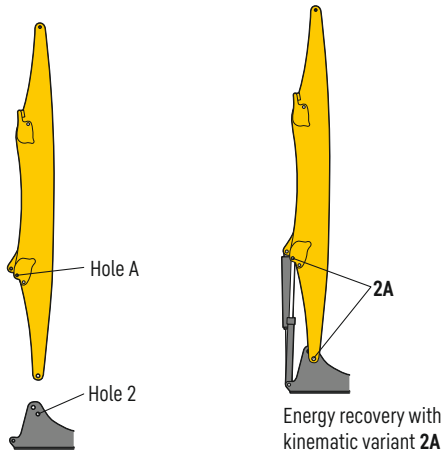


### Increase type

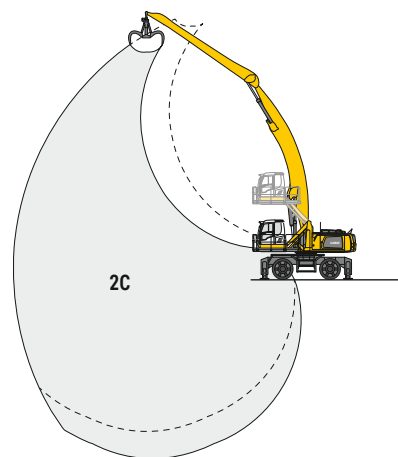
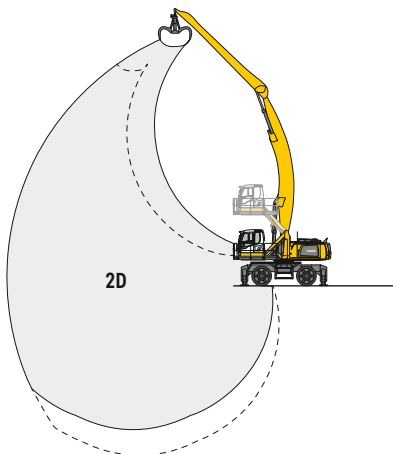
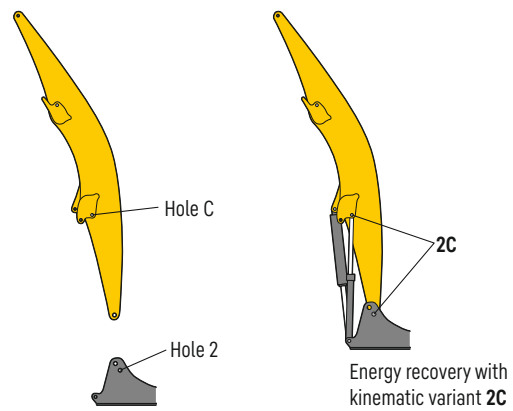
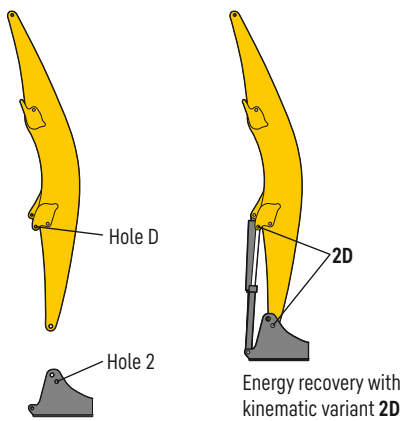
### LHC-D 730

The hydraulically adjustable cab allows the driver, that he can choose his field of view freely and at any time within the stroke.

## Kinematic variant 2A



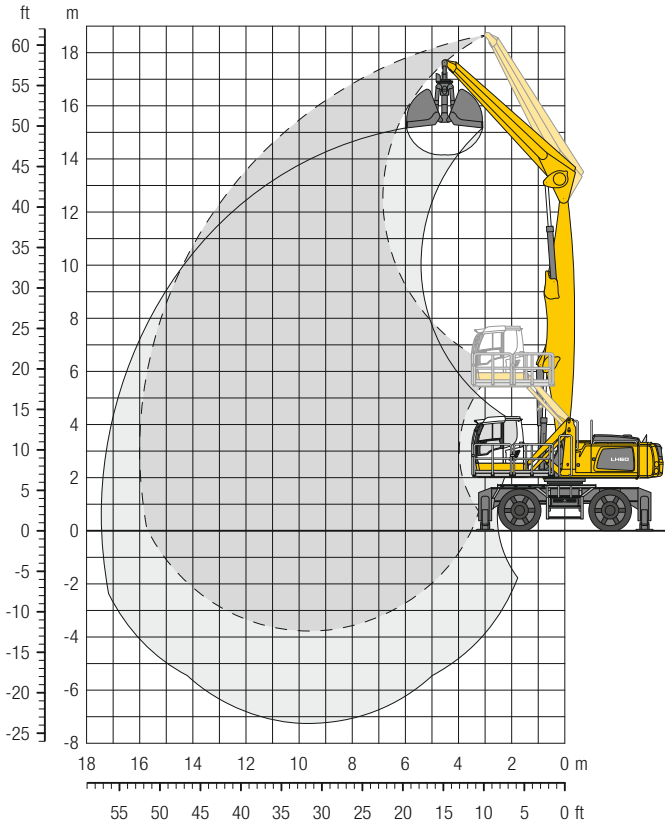
## Kinematic variant 2D / 2C



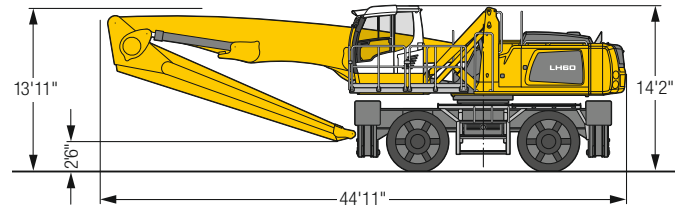
Altered range curve with additional reach depth, e.g. for unloading from ships

# LH 60 M – Equipment GG16

## Port – Kinematic 2A



### Dimensions



### Operating weight

The operating weight includes the basic machine with 4 point outriggers, hydr. cab elevation, 4 solid tires, straight boom 31'2", straight stick 22'4" and grab for loose material GMZ 80 / 758 yd<sup>3</sup>.

Weight	140,900 lb
--------	------------

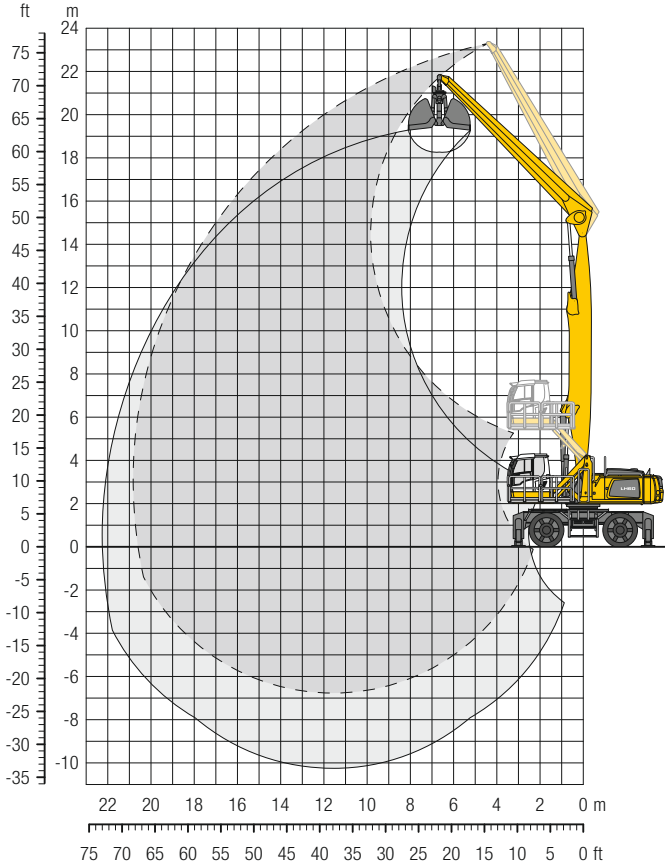
ft	Undercarriage	20 ft	25 ft	30 ft	35 ft	40 ft	45 ft	50 ft	55 ft	60 ft	65 ft	70 ft	75 ft	ft in
60	4 pt. outriggers down													37,8" 37,8" 14' 11"
55	4 pt. outriggers down	36,6" 36,6"	30,3" 30,3"											27,1" 27,1" 26' 7"
50	4 pt. outriggers down		35,2" 35,2"	30,3" 30,3"										23,3" 23,3" 33' 8"
45	4 pt. outriggers down		34,3" 34,3"	30,8" 30,8"	28,3" 28,3"									21,2" 21,2" 38' 11"
40	4 pt. outriggers down		34,1" 34,1"	30,5" 30,5"	27,9" 27,9"	25,8" 25,8"								20,0" 20,0" 43'
35	4 pt. outriggers down		34,5" 34,5"	30,7" 30,7"	27,9" 27,9"	25,7" 25,7"	22,8" 22,8"							19,2" 19,2" 46' 1"
30	4 pt. outriggers down	38,6" 38,6"	35,6" 35,6"	31,4" 31,4"	28,3" 28,3"	25,8" 25,8"	23,7" 23,7"							18,8" 18,8" 48' 6"
25	4 pt. outriggers down	42,3" 42,3"	37,3" 37,3"	32,5" 32,5"	29,0" 29,0"	26,2" 26,2"	23,8" 23,8"	19,8" 19,8"						18,6" 18,6" 50' 4"
20	4 pt. outriggers down	47,9" 47,9"	39,5" 39,5"	33,9" 33,9"	29,8" 29,8"	26,6" 26,6"	24,0" 24,0"	21,3" 21,5"						18,6" 18,6" 51' 6"
15	4 pt. outriggers down	52,0" 52,0"	41,9" 41,9"	35,3" 35,3"	30,6" 30,6"	27,0" 27,0"	24,1" 24,1"	21,1" 21,2"						18,8" 18,8" 52' 4"
10	4 pt. outriggers down	55,4" 55,4"	43,9" 43,9"	36,5" 36,5"	31,2" 31,2"	27,3" 27,3"	24,0" 24,0"	20,8" 20,8"						18,5" 18,5" 52' 6"
5	4 pt. outriggers down	38,2" 38,2"	44,8" 44,8"	37,0" 37,0"	31,4" 31,4"	27,1" 27,1"	23,5" 23,5"	19,8" 19,8"						17,2" 17,2" 52' 4"
0	4 pt. outriggers down	29,8" 29,8"	44,1" 44,1"	36,5" 36,5"	30,9" 30,9"	26,4" 26,4"	22,4" 22,4"	17,9" 17,9"						15,8" 15,8" 51' 6"
-5	4 pt. outriggers down	29,9" 29,9"	41,4" 41,4"	34,6" 34,6"	29,2" 29,2"	24,6" 24,6"	20,2" 20,2"							17,0" 17,0" 48' 1"
-10	4 pt. outriggers down		36,3" 36,3"	30,8" 30,8"	26,0" 26,0"	21,4" 21,4"								19,9" 19,9" 41' 7"

Height Can be slewed through 360° In longitudinal position of undercarriage Max. reach \* Limited by hydr. capacity

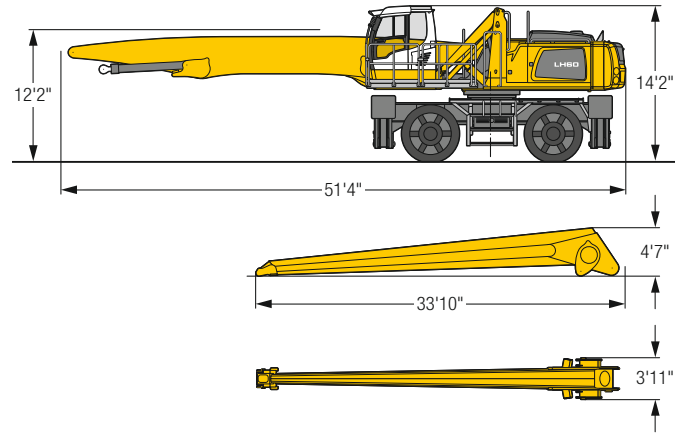
The lift capacities on the stick end without attachment are stated in lb x 1,000 and are valid on a firm, level supporting surface with blocked oscillating axle. These capacities can be slewed through 360° with the undercarriage in the transverse position. Capacities in the longitudinal position of the undercarriage (±15°) are specified over the rigid axle with the stabilizers down. Indicated loads based on the ISO 10567 standard and do not exceed 75% of tipping or 87% of hydraulic capacity. The lift capacity values indicated are attained at the corresponding operating temperature. This operating temperature is ensured by continuous movement of the boom. Weights of fitted attachments (grabs, load hooks, etc.) and load accommodation attachment are to be deducted from the lift capacity values. The lift capacity of the unit is limited by its stability, the lifting capability of the hydraulic elements, or the maximum permissible lifting capacity of the load hook.

# LH 60 M – Equipment GG21

## Port – Kinematic 2A



### Dimensions



### Operating weight

The operating weight includes the basic machine with 4 point outriggers, hydr. cab elevation, 4 solid tires, straight boom 37'9", straight stick 32'2" and grab for loose material GMZ 80 / 5.23 yd<sup>3</sup>.

Weight	142,800 lb
--------	------------

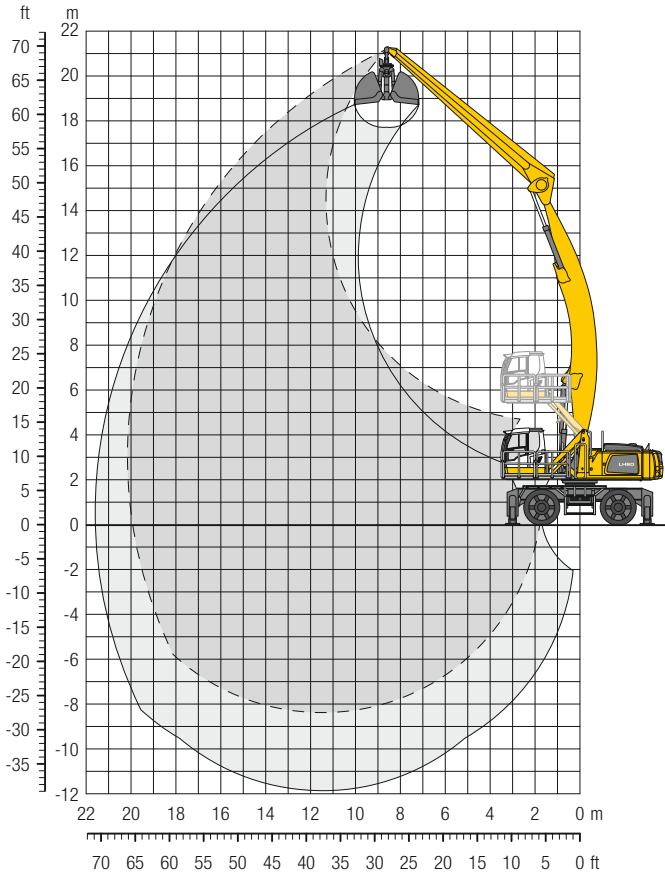
ft	Undercarriage	20 ft	25 ft	30 ft	35 ft	40 ft	45 ft	50 ft	55 ft	60 ft	65 ft	70 ft	75 ft	ft in
75	4 pt. outriggers down													25.4* 25.4* 19'11"
70	4 pt. outriggers down		25.0* 25.0*	21.3* 21.3*										19.1* 19.1* 32' 1"
65	4 pt. outriggers down		24.2* 24.2*	21.3* 21.3*	16.6* 16.6*									16.4* 16.4* 40' 1"
60	4 pt. outriggers down		25.2* 25.2*	23.4* 23.4*	20.8* 20.8*	16.6* 16.6*								14.9* 14.9* 46' 4"
55	4 pt. outriggers down			23.3* 23.3*	21.3* 21.3*	19.7* 19.7*	15.6* 15.6*							13.9* 13.9* 51' 2"
50	4 pt. outriggers down			23.1* 23.1*	21.1* 21.1*	19.5* 19.5*	18.1* 18.1*	13.6* 13.6*						13.2* 13.2* 55' 2"
45	4 pt. outriggers down			23.1* 23.1*	21.0* 21.0*	19.4* 19.4*	18.0* 18.0*	16.8* 16.8*						12.7* 12.7* 58' 6"
40	4 pt. outriggers down			23.2* 23.2*	21.2* 21.2*	19.5* 19.5*	18.0* 18.0*	16.8* 16.8*	14.6* 14.6*					12.4* 12.4* 61' 4"
35	4 pt. outriggers down			26.3* 26.3*	23.6* 23.6*	21.4* 21.4*	19.6* 19.6*	18.1* 18.1*	16.8* 16.8*	15.6* 15.6*				12.2* 12.2* 63' 6"
30	4 pt. outriggers down			27.2* 27.2*	24.2* 24.2*	21.8* 21.8*	19.9* 19.9*	18.3* 18.3*	16.9* 16.9*	15.6* 15.6*	12.7* 12.7*			12.1* 12.1* 65' 4"
25	4 pt. outriggers down		26.8* 26.8*	28.3* 28.3*	24.9* 24.9*	22.3* 22.3*	20.2* 20.2*	18.5* 18.5*	17.0* 17.0*	15.6* 15.6*	13.7 14.2*			12.1* 12.1* 66' 7"
20	4 pt. outriggers down	26.5* 26.5*	32.3* 32.3*	29.5* 29.5*	25.8* 25.8*	22.9* 22.9*	20.6* 20.6*	18.7* 18.7*	17.1* 17.1*	15.6* 15.6*	13.6 14.1*			12.1* 12.1* 67' 7"
15	4 pt. outriggers down	45.5* 45.5*	36.7* 36.7*	30.8* 30.8*	26.6* 26.6*	23.5* 23.5*	21.0* 21.0*	18.9* 18.9*	17.2* 17.2*	15.4 15.6*	13.5 14.0*			12.3* 12.3* 68' 1"
10	4 pt. outriggers down	48.7* 48.7*	38.6* 38.6*	32.0* 32.0*	27.4* 27.4*	24.0* 24.0*	21.3* 21.3*	19.1* 19.1*	17.2* 17.2*	15.1 15.5*	13.3 13.7*			12.0* 12.0* 68' 4"
5	4 pt. outriggers down	28.2* 28.2*	39.9* 39.9*	32.9* 32.9*	28.0* 28.0*	24.3* 24.3*	21.4* 21.4*	19.1* 19.1*	17.0 17.1*	14.9 15.2*	13.1 13.2*			11.3* 11.3* 68' 1"
0	4 pt. outriggers down	17.7* 17.7*	40.3* 40.3*	33.2* 33.2*	28.2* 28.2*	24.4* 24.4*	21.4* 21.4*	18.9* 18.9*	16.6 16.7*	14.6 14.7*	12.3* 12.3*			10.5* 10.5* 67' 7"
-5	4 pt. outriggers down	16.2* 16.2*	33.3* 33.3*	32.8* 32.8*	27.8* 27.8*	24.0* 24.0*	20.9* 20.9*	18.4* 18.4*	16.1* 16.1*	13.8* 13.8*	11.0* 11.0*			9.7* 9.7* 66' 6"
-10	4 pt. outriggers down	16.9* 16.9*	29.6* 29.6*	31.4* 31.4*	26.7* 26.7*	23.1* 23.1*	20.1* 20.1*	17.4* 17.4*	15.0* 15.0*	12.4* 12.4*				10.3* 10.3* 63' 4"
-15	4 pt. outriggers down	18.5* 18.5*	29.3* 29.3*	28.8* 28.8*	24.8* 24.8*	21.4* 21.4*	18.5* 18.5*	15.9* 15.9*	13.3* 13.3*					11.3* 11.3* 58' 5"
-20	4 pt. outriggers down		25.0* 25.0*	21.8* 21.8*	18.8* 18.8*	16.1* 16.1*								13.5* 13.5* 49'11"

Height Can be slewed through 360° In longitudinal position of undercarriage Max. reach \* Limited by hydr. capacity

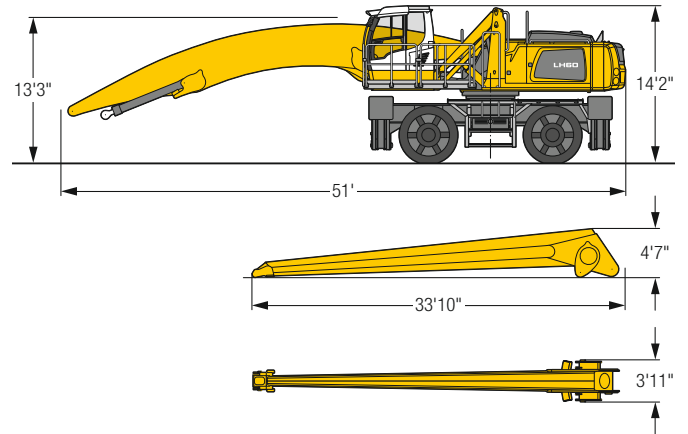
The lift capacities on the stick end without attachment are stated in lb x 1,000 and are valid on a firm, level supporting surface with blocked oscillating axle. These capacities can be slewed through 360° with the undercarriage in the transverse position. Capacities in the longitudinal position of the undercarriage (±15°) are specified over the rigid axle with the stabilizers down. Indicated loads based on the ISO 10567 standard and do not exceed 75% of tipping or 87% of hydraulic capacity. The lift capacity values indicated are attained at the corresponding operating temperature. This operating temperature is ensured by continuous movement of the boom. Weights of fitted attachments (grabs, load hooks, etc.) and load accommodation attachment are to be deducted from the lift capacity values. The lift capacity of the unit is limited by its stability, the lifting capability of the hydraulic elements, or the maximum permissible lifting capacity of the load hook.

# LH 60 M – Equipment AG20

## Port – Kinematic 2D



### Dimensions



### Operating weight

The operating weight includes the basic machine with 4 point outriggers, hydr. cab elevation, 4 solid tires, angled boom 37°, straight stick 32° and grab for loose material GMZ 80 / 5.23yd<sup>3</sup>.

Weight	143,800 lb
--------	------------

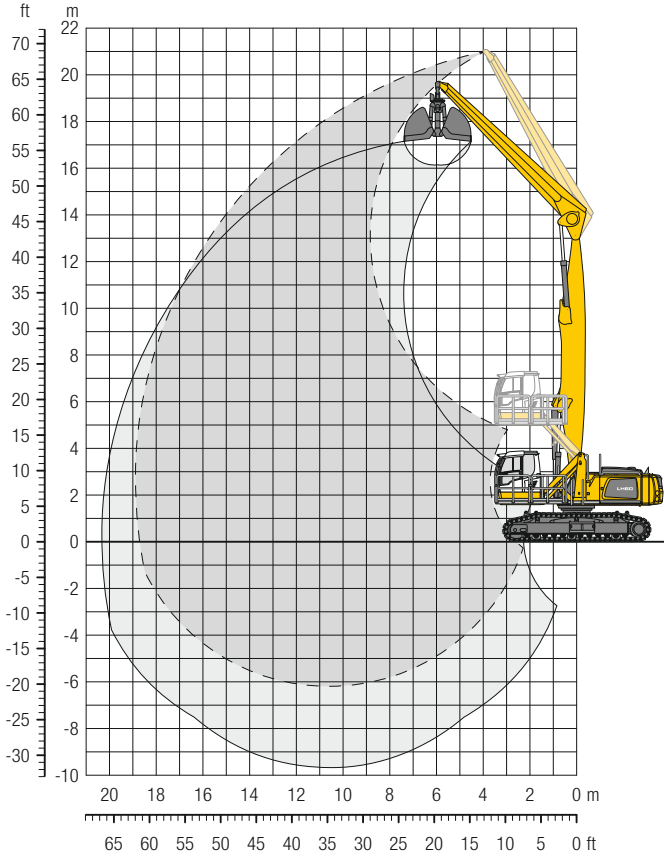
ft	Undercarriage	20ft	25ft	30ft	35ft	40ft	45ft	50ft	55ft	60ft	65ft	70ft	75ft	ft in
70	4 pt. outriggers down													15,4* 15,4* 36' 4"
65	4 pt. outriggers down				16,6* 16,6*									14,1* 14,1* 43'
60	4 pt. outriggers down				20,0* 20,0*	16,8* 16,8*								13,3* 13,3* 48' 4"
55	4 pt. outriggers down					18,4* 18,4*	16,4* 16,4*							12,7* 12,7* 52' 6"
50	4 pt. outriggers down					18,1* 18,1*	17,0* 17,0*	15,4* 15,4*						12,4* 12,4* 56'
45	4 pt. outriggers down					18,1* 18,1*	16,9* 16,9*	15,9* 15,9*	13,6* 13,6*					12,2* 12,2* 58' 11"
40	4 pt. outriggers down					18,2* 18,2*	17,0* 17,0*	15,9* 15,9*	15,1* 15,1*					12,1* 12,1* 61' 2"
35	4 pt. outriggers down				20,2* 20,2*	18,5* 18,5*	17,2* 17,2*	16,1* 16,1*	15,1* 15,1*	13,7* 13,7*				12,1* 12,1* 63'
30	4 pt. outriggers down				20,8* 20,8*	19,0* 19,0*	17,5* 17,5*	16,3* 16,3*	15,2* 15,2*	14,4* 14,4*				12,2* 12,2* 64' 5"
25	4 pt. outriggers down			24,3* 24,3*	21,7* 21,7*	19,6* 19,6*	17,9* 17,9*	16,6* 16,6*	15,4* 15,4*	14,5* 14,5*				12,4* 12,4* 65' 5"
20	4 pt. outriggers down		29,9* 29,9*	25,7* 25,7*	22,6* 22,6*	20,3* 20,3*	18,4* 18,4*	16,9* 16,9*	15,7* 15,7*	14,6* 14,6*	13,0* 13,0*			12,6* 12,6* 66'
15	4 pt. outriggers down	39,8* 39,8*	32,2* 32,2*	27,3* 27,3*	23,7* 23,7*	21,0* 21,0*	19,0* 19,0*	17,3* 17,3*	15,9* 15,9*	14,7* 14,7*	13,5* 13,6*			12,9* 13,0* 66' 2"
10	4 pt. outriggers down	43,7* 43,7*	34,6* 34,6*	28,8* 28,8*	24,8* 24,8*	21,8* 21,8*	19,5* 19,5*	17,7* 17,7*	16,2* 16,2*	14,8* 14,8*	13,3* 13,6*			12,8* 13,2* 66'
5	4 pt. outriggers down	42,0* 42,0*	36,6* 36,6*	30,2* 30,2*	25,7* 25,7*	22,5* 22,5*	20,0* 20,0*	18,0* 18,0*	16,3* 16,3*	14,9* 14,9*	13,1* 13,5*			12,8* 13,0* 65' 5"
0	4 pt. outriggers down	25,2* 25,2*	38,1* 38,1*	31,2* 31,2*	26,5* 26,5*	23,0* 23,0*	20,3* 20,3*	18,2* 18,2*	16,4* 16,4*	14,6* 14,8*	12,9* 13,2*			12,8* 12,8* 64' 6"
-5	4 pt. outriggers down	21,4* 21,4*	38,6* 38,6*	31,8* 31,8*	26,9* 26,9*	23,3* 23,3*	20,5* 20,5*	18,2* 18,2*	16,3* 16,3*	14,4* 14,5*				12,5* 12,5* 63' 1"
-10	4 pt. outriggers down	20,8* 20,8*	34,1* 34,1*	31,7* 31,7*	26,9* 26,9*	23,2* 23,2*	20,4* 20,4*	18,0* 18,0*	15,9* 15,9*	13,9* 13,9*				12,1* 12,1* 61' 4"
-15	4 pt. outriggers down	21,5* 21,5*	32,3* 32,3*	30,8* 30,8*	26,2* 26,2*	22,7* 22,7*	19,8* 19,8*	17,4* 17,4*	15,2* 15,2*	12,8* 12,8*				11,9* 11,9* 58' 5"
-20	4 pt. outriggers down	22,6* 22,6*	32,4* 32,4*	29,0* 29,0*	24,9* 24,9*	21,5* 21,5*	18,7* 18,7*	16,2* 16,2*	13,7* 13,7*					14,1* 14,1* 50' 2"
-25	4 pt. outriggers down			26,2* 26,2*	22,6* 22,6*	19,5* 19,5*	16,8* 16,8*	14,2* 14,2*						

Height Can be slewed through 360° In longitudinal position of undercarriage Max. reach \* Limited by hydr. capacity

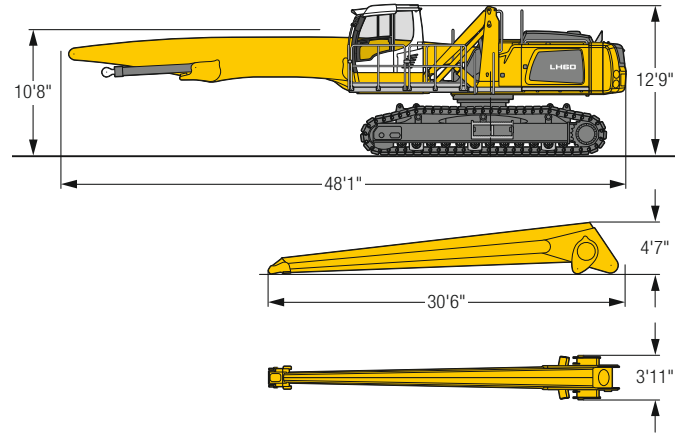
The lift capacities on the stick end without attachment are stated in lb x 1,000 and are valid on a firm, level supporting surface with blocked oscillating axle. These capacities can be slewed through 360° with the undercarriage in the transverse position. Capacities in the longitudinal position of the undercarriage (±15°) are specified over the rigid axle with the stabilizers down. Indicated loads based on the ISO 10567 standard and do not exceed 75% of tipping or 87% of hydraulic capacity. The lift capacity values indicated are attained at the corresponding operating temperature. This operating temperature is ensured by continuous movement of the boom. Weights of fitted attachments (grabs, load hooks, etc.) and load accommodation attachment are to be deducted from the lift capacity values. The lift capacity of the unit is limited by its stability, the lifting capability of the hydraulic elements, or the maximum permissible lifting capacity of the load hook.

# LH 60 C – Equipment GG19

## Port – Kinematic 2A



### Dimensions



### Operating weight and ground pressure

The operating weight includes the basic machine with hydr. cab elevation, straight boom 34'5", straight stick 28'10" and grab for loose material GMZ 80 / 5.23 yd<sup>3</sup>.

Weight	145,500 lb
Pad width	30"
Ground pressure	on request

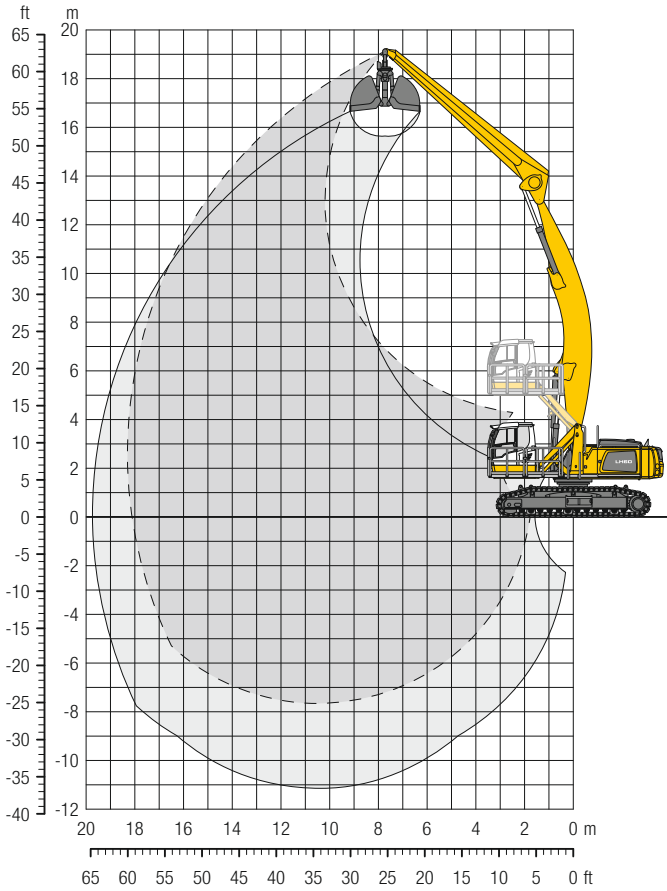
ft	Undercarriage	20 ft		25 ft		30 ft		35 ft		40 ft		45 ft		50 ft		55 ft		60 ft		65 ft		70 ft		75 ft		ft in									
		SW	SW	SW	SW	SW	SW	SW	SW	SW	SW	SW	SW	SW	SW	SW	SW	SW	SW	SW	SW	SW	SW	SW	SW	SW	SW	SW							
65	SW	29.1*	29.1*																								23.9*	23.9*	24' 8"						
60	SW			27.9*	27.9*	24.3*	24.3*																						19.5*	19.5*	34' 1"				
55	SW					26.9*	26.9*	23.8*	23.8*	18.4*	18.4*																			17.3*	17.3*	40' 8"			
50	SW							27.4*	27.4*	24.9*	24.9*	23.1*	23.1*	17.5*	17.5*																16.0*	16.0*	45'10"		
45	SW							27.0*	27.0*	24.6*	24.6*	22.7*	22.7*	21.2*	21.2*																	15.1*	15.1*	49'11"	
40	SW							27.0*	27.0*	24.5*	24.5*	22.6*	22.6*	21.0*	21.0*	18.2	19.6*															14.5*	14.5*	53' 4"	
35	SW							27.3*	27.3*	24.8*	24.8*	22.7*	22.7*	21.0*	21.0*	18.3	19.6*	15.3	16.2*													14.1*	14.1*	55'11"	
30	SW							28.0*	28.0*	25.3*	25.3*	23.0*	23.0*	21.2*	21.2*	18.2	19.6*	15.3	18.2*														13.8	13.9*	58' 1"
25	SW							29.1*	29.1*	26.0*	26.0*	23.5*	23.5*	21.4	21.5*	17.9	19.8*	15.2	18.2*														13.0	13.8*	59' 8"
20	SW							29.5*	29.5*	35.1*	35.1*	30.4*	30.4*	26.9*	26.9*	24.1*	24.1*	20.9	21.9*	17.6	20.0*	15.0	18.3*	12.9	16.1*								12.5	13.8*	60'11"
15	SW							42.7*	42.7*	37.6*	37.6*	31.9*	31.9*	27.8*	27.8*	24.4	24.7*	20.3	22.2*	17.2	20.2*	14.8	18.3*	12.7	16.0								12.2	13.9*	61' 7"
10	SW							49.9*	49.9*	39.9*	39.9*	33.4*	33.4*	28.7	28.8*	23.6	25.3*	19.7	22.6*	16.8	20.3*	14.5	18.2	12.6	15.9								12.0	14.1*	62'
5	SW							52.8*	52.8*	41.7*	41.7*	34.3	34.5*	27.5	29.5*	22.7	25.7*	19.2	22.7*	16.4	20.2*	14.2	17.9	12.5	15.4*								11.9	13.9*	61'11"
0	SW							27.4*	27.4*	42.5	42.6*	32.8	35.1*	26.5	29.8*	22.0	25.8*	18.7	22.6*	16.1	19.9*	14.0	17.4*	12.3	14.3*								12.0	13.0*	61' 5"
-5	SW							22.6*	22.6*	40.9	42.1*	31.7	34.8*	25.7	29.5*	21.4	25.4*	18.2	22.1*	15.8	19.2*	13.8	16.3*	12.3	12.4*								12.0*	12.0*	60' 4"
-10	SW							22.6*	22.6*	39.9	39.9*	30.9	33.4*	25.1	28.3*	21.0	24.3*	17.9	20.9*	15.6	17.8*	13.7	14.5*										12.8*	12.8*	57'
-15	SW							24.3*	24.3*	36.0*	36.0*	30.5	30.6*	24.8	26.1*	20.7	22.3*	17.8	18.9*	15.5	15.6*												14.3*	14.3*	51' 8"
-20	SW									26.2*	26.2*	22.5*	22.5*																				19.1*	19.1*	39'11"

Height Can be slewed through 360° In longitudinal position of undercarriage Max. reach \* Limited by hydr. capacity

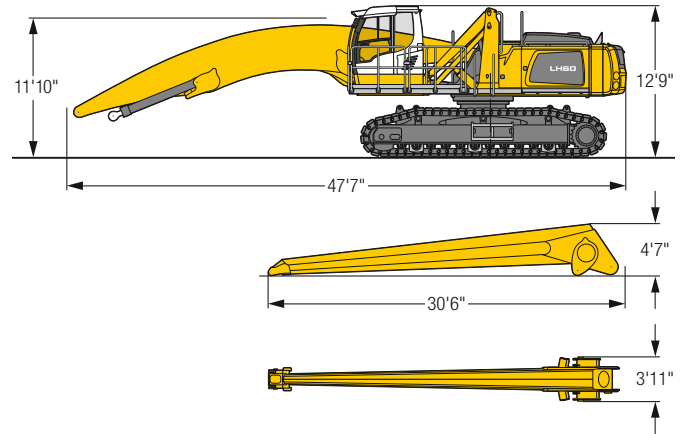
The lift capacities on the stick end without attachment are stated in lb x 1,000 and can be slewed through 360° on a firm, level supporting surface. Capacities are valid for 30" wide triple grouser pads (resp. flat pads). Indicated loads based on the ISO 10567 standard and do not exceed 75% of tipping or 87% of hydraulic capacity. The lift capacity values indicated are attained at the corresponding operating temperature. This operating temperature is ensured by continuous movement of the boom. Weights of fitted attachments (grabs, load hooks, etc.) and load accommodation attachment are to be deducted from the lift capacity values. The lift capacity of the unit is limited by its stability, the lifting capability of the hydraulic elements, or the maximum permissible lifting capacity of the load hook.

# LH 60 C – Equipment AG18

## Port – Kinematic 2D



### Dimensions



### Operating weight and ground pressure

The operating weight includes the basic machine with hydr. cab elevation, angled boom 34°5', straight stick 28°10' and grab for loose material GMZ 80 / 5.23 yd<sup>3</sup>.

Weight	146,500 lb
Pad width	30"
Ground pressure	on request

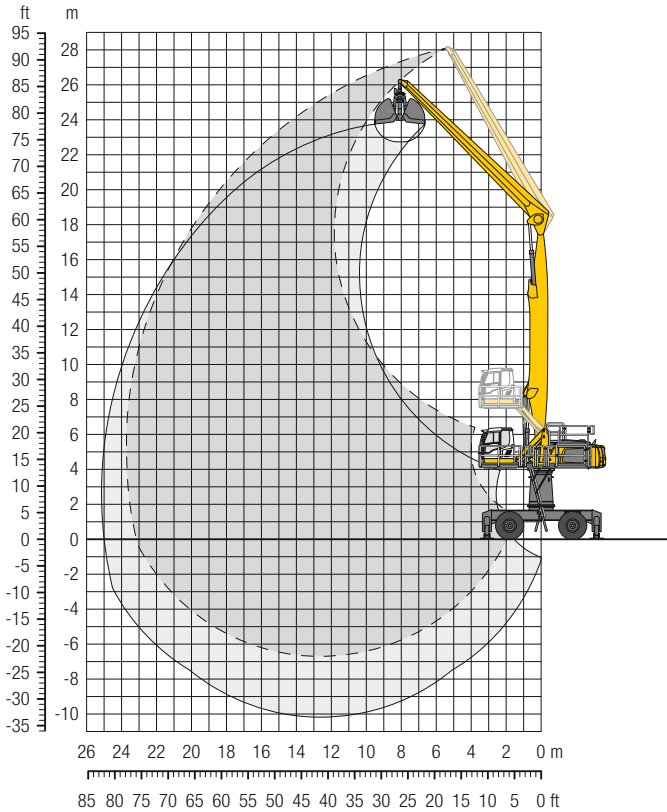
ft	Undercarriage	20ft		25ft		30ft		35ft		40ft		45ft		50ft		55ft		60ft		65ft		70ft		75ft		ft in				
		SW	SW	SW	SW	SW	SW	SW	SW	SW	SW	SW	SW	SW	SW	SW	SW	SW	SW	SW	SW	SW	SW	SW	SW	SW	SW			
60	SW					18,7*	18,7*																				18,3*	18,3*	30' 5"	
55	SW							19,2*	19,2*																			16,3*	16,3*	37' 8"
50	SW							21,4*	21,4*	18,8*	18,8*																	15,2*	15,2*	43' 2"
45	SW							21,1*	21,1*	19,8*	19,8*	17,8*	17,8*															14,5*	14,5*	47' 6"
40	SW							21,0*	21,0*	19,7*	19,7*	18,6*	18,6*	15,6*	15,6*													14,1*	14,1*	51'
35	SW							21,3*	21,3*	19,8*	19,8*	18,6*	18,6*	17,6*	17,6*													13,9*	13,9*	53'10"
30	SW							21,8*	21,8*	20,2*	20,2*	18,8*	18,8*	17,7*	17,7*	15,4	15,5*											13,8*	13,8*	56'
25	SW					25,0*	25,0*	22,6*	22,6*	20,7*	20,7*	19,2*	19,2*	18,0*	18,0*	15,3	16,9*											13,8*	13,8*	57' 8"
20	SW				30,3*	30,3*	26,5*	26,5*	23,6*	23,6*	21,4*	21,4*	19,7*	19,7*	17,8	18,3*	15,1	17,1*										13,3	14,0*	58'11"
15	SW	39,9*	39,9*	32,9*	32,9*	28,2*	28,2*	24,8*	24,8*	22,3*	22,3*	20,2*	20,2*	17,4	18,6*	14,8	17,3*										12,8	14,3*	59' 8"	
10	SW	44,5*	44,5*	35,7*	35,7*	30,0*	30,0*	26,0*	26,0*	23,1*	23,1*	19,9	20,8*	16,9	19,0*	14,5	17,4*	12,5	14,7*								12,5	14,7*	60'	
5	SW	48,4*	48,4*	38,1*	38,1*	31,6*	31,6*	27,1*	27,1*	22,9	23,9*	19,3	21,3*	16,4	19,3*	14,2	17,5*			12,5	14,7*						12,3	15,2*	59'11"	
0	SW	37,1*	37,1*	40,0*	40,0*	32,9*	32,9*	26,6	28,0*	22,1	24,5*	18,7	21,7*	16,0	19,5*	13,9	17,5*										12,3	15,7*	59' 6"	
-5	SW	28,8*	28,8*	40,8	40,9*	31,7	33,7*	25,6	28,6*	21,4	24,8*	18,1	21,8*	15,6	19,4*	13,6	17,2*										12,5	15,4*	58' 6"	
-10	SW	27,0*	27,0*	39,6	40,7*	30,7	33,7*	24,9	28,5*	20,8	24,7*	17,7	21,6*	15,4	18,9*	13,5	16,4*										12,8	15,1*	57' 1"	
-15	SW	27,4*	27,4*	38,9	39,2*	30,1	32,7*	24,4	27,8*	20,4	24,0*	17,5	20,8*	15,2	17,9*	13,4	14,8*										13,4	14,6*	55' 4"	
-20	SW	28,7*	28,7*	36,2*	36,2*	29,8	30,6*	24,2	26,1*	20,3	22,4*	17,4	19,1*	15,2	15,9*												14,8	15,1*	51' 1"	
-25	SW							23,1*	23,1*																		20,7*	20,7*	38' 5"	

Height Can be slewed through 360° In longitudinal position of undercarriage Max. reach \* Limited by hydr. capacity

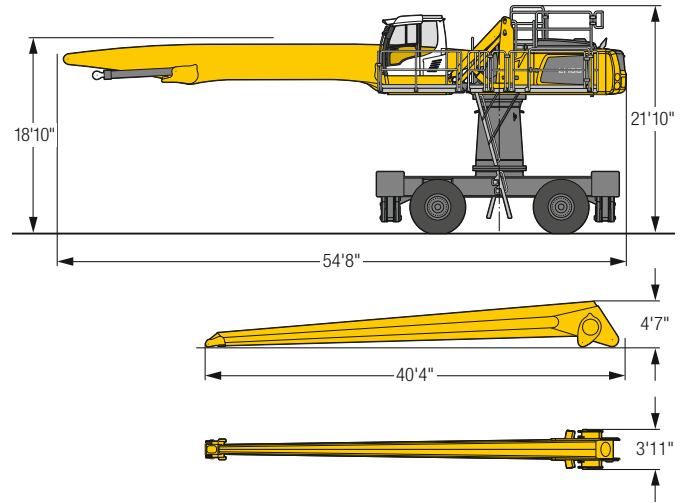
The lift capacities on the stick end without attachment are stated in lb x 1,000 and can be slewed through 360° on a firm, level supporting surface. Capacities are valid for 30" wide triple grouser pads (resp. flat pads). Indicated loads based on the ISO 10567 standard and do not exceed 75% of tipping or 87% of hydraulic capacity. The lift capacity values indicated are attained at the corresponding operating temperature. This operating temperature is ensured by continuous movement of the boom. Weights of fitted attachments (grabs, load hooks, etc.) and load accommodation attachment are to be deducted from the lift capacity values. The lift capacity of the unit is limited by its stability, the lifting capability of the hydraulic elements, or the maximum permissible lifting capacity of the load hook.

# LH 60 M HR – Equipment GG24

## Port – Kinematic 2A



### Dimensions



### Operating weight

The operating weight includes the basic machine with 4 point outriggers, turret 6'7", hydr. cab elevation, 4 solid tires, straight boom 41', straight stick 38'9" and grab for loose material GMZ 80 / 4.58 yd<sup>3</sup>.

Weight 166,800 lb

ft	Undercarriage	20ft	25ft	30ft	35ft	40ft	45ft	50ft	55ft	60ft	65ft	70ft	75ft	ft in
90	4 pt. outriggers down		19,9* 19,9*											19,4* 19,4* 25' 8"
85	4 pt. outriggers down			19,9* 19,9*	17,0* 17,0*									15,3* 15,3* 37' 1"
80	4 pt. outriggers down				19,4* 19,4*	17,1* 17,1*	13,5* 13,5*							13,3* 13,3* 45' 1"
75	4 pt. outriggers down				20,3* 20,3*	18,8* 18,8*	16,7* 16,7*	13,5* 13,5*						12,1* 12,1* 51' 6"
70	4 pt. outriggers down					19,7* 19,7*	18,1* 18,1*	16,2* 16,2*	13,0* 13,0*					11,3* 11,3* 56' 8"
65	4 pt. outriggers down					19,4* 19,4*	17,8* 17,8*	16,5* 16,5*	15,4* 15,4*	11,8* 11,8*				10,7* 10,7* 61'
60	4 pt. outriggers down					19,3* 19,3*	17,7* 17,7*	16,4* 16,4*	15,2* 15,2*	14,2* 14,2*				10,3* 10,3* 64' 7"
55	4 pt. outriggers down					19,3* 19,3*	17,7* 17,7*	16,3* 16,3*	15,2* 15,2*	14,2* 14,2*	12,9* 12,9*			10,0* 10,0* 67' 8"
50	4 pt. outriggers down					19,4* 19,4*	17,7* 17,7*	16,4* 16,4*	15,2* 15,2*	14,1* 14,1*	13,2* 13,2*	10,2* 10,2*		9,8* 9,8* 70' 4"
45	4 pt. outriggers down					19,6* 19,6*	17,9* 17,9*	16,5* 16,5*	15,2* 15,2*	14,2* 14,2*	13,2* 13,2*	12,3* 12,3*		9,6* 9,6* 72' 6"
40	4 pt. outriggers down				21,4* 21,4*	19,9* 19,9*	18,2* 18,2*	16,6* 16,6*	15,4* 15,4*	14,2* 14,2*	13,2* 13,2*	12,2* 12,2*		9,5* 9,5* 74' 2"
35	4 pt. outriggers down				22,6* 22,6*	20,4* 20,4*	18,5* 18,5*	16,9* 16,9*	15,5* 15,5*	14,3* 14,3*	13,2* 13,2*	12,2* 12,2*		9,5* 9,5* 75' 7"
30	4 pt. outriggers down			22,4* 22,4*	23,5* 23,5*	20,9* 20,9*	18,8* 18,8*	17,1* 17,1*	15,7* 15,7*	14,4* 14,4*	13,3* 13,3*	12,2* 12,2*	11,0* 11,0*	9,5* 9,5* 76' 8"
25	4 pt. outriggers down		22,7* 22,7*	26,7* 26,7*	24,3* 24,3*	21,4* 21,4*	19,2* 19,2*	17,4* 17,4*	15,8* 15,8*	14,5* 14,5*	13,3* 13,3*	12,2* 12,2*	10,9* 10,9*	9,6* 9,6* 77' 5"
20	4 pt. outriggers down	28,9* 28,9*	34,0* 34,0*	29,1* 29,1*	25,1* 25,1*	22,0* 22,0*	19,6* 19,6*	17,6* 17,6*	16,0* 16,0*	14,6* 14,6*	13,3* 13,3*	12,1* 12,1*	10,7* 10,7*	9,7* 9,7* 77' 8"
15	4 pt. outriggers down	46,1* 46,1*	36,5* 36,5*	30,2* 30,2*	25,8* 25,8*	22,5* 22,5*	19,9* 19,9*	17,8* 17,8*	16,1* 16,1*	14,6* 14,6*	13,2* 13,2*	11,9* 11,9*	10,4* 10,4*	9,3* 9,3* 77' 10"
10	4 pt. outriggers down	27,3* 27,3*	37,7* 37,7*	31,0* 31,0*	26,3* 26,3*	22,8* 22,8*	20,1* 20,1*	17,9* 17,9*	16,1* 16,1*	14,5* 14,5*	13,0* 13,0*	11,6* 11,6*	9,9* 9,9*	8,7* 8,7* 77' 6"
5	4 pt. outriggers down	15,4* 15,4*	38,2* 38,2*	31,4* 31,4*	26,5* 26,5*	22,9* 22,9*	20,1* 20,1*	17,9* 17,9*	15,9* 15,9*	14,3* 14,3*	12,7* 12,7*	11,2* 11,2*	9,2* 9,2*	8,1* 8,1* 76' 11"
0	4 pt. outriggers down	13,4* 13,4*	26,6* 26,6*	31,1* 31,1*	26,4* 26,4*	22,8* 22,8*	19,9* 19,9*	17,6* 17,6*	15,6* 15,6*	13,9* 13,9*	12,2* 12,2*	10,4* 10,4*	8,1* 8,1*	7,4* 7,4* 75' 11"
-5	4 pt. outriggers down	13,5* 13,5*	23,1* 23,1*	30,2* 30,2*	25,7* 25,7*	22,2* 22,2*	19,4* 19,4*	17,0* 17,0*	15,0* 15,0*	13,2* 13,2*	11,4* 11,4*	9,3* 9,3*		7,5* 7,5* 73' 4"
-10	4 pt. outriggers down	14,5* 14,5*	22,4* 22,4*	28,4* 28,4*	24,3* 24,3*	21,1* 21,1*	18,4* 18,4*	16,1* 16,1*	14,1* 14,1*	12,1* 12,1*	10,1* 10,1*			8,1* 8,1* 69' 2"
-15	4 pt. outriggers down	15,9* 15,9*	22,9* 22,9*	25,6* 25,6*	22,2* 22,2*	19,3* 19,3*	16,8* 16,8*	14,6* 14,6*	12,6* 12,6*	10,5* 10,5*				9,0* 9,0* 63' 5"
-20	4 pt. outriggers down			21,7* 21,7*	19,1* 19,1*	16,8* 16,8*	14,6* 14,6*	12,5* 12,5*						11,2* 11,2* 53' 4"

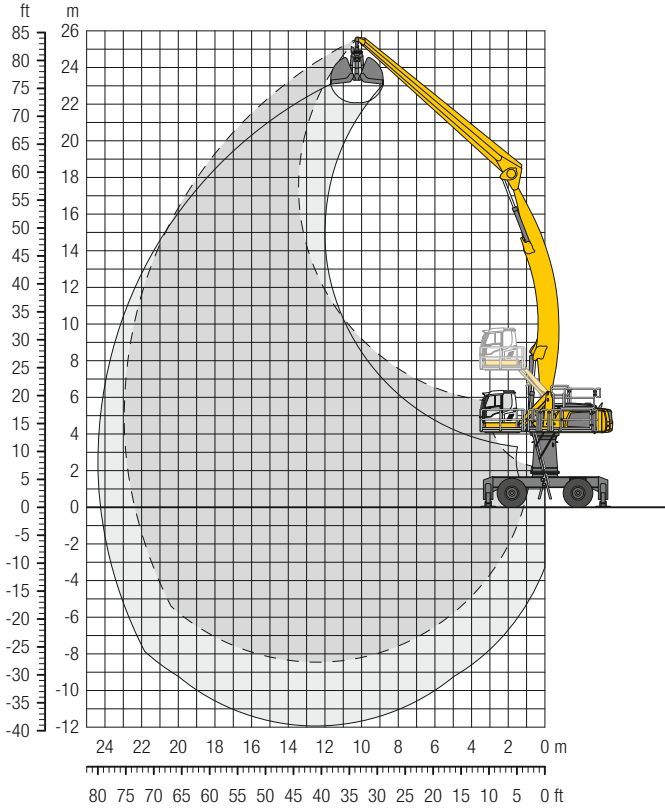
Height Can be slewed through 360° In longitudinal position of undercarriage Max. reach \* Limited by hydr. capacity

The lift capacities on the stick end without attachment are stated in lb x 1,000 and are valid on a firm, level supporting surface with blocked oscillating axle. These capacities can be slewed through 360° with the undercarriage in the transverse position. Capacities in the longitudinal position of the undercarriage (±15°) are specified over the rigid axle with the stabilizers down. Indicated loads based on the ISO 10567 standard and do not exceed 75% of tipping or 87% of hydraulic capacity. The lift capacity values indicated are attained at the corresponding operating temperature. This operating temperature is ensured by continuous movement of the boom. Weights of fitted attachments (grabs, load hooks, etc.) and load accommodation attachment are to be deducted from the lift capacity values. The lift capacity of the unit is limited by its stability, the lifting capability of the hydraulic elements, or the maximum permissible lifting capacity of the load hook.

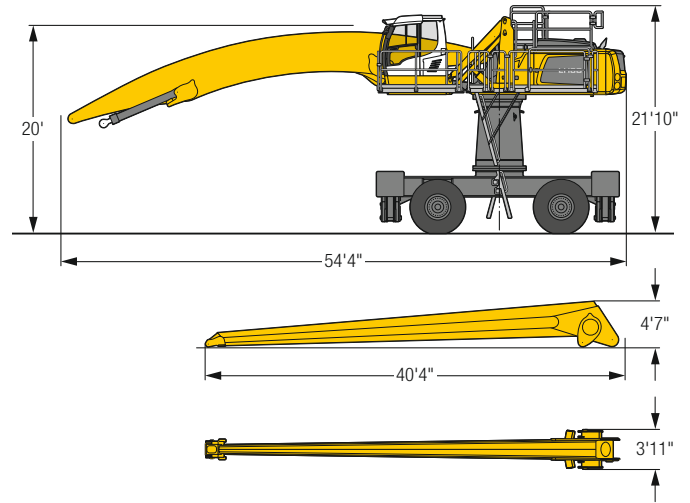


# LH 60 M HR – Equipment AG23

## Port – Kinematic 2D



### Dimensions



### Operating weight

The operating weight includes the basic machine with 4 point outriggers, turret 6'7", hydr. cab elevation, 4 solid tires, angled boom 41', straight stick 38'9" and grab for loose material GMZ 80 / 4.58 yd<sup>3</sup>.

Weight 168,100 lb

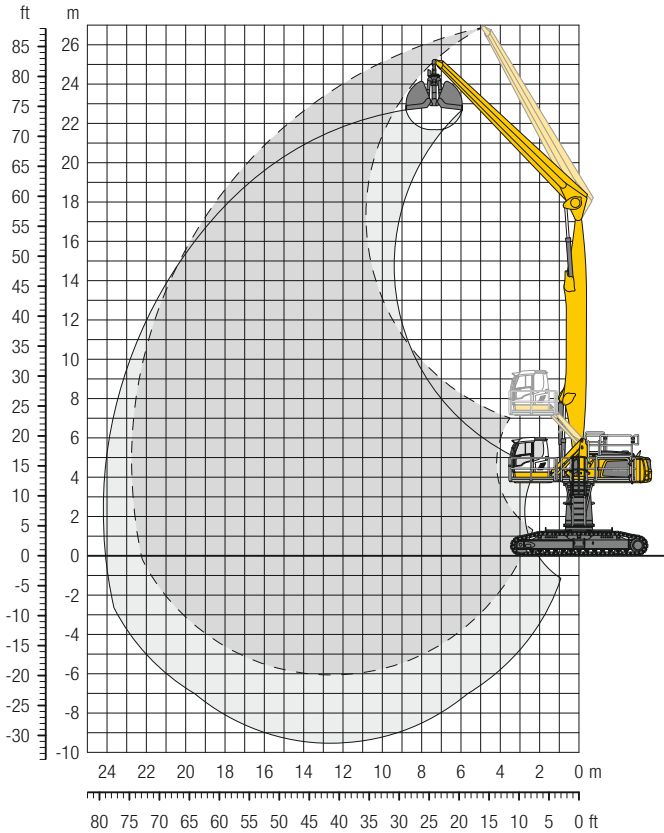
ft	Undercarriage	20ft	25ft	30ft	35ft	40ft	45ft	50ft	55ft	60ft	65ft	70ft	75ft	ft in
85	4 pt. outriggers down													12,5" 12,5" 40' 8"
80	4 pt. outriggers down					13,0" 13,0"								11,5" 11,5" 47' 7"
75	4 pt. outriggers down					15,7" 15,7"								10,7" 10,7" 53' 1"
70	4 pt. outriggers down						15,4" 15,4"	12,9" 12,9"						10,7" 10,7" 53' 1"
65	4 pt. outriggers down						15,2" 15,2"	14,2" 14,2"	12,3" 12,3"					10,3" 10,3" 57' 8"
60	4 pt. outriggers down						15,0" 15,0"	14,0" 14,0"	13,2" 13,2"	11,3" 11,3"				9,9" 9,9" 61' 7"
55	4 pt. outriggers down						15,0" 15,0"	14,0" 14,0"	13,1" 13,1"	12,4" 12,4"				9,7" 9,7" 64' 10"
50	4 pt. outriggers down						15,1" 15,1"	14,0" 14,0"	13,1" 13,1"	12,4" 12,4"	11,7" 11,7"			9,6" 9,6" 67' 6"
45	4 pt. outriggers down						15,3" 15,3"	14,2" 14,2"	13,2" 13,2"	12,4" 12,4"	11,7" 11,7"			9,5" 9,5" 69' 10"
40	4 pt. outriggers down					16,9" 16,9"	15,5" 15,5"	14,4" 14,4"	13,4" 13,4"	12,5" 12,5"	11,8" 11,8"	11,1" 11,1"		9,5" 9,5" 71' 7"
35	4 pt. outriggers down					17,4" 17,4"	15,9" 15,9"	14,6" 14,6"	13,6" 13,6"	12,6" 12,6"	11,9" 11,9"	11,2" 11,2"		9,5" 9,5" 73'
30	4 pt. outriggers down				20,0" 20,0"	18,0" 18,0"	16,3" 16,3"	14,9" 14,9"	13,8" 13,8"	12,8" 12,8"	12,0" 12,0"	11,2" 11,2"		9,7" 9,7" 74' 1"
25	4 pt. outriggers down			23,9" 23,9"	20,9" 20,9"	18,6" 18,6"	16,8" 16,8"	15,3" 15,3"	14,0" 14,0"	13,0" 13,0"	12,1" 12,1"	11,3" 11,3"		9,8" 9,8" 74' 10"
20	4 pt. outriggers down	37,2" 37,2"	30,1" 30,1"	25,3" 25,3"	21,9" 21,9"	19,3" 19,3"	17,3" 17,3"	15,6" 15,6"	14,3" 14,3"	13,2" 13,2"	12,2" 12,2"	11,3" 11,3"	10,3" 10,3"	10,0" 10,0" 75' 2"
15	4 pt. outriggers down	40,5" 40,5"	32,1" 32,1"	26,6" 26,6"	22,8" 22,8"	19,9" 19,9"	17,7" 17,7"	16,0" 16,0"	14,6" 14,6"	13,3" 13,3"	12,3" 12,3"	11,3" 11,3"	10,4" 10,4"	10,3" 10,3" 75' 4"
10	4 pt. outriggers down	42,6" 42,6"	33,8" 33,8"	27,8" 27,8"	23,6" 23,6"	20,5" 20,5"	18,2" 18,2"	16,3" 16,3"	14,8" 14,8"	13,5" 13,5"	12,4" 12,4"	11,3" 11,3"		10,2" 10,2" 75'
5	4 pt. outriggers down	22,8" 22,8"	35,1" 35,1"	28,7" 28,7"	24,3" 24,3"	21,0" 21,0"	18,5" 18,5"	16,6" 16,6"	14,9" 14,9"	13,6" 13,6"	12,3" 12,3"	11,2" 11,2"		10,1" 10,1" 74' 5"
0	4 pt. outriggers down	18,5" 18,5"	33,3" 33,3"	29,3" 29,3"	24,7" 24,7"	21,4" 21,4"	18,8" 18,8"	16,7" 16,7"	15,0" 15,0"	13,5" 13,5"	12,2" 12,2"	10,9" 10,9"		10,0" 10,0" 73' 5"
-5	4 pt. outriggers down	17,4" 17,4"	27,6" 27,6"	29,3" 29,3"	24,8" 24,8"	21,4" 21,4"	18,8" 18,8"	16,7" 16,7"	14,9" 14,9"	13,3" 13,3"	11,9" 11,9"	10,5" 10,5"		9,8" 9,8" 72'
-10	4 pt. outriggers down	17,4" 17,4"	25,6" 25,6"	28,9" 28,9"	24,5" 24,5"	21,2" 21,2"	18,5" 18,5"	16,4" 16,4"	14,6" 14,6"	12,9" 12,9"	11,4" 11,4"	9,6" 9,6"		9,5" 9,5" 70' 4"
-15	4 pt. outriggers down	18,0" 18,0"	25,1" 25,1"	27,8" 27,8"	23,7" 23,7"	20,5" 20,5"	18,0" 18,0"	15,8" 15,8"	13,9" 13,9"	12,2" 12,2"	10,4" 10,4"			9,1" 9,1" 68' 2"
-20	4 pt. outriggers down	18,9" 18,9"	25,5" 25,5"	25,9" 25,9"	22,3" 22,3"	19,3" 19,3"	16,9" 16,9"	14,8" 14,8"	12,9" 12,9"	11,0" 11,0"				9,3" 9,3" 64'
-25	4 pt. outriggers down			23,0" 23,0"	20,0" 20,0"	17,5" 17,5"	15,2" 15,2"	13,1" 13,1"						11,2" 11,2" 54' 11"

Height Can be slewed through 360° In longitudinal position of undercarriage Max. reach \* Limited by hydr. capacity

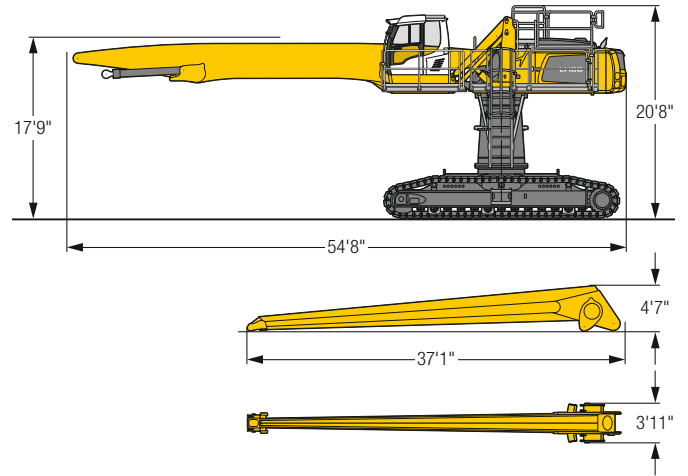
The lift capacities on the stick end without attachment are stated in lb x 1,000 and are valid on a firm, level supporting surface with blocked oscillating axle. These capacities can be slewed through 360° with the undercarriage in the transverse position. Capacities in the longitudinal position of the undercarriage (±15°) are specified over the rigid axle with the stabilizers down. Indicated loads based on the ISO 10567 standard and do not exceed 75% of tipping or 87% of hydraulic capacity. The lift capacity values indicated are attained at the corresponding operating temperature. This operating temperature is ensured by continuous movement of the boom. Weights of fitted attachments (grabs, load hooks, etc.) and load accommodation attachment are to be deducted from the lift capacity values. The lift capacity of the unit is limited by its stability, the lifting capability of the hydraulic elements, or the maximum permissible lifting capacity of the load hook.

# LH 60 C HR – Equipment GG23

## Port – Kinematic 2A



### Dimensions



### Operating weight and ground pressure

The operating weight includes the basic machine with turret 67°, hydr. cab elevation, straight boom 41', straight stick 35'5" and grab for loose material GMZ 80 / 4.58 yd<sup>3</sup>.

Weight	168,500 lb
Pad width	30"
Ground pressure	on request

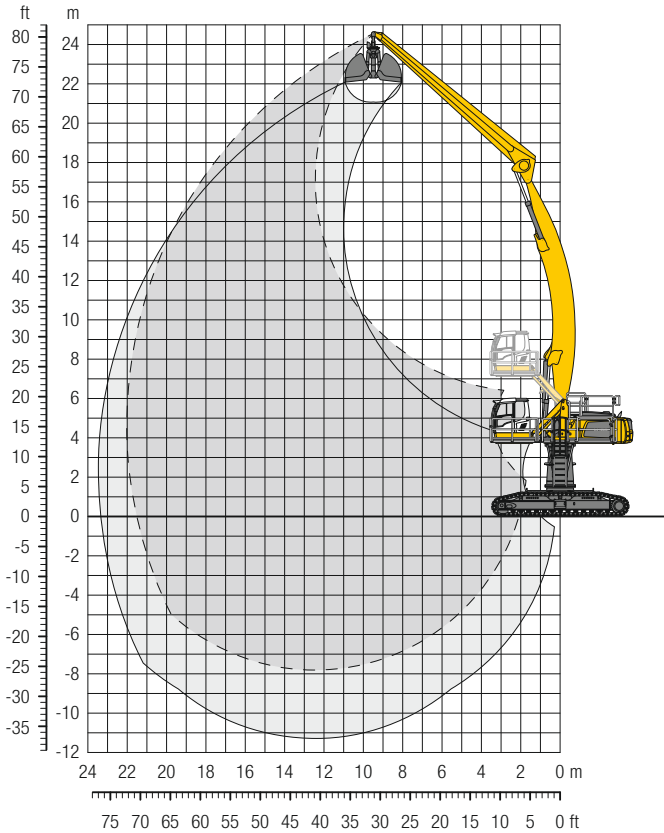
ft	Undercarriage	20 ft		25 ft		30 ft		35 ft		40 ft		45 ft		50 ft		55 ft		60 ft		65 ft		70 ft		75 ft		ft in					
		SW	SW	SW	SW	SW	SW	SW	SW	SW	SW	SW	SW	SW	SW	SW	SW	SW	SW	SW	SW	SW	SW	SW	SW	SW	SW				
85	SW			21.6*	21.6*																					20.2*	20.2*	26' 8"			
80	SW					21.5*	21.5*	18.3*	18.3*																			16.3*	16.3*	37' 2"	
75	SW							20.9*	20.9*	18.4*	18.4*																	14.4*	14.4*	44' 11"	
70	SW							22.0*	22.0*	20.4*	20.4*	18.0*	18.0*	14.2*	14.2*														13.2*	13.2*	50' 11"
65	SW							22.4*	22.4*	20.2*	20.2*	18.5*	18.5*	17.2*	17.2*	13.3*	13.3*												12.4*	12.4*	55' 10"
60	SW									20.1*	20.1*	18.4*	18.4*	17.0*	17.0*	15.8*	15.8*												11.8*	11.8*	59' 11"
55	SW									20.0*	20.0*	18.3*	18.3*	16.9*	16.9*	15.7*	15.7*	14.6*	14.6*										11.4*	11.4*	63' 4"
50	SW							22.2*	22.2*	20.1*	20.1*	18.3*	18.3*	16.9*	16.9*	15.7*	15.7*	14.6*	14.6*	12.7*	12.7*								11.1*	11.1*	66' 2"
45	SW							22.5*	22.5*	20.3*	20.3*	18.5*	18.5*	17.0*	17.0*	15.7*	15.7*	14.6*	14.6*	13.5*	13.5*								10.9*	10.9*	68' 6"
40	SW							22.9*	22.9*	20.6*	20.6*	18.7*	18.7*	17.1*	17.1*	15.8*	15.8*	14.6*	14.6*	13.5*	13.5*	11.6*	11.6*					10.7*	10.7*	70' 6"	
35	SW					24.1*	24.1*	23.4*	23.4*	21.0*	21.0*	19.0*	19.0*	17.3*	17.3*	15.9*	15.9*	14.7*	14.7*	13.5*	13.5*	12.4*	12.4*					10.7*	10.7*	72'	
30	SW					23.3*	23.3*	24.1*	24.1*	21.4*	21.4*	19.3*	19.3*	17.5*	17.5*	16.0*	16.0*	14.7*	14.7*	13.5*	13.5*	12.3*	12.3*					10.7*	10.7*	73' 2"	
25	SW	23.2*	23.2*	29.0*	29.0*	28.7*	28.7*	24.9*	24.9*	22.0*	22.0*	19.6*	19.6*	17.8*	17.8*	16.2*	16.2*	14.8*	14.8*	13.5*	13.5*	12.2*	12.2*					10.8*	10.8*	74'	
20	SW	44.7*	44.7*	35.8*	35.8*	29.9*	29.9*	25.6*	25.6*	22.5*	22.5*	20.0*	20.0*	18.0*	18.0*	16.3*	16.3*	14.8*	14.8*	13.5*	13.5*	12.1*	12.1*					10.5*	10.5*	74' 6"	
15	SW	47.3*	47.3*	37.3*	37.3*	30.9*	30.9*	26.3*	26.3*	22.9*	22.9*	20.2*	20.2*	18.1*	18.1*	16.3*	16.3*	14.8*	14.8*	13.3*	13.3*	11.8*	11.8*					10.0*	10.0*	74' 8"	
10	SW	18.1*	18.1*	38.3*	38.3*	31.5*	31.5*	26.7*	26.7*	23.2*	23.2*	20.4*	20.4*	18.1*	18.1*	16.3*	16.3*	14.6*	14.6*	13.1*	13.1*	11.4*	11.4*					9.4*	9.4*	74' 5"	
5	SW	12.7*	12.7*	30.9*	30.9*	31.7*	31.7*	26.8*	26.8*	23.2*	23.2*	20.3*	20.3*	18.0*	18.0*	16.1*	16.1*	14.3*	14.3*	12.6*	12.6*	10.8*	10.8*					8.7*	8.7*	73' 11"	
0	SW	12.0*	12.0*	23.5*	23.5*	31.2*	31.2*	26.5*	26.5*	22.9*	22.9*	20.0*	20.0*	17.7*	17.7*	15.6*	15.6*	13.8*	13.8*	12.0*	12.0*	9.8*	9.8*					7.9*	7.9*	73'	
- 5	SW	12.9*	12.9*	21.6*	21.6*	29.9*	29.9*	25.6*	25.6*	22.1*	22.1*	19.3*	19.3*	17.0*	17.0*	14.9*	14.9*	12.9*	12.9*	10.9*	10.9*	8.4*	8.4*					8.2*	8.2*	70' 2"	
-10	SW	14.3*	14.3*	21.8*	21.8*	27.7*	27.7*	23.9*	23.9*	20.8*	20.8*	18.1*	18.1*	15.8*	15.8*	13.7*	13.7*	11.7*	11.7*	9.3*	9.3*							8.9*	8.9*	65' 11"	
-15	SW			22.9*	22.9*	24.5*	24.5*	21.4*	21.4*	18.7*	18.7*	16.3*	16.3*	14.1*	14.1*	12.0*	12.0*											10.0*	10.0*	59' 4"	
-20	SW																														

Height Can be slewed through 360° In longitudinal position of undercarriage Max. reach \* Limited by hydr. capacity

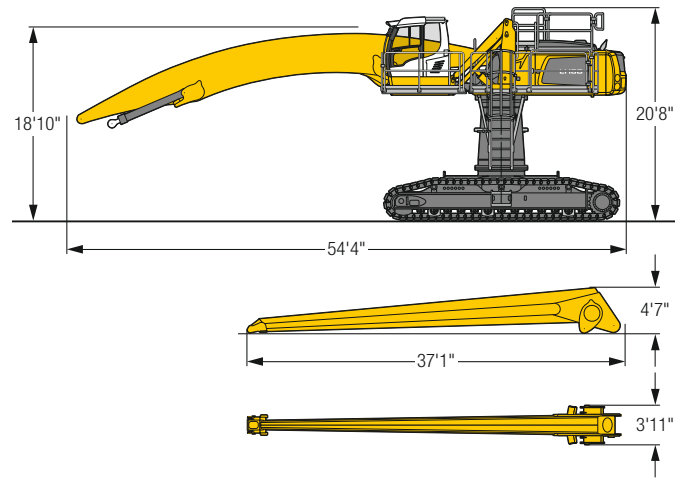
The lift capacities on the stick end without attachment are stated in lb x 1,000 and can be slewed through 360° on a firm, level supporting surface. Capacities are valid for 30" wide flat pads. Indicated loads based on the ISO 10567 standard and do not exceed 75% of tipping or 87% of hydraulic capacity. The lift capacity values indicated are attained at the corresponding operating temperature. This operating temperature is ensured by continuous movement of the boom. Weights of fitted attachments (grabs, load hooks, etc.) and load accommodation attachment are to be deducted from the lift capacity values. The lift capacity of the unit is limited by its stability, the lifting capability of the hydraulic elements, or the maximum permissible lifting capacity of the load hook.

# LH 60 C HR – Equipment AG22

## Port – Kinematic 2D



### Dimensions



### Operating weight and ground pressure

The operating weight includes the basic machine with turret 67°, hydr. cab elevation, angled boom 41°, straight stick 35°5" and grab for loose material GMZ 80 / 4.58 yd<sup>3</sup>.

Weight	169,800 lb
Pad width	30"
Ground pressure	on request

ft	Undercarriage	20 ft		25 ft		30 ft		35 ft		40 ft		45 ft		50 ft		55 ft		60 ft		65 ft		70 ft		75 ft		ft in				
		SW	SW	SW	SW	SW	SW	SW	SW	SW	SW	SW	SW	SW	SW	SW	SW	SW	SW	SW	SW	SW	SW	SW	SW	SW	SW			
80	SW									14,1*	14,1*															15,3*	15,3*	32' 2"		
75	SW									17,1*	17,1*	14,2*	14,2*														13,5*	13,5*	40' 10"	
70	SW									17,2*	17,2*	15,9*	15,9*	13,9*	13,9*												12,5*	12,5*	47' 4"	
65	SW									15,7*	15,7*	15,7*	15,7*	14,7*	14,7*	13,0*	13,0*										11,8*	11,8*	52' 6"	
60	SW									15,7*	15,7*	14,6*	14,6*	14,6*	14,6*	13,7*	13,7*	11,5*	11,5*								11,0*	11,0*	60' 6"	
55	SW									15,7*	15,7*	14,6*	14,6*	14,6*	14,6*	13,7*	13,7*	12,9*	12,9*								10,8*	10,8*	63' 6"	
50	SW									17,2*	17,2*	15,9*	15,9*	14,7*	14,7*	13,7*	13,7*	12,9*	12,9*	11,8*	11,8*						10,7*	10,7*	65' 11"	
45	SW									17,6*	17,6*	16,1*	16,1*	14,9*	14,9*	13,8*	13,8*	13,0*	13,0*	12,2*	12,2*						10,7*	10,7*	68"	
40	SW									18,0*	18,0*	16,4*	16,4*	15,1*	15,1*	14,0*	14,0*	13,1*	13,1*	12,3*	12,3*						10,7*	10,7*	69' 7"	
35	SW									20,0*	20,0*	18,6*	18,6*	16,8*	16,8*	15,4*	15,4*	14,2*	14,2*	13,2*	13,2*	12,3*	12,3*	11,5*	11,5*		10,8*	10,8*	70' 10"	
30	SW									29,2*	29,2*	24,8*	24,8*	21,6*	21,6*	19,2*	19,2*	17,3*	17,3*	15,7*	15,7*	14,5*	14,5*	13,4*	13,4*	12,4*	12,4*	11,6*	11,6*	71' 7"
25	SW									31,2*	31,2*	26,1*	26,1*	22,5*	22,5*	19,8*	19,8*	17,7*	17,7*	16,1*	16,1*	14,7*	14,7*	13,5*	13,5*	12,5*	12,5*	11,6*	11,6*	72' 1"
20	SW	38,9*	38,9*	31,2*	31,2*	26,1*	26,1*	22,5*	22,5*	19,8*	19,8*	17,7*	17,7*	16,1*	16,1*	14,7*	14,7*	13,5*	13,5*	12,5*	12,5*	11,6*	11,6*				11,2*	11,2*	72' 1"	
15	SW	42,0*	42,0*	33,1*	33,1*	27,4*	27,4*	23,4*	23,4*	20,5*	20,5*	18,2*	18,2*	16,4*	16,4*	14,9*	14,9*	13,7*	13,7*	12,6*	12,6*	11,5*	11,5*				11,0*	11,0*	72' 4"	
10	SW	28,9*	28,9*	34,7*	34,7*	28,5*	28,5*	24,2*	24,2*	21,0*	21,0*	18,6*	18,6*	16,7*	16,7*	15,1*	15,1*	13,8*	13,8*	12,6*	12,6*	11,4*	11,4*				10,9*	10,9*	72' 1"	
5	SW	19,1*	19,1*	35,8*	35,8*	29,3*	29,3*	24,8*	24,8*	21,5*	21,5*	18,9*	18,9*	16,9*	16,9*	15,2*	15,2*	13,8*	13,8*	12,5*	12,5*	11,2*	11,2*				10,8*	10,8*	71' 6"	
0	SW	16,8*	16,8*	29,4*	29,4*	29,7*	29,7*	25,1*	25,1*	21,7*	21,7*	19,1*	19,1*	17,0*	17,0*	15,2*	15,2*	13,7*	13,7*	12,3*	12,3*	10,8*	10,8*				10,6*	10,6*	70' 7"	
-5	SW	16,6*	16,6*	25,9*	25,9*	29,6*	29,6*	25,1*	25,1*	21,7*	21,7*	19,0*	19,0*	16,8*	16,8*	15,0*	15,0*	13,4*	13,4*	11,9*	11,9*						10,4*	10,4*	69' 4"	
-10	SW	17,2*	17,2*	24,9*	24,9*	28,9*	28,9*	24,6*	24,6*	21,3*	21,3*	18,7*	18,7*	16,5*	16,5*	14,6*	14,6*	12,9*	12,9*	11,1*	11,1*						10,0*	10,0*	67' 7"	
-15	SW	18,2*	18,2*	25,0*	25,0*	27,4*	27,4*	23,6*	23,6*	20,4*	20,4*	17,9*	17,9*	15,7*	15,7*	13,8*	13,8*	11,9*	11,9*	9,8*	9,8*						9,6*	9,6*	65' 6"	
-20	SW			25,8*	25,8*	25,2*	25,2*	21,8*	21,8*	19,0*	19,0*	16,6*	16,6*	14,5*	14,5*	12,5*	12,5*	10,3*	10,3*								10,3*	10,3*	60' 1"	
-25	SW							19,2*	19,2*	16,8*	16,8*	14,6*	14,6*															13,5*	13,5*	47' 8"

Height Can be slewed through 360° In longitudinal position of undercarriage Max. reach \* Limited by hydr. capacity

The lift capacities on the stick end without attachment are stated in lb x 1,000 and can be slewed through 360° on a firm, level supporting surface. Capacities are valid for 30" wide flat pads. Indicated loads based on the ISO 10567 standard and do not exceed 75% of tipping or 87% of hydraulic capacity. The lift capacity values indicated are attained at the corresponding operating temperature. This operating temperature is ensured by continuous movement of the boom. Weights of fitted attachments (grabs, load hooks, etc.) and load accommodation attachment are to be deducted from the lift capacity values. The lift capacity of the unit is limited by its stability, the lifting capability of the hydraulic elements, or the maximum permissible lifting capacity of the load hook.

# Liebherr ERC-System

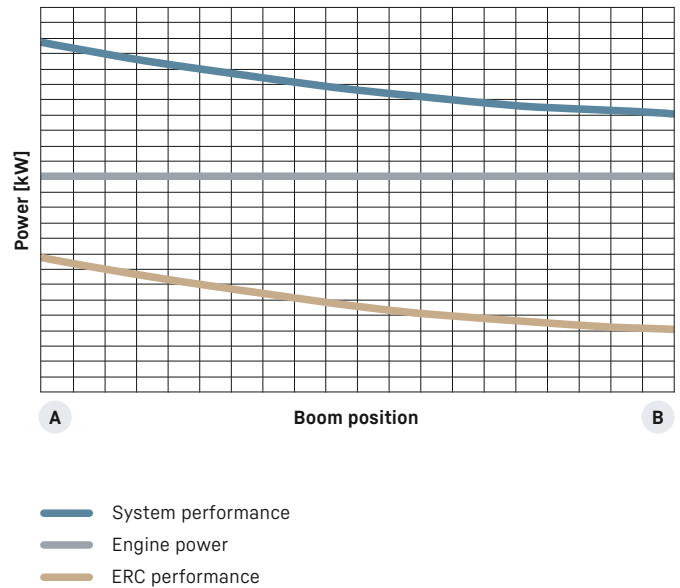
## More performance, less consumption

Lowering the equipment stores energy in the ERC-System. This stored energy is then made available to the machine to provide additional engine power. When the equipment is raised the stored energy is released and is reflected in powerful, homogeneous operating cycles. The result is a clear energy saving – and, at the same time, even greater performance.

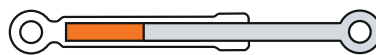
## System performance

The energy recovery cylinder is a storage system which is independent of the electric motor or diesel engine. The system performance of material handling machines fitted with the ERC-System is composed of the installed engine power and the energy recovery cylinder. When the equipment is raised, energy from the ERC-System is supplied in addition to the power from the engine.

## ERC-System



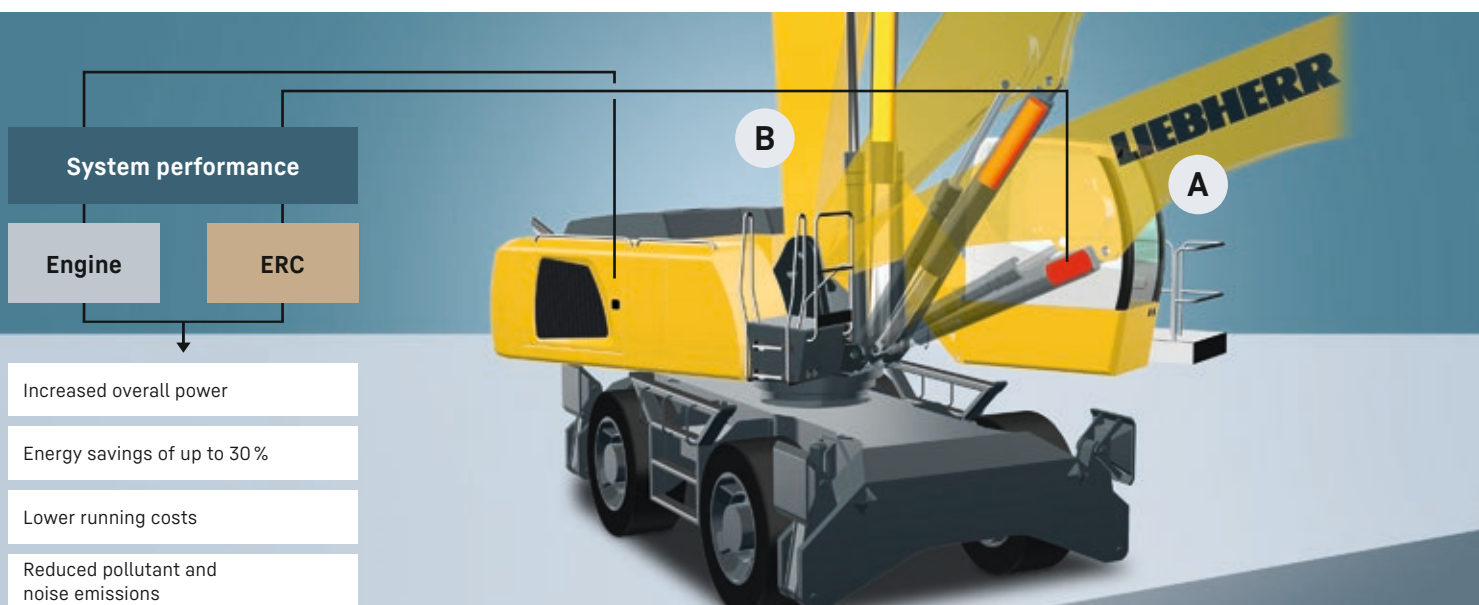
**B** 1. Equipment fitting raised / energy released



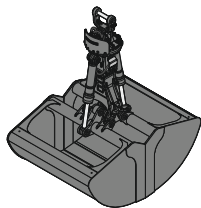
2. Lower equipment fitting / store energy  
4. Raise equipment fitting / release energy



**A** 3. Equipment fitting lowered / energy stored



# Attachments



## Grab for loose material

Shells for loose material with cutting edge (without teeth)

Grab model GMZ 50														
Width of shells	ft in	4'7"	5'3"	5'11"										
Capacity	yd <sup>3</sup>	4.58	5.23	5.88										
Max. material density	lb/yd <sup>3</sup>	2,697	2,697	1,854										
Weight	lb	5,765	6,065	6,230										
Grab model GMZ 80														
Shell specification		Standard							Wide					
Width of shells	ft in	4'3"	4'11"	5'9"	6'7"	7'3"	8'6"	9'10"	11'2"	4'3"	4'11"	5'7"	6'7"	7'3"
Capacity	yd <sup>3</sup>	3.92	4.58	5.23	5.88	6.54	7.85	9.15	10.46	2.62	3.01	3.53	3.92	4.45
Weight	lb	5,535	5,785	6,120	6,435	7,175	7,695	8,200	8,720	5,095	5,290	5,590	5,885	6,380



## Multi-tine grab

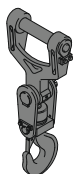
closed, heart-shaped

Grab model GMM 80-5 (5 tines)					
Capacity	yd <sup>3</sup>	1.18	1.44	1.83	2.22
Weight	lb	5,235	5,380	5,690	6,020
Grab model GMM 120-5 (5 tines)					
Capacity	yd <sup>3</sup>	2.22	2.62	3.27	3.92
Weight	lb	6,550	6,855	7,200	8,090



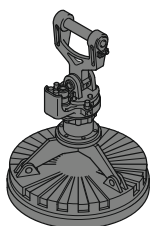
## Wood grab

Grab model GMH 50 - round overlapping (horizontal cylinders)							
Size	yd <sup>2</sup>	2.63	2.99	2.99	3.35	3.83	4.31
Cutting width	ft in	3'3"	2'10"	3'3"	3'3"	3'3"	3'3"
Height of grab, closed	ft in	7'7"	7'11"	7'11"	8'3"	8'8"	9'3"
Weight	lb	4,705	4,640	4,805	4,980	5,115	5,235
Grab model GMH 80 - round overlapping (vertical cylinders)							
Size	yd <sup>2</sup>	1.55	1.91	2.27	2.63	2.99	
Cutting width	ft in	2'10"	2'10"	2'10"	2'10"	2'10"	
Height of grab, closed	ft in	9'2"	9'6"	9'9"	10'1"	10'4"	
Weight	lb	4,750	4,885	4,980	5,060	5,150	



## Load hook

Max. load	lb	27,560
Height with suspension	ft in	3'1"
Weight	lb	300





## Magnet devices / lifting magnets


Generator	kW	13/20/25
Electromagnet with suspension		
Power	kW	12.8/17.8
Diameter of magnet	ft in	5'7"
Weight	lb	7,230*


\* only magnet plate

# Equipment

	60 M	60 C	60 M HR	60 C HR
 <b>Undercarriage</b>				
Track pads, variants		+		+
Individual control outriggers	+		•	
Three-piece chain guide		•		•
Shuttle axle lock, automatic	•		•	
Outrigger monitoring system	+		+	
Tires, variants	+		+	
Trailing cable <sup>2)</sup>	•	•	•	•
Protection for piston rods, outriggers	+		+	
Two storage compartments <sup>1)</sup>	•			
One storage compartment <sup>2)</sup>	•			
Cable reel system <sup>2)</sup>	+		+	+

	60 M	60 C	60 M HR	60 C HR
 <b>Uppercarriage</b>				
Uppercarriage right side light, 1 piece, LED	•	•	•	•
Uppercarriage rear light, 2 pieces, LED	+	+		
Uppercarriage underneath rear light, 1 piece, LED			+	+
Refuelling system with filling pump <sup>1)</sup>	+	+	+	+
Railing on uppercarriage	+	+	•	•
Generator	+	+	+	+
Main battery switch for electrical system	•	•	•	•
Amber beacon, at uppercarriage, LED double flash	+	+	+	+
Protection for headlights	+	+		
Protection for rear lights	+	+		
Tool equipment, extended	•	•	•	•

	60 M	60 C	60 M HR	60 C HR
 <b>Hydraulic system</b>				
Electronic pump regulation	•	•	•	•
Liebherr hydraulic oil from -4°F to +104°F	•	•	•	•
Liebherr hydraulic oil, biologically degradable	+	+	+	+
Liebherr hydraulic oil, specially for warm or cold regions	+	+	+	+
Magnetic rod in hydraulic tank	•	•	•	•
Bypass filter	+	+	+	+
Preheating hydraulic oil	+	+	+	+

	60 M	60 C	60 M HR	60 C HR
 <b>Engine</b>				
Fuel anti-theft device <sup>1)</sup>	+	+	+	+
Air pre-filter with dust discharge <sup>1)</sup>	+	+	+	+
Automatic engine shut-down (time adjustable)	+	+	+	+
Preheating fuel <sup>1)</sup>	+	+	+	+
Preheating coolant <sup>1)</sup>	+	+	+	+
Preheating engine oil* <sup>1)</sup>	+	+	+	+

	60 M	60 C	60 M HR	60 C HR
 <b>Cooling system</b>				
Reversible fan drive	+	+	+	+
Protective grid in front of cooler intake	•	•	•	•



## Cab

	60 M	60 C	60 M HR	60 C HR
Stabilizer, control lever, left console	+		+	
Stabilizer, proportional control on left joystick	•		•	
Cab lights rear, LED	+	+	+	+
Cab lights front, LED	+	+	+	+
Cab lights front, LED (under rain cover)	•	•	•	•
Armrest adjustable	•	•	•	•
Circular bubble level	+	+	•	•
Slewing gear brake Comfort, button on the left or right joystick	+	+	+	+
Driver profile, personalized (max. 5 drivers)	+	+	+	+
Operator's seat Comfort	•	•	•	•
Operator's seat Premium	+	+	+	+
Driving alarm				
(acoustic signal is emitted during travel, can be switched ON/OFF)	+	+	+	+
Fire extinguisher	+	+	+	+
Footrest	+	+	+	+
Horn, button on left joystick	•	•	•	•
Joystick steering	•		•	
Joystick and wheel steering (slim version)	+	+	+	+
Cab elevation, hydraulic (LHC)	•	•	•	•
Cab elevation, hydraulic with double parallelogram (LHC-D)			+	+
Cab elevation, rigid (LFC)	+	+		
Automatic air conditioning	•	•	•	•
Wheel steering (slim version)	+		+	
LiDAT, vehicle fleet management	•	•	•	•
Engine shut-down (emergency stop) cab <sup>2)</sup>	•	•	•	•
Proportional control	•	•	•	•
Radio Comfort, control via display with handsfree set	+	+	+	+
Preparation for radio installation	•	•	•	•
Back-up alarm				
(acoustic signal is emitted traveling backward, can not be switched off)	+		+	
Amber beacon, on cab, LED double flash	+	+	+	+
Windows made from impact-resistant laminated safety glass	+	+	•	•
Windscreen wiper, roof	+	+	+	+
Windshield wiper, entire windshield	•	•	•	•
FOPS top guard	+	+	+	+
FGPS front guard, tiltable	+	+	+	+
Sun visor	+	+	+	+
Stationary air-conditioning <sup>2)</sup>	•	•	•	•
Left control console, folding	•	•	•	•



## Equipment

	60 M	60 C	60 M HR	60 C HR
Boom lights, 2 pieces, LED	•	•	•	•
Stick lights, 2 pieces, LED	•	•	•	•
Boom shutoff (retract/extend), electronically	+	+	•	•
Equipment with electro-hydraulic end position control	•	•	•	•
AutoLift	+	+	+	+
Pressure warning mechanism hoist cylinder	•	•	•	•
ERC system	•	•	•	•
Filter system for attachment	+	+	+	+
Electronic lift limitation	+	+	+	+
Boom cylinder cushioning	•	•	•	•
Stick camera (with separate monitor), bottom side, with protection	+	+	+	+
Load torque limitation	+	+	+	+
Liebherr multi coupling system	+	+	+	+
Pipe fracture safety valves hoist cylinders	•	•	•	•
Pipe fracture safety valves stick cylinders	•	•	•	•
Quick coupling system MH 110B	+	+	+	+
Protection for piston rod, energy recovering cylinder	+	+	+	+
Protection for piston rods, hoist cylinder	+	+	+	+
Stick shutoff (retract), electronically	•	•	•	•
Stick shutoff (retract/extend), electronically	+	+	•	•
Retract stick without pressure	•	•	•	•
Sticks with quick coupling	+	+	+	+
Overload warning device	+	+	+	+



## Complete machine

	60 M	60 C	60 M HR	60 C HR
<b>Lubrication</b>				
Lubrication undercarriage, manually - decentralized (grease points)	•			
Lubrication undercarriage, manually - centralized (one grease point)	+		•	
Central lubrication system for uppercarriage and equipment, automatically	•	•	•	•
Central lubrication system for undercarriage, automatically	+		+	
Centralized lubrication extended for attachment	+	+	+	+
<b>Special coating</b>				
Special coating, variants	+	+	+	+
<b>Monitoring</b>				
Rear view monitoring with camera	•	•	•	•
Side view monitoring with camera	•	•	•	•

• = Standard, + = Option

\* = country-dependent, <sup>1)</sup> not with electric drive, <sup>2)</sup> only with electric drive

Options and /or special equipment, supplied by vendors other than Liebherr, are only to be installed with the knowledge and approval of Liebherr in order to retain warranty.

# The Liebherr Group



## Global and independent: more than 70 years of success

Liebherr was founded in 1949. With the development of the world's first mobile tower crane, Hans Liebherr laid the foundations of a successful family-run company which today comprises more than 150 companies on all continents with over 50,000 employees. The holding company of the Group is Liebherr-International AG in Bulle (Switzerland), whose shareholders are exclusively members of the Liebherr family.

## Technology leadership and pioneering spirit

Liebherr regards itself as a pioneer. This spirit has enabled the company to make a decisive contribution to the technological history of many industries. Today, employees around the world still share the courage of the company founder to take new paths. They are all united by a passion for technology and fascinating products and the determination to perform outstanding work for their customers.

## Widely diversified product program

Not only is Liebherr one of the biggest construction machine manufacturers in the world, it also provides high-quality, user-oriented products and services in a wide range of other areas. The product program includes the segments earthmoving machinery, material handling technology, deep foundation machines, mining, mobile and crawler cranes, tower cranes, concrete technology, maritime cranes, aerospace and transportation systems, gear technology and automation systems, refrigerators and freezers, components and hotels.

## Customized solutions and maximum customer value

Liebherr solutions are characterized by maximum precision, outstanding implementation and exceptional longevity. Its mastery of key technologies enables the company to offer its customers customized solutions. For Liebherr, customer focus does not end with the product; it also encompasses a wide range of services that make a real difference.

[www.liebherr.us](http://www.liebherr.us)

## WARNING

Breathing diesel engine exhaust exposes you to chemicals known to the State of California to cause cancer and birth defects or other reproductive harm.

- Always start and operate the engine in a well-ventilated area.
- If in an enclosed area, vent the exhaust to the outside.
- Do not modify or tamper with exhaust system.
- Do not idle the engine except as necessary.

For more information go to [www.P65warnings.ca.gov/diesel](http://www.P65warnings.ca.gov/diesel).

## WARNING

This product can expose you to chemicals including lead and lead compounds, which are known to the State of California to cause cancer and birth defects or other reproductive harm.

For more information go to [www.P65warnings.ca.gov](http://www.P65warnings.ca.gov).

## Liebherr USA, Co.

Construction Equipment Division • 4800 Chestnut Avenue • Newport News, VA 23607, USA • Phone +1 (757) 240 4250  
[construction.usa@liebherr.com](mailto:construction.usa@liebherr.com) • [www.liebherr.us](http://www.liebherr.us) • [www.facebook.com/LiebherrConstruction](https://www.facebook.com/LiebherrConstruction)