

---

# WKb 4611

---

Wine storage fridge  
Barrique

# LIEBHERR

Freestanding



Freestanding

**LIEBHERR**

# WKb 4611

Wine storage fridge  
Barrique



Wine



Energy consump. in 365 days/24 h	175 kWh
Max. No. of Bordeaux bottles 0.75 Ltr	195 <sup>1</sup>
Climate rating	SN-ST (+10 °C to +38 °C)
Frequency / voltage	50 Hz / 220-240 V~
Connection Rating	1.0 A
Door	Full door, black
Side walls	black
Exterior dimensions in cm (h / w / d)	184.2 / 65.7 / 66.3
<b>Controls</b>	
Type of Control	MagicEye on front, key electronic Digital temperature display
Alarm in case of malfunction	visual and acoustic
Door alarm	acoustic
Child proof function	yes
<b>Features</b>	
Temperature zones	1
Temperature range	+5 °C to +20 °C
Adjustable cooling circuits	1
Forced air system	Convection cooling, fresh air supply via FreshAir activated charcoal filter
Interior light	Glühlampe
Handle	Ergonomically designed stmline handle, black
Design	HardLine-Design
Shelf material	Adjustable beech wood shelves
Storage shelves	7
Door hinges	Reversible door hinging, right
Lock	fitted
EAN-Nr.	9550000011427

<sup>1</sup> These models are only bound for storing wine. Maximum DIN norm bordeaux bottles capacity (0.75 l) as per norm NF H 35-124 (H: 300.5 mm, Ø 76.1 mm)

## Features

---



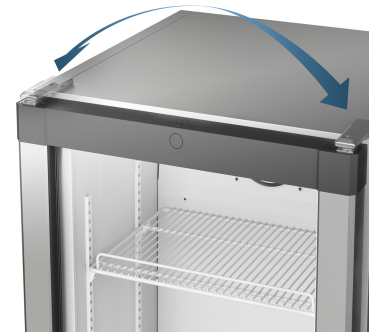
**Door alarm**

The audible door alarm alerts the user if the door has been open for longer than 60 seconds for safe protection of the food.



**Child lock**

The child lock is programmed so as to prevent the appliance being inadvertently switched off. A symbol in the MagicEye indicates when the child lock is switched on.



**Reversible door hinges**

It is possible to change the door hinge on the appliance. The reversible door hinges permit optimum use of the appliance wherever it is located.



**Wine storage cabinets**

Wine storage fridges provide similar conditions to wine cellars. A constant temperature prevails throughout the interior in these appliances. It can be set to between +5 °C and +20 °C as required. Wine storage fridges are ideal for the long-term storage and maturing of wines. Depending on the set temperature, these appliances can however also store more ample stocks of wine at serving temperature. In the GrandCru and Vinothek series, Liebherr offers multi-temperature wine fridge in different sizes and with different features.



**Activated charcoal filter**

Environmental odours can affect wines stored for longer periods. In the wine fridge, perfect air quality is ensured through an easily-replaceable FreshAir activated charcoal filter.



**Low-vibration storage**

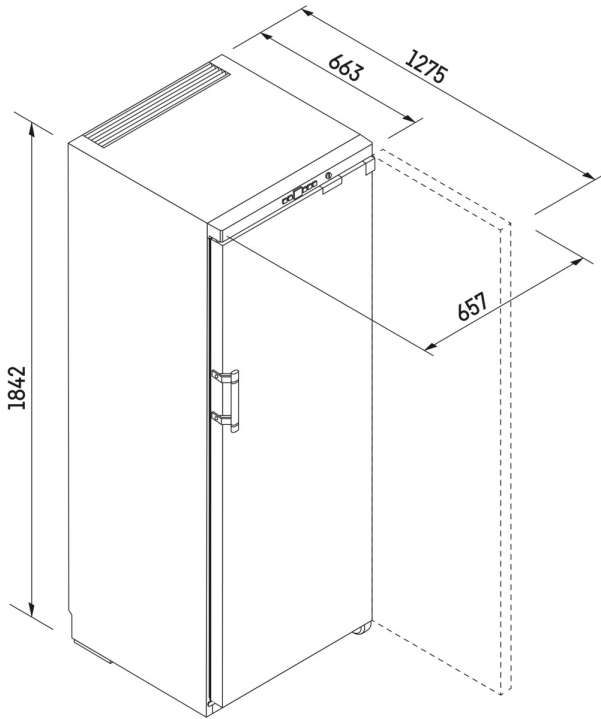
Even slight vibrations can disturb the wine maturing process and prevent the tannins from settling. Specially developed, exceptionally low-vibration compressors in all the wine fridge mean that the wine is optimally stored.

Freestanding WKb 4611

**LIEBHERR**

# Technical drawing

---



---

Products and their details are staged for advertising purposes. Whilst every effort is made to ensure all specifications and information in this flyer are accurate, Liebherr reserves the right to make changes without notification. Where actual appliance measurements, specifications, and ratings are crucial, we recommend that the actual appliance installation instructions that accompany each appliance be checked. Liebherr will not be liable for any damage. (14.11.2024)



[home.liebherr.com](https://home.liebherr.com)