

WTes 5972

Multi-temperature wine cabinet

Vinidor



LIEBHERR

Freestanding

LIEBHERR

WTes 5972

Multi-temperature wine cabinet
Vinidor

← 70 →



Energy consump. in 365 days/24 h	248 / 0.679 kWh ¹
Max. No. of Bordeaux bottles 0.75 Ltr	211 ²
Frequency / voltage	50 Hz / 220-240 V~
Connection Rating	1.0 A
Door	Glass door with stainless steel frame
Side walls	stainless steel
Exterior dimensions in cm (h / w / d)	192 / 70 / 74.2 ³
Controls	
Type of Control	LCD display in the interior, touch electronic
Temperature display	Digital temperature display for both wine zones
Alarm in case of malfunction	visual and acoustic
Door alarm	acoustic
Child proof function	yes
Features	
Temperature zones	2
Temperature range	+5 °C to +20 °C
Adjustable cooling circuits	2
Forced air system	Convection cooling, fresh air supply via FreshAir activated charcoal filter
Interior light	LED lighting permanently on, dimmable
Handle	Aluminium handle with integrated opening mechanism
Design	HardLine-Design
Shelf material	Beech wood fittings
Storage shelves	10
Pull-out shelves on telescopic rails	8
Door hinges	Reversible door hinging
Lock	fitted
EAN-Nr.	9005382191118

¹ To achieve the indicated energy consumption level, the wall spacers provided with the appliance must be used. These increase the appliance depth by approximately 3.5 cm. If the wall spacers are not used, the appliance will remain fully functional, but will have a slightly higher energy consumption level.

² These models are only bound for storing wine. Maximum DIN norm bordeaux bottles capacity (0.75 l) as per norm NF H 35-124 (H: 300.5 mm, Ø 76.1 mm)

Features



Door alarm

The audible door alarm alerts the user if the door has been open for longer than 60 seconds for safe protection of the food.



Child lock

The child lock is programmed so as to prevent the appliance being inadvertently switched off. A symbol in the MagicEye indicates when the child lock is switched on.



Reversible door hinges

The appliances are factory fitted with door hinges on the right. The reversible door hinges permit optimum use of the appliance wherever it is located.



Vinidor range

With two wine safes that can be precisely regulated from +5 °C to +20 °C independently of one another, this model offers maximum flexibility by allowing the simultaneous storage of two different types of wine at their optimum serving temperatures. These appliances also provide the ideal climate conditions for long-term wine storage.



Activated charcoal filter

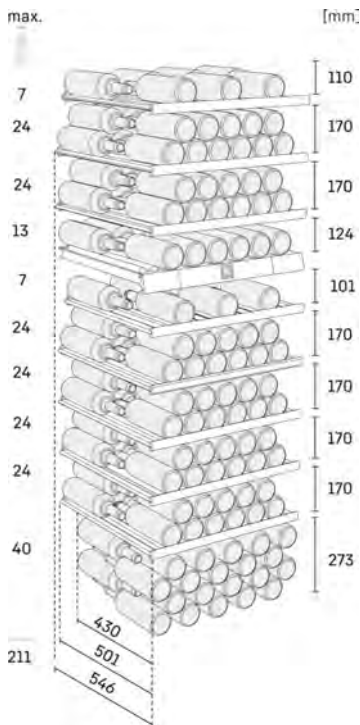
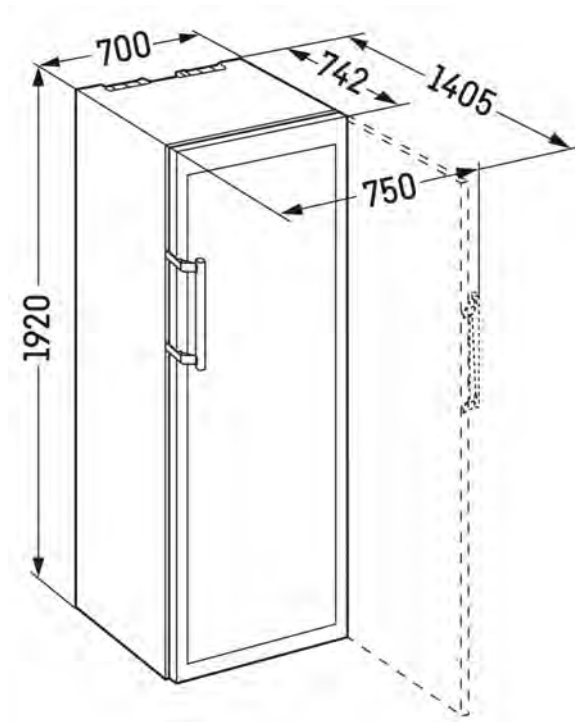
Environmental odours can affect wines stored for longer periods. In the wine cabinets, perfect air quality is ensured through an easily-replaceable FreshAir activated charcoal filter.



Presentation shelves

The presentation shelf sets off fine wines to perfection and keeps bottles that have already been opened at the optimum temperature. Up to 6 wine bottles can be placed upright on the flexible shelf. Wine bottles can be stored lying down either behind or at the side.

Technical drawing



Products and their details are staged for advertising purposes. Whilst every effort is made to ensure all specifications and information in this flyer are accurate, Liebherr reserves the right to make changes without notification. Where actual appliance measurements, specifications, and ratings are crucial, we recommend that the actual appliance installation instructions that accompany each appliance be checked. (01.12.2022)

